

# WASHER INSTALLATION INSTRUCTIONS

## Table of Contents

|                                      |   |
|--------------------------------------|---|
| WASHER SAFETY .....                  | 1 |
| INSTALLATION REQUIREMENTS.....       | 2 |
| Tools and Parts.....                 | 2 |
| Location Requirements .....          | 3 |
| Drain System .....                   | 4 |
| Electrical Requirements .....        | 5 |
| INSTALLATION INSTRUCTIONS.....       | 5 |
| Connect Drain Hose.....              | 6 |
| Connect Inlet Hoses.....             | 7 |
| Level Washer .....                   | 8 |
| Complete Installation Checklist..... | 9 |

# INSTRUCTIONS D'INSTALLATION DE LA LAVEUSE

## Table des matières

|  |    |
|--|----|
| SÉCURITÉ DE LA LAVEUSE .....                                       | 10 |
| EXIGENCES D'INSTALLATION .....                                     | 10 |
| Outillage et pièces .....  | 10 |
| Exigences d'emplacement .....                                      | 11 |
| Système de vidange .....   | 13 |
| Spécifications électriques.....                                    | 13 |
| INSTRUCTIONS D'INSTALLATION.....                                   | 14 |
| Raccordement du tuyau de vidange.....                              | 15 |
| Raccordement des tuyaux d'arrivée d'eau .....                      | 16 |
| Établissement de l'aplomb de la laveuse.....                       | 18 |
| Liste de vérification pour l'achèvement<br>de l'installation ..... | 19 |

Para obtener acceso al instrucciones de instalación en español, o para obtener información adicional acerca de su producto, visite: [www.whirlpool.com](http://www.whirlpool.com)

## INSTALLATION NOTES

Date of purchase: \_\_\_\_\_  
Date of installation: \_\_\_\_\_  
Installer: \_\_\_\_\_  
Model number: \_\_\_\_\_  
Serial number: \_\_\_\_\_

## NOTES SUR L'INSTALLATION

Date d'achat : \_\_\_\_\_  
Date d'installation : \_\_\_\_\_  
Installateur : \_\_\_\_\_  
Numéro de modèle : \_\_\_\_\_  
Numéro de série : \_\_\_\_\_

## WASHER SAFETY

### Your safety and the safety of others are very important.

We have provided many important safety messages in this manual and on your appliance. Always read and obey all safety messages.



This is the safety alert symbol.

This symbol alerts you to potential hazards that can kill or hurt you and others.

All safety messages will follow the safety alert symbol and either the word "DANGER" or "WARNING."

These words mean:

**⚠ DANGER**

You can be killed or seriously injured if you don't immediately follow instructions.

**⚠ WARNING**

You can be killed or seriously injured if you don't follow instructions.

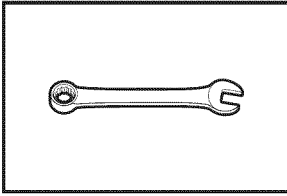
All safety messages will tell you what the potential hazard is, tell you how to reduce the chance of injury, and tell you what can happen if the instructions are not followed.

# INSTALLATION REQUIREMENTS

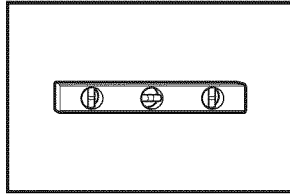
## Tools and Parts

Gather required tools and parts before starting installation.

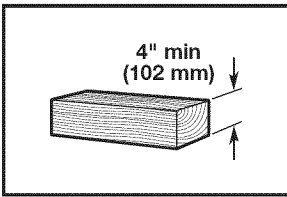
### Tools needed:



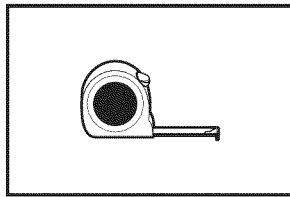
Adjustable or open end wrenches 1/2" (13 mm) and 9/16" (14 mm)



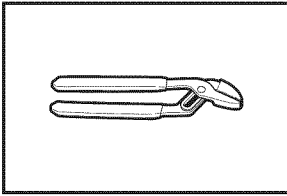
Level



Wood block

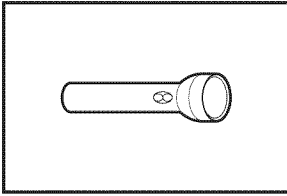


Ruler or measuring tape

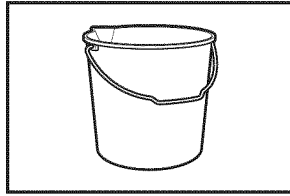


Pliers that open to 1 7/16" (39.5 mm)

### Optional tools:

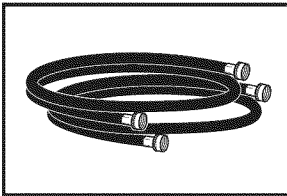


Flashlight

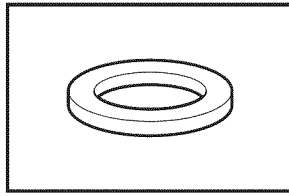


Bucket

### Parts needed: (Not supplied with washer)



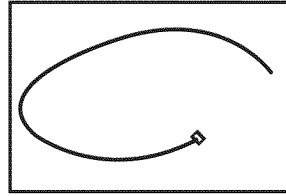
Water inlet hoses (2)



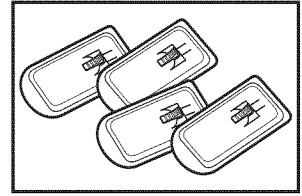
Flat inlet hose washers (4)

### Parts supplied:

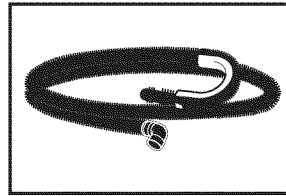
**NOTE:** All parts supplied for installation are in the washer basket.



Cable tie



Transport bolt hole plugs (4)



Drain hose with clamp and form (may be shipped unassembled)

### Available Accessories:

An optional matching pedestal is available for your washer. Please contact your retailer for ordering information, or see the "Assistance or Service" page on the back of your "Use and Care Guide".

### Alternate parts: (Not supplied with washer)

Your installation may require additional parts. To order, please refer to toll-free numbers on the back page of your "Use and Care Guide".

### If you have:

Overhead sewer

1" (25 mm) standpipe

Drain hose too short

Lint clogged drain

Floor drain system

### You will need:

Standard 20 gal. (76 L) 39" (990 mm) tall drain tub or utility sink, sump pump and connectors (available from local plumbing suppliers)

2" (51 mm) diameter to 1" (25 mm) diameter Standpipe Adapter Part Number 3363920  
Connector Kit Part Number 285835

Extension Drain Hose Part Number 285863  
Connector Kit Part Number 285835

Drain Protector Part Number 367031  
Connector Kit Part Number 285835

Siphon Break Kit Part Number 285834  
Connector Kit (x2) Part Number 285835  
Extension Drain Hose Part Number 285863

**Alternate Inlet Hoses:** (may be required for some installations, not supplied with washer)

- 8212656RP 10 ft. (3.0 m) Inlet hose, Black EPDM (2 pack)
- 8212641RP 5 ft. (1.5 m) Inlet hose, Black EPDM (2 pack)
- 8212546RP 4 ft. (1.2 m) Inlet hose, Black EPDM (2 pack)
- 8212545RP 5 ft. (1.5 m) Inlet hose, Red and Blue EPDM (2 pack)

- 8212487RP 5 ft. (1.5 m) Nylon braided inlet hose (2 pack)
- 8212638RP 6 ft. (1.8 m) Nylon braided inlet hose, space saving 90° elbow, hypro-blue steel couplings (2 pack)
- 8212637RP 6 ft. (1.8 m) Inlet hose, Black EPDM, space saving 90° elbow, hypro-blue steel couplings (2 pack)

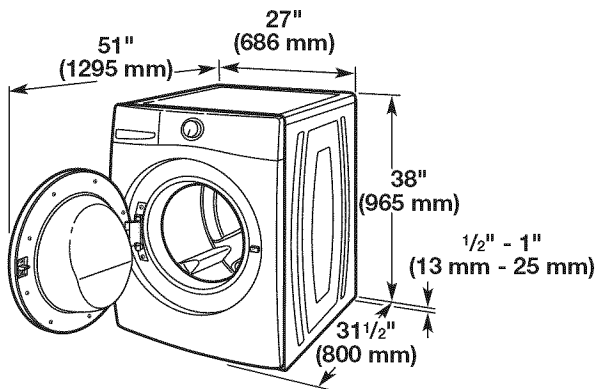
## LOCATION REQUIREMENTS

Proper installation is your responsibility.

### You will need:

- A water heater set to 120° F (49° C).
- A grounded electrical outlet located within 6 ft (1.8 m) of power cord on back of washer.
- Hot and cold water faucets located within 4 ft (1.2 m) of hot and cold water fill valves on washer, and water pressure of 20-100 psi (137.9-689.6 kPa).
- A level floor with maximum slope of 1" (25 mm) under entire washer. Installing on carpet or surfaces with foam backing is not recommended.
- Floor must support washer's total weight (with water and load) of 315 lbs (143 kgs).

**IMPORTANT:** Do not install, store or operate washer where it will be exposed to weather or in temperatures below 32° F (0° C). Water remaining in washer after use may cause damage in low temperatures. See "Washer Care" in your "Use and Care Guide" for winterizing information.

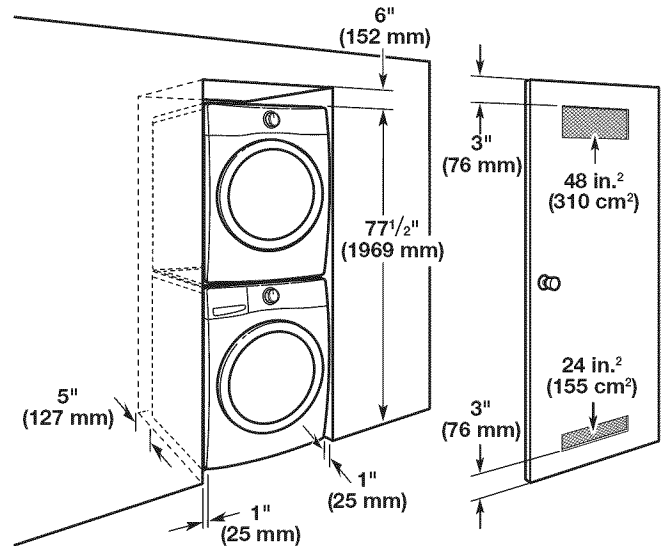


All dimensions show recommended spacing allowed, except for closet door ventilation openings which are the minimum required.

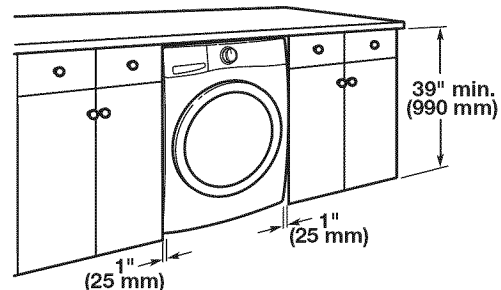
For each arrangement, consider allowing more space for ease of installation and servicing, and spacing for companion appliances and clearances for walls, doors, and floor moldings.

Space must be large enough to allow door to fully open. Add spacing of 1" (25 mm) on all sides of washer to reduce noise transfer. If a closet door or louvered door is installed, top and bottom air openings in door are required.

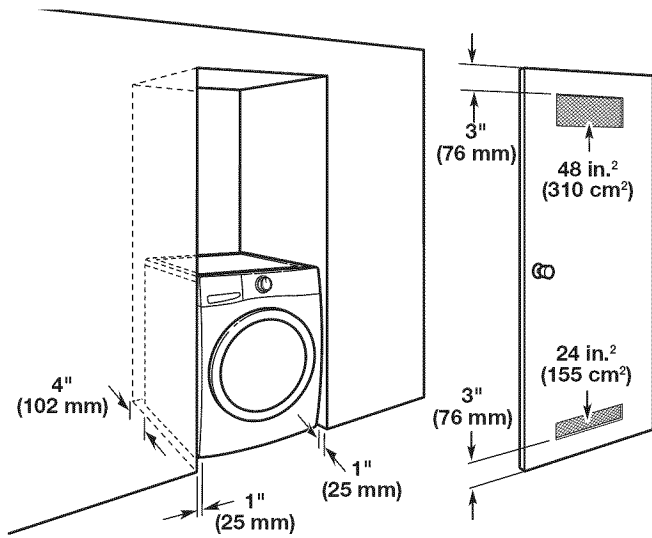
### Recessed area or closet installation (stacked washer and dryer):



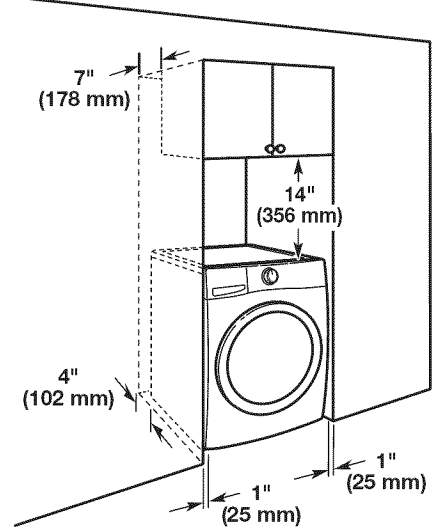
### Custom under counter installation:



## Recessed area or closet installation (washer only):



## Custom cabinet installation:

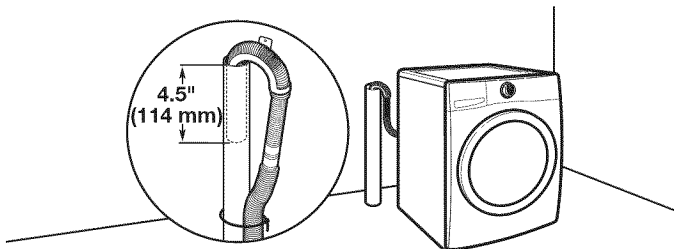


## DRAIN SYSTEM

Drain system can be installed using a floor drain, wall standpipe, floor standpipe, or laundry tub. Select method you need.

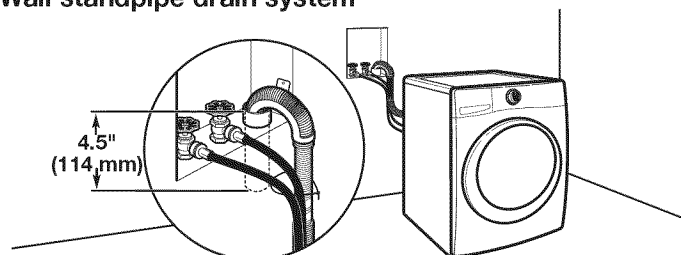
**IMPORTANT:** To avoid siphoning, only 4½" (113 mm) of drain hose should be inside standpipe. Always secure drain hose with cable tie.

### Floor standpipe drain system



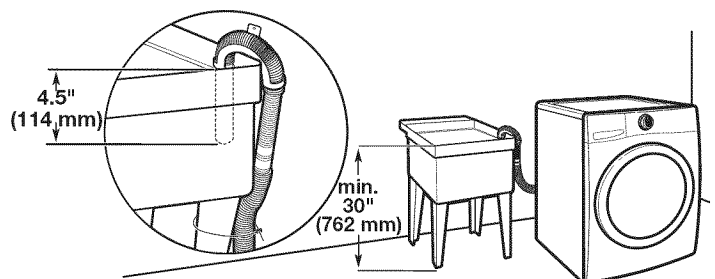
Minimum diameter for a standpipe drain: 2" (51 mm). Minimum carry-away capacity: 17 gal. (64 L) per minute. A 1/4" (6 mm) diameter to 1" (25 mm) diameter Standpipe Adapter Kit is available (Part Number 3363920). Top of standpipe must be at least 30" (762 mm) high; install no higher than 96" (2.44 m) from bottom of washer. If you have an overhead sewer and need to pump higher than 96 inches, a sump pump and associated hardware are needed. See "Alternate Parts".

### Wall standpipe drain system



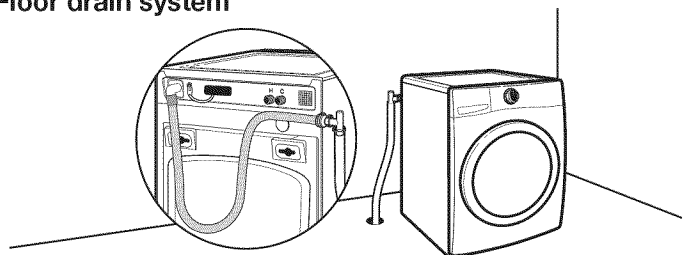
See requirements for floor standpipe drain system.

### Laundry tub drain system



Minimum capacity: 20 gal. (76 L). Top of laundry tub must be at least 30" (762 mm) above floor; install no higher than 96" (2.44 m) from bottom of washer.

### Floor drain system



Floor drain system requires a Siphon Break Kit (Part Number 285834), 2 Connector Kits (Part Number 285835), and an Extension Drain Hose (Part Number 285863) that may be purchased separately. See "Alternate Parts". Minimum siphon break height: 28" (710 mm) from bottom of washer. (Additional hoses may be needed.)

## ELECTRICAL REQUIREMENTS

### ⚠ WARNING



#### Electrical Shock Hazard

Plug into a grounded 3 prong outlet.

Do not remove ground prong.

Do not use an adapter.

Do not use an extension cord.

Failure to follow these instructions can result in death, fire, or electrical shock.

- A 120 volt, 60 Hz., AC only, 15- or 20-amp, fused electrical supply is required. A time-delay fuse or circuit breaker is recommended. It is recommended that a separate circuit breaker serving only this appliance be provided.
- This washer is equipped with a power supply cord having a 3 prong grounding plug.
- To minimize possible shock hazard, the cord must be plugged into a mating, 3 prong, grounding-type outlet, grounded in accordance with local codes and ordinances. If a mating outlet is not available, it is the personal responsibility and obligation of the customer to have the properly grounded outlet installed by a qualified electrician.
- If codes permit and a separate ground wire is used, it is recommended that a qualified electrician determine that the ground path is adequate.
- Do not ground to a gas pipe.
- Check with a qualified electrician if you are not sure the washer is properly grounded.
- Do not have a fuse in the neutral or ground circuit.

### GROUNDING INSTRUCTIONS

#### For a grounded, cord-connected washer:

This washer must be grounded. In the event of a malfunction or breakdown, grounding will reduce the risk of electrical shock by providing a path of least resistance for electric current. This washer is equipped with a cord having an equipment-grounding conductor and a grounding plug. The plug must be plugged into an appropriate outlet that is properly installed and grounded in accordance with all local codes and ordinances.

**WARNING:** Improper connection of the equipment-grounding conductor can result in a risk of electric shock. Check with a qualified electrician or serviceman if you are in doubt as to whether the appliance is properly grounded.

Do not modify the plug provided with the appliance – if it will not fit the outlet, have a proper outlet installed by a qualified electrician.

#### For a permanently connected washer:

This washer must be connected to a grounded metal, permanent wiring system, or an equipment grounding conductor must be run with the circuit conductors and connected to the equipment-grounding terminal or lead on the appliance.

## INSTALLATION INSTRUCTIONS

### ⚠ WARNING

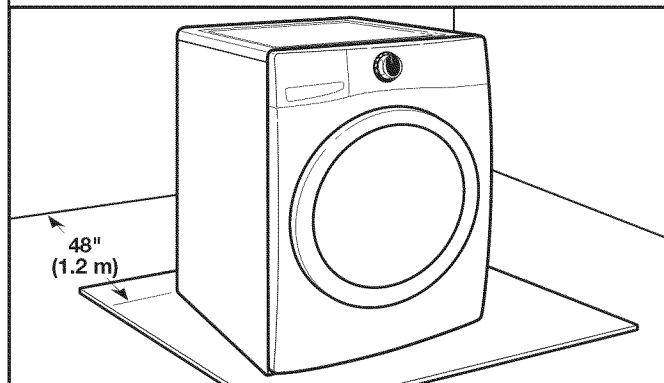
#### Excessive Weight Hazard

Use two or more people to move and install washer.

Failure to do so can result in back or other injury.

**NOTE:** To avoid floor damage, set washer onto cardboard before moving it.

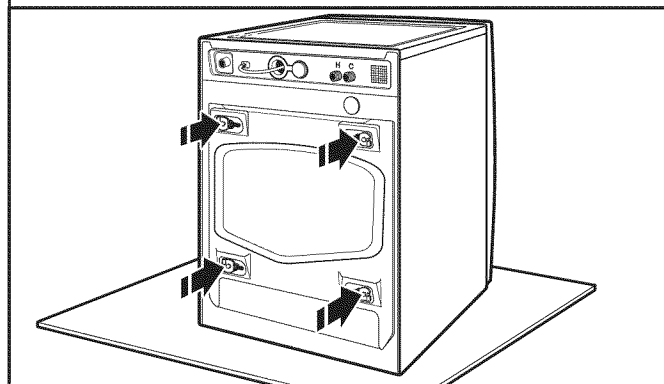
### 1. Move washer



It is necessary to remove all shipping materials for proper operation and to avoid excessive noise from washer.

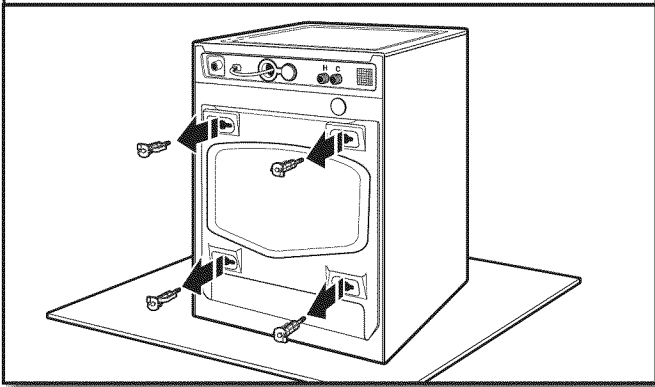
Move washer to within 4 ft (1.2 m) of its final location. It must be in a fully upright position.

### 2. Locate transport bolts



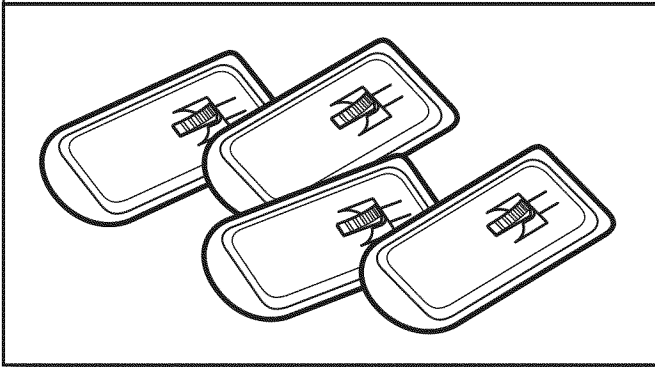
Locate four transport bolts on rear of washer.

### 3. Remove transport bolts from washer



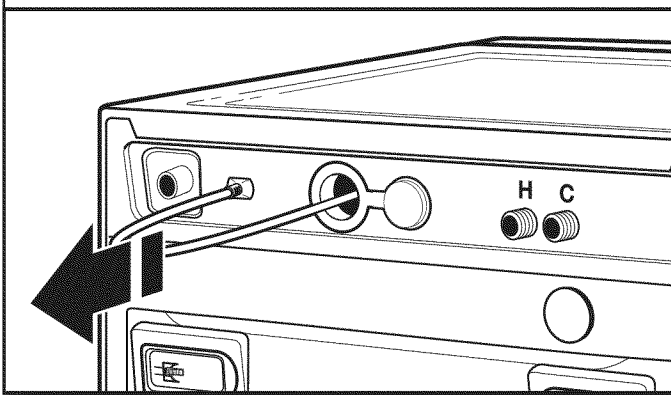
Loosen bolts with a 13 mm (1/2") wrench. Slide each bolt and spacer to center of hole. Pull bolts and plastic spacers from back of washer. Discard bolts and spacers.

### 4. Cover bolt holes with transport bolt hole plugs



Close bolt holes on cabinet back with four transport bolt hole plugs included with washer parts.

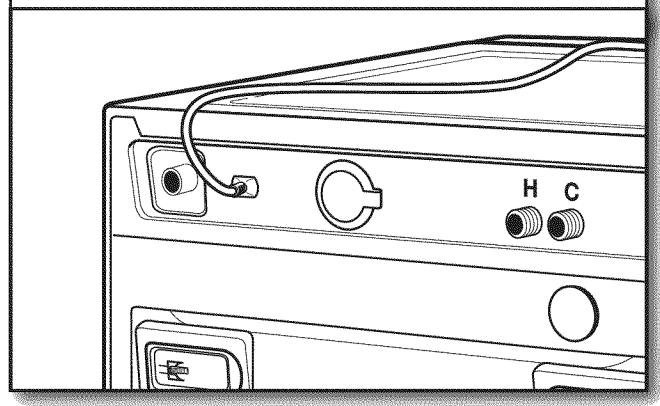
### 5. Remove power cord



Pull power cord through opening in rear panel and close hole with attached cap.

**NOTE:** If washer is transported at later date, call your local service center to avoid suspension and structural damage, a certified technician must properly set up washer for relocation.

### 6. Place power cord over top

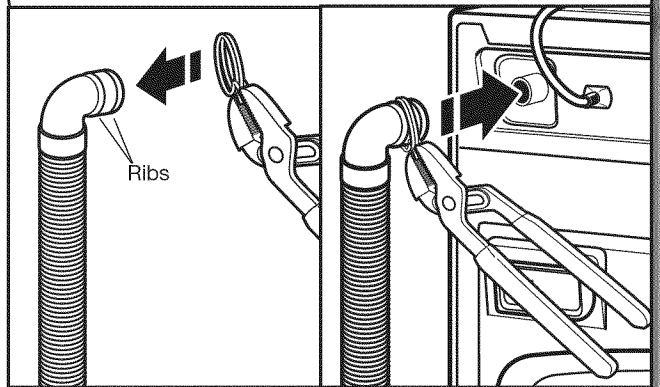


Remove the yellow shipping strap from the cord. Gently place power cord over top of washer to allow free access to back of washer.

**IMPORTANT:** Do not plug washer in until installation has been completed.

## CONNECT DRAIN HOSE

### 7. Attach drain hose to drain port

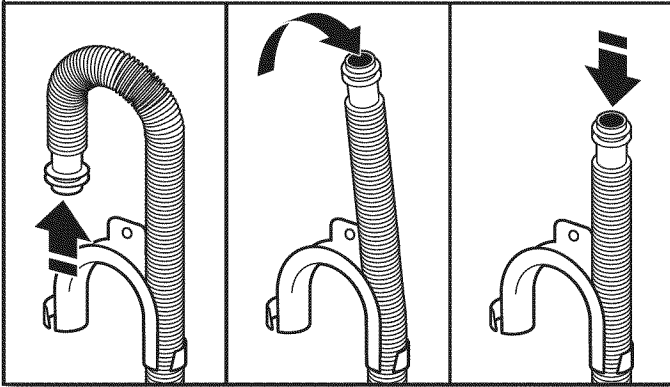


If clamp is not already in place on elbow end of drain hose, squeeze clamp with pliers and slide it over end of hose, centering it between the ribs, as shown. Squeeze clamp with pliers and slide elbow end of drain hose onto drain port and secure with clamp.

For a laundry tub or standpipe drain, go to step 9.

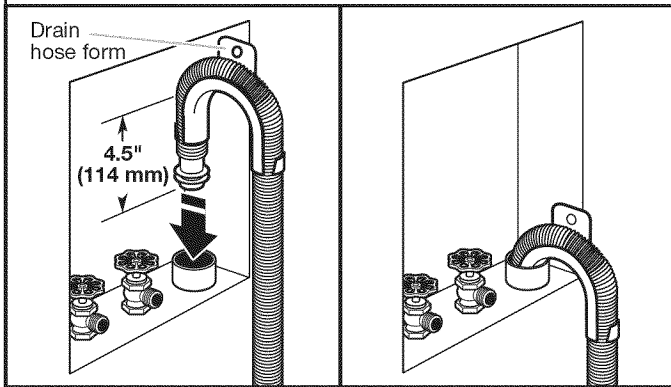
For a floor drain, remove the preinstalled drain hose form as shown in Step 8. You may need additional parts with separate directions. See "Alternate Parts".

## 8. Remove drain hose form (floor drain installations only)



For floor drain installations, you will need to remove the drain hose form from the end of the drain hose. You may need additional parts with separate directions. See "Alternate Parts".

## 9. Place drain hose in standpipe

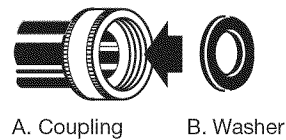


Place hose into standpipe (shown in picture) or over side of laundry tub.

**IMPORTANT:** Only 4½" (114 mm) of drain hose should be inside standpipe; do not force excess hose into standpipe or lay on bottom of laundry tub. Drain hose form must be used.

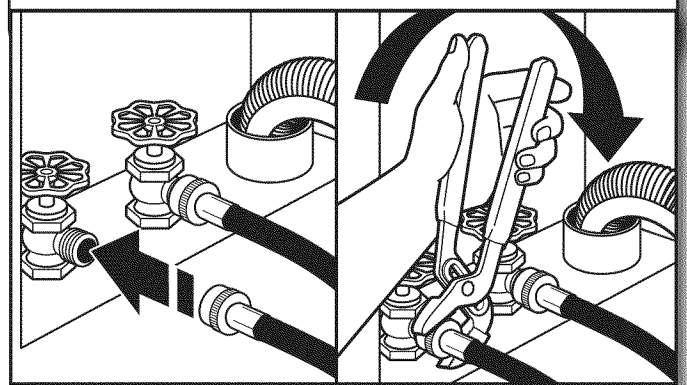
## CONNECT INLET HOSES

## 10. Insert new flat washers



**IMPORTANT:** To avoid leaks, check that your water inlet hoses have flat washers at both ends. Washer must be connected to water faucets with new inlet hoses with flat washers (not provided). Do not use old hoses. Do not use hoses without washers.

## 11. Connect inlet hoses to water faucets

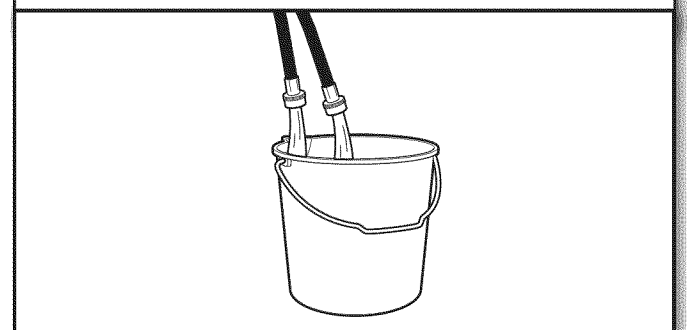


Attach the hose labeled hot to hot water faucet. Screw on coupling by hand until it is seated on washer. Use pliers to tighten couplings an additional two-thirds turn. Repeat this step with the hose labeled cold for the cold water faucet. Both hoses must be connected for washer to work properly.

**IMPORTANT:** Do not overtighten or use tape or sealants on valve when attaching to faucets or washer. Damage can result.

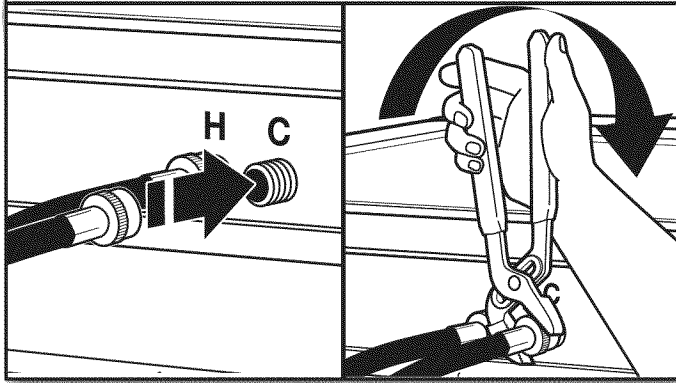
**HELPFUL TIP:** Make note of which hose is connected to hot water to help in attaching hoses to washer correctly. In most standard configurations, hoses will cross over each other when attached correctly.

## 12. Clear water lines



Run water for a few seconds through hoses into a laundry tub, drainpipe, or bucket to avoid clogs. Water should run until clear.

### 13. Connect inlet hoses to washer



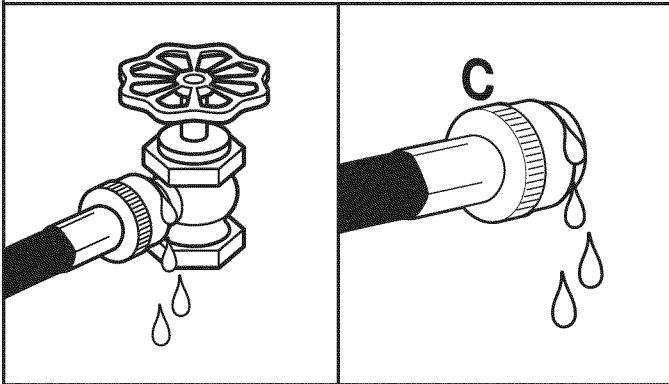
Attach hot water hose to hot water inlet valve. Screw coupling by hand until it is snug. Use pliers to tighten couplings an additional two-thirds turn. Repeat with cold water inlet valve.

**IMPORTANT:** Do not overtighten or use tap or sealants on valve when attaching to faucets or washer. Damage can result.

**NOTE:** To reduce risk of hose failure, replace the hoses every 5 years. Record hose installation or replacement dates for future reference.

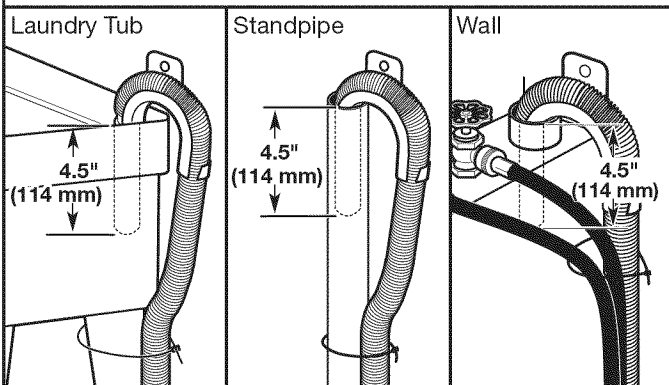
- Periodically inspect and replace hoses if bulges, kinks, cuts, wear, or leaks are found.

### 14. Check for leaks



Slowly turn on water faucets to check for leaks. A small amount of water may enter washer. It will drain later.

### 15. Secure drain hose



Secure drain hose to laundry tub leg, drain standpipe, or inlet hoses for wall standpipe with cable tie.

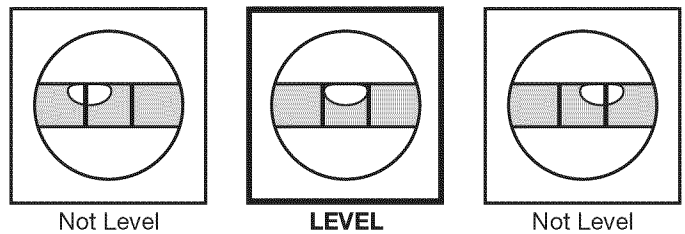
## LEVEL WASHER

Leveling your washer properly reduces excess noise and vibration.

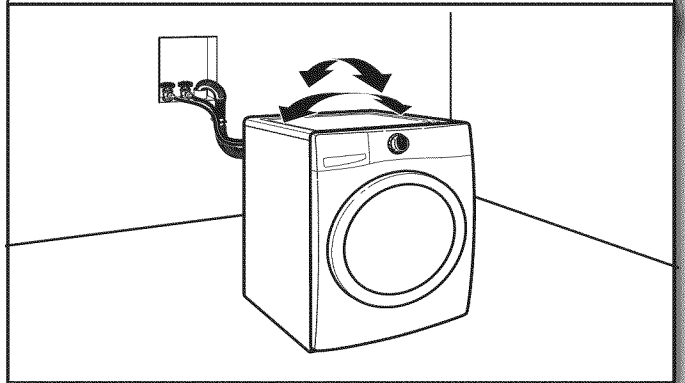
### 16. Check levelness of washer



Remove cardboard from beneath washer. Place a level on top edges of washer, checking each side and front. If not level, tip washer and adjust feet up or down as shown in steps 18 and 19, repeating as necessary.



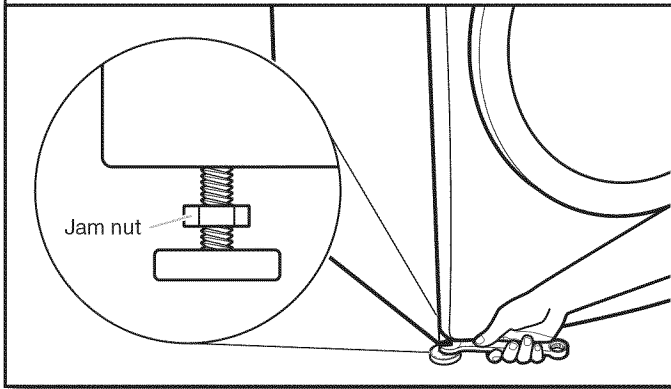
### 17. Rock washer to test foot contact



Grip washer from top and rock back and forth, making sure all four feet are firmly on floor. Repeat, rocking washer from side to side. If washer rocks, go to step 18 and adjust leveling feet. If all four feet are in firm contact with floor, go to Step 19.



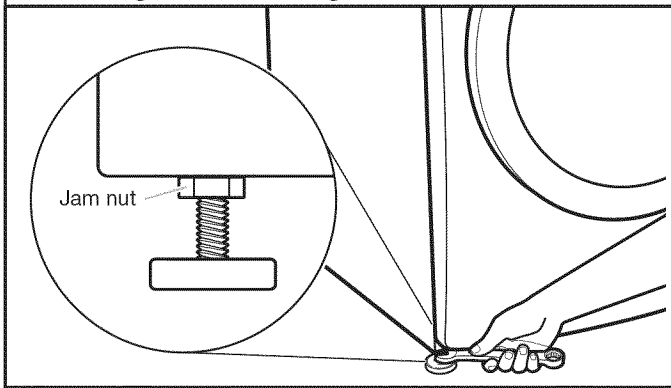
## 18. Adjust leveling feet



If washer is not level, use a 9/16" or 14 mm open-end or adjustable wrench to turn jam nuts clockwise on feet until they are about 1/2" (13 mm) from the washer cabinet. Then turn the leveling foot clockwise to lower the washer or counterclockwise to raise the washer. Recheck levelness of washer and that all four feet are firmly in contact with the floor. Repeat as needed.

**HELPFUL TIP:** You may want to prop up front of washer about 4" (102 mm) with a wood block or similar object that will support weight of washer.

## 19. Tighten leveling feet



When washer is level and all four feet are firmly in contact with the floor, use a 9/16" or 14 mm open-end or adjustable wrench to turn jam nuts counterclockwise on leveling feet tightly against washer cabinet.

**HELPFUL TIP:** You may want to prop washer with wooden block.

## ⚠ WARNING



### Electrical Shock Hazard

**Plug into a grounded 3 prong outlet.**

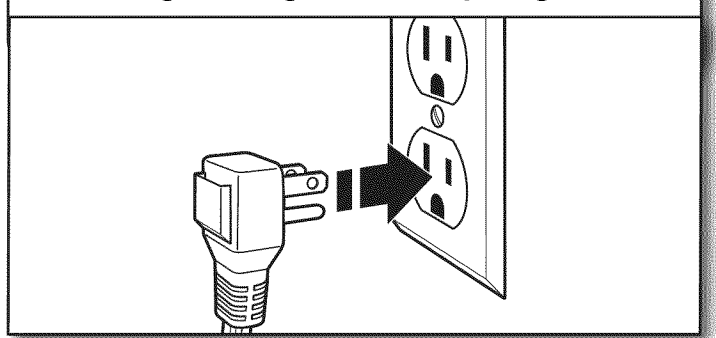
**Do not remove ground prong.**

**Do not use an adapter.**

**Do not use an extension cord.**

**Failure to follow these instructions can result in death, fire, or electrical shock.**

## 20. Plug into a grounded 3 prong outlet



## COMPLETE INSTALLATION CHECKLIST

- Check electrical requirements. Be sure you have correct electrical supply and recommended grounding method.
- Check that all parts are now installed. If there is an extra part, go back through steps to see what was skipped.
- Check that you have all of your tools.
- Check that transport materials were completely removed from back of washer.
- Check that both hot and cold hoses are attached and water faucets are on.
- Check for leaks around faucets, valves, and inlet hoses.
- Remove protective film from console and any tape remaining on washer.
- Check that washer is plugged into a grounded 3 prong outlet.
- Dispose of/recycle all packaging materials.
- Read "Using Your Washer" in your Washer "Use and Care Guide".
- To test and clean your washer, press power and choose the QUICK WASH cycle and run it without clothes. Use only HE detergent. Use 1/2 the manufacturer's recommended amount for a medium-size load.

# SÉCURITÉ DE LA LAVEUSE

## Votre sécurité et celle des autres est très importante.

Nous donnons de nombreux messages de sécurité importants dans ce manuel et sur votre appareil ménager. Assurez-vous de toujours lire tous les messages de sécurité et de vous y conformer.



Voici le symbole d'alerte de sécurité.

Ce symbole d'alerte de sécurité vous signale les dangers potentiels de décès et de blessures graves à vous et à d'autres.

Tous les messages de sécurité suivront le symbole d'alerte de sécurité et le mot "DANGER" ou "AVERTISSEMENT". Ces mots signifient :

**! DANGER**

Risque possible de décès ou de blessure grave si vous ne suivez pas immédiatement les instructions.

**! AVERTISSEMENT**

Risque possible de décès ou de blessure grave si vous ne suivez pas les instructions.

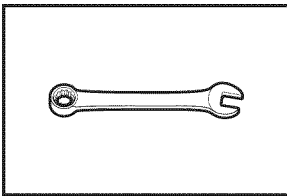
Tous les messages de sécurité vous diront quel est le danger potentiel et vous disent comment réduire le risque de blessure et ce qui peut se produire en cas de non-respect des instructions.

## EXIGENCES D'INSTALLATION

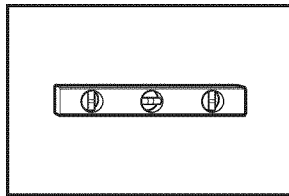
### Outillage et pièces

Rassembler les outils et pièces nécessaires avant de

#### Outillage nécessaire :

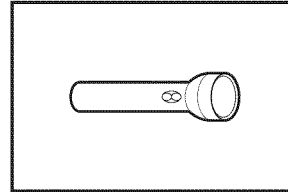


Clés plates ou clés à molette de 1/2" (13 mm) et 9/16" (14 mm)

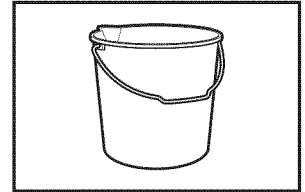


Niveau

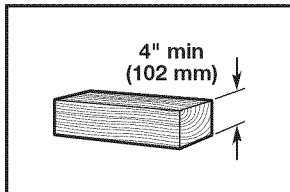
#### Outillage facultatif :



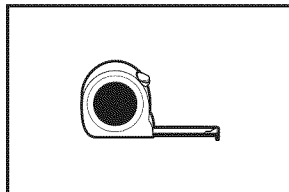
Lampe de poche



Seau

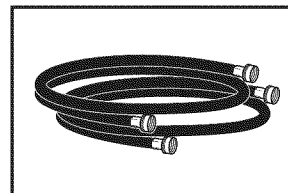


Cale en bois

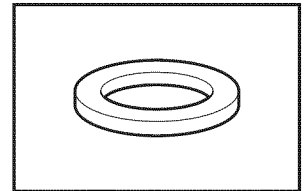


Règle ou mètre ruban

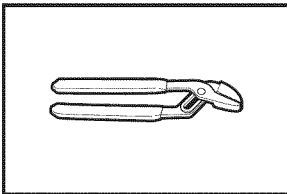
#### Pièces nécessaires : (Non fournies avec la laveuse)



Tuyaux d'arrivée d'eau (2)



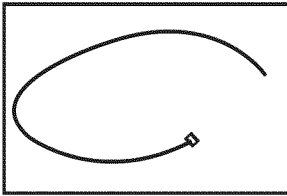
Rondelles plates pour tuyau d'arrivée d'eau (4)



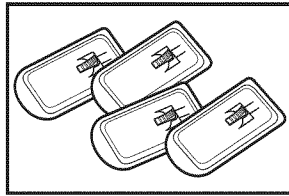
Pince avec ouverture jusqu'à 1 9/16" (39,5 mm)

## Pièces fournies :

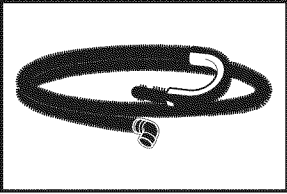
**REMARQUE :** Toutes les pièces fournies pour l'installation se trouvent dans le panier de la laveuse.



Attache-câble



Bouchons d'obturation de trous de boulons de transport (4)



Tuyau de vidange avec bride et bride de retenue (peuvent être livrés non montés)

## Accessoires disponibles :

Vous pouvez obtenir un piédestal facultatif assorti pour la laveuse. Contacter le revendeur pour effectuer la commande ou voir la page "Assistance ou service" au dos du "Guide d'utilisation et d'entretien".

## Autres pièces : (Non fournies avec la laveuse)

Il se peut que l'installation nécessite des pièces supplémentaires. Pour commander, consulter les numéros d'appel sans frais figurant sur la page de couverture du "Guide d'utilisation et d'entretien".

### Si vous avez :

Un égout surélevé

Tuyau de rejet à l'égout rigide de 1" (25 mm)

Un tuyau de vidange trop court

Le système d'évacuation obstrué par de la charpie

Système de vidange plancher

### Il vous faudra :

Tuyau de vidange standard de 20 gal. (76 L) de 39" (990 mm) de haut ou évier de décharge, pompe de puisard et connecteurs (disponibles chez les vendeurs de matériel de plomberie locaux)

Adaptateur pour tuyau rigide de rejet à l'égout rigide de diamètre 2" (51 mm) à 1" (25 mm) Pièce numéro 3363920 Ensemble de connection, pièce numéro 285835

Tuyau de vidange supplémentaire, pièce numéro 285863 Ensemble de connection pièce numéro 285835

Protecteur de canalisation, pièce numéro 367031 Ensemble de connection, pièce numéro 285835

Ensemble de brise-siphon, pièce au numéro 285834 Ensemble de raccordement (2), pièce numéro 285835 Pièce de rallonge du tuyau de vidange, Numéro 285863

## Tuyaux d'arrivée d'eau alternatifs :

(peuvent être nécessaires pour certaines installations; ne sont pas fournis avec la laveuse)

- 8212656RP Tuyau d'arrivée d'eau de 10 pi. (3 m), EPDM noir (lot de 2)
- 8212641RP Tuyau d'arrivée d'eau de 5 pi. (1,5 m), EPDM noirs (lot de 2)
- 8212546RP Tuyau d'arrivée d'eau de 4 pi. (1,2 m), EPDM noirs (lot de 2)
- 8212545RP Tuyau d'arrivée d'eau de 5 pi. (1,5 m), EPDM rouge et bleu (lot de 2)
- 8212487RP Tuyau d'arrivée d'eau en nylon tressé de 5 pi. (1,5 m) (lot de 2)
- 8212638RP Tuyau d'arrivée d'eau en nylon tressé de 6 pi (1,8 m), coude compact à 90°, raccords hydro-blue en acier (lot de 2)
- 8212637RP Tuyau d'arrivée d'eau de 6 pi (1,8 m), EPDM noir, coude compact de 90°, raccords hydro-blue en acier (lot de 2)

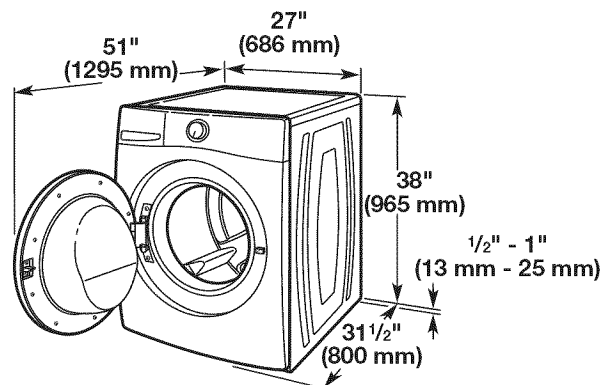
## EXIGENCES D'EMPLACEMENT

C'est à l'utilisateur qu'incombe la responsabilité de réaliser une installation correcte.

### Il vous faudra :

- Un chauffe-eau réglé à 120° F (49° C).
- Une prise électrique reliée à la terre et située à moins de 6 pi (1,8 m) du cordon d'alimentation situé à l'arrière de la laveuse.
- Des robinets d'eau chaude et d'eau froide situés à moins de 4 pi (1,2 m) des électrovannes de remplissage d'eau chaude et d'eau froide situées sur la laveuse et une pression d'eau de 20 à 100 lb/po<sup>2</sup> (137,9 à 689,6 kPa).
- Un plancher de niveau avec une pente maximale de 1" (25 mm) sous l'ensemble de la laveuse. Il n'est pas recommandé de l'installer sur un tapis, de la moquette ou des surfaces avec endos en mousse.
- Un plancher capable de supporter le poids total de 315 lb (143 kg) de la laveuse (eau et charge comprises).

**IMPORTANT :** Ne pas installer, remiser ou faire fonctionner la laveuse à un emplacement où elle sera exposée aux intempéries ou à des températures inférieures à 32° F (0° C). De l'eau restée dans la laveuse après utilisation peut causer des dommages à basse température. Voir "Entretien de la laveuse" dans les "Instructions d'utilisation" de la laveuse pour des renseignements sur l'hivernisation.

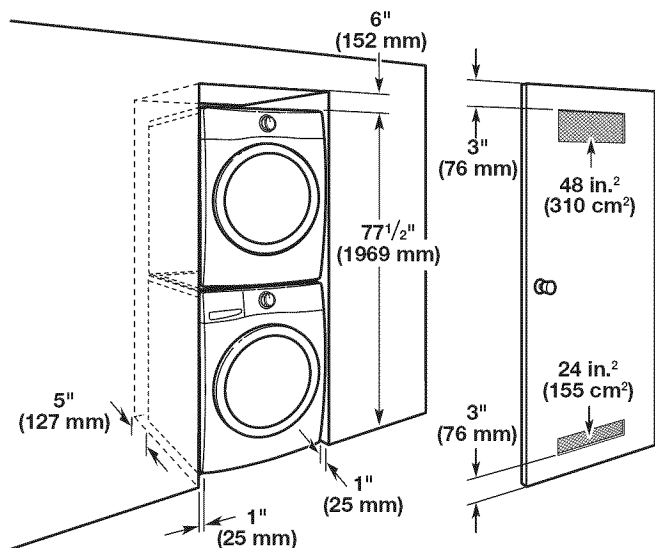


Toutes les dimensions représentent les dégagements recommandés permis, hormis pour les ouvertures de ventilation de la porte du placard qui correspondent aux dimensions minimales nécessaires.

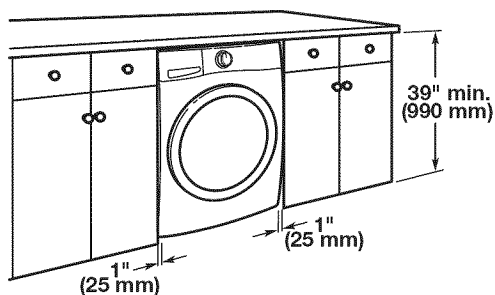
Pour chaque configuration, on peut éventuellement laisser davantage de dégagement pour faciliter l'installation et l'entretien; des distances de séparation par les appareils ménagers voisins et des dégagements pour les murs, les portes et les moulures de plancher.

Le dégagement octroyé doit permettre à la porte de s'ouvrir complètement. Ajouter un espace supplémentaire de 1" (25 mm) de tous les côtés de la laveuse pour réduire le transfert de bruit. Si l'on installe une porte de placard ou une porte à persiennes, des ouvertures d'aération au sommet et au bas de la porte sont nécessaires.

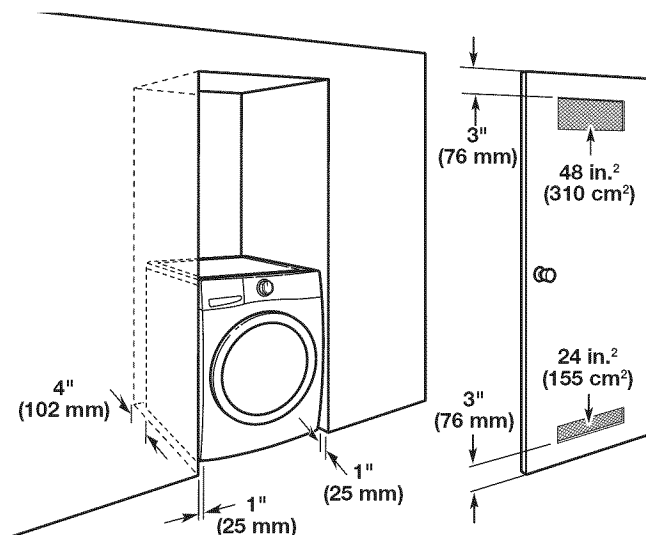
### Installation dans un encastrement ou un placard (laveuse et sècheuse superposées) :



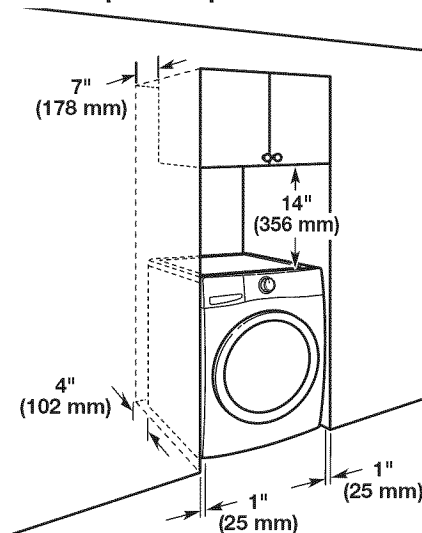
### Installation sous comptoir personnalisée :



### Installation dans un encastrement ou un placard (laveuse uniquement) :



### Installation dans un placard personnalisée :

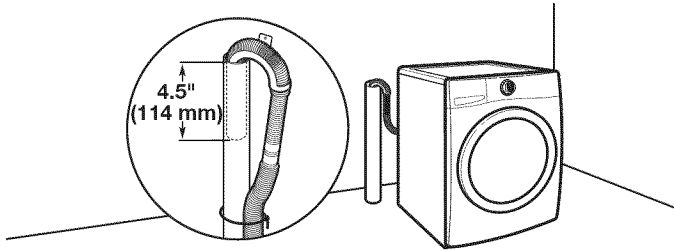


## SYSTÈME DE VIDANGE

Le système de vidange de la laveuse peut être installé à l'aide d'un conduit d'évacuation au plancher, un tuyau de rejet à l'égout au plancher ou mural ou un évier de buanderie. Sélectionner la méthode à utiliser.

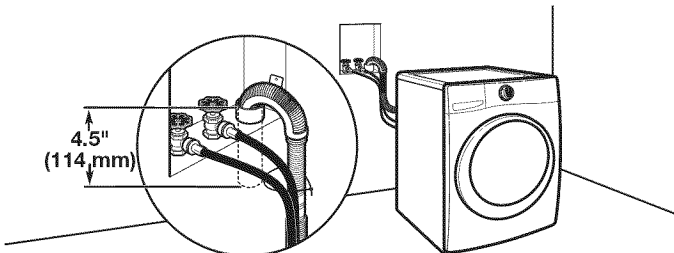
**IMPORTANT :** Pour éviter un effet de siphon, ne pas introduire plus de 4½" (114 mm) de tuyau de vidange à l'intérieur du tuyau rigide de rejet à l'égout. Toujours immobiliser le tuyau de vidange avec un attache-câble.

### Système de vidange avec tuyau de rejet à l'égout au plancher



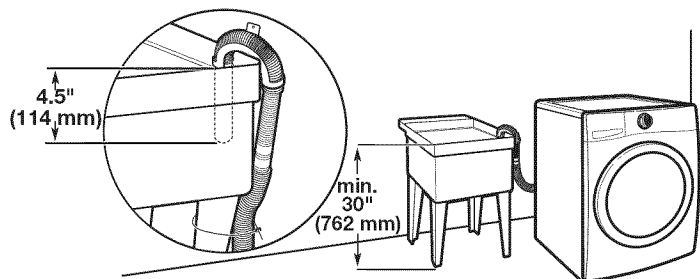
Diamètre minimal pour un tuyau rigide de rejet à l'égout : 2" (51 mm). Capacité minimale d'acheminement : 17 gal. (64 L) par minute. Un ensemble d'adaptateur de tuyau rigide de rejet à l'égout de ¼" (6 mm) à 1" (25 mm) de diamètre est disponible (pièce numéro 3363920). Le sommet du tuyau de rejet à l'égout doit avoir une hauteur d'au moins 30" (762 mm); ne pas l'installer à plus de 96" (2,44 m) du fond de la laveuse. Si l'on possède un égout surélevé et que l'on doit l'installer à plus de 96" (2,44 m) de hauteur, un système de pompe de puisard (avec tout le matériel en rapport) est nécessaire. Voir "Autres pièces".

### Système de vidange avec tuyau de rejet à l'égout mural



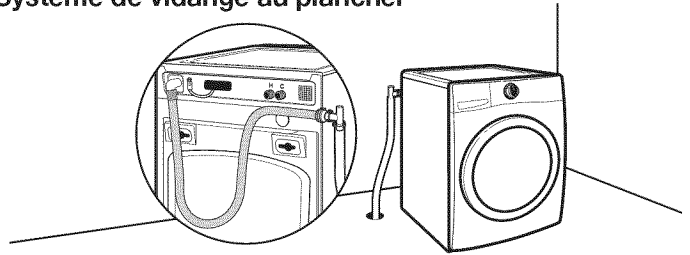
Voir les exigences pour le système de vidange avec tuyau rigide de rejet à l'égout au plancher.

### Système de vidange dans un évier de buanderie



Capacité minimale : 20 gal. (76 L). Le sommet de l'évier de buanderie doit se trouver à au moins 30" (762 mm) du plancher; ne pas l'installer à plus de 96" (2,44 m) du fond de la laveuse.

## Système de vidange au plancher



Le système de vidange au plancher nécessite un ensemble de brise-siphon (pièce numéro 285834), deux ensembles de raccordement (pièce numéro 285835) et une rallonge de tuyau de vidange (pièce numéro 285863) qui peuvent être achetés séparément. Voir "Autres pièces". Hauteur minimale du brise-siphon : 28" (710 mm) à partir du fond de la laveuse. (Des tuyaux supplémentaires peuvent être requis).

## SPÉCIFICATIONS ÉLECTRIQUES

### ⚠ AVERTISSEMENT



#### Risque de choc électrique

**Brancher sur une prise à 3 alvéoles reliée à la terre.**

**Ne pas enlever la broche de liaison à la terre.**

**Ne pas utiliser un adaptateur.**

**Ne pas utiliser un câble de rallonge.**

**Le non-respect de ces instructions peut causer un décès, un incendie ou un choc électrique.**

- Une alimentation de 120 volts, 60 Hz, CA seulement, de 15 ou 20 ampères, protégée par un fusible est requise. On recommande l'emploi d'un fusible ou d'un disjoncteur temporisé. Il est recommandé de raccorder l'appareil sur un circuit distinct exclusif à cet appareil.
- Cette laveuse comporte un cordon d'alimentation électrique à trois broches pour liaison à la terre.
- Pour minimiser les risques de choc électrique, on doit brancher le cordon sur une prise de courant de configuration correspondante, à 3 alvéoles, reliée à la terre et installée conformément aux codes et règlements locaux. Si une prise de courant de configuration correspondante n'est pas disponible, le client a la responsabilité et l'obligation de faire installer par un électricien qualifié une prise de courant correctement reliée à la terre.
- Si les codes le permettent et si l'on utilise un conducteur distinct de liaison à la terre, il est recommandé qu'un électricien qualifié vérifie la qualité de la liaison à la terre.
- Ne pas utiliser une tuyauterie de gaz pour le raccordement à la terre.

- En cas de doute quant à la qualité de la liaison à la terre de la laveuse, consulter un électricien qualifié.
- Ne pas installer un fusible dans le conducteur neutre ou le circuit de liaison à la terre.

## INSTRUCTIONS DE LIAISON À LA TERRE

### Pour une laveuse reliée à la terre et connectée par un cordon :

Cette laveuse doit être reliée à la terre. En cas d'anomalie de fonctionnement ou de panne, la liaison à la terre réduira le risque de choc électrique en offrant au courant électrique un itinéraire d'évacuation de moindre résistance. Cette laveuse est alimentée par un cordon électrique comportant un conducteur relié à la terre et une fiche de branchement munie d'une broche de liaison à la terre. La fiche doit être branchée sur une prise de courant appropriée qui est bien installée et reliée à la terre conformément à tous les codes et règlements locaux.

**AVERTISSEMENT :** Le raccordement incorrect de cet appareil au conducteur de liaison à la terre peut susciter un risque de choc électrique. En cas de doute quant à la qualité de la liaison à la terre de l'appareil, consulter un électricien ou technicien d'entretien qualifié.

Ne pas modifier la fiche de branchement fournie avec l'appareil – si la fiche ne correspond pas à la configuration de la prise de courant, demander à un électricien qualifié d'installer une prise de courant convenable.

### Pour une laveuse raccordée en permanence :

Cette laveuse doit être raccordée à un système de câblage permanent en métal relié à la terre ou un conducteur relié à la terre doit être en fonction avec les conducteurs de circuit et raccordés à la borne de liaison à la terre ou la borne sur l'appareil ménager.

## INSTRUCTIONS D'INSTALLATION

### ⚠ AVERTISSEMENT

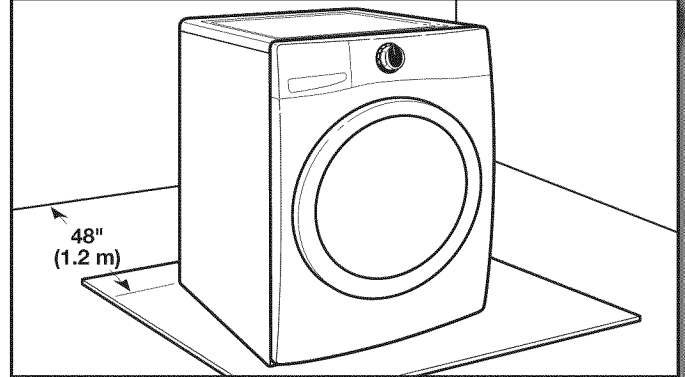
#### Risque du poids excessif

Utiliser deux ou plus de personnes pour déplacer et installer la laveuse.

Le non-respect de cette instruction peut causer une blessure au dos ou d'autre blessure.

**REMARQUE :** Pour éviter d'endommager le plancher, installer la laveuse sur un carton avant de la déplacer.

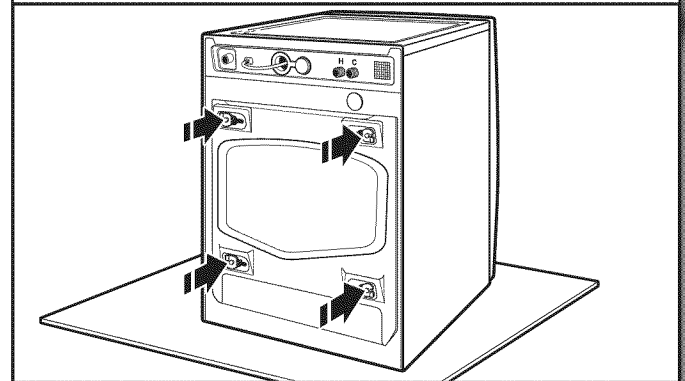
### 1. Déplacer la laveuse



Il est nécessaire de retirer tout le matériel d'expédition pour un fonctionnement correct et pour éviter que la laveuse ne fasse trop de bruit.

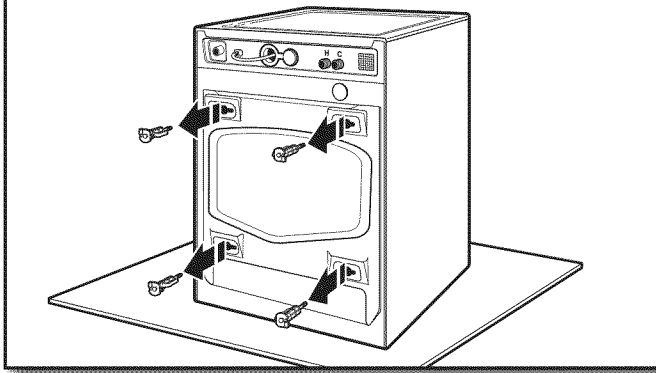
Déplacer la laveuse à moins de 4 pi (1,2 m) de son emplacement final, elle doit être en position complètement verticale.

### 2. Localiser les boulons de transport



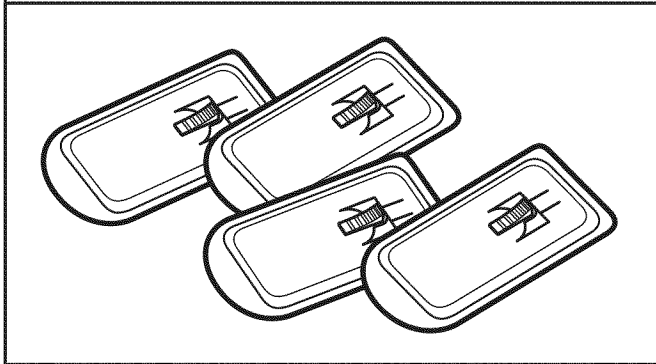
Localiser quatre boulons de transport situés l'arrière de la laveuse.

### 3. Retirer les boulons de transport de la laveuse



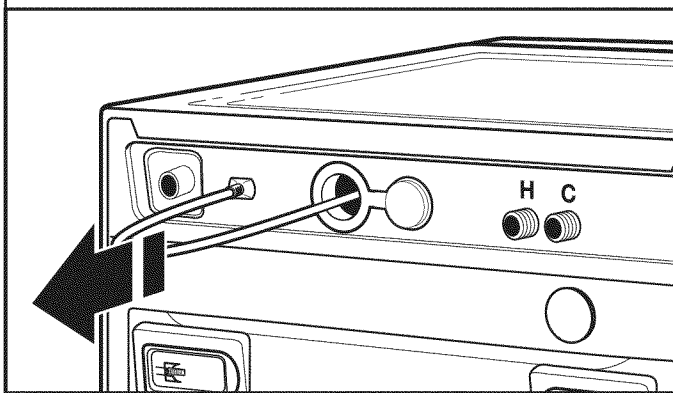
Desserrer les boulons avec une clé de 13 mm (1/2"). Déplacer chaque boulon vers le centre du trou. Retirer les boulons et les cales en plastique de l'arrière de la laveuse. Jeter les boulons et cales d'espacement.

### 4. Recouvrir les trous des boulons de transport avec les bouchons d'obturation



Obturer les trous des boulons à l'arrière de la caisse à l'aide des bouchons d'obturation des trous de boulons de transport fournis avec les pièces de la laveuse.

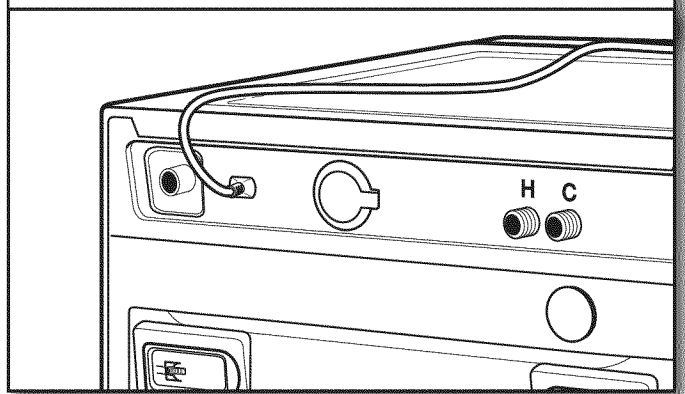
### 5. Retirer le cordon d'alimentation



Tirer sur le cordon d'alimentation pour le dégager de l'ouverture du panneau arrière et boucher le trou à l'aide du cache fourni.

**REMARQUE :** Si la laveuse doit être transportée ultérieurement, contacter le centre de service local afin d'éviter d'endommager la suspension et la structure de la laveuse : un technicien agréé doit préparer la laveuse correctement avant tout déplacement.

### 6. Placer le cordon d'alimentation par-dessus la console

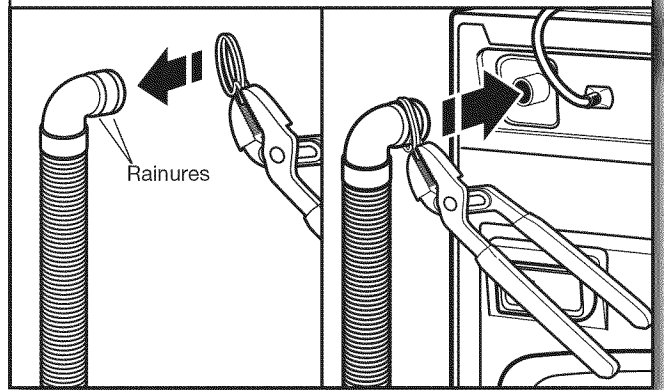


Retirer la sangle jaune d'expédition du cordon. Placer délicatement le cordon d'alimentation par dessus la laveuse pour permettre le libre accès à l'arrière de la laveuse.

**IMPORTANT :** Ne pas brancher la laveuse avant d'avoir terminé l'installation.

## RACCORDEMENT DU TUYAU DE VIDANGE

### 7. Fixation du tuyau de vidange à l'orifice de vidange

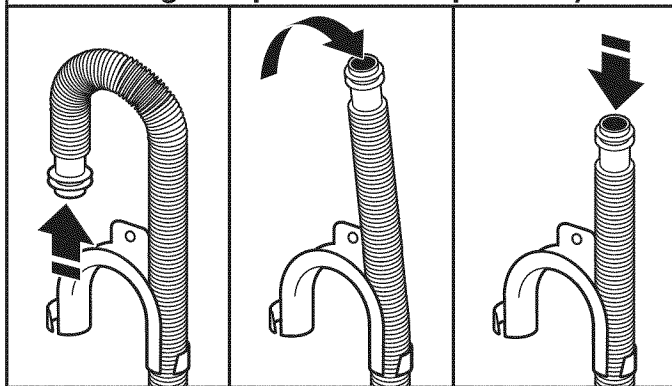


Si la bride n'est pas déjà installée sur l'extrémité coudée du tuyau de vidange, serrer la bride avec une pince et la faire glisser sur l'extrémité du tuyau en la centrant entre les rainures tel qu'illustré. Serrer la bride avec une pince et faire glisser à nouveau l'extrémité coudée du tuyau de vidange sur l'orifice de vidange, puis fixer avec la bride.

Pour un évier de buanderie ou un tuyau rigide de rejet à l'égout rigide, passer à l'étape 9.

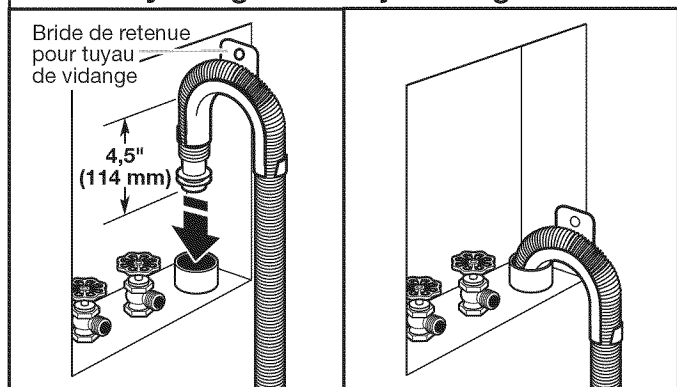
Pour une vidange au plancher, retirer la bride de retenue pour tuyau de vidange préinstallée tel qu'indiqué à l'étape 8. Des pièces supplémentaires avec des instructions distinctes s'avèreront peut-être nécessaires. Voir "Outillage et pièces".

## 8. Retrait de la bride de retenue pour tuyau de vidange (installations avec vidange au plancher uniquement)



Pour les installations avec vidange au plancher, il faut retirer la bride de retenue pour tuyau de vidange de l'extrémité du tuyau de vidange. Des pièces supplémentaires avec des directives distinctes seront peut-être nécessaires. Voir "Autres pièces".

## 9. Placer le tuyau de vidange dans le tuyau rigide de rejet à l'égout

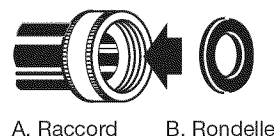


Placer le tuyau dans le tuyau rigide de rejet à l'égout (illustré sur l'image) ou par-dessus le côté de l'évier de buanderie.

**IMPORTANT :** 4½" (114 mm) du tuyau de vidange doit être à l'intérieur du tuyau de rejet à l'égout; ne pas forcer l'excédent de tuyau dans le tuyau rigide de rejet à l'égout ni le placer dans l'évier de buanderie. On doit utiliser la bride de retenue pour tuyau de vidange.

## RACCORDEMENT DES TUYAUX D'ARRIVÉE D'EAU

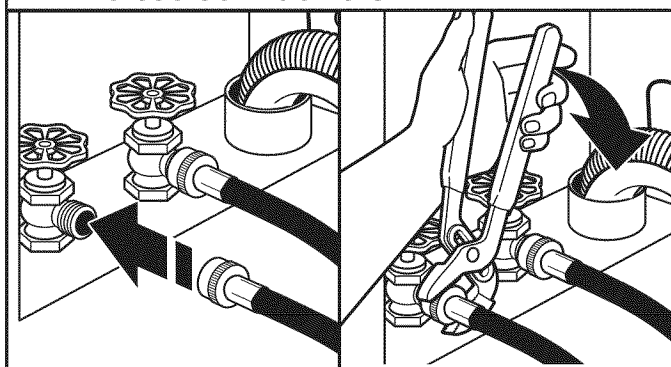
### 10. Insérer les rondelles plates neuves



A. Raccord B. Rondelle

**IMPORTANT :** Afin d'éviter toute fuite, vérifier que les tuyaux d'arrivée d'eau comportent des rondelles d'étanchéité plates aux deux extrémités. La laveuse doit être raccordée aux robinets d'eau à l'aide des tuyaux d'arrivée d'eau et des rondelles neuves (non compris). Ne pas utiliser de tuyaux usagés. Ne pas utiliser de tuyaux sans installer de rondelles d'étanchéité.

### 11. Connecter les tuyaux d'arrivée d'eau aux robinets



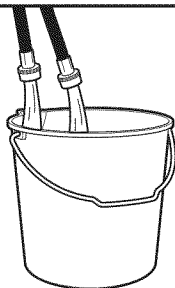
Fixer le tuyau dont l'étiquette porte la mention "hot" (chaud) au robinet d'eau chaude. Visser le raccord à la main pour qu'il repose sur la rondelle. Serrer les raccords de deux tiers de tour supplémentaires à l'aide d'une pince. Répéter cette étape avec le tuyau portant la mention "cold" (froide) pour le robinet d'eau froide. Les deux tuyaux doivent être raccordés pour que la laveuse fonctionne correctement.

**IMPORTANT :** Ne pas serrer excessivement ni utiliser de ruban adhésif ou de dispositifs d'étanchéité lors de la fixation des robinets ou de la machine. Cela pourrait entraîner des dommages.

**CONSEIL UTILE :** Repérer quel tuyau est raccordé à l'eau chaude pour permettre une fixation correcte des tuyaux à la machine. Dans la plupart des configurations standard, les tuyaux se croisent lorsque fixés correctement.

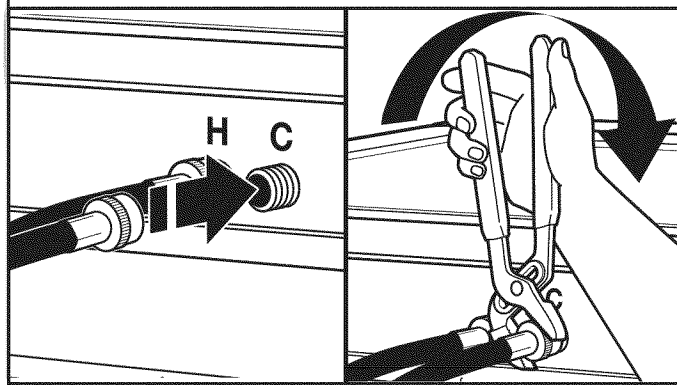


## 12. Purger les canalisations d'eau



Faire couler l'eau par les tuyaux dans l'évier de buanderie, le tuyau rigide de rejet à l'égout ou le seau pendant quelques secondes pour éviter toute obstruction. On doit laisser couler l'eau jusqu'à ce qu'elle soit limpide.

## 13. Connecter les tuyaux d'arrivée d'eau à la laveuse



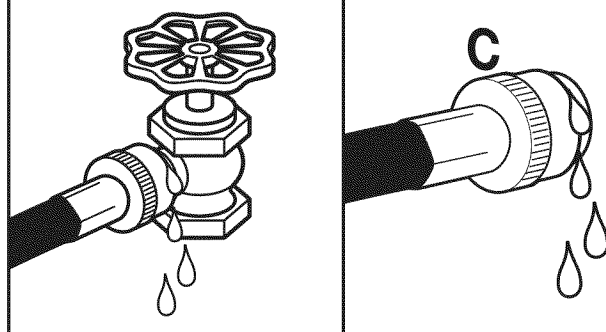
Fixer le tuyau d'eau chaude au robinet d'arrivée d'eau chaude. Visser le raccord à la main jusqu'à ce qu'il soit bien serré. Serrer les raccords de deux tiers de tour supplémentaires à l'aide d'une pince. Répéter pour le robinet d'eau froide.

**IMPORTANT :** Ne pas serrer excessivement ni utiliser de ruban adhésif ou de dispositifs d'étanchéité sur la valve lors de la fixation des robinets ou de la laveuse. Cela pourrait entraîner des dommages.

**REMARQUE :** Pour réduire le risque de défaillance des tuyaux, remplacer les tuyaux tous les 5 ans. Inscrire la date d'installation ou de remplacement des tuyaux pour référence ultérieure.

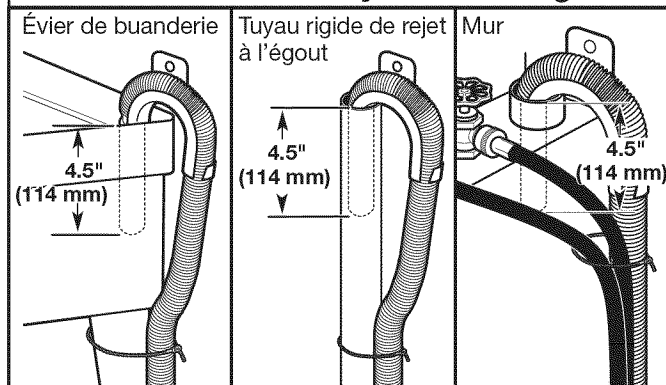
- Inspecter périodiquement les tuyaux et les remplacer en cas de renflement, de déformation, de coupure, d'usure ou si une fuite se manifeste.

## 14. Rechercher les fuites éventuelles



Ouvrir lentement les robinets d'eau pour vérifier qu'il n'y a pas de fuite. Une petite quantité d'eau peut entrer dans la laveuse. Elle s'évacuera plus tard.

## 15. Immobiliser le tuyau de vidange

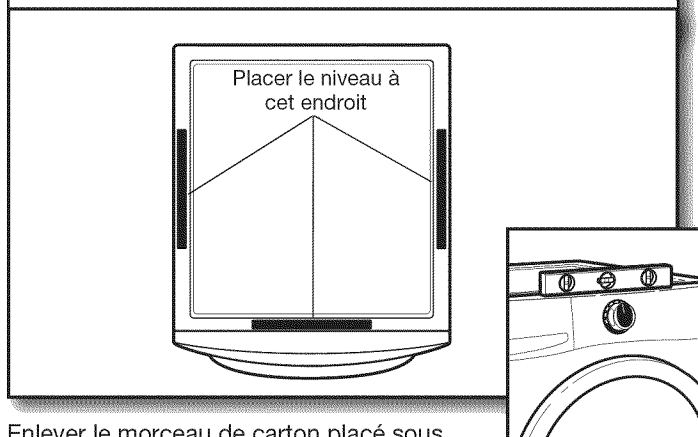


Fixer le tuyau de vidange au pied de l'évier de buanderie, au tuyau de rejet à l'égout ou aux tuyaux d'arrivée d'eau pour le tuyau de rejet à l'égout mural avec l'attache-câble.

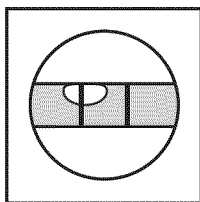
# ÉTABLISSEMENT DE L'APLOMB DE LA LAVEUSE

**IMPORTANT :** L'établissement correct de l'aplomb de la laveuse permet de réduire les nuisances sonores et de limiter les vibrations.

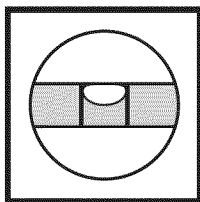
## 16. Contrôler l'aplomb de la laveuse



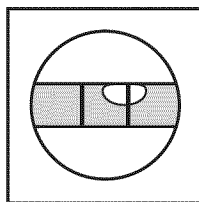
Enlever le morceau de carton placé sous la laveuse. Placer un niveau sur les bords supérieurs de la laveuse en contrôlant chaque côté et l'avant. Si elle n'est pas d'aplomb, faire basculer la laveuse et régler les pieds vers le haut ou vers le bas tel qu'indiqué dans les étapes 18 et 19, et recommencer si nécessaire.



Pas d'aplomb

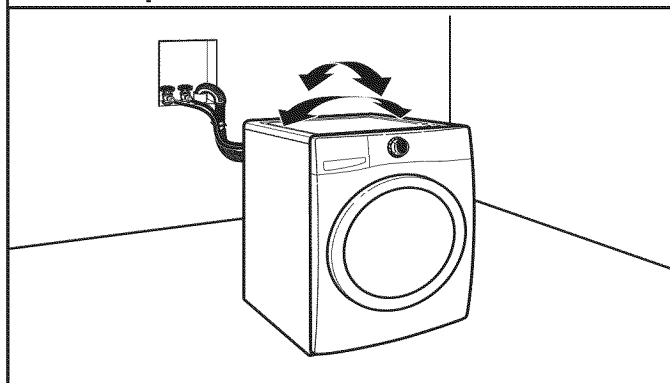


**APLOMB**



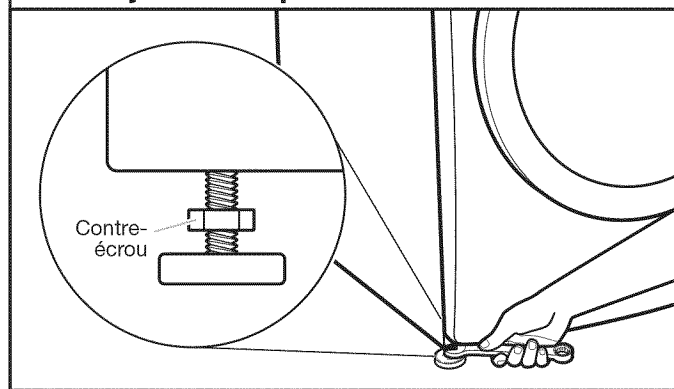
Pas d'aplomb

## 17. Faire basculer la laveuse pour tester la stabilité des pieds sur le plancher



Saisir la laveuse par le dessus et la faire basculer d'avant en arrière tout en s'assurant que les quatre pieds sont en contact ferme avec le plancher. Faire de nouveau basculer la laveuse, transversalement. Si la laveuse bascule, passer à l'étape 18 et ajuster les pieds de nivellement. Si les quatre pieds sont en contact ferme avec le plancher, passer à l'étape 19.

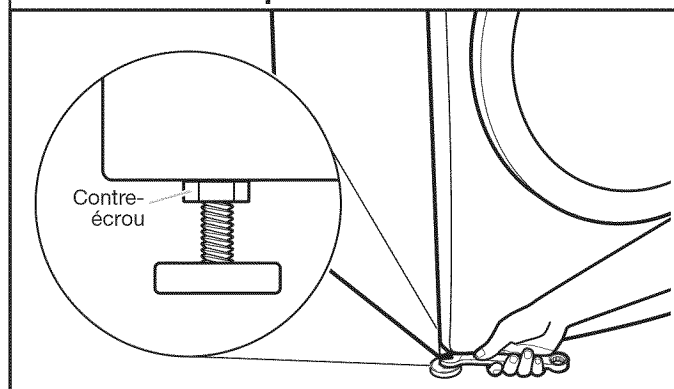
## 18. Ajuster les pieds de nivellement



Si la laveuse n'est pas d'aplomb, utiliser une clé plate ou une clé à molette de 9/16" ou 14 mm pour tourner les contre-écrous dans le sens horaire jusqu'à ce qu'ils se trouvent à environ 1/2" (13 mm) de la caisse de la laveuse. Tourner ensuite le pied de nivellement dans le sens horaire pour abaisser la laveuse ou antihoraire pour la soulever. Contrôler à nouveau l'aplomb de la laveuse et vérifier que les quatre pieds sont bien au contact du plancher. Répéter au besoin.

**CONSEIL UTILE :** Il serait judicieux de soulever l'avant de la laveuse d'environ 4" (102 mm) à l'aide d'une cale en bois ou d'un objet similaire qui soutiendra le poids de la laveuse.

## 19. Serrer les pieds de nivellement



Une fois que la laveuse est d'aplomb et que les quatre pieds sont bien au contact du plancher, de la laveuse établi, utiliser une clé plate ou une clé à molette de 9/16" ou 14 mm pour tourner les contre-écrous sur les pieds de nivellement dans le sens anti-horaire et les serrer fermement contre la caisse de la laveuse.

**CONSEIL UTILE :** Il serait judicieux d'étayer la laveuse à l'aide d'une cale en bois.

## **⚠ AVERTISSEMENT**



### **Risque de choc électrique**

**Brancher sur une prise à 3 alvéoles reliée à la terre.**

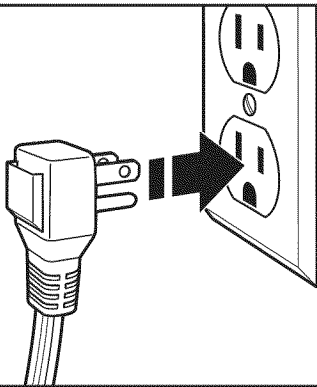
**Ne pas enlever la broche de liaison à la terre.**

**Ne pas utiliser un adaptateur.**

**Ne pas utiliser un câble de rallonge.**

**Le non-respect de ces instructions peut causer un décès, un incendie ou un choc électrique.**

## **20. Brancher sur une prise à 3 alvéoles reliée à la terre**



## **LISTE DE VÉRIFICATION POUR L'ACHÈVEMENT DE L'INSTALLATION**

- Consulter les spécifications électriques. S'assurer de disposer d'une source d'électricité appropriée et d'une liaison à la terre conforme à la méthode recommandée.
- Vérifier que toutes les pièces sont maintenant installées. S'il reste une pièce, passer en revue les différentes étapes pour découvrir laquelle aurait été oubliée.
- Vérifier la présence de tous les outils.
- Vérifier que tout le matériel d'expédition a été retiré de l'arrière de la laveuse.
- Vérifier que les tuyaux d'arrivée d'eau chaude et d'eau froide sont bien fixés et que les robinets d'eau sont ouverts.
- Vérifier qu'il n'y a pas de fuite autour des robinets et des tuyaux d'arrivée d'eau.
- Ôter la pellicule protectrice de la console et tout ruban adhésif resté sur la laveuse.
- Vérifier que la laveuse est branchée sur une prise de courant à 3 alvéoles reliée à la terre.
- Éliminer/recycler tous les matériaux d'emballage.
- Lire "Utilisation de la laveuse" dans les "Instructions d'installation" de la laveuse.
- Pour tester la laveuse et la nettoyer, appuyer sur Power (mise sous tension), sélectionner le programme QUICK WASH (lavage rapide) et la faire fonctionner sans vêtements. Utiliser uniquement un détergent HE. Utiliser la moitié de la quantité recommandée par le fabricant pour une charge de taille moyenne.

