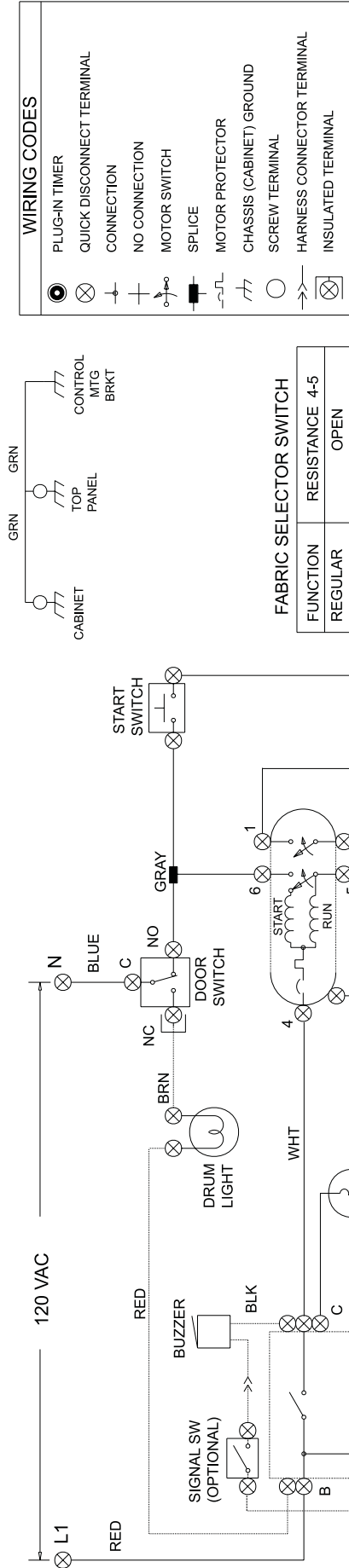


CAUTION: DISCONNECT ELECTRIC CURRENT BEFORE SERVICING. LABEL ALL WIRES PRIOR TO DISCONNECTION WHEN SERVICING CONTROLS. WIRING ERRORS CAN CAUSE IMPROPER AND DANGEROUS OPERATION. VERIFY PROPER OPERATION AFTER SERVICING.



FABRIC SELECTOR SWITCH

FUNCTION	RESISTANCE 4-5
REGULAR	OPEN
MEDIUM	2.4K Ω
LOW	10 Ω MAX

WIRING CODES

	PLUG-IN TIMER
	QUICK DISCONNECT TERMINAL
	CONNECTION
	NO CONNECTION
	MOTOR SWITCH
	SPLICE
	MOTOR PROTECTOR
	CHASSIS (CABINET) GROUND
	SCREW TERMINAL
	HARNESS CONNECTOR TERMINAL
	INSULATED TERMINAL

- NOTES:**
1. ALL WIRING MUST CONFORM TO LOCAL ELECTRICAL CODES.
 2. CONNECT DRYER TO A 15 AMPERE INDIVIDUAL BRANCH CIRCUIT.
 3. TIMER SHOWN IN OFF POSITION, DOOR SWITCH CLOSED, MOTOR AT REST, THERMOSTAT CLOSED AND FABRIC SELECTOR SWITCH AT REGULAR.

NOTES:
DASHED LINES INDICATE CIRCUITS THAT ARE NOT IN ALL MODELS.

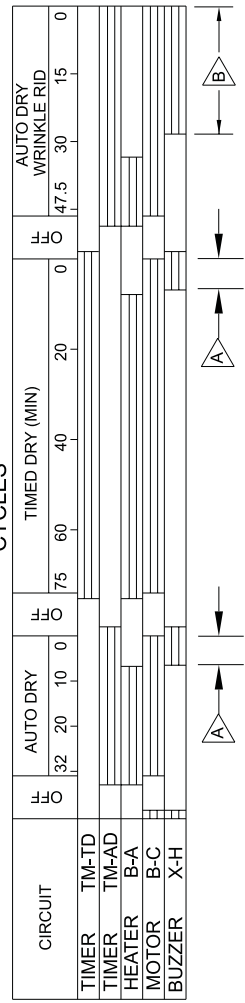
BAR CHART TO THE LEFT REPRESENTS ONE COMPLETE REVOLUTION OF TIMER SHAFT.

SHADED PORTION OF BAR CHART INDICATES THE PROPORTIONAL TIMES THAT INTERNAL TIMER CONTACTS ARE CLOSED.

A PULSER CAM, LOCATED NEXT TO THE BUZZER CAM AND ROTATING AT 12 REVOLUTIONS PER HOUR, ALLOWS CIRCUIT "X-H" TO CLOSE FOR 5 SECONDS (±3 SECONDS).

A 1 OR 2 TIMES IN THIS AREA
B 5 TO 6 TIMES IN THIS AREA

CYCLES



WIRING DIAGRAM
P/N 134054800