

TOP-MOUNT REFRIGERATOR

Use & Care Guide

For questions about features, operation/performance, parts accessories or service, call: **1-800-44-ROPER (1-800-447-6737)**.

In Canada, call for assistance **1-800-461-5681**, for installation and service, call: **1-800-807-6777** or visit our website at...

www.roperappliances.com

RÉFRIGÉRATEUR SUPERPOSÉ

Guide d'utilisation et d'entretien

Au Canada, pour assistance, composer le
1-800-44-ROPER (1-800-447-6737),
pour installation ou service **1-800-807-6777** ou visitez notre site web à

www.roperappliances.com

Table of Contents/Table des matières.....2

TABLE OF CONTENTS

| | |
|---|----|
| REFRIGERATOR SAFETY | 3 |
| PARTS AND FEATURES..... | 4 |
| INSTALLING YOUR REFRIGERATOR | 5 |
| Unpacking Your Refrigerator..... | 5 |
| Space Requirements | 5 |
| Electrical Requirements..... | 6 |
| Connecting the Refrigerator to a Water Source | 6 |
| Reversing the Door Swing..... | 8 |
| Reversing the Door Handles | 9 |
| Door Closing and Alignment | 10 |
| Understanding Sounds You May Hear | 11 |
| USING YOUR REFRIGERATOR..... | 11 |
| Ensuring Proper Air Circulation..... | 11 |
| Setting the Control..... | 12 |
| Adjusting Control Settings..... | 12 |
| Food Storage Guide..... | 13 |
| REFRIGERATOR FEATURES..... | 14 |
| Refrigerator Shelves | 14 |
| Meat Drawer and Cover..... | 15 |
| Crisper and Crisper Cover..... | 15 |
| Ice Maker Operation | 16 |
| Freezer Shelf..... | 16 |
| CARING FOR YOUR REFRIGERATOR | 17 |
| Cleaning Your Refrigerator..... | 17 |
| Changing the Light Bulb | 17 |
| Power Interruptions | 18 |
| Vacation and Moving Care | 18 |
| TROUBLESHOOTING..... | 19 |
| ASSISTANCE OR SERVICE | 22 |
| WARRANTY | 23 |

TABLE DES MATIÈRES

| | |
|---|----|
| SÉCURITÉ DU RÉFRIGÉRATEUR | 26 |
| PIÈCES ET CARACTÉRISTIQUES..... | 27 |
| INSTALLATION DU RÉFRIGÉRATEUR | 28 |
| Déballage de votre réfrigérateur..... | 28 |
| Espace requis..... | 28 |
| Spécifications électriques | 29 |
| Raccordement du réfrigérateur à une canalisation d'eau..... | 29 |
| Inversion du sens d'ouverture des portes..... | 31 |
| Inversion des poignées de porte | 32 |
| Fermeture et alignement des portes | 33 |
| Les bruits de l'appareil que vous pouvez entendre..... | 34 |
| UTILISATION DU RÉFRIGÉRATEUR | 34 |
| Pour s'assurer d'une circulation d'air appropriée | 34 |
| Réglage des commandes..... | 35 |
| Ajustement des réglages de commande | 35 |
| Guide d'entreposage des aliments..... | 36 |
| CARACTÉRISTIQUES DU RÉFRIGÉRATEUR..... | 37 |
| Tablettes du réfrigérateur..... | 37 |
| Bac à viande et couvercle..... | 38 |
| Bac à légumes et couvercle..... | 38 |
| Utilisation de la machine à glaçons | 39 |
| Clayette du congélateur | 39 |
| ENTRETIEN DE VOTRE RÉFRIGÉRATEUR | 40 |
| Nettoyage du réfrigérateur | 40 |
| Remplacement de l'ampoule d'éclairage..... | 41 |
| Pannes de courant..... | 41 |
| Entretien avant les vacances ou lors d'un déménagement | 41 |
| DÉPANNAGE..... | 42 |
| ASSISTANCE OU SERVICE | 46 |
| GARANTIE | 47 |

REFRIGERATOR SAFETY

Your safety and the safety of others is very important.

We have provided many important safety messages in this manual and on your appliance. Always read and obey all safety messages.



This is the safety alert symbol.

This symbol alerts you to hazards that can kill or hurt you and others.

All safety messages will be preceded by the safety alert symbol and the word "DANGER" or "WARNING." These words mean:

 **DANGER**

You will be killed or seriously injured if you don't follow instructions.

 **WARNING**

You can be killed or seriously injured if you don't follow instructions.

All safety messages will identify the hazard, tell you how to reduce the chance of injury, and tell you what can happen if the instructions are not followed.

IMPORTANT SAFETY INSTRUCTIONS

WARNING: To reduce the risk of fire, electric shock, or injury when using your refrigerator, follow these basic precautions:

- Plug into a grounded 3 prong outlet.
- Do not remove ground prong.
- Do not use an adapter.
- Do not use an extension cord.
- Disconnect power before servicing.
- Replace all panels before operating.
- Remove doors from your old refrigerator.
- Use nonflammable cleaner.
- Keep flammable materials and vapors, such as gasoline, away from refrigerator.
- Use two or more people to move and install refrigerator.
- Disconnect power before installing ice maker.
- Use a sturdy glass when dispensing ice or water (on some models).

SAVE THESE INSTRUCTIONS

Proper Disposal of Your Old Refrigerator

 **WARNING**

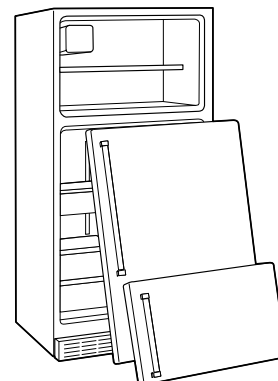
Suffocation Hazard

**Remove doors from your old refrigerator.
Failure to do so can result in death or brain damage.**

IMPORTANT – Child entrapment and suffocation are not problems of the past. Junked or abandoned refrigerators are still dangerous – even if they will sit for "just a few days." If you are getting rid of your old refrigerator, please follow these instructions to help prevent accidents.

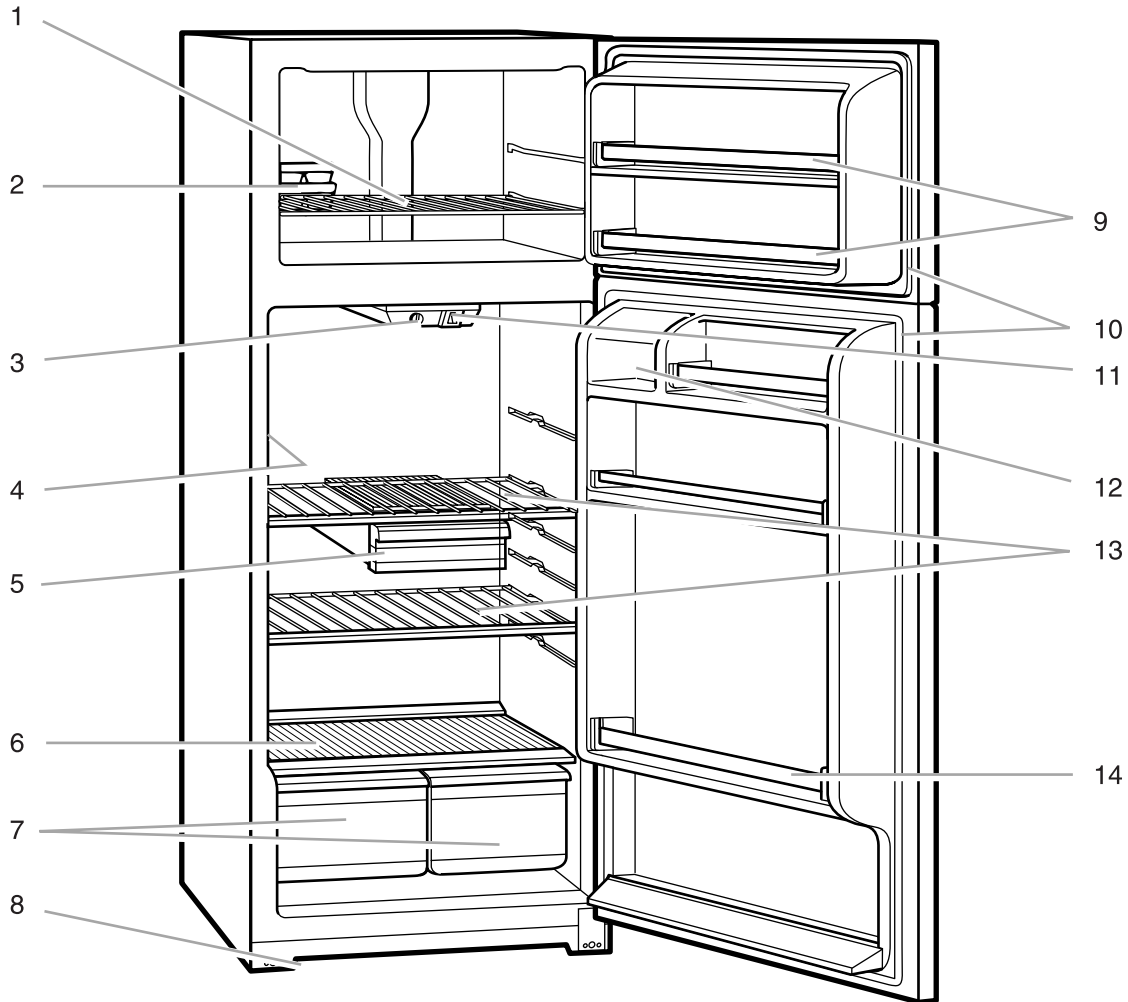
Before you throw away your old refrigerator or freezer:

- Take off the doors.
- Leave the shelves in place so that children may not easily climb inside.



PARTS AND FEATURES

This manual covers several different models. The refrigerator you have purchased may have some or all of the items listed. The locations of the features may not match your model.



- 1. Adjustable Freezer Shelf
- 2. Ice Cube Trays
- 3. Control Panel
- 4. Model and Serial Number Label
- 5. Meat Drawer (on some models)
- 6. Crisper Cover
- 7. Crispers
- 8. Leveling Rollers (not shown)
- 9. Freezer Door Shelves
- 10. Magnetic Door Gaskets
- 11. Light Switch
- 12. Utility Compartment
- 13. Adjustable Glass or Wire Shelves (number varies with model)
- 14. Door Shelves

**Other Parts and Features
(not shown in illustration above/optional on some models)**

- Automatic Ice Maker
- Ice Bin
- Full-Width Crisper Drawer
- Glass Crisper Cover
- Partial Freezer Shelf

INSTALLING YOUR REFRIGERATOR

Unpacking Your Refrigerator

⚠️ WARNING

Excessive Weight Hazard

Use two or more people to move and install refrigerator.

Failure to do so can result in back or other injury.

Removing Packaging Materials

- Remove tape and any labels from your refrigerator before using (except the model and serial number label).

To remove any remaining tape or glue, rub the area briskly with your thumb. Tape or glue residue can also be easily removed by rubbing a small amount of liquid dish soap over the adhesive with your fingers. Wipe with warm water and dry.

- Do not use sharp instruments, rubbing alcohol, flammable fluids, or abrasive cleaners to remove tape or glue. These products can damage the surface of your refrigerator. For more information, see "Refrigerator Safety" section.
- On some models, shelves, bins, door shelf rails, and other feature parts may be packaged in the Finishing Touches™ FeaturePak. Follow the instructions contained in the package for proper assembly.

IMPORTANT:

- Depending on your model, do not remove any permanent instruction labels inside your refrigerator, or the Tech Sheet that is fastened behind the base grille.
- Depending on your model, do not remove the white Styrofoam insert that is located behind the control panel on the ceiling of the refrigerator. The insert is part of the refrigerator and not part of the packing material. If the insert is removed, ice may migrate down from the freezer and cause icicles to form.

Space Requirements

⚠️ WARNING

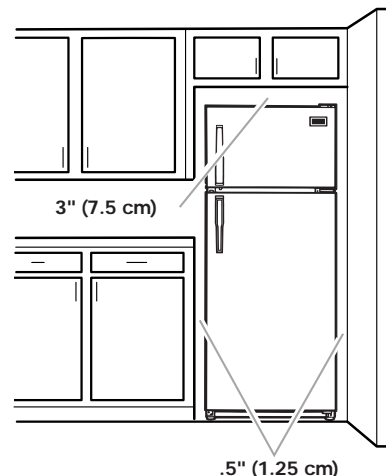


Explosion Hazard

Keep flammable materials and vapors, such as gasoline, away from refrigerator.

Failure to do so can result in death, explosion, or fire.

- To ensure proper ventilation for your refrigerator, allow for a .5" (1.25 cm) space on each side
- Allow 3" (7.5 cm) of space between overhead cabinets and refrigerator top.
- Allow at least 1" (2.5 cm) between back of cabinet and the wall.




- If your refrigerator has an ice maker, make sure you leave some extra space at the back for the water line connections.
- If you are installing your refrigerator next to a fixed wall, leave 2" (5 cm) minimum on the hinge side (depending on your model) to allow for the door to swing open.
- Level the refrigerator (See "Door Closing and Alignment").

NOTE: Do not install the refrigerator near an oven, radiator, or other heat source, nor in a location where the temperature will fall below 40° F (5° C).

Electrical Requirements

⚠ WARNING



Electrical Shock Hazard

Plug into a grounded 3 prong outlet.

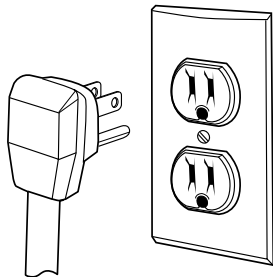
Do not remove ground prong.

Do not use an adapter.

Do not use an extension cord.

Failure to follow these instructions can result in death, fire, or electrical shock.

Before you move your refrigerator into its final location, it is important to make sure you have the proper electrical connection:



Recommended Grounding Method

A 115 Volt, 60 Hz., AC only 15 or 20 ampere fused, grounded electrical supply is required. It is recommended that a separate circuit serving only your refrigerator be provided. Use an outlet that cannot be turned off by a switch. Do not use an extension cord.

NOTE: Before performing any type of installation, cleaning, or removing a light bulb, turn the control, (Thermostat, Refrigerator or Freezer Control depending on the model) to OFF and then disconnect the refrigerator from the electrical source. When you are finished, reconnect the refrigerator to the electrical source and reset the control (Thermostat, Refrigerator or Freezer Control depending on the model) to the desired setting.

Connecting the Refrigerator to a Water Source

Read all directions carefully before you begin.

IMPORTANT:

- If operating the refrigerator before installing the water connection, turn ice maker to the OFF position to prevent operation without water.
- All installations must be in accordance with local plumbing code requirements.
- Use copper tubing and check for leaks.
- Install copper tubing only in areas where temperatures will remain above freezing.
- It may take up to 24 hours for your ice maker to begin producing ice.

Tools required:

- Standard screwdriver
- 7/16-inch and 1/2-inch open-end wrenches or two adjustable wrenches
- 1/4-inch nut driver
- 1/4-inch drill bit
- Hand drill or electric drill (properly grounded)

NOTE: Your refrigerator dealer has a kit available with a 1/4-inch saddle-type shut-off valve, a union, and copper tubing. Before purchasing, make sure a saddle-type valve complies with your local plumbing codes. Do not use a piercing-type or 3/16-inch saddle valve which reduces water flow and clogs more easily.

Cold Water Supply

The ice maker water valve contains a flow washer which is used as a water pressure regulator. The ice maker needs to be connected to a cold water line with water pressure between 30 and 120 psi. If a problem occurs, call your utility company.

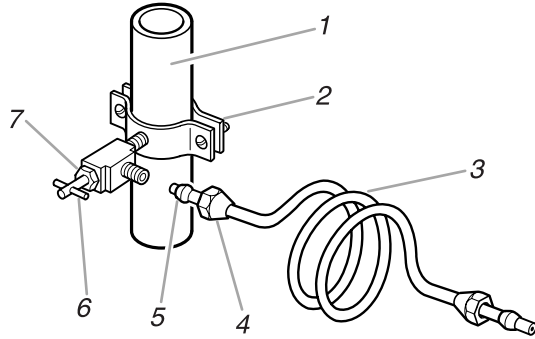
Connecting to water line:

1. Unplug refrigerator or disconnect power.
2. Turn OFF main water supply. Turn ON nearest faucet long enough to clear line of water.
3. Find a 1/2-inch to 1 1/4-inch vertical COLD water pipe near the refrigerator.

NOTE: Horizontal pipe will work, but the following procedure must be followed: Drill on the top side of the pipe, not the bottom. This will help keep water away from the drill. This also keeps normal sediment from collecting in the valve.

4. To determine the length of copper tubing you will need, measure from connection on lower left rear of refrigerator to water pipe. Add 7 feet (2.1 m) to allow for moving refrigerator for cleaning. Use 1/4-inch O.D. (outside diameter) copper tubing. Be sure both ends of copper tubing are cut square.

- Using a grounded drill, drill a ¼-inch hole in the cold water pipe you have selected.



- Cold Water Pipe
- Pipe Clamp
- Copper Tubing
- Compression Nut
- Compression Sleeve
- Shut Off Valve
- Packing Nut

- Fasten shut-off valve to cold water pipe with pipe clamp. Be sure outlet end is solidly in the ¼-inch drilled hole in the water pipe and that washer is under the pipe clamp. Tighten packing nut. Tighten the pipe clamp screws carefully and evenly so washer makes a watertight seal. Do not overtighten or you may crush the copper tubing, especially if soft (coiled) copper tubing is used. Now you are ready to connect the copper tubing.
- Slip compression sleeve and compression nut on copper tubing as shown. Insert end of tubing into outlet end squarely as far as it will go. Screw compression nut onto outlet end with adjustable wrench. Do not overtighten.
- Place the free end of the tubing into a container or sink, and turn ON main water supply and flush out tubing until water is clear. Turn OFF shut-off valve on the water pipe. Coil copper tubing.

Connecting to refrigerator:

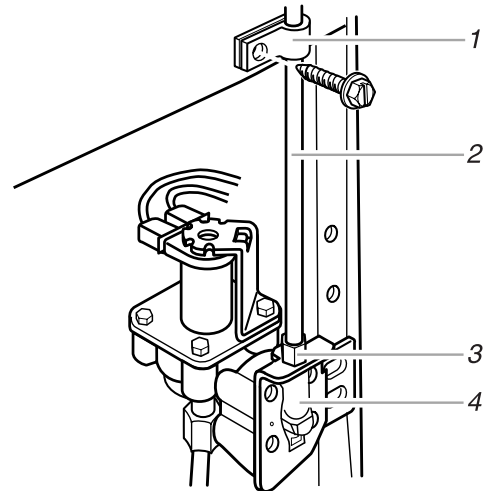
NOTE: The first step for connecting the water line to your refrigerator is different depending on the type of water valve provided with your refrigerator. See the diagrams below to determine the style of valve you have. (On kit models, assemble water valve to refrigerator per kit instructions.)

- For Style 1,** disconnect the tube clamp on the back of the product and insert the copper tubing through the clamp, as shown. Remove the tape label from the valve inlet and insert copper tubing until it bottoms out (approximately ¾-inch). Tighten nut by hand as much as possible; then turn the nut an additional ½ turn using a wrench. Do not overtighten. Re-attach the tube clamp and tube to the back of the cabinet. Skip to Step 2.

For Style 2, disconnect the tube clamp on the back of the product and insert copper tubing through the clamp as shown. Attach the copper tube to the valve inlet using a compression nut and sleeve as shown. Tighten the compression nut. Do not overtighten. Re-attach the tube clamp and tube to the back of the cabinet. Move to Step 2.

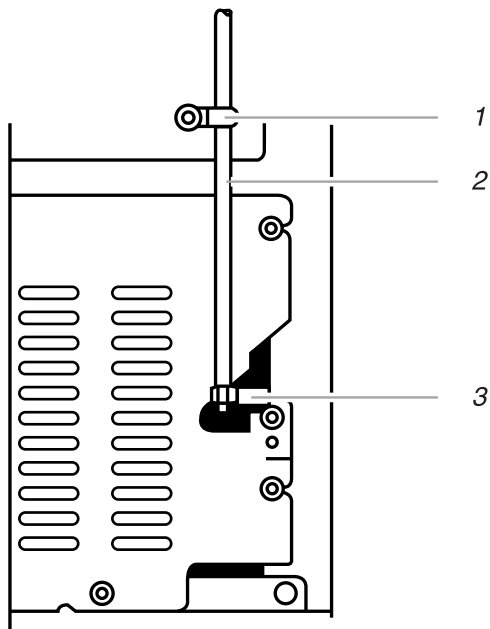
- Turn shut-off valve ON. Check For Leaks. Tighten any connections (including connections at the valve) or nuts that leak.**

Style 1



- Tube Clamp
- Copper Tubing
- Compression Nut
- Valve Inlet

Style 2



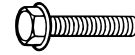
1. Tube Clamp
2. Copper Tubing
3. Compression Nut

3. The ice maker is equipped with a built-in water strainer. If local water conditions require periodic cleaning or a well is your source of water supply, a second water strainer should be installed in the 1/4-inch water line. Obtain a water strainer from your nearest appliance dealer. Install at either tube connection.
4. Plug in refrigerator or reconnect power.

Reversing the Door Swing

TOOLS NEEDED:

5/16-inch hex-head socket wrench, No. 2 Phillips screwdriver, flat-head screwdriver, 1/2-inch open-end wrench, flat 2-inch putty knife.



5/16 inch Hex-Head Hinge Screw



Door Stop Screw



Sealing Screw (use on top of doors)

SUGGESTION: Reversing the door swing should be performed by a qualified person.

IMPORTANT: Before you begin, turn the refrigerator OFF, unplug it, and remove any food from door shelves.

To remove doors from hinges:

1. Keep doors closed until ready to lift free from the cabinet.
2. Start at the top hinge and work your way down to the center hinge and bottom hinge. Remove all screws and components as shown.
3. Open and lift doors off hinges.

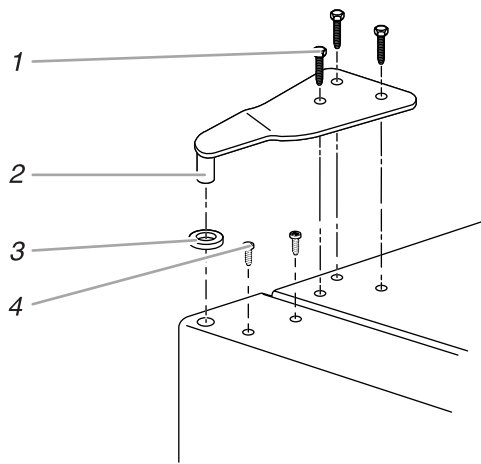
NOTE: If you are reversing the door swing, you should move the handles while the doors are off of the refrigerator. Follow the instructions in the "Reversing the Door Handles" section.

To replace doors on hinges:

1. Remove hole plugs covering the screw holes on the opposite side of the refrigerator using a flat putty knife.
2. Replace the doors.
3. Start at the bottom hinge and work your way up to the center hinge and top hinge replacing all components and screws as shown.
4. Line up doors so they are centered between the sides of the cabinet and parallel with each other.
5. Fill all unused openings with screws or plastic hole plugs. Moisture will enter any unfilled openings.

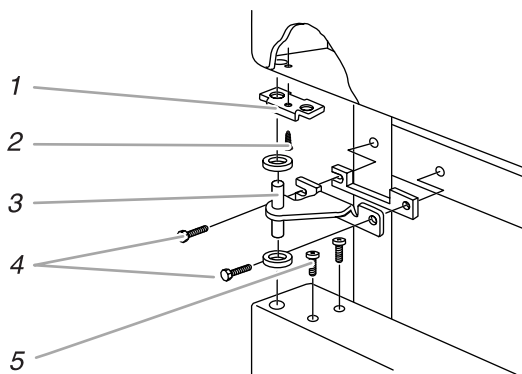
NOTE: If the doors are not closing on their own, see the "Door Closing and Alignment" section.

Top Hinge



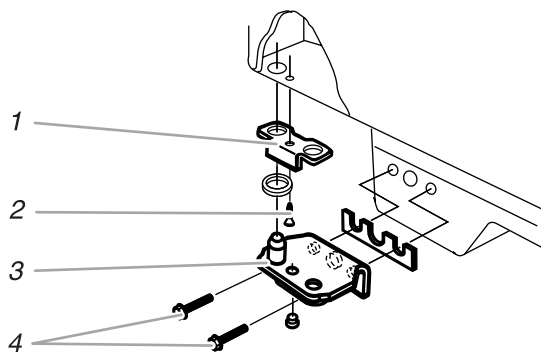
1. Hex-Head Hinge Screws
2. Top Hinge
3. Spacer
4. Sealing Screws

Center Hinge



1. Door Stop
2. Door Stop Screw
3. Center Hinge
4. Hex-Head Hinge Screws
5. Sealing Screws

Bottom Hinge



1. Door Stop
2. Door Stop Screw
3. Bottom Hinge
4. Hex-Head Hinge Screws

Reversing the Door Handles



Cone Screw (Use on Top and Bottom of Handles)



Countersink Screw



Handle Screw (Use on Front of Handles)

To remove handles:

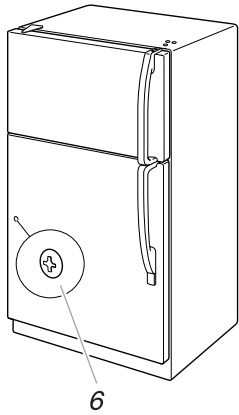
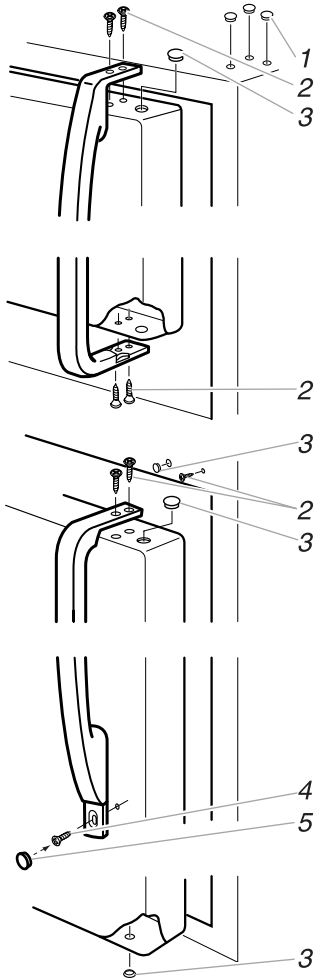
1. Remove freezer handle assembly as shown. Keep all parts together.
2. Remove refrigerator handle bottom screw. Pry off screw cover and remove screw.
3. Remove refrigerator handle assembly as shown. Keep all parts together.

To reinstall freezer handle:

1. Position freezer handle on the opposite side of the freezer door and install top two screws.
2. Install the bottom two screws.
3. Tighten all screws.

To reinstall refrigerator handle:

1. Unscrew the hole plug in the refrigerator door and screw it into place on the opposite side.
2. Position the refrigerator handle on the refrigerator door and attach it at the top with two screws.
3. Align the lower portion of the handle and attach it to the refrigerator with one screw.
4. Position screw cover over the screw and push it until it snaps into place.



1. Plugs
2. Countersink Screws
3. Plug
4. Handle Screw
5. Screw Cover
6. Plug

Door Closing and Alignment

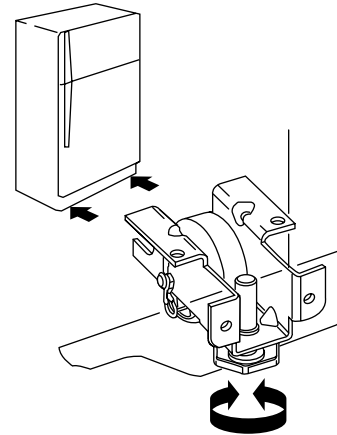
Your refrigerator has two front adjustable rollers – one on the right and one on the left. If your refrigerator seems unsteady or you want the doors to close easier, adjust the refrigerator's tilt using the instructions below:

1. Roll out the refrigerator and use a level to check the floor at the back from side-to-side. If needed, use shims to level the back of the refrigerator if it is uneven. Roll the refrigerator back into place with the rear rollers on top of any shim(s) used so that the rear of the refrigerator is level.

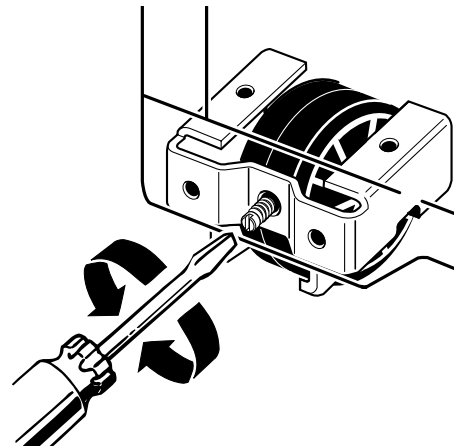
2. With the rear already level and the refrigerator in place, use the bottom leveling screws to level the refrigerator from side-to-side. They are part of the front roller assemblies, which are found at the base of the refrigerator on either side.

NOTE: Having someone push against the top of the refrigerator takes some weight off the leveling screws and rollers. This makes it easier to adjust the screws.

Style 1



Style 2



3. Depending on your model, to level your refrigerator you may either turn the screw clockwise to raise that side of the refrigerator or turn the screw counterclockwise to lower that side. Place a level on top of the refrigerator to check adjustments.

4. If the doors do not close on their own, you will need to raise the front of the refrigerator so it is slightly higher than the back. To do this, turn both leveling screws clockwise ½ turn.

IMPORTANT: Be sure to turn both screws an equal amount or the refrigerator will no longer be level side-to-side.

5. Open doors and check if they close automatically. If not, repeat steps 3 and 4.
6. Using a level, check to see if the refrigerator is still level side-to-side. Readjust if necessary.

Understanding Sounds You May Hear

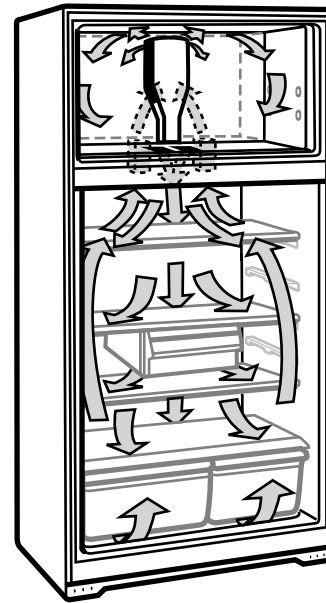
Your new refrigerator may make sounds that your old one didn't make. Because the sounds are new to you, you might be concerned about them. Most of the new sounds are normal. Hard surfaces, like the floor, walls, and cabinets, can make the sounds seem louder than they actually are. The following describes the kinds of sounds and what may be making them.

- If your product is equipped with an ice maker, you will hear a buzzing sound when the water valve opens to fill the ice maker for each cycle.
- The defrost timer will click when the automatic defrost cycle begins and ends. Also, the Thermostat Control (or Refrigerator Control depending on the model), will click when cycling on and off.
- Rattling noises may come from the flow of refrigerant, the water line, or items stored on top of the refrigerator.
- Your refrigerator is designed to run more efficiently to keep your food items at the desired temperature. The high efficiency compressor may cause your new refrigerator to run longer than your old one, and you may hear a pulsating or high-pitched sound.
- Water dripping on the defrost heater during a defrost cycle may cause a sizzling sound.
- You may hear the evaporator fan motor circulating the air through the refrigerator and freezer compartments.
- As each cycle ends, you may hear a gurgling sound due to the refrigerant flowing in your refrigerator.
- Contraction and expansion of the inside walls may cause a popping noise.
- You may hear air being forced over the condenser by the condenser fan.
- You may hear water running into the drain pan during the defrost cycle.

USING YOUR REFRIGERATOR

Ensuring Proper Air Circulation

In order to ensure proper temperatures, you need to permit air flow between the refrigerator and freezer sections. As shown in the illustration, cool air enters through the bottom of the freezer section and moves up. Most of the air then flows through the freezer section vents and recirculates under the freezer floor. The rest of the air enters the refrigerator section through the top vent.



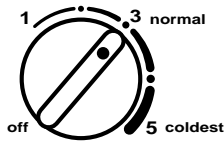
Do not block any of these vents with food packages. If the vents are blocked, airflow will be prevented and temperature and moisture problems may occur.

IMPORTANT: Because air circulates between both sections, any odors formed in one section will transfer to the other. You must thoroughly clean both sections to eliminate odors. To prevent odor transfer and drying out of food, wrap or cover foods tightly. (See the "Food Storage Guide" section for details.)

Setting the Control

For your convenience, the Temperature Control is preset at the factory. The control for the refrigerator and freezer is located in the top of the refrigerator section. It controls the temperature in both the refrigerator and freezer compartments.

When you first install your refrigerator, make sure that the Temperature Control is still preset. The Temperature Control should be at the "mid-setting" (3), as shown in the illustration below.



NOTE: Turning the Temperature Control to OFF stops cooling in both the refrigerator and freezer compartments, but does not disconnect the refrigerator from the power supply.

Give your refrigerator time to cool down completely before adding food. It is best to wait 24 hours before you put food into the refrigerator.

IMPORTANT: If you add food before the refrigerator has cooled completely, your food may spoil. **Turning the Temperature Control to a higher (colder) than recommended setting will not cool the compartments any faster.**

Adjusting Control Settings

Give the refrigerator time to cool down completely before adding food. It is best to wait 24 hours before you put food into the refrigerator. The "mid-setting" (3) indicated in the previous section should be correct for normal household refrigerator usage. The control is set correctly when milk or juice is as cold as you like and when ice cream is firm.

The Temperature Control functions as the thermostat for the entire product (refrigerator and freezer sections). The higher the number setting, the longer the compressor will run to keep the temperature colder.

Use the settings listed in the chart below as a guide. **Always remember to wait at least 24 hours between adjustments.**

| CONDITION/REASON: | RECOMMENDED ADJUSTMENT: |
|---|---|
| REFRIGERATOR section too warm <ul style="list-style-type: none"> ■ Door opened often ■ Large amount of food added ■ Room temperature very warm | Turn TEMPERATURE Control to next higher number, wait 24 hours, then re-check |
| FREEZER section too warm/ice not made fast enough <ul style="list-style-type: none"> ■ Door opened often ■ Large amount of food added ■ Very cold room temperature (can't cycle often enough) ■ Heavy ice usage ■ Air diffuser blocked by items | Turn TEMPERATURE Control to next higher number, wait 24 hours, then re-check Move items out of airstream |
| REFRIGERATOR section too cold <ul style="list-style-type: none"> ■ Control not set correctly for your conditions | Turn TEMPERATURE Control to next lower number, wait 24 hours, then re-check |
| FREEZER section too cold <ul style="list-style-type: none"> ■ Control not set correctly for your conditions | Turn TEMPERATURE control to next lower number, wait 24 hours, then re-check |

Food Storage Guide

Storing Fresh Food

Wrap or store food in the refrigerator in airtight and moisture-proof material unless otherwise noted. This prevents food odor and taste transfer throughout the refrigerator. For dated products, check code date to ensure freshness.

Butter or margarine

Keep opened butter in covered dish or closed compartment. When storing an extra supply, wrap in freezer packaging and freeze.

Cheese

Store in the original wrapping until you are ready to use it. Once opened, rewrap tightly in plastic wrap or aluminum foil.

Milk

Wipe milk cartons. For best storage, place milk on interior shelf.

Eggs

Store in original carton on interior shelf.

Fruit

Wash, let dry, and store in refrigerator in plastic bags or crisper. Do not wash or hull berries until they are ready to use. Sort and keep berries in original container in a crisper, or store in a loosely closed paper bag on a refrigerator shelf.

Leafy vegetables

Remove store wrapping and trim or tear off bruised and discolored areas. Wash in cold water and drain. Place in plastic bag or plastic container and store in crisper.

Vegetables with skins (carrots, peppers)

Place in plastic bags or plastic container and store in crisper.

Fish

Use fresh fish and shellfish the same day as purchased.

Meat

Store most meat in original wrapping as long as it is airtight and moisture-proof. Rewrap if necessary. See the following chart for storage times. When storing meat longer than the times given, freeze the meat.

| | |
|---|-----------|
| Chicken..... | 1-2 days |
| Ground beef..... | 1-2 days |
| Variety meats (liver, heart, etc.)..... | 1-2 days |
| Cold cuts..... | 3-5 days |
| Steaks/roasts..... | 3-5 days |
| Cured meats..... | 7-10 days |

Leftovers

Cover leftovers with plastic wrap or aluminum foil. Plastic containers with tight lids can also be used.

Storing Frozen Food

NOTE: For further information about preparing food for freezing or food storage times, check a freezer guide or reliable cookbook.

Packaging

Successful freezing depends on the correct packaging. When you close and seal the package you must not allow air or moisture in or out. If you do, you could have food odor and taste transfer throughout the refrigerator, and also dry out frozen food.

Packaging recommendations:

- Rigid plastic containers with tight-fitting lids
- Straight-sided canning/freezing jars
- Heavy-duty aluminum foil
- Plastic-coated paper
- Non-permeable plastic wraps (made from saran film)
- Specified freezer self-sealing plastic bags

Follow package or container instructions for proper freezing methods.

Do not use:

- Bread wrappers
- Non-polyethylene plastic containers
- Containers without tight lids
- Wax paper or wax-coated freezer wrap
- Thin, semi-permeable wrap

Freezing

Your freezer will not quick-freeze any large quantity of food. Put no more unfrozen food into the freezer than will freeze within 24 hours (no more than 2 to 3 lbs of food per cubic foot [907-1,350 g per liter] of freezer space). Leave enough space in the freezer for air to circulate around packages. Be careful to leave enough room at the front so the door can close tightly.

Storage times will vary according to the quality and type of food, the type of packaging or wrap used (airtight and moisture-proof), and the storage temperature. Ice crystals inside a sealed package are normal. This simply means that moisture in the food and air inside the package have condensed, creating ice crystals.

NOTE: Allow hot foods to cool at room temperature for 30 minutes, then package and freeze. Cooling hot foods before freezing saves energy.

REFRIGERATOR FEATURES

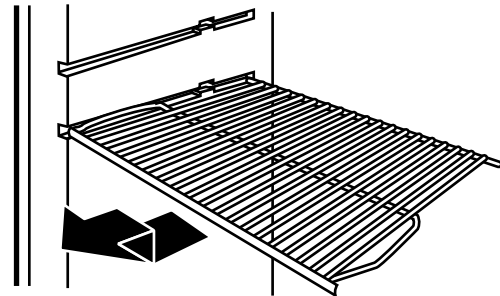
Refrigerator Shelves

The shelves in your refrigerator are adjustable to match your individual storage needs.

Storing similar food items together in your refrigerator and adjusting the shelves to fit different heights of items will make finding the exact item you want easier. It will also reduce the amount of time the refrigerator door is open, and save energy.

To remove a shelf:

1. Remove items from the shelf.
2. Slide shelf straight out to the stop.
3. Depending on your model, lift back or front of shelf to pass stop.
4. Slide shelf out the rest of the way.



To replace a shelf:

1. Slide back of shelf into shelf track in wall of cabinet.
2. Guide front of shelf into shelf track.
3. Slide shelf in all the way.

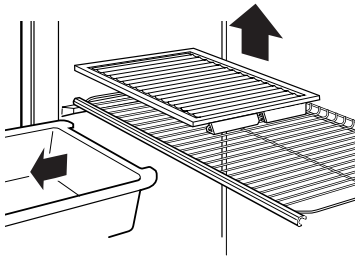
Meat Drawer and Cover (on some models)

To remove the meat drawer:

1. Slide meat drawer out to the stop.
2. Lift front of meat drawer with one hand while supporting bottom of drawer with other hand. Slide drawer out the rest of the way.
3. Replace by sliding the drawer back in fully past the drawer stop.

To remove the cover:

1. Remove meat drawer.
2. Push cover back to release the rear clips from the shelf.
3. Tilt cover up at the front.
4. Pull cover forward and out.



To replace the cover:

1. Fit notches and clips on underside of cover over rear and center crossbars on the shelf.
2. Lower cover into place.
3. Pull cover forward to secure rear clips onto the shelf.
4. Replace the meat drawer.

Crisper and Crisper Cover (on some models)

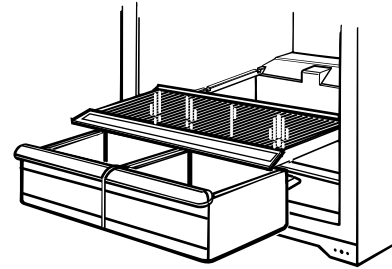
To remove the crisper(s):

1. Slide crisper(s) straight out to the stop.
2. Lift the front.
3. Slide out the rest of the way.
4. Replace the crisper(s) in reverse order.

Style 1

To remove the plastic cover:

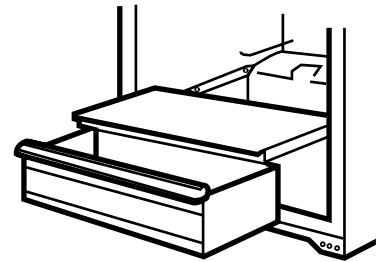
1. Remove crisper(s).
2. Lift cover front and remove the cover support.
3. Lift cover up and slide out.



Style 2

To remove the glass cover:

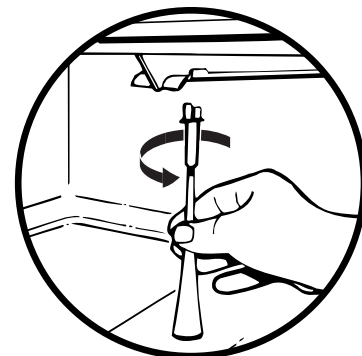
1. Pull the glass straight out.
2. Replace in reverse order.



To replace the cover:

1. Fit cover tabs into lowest cabinet slots and push in. Lower the front retainers into place.
2. Insert cover support (with the long tab toward the front) into the groove on the underside of the cover.

NOTE: If the support needs adjustment, turn base clockwise to raise or counter-clockwise to lower.



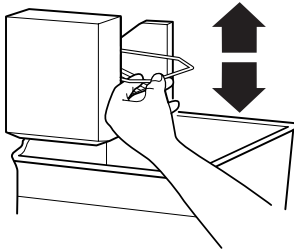
Ice Maker Operation (on some models)

After the freezer section reaches normal freezer temperature, the ice maker fills with water and begins forming ice. Allow 24 hours to produce the first batch of ice. Ice maker should then produce approximately 7 to 9 batches of ice in a 24-hour period. Discard the first three batches of ice produced to avoid impurities that may be flushed out of the system.

After ice is made, the ice cubes drop into the storage bin. When ice storage bin is full, ice maker arm raises to the "OFF" position (arm up). If ice is not needed, you can stop the ice maker by raising the arm to the "OFF" position (arm up). Listen for a click sound to be sure that the ice maker will not continue to operate.

To start ice maker, lower arm to the "ON" position (arm down). Do not force arm up or down. Do not store anything on top of the ice maker or in the ice storage bin.

- The ON/OFF lever for the ice maker is a wire signal arm located on the side of the ice maker. Push the arm down to start making ice automatically, and push it up to shut off the ice maker.



- It is normal for the ice cubes to be attached at the corners. They will break apart easily.
- The ice maker will not operate until the freezer is cold enough to make ice. This can take as long as overnight.
- If you remove the ice bin, raise the signal arm to shut off the ice maker. When you replace the bin, push it in all the way and lower the ice maker signal arm to the "ON" position.

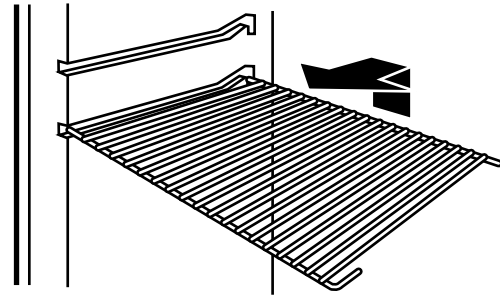
REMEMBER:

- The quality of your ice will be only as good as the quality of the water supplied to your ice maker.
- Avoid connecting the ice maker to a softened water supply. Water softener chemicals (such as salt) can damage parts of the ice maker and lead to poor quality ice. If a softened water supply cannot be avoided, make sure the water softener is operating properly and is well maintained.

Freezer Shelf (on some models)

To remove the shelf:

1. Remove items from the shelf.
2. Lift back of shelf over stop.
3. Slide shelf straight out.



To replace the shelf:

1. Slide back of shelf into shelf tracks on walls of cabinet.
2. Slide shelf in all the way.

CARING FOR YOUR REFRIGERATOR

Cleaning Your Refrigerator

⚠ WARNING



Explosion Hazard

Use nonflammable cleaner.

Failure to do so can result in death, explosion, or fire.

Both the refrigerator and freezer sections defrost automatically. However, clean both sections about once a month to prevent odors from building up. Wipe up spills immediately.

Energy Saving Tip:

Clean the condenser coils regularly, as described in the cleaning chart in this section.

To clean your refrigerator:

- Unplug refrigerator or disconnect power.
- Remove all removable parts from inside, such as shelves, crispers, etc.
- Use a clean sponge or soft cloth and a mild detergent in warm water. Do not use abrasive or harsh cleaners.
- Hand wash, rinse, and dry all surfaces thoroughly.
- Plug in refrigerator or reconnect power.

■ Additional cleaning tips are listed below:

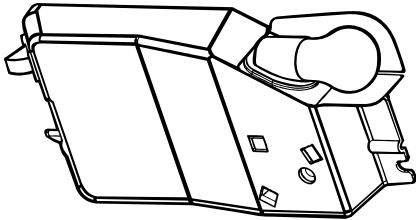
| PART | COMMENTS |
|--|--|
| Outside | <ul style="list-style-type: none"> ■ Waxing external painted metal surfaces helps provide rust protection. Do not wax plastic parts. Wax painted metal surfaces at least twice a year using appliance wax (or auto paste wax). Apply wax with a clean, soft cloth. |
| Inside walls (allow freezer to warm up so cloth won't stick) | <ul style="list-style-type: none"> ■ To help remove odors, you can wash with a mixture of warm water and baking soda (2 tbs to 1 qt [26 g to .95 L] of water). |
| Door liners and gaskets | <ul style="list-style-type: none"> ■ Do not use cleaning waxes, concentrated detergents, bleaches, or cleaners containing petroleum on plastic parts. |
| Plastic parts (covers and panels) | <ul style="list-style-type: none"> ■ Do not use paper towels, window sprays, scouring cleansers or flammable fluids. These can scratch or damage material. |
| Condenser coils | <ul style="list-style-type: none"> ■ Roll refrigerator out away from the wall. ■ Vacuum coils when dusty or dirty. Coils may need to be cleaned as often as every other month. ■ Roll refrigerator back into place. Make sure to leave 1 inch (2.5 cm) between the cabinet back and the wall. ■ Check to see if the refrigerator is level. |

Changing the Light Bulb

NOTE: Not all appliance bulbs will fit your refrigerator. Be sure to replace the bulb with one of the same size, shape, and wattage.

To change the refrigerator light:

1. Unplug refrigerator or disconnect power.
2. Reach behind the Control Panel and unscrew the bulb.
3. Replace the bulb with a 40-watt appliance bulb.
4. Plug in refrigerator or reconnect power.



Power Interruptions

If the electricity in your house goes off, call the power company and ask how long it will be off.

1. If the power will be out for **24 hours or less**, keep both refrigerator doors closed to help foods stay cold and frozen.
2. If the power will be out for **more than 24 hours**:
 - a) Remove all frozen food and store it in a frozen food locker.

OR

 - b) Place 2 lbs (907 g) of dry ice in the freezer for every cubic foot (28 L) of freezer space. This will keep the food frozen for two to four days. While handling dry ice, wear gloves to protect your hands from ice burns.

OR

 - c) If neither a food locker nor dry ice is available, consume or can perishable food at once.

REMEMBER: A full freezer stays cold longer than a partially filled one. A freezer full of meat stays cold longer than a freezer full of baked goods. If you see that food contains ice crystals, it may be safely refrozen, although the quality and flavor may be affected. If the condition of the food is poor, or if you feel it is unsafe, dispose of it.

Vacation and Moving Care

Vacations

If you choose to leave the refrigerator on while you're away, use these steps to prepare your refrigerator before you leave.

1. Use up any perishables and freeze other items.
2. If your refrigerator has an automatic ice maker:
 - Raise ice maker arm to OFF (up) position.
 - Shut off water supply to the ice maker.
3. Empty the ice bin.

If you choose to turn the refrigerator off before you leave, follow these steps.

1. Remove all food from the refrigerator.
2. If your refrigerator has an automatic ice maker:
 - Turn off the water supply to the ice maker at least one day ahead of time.
 - When the last load of ice drops, raise the ice maker arm to the OFF (up) position.
3. Depending on your model, turn the Thermostat Control (or Refrigerator Control, depending on the model) to OFF. See the "Setting the Control" section.
4. Clean refrigerator, wipe it, and dry well.
5. Tape rubber or wood blocks to the tops of both doors to prop them open far enough for air to get in. This stops odor and mold from building up.

Moving

When you are moving your refrigerator to a new home, follow these steps to prepare it for the move.

1. If your refrigerator has an automatic ice maker:
 - Turn off the water supply to the ice maker at least one day ahead of time.
 - Disconnect the water line from the back of the refrigerator.
 - When the last load of ice drops, raise the ice maker arm to the OFF (up) position.
2. Remove all food from the refrigerator and pack all frozen food in dry ice.

3. Depending on your model, turn the Thermostat Control (or Refrigerator Control, depending on the model) to OFF. See the "Setting the Control" section.
4. Unplug the refrigerator.
5. Empty water from the defrost pan.
6. Clean, wipe, and dry thoroughly.
7. Take out all removable parts, wrap them well, and tape them together so they don't shift and rattle during the move.
8. Depending on the model, raise the front of the refrigerator so it rolls more easily OR screw in the leveling legs so they don't scrape the floor. See the "Door Closing and Alignment" section.
9. Tape the doors shut and the power cord to the refrigerator cabinet.

When you get to your new home, put everything back and refer to the "Installing Your Refrigerator" section for preparation instructions. Also, if your refrigerator has an automatic ice maker, remember to reconnect the water supply to the refrigerator.

TROUBLESHOOTING

Try the solutions suggested here first in order to avoid the cost of an unnecessary service call.

Your refrigerator will not operate

- **Is the power supply cord unplugged?**
Firmly plug the cord into a live outlet with proper voltage.
- **Has a household fuse or circuit breaker tripped?**
Replace the fuse or reset the circuit.
- **Is the Refrigerator Control turned to the "OFF" position?**
Refer to the "Setting the Control" section.
- **Is the refrigerator defrosting?**
Recheck to see if the refrigerator is operating in 30 minutes. Your refrigerator will regularly run an automatic defrost cycle.

The lights do not work

- **Is the power supply cord unplugged?**
Firmly plug the cord into a live outlet with proper voltage.
- **Is a light bulb loose in the socket?**
Turn the refrigerator control to OFF. Disconnect the refrigerator from the electrical supply. Gently remove the bulb and reinsert. Then reconnect the refrigerator to the electrical supply and reset the refrigerator control.
- **Has a light bulb burned out?**
Replace with an appliance bulb of the same wattage, size, and shape. See the "Changing the Light Bulb" section.

There is water in the defrost drain pan

- **Is the refrigerator defrosting?**
The water will evaporate. It is normal for water to drip into the defrost pan.
- **Is it more humid than normal?**
Expect that the water in the defrost pan will take longer to evaporate. This is normal when it is hot or humid.

The motor seems to run too much

- **Is the room temperature hotter than normal?**
Expect the motor to run longer under warm conditions. At normal room temperatures, expect your motor to run about 40% to 80% of the time. Under warmer conditions, expect it to run even more of the time.
- **Has a large amount of food just been added to the refrigerator?**
Adding a large amount of food warms the refrigerator. It is normal for the motor to run longer in order to cool the refrigerator back down. See the "Food Storage Guide" section.
- **Are the doors opened often?**
Expect the motor to run longer when this occurs. In order to conserve energy, try to get everything you need out of the refrigerator at once, keep food organized so it is easy to find, and close the door as soon as the food is removed.
- **Is the control set correctly for the surrounding conditions?**
Refer to the "Setting the Control" section.
- **Are the doors closed completely?**
Push the doors firmly shut. If they will not shut all the way, see "The doors will not close completely" later in this section.
- **Are the condenser coils dirty?**
This prevents air transfer and makes the motor work harder. Clean the condenser coils. Refer to the "Cleaning Your Refrigerator" section.

NOTE: Your new refrigerator will run longer than your old one due to its high efficiency motor.

The refrigerator seems to make too much noise

- **The sounds may be normal for your refrigerators.**
Refer to the "Understanding Sounds You May Hear" section.

The ice maker is not producing ice

- **Is the freezer temperature cold enough to produce ice?**
Wait 24 hours after hook-up for ice production. See the "Setting the Control" section.
- **Is the ice maker arm in the "OFF" (arm up) position?**
Lower arm to the "ON" (arm down) position. See the "Ice Maker Operation" section.

- **Is the water line shut-off valve to the refrigerator turned on?**
Turn on the water valve. See the "Connecting the Refrigerator to a Water Source" section.
- **Is an ice cube jammed in the ejector arm?**
Remove the ice from the ejector arm with a plastic utensil. Refer to the "Ice Maker Operation" section.
- **Does the ice maker mold have water in it or has no ice been produced?**
Check to see if your refrigerator has been connected to your home water supply and the supply shut-off valve is turned on. Refer to the "Connecting the Refrigerator to a Water Source" section.

NOTE: If not due to any of the above, there may be a problem with the water line. Call for service.

The ice maker is producing too little ice

- **Has the ice maker just been installed?**
Wait 72 hours for full ice production to begin. Once your refrigerator is cooled down, the ice maker should begin producing 70-120 cubes every 24 hours.
- **Has a large amount of ice just been removed?**
Allow 24 hours for ice maker to produce more ice.
- **Is the control set correctly?**
Refer to the "Setting the Control" section.
- **Is the water shut-off valve turned completely on?**
Turn valve on fully. Refer to the "Connecting the Refrigerator to a Water Source" section.
- **Is there a water filter installed on the refrigerator? This filter may be clogged or installed incorrectly.**
First, check the filter installation instructions to ensure that the filter was installed correctly and is not clogged. If installation or clogging is not a problem, call a qualified person or a technician.

Off-taste or odor in the ice

- **Are the plumbing connections new, causing discolored or off-flavored ice?**
Discard the first few batches of ice.
- **Have the ice cubes been stored for too long?**
Throw old ice away and make a new supply.
- **Has food in the refrigerator been wrapped properly?**
Refer to the "Food Storage Guide" section.
- **Do the freezer and ice bin need to be cleaned?**
See the "Cleaning Your Refrigerator" section.
- **Does the water contain minerals (such as sulfur)?**
A filter may need to be installed to remove the minerals.

The divider between the two compartments is warm

The warmth is probably due to normal operation of the automatic exterior moisture control.

Temperature is too warm

- **Are the air vents blocked in either compartment? This prevents the movement of cold air from the freezer to the refrigerator.**
Remove any objects from in front of the air vents. Refer to “Ensuring Proper Air Circulation” for the location of air vents.
- **Are the door(s) opened often?**
Be aware that the refrigerator will warm when this occurs. In order to keep the refrigerator cool, try to get everything you need out of the refrigerator at once, keep food organized so it is easy to find, and close the door as soon as the food is removed.
- **Has a large amount of food just been added to the refrigerator or freezer?**
Adding a large amount of food warms the refrigerator. It can take several hours for the refrigerator to return to the normal temperature.
- **Is the control set correctly for the surrounding conditions?**
Refer to the “Setting the Control” section.

There is interior moisture build-up

- **Are the air vents blocked in the refrigerator?**
Remove any objects from in front of the air vents. Refer to “Ensuring Proper Air Circulation” for the location of air vents.
- **Is the door opened often?**
To avoid humidity build-up, try to get everything you need out of the refrigerator at once, keep food organized so it is easy to find, and close the door as soon as the food is removed. (When the door is opened, humidity from the room air enters the refrigerator. The more often the door is opened, the faster humidity builds up, especially when the room itself is very humid.)
- **Is the room humid?**
It is normal for moisture to build up inside the refrigerator when the room air is humid.
- **Is the food packaged correctly?**
Check that all food is securely wrapped. If necessary, repackage food according to the guidelines in the “Food Storage Guide” section. Wipe off damp food containers before placing in the refrigerator.
- **Is the control set correctly for the surrounding conditions?**
Refer to the “Setting the Control” section.
- **Was a self-defrost cycle completed?**
It is normal for droplets to form on the back wall after the refrigerator self-defrosts.

The doors are difficult to open

- **Are the gaskets dirty or sticky?**
Clean gaskets and the surface that they touch. Rub a thin coat of paraffin wax on the gaskets following cleaning.

The doors will not close completely

- **Are food packages blocking the door open?**
Rearrange containers so that they fit more tightly and take up less space.
- **Is the ice bin out of position?**
Push the ice bin in all the way.
- **Are the crisper cover, pans, shelves, bins, or baskets out of position?**
Put the crisper cover and all pans, shelves, bins, and baskets back into their correct positions. See the “Refrigerator Features” section for more information.
- **Are the gaskets sticking?**
Clean gaskets and the surface that they touch. Rub a thin coat of paraffin wax on the gaskets following cleaning.
- **Does the refrigerator wobble or seem unstable?**
Level the refrigerator. Refer to the “Door Closing and Alignment” section.
- **Were the doors removed during product installation and not properly replaced?**
Remove and replace the doors according to the “Reversing the Door Swing” section, or call a qualified service technician.

ASSISTANCE OR SERVICE

Before calling for assistance or service, please check "Troubleshooting." It may save you the cost of a service call. If you still need help, follow the instructions below.

When calling, please know the purchase date and the complete model and serial number of your appliance. This information will help us to better respond to your request.

If you need replacement parts

If you need to order replacement parts, we recommend that you only use FSP® replacement parts. FSP® replacement parts will fit right and work right, because they are made with the same precision used to build every new Roper appliance. To locate FSP® replacement parts in your area, call our Consumer Assistance Center telephone number or your nearest designated service center.

In the U.S.A.

Call the Consumer Assistance Center toll free at 1-800-44-ROPER (1-800-447-6737). Our consultants provide assistance with:

- Features and specifications on our full line of appliances.
- Installation information.
- Use and maintenance procedures.
- Accessory and repair parts sales.
- Specialized customer assistance (Spanish speaking, hearing impaired, limited vision, etc.).
- Referrals to local dealers, repair parts distributors, and service companies. Whirlpool designated service technicians are trained to fulfill the product warranty and provide after-warranty service, anywhere in the United States.

To locate the Whirlpool designated service company in your area, you can also look in your telephone directory Yellow Pages.

For further assistance

If you need further assistance, you can write to Whirlpool with any questions or concerns at:

Whirlpool Brand Home Appliances
Consumer Assistance Center
c/o Correspondence Dept.
2000 North M-63
Benton Harbor, MI 49022-2692

Please include a daytime phone number in your correspondence.

In Canada

Call the Inglis Limited Consumer Assistance Center toll free: 1-800-461-5681 8:30 a.m. - 6:00 p.m. (EST)

Our consultants provide assistance with:

- Features and specifications on our full line of appliances.
- Referrals to local dealers.

For service in Canada

Call 1-800-807-6777. Inglis Limited designated service technicians are trained to fulfill the product warranty and provide after-warranty service, anywhere in Canada.

For further assistance

If you need further assistance, you can write to Inglis Limited with any questions or concerns at:

Consumer Relations Center
Inglis Limited
1901 Minnesota Court
Mississauga, Ontario L5N 3A7

Please include a daytime phone number in your correspondence.

ROPER® REFRIGERATOR WARRANTY

ONE-YEAR FULL WARRANTY ON REFRIGERATOR

For one year from the date of purchase, when this refrigerator is operated and maintained according to instructions attached to or furnished with the product, Whirlpool will pay for FSP® replacement parts and repair labor to correct defects in materials or workmanship. Service must be provided by a Whirlpool designated service company.

FIVE-YEAR FULL WARRANTY ON SEALED REFRIGERATION SYSTEM

For five years from the date of purchase, when this refrigerator is operated and maintained according to instructions attached to or furnished with the product, Whirlpool will pay for FSP® replacement parts and repair labor to correct defects in materials or workmanship in the sealed refrigeration system. These parts are: Compressor, evaporator, condenser, dryer, connecting tubing. Service must be provided by a Whirlpool designated service company.

Whirlpool will not pay for:

1. Service calls to correct the installation of your refrigerator, to instruct you how to use your refrigerator, to replace house fuses or correct house wiring or plumbing, to replace light bulbs.
 2. Repairs when your refrigerator is used in other than normal, single-family household use.
 3. Pickup and delivery, your refrigerator is designed to be repaired in the home.
 4. Damage to your refrigerator caused by accident, misuse, fire, flood, acts of God, or use of products not approved by Whirlpool.
 5. Any food loss due to product failure.
 6. Repairs to parts or systems resulting from unauthorized modifications made to the appliance.
 7. Replacement parts or repair labor cost for units operated outside the United States and Canada.
-

WHIRLPOOL CORPORATION AND INGLIS LIMITED SHALL NOT BE LIABLE FOR INCIDENTAL OR CONSEQUENTIAL DAMAGES.

Some states or provinces do not allow the exclusion or limitation of incidental or consequential damages, so this exclusion or limitation may not apply to you. This warranty gives you specific legal rights, and you may also have other rights which vary from state to state or province to province.

Outside the United States and Canada, a different warranty may apply. For details, please contact your authorized Roper dealer.

If you need service, first see the "Troubleshooting" section of this book. After checking "Troubleshooting," additional help can be found by checking the "Assistance or Service" section or by calling the Consumer Assistance Center toll free at 1-800-44-ROPER (1-800-447-6737) from anywhere in the U.S.A. In Canada, contact the Customer Assistance Center at 1-800-461-5681 (toll free). Outside the U.S. and Canada, contact your authorized Roper dealer.

7/99

Keep this book and your sales slip together for future reference. You must provide proof of purchase or installation date for in-warranty service.

Write down the following information about your refrigerator to better help you obtain assistance or service if you ever need it. You will need to know your complete model number and serial number. You can find this information on the model and serial number label, located on your appliance as shown in the Parts and Features section of this book.

Dealer name _____

Address _____

Phone number _____

Model number _____

Serial number _____

Purchase date _____

SÉCURITÉ DU RÉFRIGÉRATEUR

Votre sécurité et celle des autres est très importante.

Nous donnons de nombreux messages de sécurité importants dans ce manuel et sur votre appareil ménager. Assurez-vous de toujours lire tous les messages de sécurité et de vous y conformer.



Voici le symbole d'alerte de sécurité.

Ce symbole d'alerte de sécurité vous signale les dangers susceptibles de causer le décès et des blessures graves à vous et à d'autres.

Tous les messages de sécurité seront précédés du symbole d'alerte de sécurité et du mot "DANGER" ou "AVERTISSEMENT". Ces mots signifient :

! DANGER

Risque certain de décès ou de blessure grave si vous ne suivez pas les instructions.

! AVERTISSEMENT

Risque possible de décès ou de blessure grave si vous ne suivez pas les instructions.

Tous les messages de sécurité identifient le danger et vous disent comment réduire le risque de blessure et ce qui peut se produire en cas de non-respect des instructions.

IMPORTANTES INSTRUCTIONS DE SÉCURITÉ

AVERTISSEMENT : Pour réduire les risques d'incendie, de choc électrique ou des blessures lors de l'utilisation du réfrigérateur, prendre quelques précautions fondamentales, y compris les suivantes :

- Brancher l'appareil sur une prise à 3 alvéoles reliée à la terre.
- Ne pas enlever la broche de liaison à la terre.
- Ne pas utiliser un adaptateur.
- Ne pas utiliser un câble de rallonge.
- Utiliser deux ou plus de personnes pour déplacer et installer le réfrigérateur.
- Débrancher la source de courant électrique avant l'entretien.
- Replacer tous les panneaux avant de faire la remise en marche.
- Utiliser un produit de nettoyage ininflammable.
- Garder les matériaux et les vapeurs inflammables, telle que l'essence, loin du réfrigérateur.
- Débrancher le réfrigérateur avant l'installation de la machine à glaçons.
- Utiliser un verre robuste pour prendre des glaçons ou de l'eau (sur certains modèles).
- Enlever les portes de votre vieux réfrigérateur.

CONSERVEZ CES INSTRUCTIONS

Mise au rebut de votre vieux réfrigérateur

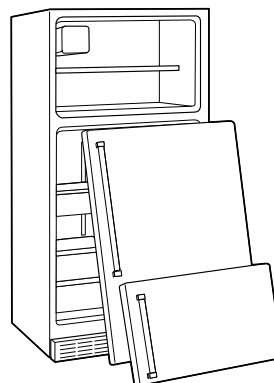
! AVERTISSEMENT

Risque de suffoquer

Enlever les portes de votre vieux réfrigérateur. Le non-respect de cette instruction peut causer un décès ou des lésions cérébrales.

Avant de jeter votre vieux réfrigérateur ou congélateur :

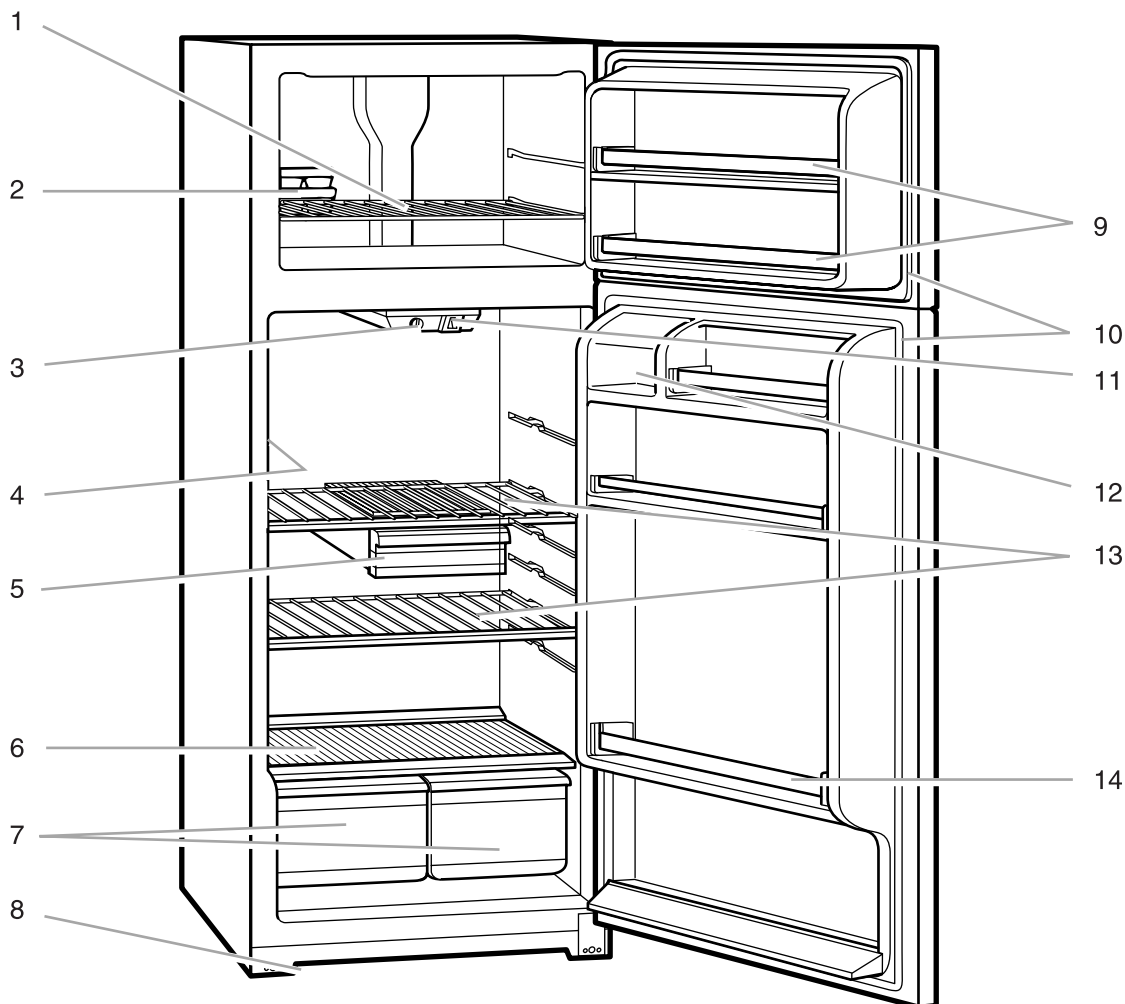
- Enlever les portes.
- Laisser les tablettes en place de sorte que les enfants ne peuvent pas y pénétrer facilement.



IMPORTANT – L'emprisonnement et l'étouffement des enfants ne sont pas un problème du passé. Les réfrigérateurs jetés ou abandonnés sont encore dangereux, même s'ils sont laissés abandonnés pendant "quelques jours seulement". Si vous vous débarrassez de votre vieux réfrigérateur, veuillez suivre les instructions suivantes pour aider à éviter les accidents.

PIÈCES ET CARACTÉRISTIQUES

Ce manuel couvre plusieurs modèles différents. Le réfrigérateur que vous avez acheté peut avoir certaines ou toutes les caractéristiques indiquées ci-dessous. Les emplacements des caractéristiques peuvent ne pas correspondre à votre modèle.



1. Clayette de congélateur réglable
2. Plateaux à glaçons
3. Tableau de commande
4. Plaque signalétique des numéros de modèle et de série
5. Bac à viande (sur certains modèles)
6. Couvercle de bac à légumes
7. Bacs à légumes
8. Roulettes de nivellement (non illustrées)
9. Tablettes de la porte du congélateur
10. Joints d'étanchéité de porte magnétiques
11. Commutateur d'éclairage

12. Compartiment utilitaire
13. Tablettes en verre ou clayettes réglables (le nombre varie selon le modèle)
14. Tablettes de porte

Autres pièces et caractéristiques (non illustrées ci-dessus/facultatives sur certains modèles)

Machine à glaçons automatique
Bac à glaçons
Bac à légumes pleine largeur
Couvercle de bac à légumes en verre
Clayette de congélateur partielle

INSTALLATION DU RÉFRIGÉRATEUR

Déballage de votre réfrigérateur

⚠ AVERTISSEMENT

Risque du poids excessif

Utiliser deux ou plus de personnes pour déplacer et installer le réfrigérateur.

Le non-respect de cette instruction peut causer une blessure au dos ou d'autre blessure.

Enlèvement des matériaux d'emballage

- Enlever le ruban adhésif et toutes les étiquettes de votre réfrigérateur avant de l'utiliser (excepté l'étiquette des numéros de modèle et de série).

Pour enlever ce qui reste du ruban adhésif ou de la colle, frotter la surface vivement avec le pouce. La colle ou l'adhésif qui reste peut être facilement enlevé par frottement avec les doigts et une petite quantité de savon liquide pour la vaisselle sur l'adhésif. Rincer à l'eau tiède et essuyer.

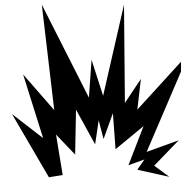
- Ne pas utiliser d'instruments coupants, d'alcool à friction, de liquides inflammables ou de nettoyants abrasifs pour enlever le ruban adhésif ou la colle. Ces produits peuvent endommager la surface de votre réfrigérateur. Voir "Important instructions de sécurité" pour plus de renseignements, à la section "Sécurité du réfrigérateur".
- Sur certains modèles, des tablettes, bacs, glissières de tablettes dans la porte et autres pièces peuvent être emballés dans des sacs spéciaux de finition FeaturePak. Suivre les instructions contenues dans l'emballage pour le montage approprié.

IMPORTANT :

- Selon le modèle que vous avez, ne pas enlever les étiquettes permanentes d'instruction à l'intérieur du réfrigérateur, ou la fiche technique fixée à la base de la grille.
- Selon le modèle que vous avez, ne pas enlever l'encart en mousse Styrofoam blanche situé derrière le panneau de réglage au plafond du réfrigérateur. L'encart fait partie du réfrigérateur et n'est pas un matériau d'emballage. Si l'encart est enlevé, de la glace peut se former en provenance du congélateur et causer la formation de glaçons.

Espacement requis

⚠ AVERTISSEMENT

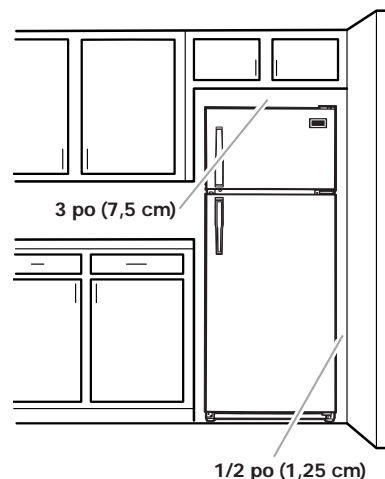


Risque d'explosion

Garder les matériaux et les vapeurs inflammables, telle que l'essence, loin du réfrigérateur.

Le non-respect de cette instruction peut causer un décès, une explosion ou un incendie.

- Pour obtenir une aération appropriée pour votre réfrigérateur, laisser un espace de 1/2 po (1,25 cm) de chaque côté.
- Laisser un espace de 3 po (7,5 cm) entre le dessus du réfrigérateur et le dessous des armoires.
- Laisser au moins 1 po (2,5 cm) entre l'arrière du réfrigérateur et le mur.



- Si votre réfrigérateur comporte une machine à glaçons, s'assurer qu'un espace additionnel est prévu à l'arrière pour permettre les connexions des conduits d'eau.
- Si vous installez votre réfrigérateur près d'un mur fixe, laisser un minimum de 2 po (5,08 cm) du côté des charnières (selon le modèle) pour permettre à la porte de s'ouvrir sans obstruction.
- Établir l'aplomb du réfrigérateur. (Voir "Fermeture et alignement des portes".)

REMARQUE : Ne pas installer le réfrigérateur près d'un four, d'un radiateur ou d'une autre source de chaleur, ni dans un endroit où la température baissera au-dessous de 40° F (5° C).

Spécifications électriques

⚠ AVERTISSEMENT



Risque de choc électrique

Brancher sur une prise à 3 alvéoles reliée à la terre.

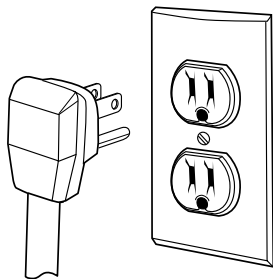
Ne pas enlever la broche de liaison à la terre.

Ne pas utiliser un adaptateur.

Ne pas utiliser un câble de rallonge.

Le non-respect de ces instructions peut causer un décès, un incendie ou un choc électrique.

Avant de placer le réfrigérateur à son emplacement final, il est important de vous assurer d'avoir la connexion électrique appropriée :



Méthode recommandée de mise à la terre

Une source d'alimentation de 115 volts, 60 Hz, type 15 ou 20 ampères CA seulement, protégée par fusibles et adéquatement mise à la terre est nécessaire. Il est recommandé d'utiliser un circuit distinct pour alimenter uniquement votre réfrigérateur. Utiliser une prise murale qui ne peut pas être mise hors circuit à l'aide d'un commutateur. Ne pas employer de rallonge.

REMARQUE : Avant d'exécuter toute type d'installation, nettoyage ou remplacement d'une ampoule d'éclairage, tourner le réglage (réglage du thermostat, du réfrigérateur ou du congélateur selon le modèle) à OFF (ARRÊT) et débrancher ensuite le réfrigérateur de la source d'alimentation électrique. Lorsque vous avez terminé, reconnecter le réfrigérateur à la source d'alimentation électrique et mettre de nouveau le réglage (réglage du thermostat, du réfrigérateur ou du congélateur selon le modèle) au réglage désiré.

Raccordement du réfrigérateur à une canalisation d'eau

Lire attentivement toutes les instructions avant de commencer.

IMPORTANT :

- Si on doit utiliser le réfrigérateur avant qu'il soit raccordé à la canalisation d'eau, placer la commande de la machine à glaçons à la position d'arrêt (OFF) pour empêcher que la machine à glaçons fonctionne sans eau.
- Toutes les installations doivent être conformes aux exigences des codes locaux de plomberie.
- Utiliser un tube en cuivre et vérifier s'il y a des fuites.
- Installer les tubes en cuivre seulement à des endroits où la température se maintient au-dessus du point de congélation.
- Une période d'attente allant jusqu'à 24 heures est nécessaire avant que l'appareil commence à produire des glaçons.

Outils requis :

- Tournevis standard
- Clés plates de $\frac{7}{16}$ po et $\frac{1}{2}$ po ou deux clés à molette réglables
- Tourne-écrou de $\frac{1}{4}$ po
- Foret de $\frac{1}{4}$ po
- Perceuse manuelle ou perceuse électrique (convenablement reliée à la terre)

REMARQUE : Votre marchand de réfrigérateurs présente une trousse disponible avec un robinet de genre à selle de $\frac{1}{4}$ po, un raccord et un tube en cuivre. Avant l'achat, s'assurer que le robinet de genre à selle est conforme à vos codes locaux de plomberie. Ne pas employer de robinet de genre à selle ou de $\frac{3}{16}$ po de type à percer, ce qui réduit le débit d'eau et cause une obstruction plus facilement.

Arrivée d'eau froide

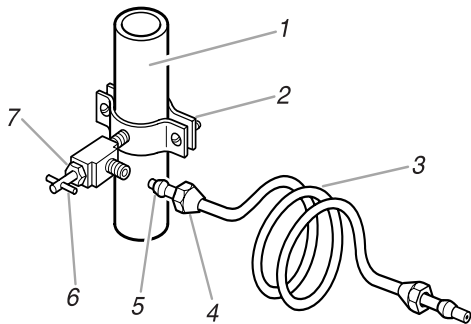
La valve d'entrée d'eau de la machine à glaçons comprend une rondelle de contrôle du débit, qui est utilisée comme élément de régulation de la pression d'eau. La machine à glaçons a besoin d'être connectée à une canalisation d'eau froide avec limitations de pression d'eau de 30 à 120 lb-po². Si un problème survient, contacter la compagnie de distribution d'eau.

Raccordement à une canalisation d'eau :

1. Débrancher le réfrigérateur ou déconnecter la source de courant électrique.
2. Fermer (OFF) le robinet principal d'arrivée d'eau. Ouvrir (ON) le robinet de puisage le plus proche pendant une période suffisante pour que la canalisation d'eau se vide.
3. Trouver une canalisation d'eau FROIDE verticale de 1,3 à 3,2 cm (½ po à 1¼ po) près du réfrigérateur.

REMARQUE : Un conduit horizontal fonctionnera, mais le procédé suivant doit être suivi : percer par le dessus de la canalisation et non pas par le dessous. Ainsi, l'eau ne risquera pas d'arroser la perceuse. Ceci empêche également les sédiments qu'on trouve normalement dans l'eau de s'accumuler dans le robinet d'arrêt.

4. Pour déterminer la longueur du tube en cuivre, il faut mesurer la distance entre le point de connexion à gauche au bas à l'arrière du réfrigérateur et le tuyau d'arrivée d'eau. Ajouter une longueur de 7 pieds (2,1 m) pour permettre le déplacement du réfrigérateur pour le nettoyage. Utiliser un tube en cuivre de ¼ po de diamètre. Veiller à ce que le tube soit coupé d'équerre aux deux extrémités.
5. À l'aide d'une perceuse électrique reliée à la terre, percer un trou de ¼ po dans le tuyau de canalisation d'eau froide choisie.



1. Canalisation d'eau froide
2. Bride de tuyau
3. Tube en cuivre
4. Écrou de compression
5. Bague de compression
6. Robinet d'arrêt
7. Écrou de serrage

6. Fixer le robinet sur la canalisation d'eau froide avec la bride de prise en charge. Vérifier que le raccord du robinet est bien engagé dans le trou de ¼-po percé dans la canalisation et que la rondelle d'étanchéité est placée sous la bride de prise en charge. Serrer l'écrou de serrage sur la tige du robinet. Serrer soigneusement et uniformément les vis fixant la bride de prise en charge sur la tuyauterie afin que la rondelle forme une jonction étanche. Ne pas serrer excessivement car ceci pourrait provoquer l'écrasement du tube en cuivre, particulièrement s'il s'agit d'un tube en cuivre malléable. On est maintenant prêt à connecter le tube de raccordement en cuivre.

7. Enfiler l'écrou et la bague de compression du raccord sur le tube en cuivre comme on le voit sur l'illustration. Insérer l'extrémité du tube aussi loin que possible dans l'ouverture de sortie du robinet. Visser l'écrou du raccord de compression sur le raccord de sortie avec une clé à molette réglable. Ne pas serrer excessivement.
8. Placer le bout libre du tube dans l'évier et OUVRIRE le robinet principal d'arrivée d'eau et laisser l'eau s'écouler par le tube jusqu'à ce que l'eau soit limpide. FERMER le robinet principal d'arrivée d'eau. Enrouler le tube en cuivre en spirale.

Raccordement au réfrigérateur :

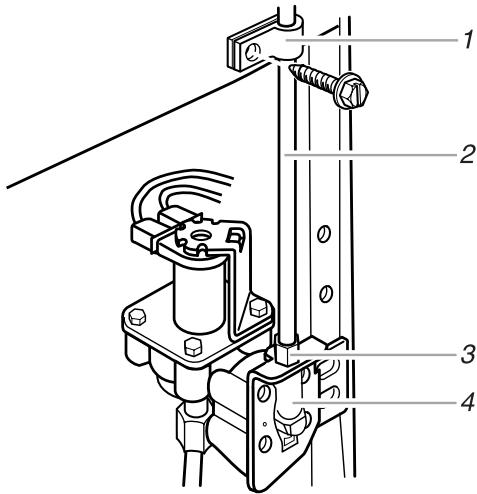
REMARQUE : La première étape pour le raccordement de la canalisation d'eau à votre réfrigérateur diffère en fonction du type de valve d'entrée d'eau dont est muni votre réfrigérateur. Voir les schémas ci-dessous pour déterminer le style de valve de votre réfrigérateur. (Pour les modèles en kit, installer la valve d'entrée d'eau sur le réfrigérateur conformément aux instructions du kit.)

1. **Pour le Style 1**, déconnecter la bride du tube à l'arrière du produit et introduire le tube en cuivre dans la bride, tel qu'indiqué. Ôter l'étiquette adhésive de l'entrée d'eau de la valve et insérer le tube de cuivre jusqu'au fond (environ ¾ de pouce). Serrer l'écrou manuellement le plus possible, puis le tourner d'un demi-tour de plus avec une clé. Ne pas serrer excessivement. Réattacher la bride du tube et le tube à l'arrière de la caisse. Passer à l'étape 2.

Pour le Style 2, déconnecter la bride du tube à l'arrière du produit et introduire le tube en cuivre dans la bride, tel qu'indiqué. Connecter le tube en cuivre à l'entrée d'eau de la valve en utilisant un écrou et une bague de compression tel qu'illustré. Serrer l'écrou de compression. Ne pas serrer excessivement. Réattacher la bride du tube et le tube à l'arrière de la caisse. Passer à l'étape 2.

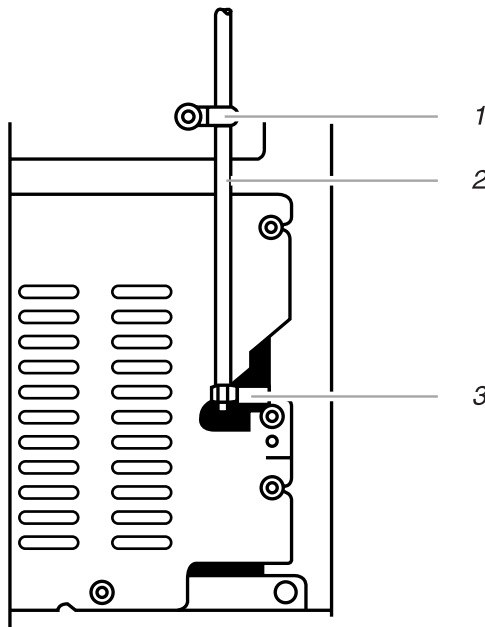
2. **OUVRIR le robinet d'arrêt. Inspecter pour rechercher les fuites. Serrer tous les raccords (y compris les raccordements de la valve d'entrée d'eau) ou les écrous qui coulent.**

Style 1



1. Bride du tube
2. Tube en cuivre
3. Écrou de compression
4. Entrée d'eau de la valve

Style 2



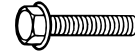
1. Bride du tube
2. Écrou en cuivre
3. Bague de compression

3. La machine à glaçons est équipée d'un filtre à eau incorporé. Si la qualité de l'eau distribuée localement nécessite un nettoyage périodique, ou si l'eau qui alimente l'appareil provient d'un puits, il serait utile d'installer un deuxième filtre dans le tube de raccordement de 1/4 po. On peut obtenir un tel filtre à eau chez le marchand d'appareils électroménagers le plus proche. Installer le filtre au niveau de n'importe laquelle des connexions du tube de raccordement.
4. Brancher le réfrigérateur ou reconnecter la source de courant électrique.

Inversion du sens d'ouverture des portes

OUTILS REQUIS :

Clé à douille hexagonale de 5/16 po, tournevis Phillips N° 2, tournevis à lame plate, clé à bout ouvert de 1/2 po, couteau à mastic plat de 2 po .



Vis hexagonale de 5/16 po de charnières



Vis d'arrêt de porte



Vis de fixation (sommets de portes)

SUGGESTION : L'inversion du sens d'ouverture des portes devrait être exécutée par une personne qualifiée.

IMPORTANT : Avant de commencer, tourner l'interrupteur du réfrigérateur à OFF (ARRÊT), le débrancher et enlever tout aliment des tablettes dans la porte.

Pour enlever les portes des charnières :

1. Garder les portes fermées jusqu'au moment où elles sont prêtes à être enlevées du cabinet.
2. Commencer à la charnière supérieure puis descendre vers la charnière centrale et la charnière inférieure. Enlever toutes les vis et tous les composants tel qu'indiqué.
3. Ouvrir et soulever les portes des charnières.

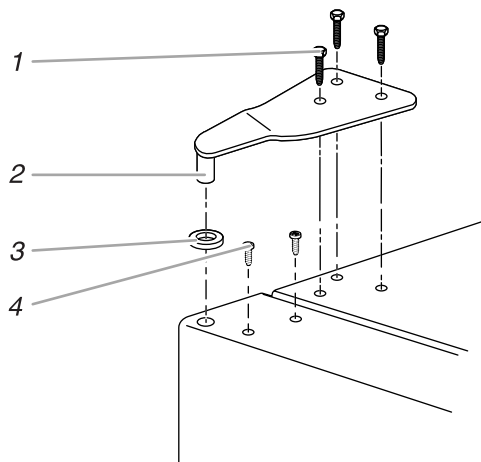
REMARQUE : Si on inverse le sens d'ouverture des portes, on devrait déplacer les poignées alors que les portes sont enlevées du réfrigérateur. Suivre les instructions à la section "Inversion des poignées de porte".

Pour réinstaller les portes sur les charnières :

1. Ôter les bouchons couvrant les trous des vis au côté opposé du réfrigérateur, en utilisant un couteau à mastic plat.
2. Réinstaller les portes.
3. Commencer par la charnière inférieure et monter vers la charnière centrale et la charnière supérieure en remplaçant tous les composants et vis tel qu'indiqué.
4. Aligner les portes de telle sorte qu'elles soient centrées entre les côtés du cabinet et parallèles l'une à l'autre.
5. Fermer toutes les ouvertures inutilisées avec des vis ou des bouchons de plastique. L'humidité pénétrera par toute ouverture laissée ouverte.

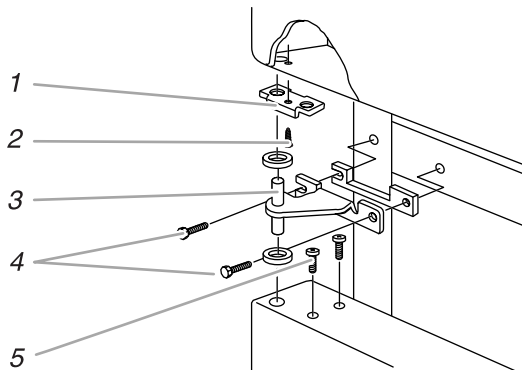
REMARQUE : Si les portes ne ferment pas d'elles-mêmes, voir la section "Fermeture et alignement des portes".

Charnière supérieure



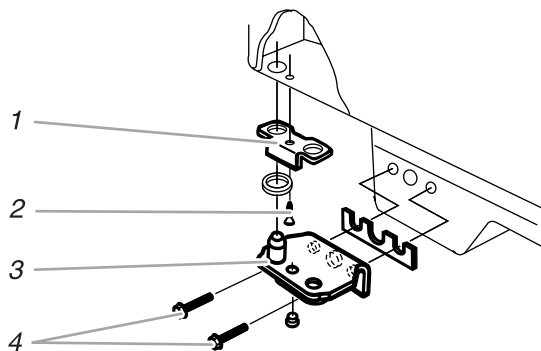
- 1 Vis à tête hexagonale pour charnières
- 2 Charnière supérieure
- 3 Rondelle
4. Vis de fixation

Charnière centrale



1. Butée de porte
2. /Vis d'arrêt de porte
3. Charnière centrale
4. Vis à tête hexagonale pour charnières
5. Vis de fixation

Charnière inférieure



1. Butée de porte
2. Vis d'arrêt de porte
3. Charnière inférieure
4. Vis à tête hexagonale pour charnières

Inversion des poignées de porte



Vis conique (poignées supérieure et inférieure)



Vis à tête noyée



Vis de poignée (devant des poignées)

Pour enlever les poignées :

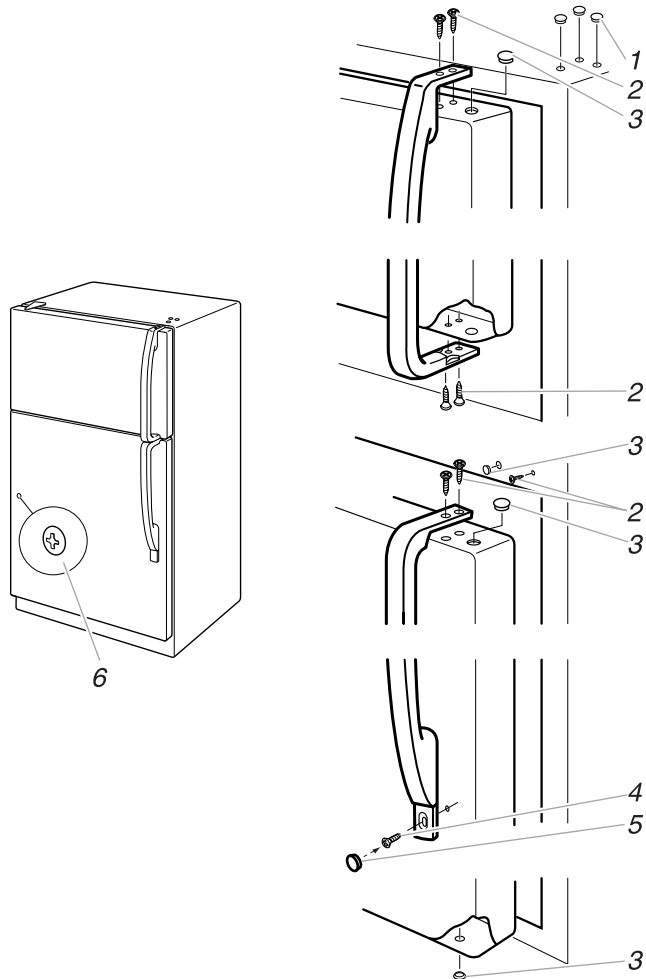
1. Enlever le montage de la poignée du congélateur comme illustré. Garder toutes les pièces ensemble.
2. Enlever la vis au bas de la poignée du réfrigérateur. Ôter en le soulevant le couvercle de la vis et enlever la vis.
3. Enlever la poignée du réfrigérateur tel qu'indiqué. Conserver les pièces ensemble.

Pour réinstaller la poignée du congélateur :

1. Positionner la poignée du congélateur du côté opposé de la porte du congélateur et installer les 2 vis supérieures.
2. Installer les 2 vis inférieures.
3. Serrer toutes les vis.

Pour réinstaller la poignée du réfrigérateur :

1. Enlever le bouchon du trou de la porte du réfrigérateur et le visser en place au côté opposé.
2. Positionner la poignée du réfrigérateur sur la porte du réfrigérateur et la fixer au sommet avec les 2 vis.
3. Aligner la portion inférieure de la poignée et la fixer au réfrigérateur avec une vis.
4. Placer le couvercle de la vis sur la vis et appuyer jusqu'à l'embôtement en place.



1. Bouchons
2. Vis à tête noyée
3. Bouchon
4. Vis de poignée
5. Couvercle de vis
6. Bouchon

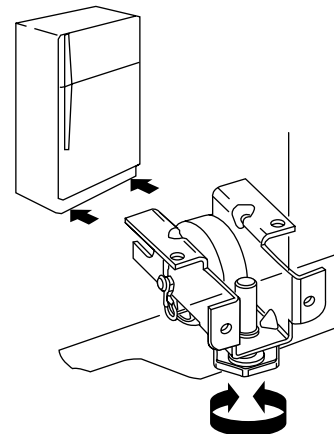
Fermeture et alignement des portes

Votre réfrigérateur comporte deux roulettes réglables à l'avant – l'une du côté droit et l'autre du côté gauche. Si votre réfrigérateur semble instable ou si vous désirez que les portes se ferment plus facilement, faire le réglage de l'inclinaison du réfrigérateur en suivant les instructions ci-dessous :

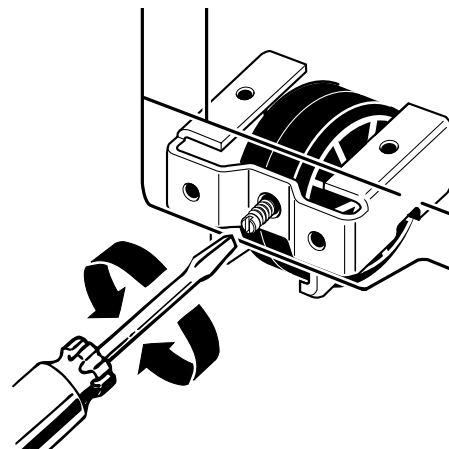
1. Faire rouler le réfrigérateur hors de son emplacement et utiliser un niveau pour vérifier l'aplomb du plancher à l'arrière et dans le sens transversal. Au besoin, utiliser des cales pour niveler l'arrière du réfrigérateur. Rouler de nouveau le réfrigérateur dans son emplacement en veillant à ce que les roulettes arrière se trouvent sur les cales utilisées de telle sorte que l'arrière du réfrigérateur soit d'aplomb.
2. Avec l'arrière déjà d'aplomb et le réfrigérateur en place, utiliser les vis de nivellement pour mettre le réfrigérateur d'aplomb dans le sens transversal. Elles font partie d'un montage de roulettes avant qui sont à la base du réfrigérateur d'un côté et de l'autre.

REMARQUE : Si une autre personne pousse le haut du réfrigérateur, le poids devient moins lourd sur les vis de nivellement et les roulettes, ce qui rend plus facile l'ajustement des vis.

Style 1



Style 2



3. Selon votre modèle, pour mettre le réfrigérateur d'aplomb, vous pouvez tourner la vis dans le sens horaire pour soulever ce côté du réfrigérateur ou dans le sens antihoraire pour abaisser ce côté. Mettre un niveau sur le dessus du réfrigérateur pour vérifier les ajustements.
4. Si les portes ne ferment pas d'elles-mêmes, il faudra soulever l'avant du réfrigérateur de telle sorte qu'il soit légèrement plus élevé que l'arrière. À cette fin, tourner les deux vis de nivellement de ½ tour dans le sens horaire.

IMPORTANT : Veiller à tourner les deux vis également sinon le réfrigérateur ne sera plus d'aplomb dans le sens transversal.

5. Ouvrir les portes et vérifier si elles se ferment automatiquement. Sinon, répéter les étapes 3 et 4.
6. À l'aide d'un niveau, vérifier si le réfrigérateur est encore d'aplomb dans le sens transversal. Le réajuster au besoin.

Les bruits de l'appareil que vous pouvez entendre

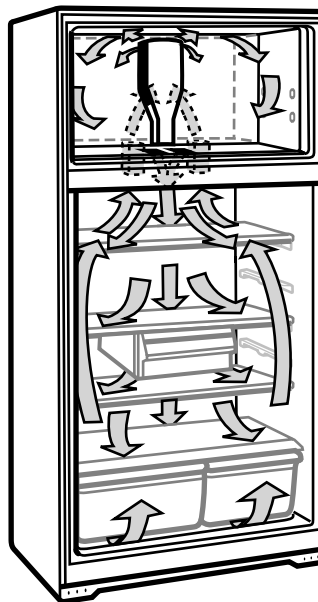
Il est possible que le réfrigérateur neuf émette des bruits que l'appareil précédent ne produisait pas. Comme ces bruits sont nouveaux, ils peuvent vous inquiéter. La plupart de ces nouveaux bruits sont normaux. Des surfaces dures comme le plancher, les murs et les armoires peuvent faire paraître les bruits plus forts qu'en réalité. Les descriptions suivantes indiquent le genre de bruits et leur origine.

- Si votre appareil est équipé d'une machine à glaçons, vous entendrez un bruit de gargouillement lorsque la valve d'eau s'ouvre pour remplir la machine à glaçons pour chaque programme.
- La minuterie de dégivrage fera entendre un bruit lorsque le programme de dégivrage automatique commence et se termine. Également, la commande du thermostat (ou le réglage du réfrigérateur selon le modèle) laissera entendre un bruit lorsque le programme est mis en marche et lorsqu'il est arrêté.
- Les vibrations sonores peuvent provenir de l'écoulement du réfrigérant, de la canalisation d'eau ou d'articles placés sur le réfrigérateur.
- Votre réfrigérateur est conçu pour fonctionner plus efficacement afin de garder les aliments à la température désirée. Le compresseur très efficace peut faire fonctionner votre réfrigérateur neuf plus longtemps que l'ancien et vous pouvez entendre des bruits aigus ou des vibrations sonores.
- L'eau qui dégoutte sur le dispositif de chauffage durant le programme de dégivrage peut produire un grésillement.
- Vous pouvez entendre le moteur du ventilateur d'évaporation qui fait circuler l'air dans le réfrigérateur et le congélateur.
- À la fin de chaque programme, vous pouvez entendre un gargouillement attribuable au réfrigérant qui se trouve dans votre réfrigérateur.
- La contraction et l'expansion des parois internes peuvent produire un bruit sec.
- Vous pouvez entendre de l'air qui est transmis au condenseur dans le ventilateur du condenseur.
- Vous pouvez entendre l'écoulement de l'eau dans le plat de récupération d'eau de dégivrage pendant le programme de dégivrage.

UTILISATION DU RÉFRIGÉRATEUR

Pour s'assurer d'une circulation d'air appropriée

Pour s'assurer d'avoir des températures appropriées, il faut permettre à l'air de circuler entre les deux sections du réfrigérateur et du congélateur. Comme l'indique l'illustration, l'air froid pénètre à la base de la section du congélateur et se déplace vers le haut. La plus grande partie de l'air circule ensuite à travers la section du congélateur et recircule sur le plancher du congélateur. Le reste de l'air pénètre dans la section du réfrigérateur en passant par l'ouverture d'aération supérieure.



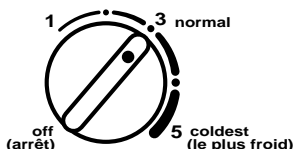
Ne pas obstruer l'une ou l'autre de ces ouvertures d'aération avec des aliments emballés. Si les ouvertures d'aération sont bloquées, le courant d'air sera empêché et des problèmes de température et d'humidité peuvent survenir.

IMPORTANT : Comme l'air circule entre les deux sections, toutes les odeurs formées dans une section seront transférées à l'autre. Vous devez nettoyer à fond les deux sections pour éliminer les odeurs. Pour empêcher le transfert d'odeurs et l'assèchement des aliments, envelopper ou recouvrir légèrement les aliments. (Voir les détails à la section "Guide d'entreposage des aliments".)

Réglage des commandes

Pour vous accommoder, les commandes du réfrigérateur sont pré-réglées à l'usine. La commande pour le réfrigérateur et le congélateur se trouve à la partie supérieure de la section de réfrigération. Elle contrôle la température dans les sections de réfrigération et de congélation.

Au moment de l'installation initiale du réfrigérateur, s'assurer que la commande de température est encore pré-réglée. La commande de température devrait se trouver au réglage moyen (3), tel qu'indiqué dans l'illustration ci-dessous.



REMARQUE : tourner la commande de température à OFF arrête le refroidissement dans les sections de réfrigération et de congélation, mais ne déconnecte pas le réfrigérateur de la source d'alimentation.

Donner au réfrigérateur le temps de se refroidir complètement avant d'y ajouter des aliments. Il est mieux d'attendre 24 heures avant de placer des aliments dans le réfrigérateur.

IMPORTANT : Si vous ajoutez des aliments avant que le réfrigérateur ne soit complètement refroidi, vos aliments peuvent se gâter. **Tourner les réglages du réfrigérateur à un niveau plus élevé (plus froid) que les réglages recommandés ne refroidira pas les compartiments plus vite.**

Ajustement des réglages de commande

Donner au réfrigérateur le temps de refroidir complètement avant d'ajouter des aliments. Il vaut mieux attendre 24 heures avant de placer des aliments dans le réfrigérateur. Les réglages "moyens" (3) indiqués à la section précédente devraient être corrects pour l'utilisation normale du réfrigérateur domestique. Les réglages sont faits correctement lorsque le lait ou le jus est aussi froid que vous les aimez et lorsque la crème glacée est ferme.

Le réglage de la température fonctionne comme un thermostat pour tout l'appareil (réfrigérateur et congélateur). Plus le chiffre est élevé sur le réglage, plus le compresseur fonctionnera longtemps pour maintenir la température plus froide.

Utiliser les réglages indiqués au tableau ci-dessous comme guide. **Toujours se souvenir d'attendre au moins 24 heures entre les ajustements.**

| CONDITION/RAISON: | AJUSTEMENT RECOMMANDÉ : |
|--|--|
| Section du RÉFRIGÉRATEUR trop tiède <ul style="list-style-type: none">■ Porte fréquemment ouverte■ Grande quantité d'aliments ajoutée■ Température ambiante très chaude | Tourner le réglage de la TEMPÉRATURE au chiffre ÉLEVÉ suivant, attendre 24 heures, puis vérifier de nouveau |
| Section du CONGÉLATEUR trop tiède/glaçons non préparés assez vite <ul style="list-style-type: none">■ Porte fréquemment ouverte■ Grande quantité d'aliments ajoutée■ Température ambiante très froide (programme en fonctionnement trop peu fréquent)■ Usage intense de glaçons■ Articles bloquant la diffusion d'air | Tourner le réglage de la TEMPÉRATURE au chiffre plus élevé suivant, attendre 24 heures, puis vérifier de nouveau Déplacer les articles hors du courant d'air |
| Section du RÉFRIGÉRATEUR trop froide <ul style="list-style-type: none">■ Réglage incorrect fait pour les conditions existantes | Tourner le réglage de la TEMPÉRATURE au chiffre plus bas suivant, attendre 24 heures, puis vérifier de nouveau |
| Section du CONGÉLATEUR trop froide <ul style="list-style-type: none">■ Réglage incorrect pour les conditions existantes | Tourner le réglage de la TEMPÉRATURE au chiffre plus bas suivant, attendre 24 heures, puis vérifier de nouveau |

Guide d'entreposage des aliments

Conservation des aliments frais

Des aliments placés au réfrigérateur doivent être enveloppés ou gardés dans un emballage hermétique et à l'épreuve de l'humidité à moins d'indications contraires. Ceci empêche l'odeur et le goût des aliments de se répandre dans tout le réfrigérateur. Pour des produits datés, vérifier les dates indiquées pour s'assurer de la fraîcheur des aliments.

Beurre ou margarine

Garder le beurre entamé dans un beurrier muni d'un couvercle ou dans un compartiment fermé. Lors de la conservation de quantités supplémentaires, utiliser un emballage pour congélateur et faire congeler.

Fromage

Conserver dans son emballage original jusqu'à l'emploi. Une fois le paquet ouvert, réemballer hermétiquement le fromage dans une pellicule en plastique ou du papier d'aluminium.

Lait

Essuyer les contenants. Pour qu'il se conserve mieux, placer le lait sur une tablette à l'intérieur.

Œufs

Conserver les œufs dans le carton original sur une tablette à l'intérieur.

Fruits

Laver, laisser sécher et mettre au réfrigérateur dans un sac en plastique ou dans le bac à légumes. Ne pas laver ni équeuter les petits fruits avant le moment de leur utilisation. Les trier et les conserver dans l'emballage original dans le bac à légumes ou les conserver sur une tablette du réfrigérateur dans un sac fermé en papier sans être serré.

Légumes à feuilles

Retirer l'emballage original et couper ou éliminer les sections endommagées et décolorées. Laver à l'eau froide et égoutter. Placer dans un sac ou un contenant en plastique et ranger dans le bac à légumes.

Légumes à pelure (carottes, poivrons)

Placer dans des sacs en plastique ou contenants en plastique et ranger dans le bac à légumes.

Poisson

Utiliser du poisson et des fruits de mer frais le jour même de leur achat.

Viande

La plupart des viandes peuvent être conservées dans leur emballage original tant que cet emballage est hermétique et à l'épreuve de l'humidité. Emballer de nouveau si nécessaire. Voir le tableau suivant pour les périodes de conservation. Si la viande doit être conservée pour une période plus longue que la durée donnée, faire congeler la viande.

| | |
|--|--------------|
| Poulet..... | 1 à 2 jours |
| Boeuf haché..... | 1 à 2 jours |
| Abats comestibles (foie, coeur, etc.)..... | 1 à 2 jours |
| Charcuterie | 3 à 5 jours |
| Steaks/rôtis..... | 3 à 5 jours |
| Viandes traitées | 7 à 10 jours |

Les restes

Couvrir les restes avec de la pellicule en plastique ou du papier d'aluminium. Il est convenable aussi d'utiliser des contenants en plastique avec couvercle hermétique.

Conservation des aliments congelés

REMARQUE : Pour plus de renseignements au sujet de la préparation des aliments pour la congélation ou pour les temps de conservation d'aliments, consulter un guide pour congélateur ou un livre de recettes fiable.

Emballage

Le secret d'une congélation efficace réside dans l'emballage. Il doit être fermé et scellé de façon à empêcher la pénétration et l'évacuation de l'air ou de l'humidité. Toute autre méthode d'emballage risque d'entraîner la propagation des saveurs et d'odeurs dans tout le réfrigérateur et l'assèchement des aliments congelés.

Recommandations pour l'emballage :

- Contenants rigides en plastique avec couvercles hermétiques
- Bocaux de conserve/congélation à bord droit
- Papier d'aluminium résistant
- Papier recouvert de plastique
- Emballages en papier étanche (pellicule Saran)
- Sacs en plastique autohermétiques spécifiés pour congélateur

Suivre les instructions de l'emballage ou du contenant pour les méthodes de congélation appropriées.

Ne pas utiliser :

- Emballages pour le pain
- Contenants en plastique autres qu'en polyéthylène
- Contenants sans couvercle hermétique
- Papier paraffiné ou emballage pour congélateur enduit de cire
- Emballage mince semi-perméable

Congélation

Le congélateur ne congèlera pas rapidement une grande quantité d'aliments. Ne pas placer plus d'aliments non congelés dans le congélateur que la quantité qui congèlera dans l'intervalle de 24 heures (pas plus de 907 à 1350 g par litre [2 à 3 lb] d'aliments par pied cube d'espace dans le congélateur). Laisser assez d'espace pour permettre la circulation d'air entre les emballages. S'assurer aussi de laisser assez d'espace à l'avant pour que la porte se ferme hermétiquement.

Les périodes de conservation varieront selon la qualité et le type des aliments, le type d'emballage et le type de pellicule utilisés (hermétiques et à l'épreuve de l'humidité) et la température d'entreposage. Les cristaux de glace à l'intérieur d'un emballage scellé sont normaux. Les cristaux signifient simplement que l'humidité dans les aliments et l'air à l'intérieur de l'emballage se sont condensés en créant des cristaux de glace.

REMARQUE : Laisser les aliments chauds refroidir à la température de la pièce pendant 30 minutes, ensuite préparer l'emballage et faire congeler. Le refroidissement des aliments chauds avant la congélation économise de l'énergie.

CARACTÉRISTIQUES DU RÉFRIGÉRATEUR

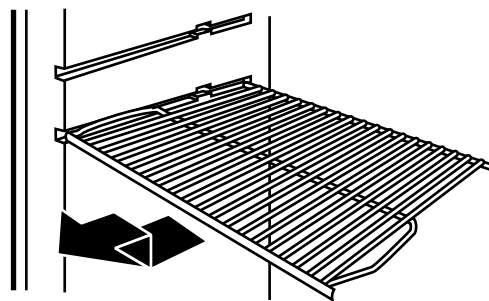
Tablettes du réfrigérateur

Les tablettes dans votre réfrigérateur peuvent être réglées pour correspondre à vos besoins individuels.

Le remisage d'aliments semblables ensemble dans le réfrigérateur et le réglage des tablettes pour convenir à différentes hauteurs d'articles alimentaires et de contenants permettra de trouver l'article exact plus facilement et réduira aussi le temps d'ouverture de la porte du réfrigérateur, ce qui économisera de l'énergie.

Pour enlever une tablette :

1. Ôter les articles de la tablette.
2. Retirer la tablette tout droit jusqu'à la butée.
3. Selon votre modèle, soulever l'arrière ou l'avant de la tablette pour franchir la butée.
4. Faire glisser la tablette complètement vers l'extérieur.



Pour réinstaller une tablette :

1. Faire glisser l'arrière de la tablette dans le support sur la paroi de la caisse.
2. Guider l'avant de la tablette dans le support.
3. Faire glisser la tablette complètement.

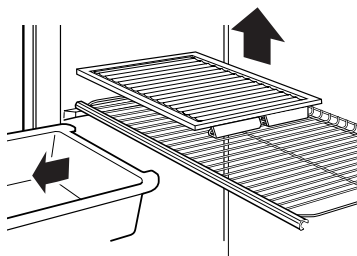
Bac à viande et couvercle (sur certains modèles)

Pour retirer le bac à viande :

1. Faire glisser le bac à viande vers l'extérieur jusqu'à la butée.
2. Soulever le devant du bac à viande d'une main tout en supportant le fond du tiroir de l'autre main. Faire glisser le tiroir complètement vers l'extérieur.
3. Réinstaller le bac en le faisant glisser jusqu'au fond au-delà de la butée.

Pour retirer le couvercle :

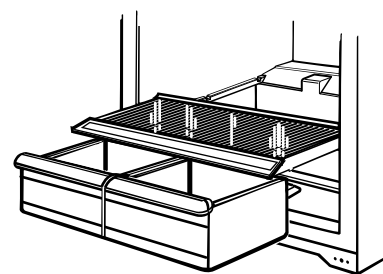
1. Retirer le bac à viande.
2. Pousser le couvercle vers l'arrière pour dégager les attaches arrière de la tablette.
3. Soulever le couvercle en l'inclinant à l'avant.
4. Retirer le couvercle vers l'avant et le sortir.



Pour réinstaller le couvercle :

1. Placer les entailles et les attaches sur le dessous du couvercle par-dessus les traverses arrière et centrales sur la tablette.
2. Abaisser le couvercle en place.
3. Tirer sur le couvercle vers l'avant pour fixer les attaches arrière sur la tablette.
4. Réinstaller le bac à viande.

4. Réinstaller le ou les bacs en suivant l'ordre inverse.

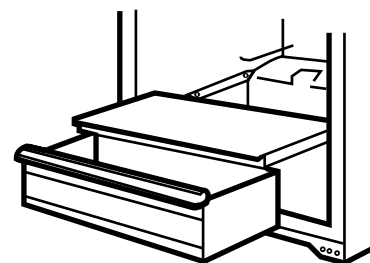


Pour retirer le couvercle de plastique :

1. Retirer le ou les bacs à légumes.
2. Soulever le devant du couvercle et enlever le support du couvercle.
3. Soulever le couvercle et le faire glisser vers l'extérieur.

Pour retirer le couvercle de verre :

1. Tirer sur le verre tout droit vers l'extérieur.
2. Réinstaller dans l'ordre inverse.



Pour réinstaller le couvercle :

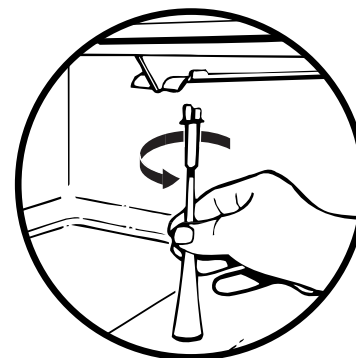
1. Introduire les languettes du couvercle dans les fentes les plus basses de la caisse et pousser vers l'intérieur. Abaisser les pattes de fixation avant en place.
2. Insérer le support du couvercle (en orientant la longue languette vers l'avant) dans la rainure sous le couvercle.

REMARQUE : S'il est nécessaire de régler le support, tourner la base dans le sens horaire pour l'élever ou dans le sens anti-horaire pour l'abaisser.

Bac à légumes et couvercle (sur certains modèles)

Pour retirer le ou les bacs à légumes :

1. Glisser le ou les bacs à légumes en ligne droite vers l'extérieur jusqu'à la butée.
2. Soulever le devant.
3. Faire glisser le ou les bacs complètement vers l'extérieur.



Utilisation de la machine à glaçons

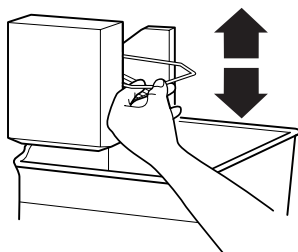
(sur certains modèles)

Lorsque la section du congélateur atteint la température normale du congélateur, la machine à glaçons se remplit d'eau et commence à former des glaçons. Accorder 24 heures pour produire la première quantité de glaçons. La machine à glaçons devrait alors produire environ 7 à 9 quantités de glaçons dans une période de 24 heures. Jeter les 3 premières quantités de glaçons pour éviter les impuretés qui peuvent être expulsées du système.

Après la fabrication, les glaçons tombent dans le bac d'entreposage. Lorsque le bac d'entreposage est rempli, le levier de la machine à glaçons s'élève à la position "OFF" (Arrêt) (levier soulevé). Si les glaçons ne sont pas requis, on peut arrêter la machine à glaçons en levant le bras à la position "OFF" (Arrêt) (levier soulevé). Écouter s'il y a un clic pour vous assurer que la machine à glaçons ne continuera pas de fonctionner.

Pour mettre en marche la machine à glaçons, abaisser le levier à la position "ON" (Marche). Ne pas forcer le levier vers le haut ou vers le bas. Ne pas garder quoi que ce soit au sommet de la machine à glaçons ou dans le bac d'entreposage des glaçons.

- Le levier ON/OFF (Marche/Arrêt) est un bras de commande en broche pour la machine à glaçons, situé au côté de la machine à glaçons. Abaisser le bras pour commencer automatiquement la fabrication de glaçons, et pousser le bras vers le haut pour arrêter la fabrication de glaçons.



- Il est normal que des glaçons se collent aux coins. Ils se sépareront facilement.
- La machine à glaçons ne fonctionnera pas avant que le congélateur ne soit assez froid pour fabriquer des glaçons. Ce délai peut durer toute une nuit.
- Si vous enlevez le bac à glaçons, soulever le bras de commande pour fermer la machine à glaçons. Lors de la réinstallation du bac, le pousser complètement vers l'intérieur et abaisser le bras de commande à la position "ON".

À NOTER :

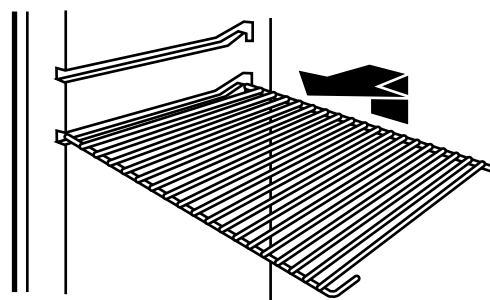
- La bonne qualité de vos glaçons dépendra de la bonne qualité de l'approvisionnement d'eau auquel est raccordée la machine à glaçons.
- Éviter de brancher la machine à glaçons à un approvisionnement d'eau adoucie. Les produits chimiques de l'eau adoucie, tels que le sel, peuvent endommager le moule de la machine à glaçons et fournir des glaçons de qualité médiocre. Si un approvisionnement d'eau adoucie ne peut pas être évité, s'assurer que l'adoucisseur d'eau fonctionne bien et est bien entretenu.

Clayette du congélateur

(sur certains modèles)

Pour enlever la clayette :

1. Soulever légèrement toute la clayette.
2. Déplacer la clayette complètement vers un côté.
3. Incliner l'autre côté vers le haut et sortir des appuis de la clayette.



Pour réinstaller la clayette :

1. Incliner la clayette et l'insérer dans le compartiment du congélateur.
2. Insérer une extrémité de la clayette complètement dans le centre des appuis de la clayette.

ENTRETIEN DE VOTRE RÉFRIGÉRATEUR

Nettoyage du réfrigérateur

⚠️ AVERTISSEMENT



Risque d'explosion

Utiliser un produit de nettoyage ininflammable.

Le non-respect de cette instruction peut causer un décès, une explosion ou un incendie.

Les sections du réfrigérateur et du congélateur se dégivrent automatiquement. Toutes deux doivent cependant être nettoyées environ une fois par mois afin de prévenir l'accumulation d'odeurs. Essuyer immédiatement les produits renversés.

Conseil pour économie d'énergie :

Nettoyer régulièrement les serpentins du condenseur, tel que décrit dans le tableau de nettoyage dans cette section.

Nettoyage du réfrigérateur :

- Débrancher le réfrigérateur ou déconnecter la source du courant électrique.
- Enlever toutes les pièces amovibles de l'intérieur telles que tablettes, bacs, etc.
- Utiliser une éponge propre ou un linge doux et un détergent doux avec de l'eau tiède. Ne pas utiliser de nettoyeurs abrasifs ou durs.
- Laver manuellement, rincer et sécher toutes les surfaces à fond.
- Brancher le réfrigérateur ou reconnecter la source de courant électrique.

■ Autres conseils de nettoyage indiqués ci-dessous :

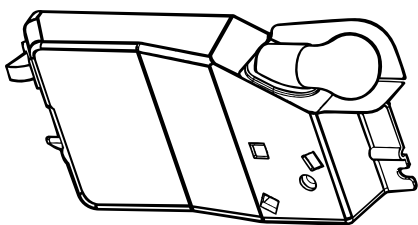
| PIÈCES | COMMENTAIRES |
|--|--|
| Extérieur | ■ Le cirage de surfaces métalliques peintes à l'extérieur, aide à fournir une protection antirouille. Ne pas cirer les pièces en plastique. Cirer les surfaces métalliques peintes au moins deux fois par année avec une cire pour appareils électroménagers (ou cire en pâte de qualité pour automobile). Appliquer la cire avec un linge propre et doux. |
| Parois intérieures (le congélateur doit être assez tiède pour que le chiffon n'adhère pas) | ■ Pour aider à éliminer les odeurs, on peut faire le lavage avec un mélange d'eau tiède et de bicarbonate de soude (26 g à 0,95 L [2 c. à soupe à 1 pinte] d'eau). |
| Garnitures et joints des portes | ■ Ne pas utiliser de cires nettoyantes, de détergents concentrés, d'eau de Javel ni de nettoyeurs contenant du pétrole sur les pièces en plastique. |
| Pièces en plastique (couverts et panneaux) | ■ Ne pas utiliser d'essuie-tout en papier, de nettoyeurs à vitre en atomiseur, de nettoyeurs à récurer ou de liquides inflammables. Ces produits risquent d'égratigner ou d'endommager le matériau. |
| Serpentins du condenseur | <ul style="list-style-type: none">■ Rouler le réfrigérateur pour l'éloigner du mur.■ Nettoyer les serpentins à l'aspirateur s'ils sont poussiéreux ou sales. Les serpentins peuvent avoir besoin de nettoyage aussi souvent qu'à tous les deux mois.■ Rouler le réfrigérateur pour le remettre en place. S'assurer de laisser 2,5 cm (1 po) entre le dos de la caisse et le mur.■ Vérifier que le réfrigérateur est d'aplomb. |

Remplacement de l'ampoule d'éclairage

REMARQUE : Votre réfrigérateur ne pourra pas accommoder toutes les ampoules pour les appareils ménagers. S'assurer de faire le remplacement par une ampoule de grosseur, de forme et de puissance semblables.

Pour changer l'ampoule d'éclairage du réfrigérateur :

1. Débrancher le réfrigérateur ou débrancher la source de courant électrique.
2. Passer la main derrière le tableau de commande et dévisser l'ampoule.
3. Remplacer l'ampoule par une ampoule de 40 watts pour appareils ménagers.
4. Brancher le réfrigérateur ou reconnecter la source de courant électrique.



Pannes de courant

En cas de panne de courant, téléphoner à la compagnie d'électricité pour demander la durée de la panne.

1. Si le service doit être interrompu durant **24 heures ou moins, garder les deux portes fermées** pour aider les aliments à demeurer froids et congelés.
2. Si le service doit être interrompu **pendant plus de 24 heures :**
 - a) Retirer tous les aliments congelés et les entreposer dans un entrepôt frigorifique.

OU

- b) Placer 907 g (2 lb) de neige carbonique dans le congélateur pour chaque pied cube (28 L) d'espace de congélation. Cette quantité permettra de garder les aliments congelés durant deux à quatre jours. Porter des gants pour protéger les mains contre les morsures de la glace lorsque vous employez de la neige carbonique.

OU

- c) S'il n'y a pas d'entrepôt frigorifique ni de neige carbonique, consommer ou mettre immédiatement en conserve les aliments périssables.

REMARQUE : Un congélateur plein restera froid plus longtemps qu'un congélateur partiellement rempli. Un congélateur plein de viandes demeure froid plus longtemps qu'un congélateur rempli de pains et de pâtisseries. Si les aliments contiennent des cristaux de glace, ils peuvent être remis à congeler sans danger même si la qualité et la saveur risquent d'être affectées. Si les aliments semblent de piètre qualité ou douteux, les jeter.

Entretien avant les vacances ou lors d'un déménagement

Vacances

Si vous choisissez de laisser le réfrigérateur en fonctionnement pendant votre absence, utiliser ces étapes pour préparer votre réfrigérateur avant d'aller en vacances.

1. Consommer tous les aliments périssables et congeler les autres articles au congélateur.
2. Si votre réfrigérateur a une machine à glaçons automatique :
 - Soulever le bras de la machine à glaçons à la position OFF (élevée).
 - Fermer l'approvisionnement d'eau à la machine à glaçons.
3. Vider le bac à glaçons.

Si vous choisissez d'arrêter le fonctionnement du réfrigérateur avant votre absence, observer ces étapes.

1. Enlever tous les aliments du réfrigérateur.
2. Si votre réfrigérateur a une machine à glaçons automatique :
 - Fermer l'approvisionnement d'eau à la machine à glaçons au moins une journée à l'avance.
 - Lorsque la dernière quantité de glaçons est déposée, soulever le bras de la machine à glaçons à la position OFF (élevée).
3. Tourner la commande du thermostat (ou la commande du réfrigérateur, selon le modèle) à OFF. Voir la section "Réglage des commandes".
4. Nettoyer le réfrigérateur, l'essuyer et bien le sécher.
5. À l'aide d'un ruban adhésif, placer des blocs de caoutchouc ou de bois dans la partie supérieure de chaque porte de façon à ce qu'elles soient suffisamment ouvertes pour permettre la circulation de l'air à l'intérieur, afin d'éviter l'accumulation d'odeur ou de moisissure.

Déménagement

Lorsque vous déménagez votre réfrigérateur à une nouvelle habitation, suivre ces étapes pour préparer le déménagement.

1. Si votre réfrigérateur a une machine à glaçons automatique :
 - Fermer l’approvisionnement d’eau de la machine à glaçons au moins une journée à l’avance.
 - Débrancher la canalisation d’eau de l’arrière du réfrigérateur.
 - Lorsque la dernière quantité de glaçons est tombée, soulever le bras de commande à la position OFF (élevée).
2. Retirer tous les aliments du réfrigérateur et placer tous les aliments congelés dans de la neige carbonique.
3. Tourner la commande du thermostat (ou la commande du réfrigérateur, selon le modèle) à OFF (arrêt). Voir la section “Réglage des commandes”.
4. Débrancher le réfrigérateur de la prise.
5. Vider l’eau du plat de dégivrage.
6. Nettoyer, essuyer et sécher à fond.
7. Retirer toutes les pièces amovibles, bien les envelopper et les attacher ensemble à l’aide de ruban adhésif pour qu’elles ne bougent pas ni ne s’entrechoquent durant le déménagement.
8. Selon le modèle, soulever le devant du réfrigérateur pour qu’il roule plus facilement OU glisser les pieds de nivellement pour qu’ils n’égratignent pas le plancher. Voir la section “Fermeture et alignement des portes”.
9. Fermer la porte à l’aide de ruban adhésif et fixer le cordon d’alimentation à la caisse du réfrigérateur.

Lorsque vous arriverez à votre nouvelle habitation, remettre tout en place et consulter la section “Installation du réfrigérateur” pour les instructions de préparation. Aussi, si votre réfrigérateur a une machine à glaçons automatique, rappelez-vous de rebrancher l’approvisionnement d’eau au réfrigérateur.

DÉPANNAGE

Essayer les solutions suggérées ici en premier afin d'éviter les coûts d'une visite de service inutile.

Le réfrigérateur ne fonctionne pas

- **Le cordon d'alimentation électrique est-il débranché?**
Brancher fermement le cordon d'alimentation électrique sur une prise de courant active avec tension appropriée.
 - **Un fusible est-il grillé ou le disjoncteur s'est-il déclenché?**
Remplacer le fusible ou réenclencher le disjoncteur.
 - **Le réglage du réfrigérateur est-il à la position "OFF" (arrêt)?**
Voir la section "Réglage des commandes".
 - **Le réfrigérateur est-il en train de se dégivrer?**
Vérifier pour voir si le réfrigérateur fonctionne au bout de 30 minutes. Le réfrigérateur exécutera régulièrement un programme automatique de dégivrage.
-

Les ampoules n'éclairent pas

- **Le cordon d'alimentation électrique est-il débranché?**
Brancher fermement le cordon d'alimentation électrique sur une prise de courant active avec tension appropriée.
 - **Une ampoule d'éclairage est-elle desserrée dans la douille?**
Tourner le réglage du réfrigérateur à OFF (arrêt). Débrancher le réfrigérateur de la source d'alimentation électrique. Enlever délicatement l'ampoule et la réinsérer. Ensuite rebrancher le réfrigérateur à la source d'alimentation électrique et faire de nouveau le réglage du réfrigérateur.
 - **Une ampoule est-elle grillée?**
Remplacer par une ampoule d'appareil électroménager de tension, de grosseur et de format similaires. Voir la section "Remplacement de l'ampoule d'éclairage".
-

Le plat de dégivrage contient de l'eau

- **Le réfrigérateur est-il en train de se dégivrer?**
L'eau s'évaporera. C'est normal pour l'eau de dégoutter dans le plat de dégivrage.
 - **Y a-t-il plus d'humidité que d'habitude?**
Prévoir que l'eau dans le plat de dégivrage prend plus de temps à s'évaporer. Ceci est normal quand il fait chaud ou humide.
-

Le moteur semble fonctionner excessivement

- **La température ambiante est-elle plus chaude que d'habitude?**
Prévoir que le moteur fonctionnera plus longtemps dans des conditions de chaleur. Pour des températures ambiantes normales, prévoir que le moteur fonctionne environ 40 % à 80 % du temps. Dans des conditions plus chaudes, prévoir un fonctionnement encore plus fréquent.
- **Vient-on d'ajouter une grande quantité d'aliments au réfrigérateur?**
L'addition d'une grande quantité d'aliments réchauffe le réfrigérateur. Il est normal que le moteur fonctionne plus longtemps afin de refroidir de nouveau le réfrigérateur. Voir la section "Guide d'entreposage des aliments".
- **Les portes sont-elles ouvertes fréquemment?**
Prévoir que le moteur fonctionnera plus longtemps dans ce cas. Afin de conserver l'énergie, essayer de sortir tout ce dont vous avez besoin du réfrigérateur à la fois, garder les aliments organisés de sorte qu'ils sont faciles à trouver et fermer la porte dès que les aliments sont retirés.
- **Les réglages ne sont-ils pas faits correctement pour les conditions ambiantes?**
Voir la section "Réglage des commandes".
- **Les portes ne sont-elles pas complètement fermées?**
Pousser les portes pour qu'elles soient bien fermées. Si les portes ne ferment pas complètement, voir "Les portes ne se ferment pas complètement" plus loin dans cette section.
- **Les serpentins du condenseur sont-ils sales?**
Cette situation empêche le transfert de l'air et fait travailler davantage le moteur. Nettoyer les serpentins du condenseur. Voir la section "Nettoyage du réfrigérateur".

REMARQUE : Votre réfrigérateur neuf fonctionnera plus longtemps que l'ancien appareil du fait de son moteur très efficace.

Le réfrigérateur semble faire trop de bruit

- **Les sons peuvent être normaux pour votre réfrigérateur.**
Voir la section "Les bruits de l'appareil que vous pouvez entendre".

La machine à glaçons ne produit pas de glaçons

- **La température du congélateur n'est-elle pas assez froide pour produire des glaçons?**
Attendre 24 heures après le branchement pour la production de glaçons. Voir la section "Réglage des commandes".
- **Le levier de la machine à glaçons est-il en position "OFF" (élevée)?**
Abaisser le bras à la position "ON" (abaissée). Voir la section "Utilisation de la machine à glaçons".
- **La valve de la canalisation d'eau reliée au réfrigérateur n'est-elle pas ouverte?**
Ouvrir la valve d'eau. Voir la section "Raccordement du réfrigérateur à une canalisation d'eau".
- **Un glaçon est-il coincé dans le bras éjecteur?**
Enlever le glaçon du bras éjecteur avec un ustensile en plastique. Voir "Utilisation de la machine à glaçons".
- **Y a-t-il de l'eau dans le moule de la machine à glaçons?**
Vérifier pour voir si le réfrigérateur a été branché à la canalisation d'eau de votre domicile, et si la valve d'arrêt de la canalisation est ouverte. Voir la section "Raccordement du réfrigérateur à une canalisation d'eau".

REMARQUE : Si cette situation n'est pas attribuable à ce qui précède, il peut exister un problème avec la canalisation d'eau. Faire un appel de service.

La machine à glaçons produit trop peu de glaçons

- **La machine à glaçons vient-elle juste d'être installée?**
Attendre 72 heures pour le commencement de la production complète de glaçons. Une fois que le réfrigérateur est refroidi, la machine à glaçons devrait commencer à produire de 70 à 120 glaçons à toutes les 24 heures.
- **Une grande quantité de glaçons vient-elle d'être enlevée?**
Attendre 24 heures pour que la machine à glaçons produise plus de glaçons.

- **Les réglages ne sont-ils pas faits correctement?**
Voir la section "Réglage des commandes".
- **Le robinet d'eau n'est-il pas complètement ouvert?**
Tourner complètement le robinet à la position ouverte. Voir la section "Raccordement du réfrigérateur à une canalisation d'eau".
- **Un filtre à eau est-il installé sur le réfrigérateur?**
Ce filtre peut être obstrué ou installé incorrectement. Premièrement, vérifier les instructions d'installation du filtre pour s'assurer que le filtre a été installé correctement et qu'il n'est pas obstrué. Si l'installation ou l'obstruction n'est pas le problème, téléphoner à une personne qualifiée ou à un technicien.

Mauvais goût ou odeur des glaçons

- **Les raccords de plomberie sont-ils neufs et causent-ils une décoloration et un mauvais goût des glaçons?**
Jeter les premières quantités de glaçons.
- **Les glaçons ont-ils été gardés trop longtemps?**
Jeter les vieux glaçons et en faire une nouvelle provision.
- **Les aliments dans le réfrigérateur ont-ils été bien emballés?**
Voir la section "Guide d'entreposage des aliments".
- **Le congélateur et le bac à glaçons ont-ils besoin d'être nettoyés?**
Voir la section "Nettoyage du réfrigérateur".
- **L'eau contient-elle des minéraux (tels que le soufre)?**
L'installation d'un filtre peut être requise afin d'enlever les minéraux.

La cloison entre les deux sections est tiède

La température tiède est probablement attribuable à un fonctionnement normal du réglage automatique de l'humidité de l'extérieur.

La température est trop tiède

- **Les ouvertures d'aération sont-elles bloquées dans une section ou l'autre? Cette obstruction empêche le mouvement de l'air froid du congélateur au réfrigérateur.**
Enlever tous les objets placés en avant des ouvertures d'aération. Consulter "Pour s'assurer d'une circulation d'air appropriée" pour l'emplacement des ouvertures d'aération.
- **La ou les portes sont-elles ouvertes?**
Prévoir que le réfrigérateur deviendra tiède dans ce cas. Pour garder le réfrigérateur froid, essayer de retirer rapidement à la fois tout ce dont vous avez besoin du réfrigérateur, garder les aliments bien rangés de sorte qu'il soit facile de les trouver et fermer la porte dès que les aliments sont retirés.

- **Vient-on d'ajouter une grande quantité d'aliments au réfrigérateur ou au congélateur?**
L'addition d'une grande quantité d'aliments réchauffe le réfrigérateur. Plusieurs heures peuvent être nécessaires pour que le réfrigérateur revienne à la température normale.
- **Les réglages sont-ils faits correctement pour les conditions ambiantes?**
Voir la section "Réglage des commandes".

Il existe une accumulation d'humidité à l'intérieur.

- **Les ouvertures de circulation d'air sont-elles obstruées dans le réfrigérateur?**
Enlever tous les objets en avant des ouvertures d'aération. Consulter "Pour s'assurer d'une circulation d'air appropriée" pour l'emplacement des ouvertures d'aération.
- **La porte est-elle souvent ouverte?**
Pour éviter l'accumulation d'humidité, essayer de retirer rapidement tout ce dont vous avez besoin du réfrigérateur, garder les aliments rangés de sorte qu'il soit facile de les trouver et fermer la porte dès que les aliments sont retirés. (Lorsque la porte est ouverte, l'humidité de l'air extérieur pénètre dans le réfrigérateur. Le plus souvent la porte est ouverte, le plus rapidement l'humidité s'accumule, surtout lorsque la pièce est très humide.)
- **La pièce est-elle humide?**
Il est normal pour l'humidité de s'accumuler à l'extérieur du réfrigérateur lorsque l'air de l'extérieur est humide.
- **Les aliments sont-ils bien emballés?**
Vérifier que tous les aliments sont bien emballés. Si nécessaire, emballer de nouveau les aliments d'après les directives à la section "Guide d'entreposage des aliments". Essuyer les contenants humides d'aliments avant de les placer au réfrigérateur.
- **Les réglages sont-ils faits correctement pour les conditions ambiantes?**
Voir la section "Réglage des commandes".
- **Un programme autodégivreur vient-il de se terminer?**
Il est normal que des gouttelettes se forment sur la paroi arrière après que le réfrigérateur se dégivre automatiquement.

Les portes sont difficiles à ouvrir

- **Les joints sont-ils sales ou collants?**
Nettoyer les joints et la surface. Frotter en appliquant une couche très mince de cire de paraffine sur les joints à la suite d'un nettoyage.

Les portes ne se ferment pas complètement

- **Les emballages d'aliments empêchent-ils la porte de fermer?**
Réorganiser les contenants de sorte qu'ils soient plus rapprochés et prennent moins d'espace.
- **Le bac à glaçons n'est-il pas en bonne position?**
Pousser le bac à glaçons jusqu'au fond.
- **Les couvercles du bac à légumes, plats, tablettes, bacs ou paniers ne sont-ils pas en bonne position?**
Placer le couvercle du bac à légumes et tous les plats, tablettes, bacs et paniers à la position correcte. Voir plus de renseignements à la section "Caractéristiques du réfrigérateur".
- **Les joints collent-ils?**
Nettoyer les joints et la surface. Frotter en appliquant une couche très mince de cire de paraffine sur les joints à la suite d'un nettoyage.
- **Le réfrigérateur branle-t-il ou semble-t-il instable?**
Niveler le réfrigérateur. Consulter la section "Fermeture et alignement des portes".
- **Les portes ont-elles été enlevées durant l'installation de l'appareil et mal réinstallées?**
Enlever et replacer les portes en suivant la section "Inversion du sens d'ouverture des portes" ou téléphoner à un technicien qualifié.

ASSISTANCE OU SERVICE

Avant de demander une assistance ou un service, veuillez vérifier la section "Dépannage". Cette vérification peut vous faire économiser le coût d'une visite de réparation. Si vous avez encore besoin d'aide, suivre les instructions ci-dessous.

Lors d'un appel, veuillez connaître la date d'achat et les numéros au complet de modèle et de série de votre appareil (voir section "Garantie"). Ces renseignements nous aideront à mieux répondre à votre demande.

Si vous avez besoin de pièces de rechange

Si vous avez besoin de commander des pièces de rechange, nous vous recommandons d'utiliser seulement des pièces de rechange FSP®. Les pièces de rechange FSP® conviendront bien et fonctionneront bien parce qu'elles sont fabriquées selon les mêmes spécifications précises utilisées pour construire chaque nouvel appareil Roper. Pour localiser des pièces de rechange FSP® dans votre région, téléphoner à notre centre d'assistance aux consommateurs ou au centre de service autorisé le plus proche.

AUX ÉTATS-UNIS

Téléphoner sans frais au Centre d'assistance aux consommateurs Roper en composant le **1-800-44-ROPER (1-800-447-6737)**. Nos consultants fournissent l'assistance pour :

- Caractéristiques et spécifications à notre gamme complète d'appareils électroménagers
- Renseignements d'installation
- Procédés d'utilisation et d'entretien
- Vente d'accessoires et de pièces de rechange
- Assistance spécialisée au client (langue espagnole, malentendants, malvoyants, etc.)
- Les références aux concessionnaires, compagnies de service de réparation et distributeurs de pièces de rechange locaux. Les techniciens de service désignés par Whirlpool sont formés pour remplir la garantie des produits et fournir un service après la garantie partout aux États-Unis.

Pour localiser la compagnie de service Whirlpool désignée dans votre région, vous pouvez consulter les pages jaunes de votre annuaire téléphonique.

Pour plus d'assistance

Si vous avez besoin de plus d'assistance, vous pouvez écrire à Whirlpool en soumettant toute question ou problème à :

Whirlpool Brand Home Appliances

Consumer Assistance Center

c/o Correspondence Dept.

2000 North M-63

Benton Harbor, MI 49022-2692

Dans votre correspondance, veuillez indiquer un numéro de téléphone où l'on peut vous joindre dans la journée.

Au Canada

Téléphoner sans frais au Centre d'assistance aux consommateurs de Inglis Limitée au :
1-800-461-5681 de 8 h 30 à 18 h (HNE)

Nos consultants fournissent l'assistance pour :

- Caractéristiques et spécifications à notre gamme complète d'appareils électroménagers.
- Les références aux concessionnaires locaux.

Pour service au Canada

Composer le **1-800-807-6777**. Les techniciens de service désignés par Inglis Limitée sont formés pour remplir la garantie des produits et fournir un service après la garantie partout au Canada.

Pour plus d'assistance

Si vous avez besoin de plus d'assistance, vous pouvez écrire à Inglis Limitée en soumettant toute question ou problème à :

Centre de relations avec les consommateurs
Inglis Limitée
1901 Minnesota Court
Mississauga, Ontario L5N 3A7

Dans votre correspondance, veuillez indiquer un numéro de téléphone où on peut vous joindre dans la journée.

GARANTIE DU RÉFRIGÉRATEUR ROPER®

GARANTIE COMPLÈTE DE UN AN DU RÉFRIGÉRATEUR

Pendant un an à compter de la date d'achat, lorsque ce réfrigérateur fonctionne et est entretenu conformément aux instructions fournies avec le produit, Whirlpool paiera pour les pièces de rechange FSP® et la main-d'oeuvre pour corriger les vices de matériaux ou de fabrication. Les réparations doivent être effectuées par un établissement de service désigné par Whirlpool.

GARANTIE COMPLÈTE DE CINQ ANS DU SYSTÈME DE RÉFRIGÉRATION SCÉLLÉ

Pendant cinq ans à compter de la date d'achat, lorsque ce réfrigérateur fonctionne et est entretenu conformément aux instructions fournies avec le produit, Whirlpool paiera pour les pièces de rechange FSP® et la main-d'oeuvre pour corriger les vices de matériaux ou de fabrication du système de réfrigération scellé. Ces pièces comprennent : compresseur, évaporateur, condenseur, dispositif de séchage et les tubes de raccord. Les réparations doivent être effectuées par un établissement de service désigné par Whirlpool.

Whirlpool ne paiera pas pour :

1. Les visites de service pour rectifier l'installation du réfrigérateur, pour montrer à l'utilisateur comment se servir du réfrigérateur, pour remplacer des fusibles, rectifier le câblage électrique ou la plomberie du domicile ou remplacer des ampoules électriques.
 2. Les réparations lorsque le réfrigérateur est utilisé à des fins autres qu'un usage unifamilial normal.
 3. La prise en charge et la livraison du réfrigérateur. Le réfrigérateur est conçu pour être réparé à domicile.
 4. Les dommages imputables à : accident, usage impropre, incendie, inondation, actes de Dieu, ou l'utilisation de produits non approuvés par Whirlpool.
 5. Toute perte d'aliments attribuable à une panne du produit.
 6. Les réparations de pièces ou systèmes imputables à des modifications non autorisées effectuées à l'appareil.
 7. Les pièces de rechange ou les frais de réparation des appareils utilisés à l'extérieur des É.-U. et du Canada.
-

WHIRLPOOL CORPORATION ET INGLIS LIMITÉE N'ASSUMENT AUCUNE RESPONSABILITÉ POUR LES DOMMAGES FORTUITS OU INDIRECTS.

Certains États ou provinces ne permettent pas l'exclusion ou la limitation des dommages fortuits ou indirects; aussi cette exclusion ou limitation peut ne pas vous être applicable. Cette garantie vous confère des droits juridiques spécifiques et vous pouvez également jouir d'autres droits qui peuvent varier d'un État ou province à l'autre.

À l'extérieur des États-Unis et du Canada, une garantie différente peut s'appliquer. Pour des détails, veuillez contacter votre marchand Roper autorisé.

Si vous avez besoin de service, consulter d'abord la section "Dépannage" de ce manuel. Après avoir vérifié la section "Dépannage", on peut trouver de l'aide supplémentaire à la section "Assistance ou service", ou en téléphonant sans frais au Centre d'assistance aux consommateurs Roper au 1-800-44-ROPER (1-800-447-6737) de n'importe où aux É.-U. Au Canada, contacter le Centre de relations avec les consommateurs au 1-800-461-5681 (sans frais). À l'extérieur des É.-U. et du Canada, contacter votre marchand autorisé Roper.

7/99

Conserver ce manuel et votre reçu de vente ensemble pour référence ultérieure. Pour le service sous garantie, vous devez présenter un document prouvant la date d'achat ou d'installation.

Inscrivez les renseignements suivants à propos du réfrigérateur pour mieux obtenir assistance ou service en cas de besoin. Vous devez connaître le numéro de modèle et le numéro de série complets. Cette information est indiquée sur la plaque signalétique dont l'emplacement sur votre appareil est indiqué à la section "Pièces et caractéristiques" de ce manuel.

Nom du marchand _____

Adresse _____

Numéro de téléphone _____

Numéro de modèle _____

Numéro de série _____

Date d'achat _____
