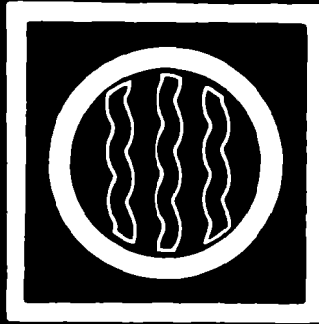


# Installation Instructions



for your new



Whirlpool

Electric Dryer

12-92

# Before you begin ...

read the following instructions completely and carefully.

**They will simplify the installation.**

AFTER COMPLETING THE INSTALLATION, SAVE THESE INSTRUCTIONS FOR FUTURE USE.

**IMPORTANT: OBSERVE ALL GOVERNING CODES AND ORDINANCES**

Appliance as received from factory is equipped for 2-wire, 240 Volt, 50/60 Hz. electrical power. It may also be wired for 120/240 Volt, 3-wire, single phase 50/60 Hz. electrical power supply.

The appliance **MUST BE** installed according to all local governing codes and ordinances.

## PREPARING YOUR DRYER FOR INSTALLATION

### CAUTION:

- Before installing your dryer in a garage or similar building, determine whether this conforms with local codes and ordinances.
- It is the personal responsibility of the customer to ensure that gasoline, paint, thinners and other flammable materials are not used or stored near the dryer. Fumes from these materials could result in fire or explosion.
- Never install the dryer up against draperies or curtains and be sure to keep any and all items from falling or collecting behind the dryer.
- Replace all access or service panels before operating dryer.

# ELECTRICAL REQUIREMENTS

For your personal safety this appliance must be permanently grounded in accordance with local codes and ordinances.

1. An AC two or three-wire, single phase, 240 Volt, 50/60 Hz., electrical power supply is required. It must be separately fused on both sides of the line. (16 Ampere time delay fuse or circuit breaker is recommended.)

Do **NOT** fuse neutral.

2. An adequate electrical ground is required within 4 feet of the appliance location when using the ground wire supplied.

3. **THE DRYER MUST BE CONNECTED WITH COPPER WIRE ONLY.** Aluminum wire must not be used to avoid potentially unsatisfactory connections.

4. Local codes may permit the use of a flexible type electrical power supply cord (pigtail). A suitable strain relief must be provided at the point the power supply cord enters the appliance.

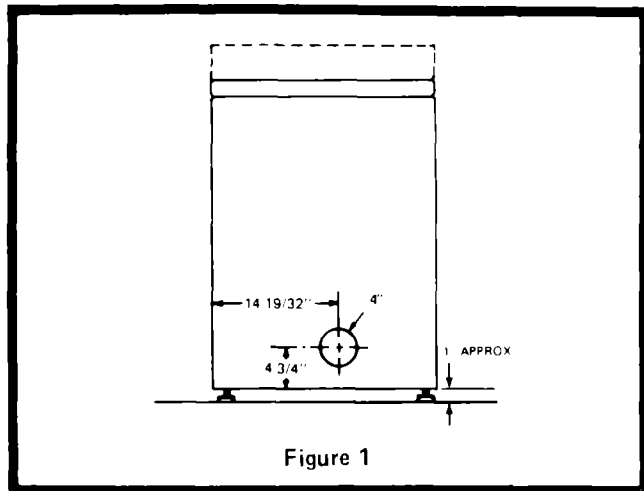
5. The appliance may be connected directly to the fused disconnect (or circuit breaker) box through flexible armored or non-metallic sheathed cable. Allow two or three feet of slack in the line between the wall and the appliance so that it can be moved when servicing is necessary. A suitable strain relief must be provided at each end of the electrical power supply cable (at the appliance and at the junction box). Wire sizes and connections must conform with the rating of the appliance (16 Ampere min.). **DO NOT** use an extension cord.

It is the personal responsibility and obligation of the customer to contact a qualified installer to assure that the electrical installation is adequate and is in conformance with local codes and ordinances.

# EXHAUST SYSTEM REQUIREMENTS

1. EXHAUSTING THE DRYER TO THE OUTSIDE IS STRONGLY RECOMMENDED. THIS PREVENTS MOISTURE AND LINT FROM BEING BLOWN INTO THE ROOM. DO NOT EXHAUST INTO A CHIMNEY.

2. Exhaust outlet at rear of dryer is located as shown in Figure 1.

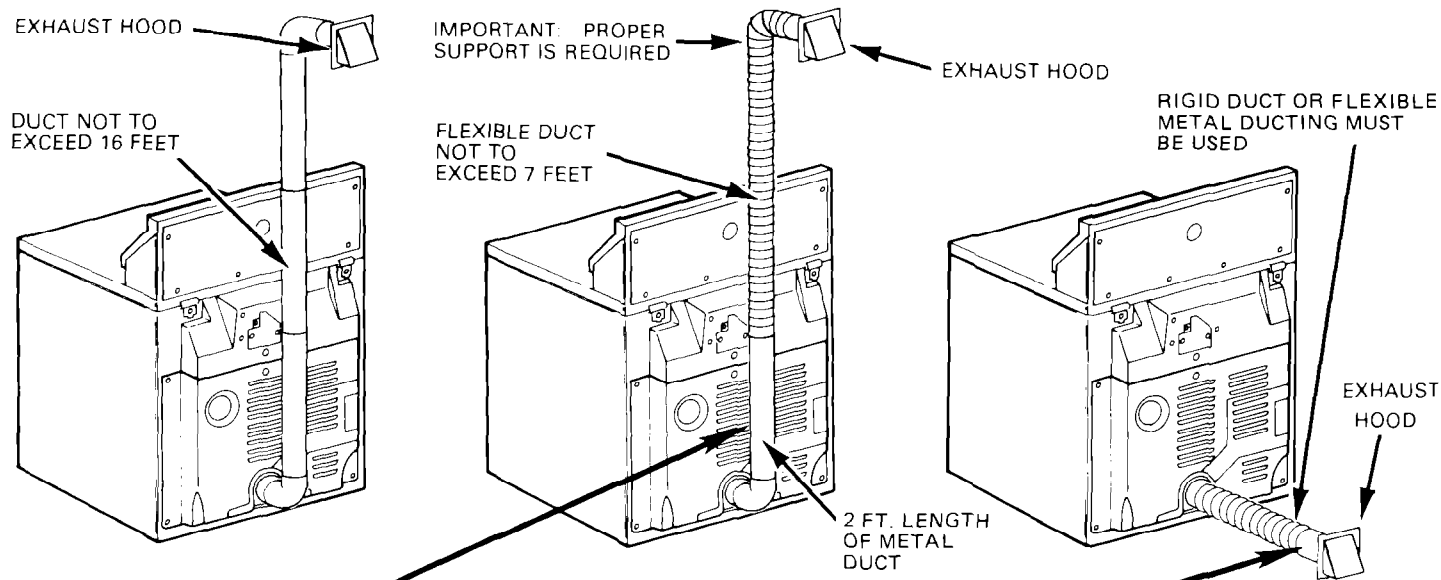


3. For optimum performance your exhaust system should not exceed 8 feet of 4 inch aluminum duct, two elbows and an exhaust hood with flapper. (Under no circumstances should the exhaust system exceed 16 feet of 4 inch aluminum duct.) This material may be purchased locally.

4. Joints should be taped. Do not use screws to fasten sections of duct together - screws catch lint.

5. If you do not exhaust your dryer to the outside, you must install an exhaust deflector over the dryer exhaust outlet – Kit number LCK4000.

## TYPICAL EXHAUST INSTALLATION



For your personal safety, a 2 foot length of metal duct must be used at the exhaust outlet of the dryer. This reduces the possibility of blockage in the exhaust system due to lint and minimizes the potential of a fire hazard. Using the 2 foot of metal duct helps provide for ease of service (if ever required), and also prevents the crushing of the flexible ducting when moving the dryer into its final operating position.

For your personal safety and to minimize potential fire hazard, rigid duct or **noncombustible** flexible ducting constructed of metal or fiberglass fabric must be used.

# INSTALLATION INSTRUCTIONS

## DO NOT GRASP APPLIANCE BY THE CONSOLE

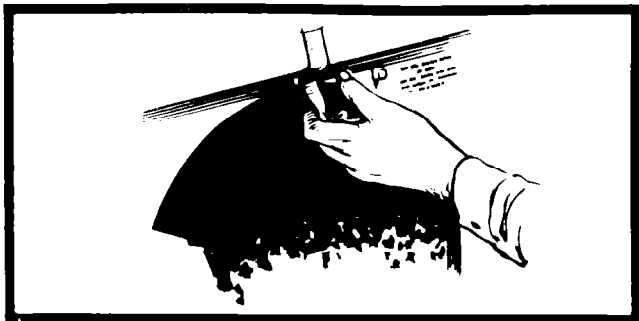
DO NOT MOVE APPLIANCE INTO ITS EXACT LOCATION UNTIL THE FOLLOWING STEPS HAVE BEEN PERFORMED

### A. REMOVE LITERATURE AND MISCELLANEOUS PARTS

After removing the literature package and miscellaneous parts bag from the dryer drum, place the Operation Instructions and Dryer Guide in a convenient place as both pieces of literature should be read.

### B. REMOVE TAPE FROM DRUM

On some models tape is used to secure the drum during shipping. Remove the tape that holds the drum to the cabinet. Move the drum by hand to make certain all tape has been removed.



Next wipe the interior of the drum thoroughly with a damp cloth before using the dryer.

### C. INSTALL DRYER LEVELING FEET

Block up the front of the dryer about four inches using a block of wood as shown in illustration "A". Install the leveling feet in the front corners of the dryer using a 1" wrench or socket to turn in the leveling feet. See illustration "B". All feet should extend approximately one inch. Remove the block and repeat the procedure at the rear of the dryer.

For mobile home installations all floor mounted dryers must be fastened to the floor during transit using Kit No. 346765. The dryer does not need to be fastened to the floor while the mobile home is not in transit.

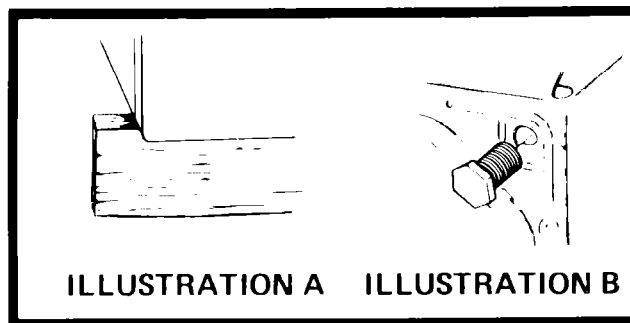


ILLUSTRATION A ILLUSTRATION B

# ELECTRICAL CONNECTION

## 1. 240 Volt - Single Phase - 50 Hz 2-Wire connection

Electrical ground is required on this appliance.

When this appliance is manufactured, the neutral terminal is NOT connected to the frame.

**WARNING:** Do not plug the power supply cord (pigtail) into a live wall receptacle before connecting the pigtail to the dryer terminal block.

### CONNECT THE POWER SUPPLY CORD AS FOLLOWS:

1. Remove the terminal block cover by removing screw shown in Figure 2.

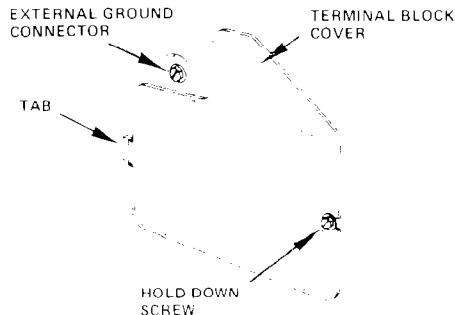


Figure 2

2. Connect the two wires of the power supply cord to the outer terminals of the terminal block, Figure 3. For connecting plain-end field wire, Figure 4. Replace the terminal block cover by first installing the tab of the cover into the slot of the dryer rear panel as shown in Figure 2. Secure the cover with the mounting screw.

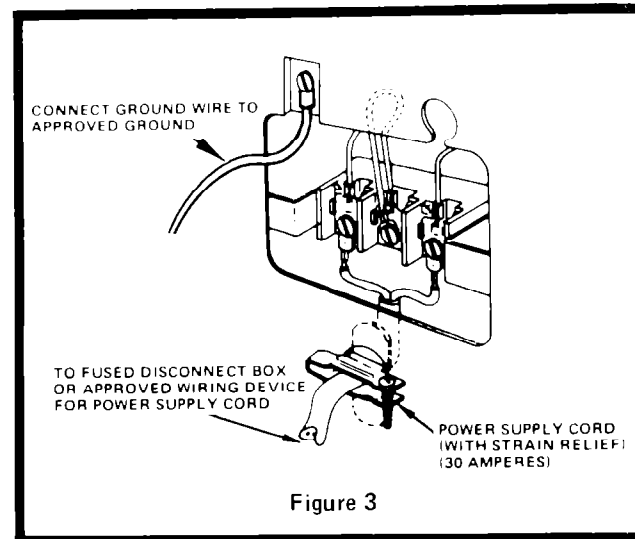


Figure 3

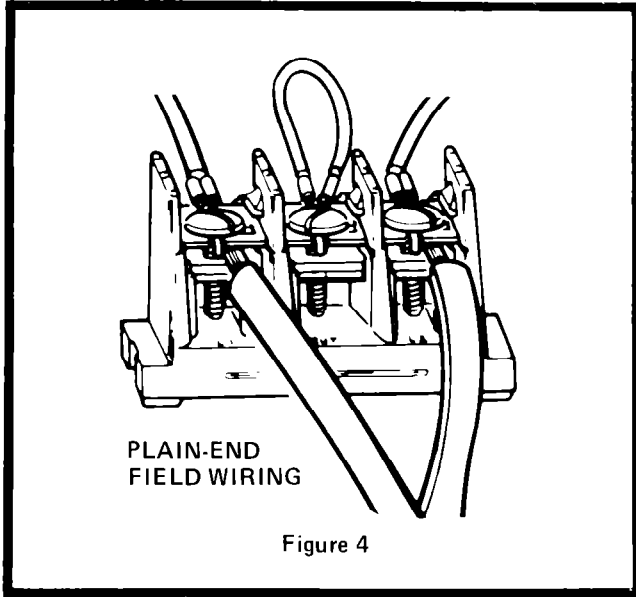
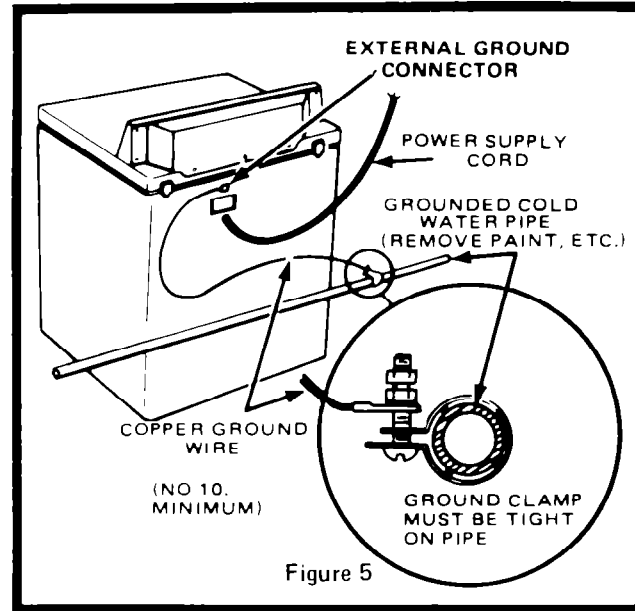


Figure 4

NOTE: Plain-end field wires must be fastened between the terminals of the terminal block and the nuts of the terminal block screws as shown in Figure 4

3. Connect the free end of the external ground wire to a grounded cold water pipe by means of the clamp on the free end of the ground wire. DO NOT ground to a gas supply pipe. Do not connect the power supply cord to electrical power supply until appliance is permanently grounded, Figure 5.





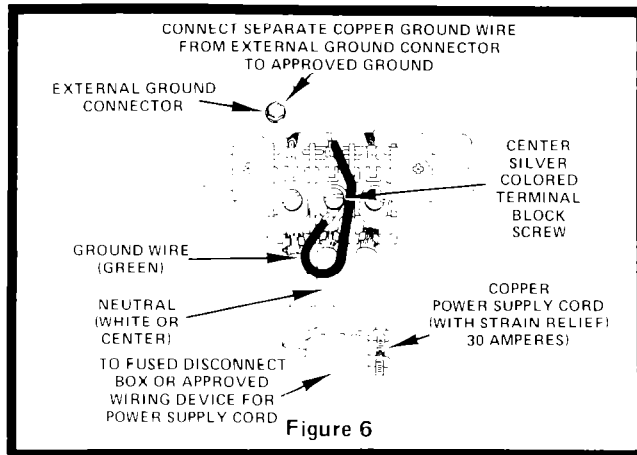
## 2. 120/240 Volt - Single Phase 50 Hz 3-Wire connection

Electrical ground is required on this appliance.

When this appliance is manufactured, the neutral terminal is NOT connected to the frame.

A. If local codes DO NOT permit frame grounding to the neutral wire of the power supply cord:

1. Remove the terminal block cover, Figure 2.
2. Connect the neutral wire of the power supply cord to the center terminal of the terminal block and connect the two other wires to the outer terminals. See Figure 6. For connecting plain-end field wire, see Figure 6.



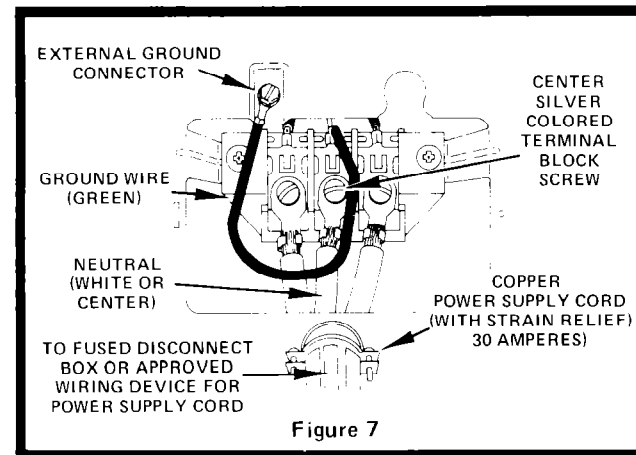
3-WIRE UNGROUNDED NEUTRAL

3. Connect the free end of the external ground wire to a grounded cold water pipe by means of the clamp on the free end of the ground wire. Do not connect the power supply cord to electric power supply until appliance is permanently grounded.

4. Replace terminal block cover

B. If local codes permit connection of the frame grounding conductor to the neutral wire of the power supply cord:

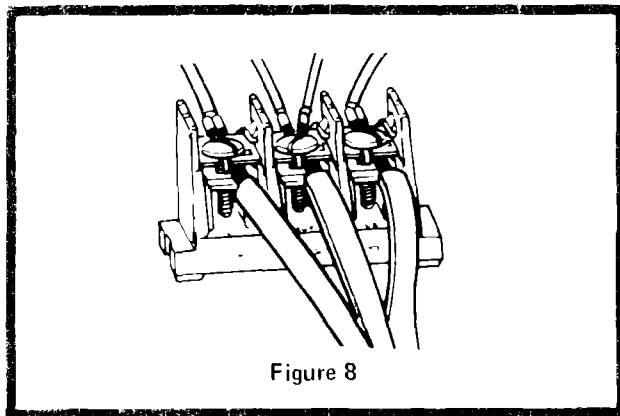
1. Remove terminal block cover
2. Disconnect the green grounding wire (ring terminal end) from the terminal block and connect to the external ground connector, see Figure 7.



GROUNDING NEUTRAL

Grounded Neutral continued;

3. Connect the neutral wire of the power supply cord to the center terminal of the terminal block and connect the other wires to the outer terminals. See Figure 7. For connecting plain end field wire, see Figure 8.

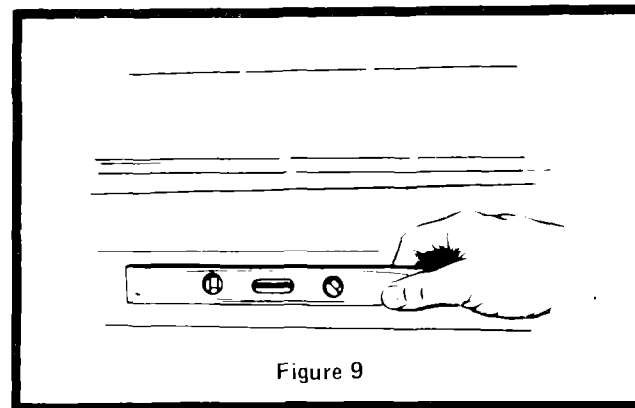


NOTE: Plain-end field wires must be fastened between the terminals of the terminal block and the nuts of the terminal block screws as shown in Figure 8.

4. Replace the terminal block cover by first installing the tab of the cover into the slot of the dryer rear panel as shown in Figure 2. Secure the cover with the mounting screw.

## FINAL INSTALLATION CONNECTIONS

1. Move the dryer to its operating position and check the level of the machine using a small spirit level. The dryer can be leveled from side to side and front to rear by adjusting the four leveling legs, Figure 9.



2. Make the electrical connection:
  - A. Plug the flexible connector (pigtail) into an approved receptacle (where local codes permit the use of a pigtail).
  - OR
  - B. Connect the flexible armored or non-metallic shielded cable directly to a fused disconnect box.

3. Connect the exhaust ducting to exhaust outlet of dryer. Joints should be taped. Do not use screws to fasten sections of duct together.

4. Refer to your Operating Instruction Book and Dryer Guide for information on how to operate your dryer.

5. Install literature rack to console rear panel (on models so equipped). Refer to instructions on Page 15.

## IMPORTANT OPERATING INFORMATION

1. Read Operating Instructions Book and **Dryer Guide**.
2. Dryer will not operate with the door open.
3. Keep lint screen and exhaust system clear of lint. A blocked screen or exhaust will cause slow drying and/or other malfunctions.

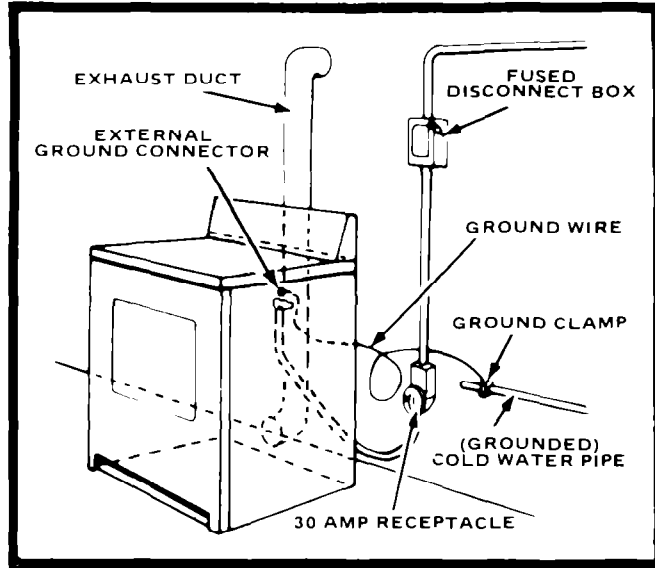
Do not operate dryer without lint screen. Using the dryer with the lint screen removed may cause overheating and possible damage to fabrics. Lint screen must be pushed firmly into place.

4. Be sure to dry only clothes or materials washed in water in your dryer. **Under no circumstances should items that have been cleaned with flammable cleaning fluids be placed in the dryer. Plastic and rubber items must be dried on the "Air" setting.**

5. If dryer will not operate, check the following to be sure that:

- A. Electric supply is connected.
- B. Both fuses are good and screwed in tight.
- C. Door is closed.
- D. Controls are set in a running or "On" position.
- E. Push start button firmly to start.

ILLUSTRATION SHOWING  
COMPLETE TYPICAL INSTALLATION



## MOVING OPERATIONS PROCEDURE

1. Shut off electric supply to dryer by opening circuit breaker or fused disconnect.
2. Remove pigtail (if used) from receptacle, or disconnect from box (by licensed electrician), then remove armored cable from dryer at the dryer or disconnect box.
3. Make sure leveling legs are secure in dryer base.
4. Apply filament tape from inside drum, out the door opening to the front panel to prevent drum movement.
5. Use tape to secure clothes door and lint screen.
6. **WARNING:** Before having your electric dryer connected in your new residence, be sure your licensed electrician confirms that the supply voltage matches the voltage specified on the nameplate.

## Dryer Pulley Conversion Instructions

**CAUTION:** Disconnect Power Supply before attempting this conversion.

This machine is equipped with a special pulley having two belt positions. Manual repositioning of belt is required when changing to power supply having a different frequency (Hz (cycles)).

This machine is shipped from the factory with the belt on the motor drive pulley in the 50 Hz. position. (Belt is in the groove nearest to the motor – larger diameter.) It is necessary to reposition the belt when changing to a power supply having a frequency of 60 Hz. or vice versa. The motor speed is affected by the frequency of the power supply.

### 1. TO OPEN TOE PANEL

Using a putty knife, press on the toe panel lock located at the center top of the toe panel. Pull downward on the toe panel to open. The toe panel is hinged at the bottom. See figure 10.

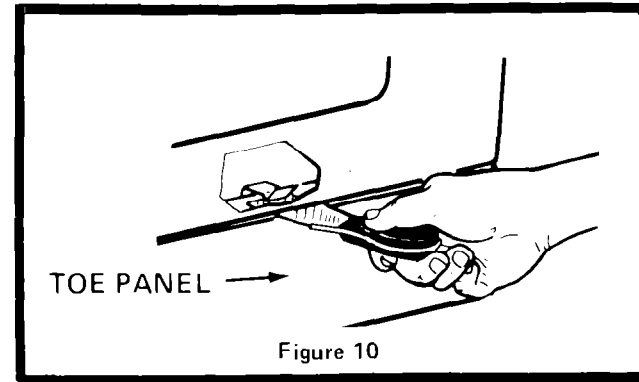


Figure 10

**NOTE:** Before proceeding, look at Figure 11. It shows the two belt grooves of the motor pulley in detail. Being familiar with the pulley will make the conversion more understandable.

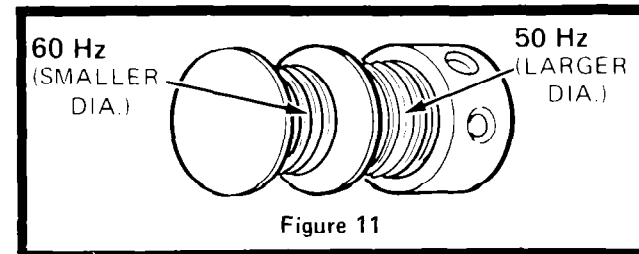
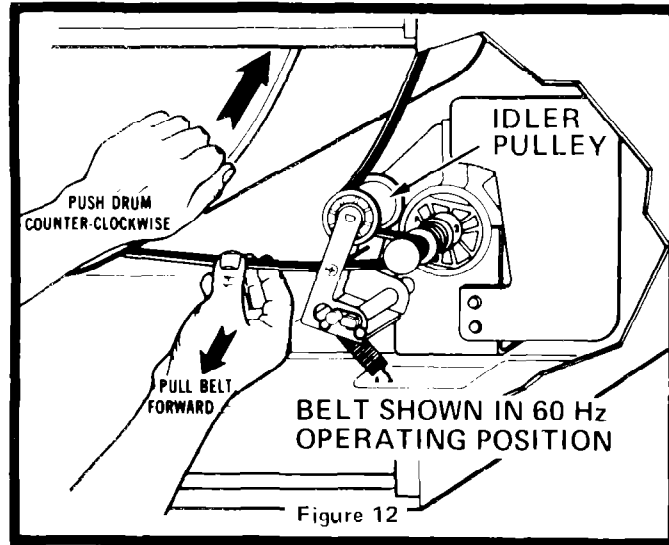


Figure 11

## 2. — A. TO CHANGE TO 60 HZ. OPERATION

Follow directions in Figure 12. Gently pull belt forward (toward you) and turn drum **one full turn** counterclockwise until belt moves to the front (nearest to you) pulley groove.

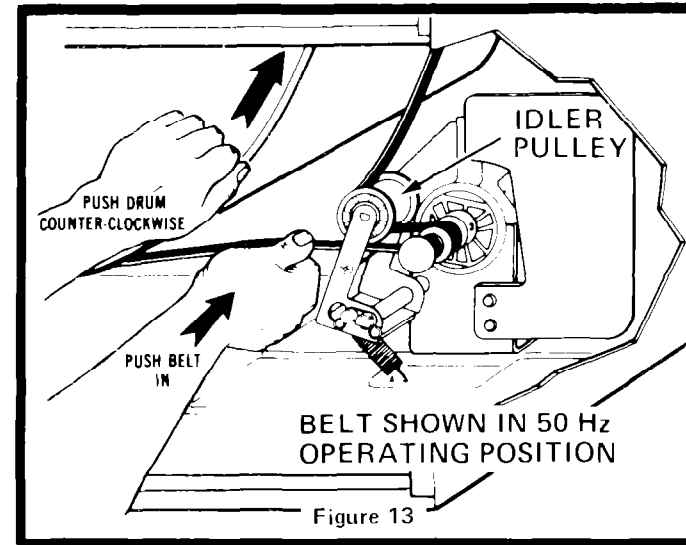
Always turn the drum in counterclockwise direction.



## 2. — B. TO CHANGE TO 50 HZ OPERATION

Follow directions in Figure 13. While rotating the dryer drum counterclockwise, gently push belt to back (away from you) and turn drum **one full turn** counterclockwise until belt moves to rear (nearest to motor) pulley groove.

Always turn the drum in counterclockwise direction.



*Method illustrated is the easiest way of changing belt position.*

Double check to make sure the belt is in the proper pulley groove and that the belt is also on the idler pulley.

### 3. TO CLOSE TOE PANEL

Grasp both sides of the toe panel and lift upward. Press firmly so the toe panel locks in place.

## LITERATURE RACK INSTALLATION

1. Insert the 4 side tabs (2 on each side) of the rack into the back panel. (See Figure A.)
2. Push downward until all 4 tabs bottom out, locking the sides of the rack in place.
3. Insert the 2 bottom tabs into the slots at the base of the rear panel, until they lock in place. (See Figure B.)
4. Put all the literature in the Laundry Information Center folder and then put the folder in the rack.

