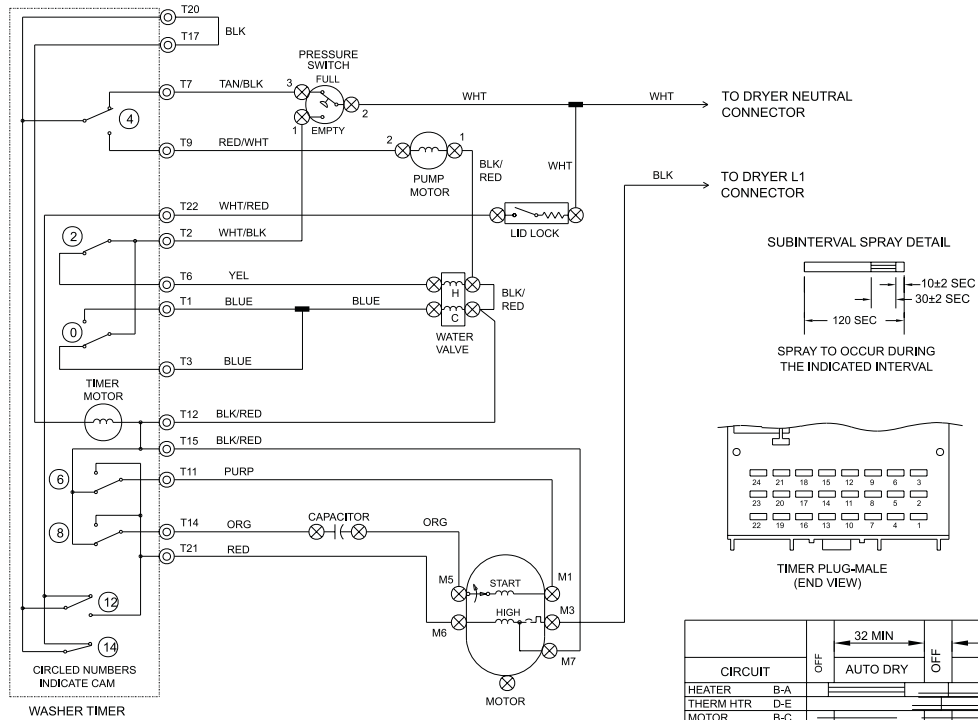


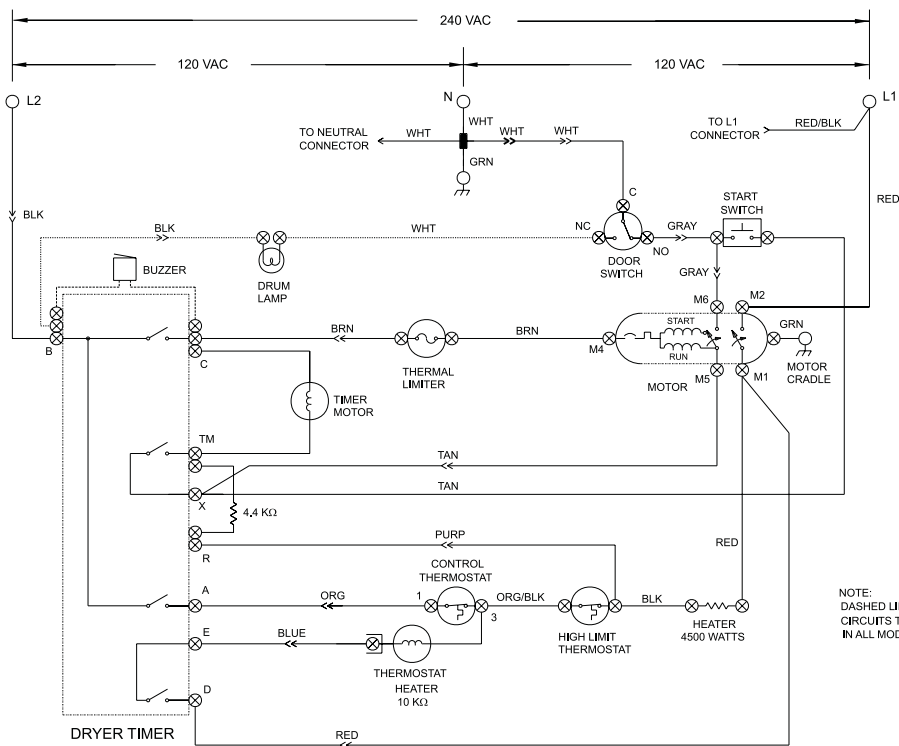
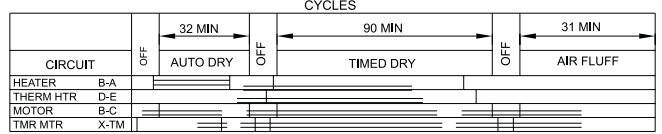
CAUTION: DISCONNECT ELECTRIC CURRENT BEFORE SERVICING

TERM	CIRCUIT	REGULAR								OFF	PERM. PRESS								OFF	DELICATE								OFF
		WASH (16 MIN)		PUMP (6 MIN)		RINSE (4 MIN)		PUMP (10 MIN)			WASH (12 MIN)		PUMP (6 MIN)		RINSE (4 MIN)		PUMP (6 MIN)			WASH (8 MIN)		PUMP (6 MIN)		RINSE (4 MIN)		PUMP (6 MIN)		
REV	NO	HOT	WARM	COLD	P	SPIN	P	P	SPIN	HOT	WARM	COLD	P	SPIN	P	P	SPIN	WARM	P	SPIN	P	P	SPIN	WARM	P	SPIN	P	SPIN
0	2	1	T	C																								
		3	B	S																								
		4	T																									
2	2	6	B	H																								
		7	T	L																								
		9	B	P																								
		10	T	S																								
		12	B	A																								
		10	T	A																								
		12	B	S																								
		10	T	S																								
		19	T	M																								
		10	B	M																								
		19	T	P																								
		24	B	P																								



WIRING CODES	
	PLUG-IN TIMER
	QUICK DISCONNECT TERMINAL
	CONNECTION
	NO CONNECTION
	MOTOR SWITCH
	SPLICE
	MOTOR PROTECTOR
	CHASSIS (CABINET) GROUND
	SCREW TERMINAL
	HARNES CONNECTOR TERMINAL
	INSULATED TERMINAL

- NOTES:
- ALL WIRING MUST CONFORM TO LOCAL ELECTRICAL CODES.
 - CONNECT DRYER TO 30 AMP INDIVIDUAL BRANCH CIRCUIT.
 - DRYER TIMER SHOWN IN OFF POSITION DOOR SWITCH CLOSED, MOTOR AT REST, AN THERMOSTAT CLOSED.
- WASHER TIMER SHOWN IN ON POSITION AND PRESSURE SWITCH FULL.



BAR CHART ABOVE REPRESENTS ONE COMPLETE REVOLUTION OF TIMER SHAFT.

SHADED PORTION OF BAR CHART INDICATES THE PROPORTIONAL TIMES THAT INTERNAL TIMER CONTACTS ARE CLOSED.

NOTE: DASHED LINES INDICATE CIRCUITS THAT ARE NOT IN ALL MODELS.

