



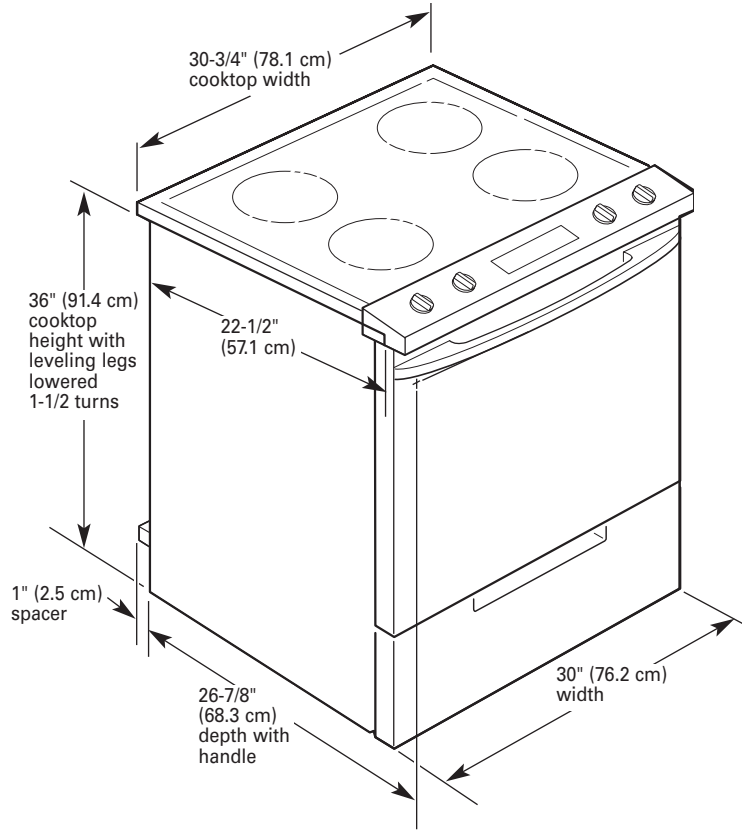
# 30" Slide-in Electric Range

## PRODUCT MODEL NUMBERS

GY395LXG	RS310PXG
GY395PXG	RS315PXG
GY396LXG	RS385PXG
GY396PXG	RS386PXG
	RS395PXG
	RS396PXG

**Electrical:** Connect with 8 gauge copper or 6 gauge aluminum wire. A four-wire or three-wire, single-phase, 120/240-volt, 60-Hz; 40 amp, AC-only, electrical supply (or four-wire or three-wire 120/208-volt if specified on the model/serial rating plate) is required on a separate 40 amp circuit, fused on both sides of the line. A time-delay fuse or circuit breaker is recommended. The model/serial rating plate is located on the oven frame behind the storage drawer panel.

## OVERALL DIMENSIONS



## COUNTERTOP PREPARATION

The cooktop sides of the slide-in range fit over the cutout edge of your countertop.

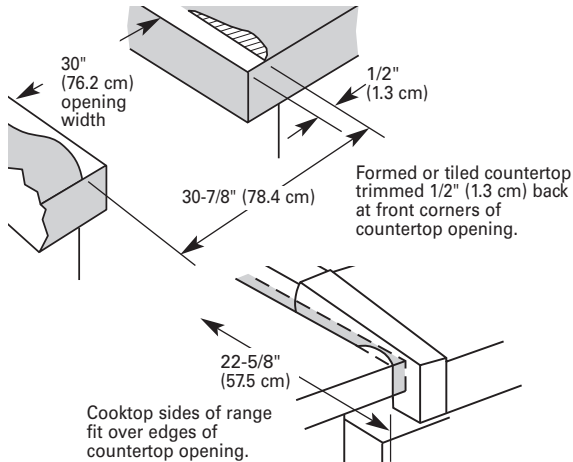
If you have a square finish (flat) countertop and the opening width is 30-3/8" (77.2 cm), no countertop preparation is required.

Formed front-edged countertops: Must have molded edge shaved flat 1/4" (0.64 cm) from each front corner of opening.

Tile countertops may need trim cut back 1/4" (0.64 cm) from each front corner and/or rounded edge flattened.

If countertop opening width is greater than 30-3/8" (77.2 cm), adjust the 1/4" (0.64 cm) dimension.

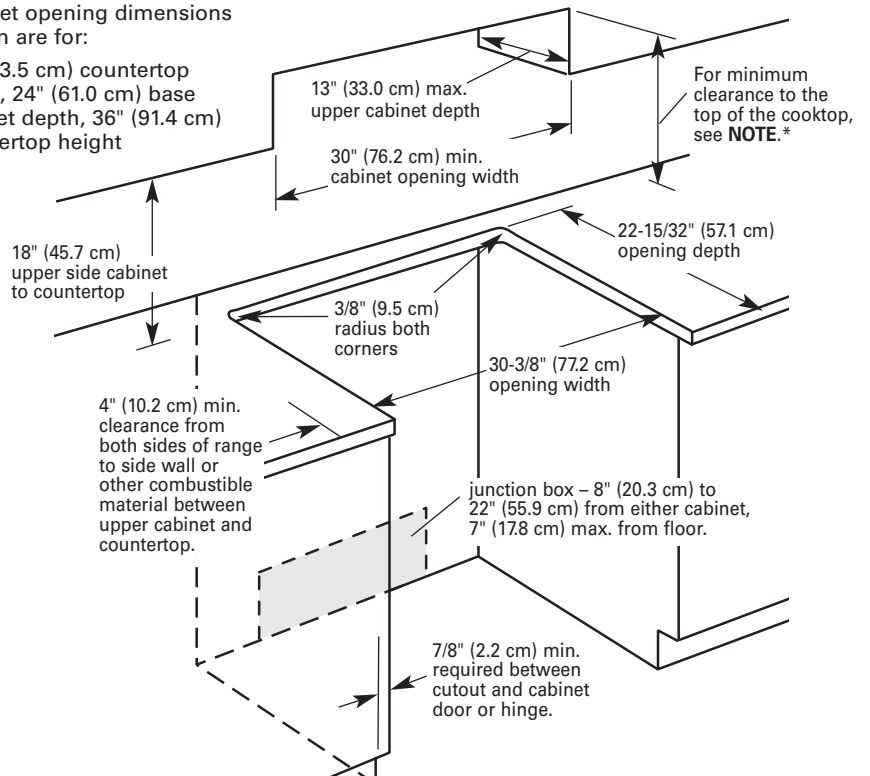
Countertop must be level. Place level on countertop, first side to side; then front to back. If countertop is not level, range will not be level. Oven must be level for satisfactory baking conditions.



## CABINET OPENING DIMENSIONS

Cabinet opening dimensions shown are for:

25" (63.5 cm) countertop depth, 24" (61.0 cm) base cabinet depth, 36" (91.4 cm) countertop height



**\*NOTE:** 24" (61 cm) min. when bottom of wood or metal cabinet is protected by not less than 1/4" (6.4 mm) flame retardant millboard covered with not less than No. 28 MSG sheet steel, 0.015" (0.4 mm) stainless steel, 0.024" (0.6 mm) aluminum or 0.020" (0.5 mm) copper.  
30" (76.2 cm) min. clearance between the top of the cooking platform and the bottom of an unprotected wood or metal cabinet.