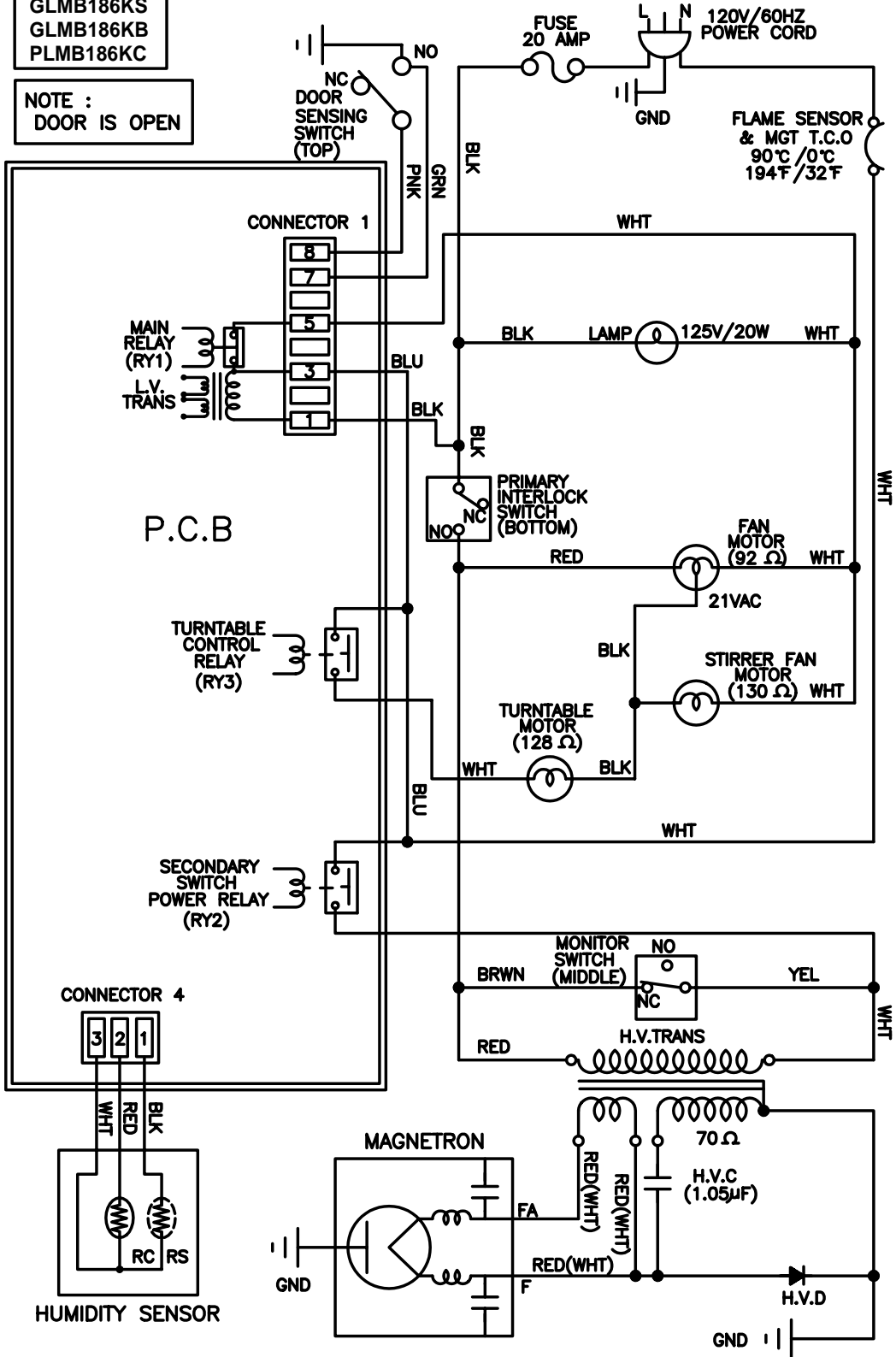


SCHEMATIC DIAGRAM

**WARNING : POWER MUST BE DISCONNECTED
BEFORE SERVICING THIS APPLIANCE**

MODELS
GLMB186KS
GLMB186KB
PLMB186KC

NOTE :
DOOR IS OPEN



WIRING DIAGRAM

MODELS
 GLMB186KS
 GLMB186KB
 PLMB186KC

NOTE :
 DOOR IS OPEN

⏏ GROUND
 - - - HARNESS LEAD WIRE
 — PARTS LEAD WIRE

COLOR	SYMBOL
WHITE	W
BLACK	B
RED	R
YELLOW	Y
PINK	P
BLUE	BL
BROWN	BR
GREEN	G

