

Versión en español

Si desea obtener una copia en español de estas Instrucciones de Funcionamiento, sírvase escribir la dirección que se incluye a continuación. Solicite la P/N 131547200.

Spanish Owner's Guides
Frigidaire Company
P. O. Box 9061
Dublin, Ohio 43017-0961

Before Operating Your Laundry Center

Read your laundry center Owner's Guide. It has important safety and warranty information. It also has many suggestions for obtaining the best washing results.

⚠ WARNING To reduce the risk of fire, electric shock, or injury to persons, read the **IMPORTANT SAFETY INSTRUCTIONS** in your laundry center Owner's Guide before operating this appliance.

Operating Steps

- Sort laundry into loads that can be washed together.
- Prepare items for washing.
- Pretreat stains and heavy soil.
- Add the measured amount of detergent to the washer before adding the laundry load.
- If desired, add liquid bleach to the Bleach Dispenser.
- Add the laundry load to the wash tub.
- Set the Load Size control according to type, size, and soil level of the load.
- Push in the cycle selector knob and turn it clockwise to the desired wash cycle. See Cycle Selection for cycle descriptions and Control Settings Chart for suggested cycle settings.
- Start the washer by closing the lid and pulling out the cycle selector knob. The washer will operate with the lid open; however, the tub will not spin unless the lid is closed.

To stop the washer, push in the cycle selector knob. To change a cycle, push in the cycle selector knob and turn it clockwise to the desired setting. Pull out the knob to restart the washer.

- If desired, add diluted liquid fabric softener during the final rinse.
- Remove items when the cycle is completed. As a safety measure, the lid will **AUTOMATICALLY LOCK** during the spin portion of each cycle. The lid will automatically unlock approximately 1 minute after the end of the spin cycle.

Cycle Selection

For best results, follow the fabric care label directions on items to be washed. Check the **Control Settings Chart** (reverse side) if the care label is not available.

The Regular, Perm Press and Knits & Delicates cycles provide a spray rinse during the first spin, followed by a deep rinse and a final spin.

(continued, reverse side)

Cycle Selection (continued)

Regular Cycle

Up to 15 minutes of wash agitation for most fabrics.

- 15 hot 15 minutes of wash agitation. A hot water wash and cold water rinse are provided for heavily soiled items.
- 10 warm 10 minutes of wash agitation. A warm water wash and cold water rinse are provided for normally soiled items.
- 5 cold 5 minutes of wash agitation. A cold water wash and cold water rinse are provided for lightly soiled items.

Perm Press Cycle

Up to 12 minutes of wash agitation for cottons and blends with a no-iron finish.

- 12 12 minutes of wash agitation. A hot water wash and cold water rinse are provided for heavily soiled permanent press items.
- 8 8 minutes of wash agitation. A warm water wash and cold water rinse are provided for normally soiled permanent press items.
- 4 4 minutes of wash agitation. A cold water wash and cold water rinse are provided for lightly soiled permanent press items.

Knits & Delicates Cycle

Eight minutes of wash/pause action. A warm water wash and cold water rinse are provided for knit and delicate items.

*Always set the Knits & Delicates cycle to begin at the START position.

Control Settings Chart

Locate fabric type and read across guide for suggested wash and rinse temperatures, wash cycle and cycle settings.

This is only a general guide. For best results, follow fabric care label directions on specific items to be washed.

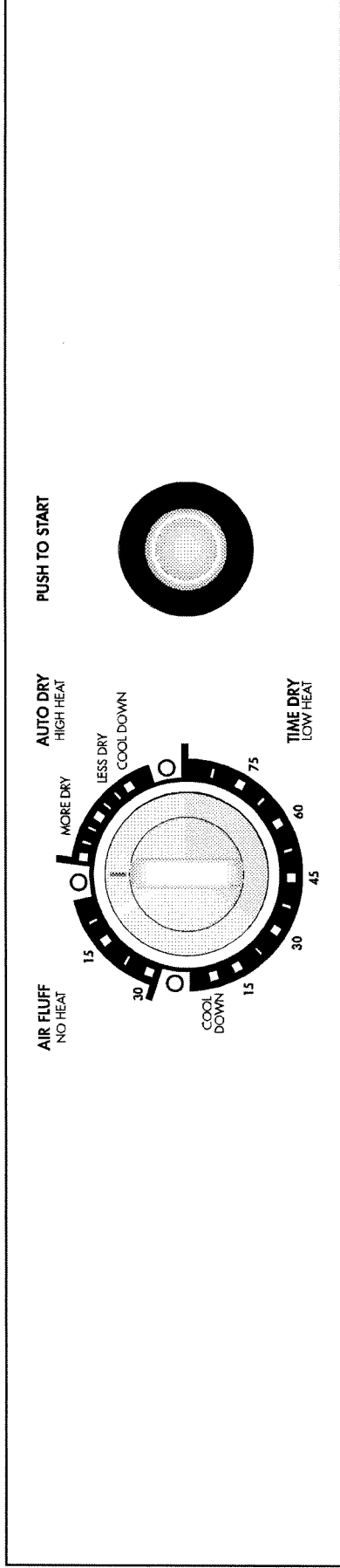
Fabric Type	Temperature (Wash / Rinse)	Wash Cycle	Cycle Setting
REGULAR Heavily Soiled Colorfast & White Cotton & Linen	Hot	Cold	Regular
Lightly Soiled Colorfast & White Cotton & Linen	Warm	Cold	Regular
Noncolorfast Bright Colors All Fabrics	Cold	Cold	Regular
PERMANENT PRESS White or Heavily Soiled	Warm or Hot	Cold	Perm Press
Colored or Lightly Soiled	Cold or Warm	Cold	Perm Press
KNITS/DELICATES Knitted Fabrics Delicates	Warm Warm	Cold Cold	Knits & Delicates Knits & Delicates
Washable Woolens	Warm	Cold	Knits & Delicates

8 warm or
12 hot

4 cold or
8 warm

Start* (8)
Start* (8)

Start* (8)



Operating Steps

1. Prepare items for drying.
2. Check that lint screen is clean and properly in place.
3. Load the dryer. If desired, add a dryer fabric softenersheet.
4. Close the dryer door.
5. Turn cycle selector clockwise to desired setting.
6. Start dryer. Push the Push to Start button for 2 seconds.
7. At end of cycle, remove items immediately and hang or fold.
8. Clean lint screen after every load.

AUTO DRY-HIGH HEAT is recommended for regular and permanent press items that can be tumble dried at high heat. The Auto Dry-High Heat cycle determines drying time automatically.

For items requiring more drying time, set the cycle selector on **MORE DRY**. For items requiring less drying time, set the cycle selector on **LESS DRY**.

This cycle works best with items of similar fabric, weight and construction.

TIME DRY-LOW HEAT provides up to 90 minutes of drying time at low heat for permanent press, knit and delicate items.

AIR FLUFF-NO HEAT provides up to 30 minutes of tumbling without heat. Use Air Fluff-No Heat to freshen clothing, pillows or blankets or to dust draperies. Heat-sensitive items such as plastics, foam rubber or similarly textured rubber-like materials or items containing feathers or down should be dried **only** with the Air Fluff-No Heat cycle.

WARNING To avoid fire hazard, do not use heat to dry items containing feathers or down, foam rubber, plastics, or similarly textured, rubber-like materials. Use Air Fluff-No Heat cycle only.

Versión en español
 Si desea obtener una copia en español de estas Instrucciones de Funcionamiento, sírvase escribir a la dirección que se incluye a continuación.
 Solicite la PN 131547100.

Spanish Owner's Guides
 Frigidaire Company
 P. O. Box 9061
 Dublin, Ohio 43017-0961

Before Operating Your Laundry Center

Read your laundry center Owner's Guide. It has important safety and warranty information. It also has many suggestions for obtaining the best drying results.

WARNING To reduce the risk of fire, electric shock, or injury to persons, read the **IMPORTANT SAFETY INSTRUCTIONS** in your laundry center Owner's Guide before operating this appliance.

Cycle Settings

Turn the cycle selector clockwise to the desired cycle and setting.

Each cycle ends with a cool down period. The heat automatically turns off and the load continues to tumble for 5-10 minutes. This reduces wrinkling and makes items easier to handle during unloading.

Drying time varies depending on size and dampness of load, weight and fabric type. Room temperature and humidity, type of installation and electrical voltage or gas pressure can also affect drying time.

Control Settings Chart

Always consult fabric care labels before drying. For items without labels, follow suggested settings below. The suggested drying times are approximate. Actual time needed will vary depending on size and dampness of load, weight and fabric type. Room temperature and humidity, type of installation and electrical voltage or gas pressure can also affect drying time. Items dried in a dryer operating on a 208 volt circuit instead of a 240 volt circuit require 20% more drying time than listed. **⚠ WARNING** To avoid fire hazard, do not use heat to dry items containing feathers or down, foam rubber, plastics, or similarly textured, rubber-like materials. Use Air Fluff-No Heat setting only.

TYPE OF LOAD	CYCLE SETTING	TIME
Bedspreads, chenille	Auto Dry-High Heat	
Blankets Cotton Electric	Auto Dry-High Heat <i>Electric blankets can be partially dried in dryer if recommended by manufacturer. Tumble with dry towels to cushion electrical parts. Remove blanket while still damp. Finish drying by hanging across two parallel lines or rods. Block to original dimensions.</i>	
Wool Synthetics or blends	Time Dry-Low Heat <i>Follow label instructions. Place on flat surface and gently stretch to block to original dimensions.</i>	30-45 minutes; check frequently
Cottons, linens Full dry Damp dry, for ironing	Auto Dry-High Heat Time Dry-Low Heat	30 minutes; check frequently
Curtains Cottons or cotton blends Sheer synthetics Heavy synthetics To freshen all types	<i>Dry in small loads. Remove as soon as dryer stops.</i> Auto Dry-High Heat Time Dry-Low Heat Time Dry-Low Heat Air Fluff-No Heat	30 minutes 30-45 minutes 15 minutes
Delicates - sheer lingerie and blouses, nylon items, washable silk and washable rayon	Time Dry-Low Heat	15-30 minutes; check frequently
Glass fiber	<i>Do not dry glass fiber items in dryer unless recommended by manufacturer. Small glass particles left in the drum can be picked up by the next load and may cause skin irritation.</i>	
Items containing elastic	Time Dry-Low Heat. <i>Remove while elastic is still damp.</i>	30-45 minutes
Items to be fluffed, freshened or dusted	Air Fluff-No Heat	15 minutes
Knits Cotton or cotton blends Synthetics Wool	Time Dry-Low Heat Time Dry-Low Heat <i>See manufacturer's care label.</i>	30-45 minutes 30 minutes; check frequently
Permanent Press 100% cotton 100% synthetics and blends	<i>Remove immediately. Hang or fold.</i> Time Dry-Low Heat Time Dry-Low Heat	30-45 minutes 30-45 minutes
Pillows	See ⚠ WARNING above. <i>Add several dry bath towels to absorb excess moisture.</i> Air Fluff-No Heat	30 minutes
Plastics	See ⚠ WARNING above. <i>Add several dry bath towels to absorb excess moisture.</i> Air Fluff-No Heat	15 minutes
Rugs (4'x6')	See ⚠ WARNING above. <i>See manufacturer's care label.</i>	
Slipcovers	<i>Select temperature and cycle setting according to fabric. Remove when slightly damp.</i>	
Table linens, damp dry for ironing	Time Dry-Low Heat	15-30 minutes
Tennis shoes	<i>Always consult care labels when drying tennis shoes. Improper care can permanently damage some shoes. Air dry or dry on drying rack (available on some models).</i>	
Wrinkled, but not soiled, permanent press or knit items	Time Dry-Low Heat <i>Remove immediately. Hang or fold.</i>	15 minutes