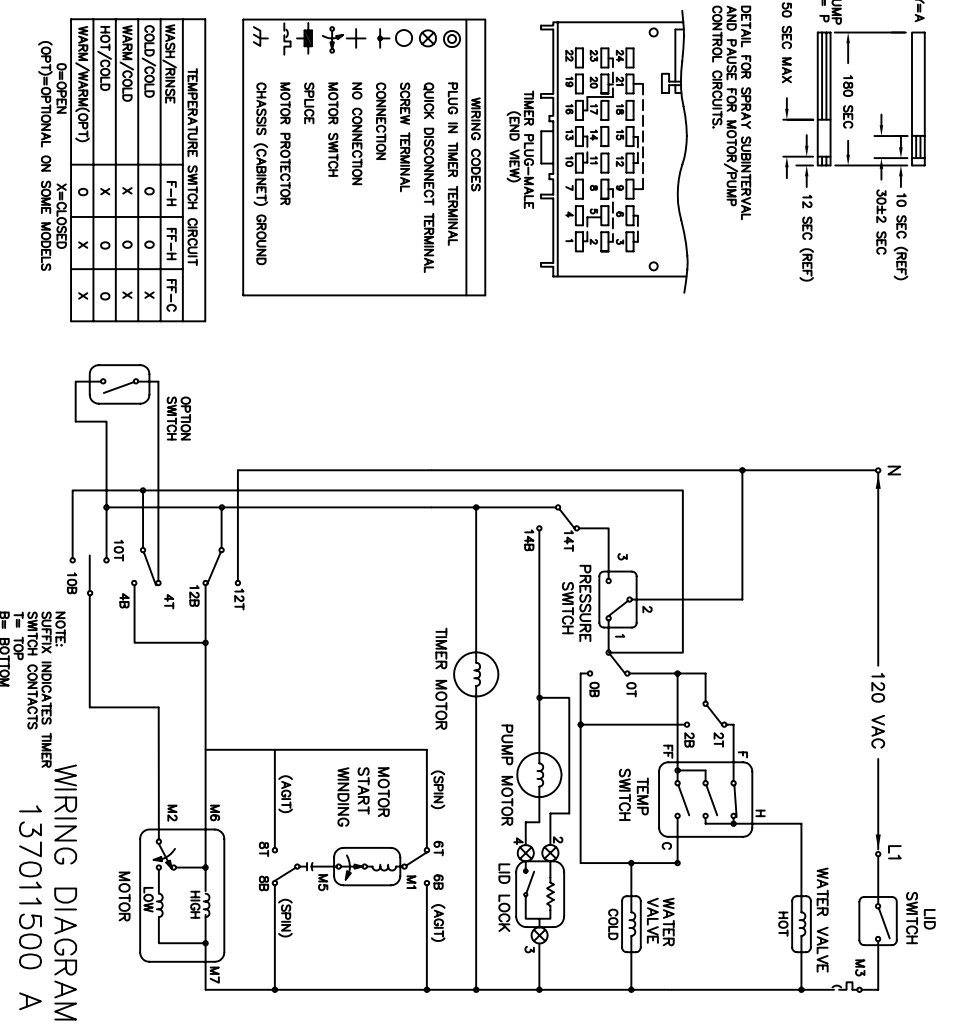
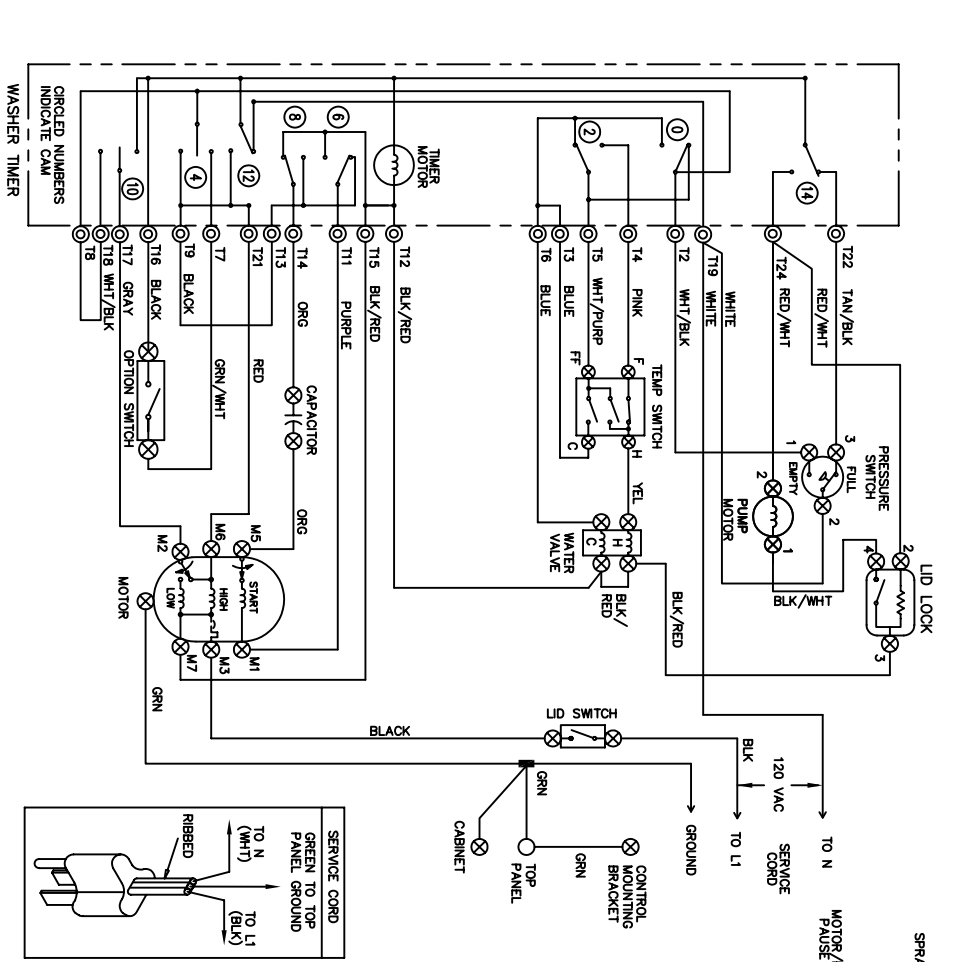
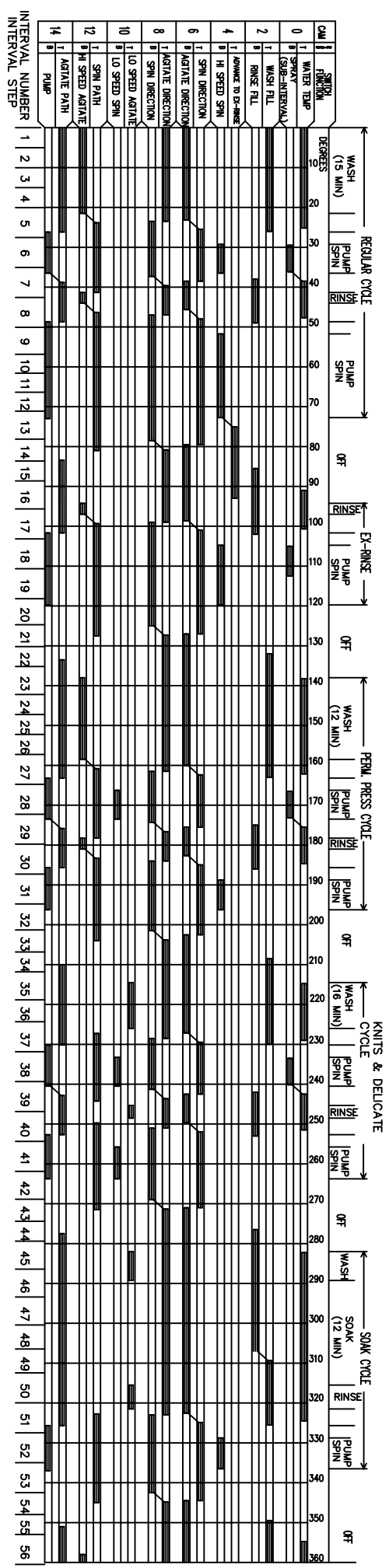


CAUTION: DISCONNECT ELECTRIC CURRENT BEFORE SERVICING



WIRING DIAGRAM
 137011500 A

