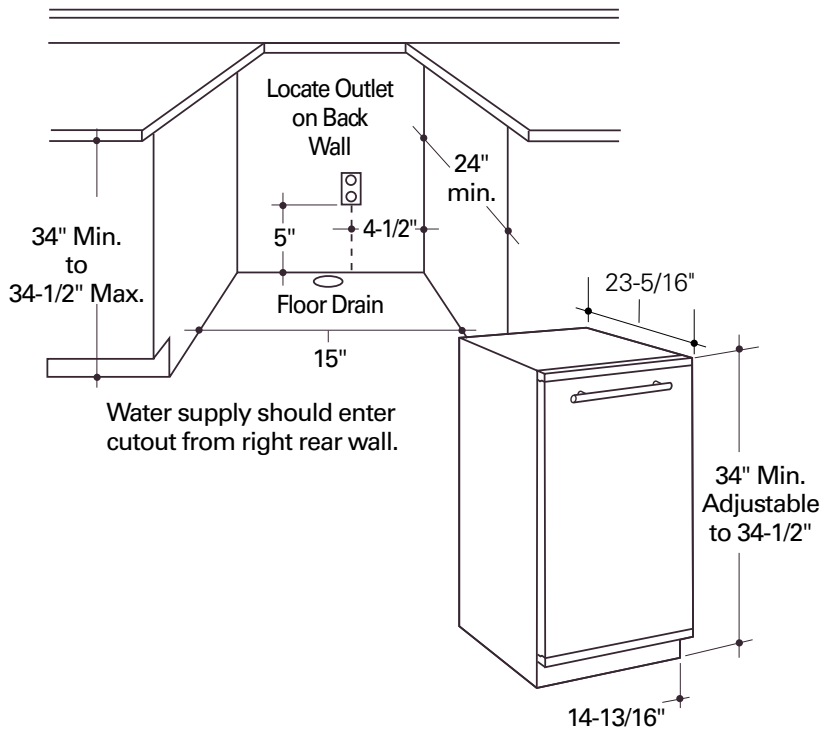




Monogram™

ZDI15CWW - GE Monogram™ High-Production, Large Capacity Automatic Icemaker

Dimensions and Specifications (in inches)



Dimensions:

H 33-1/2"
W 14-13/16"
D 23-5/16"

Note: The finished cut-out is determined by the type of installation. Before installing, consult installation instructions packed with product for current dimensional data.

Warranty Information: Full one-year warranty, in-home service, parts and labor.*

Full five-year warranty, parts and labor on the compressor, evaporator and all connecting tubing.*

*See written warranty for complete details.

Note: The addition of a 3/4" thick front panel will result in a front to back depth of 24-1/16".

For answers to your Monogram®,
GE Profile Performance Series™,
GE Profile™ or GE appliance questions, call
GE Answer Center® service, 800.626.2000.



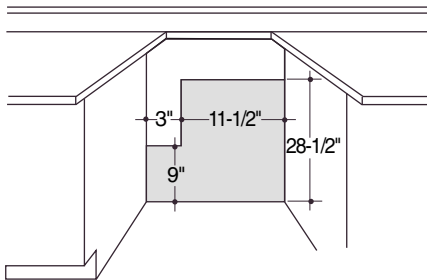
Listed by
Underwriters
Laboratories



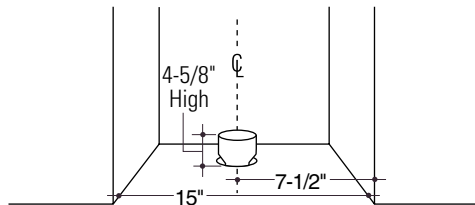
Monogram™

ZDI15CWW - GE Monogram™ High-Production, Large Capacity Automatic Icemaker

Dimensions and Specifications (in inches)



Electrical Supply Should Enter From Back Wall In Shaded Area.



Locate Standpipe in exact Center of The Cutout

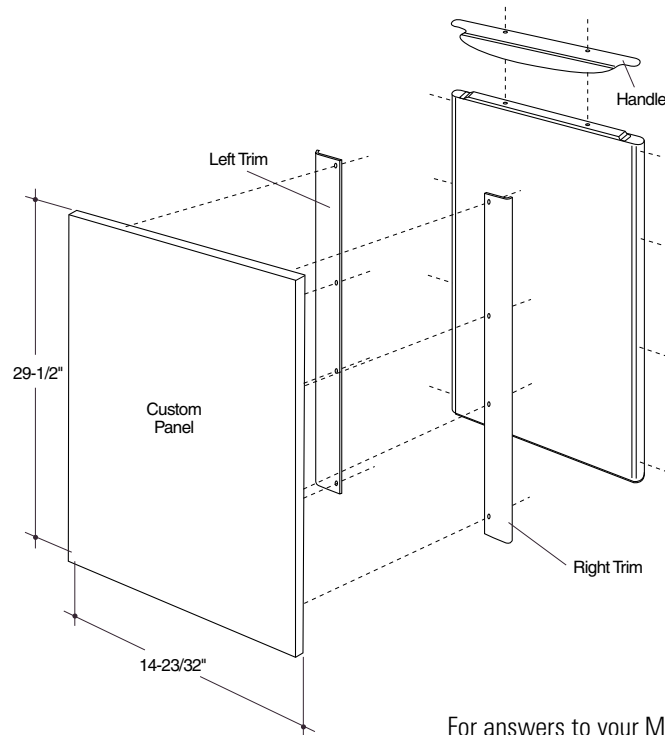
The Monogram™ automatic icemaker can be used free-standing or as a built-in, under the countertop.

The Monogram™ automatic icemaker requires a 115 Volt, 60 Hz., AC only power supply, with an individual, properly grounded branch circuit, protected by a 15 amp fuse or circuit breaker.

The Monogram™ automatic icemaker is equipped with a gravity drain to prevent water from flowing back into the ice storage bin. Although a floor drain is acceptable, the ideal installation has a standpipe with a 2" to 1-1/2" pvc drain reducer installed directly below the outlet of the drain tube.

To achieve a custom appearance, the icemaker door accepts 3/4" custom panels (using ZIP75WW White Kit) to coordinate or contrast with cabinetry.

Note: A drain pump is necessary when a floor drain is not available. Order ZPK1 Drain Pump Kit or contact your local plumber for a recommended pump available in your area.



For answers to your Monogram®, GE Profile Performance Series™, GE Profile™ or GE appliance questions, call GE Answer Center® service, 800.626.2000.

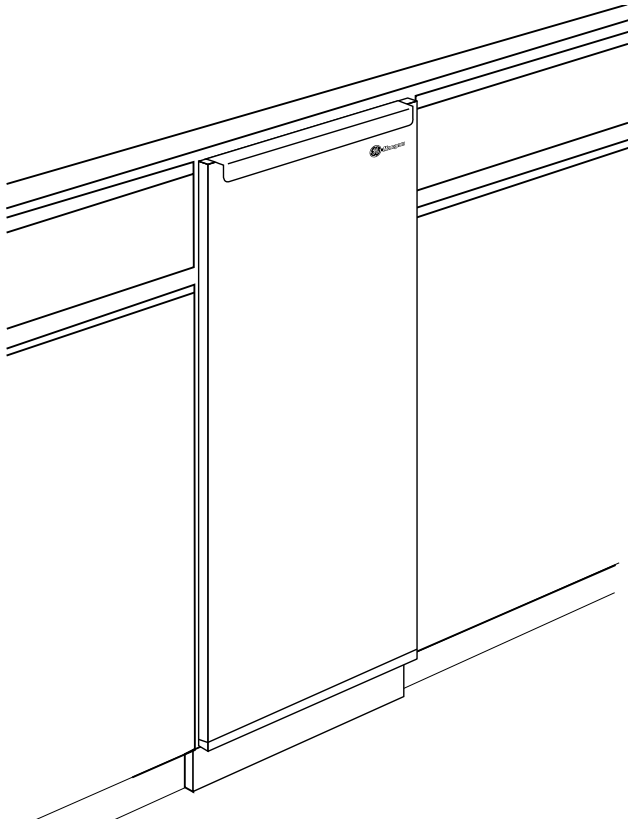


Listed by Underwriters Laboratories



Monogram™

ZDI15CWW - GE Monogram™ High-Production, Large Capacity Automatic Icemaker



Features and Benefits

- 50-lb. Daily Crystal Clear Ice Production
- Automatic Shut-Off
- On, Off and Clean Cycles
- 25-lb. Capacity Easy Access Ice Storage Bin
- Electronic Control with Pushpads
- Interior Light and Clean Indicator Light
- Full-Length Reversible Door with Door Stop
- Cast Aluminum Ice Scoop
- Model ZDI15CWW - White
- Model ZDI15CBB - Black
- Model ZDIS15CSS - Stainless Steel