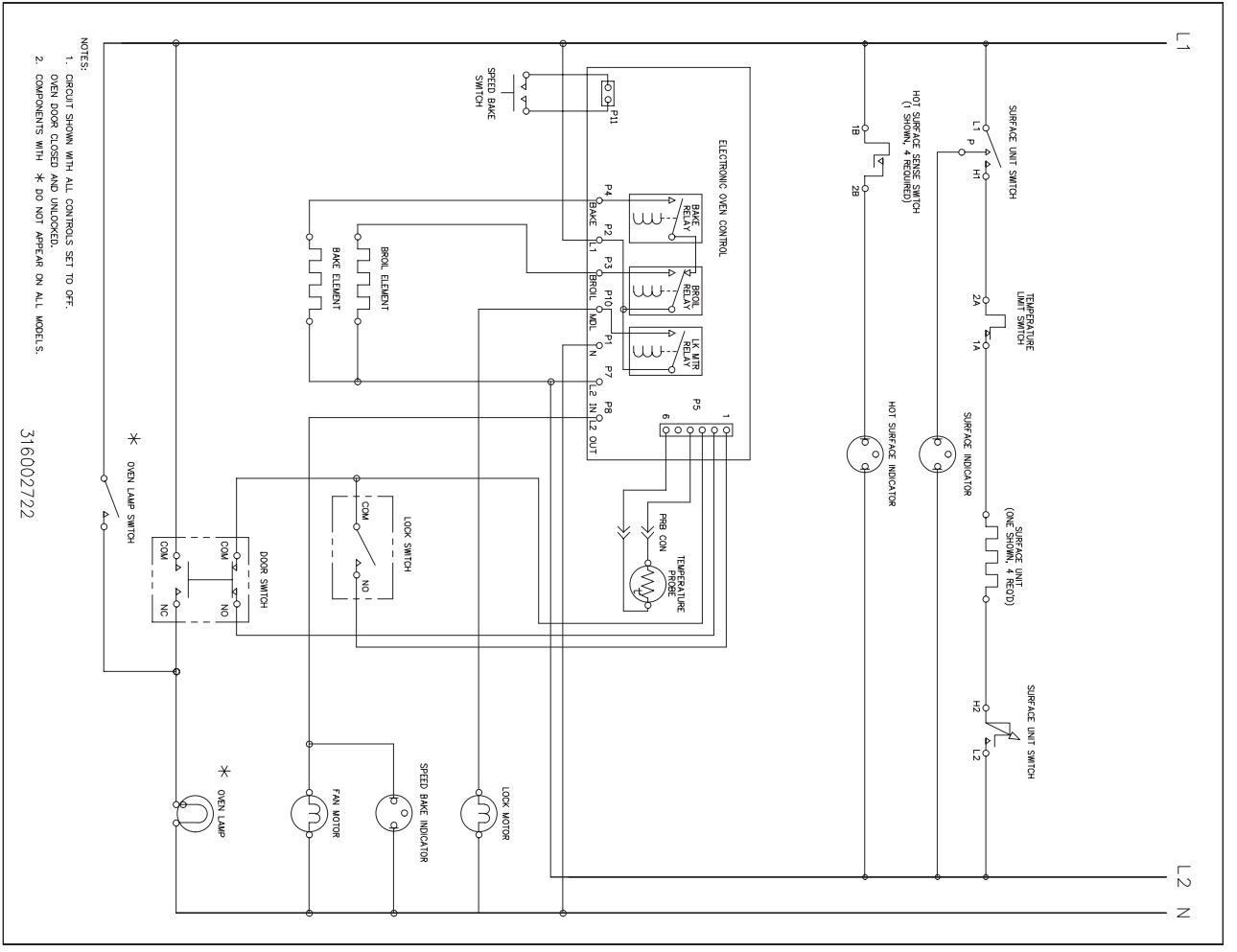


WARNING
DISCONNECT POWER BEFORE SERVICING UNIT.
TRACER WIRE: WIRE COLOR NOTED FIRST, STRIPE NEXT. EXAMPLE: GREEN WIRE WITH YELLOW STRIPE.

WIRE	AWG	TEMP °C	UL STYLE
6	12	150	3321
5	16	150	3321
4	20	150	3321
3	16	150	3321
2	16	105	1015
1	20	105	1015

COLOR	OR CODE
BLK	BLACK
BRN	BROWN
GRN	GREEN
WH	WHITE
YEL	YELLOW
RED	RED
PUR	PURPLE
TRN	TRACER
OR	ORANGE
BLU	BLUE
PNK	PINK
SLV	SILVER
GRE	GRAY



- NOTES:**
1. CIRCUIT SHOWN WITH ALL CONTROLS SET TO OFF. OVEN DOOR CLOSED AND UNLOCKED.
 2. COMPONENTS WITH * DO NOT APPEAR ON ALL MODELS.

316002722