

Use & Care Guide
Manual de Uso y Cuidado
English / Español



For best results, a low-sudsing, HE- High Efficiency Detergent made for front loading washers must be used.



Para obtener mejores resultados, una baja espuma, H.E. Alta eficiencia de detergentes para lavadoras de carga hizo frente debe ser utilizado.

Models/Modelos: 402.4903*

Kenmore

Front Load Washer

Lavador de Carga Frontal

* = color number, numero de color

P/N 134779000B (0807)
Sears Brands Management
Corporation, Hoffman Estates,
IL 60179 USA
www.sears.com



Code No. : DC68-02855A-02

TABLE OF CONTENTS

SAFETY MESSAGES

IMPORTANT SAFETY INSTRUCTIONS

GROUNDING REQUIREMENTS

FEATURES AND BENEFITS

Key Parts and Components 6

INSTALLATION REQUIREMENTS

Key dimensions and specifications 7
Choose the proper location 7
Flooring 7
Clearances 7

INSTALLATION INSTRUCTIONS

Unpacking and removing shipping bolts 8
Connecting the water lines 8
Connecting the drain hose 9
Connect to the power supply 10
Leveling the washer 10

HOW TO USE

Control panel features 11
Operating the washer 12
Cycle guide 13
Sorting wash loads 14
About the dispenser 15
Detergent and dispenser use 16
Time and status display 17
Cycle modifier buttons 18
Cycle option buttons 19
 DELAY START 19
Special functions 19
 CONTROL LOCK 19
 CLEAN WASHER 20
 MY CYCLE 20

CARE AND CLEANING

Regular cleaning 21
 Cleaning the exterior 21
 Cleaning the interior 21
 Cleaning the door seal 21
 Storing your washer 21
 Cleaning the dispenser 22
Maintenance 23
 Cleaning the water inlet filters 23
 Cleaning the debris filter 24

TROUBLESHOOTING GUIDE

Normal sounds you may hear 25
Before calling for service 25

PRODUCT RECORD

In the space below, record the date of purchase, model, and serial number of your product. You will find the model and serial number printed on an identification plate located inside the washer door. Have these items of information available whenever you contact Sears concerning your product.

Model No. _____

Date of Purchase _____

Serial No. _____

Save these instructions and your sales receipt for future reference.

PROTECTION AGREEMENTS

Master Protection Agreements

Congratulations on making a smart purchase. Your new Kenmore® product is designed and manufactured for years of dependable operation. But like all products, it may require preventive maintenance or repair from time to time. That's when having a Master Protection Agreement can save your money and aggravation.

The Master Protection Agreement also helps extend the life of your new product. Here's what the Agreement* includes:

- **Parts and labor** needed to help keep products operating properly **under normal use**, not just defects. Our coverage goes **well beyond the product warranty**. No deductible, no functional failure excluded from coverage - **real protection**.
- **Expert service** by a force of more than 10,000 authorized **Sears service technicians**, which means someone you can trust will be working on your product.
- **Unlimited service calls and nationwide service**, as often as you want us, whenever you want us.
- **"No-lemon" guarantee** - replacement of your covered product if four or more product failures occur within twelve months.
- **Product replacement** if your covered product can't be fixed.
- **Annual Preventive Maintenance Check** at your request - no extra charge.
- **Fast help by phone** - we call it **Rapid Resolution**. Phone support from a Sears representative on all products. Think of us as a "talking owner's manual."
- **Power surge protection** against electrical damage due to power fluctuations.
- **\$250 food loss protection annually** for any food spoilage that is the result of mechanical failure of any covered refrigerator or freezer.
- **Rental reimbursement** if repair of your covered product takes longer than promised.
- **10% discount** off the regular price of any non-covered repair service and related installed parts.

Once you purchase the Agreement, a simple phone call is all that it takes for you to schedule service. You can call anytime day or night or schedule a service appointment online.

The Master Protection Agreement is a risk-free purchase. If you cancel for any reason during the product warranty period, we will provide a full refund, or a prorated refund anytime after the product warranty period expires.

Purchase your Master Protection Agreement today!

Some limitations and exclusions apply.

For prices and additional information in the U.S.A. call 1-800-827-6655.

***Coverage in Canada varies on some items.**

For full details call Sears Canada at 1-800-361-6665.

Sears Installation Service

For Sears professional installation of home appliances, garage door openers, water heaters, and other major home items, in the U.S.A. or Canada call

1-800-4-MY-HOME®.

SAFETY MESSAGES

We have provided many important safety messages in this manual and on your appliance. Always read and obey all safety messages.



This is the safety alert symbol.

This symbol alerts you to potential hazards that can result in property damage and/or serious bodily harm or death.

All safety messages will follow the safety alert symbol and either the word DANGER or WARNING. These words mean:

 **DANGER**

Failure to follow these safety instructions may result in property damage and/or serious bodily harm or death.

 **WARNING**

Failure to follow these safety instructions may result in property damage and/or serious bodily harm or death.

All safety messages will tell you what the potential hazard is, tell you how to reduce the chance of injury, and tell you what can happen if the instructions are not followed.

IMPORTANT SAFETY INSTRUCTIONS

 **WARNING**

To reduce the risk of fire, electric shock, or injury to persons when using this appliance, follow basic precautions, including the following.

- Before use, the washer must be properly installed as described in this manual.
- Do not wash articles that have been previously cleaned in, washed in, soaked in, or spotted with gasoline, dry cleaning solvents, or other flammable or explosive substances, as they give off vapors that could ignite or explode.
- Do not add gasoline, dry cleaning solvents, or other flammable or explosive substances to the wash water. These substances give off vapors that could ignite or explode.
- Under certain conditions, hydrogen gas may be produced in a hot water system that has not been used for 2 weeks or more. **HYDROGEN GAS IS EXPLOSIVE.**
- If the hot water system has not been used for such a period, before using the washer, turn ON all hot water faucets and let the water flow from each for several minutes. This will release any accumulated hydrogen gas. As the gas is flammable, do not smoke or use an open flame during this time.
- Do not allow children to play on or in the washer. Close supervision of children is necessary when the washer is used near children.
- Before the washer is removed from service or discarded, remove the door to prevent children from climbing inside.
- Do not install or store the washer where it will be exposed to the weather or freezing temperatures.
- Do not tamper with controls.
- Do not repair or replace any part of the washer or attempt any servicing other than as described in this manual. We strongly recommend that any service be performed by a qualified individual.
- See Installation Instructions for grounding requirements.
- ALWAYS follow the fabric care instructions supplied by the garment manufacturer.
- Do not place items exposed to cooking oil in your washer. Items contaminated with cooking oils may contribute to a chemical reaction that could cause a load to catch fire.
- Use fabric softeners or products to eliminate static only as recommended by the manufacturer.
- This washer is not designed for maritime use or for mobile installations such as in RVs, aircraft, etc.
- Turn OFF the water taps and unplug the washer if the machine is to be left for an extended period of time, such as during vacations.
- Packaging material can be dangerous for children.
- There is a risk of suffocation! Keep all packaging from children.
- Always check the inside of the washer for foreign objects before loading laundry. Keep the door closed when not in use.

IMPORTANT SAFETY INSTRUCTIONS

WARNING

To reduce the risk of fire, electric shock, or injury to persons when using this appliance, follow basic precautions, including the following.

- **Unplug the washer before cleaning** to avoid the risk of electric shock.
- **Never use harsh chemicals, abrasive cleaners, or solvents to clean the washer.** They will damage the finish.
- **Do not put oily or greasy rags or clothing on top of the washer.** These substances give off vapors that could ignite the materials.
- **Do not wash items that are soiled with vegetable or cooking oil.** These items may contain some oil after laundering and may catch fire.
- **Disconnect this appliance from the power supply before attempting any user maintenance. Turning the controls to**

the OFF position does not disconnect this appliance from the power supply. Failure to follow this warning can cause serious injury, fire, electrical shock, or death.

- **Do not combine detergents, fabric softeners, and other laundry products from different manufacturers for use in one load unless specified on the label.**
- **Do not mix chlorine bleach with ammonia or acids such as vinegar. Follow package directions when using laundry products.** Incorrect usage can produce poisonous gas, resulting in serious injury or death.
- **Do not reach into the washer while parts are moving. Before loading, unloading, or adding items, push in the cycle selector knob and allow the drum to coast to a complete stop before reaching inside.** Failure to follow this warning can cause serious injury, fire, electrical shock, or death.

WARNING

- **Refer to INSTALLATION INSTRUCTIONS for detailed grounding procedures.** Installation instructions are packed in the washer for installer's reference. If the washer is moved to a new location, have it checked and reinstalled by a qualified service person. Failure to follow this warning can cause serious injury, fire, electrical shock, or death.
- **Do not, under any circumstances, cut or remove the third (ground) prong from the power cord.** Failure to follow this warning can cause serious injury, fire, electrical shock, or death.
- **For personal safety, this appliance must be properly grounded.** Failure to follow this warning can cause serious injury, fire, electrical shock, or death.
- **The power cord of this appliance is equipped with a 3-prong (grounding) plug which mates with a standard 3-prong (grounding) wall outlet** to minimize the possibility of electric shock hazard from this appliance.
- **This washer must be plugged into a 120VAC, 60Hz grounded outlet.** Failure to follow this warning can cause serious injury, fire, electrical shock, or death.
- **Have the wall outlet and circuit checked by a qualified electrician to make sure the outlet is properly grounded.** Failure to follow this warning can cause serious injury, fire, electrical shock, or death.
- **Where a standard 2-prong wall outlet is encountered, it is your personal responsibility and obligation to have it replaced with a properly grounded 3-prong wall outlet.** Failure to follow this warning can cause serious injury, fire, electrical shock, or death.
- **Do not install on carpet. Install washer on a solid floor.** Failure to follow this warning can cause serious leak damage.
- **Do not remove grounding prong. Do not use an adapter or extension cord. Plug into a grounded 3-prong outlet.** Failure to follow these warnings can cause serious injury, fire, electrical shock, or death.

- **The washer should always be plugged into its own individual electrical outlet which has a voltage rating that matches the rating plate.** This provides the best performance and also prevents overloading house wiring circuits which could cause a fire hazard from overheated wires.
- **Never unplug your washer by pulling on the power cord.** Always grip plug firmly and pull straight out from the outlet. Failure to follow this warning can cause serious injury, fire, electrical shock, or death.
- **Immediately repair or replace all power cords that have become frayed or otherwise damaged. Do not use a cord that shows cracks or abrasion damage along its length or at either end.** Consult with a qualified service person. Failure to follow this warning can cause serious injury, fire, electrical shock, or death.
- **When installing or moving the washer, be careful not to pinch, crush, or damage the power cord.** Failure to follow this warning can cause serious injury, fire, electrical shock, or death.
- **The washer must be installed and electrically grounded by a qualified service person in accordance with local codes** to prevent shock hazard and assure stability during operation.
- **Washer is heavy. Two or more people may be needed to install and move the appliance.** Failure to do so can result in back or other injury.
- **Store and install the washer where it will not be exposed to temperatures below freezing or exposed to outdoor weather conditions.** Failure to follow this warning can cause serious leak damage.
- **To reduce the risk of electric shock, do not install the washer in humid spaces.** Failure to follow this warning can cause serious injury, fire, electrical shock, or death.

IMPORTANT SAFETY INSTRUCTIONS

WARNING: RISK TO CHILDREN

- **Do not allow children to play on or in the washer. Close supervision of children is necessary when the washer is used near children. As children grow, teach them the proper, safe use of all appliances.** Failure to comply with these warnings could result in serious personal injuries.
- **Destroy the carton, plastic bag, and other packing materials after the washer is unpacked. Children might use them for play. Cartons covered with rugs, bedspreads, or plastic sheets can become airtight chambers.** Failure to comply with these warnings could result in serious personal injuries.
- **Keep laundry products out of children's reach. To prevent personal injury, observe all warnings on product labels.** Failure to comply with these warnings could result in serious personal injuries.
- **Remove the door to the washing compartment to avoid the danger of children or small animals getting trapped inside before your washer is removed from service or discarded.** Failure to do so can result in serious personal injury or death.

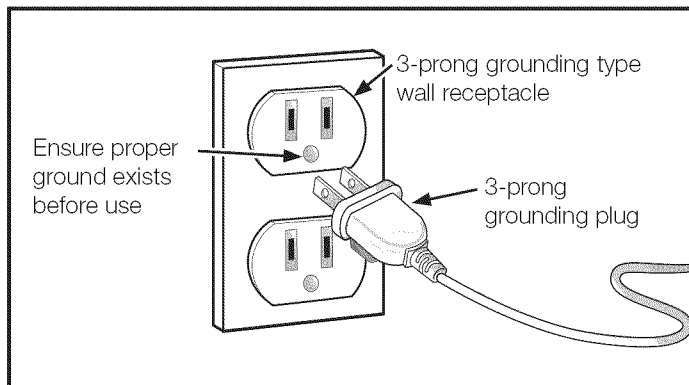
GROUNDING REQUIREMENTS

IMPORTANT: Please read carefully.

TO CONNECT ELECTRICITY

WARNING

Improper connection of the equipment-grounding conductor can result in risk of electric shock. Check with a qualified electrician or serviceman if you are in doubt as to whether the appliance is properly grounded. Do not modify the plug provided with the appliance. If it does not fit the outlet, have a proper outlet installed by a qualified electrician. Failure to follow these warnings can cause serious injury, fire, electrical shock, or death.



GROUNDING INSTRUCTIONS

This appliance must be grounded. In the event of malfunction or breakdown, grounding will reduce the risk of electric shock by providing a path of least resistance for electric current. This appliance is equipped with a cord having an equipment-grounding conductor and grounding plug. The plug must be plugged into an appropriate outlet that is properly installed and grounded in accordance with all local codes and ordinances.

FEATURES AND BENEFITS

KEY PARTS AND COMPONENTS

A. DETERGENT DISPENSER

There are four compartments, one each for prewash (not used on this model) main wash, liquid bleach, and liquid fabric softener.

B. CONTROL PANEL WITH LED DISPLAY

The easy-to-read LED display shows cycle options, settings, cycle status, and estimated time remaining during operation.

NOTE: Sensors in the washer automatically detect the size of the wash load to optimize washing time, based on the selected cycle and options.

C. DIRECT-DRIVE MOTOR

The direct-drive motor provides improved performance and reliability while increasing energy efficiency. (Motor is not visible.)

D. LARGE-CAPACITY STAINLESS STEEL DRUM

The ultra-large stainless steel drum offers extreme durability and is tilted to improve efficiency and allow easier access for large items.

E. EASY-ACCESS LOCKING DOOR

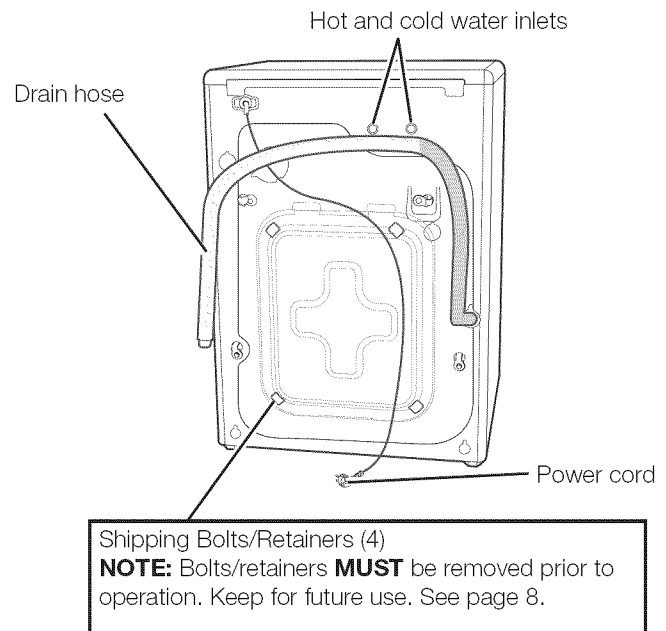
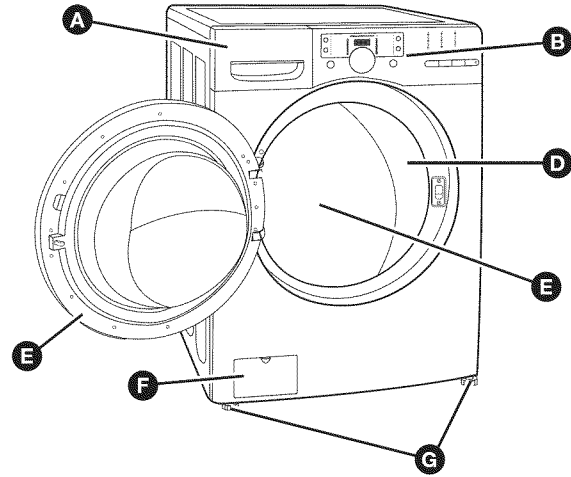
The extra-large door locks during operation and has a delay feature to prevent the door from being opened until it is safe to do so.

F. FILTER ACCESS PANEL

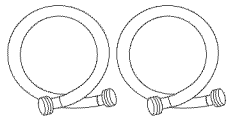
Provides easy access to the drain pump filter, which allows you to clean the filter or retrieve lost items without a service call.

G. LEVELING FEET

Four leveling feet (two in the front and two in the back) adjust to improve washer stability on uneven floors. Feet are adjusted and locked in place using the adjusting wrench included with the washer.



Included Accessories



Hot and Cold Water Hoses



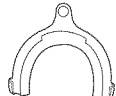
Caps (6) (for covering shipping bolt holes)



Wrench (for removing shipping bolts and adjusting and locking leveling feet)



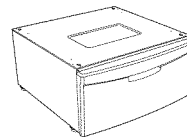
User Manual



Elbow Bracket (for securing drain hose)

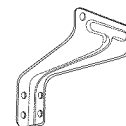
Optional Accessories

Pedestal



WE357A7W/XAA (white)

Stacking kit (For dryer)



SK-5A/XAA

Drain Hose Extension



P/N DC82-01012A

INSTALLATION REQUIREMENTS

KEY DIMENSIONS AND SPECIFICATIONS

Description	Front-Loading Washer
Rated Voltage/Frequency	120 VAC @ 60 Hz.
Dimensions	27" (W) X 31.1" (D) X 38" (H) X 50.8" (D. door open) 68.6 cm (W) X 80 cm (D) X 96.5 cm (H) X 129 cm(D. door open)
Net Weight	179 lbs (81 kg)

CHOOSE THE PROPER LOCATION

WARNING

- **Washer is heavy! Two or more people are required when moving and unpacking the washer.** Failure to do so may result in damage to property or serious bodily harm.
- **Store and install the washer where it will not be exposed to temperatures below freezing or exposed to outdoor weather conditions.** Failure to follow this warning can cause serious injury, fire, electrical shock, or death.
- **Properly ground washer to conform with all governing codes and ordinances.** Failure to follow this warning can cause serious injury, fire, electrical shock, or death.
- **To reduce the risk of electric shock, do not install the washer in humid spaces.** Failure to follow this warning can cause serious injury, fire, electrical shock, or death.
- The base opening must not be obstructed by carpeting when the washer is installed on a carpeted floor.
- **Do not remove ground prong. Do not use an adapter or extension cord. Plug into a grounded 3-prong outlet.** Failure to follow this warning can cause serious injury, fire, electrical shock, or death.

Power Outlet

- The power outlet must be within 60 in. (1.5 m) of either side of the washer.
- The appliance and outlet must be positioned so that the plug is easily accessible.
- Do not overload the outlet with more than one appliance.
- The outlet must be grounded in accordance with current wiring codes and regulations.
- Time-delay fuse or circuit breaker is recommended.

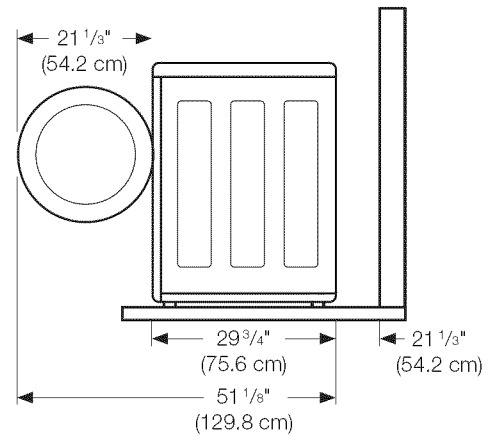
NOTE: It is the personal responsibility and obligation of the product owner to have a proper outlet installed by a qualified service person.

FLOORING

For best performance, your washer must be installed on a solidly constructed floor. Wood floor may need to be reinforced to minimize vibration and/or unbalanced load situations. Carpeting and soft tile surfaces are contributing factors in vibration and may cause your washer to move slightly during the spin cycle.

CAUTION: Never install your washer on a platform or weakly supported structure.

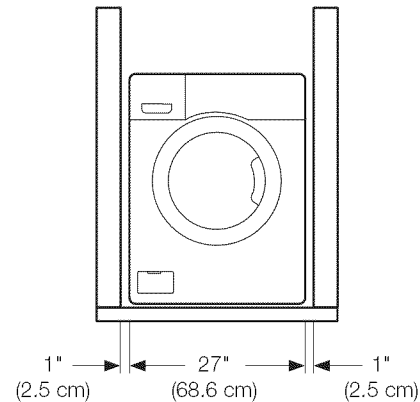
CLEARANCES



MINIMUM CLEARANCES FOR CLOSET AND ALCOVE INSTALLATIONS:

- Sides – 1 In. (2.5 cm)
- Top – 17 In. (43.2 cm)
- Rear – 4 In. (10.2 cm)
- Closet Front – 2 In. (5.1 cm)

If the washer and dryer are installed together, the closet front must have at least 72 in² (465 cm²) of an unobstructed air opening. Your washer alone does not require a specific air opening.



NOTE: Please note that the floor must be strong and rigid enough to support the weight of the washer, when fully loaded, without flexing or bouncing. If your floor has too much flex in it, you may need to reinforce it to make it more rigid. A floor that is adequate for a top-loading washer may not be rigid enough for a front loading washer, due to the difference in the spin speed and direction. If the floor is not solid, your washer may vibrate and you may hear and feel the vibration throughout your house.

INSTALLATION INSTRUCTIONS

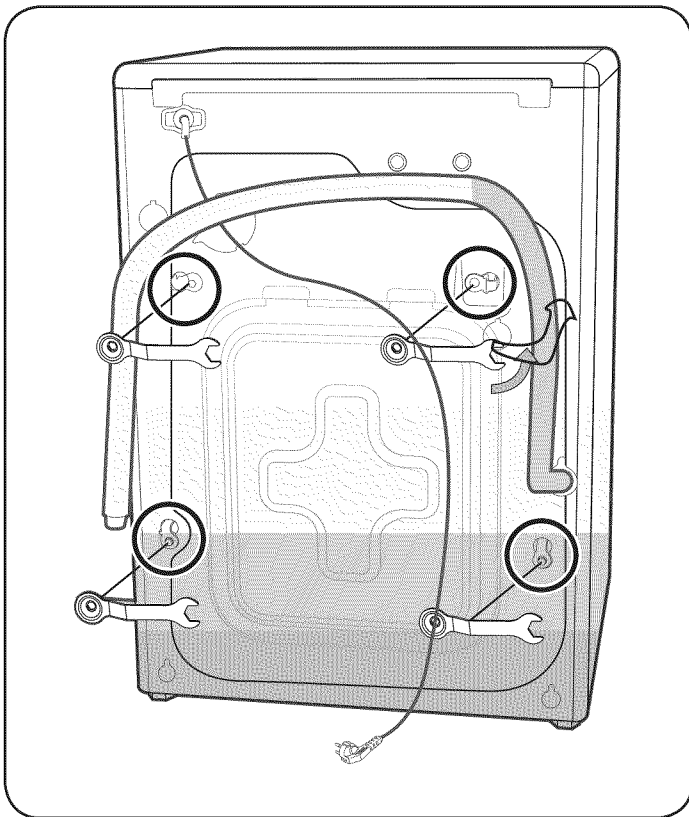
UNPACKING AND REMOVING SHIPPING BOLTS

Before you install the washer, make sure the location:

- Has a hard, level surface without carpeting or flooring that may obstruct ventilation.
- Has no dust, oil and detergent etc.
- Is away from direct sunlight.
- Has adequate ventilation.
- Will not be freezing (below 32 °F or 0 °C).
- Is away from heat sources such as oil or gas.
- Has enough space so that the washer doesn't stand on its power cord.

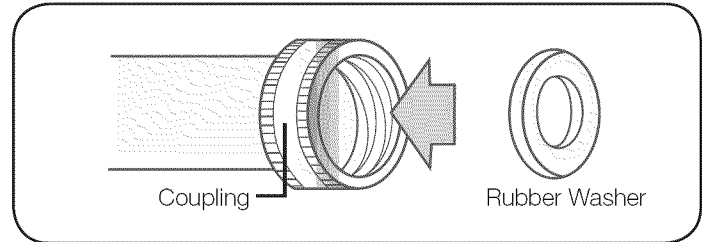
Before using your Washer, you must remove the four shipping bolts from the back of the unit.

1. Loosen all the bolts with the supplied wrench.
2. Slide the bolt and spacer up and remove the bolt with the spacer through the hole in the rear wall of your washer. Repeat for each bolt.
3. Fill the holes with the supplied plastic covers.
4. Keep the shipping bolts and spacers for future use.



CONNECTING THE WATER LINES

1. Before connecting the inlet hoses to the water faucets, check to ensure a rubber washer is inside each coupling on both ends of the fill hose.

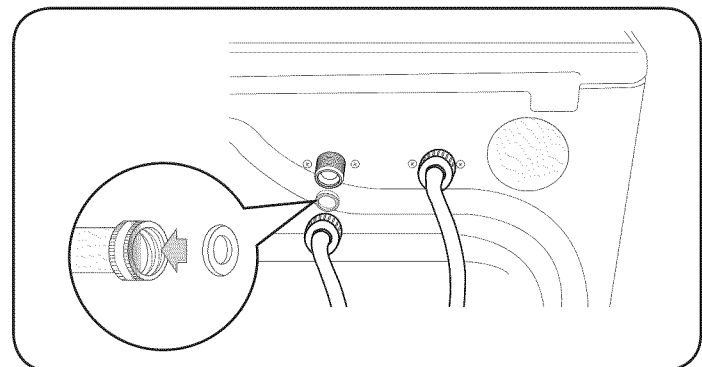
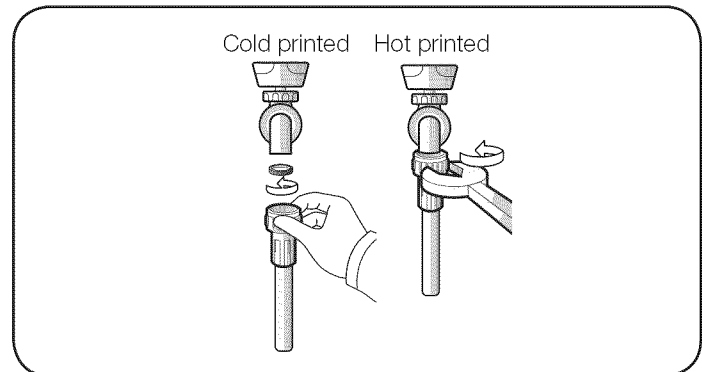


2. Thread the inlet hoses to the HOT and COLD faucet connections on the washer.

On the other end of the hose, check for one rubber washer per hose and attach each fill hose to the water valve. Make sure the hose with the Hot printed line is attached to the HOT faucet. Tighten by hand until snug, then two-thirds of a turn with pliers.

NOTE: For correct water use, connect both HOT and COLD water valves. If either or both are not connected, an "nF" (no fill) error can occur.

3. Turn on the HOT and COLD water supply and check all connections at the water valve and the faucet for leaks.



INSTALLATION INSTRUCTIONS

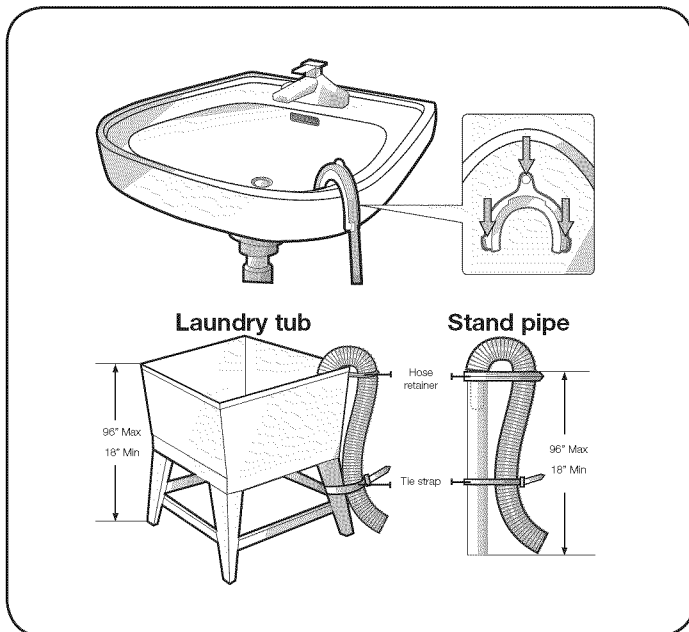
CONNECTING THE DRAIN HOSE

Option1: Laundry Tub, Stand pipe

Place the drain hose in the drain facility (tub, sink, or standpipe.) If you connect the drain hose to a standpipe, be sure an airtight connection is NOT made between the drain hose and the standpipe. The standpipe must be at least 18 inches or 46 cm high and no higher than 96 inches.

NOTE: Caution must always be exercised to avoid collapsing or damaging the drain hose. For best results, the drain hose should not be restricted in any way – by elbows, couplings, or excessive lengths.

For situations where the drain hose cannot be conveniently elevated to at least 18 in or 46 cm, the drain hose must be supported.

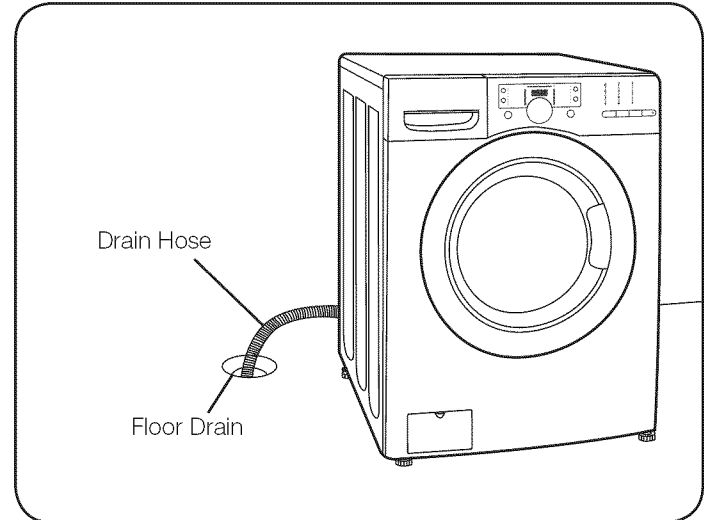


Option2: Floor Drain

Insert the end of the drain hose into the floor drain.

Secure the hose to prevent it from moving or coming out of the drain if possible.

NOTE: To avoid siphoning, do not cover the end of drain hose with water level.

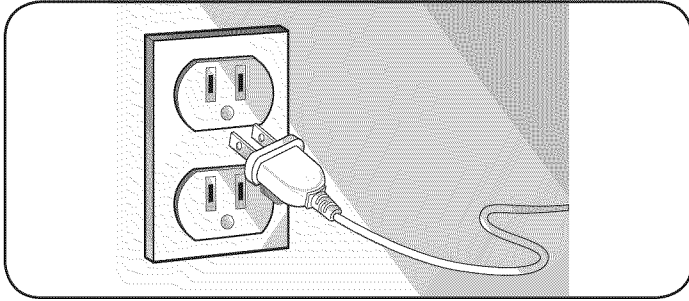


INSTALLATION INSTRUCTIONS

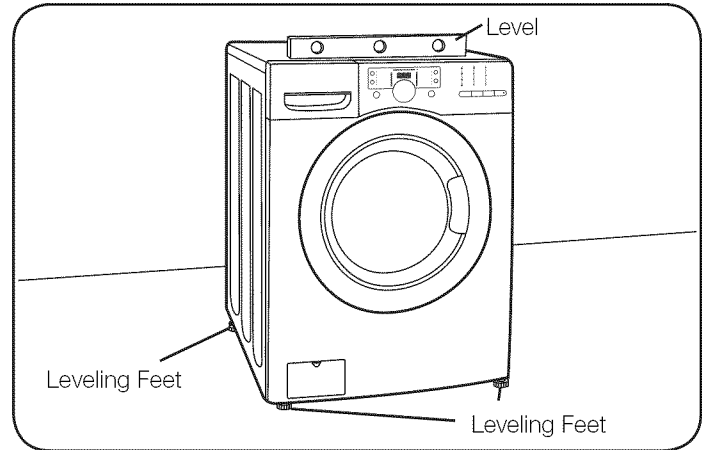
CONNECT TO THE POWER SUPPLY

Plug the power cord into a 3-prong, well grounded 120 volt 60 Hz approved electrical outlet protected by a 15-amp fuse or comparable circuit breaker.

Your washer is grounded through the third prong of the power cord when plugged into a three-prong grounded receptacle.



- All four leveling feet must rest solidly on the floor. Attempt to rock the washer from corner to corner to make sure that all four leveling feet are in firm contact with the floor.

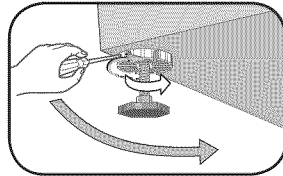
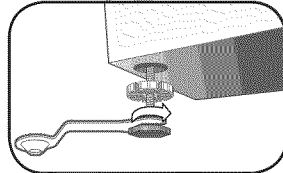


LEVELING THE WASHER

1. Slide your washer into position.
2. Level your washer by turning the leveling legs in or out as necessary by hand or by using the wrench included with your washer. When your washer is level, tighten the locking nuts using the wrench or (-) flathead screwdriver.

NOTE: Your washer must be leveled on all four sides. A carpenter's level should be used on all four corners of your washer. It's the best to recheck after the first dozen washes.

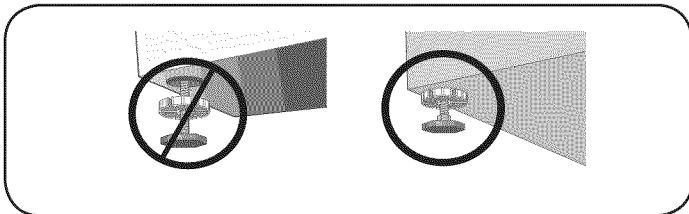
NOTE: Avoid damage to the legs. Do not move the washer unless the locking nuts are fastened to the bottom of the washer.



The drum of your new washer spins at very high speeds.

To minimize vibration, noise, and unwanted movement, the floor must be a level, solid surface.

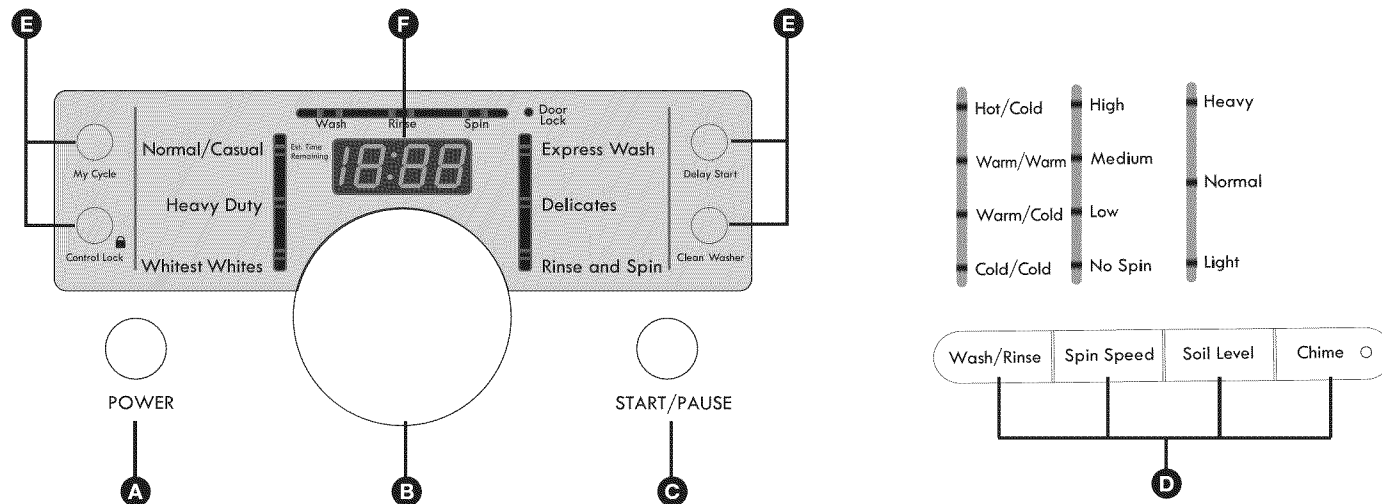
NOTE: Adjust the leveling feet only as far as necessary to level the washer. Extending the leveling feet more than necessary can cause the washer to vibrate.



HOW TO USE

WARNING: To reduce the risk of fire, electric shock, or injury to persons, read and follow this entire manual, including the Important Safety Instructions, before operating this washer.

CONTROL PANEL FEATURES



A. POWER (ON/OFF) BUTTON

Press to turn the washer ON. Press again to turn the washer OFF.

NOTE: Pressing the POWER button during a cycle will cancel that cycle and any load settings will be lost.

The door will unlock after a brief pause unless the water level or temperature is too high.

B. CYCLE SELECTOR KNOB

Turn this knob to select the desired cycle. Once the desired cycle has been selected, the standard presets will be shown in the display. These settings can be adjusted using the cycle setting buttons anytime before starting the cycle. (See the cycle guide on page 14 for allowable settings. To protect your fabrics, not all settings are allowed in all cycles.)

C. START/PAUSE BUTTON

Press this button to start the selected cycle. If the washer is running, use this button to pause the cycle without losing the current settings.

NOTE: If you do not press the START/PAUSE button within 4 minutes of selecting a cycle, the washer automatically turns OFF.

D. CYCLE MODIFIER BUTTONS

Use these buttons to adjust the desired cycle options for the selected cycle. The lights above the buttons show the current selection. See page 19 for a complete description.

NOTE: Not all settings are available on all cycle selections. See chart on page 14 for details.

E. SPECIAL CYCLE AND OPTION BUTTONS

These buttons are used to activate special cycles or options. See page 20 for details.

F. TIME AND STATUS DISPLAY

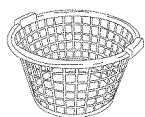
The display shows the estimated time remaining, cycle status, and door lock status. See page 18 for a complete description.

G. DISPENSER

Dispenser drawer. This drawer contains the compartments for detergent and additives. See pages 16 -17 for complete information.

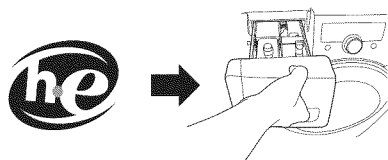
HOW TO USE

OPERATING THE WASHER



1. SORT LAUNDRY AND LOAD WASHER

Refer to page 15.



2. ADD DETERGENT AND OTHER PRODUCTS

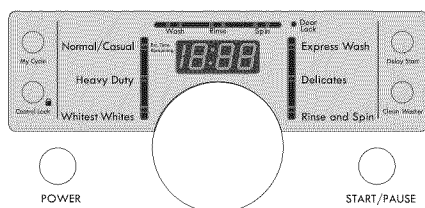
Open the dispenser drawer and add HE (High-Efficiency) detergent to the main wash compartment in the dispenser drawer. Add bleach and fabric softener as desired. See pages 14 and 15 for important information on detergents and dispenser use.



START/PAUSE

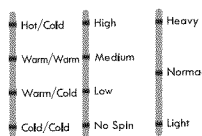
3. TURN ON THE WASHER

Press the POWER button to turn ON the washer. The lights around the Cycle Selector Knob will illuminate and a chime will sound, if turned ON. Refer to page 12.



4. SELECT A CYCLE

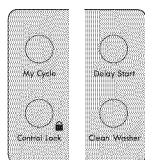
Turn the Cycle Selector Knob either direction to select the desired cycle. The preset Wash/Rinse Temperature, Spin Speed, Soil Level, and Option settings for that cycle will be shown. Refer to page 12.



5. SELECT CYCLE MODIFIERS

Default settings for the selected cycle can now be changed if desired. This can be done using the cycle modifier buttons as shown on page 19 (Wash/Rinse, Spin Speed, Soil Level, and Chime).

NOTE: To protect your fabrics, not all modifiers are available on all cycles.



6. SELECT CYCLE OPTIONS

Cycle options can also be added using the options buttons as shown on page 20 (My Cycle, Control Lock, Delay Start, Clean Washer).

NOTE: Not all options are available on all cycles.



POWER

7. BEGIN CYCLE

Press the START/PAUSE button to begin the cycle. Once the cycle has been started, pressing the START/PAUSE again will pause the washer and retain the existing settings for up to 4 minutes.

HOW TO USE

CYCLE GUIDE

The cycle guide below shows the default settings, available options and recommended fabric types for each cycle. Allowable modifier adjustments are shown below the default setting for each cycle.

● = Available option

▨ = Default setting

CYCLE				DEFAULT			OPTIONS	
Cycle	Fabric or Load Type	Load sensing	Display Time (Min.)	Wash/Rinse Temp	Spin Speed	Soil Level	Delay Start	My Cycle
Normal	For most fabrics including cottons, linens, and normally soiled garments.	LOW (1.5kg)	0:56	Warm/Cold	High	Normal	●	●
		MED (3.5kg)	0:58	Hot/Cold	Medium	Heavy		
		HIGH (5.5kg)	1:00	Cold/Cold	Low	Light		
Heavy duty	For sturdy, colorfast fabrics, and heavily soiled garments.	LOW (1.5kg)	1:29	Hot/Cold	High	Heavy	●	●
		MED (3.5kg)	1:30	Warm/Warm	Medium	Normal		
		HIGH (5.5kg)	2:07	Warm/Cold	Low	Light		
Whitest Whites	For white fabrics with or without bleach.		1:15	Warm/Cold	High	Normal	●	●
				Hot/Cold	Medium	Heavy		
Rinse and Spin	Use for loads that need rinsing only or to add rinse-added fabric softener to a load.		0:20	Cold/Cold	High	-	●	●
				Cold/Cold	Medium			
Express wash	For lightly soiled garments needed quickly.		0:27	Warm/Cold	High	Light	●	●
				Hot/Cold	Medium	Heavy		
				Warm/Warm	Low	Normal		
Delicates	For sheer fabrics, bras, lingerie silk, and other handwash-only fabrics. For best results, use liquid detergent.		0:45	Cold/Cold	Low	Normal	●	●
				Warm/Warm	No Spin	Heavy		
Clean washer	For cleaning the tub		1:34	Hot/Cold	Medium	-	●	●

NOTE: To protect your garments, not every wash/rinse temperature, spin speed, soil level, or option is available with every cycle. A different chime will sound and the LED will not come on if the selection is not allowed.

NOTE: The washer automatically adjusts the wash time for the amount of laundry, water pressure, water heating time and other operating condition.

HOW TO USE

SORTING WASH LOADS

Fabric Care Labels

Many articles of clothing include a fabric care label. Using the chart below, adjust the cycle and options selections to care for your clothing according to the manufacturer's recommendations.

Fabric care labels			
Machine wash cycle			
	Normal	Permanent press/ wrinkle resistant	Gentle/delicate
	Hand wash	Do not wash	Do not wring
Water temperature			
	Hot (50°C/120°F)	Warm (40°C/105°F)	Cold/cool (30°C/85°F)
Bleach symbols			
	Any bleach (when needed)	Only non-chlorine bleach (when needed)	Do not bleach

Grouping Similar Items

For the best washing results and to reduce the possibility of damage to the clothing, care should be taken to sort the clothing into loads that are made up of similar items. Mixing different fabric types and/or soil levels can result in poor wash performance, color transfer or discoloration, fabric damage or linting. Fabrics should be sorted into groups as described below.

Colors

Sort articles by color. Wash dark clothes together in a separate load from light colors or whites. Mixing dark clothes with light clothes can result in dye transfer or discoloration of the lighter clothes.

Soil Level

Wash heavily soiled clothes together. Washing lightly soiled clothes in the same load with heavily soiled clothes could result in poor wash performance for the lightly soiled clothing.

Fabric Type

Delicate articles should not be mixed with heavier or sturdier fabric types. Washing delicates in a load with heavy fabrics can result in damage to the more delicate fabrics. Washing heavier fabrics in a delicate load can result in poor wash performance for the heavier fabrics and possible damage to the delicates.

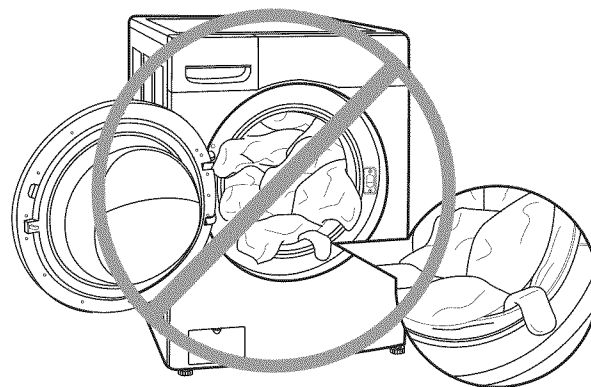
Lint Type

Some fabrics attract and bind lint to them while others give off lint in the laundry process. Avoid mixing these lint collectors and lint producers in the same load. Mixing these fabrics will result in pilling and linting on the lint collectors. (For example, lint collector - knit sweater; lint producer - terrycloth towels)

Loading the Washer

- **Check all pockets to make sure that they are empty.** Items such as clips, matches, pens, coins, and keys can damage both your washer and your clothes.
- Close zippers, hooks, and drawstrings to prevent these items from snagging or tangling on other clothes.
- Pretreat heavily stained areas for best results.
- Combine large and small items in a load. Load large items first.
- Large items should not be more than half of the total wash load.
- The washer can be fully loaded, but the drum should not be tightly packed with items. The door of the washer should close easily.
- To prevent an out-of-balance load, do not wash single items. Add one or two similar items to the load. Large, bulky items, such as a blanket, comforter, or bedspread, should be washed individually.
- Do not wash or spin waterproof items, such as rain coats, sleeping bags, etc.
- When unloading the washer, check under the door seal for small items.

NOTE: Make sure the door seal area is clear when closing the door. Overloading the washer can cause items to get caught between the door and the seal. This can damage both the items and the seal.



- **DO NOT OVERLOAD THE DRUM**
- **MAKE SURE CLOTHING IS NOT CAUGHT IN THE DOOR GASKET**

Sort Laundry...

by Colors	by Soil	by Fabric	by Lint
Whites	Heavy	Delicates	Lint producer
Lights	Normal	Easy care	Lint collector
Darks	Light	Sturdy	

HOW TO USE

ABOUT THE DISPENSER

Automatic dispenser

Your Washer has separate compartments for dispensing detergent and color-safe bleach, chlorine bleach, and fabric softener. Add all laundry additives to their respective compartments before starting your Washer.

CAUTION:


The automatic dispenser **MUST ALWAYS** be in place before starting your Washer.

DO NOT open the automatic dispenser when your washer is running.

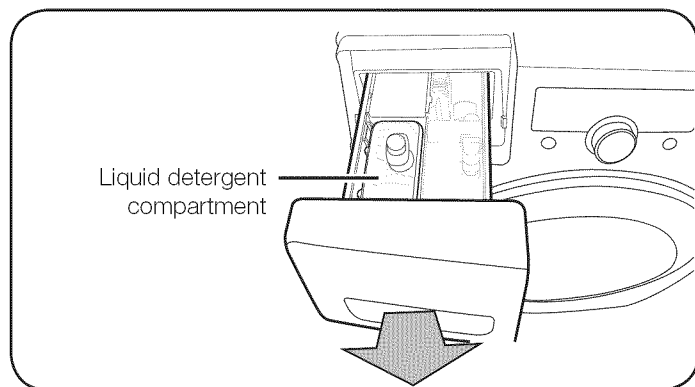
- Never exceed the manufacturer's recommendations when adding detergent.
- This compartment holds liquid detergent for the main wash cycle, which is added to the load at beginning of cycle.

NOTE: When using powdered detergent, remove the liquid detergent compartment from the detergent drawer. Powdered detergent will not be dispensed from the Liquid detergent compartment.

Detergent compartment

1. Pour the recommended amount of laundry  HE (High-Efficiency) detergent directly into the detergent compartment before starting your Washer.
2. If color-safe bleach is to be used, it should be added with detergent to the detergent compartment.

NOTE: When adding color-safe bleach with detergent, it is best if both laundry products are in the same form – powder or liquid.



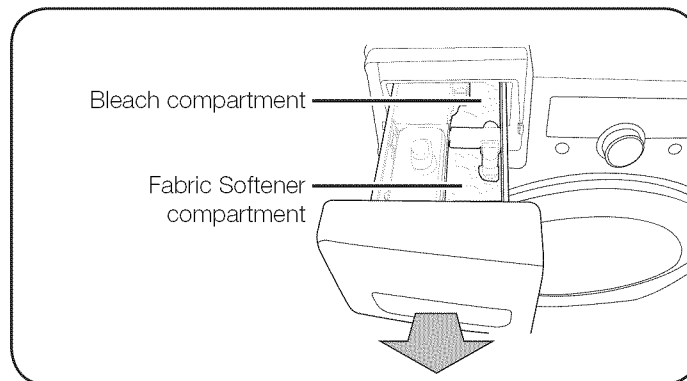
Bleach compartment

(Liquid chlorine bleach only)

1. Add chlorine bleach to the bleach compartment. DO NOT exceed the MAX FILL line.
2. Avoid splashing or over-filling the compartment.
3. Your Washer automatically dispenses bleach into the tub at the appropriate time.
4. The dispenser automatically dilutes liquid chlorine bleach before it reaches the wash load.

NOTE:

- Never pour undiluted liquid chlorine bleach directly onto the load or into the tub. It is a powerful chemical and can cause fabric damage, such as weakening of the fibers or color loss, if not used properly.
- If you prefer to use color-safe, non-chlorine bleach, add it to the appropriate detergent compartment. DO NOT pour color-safe bleach into the Bleach compartment.



Fabric softener compartment

1. Pour the recommended amount of liquid fabric softener into the softener compartment. For smaller loads, use less than one capful.
2. Dilute the fabric softener with water until it reaches MAX FILL in the compartment.
3. The dispenser automatically releases liquid fabric softener at the proper time during the rinse cycle.

NOTE:

- Use the softener compartment **ONLY** for liquid fabric softeners.
- Use the detergent Compartment.
- It is not recommended using liquid fabric softener that is too sticky as it may not mix with the water sufficiently.

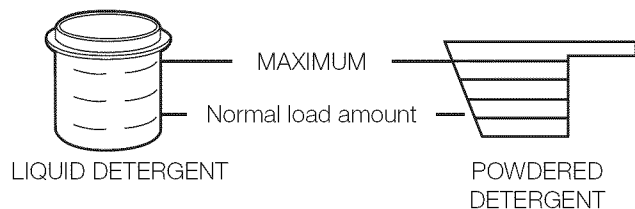
HOW TO USE

DETERGENT AND DISPENSER USE

A word about detergents

HE detergents produce fewer suds, dissolve more efficiently to improve washing and rinsing performance, and help to keep the interior of your washer clean.

Using non-HE detergent may cause oversudsing and unsatisfactory performance which could result in error codes, cycle failure, and machine damage.



For proper wash performance, always measure the detergent using the measure provided with the detergent by the manufacturer.

The normal amount needed for average loads is less than 1/2 of the recommended maximum. Use less detergent for soft water, light soil or smaller loads. Never use more than the maximum amount recommended by the detergent manufacturer.



Designed to use only HE (High-Efficiency) detergent

Your Washer is designed to use high efficiency (HE) detergents.

- For best cleaning results, efficiency detergents such as Tide HE, Wisk HE, Cheer HE or Gain HE*. High efficiency detergents contain suds suppressors that reduce or eliminate suds. When fewer suds are produced, the load tumbles more efficiently and cleaning is maximized.

WARNING: Regular detergent is NOT recommended. Please use only HE detergents.

NOTE: Reducing the amount of detergent may reduce the quality of cleaning. It is important to pre-treat stains, sort carefully by color and soil level, and avoid overloading.

* Brand names are trademarks of their respective manufacturers.

IMPORTANT: Not all detergents are the same. Careful attention must be paid to the amount of detergent used to avoid oversudsing, poor rinsing, detergent buildup in clothing, and residue buildup that can contribute to odors in the machine. NEVER use a cup or scoop other than that supplied by the manufacturer of the detergent you are using. Never use more than the maximum amount recommended by the manufacturer of the detergent.

While HE detergents are designed for this type of washing machine, care must be used when measuring the detergent. For most normal loads, no more than 1/2 to 3/4 of a cup or scoop of HE detergent should be used.

NOTE: Extra care must be exercised when using 2X and 3X concentrated detergents because even a little bit extra can contribute to the problems mentioned above.

NOTE: Detergents designated as HE-COMPATIBLE may not provide optimal results.

Filling the Dispenser

To add detergent, bleach, and fabric softener to the automatic dispenser:

1. Open the dispenser drawer.
2. Load the laundry products into the appropriate compartments.
3. Close the drawer before starting the cycle.

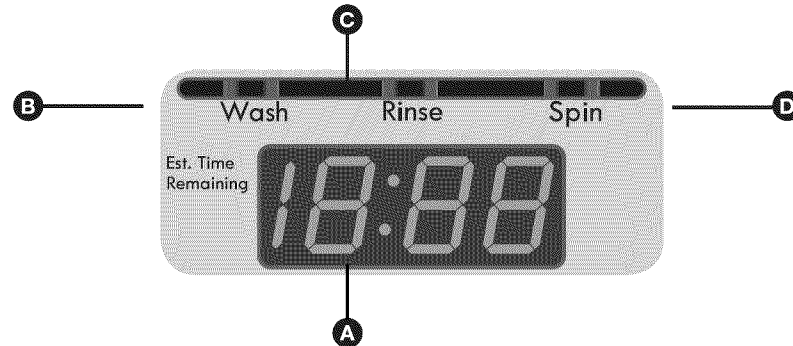
NOTE: It is normal for a small amount of water to remain in the bleach and softener compartments at the end of the cycle.

IMPORTANT: Do not place or store laundry products, such as detergent, bleach, or liquid fabric softener, on top of your washer or dryer. Wipe up any spills immediately. These products can damage the finish and controls.

HOW TO USE

TIME AND STATUS DISPLAY

The time and status display shows the estimated time remaining, cycle progress, and door lock status.



A. ESTIMATED TIME REMAINING

When the START/PAUSE is pressed, the washer automatically detects the wash load (weight) and optimizes the washing time, based on the selected cycle and options. The display will then indicate the estimated time remaining for the selected wash cycle.

NOTE:

- The time shown is estimated. For example, the time displayed may pause for a period of time while the machine is balancing the load. Under certain conditions, the machine can pause for extended periods of time.
- Estimated time is based on normal operating conditions. Several external factors (room temperature, incoming water temperature, etc.) also affect the length of estimated time vs. actual time.

B. LOAD-SENSING INDICATOR

This light will illuminate at the beginning of the cycle while the control measures the size of the load. Once the size has been determined, the control will adjust the cycle for optimum performance. Estimated time remaining will not be displayed until the load size has been determined and may be different for each load.

C. CYCLE STATUS INDICATOR

These status LEDs illuminate to indicate which portion of the cycle is currently running. A blinking light indicates the active portion of the cycle. When that portion is complete, the light will remain steady.

D. DOOR LOCK INDICATOR

Indicates that the door is locked. The washer door will lock while the washer is operating. The door can be unlocked by pressing the START/PAUSE to pause the washer.

NOTE:

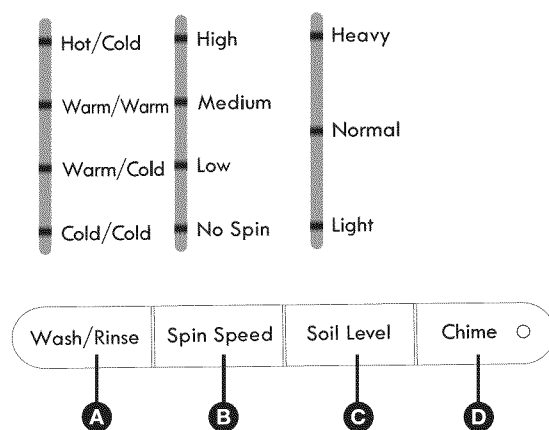
- If the temperature in the washer is too high, the door cannot be unlocked until the washer has cooled.
- If the water level is too high, the door will not unlock. To drain the water, press POWER, then press the SPIN SPEED button without selecting a cycle. Press START/PAUSE and the water will be drained and the clothes will be spun out. Do not try to force the door open, as it will damage the door.

HOW TO USE

CYCLE MODIFIER BUTTONS

Each cycle has default settings that are selected automatically. You may also customize these settings using the cycle modifier buttons. Press the button for the desired modifier until the indicator light for the desired value is lit.

The washer automatically adjusts the water level for the type and size of wash load for best results and maximum efficiency. Due to the high-efficiency nature of this product, water levels may be much lower than expected. This is normal operation and cleaning/rinsing performance will not be compromised.



A. WASH/RINSE

Selects the wash and rinse temperature combination for the selected cycle. Press the WASH/RINSE button until the indicator light for the desired setting is lit.

- Your washer features a heating element to boost the hot water temperature for Extra Hot settings. This provides improved wash performance at normal water heater settings.
- Select the water temperature suitable for the type of load you are washing. Follow the garment fabric care labels for best results.
- Warm rinses are regulated at approximately 86°F (30°C).
- Warm rinses leave the clothes drier than cold rinses, but will result in increased energy consumption and greater wrinkling of clothes.
- Cold rinses use less energy. The actual rinse temperature depends on the temperature of the cold water at the faucet.

NOTE: To protect your garments, not every wash/rinse temperature, spin speed, soil level, or option is available with every cycle. A different chime will sound and the LED will not come on if a selection is not allowed. See the Cycle Guide on page 14 for details.

B. SPIN SPEED

Higher Spin Speeds extract more water from clothes, reducing drying time and saving energy.

Press the SPIN SPEED button until the indicator light for the desired setting is lit. Some fabrics, such as delicates, require a slower spin speed.

The Drain & Spin cycle:

1. If you press the POWER button and then press and hold the SPIN button for 2 seconds, the spin time will be displayed on the display panel.
2. Then, press the SPIN button repeatedly until the required spin level is selected, and then press the START/PAUSE button.

NOTE: Before pressing the SPIN ONLY button to use the Spin Only function, you can select a cycle with the Cycle Selector. If you have selected a cycle, you can only select the spin level corresponding to the selected cycle.

C. SOIL LEVEL

Adjusts the selected cycle to allow more time for heavily soiled clothes or less time for lightly soiled clothes.

Press the SOIL LEVEL button until the indicator light for the desired setting is lit.

D. CHIME

Press the SIGNAL button to turn the signal on or off.

HOW TO USE

CYCLE OPTION BUTTONS

Your washing machine features several additional cycle options to customize cycles to meet your individual needs.

1. Turn on the washer and turn the cycle selector knob to select the desired cycle.
2. Use the cycle modifier buttons to adjust the settings for that cycle.
3. Press the cycle option button(s) for the option(s) you would like to add. The button will light when that option is selected. If the selected option is not allowed for the selected cycle, the chime will sound twice to inform you that it is not allowed.
4. Press the START/PAUSE button to start the cycle. The washer will start automatically after a brief delay for locking the door.

NOTE: To protect your garments, not every option is available with every cycle. See the CYCLE GUIDE on page 14 for details.

NOTE: If the START/PAUSE button is not pressed within 4 minutes, the control will shut off and the settings will be lost.

DELAY START



Delay Start

Once you have selected the cycle and other settings, press this button to delay the start of the wash cycle. Each press of the button increases the delay time by one hour, for up to 19 hours.

Once the desired delay time is set, press the START/PAUSE button to start the delay time.

SPECIAL FUNCTIONS

CONTROL LOCK



Control Lock

This function prevents children from playing with your washer.

Activating the Control Lock function

Press and hold the CONTROL LOCK button simultaneously for approximately 3 seconds.

- When you activate the Control Lock function, the door locks and the “Control Lock” lamp illuminates.
- If you press the START/PAUSE button after you have activated the Control Lock function, none of the buttons will work except for the POWER button.
- If you press a button when the buttons are locked, the “Control Lock” lamp blinks.

Pausing the Control Lock function

When the door is locked or the buttons are locked by the Control Lock function, you can pause the Control Lock operation for 1 minute by pressing and holding the CONTROL LOCK button simultaneously for approximately 3 seconds.

- If you pause the Control Lock mode temporarily, the door lock is released for 1 minute for user convenience. During this period, the “Control Lock” lamp blinks.
- If you open the door after the minute is over, an alarm sounds for up to 2 minutes.
- If you close the door within the 2 minutes, the door is locked and the Control Lock function is reactivated. If you close the door after the 2 minutes, the door is not locked automatically and no alarm sounds.

Deactivating the Control Lock function

Press and hold both the CONTROL LOCK button simultaneously for approximately 6 seconds.

- When you deactivate the Control Lock function, the door is unlocked and the “Control Lock” is turned off.

WARNING:

- The Control Lock function prevents children or the infirm from accidentally operating the washer and injuring themselves.
- If a child enters the washing machine, the child may become trapped and suffocate.

CAUTION:

- Once you have activated the Control Lock function, it continues working even if the power is turned off.
- Opening the door by force can result in injury due to damage to the product.

NOTE: To add laundry after you have activated the Control Lock function, you must first pause or deactivate the Control Lock function.

NOTE: If you want to open the door of the washing machine when the Control Lock function is activated:

- Pause or deactivate the Control Lock function.
- Turn the washing machine off and then on again.

HOW TO USE

SPECIAL FUNCTIONS (CONT.)

CLEAN WASHER



Clean Washer

A buildup of detergent residue can occur in the wash tub over time and can lead to a mildewy or musty smell. The CLEAN WASHER cycle is specially designed to remove this buildup using bleach or other cleaners designed specifically for cleaning front load washers.

The CLEAN WASHER cycle should be run once a month, or more often under heavy use conditions or if odor is present.

1. Turn ON the washer and press the CLEAN WASHER button. Selecting any other cycle after CLEAN WASHER has been selected will cause the CLEAN WASHER cycle to be cancelled.
2. Fill the bleach dispenser to the MAX line with liquid chlorine bleach. Do not overfill the bleach dispenser. Overfilling will cause the bleach to be dispensed immediately.
3. Press the START/PAUSE to start the cycle.
4. After the cycle has ended, open the door and allow the drum interior to dry completely.

NOTE: Do NOT use this cycle with clothes, and do NOT add detergent or fabric softener.

* For powdered tub cleaners, add the cleaner to the main wash compartment of the dispenser drawer. Place tablet cleaners directly into the tub. Always follow the cleaner manufacturers instructions and recommendations.

MY CYCLE



My Cycle

Allows you to activate your custom wash (temperature, spin, soil level, etc.) with one-button convenience.

By pushing the MY CYCLE button, you activate the settings used during the My Cycle mode. The

“My Cycle” light indicates activation.

You can select all options as follows in the My Cycle mode.

1. Select cycles using the Cycle Selector.
2. After cycle selection, set each option.
3. Then, you can store the cycle and options you select by pressing the START/PAUSE button in the My Cycle mode. The cycle and options you select are displayed the next time you choose the My Cycle function.

NOTE:

- You can change the My Cycle settings by repeating the process above. The last used setting is displayed the next time you choose the My Cycle function.
- If washing is completed in My Cycle mode, the washing machine automatically enters My Cycle mode when you turn the power on by pressing the POWER button.

CARE AND CLEANING

⚠ WARNING: TO reduce the risk of fire, electric shock, or injury to persons, read and follow this entire manual, including the Important Safety Instructions, before operating this washer.

- Unplug the washer before cleaning to avoid the risk of electric shock. Failure to follow this warning can cause serious injury, fire, electrical shock, or death.
- Never use harsh chemicals, abrasive cleaners, or solvents to clean the washer. They will damage the finish.

REGULAR CLEANING

Cleaning the exterior

Turn off the water faucets after finishing the day's washing.

This will shut off the water supply to your Washer and prevent the unlikely possibility of damage from escaping water. Leave the door open to allow the inside of your Washer to dry out. Use a soft cloth to wipe up all detergent, bleach, or other spills as they occur.

Clean the following as recommended:

Control Panel – Clean with a soft, damp cloth. Do not use abrasive powders or cleaning pads. Do not spray cleaners directly on the panel.

Cabinet – Clean with soap and water.

Cleaning the interior

Clean the interior of your Washer periodically to remove any dirt, soil, odor, mold, mildew, or bacterial residue that may remain in your Washer as a result of washing clothes.

Failure to follow these instructions may result in unpleasant conditions, including odors and/or permanent stains on your Washer or laundry.

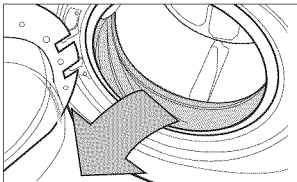
Hard water deposits may be removed, if needed. Use a cleaner labeled "Washer safe".

Read these instructions carefully before beginning the CLEAN WASHER cycle.

1. Open the door and remove any clothing in the wash drum.
2. Open the dispenser drawer. Add liquid chlorine bleach or tub cleaner.
Some powder or tablet tub cleaners which are manufactured for this purpose can be used.
(NOTE: Do not add any laundry detergent or fabric softener to the drawer when using CLEAN WASHER.)
 - If using liquid chlorine bleach
Add liquid chlorine bleach to the bleach compartment of the drawer. (NOTE: Do not exceed the maximum fill line and do not pour undiluted liquid bleach directly into the wash drum.)
 - If using powder cleaner
Remove the liquid detergent cup and add powder cleaner to the main wash compartment of the dispenser drawer.
 - If using tablet cleaner
Add tablet cleaner to the wash drum directly. (NOTE: Do not add tablet cleaner to the dispenser drawer.)
3. Close the drawer and washer door.
4. Select CLEAN WASHER and press START.

NOTE: It is recommended that CLEAN WASHER should be repeated monthly. If mildew or musty smell already exists, run CLEAN WASHER for 3 consecutive weeks. After CLEAN WASHER is complete or when the washer is not used, leave the washer door open for better ventilation and drying inside of the washer.

Cleaning the door seal

1. Open the washer door and remove any clothing or items from the washer.
2. Inspect the gray colored seal/bellow between the door opening and the basket for stained areas. Pull back the seal/bellow to inspect all areas under the seal/bellow and to check for foreign objects.
3. If stained areas are found, wipe down these areas of the seal/bellow, using the procedure that follows.
 - a) Mix a dilute solution containing ¾ cup (177 mL) of liquid chlorine bleach and 1 gal. (3.8 L) of warm tap water.
 - b) Wipe the seal/bellow area with the dilute solution using a damp cloth.
 - c) Let stand 5 minutes.
 - d) Wipe down area thoroughly with a dry cloth and let the washer interior air dry with the door open.

IMPORTANT:

- Wear rubber gloves when cleaning for prolonged periods.
- Refer to the bleach manufacturer's instructions for proper use.

Storing your washer

Washers can be damaged if water is not removed from hoses and internal components before storage.

Prepare your washer for storage as follows:

- Select the Quick Wash cycle and add bleach to the automatic dispenser. Run your washer through the cycle without a load.
- Turn the water faucets off and disconnect the inlet hoses.
- Unplug your washer from the electrical outlet and leave your washer door open to let air circulate inside the tumbler.
- If your washer has been stored in below-freezing temperatures, allow time for any leftover water in your washer to thaw out before use.

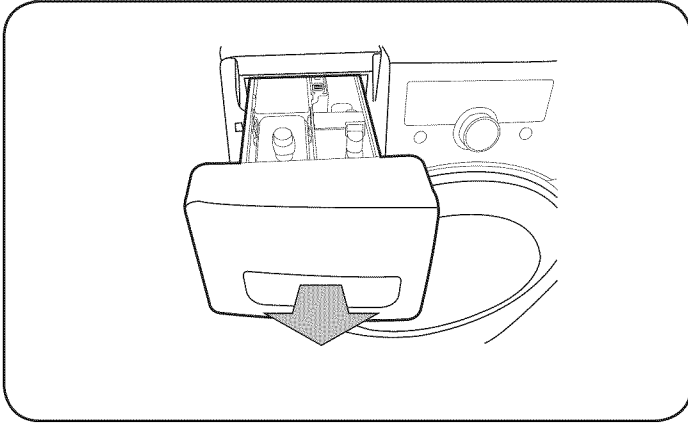
CARE AND CLEANING

REGULAR CLEANING (CONT.)

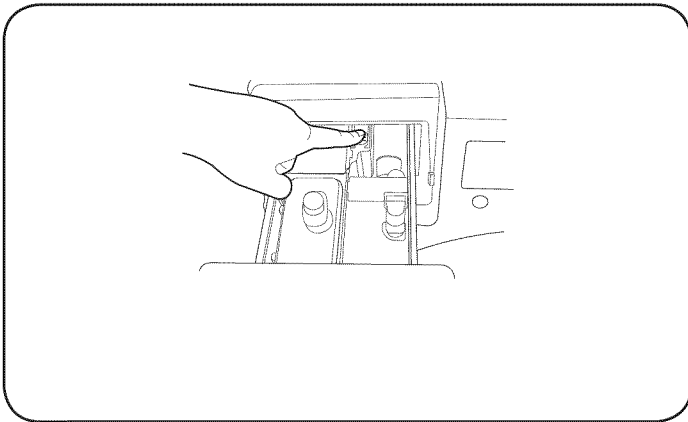
Cleaning the dispenser

The Automatic Dispenser may need to be cleaned periodically due to laundry additive buildup.

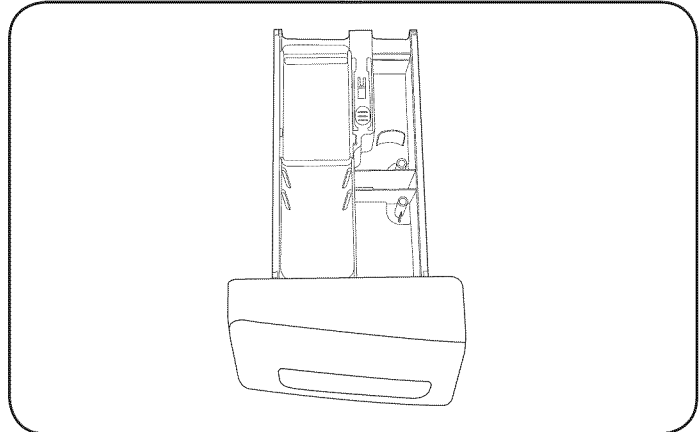
1. Pull out the detergent liquid holder from the detergent compartment.



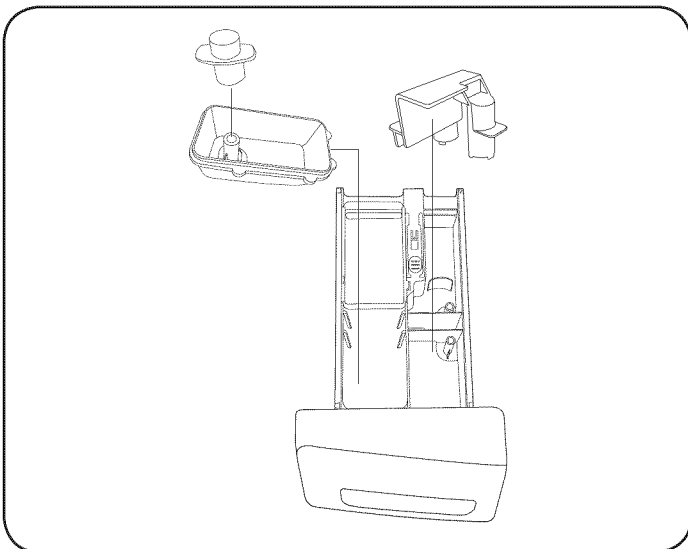
2. Remove the Siphon Cap from the fabric softener and bleach compartments.



3. Wash all of the parts under running water.
4. Clean the dispenser recess with a soft brush.



5. Reinsert the Siphon Cap, and push it firmly into place.
6. Push the dispenser back into place.
7. Run a Rinse and Spin cycle without any load in your Washer.



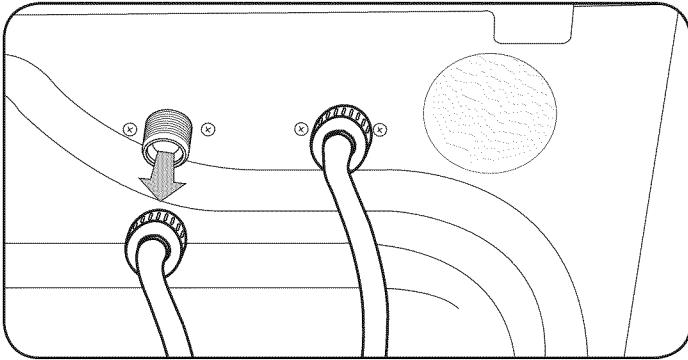
CARE AND CLEANING

MAINTENANCE

Cleaning the water inlet filters

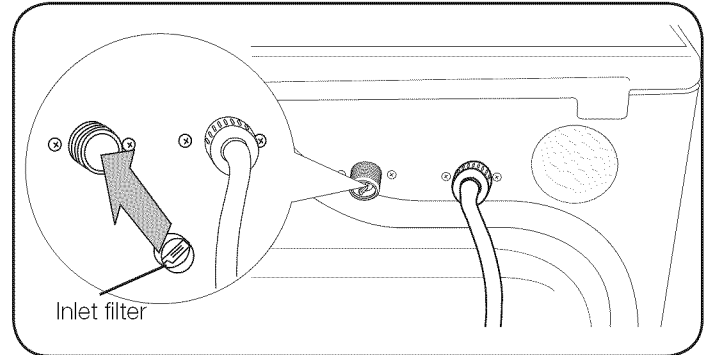
If the washer detects that water is not entering the dispenser, an error message will show on the display. Inlet valve filter screens could be plugged by hard water scale, sediment in the water supply, plumbing scale, etc.

NOTE: The inlet screens protect the delicate parts of the fill valve from being damaged by particles that may get into the valves with the water supply. Operating the washer with the filters removed could cause a valve fail to open resulting in flooding and/or property damage.



1. Turn OFF both water taps completely. Unscrew the hot and cold water lines from the back of the washer.

IMPORTANT: Use ONLY the inlet hoses provided with this laundry product. Aftermarket hoses are not guaranteed to fit or function correctly. Other hoses may not tighten correctly and could cause leaks. Subsequent damage to product or property will not be covered under the terms of the product warranty.



2. Carefully remove the filters from the water valves and soak them in white vinegar or a time scale remover, following the manufacturer's instructions. Rinse thoroughly before reinstalling. Press the filters back into place and reattach the water lines.

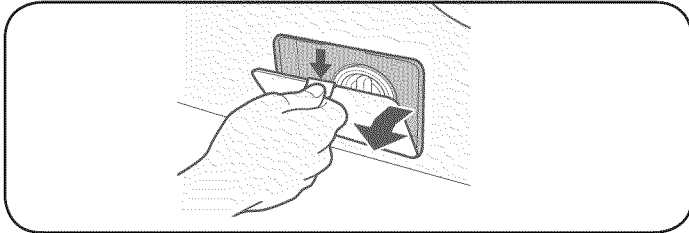
CARE AND CLEANING

MAINTENANCE (CONT.)

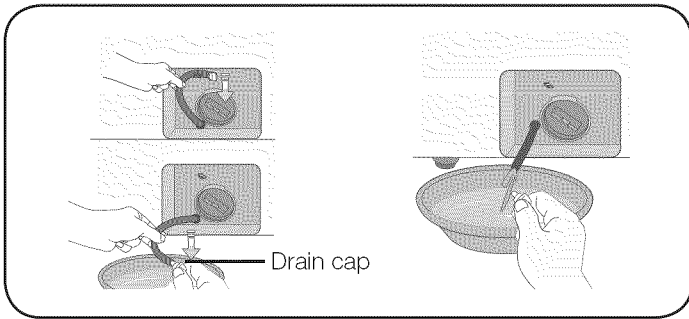
Cleaning the debris filter

We recommend cleaning the debris filter when water does not drain well or the “nd” error message is displayed.

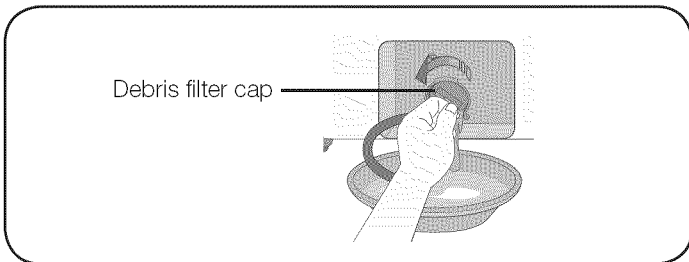
1. Open the filter cover by pressing and pulling the handle of the filter cover with your finger.



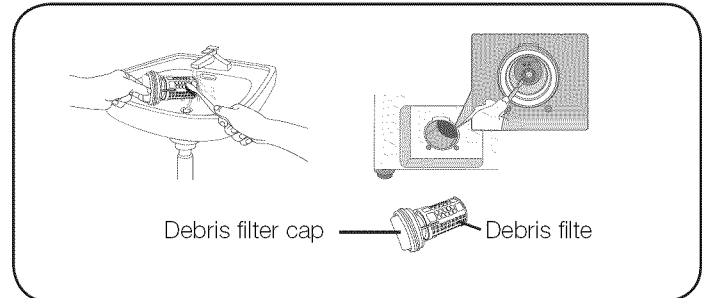
2. Holding the drain cap, pull the drain tube that is hooked on the guide hook to the front. Do not pull the drain tube with excessive force.
3. Place a bowl under the washing machine to catch any remaining water. Then, hold the drain tube with one hand, and turn the emergency drain cap counter clockwise with the other hand to separate it from the drain tube.
4. Drain the remaining water completely.



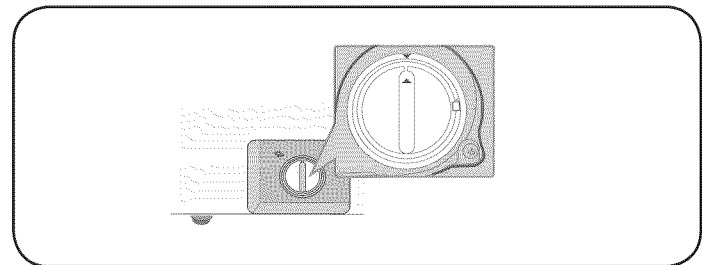
5. Pull out the debris cap and debris filter assembly.



6. Wash any dirt or other material from the debris filter. Make sure the drain pump propeller behind the debris filter is not blocked.



7. When you have finished cleaning the filter, insert the debris cap and filter assembly back into the washer. Turn the debris filter cap clockwise until the indicator on the debris filter cap is in the 12 o'clock position, pointing to the indicator on the washer.



8. Re-attach the emergency drain cap to the drain tube, and then hook the tube to the hook guide.

9. Re-install the filter cover.

TROUBLESHOOTING GUIDE

NORMAL SOUNDS YOU MAY HEAR

The following sounds may be heard while the washer is operating. They are normal.

Clicking:

Door lock relay when the door locks and unlocks.

Spraying or hissing:

Water spraying or circulating during the cycle.

Winding up:

Drum spinning for balancing routine at the spin-dry cycle.

Humming or gurgling:

Drain pump pumping water from the washer at the end of a cycle.

Splashing:

Clothes tumbling in the drum during the wash and rinse cycles.

BEFORE CALLING FOR SERVICE

Your washing machine is equipped with an automatic error-monitoring system to detect and diagnose problems at an early stage. If your washer does not function properly or does not function at all, check the following before you call for service.

PROBLEM	SOLUTION
will not start..	<ul style="list-style-type: none"> • Make sure the door is firmly closed. • Make sure your Washer is plugged in. • Make sure the water source faucets are open. • Make sure to press the Start/Pause Button to start your Washer. • Make sure the Child Lock is not activated. See page 14. • Before your Washer starts to fill, it will make a series of clicking noises to check the door lock and do a quick drain. • Check the fuse or reset the circuit breaker
has no water or not enough water..	<ul style="list-style-type: none"> • Turn both faucets on fully. • Make sure the door is tightly closed. • Straighten the water inlet hoses. • Disconnect hoses and clean screens. Hose filter screens may be plugged. • Open and close the door, then press the Start/Pause Button.
detergent remains in the automatic dispenser after the wash cycle is complete.	<ul style="list-style-type: none"> • Make sure your Washer is running with sufficient water pressure. • Make sure the Detergent Selector dial is in the upper position when using granular detergent.
vibrates or is too noisy.	<ul style="list-style-type: none"> • Make sure your Washer is set on a level surface. If the surface is not level, adjust your Washer feet to level the appliance. • Make sure that the shipping bolts are removed. • Make sure your Washer is not touching any other object. • Make sure the laundry load is balanced.
stops	<ul style="list-style-type: none"> • Plug the power cord into a live electrical outlet. • Check the fuse or reset the circuit breaker. • Close the door and press the Start/Pause Button to start your Washer. • For your safety, your Washer will not tumble or spin unless the door is closed. • Before your Washer starts to fill, it will make a series of clicking noises to check the door lock and do a quick drain. • There may be a pause or soak period in the cycle. Wait briefly and it may start. • Check the screens on the inlet hoses at the faucets for obstructions. Clean the screens periodically.

TROUBLESHOOTING GUIDE

BEFORE CALLING FOR SERVICE (CONT.)

PROBLEM	SOLUTION
fills with the wrong temperature water.	<ul style="list-style-type: none"> • Turn both faucets on fully. • Make sure the temperature selection is correct. • Make sure the hoses are connected to the correct faucets. Flush water lines. • Check the water heater. It should be set to deliver a minimum 120° F (49° C) hot water at the tap. Also check the water heater capacity and recovery rate. • Disconnect the hoses and clean the screens. The hose filter screens may be plugged. • As your Washer is filling, the water temperature may change as the automatic temperature control feature checks incoming water temperature. This is normal. • While your Washer is filling, you may notice just hot and/or just cold water going through the dispenser when cold or warm wash temperatures are selected. This is a normal function of the automatic temperature control feature as your Washer determines the temperature of the water.
door locked or will not open.	<ul style="list-style-type: none"> • Press the Start/Pause Button to stop your Washer. • Your Washer door will remain locked during the heating portion of the Sanitize Cycle • It may take a few moments for the door lock mechanism to disengage.
does not drain and/or spin.	<ul style="list-style-type: none"> • Check the fuse or reset the circuit breaker. • Straighten the drain hoses. Eliminate kinked hoses. If there is a drain restriction, call for service. • Close the door and press the Start/Pause Button. For your safety, your Washer will not tumble or spin unless the door is closed. • Make sure the debris filter is not clogged.
load is too wet at the end of the cycle.	<ul style="list-style-type: none"> • Use the High or Extra High spin speed. • Use high efficiency detergent to reduce over-sudsing. • Load is too small. Very small loads (one or two items) may become unbalanced and not spin out completely.
leaks water.	<ul style="list-style-type: none"> • Make sure the door is firmly closed. • Make sure all hose connections are tight. • Make sure the end of the drain hose is correctly inserted and secured to the drainage system. • Avoid overloading. • Use high efficiency detergent to prevent over-sudsing.
has excessive suds.	<ul style="list-style-type: none"> • Use high efficiency detergent to prevent over-sudsing. • Reduce the detergent amount for soft water, small or lightly soiled loads. • Non-HE detergent is NOT recommended.

Information codes

CODE SYMBOL	MEANING	SOLUTION
SUD	<p>Too many suds are detected during the washing session.</p> <p>The unit is put on hold until the suds are reduced. Then, the unit will go back to the operation.</p> <p>When it finishes washing, End and Sd codes will blink in turn.</p>	<p>Run a Clean Washer cycle.</p> <p>To prevent, reduce the amount of detergent.</p>
dc	Unbalanced load prevented your Washer from spinning.	Redistribute the load, press the Start/Pause Button.
ds	Door is open when Washer is running.	<p>Close the door tightly and restart the cycle.</p> <p>If the code reappears, call for service.</p>
FL	Your Washer failed to lock the door.	<p>Close the door tightly and restart the cycle.</p> <p>If the code reappears, call for service.</p>

TROUBLESHOOTING GUIDE

BEFORE CALLING FOR SERVICE (CONT.)

Hi-	Water temperature control problem. (Heater Control problem)	Call for service.
LE	Your Washer has tried to fill but has not reached the proper water level.	Call for service.
LO	The door will not unlock.	Make sure the door is firmly closed. Push the Power button to turn off your Washer, then turn it on again. If the code reappears, call for service.
E3	Motor not running properly.	Restart the cycle pressing the Start/Pause Button. If the code reappears, call for service.
nd	Your washer is not draining. It can also mean that the unit senses a small clog while draining.	Before calling for service, check the following. 1. Turn off the unit and turn it on again. 2. Select only the Spin Cycle. 3. Press the Start/Pause to drain the water. 4. Clean the debris filter. If it still does not drain, call for service.
nF	Your Washer has tried to fill but was unsuccessful.	Make sure the water faucets are open all the way. Check for kinked hoses. Check the inlet screens on the fill hoses.
	Check if the hot water supply hose is connected.	You must connect the hot water supply hose because hot water is supplied by the Auto Temperature Control (A.T.C.) function if the temperature of the cold water is lower than 59°F.
nFl	The hot/cold water hose connection is not correct.	Please connect the hot/cold water hose connection correctly.
PF	Electric service was lost when Washer was running.	Restart the cycle by pressing the Start/Pause Button.
OE	A fault is detected in the water level sensor.	Call for service
E2	Jammed Key.	Call for service
bE	Motor speed sensor problem.	Restart the cycle. If the code reappears, call for service.
tE	Temperature sensor problem.	Restart the cycle. If the code reappears, call for service.
3E	High current detected.	Restart the cycle. If the code reappears, call for service.
2E	High/Low voltage detected.	Restart the cycle. Call an electrician to check for electrical issues within the home before calling service. If the code reappears, call for service.

WARRANTY

Kenmore Limited Warranty

When installed, operated and maintained according to all instructions supplied with the product, if this appliance fails due to a defect in material and workmanship within one year from the date of purchase, call 1-800-4-MY-HOME® to arrange for free repair.

If this appliance is ever used for other than private family purposes, this warranty applies for only 90 days from the date of purchase.

This warranty covers only defects in material and workmanship. Sears will NOT pay for:

1. Expendable items that can wear out from normal use, including but not limited to filters, belts, light bulbs, and bags.
2. A service technician to instruct the user in correct product installation, operation or maintenance.
3. A service technician to clean or maintain this product.
4. Damage to or failure of this product if it is not installed, operated or maintained according to the all instructions supplied with the product.
5. Damage to or failure of this product resulting from accident, abuse, misuse or use for other than its intended purpose.
6. Damage to or failure of this product caused by the use of detergents, cleaners, chemicals or utensils other than those recommended in all instructions supplied with the product.
7. Damage to or failure of parts or systems resulting from unauthorized modifications made to this product.

Disclaimer of implied warranties; limitation of remedies

Customer's sole and exclusive remedy under this limited warranty shall be product repair as provided herein. Implied warranties, including warranties of merchantability or fitness for a particular purpose, are limited to one year or the shortest period allowed by law. Sears shall not be liable for incidental or consequential damages. Some states and provinces do not allow the exclusion or limitation of incidental or consequential damages, or limitation on the duration of implied warranties of merchantability or fitness, so these exclusions or limitations may not apply to you.

This warranty applies only while this appliance is used in the United States or Canada.

This warranty gives you specific legal rights, and you may also have other rights which vary from state to state.

Sears Brands Management Corporation, Hoffman Estates, IL 60179

Sears Canada Inc., Toronto, Ontario, Canada M5B 2B8

NOTE

Get it fixed, at your home or ours!

Your Home

For troubleshooting, product manuals and home solutions advice:



www.managemylife.com

For repair – **in your home** – of **all** major brand appliances, lawn and garden equipment, or heating and cooling systems, **no matter who made it, no matter who sold it!**

For the replacement parts, accessories and owner's manuals that you need to do-it-yourself.

For Sears professional installation of home appliances and items like garage door openers and water heaters.

1-800-4-MY-HOME® (1-800-469-4663)

Call anytime, day or night (U.S.A. and Canada)

www.sears.com www.sears.ca

Our Home

For repair of carry-in items like vacuums, lawn equipment, and electronics, call anytime for the location of your nearest

Sears Parts & Repair Service Center

1-800-488-1222 (U.S.A.)

www.sears.com

1-800-469-4663 (Canada)

www.sears.ca

To purchase a protection agreement on a product serviced by Sears:

1-800-827-6655 (U.S.A.)

1-800-361-6665 (Canada)

Para pedir servicio de reparación a domicilio, y para ordenar piezas:

1-888-SU-HOGAR®

(1-888-784-6427)

www.sears.com

Au Canada pour service en français:

1-800-LE-FOYER^{MC}

(1-800-533-6937)

www.sears.ca

Sears

® Registered Trademark / ™ Trademark of KCD IP, LLC in the United States, or Sears Brands, LLC in other countries

® Marca Registrada / ™ Marca de Fábrica de KCD IP, LLC en Estados Unidos, o Sears Brands, LLC in otros países

^{MC} Marque de commerce / ^{MD} Marque déposée de Sears Brands, LLC

Use & Care Guide
Manual de Uso y Cuidado
English / Español



For best results, a low-sudsing, HE- High Efficiency Detergent made for front loading washers must be used.



Para obtener mejores resultados, una baja espuma, H.E. Alta eficiencia de detergentes para lavadoras de carga hizo frente debe ser utilizado.

Models/Modelos: 402.4903*

Kenmore

Front Load Washer

Lavador de Carga Frontal

* = color number, numero de color

P/N 134779000B (0807)
Sears Brands Management
Corporation, Hoffman Estates,
IL 60179 USA
www.sears.com



Code No. : DC68-02855A-02

ÍNDICE

MENSAJES DE SEGURIDAD

INSTRUCCIONES DE SEGURIDAD IMPORTANTES

REQUISITOS DE LA CONEXIÓN A TIERRA

CARACTERÍSTICAS Y FUNCIONES

Piezas y componentes claves	6
-----------------------------	---

REQUISITOS DE LA INSTALACIÓN

Dimensiones y especificaciones claves	7
Elija una ubicación adecuada	7
Piso	7
Espacios libres	7

INSTRUCCIONES DE INSTALACIÓN

Desembalaje y remoción de los tornillos de transporte	8
Conexión de las mangueras de agua	8
Conexión de la manguera de drenaje	9
Conexión del suministro eléctrico	10
Nivelado de la lavadora	10

CÓMO UTILIZAR

Funciones del panel de control	11
Funcionamiento de la lavadora	12
Guía de ciclos	13
Clasificación de las cargas de lavado	14
Acercas del dosificador	15
Detergente y uso del dosificador	16
Display de tiempo y estado	17
Botones modificadores de ciclos	18
Botones de opciones de los ciclos	19
DELAY START (INICIO RETARDADO)	19
Funciones especiales	19
CONTROL LOCK (BLOQUEO CONTROLES)	19
CLEAN WASHER (LIMPIAR LAVADORA)	20
MY CYCLE (MI CICLO)	20

CUIDADO Y LIMPIEZA

Limpieza periódica	21
Limpieza del exterior	21
Limpieza del interior	21
Limpieza del sello de la puerta	21
Cómo guardar la lavadora	21
Limpieza del dosificador	22
Mantenimiento	23
Limpieza de los filtros de entrada de agua	23
Limpieza del filtro de residuos	24

GUÍA DE SOLUCIÓN DE PROBLEMAS

Sonidos normales	25
Antes de comunicarse con el servicio técnico	25

REGISTRO DEL PRODUCTO

En este espacio, registre la fecha de la compra, el modelo y el número de serie de su producto. Encontrará el modelo y el número de serie impresos en la placa de identificación del interior de la puerta de la lavadora. Tenga esta información disponible cuando contacte con Sears en relación con su producto.

Nº de modelo _____

Fecha de compra _____

Nº de serie _____

Guarde estas instrucciones y el recibo de la venta para consultas futuras.

ACUERDOS SOBRE LA PROTECCIÓN

Acuerdos principales de protección

Enhorabuena por realizar una compra inteligente. Su nuevo producto Kenmore® está diseñado y fabricado para años de un uso fiable. Pero como todos los productos, puede requerir un mantenimiento preventivo o alguna reparación periódica. Si tiene un Acuerdo principal de protección podrá ahorrarse dinero y molestias.

El Acuerdo principal de protección también ayuda a ampliar la vida útil de su nuevo producto. El Acuerdo* incluye:

- **Las piezas y la mano de obra** necesarias para mantener el correcto funcionamiento de los productos **con un uso normal**, no sólo los defectos. Nuestra cobertura **va mucho más allá de la garantía del producto**. Se excluyen de la cobertura las fallas no deducibles, no funcionales - **protección real**.
- **Servicio experto** por un equipo de más de 10.000 **técnicos de servicio de Sears** autorizados, lo que significa que su producto estará en buenas manos.
- **No hay límite en las llamadas de servicio y éste incluye toda la nación**, tantas veces como desee, siempre que nos necesite.
- **Garantía para elementos defectuosos** - Se cubre el reemplazo del producto si se producen cuatro o más fallas del producto en un periodo de 12 meses.
- **Reemplazo del producto** si éste no se puede reparar.
- **Comprobación de mantenimiento preventivo anual** a solicitud del usuario sin cargos extras.
- **Ayuda rápida por teléfono** - Lo llamamos **Resolución rápida**. Ayuda telefónica de un representante de Sears para todos los productos. Somos como un "manual del usuario con voz".
- **Protección de sobrecargas de energía** contra daños derivados de las fluctuaciones eléctricas.
- **Protección anual de 250 \$ por alimentos** que se hayan descompuesto debido a una falla mecánica de un refrigerador o un congelador cubiertos por el acuerdo.
- **Reembolso por alquiler** si la reparación del producto cubierto tarda más tiempo del prometido.
- **Descuento del 10%** del precio normal de cualquier servicio de reparación no cubierto y de las piezas relacionadas.

Una vez adquirido el Acuerdo, basta con una simple llamada telefónica para obtener el servicio planificado. Puede llamar en cualquier momento de día o de noche o programar un servicio en línea.

El Acuerdo principal de protección es una adquisición sin riesgo. Si lo cancela por cualquier razón durante el periodo de garantía del producto, se lo reembolsaremos completamente; si el periodo de garantía ha expirado el reembolso será prorrateado. ¡Contrate hoy su Acuerdo principal de protección!

Se aplican algunas limitaciones y exclusiones.

Para obtener información adicional y sobre los precios en Estados Unidos, llame a 1-800-827-6655.

***En Canadá la cobertura de algunos elementos varía. Para obtener una información completa llame a Sears Canada al número 1-800-361-6665.**

Sears Installation Service

Para la instalación profesional por parte de Sears de electrodomésticos, controles de puertas de garajes, calentadores de agua y otros productos del hogar, en Estados Unidos o Canadá, llame a

1-800-4-MY-HOME®.

MENSAJES DE SEGURIDAD

Le hemos proporcionado mensajes de seguridad importantes en este manual y en su electrodoméstico. Léalos y sígalos siempre.



Este es el símbolo de alerta de seguridad.

Avisa de riesgos potenciales que pueden causar daños a la propiedad, lesiones corporales graves o la muerte.

Todos los mensajes de seguridad siguen al símbolo de alerta de seguridad y a las palabras PELIGRO o ADVERTENCIA. Estas palabras significan:

 **PELIGRO**

El incumplimiento de estas instrucciones de seguridad puede causar daños a la propiedad, lesiones corporales graves o la muerte.

 **ADVERTENCIA**

El incumplimiento de estas instrucciones de seguridad puede causar daños a la propiedad, lesiones corporales graves o la muerte.

Todos los mensajes de seguridad advierten de cuál es el peligro potencial, aconsejan sobre la manera de reducir el riesgo de lesiones y avisan de lo que puede ocurrir si no se siguen las instrucciones.

INSTRUCCIONES DE SEGURIDAD IMPORTANTES

ADVERTENCIA

Para reducir el riesgo de incendio, descargas eléctricas o lesiones físicas cuando usa este electrodoméstico, siga las instrucciones de seguridad básicas que figuran a continuación.

- Antes de utilizar la lavadora, debe estar adecuadamente instalada como se explica en este manual.
- No lave prendas que han sido previamente limpiadas, lavadas, remojadas o salpicadas con gasolina, solventes de limpieza en seco u otras sustancias inflamables o explosivas, ya que emiten vapores que pueden prenderse fuego o explotar.
- No agregue gasolina, solventes de limpieza en seco u otras sustancias inflamables o explosivas al agua del lavado. Estas sustancias emiten vapores que se pueden prender fuego o explotar.
- En ciertas circunstancias, se puede producir gas hidrógeno en un sistema de agua caliente que no se ha usado durante 2 semanas o más. EL GAS HIDRÓGENO ES EXPLOSIVO.
- Si el sistema de agua caliente no fue utilizado durante dicho período, antes de usar la lavadora abra las llaves de agua caliente y deje correr el agua por varios minutos. De esta manera, se eliminará el gas hidrógeno acumulado. Dado que el gas es inflamable, no fume ni use una llama abierta en ese momento.
- No permita que los niños jueguen sobre la lavadora o dentro de ella. Se requiere de supervisión cuando la lavadora es utilizada cerca de los niños.
- Antes de descartar la lavadora o de trasladarla para que se le efectúe el servicio técnico, retire la puerta para impedir que los niños queden atrapados dentro.
- No instale o guarde esta lavadora donde quede expuesta a los factores climáticos o a temperaturas de congelación.
- No modifique los controles.
- No repare ni reemplace ninguna parte de la lavadora, ni intente efectuar ningún servicio técnico salvo los recomendados específicamente en este manual. Recomendamos firmemente que los servicios técnicos los realice el personal calificado.
- Consulte las instrucciones de instalación para efectuar la conexión a tierra.
- Siga SIEMPRE las instrucciones de la etiqueta de indicaciones suministrada por el fabricante de la prenda.
- No coloque elementos expuestos a aceites de cocina en la lavadora. Los elementos contaminados con aceites de cocina pueden contribuir a que se produzca una reacción química que ocasione que en la carga de ropa se prenda fuego.
- Utilice sólo los suavizantes de ropa o los productos para eliminar la estática recomendados por el fabricante.
- Esta lavadora no está diseñada para uso marítimo ni en instalaciones móviles como vehículos recreativos, aviones, etc.
- Cierre los grifos del agua y desenchufe la lavadora, si va a estar desatendida durante mucho tiempo, por ejemplo, durante las vacaciones.
- Los materiales de embalaje pueden ser peligrosos para los niños.
- Existe riesgo de asfixia. Mantenga los materiales del embalaje fuera del alcance de los niños.
- Compruebe siempre que no haya objetos extraños dentro de la lavadora antes de cargar la colada. Mantenga la puerta cerrada cuando no utilice la lavadora.

INSTRUCCIONES DE SEGURIDAD IMPORTANTES

ADVERTENCIA

Para reducir el riesgo de incendio, descargas eléctricas o lesiones físicas cuando usa este electrodoméstico, siga las instrucciones de seguridad básicas que figuran a continuación.

- **Desenchufe la lavadora antes de la limpieza** para evitar el riesgo de descargas eléctricas.
- **Nunca utilice productos químicos fuertes, limpiadores abrasivos ni disolventes para limpiar la lavadora.** Podría dañar el acabado.
- **No ponga toallas ni ropas sucias de aceites o grasas encima de la lavadora.** Estas sustancias emiten vapores que pueden prender fuego en los materiales.
- **No lave prendas que tengan manchas de aceite vegetal o aceite de cocina.** Dichas prendas pueden tener vestigios de aceite después del lavado y se pueden prender.
- **Desconecte este electrodoméstico de la fuente de suministro eléctrico antes de intentar realizar alguna tarea de mantenimiento. Colocar los controles en la posición de**

apagado no desconecta el electrodoméstico de la fuente de suministro eléctrico. Si no sigue estas advertencias se pueden producir lesiones personales graves, un incendio, una descarga eléctrica o la muerte.

- **No combine detergentes, suavizantes de telas ni otros productos de lavado de diferentes fabricantes para lavar una carga a menos que se especifique en la etiqueta.**
- **No mezcle lejía que contenga cloro, amoníaco o ácidos, como vinagre. Siga las indicaciones del envase cuando utilice productos para el lavado.** El uso incorrecto puede producir gases venenosos con resultado de lesiones graves o muerte.
- **No introduzca la mano en la lavadora cuando algunas partes estén en movimiento. Antes de cargar, descargar o agregar prendas presione el dial del selector de ciclos y deje que el tambor de detenga completamente.** Si no sigue estas advertencias se pueden producir lesiones personales graves, un incendio, una descarga eléctrica o la muerte.

ADVERTENCIA

- **Consulte las INSTRUCCIONES DE INSTALACIÓN para conocer los procedimientos detallados de conexión a tierra.** Las instrucciones de instalación se proporcionan con la lavadora para que el instalador las pueda consultar. Si la lavadora se ha de mover a una nueva ubicación, la ha de comprobar y volver a instalar personal de servicio calificado. Si no sigue estas advertencias se pueden producir lesiones personales graves, un incendio, una descarga eléctrica o la muerte.
- **Bajo ninguna circunstancia se debe cortar ni retirar el tercer pin (conexión a tierra) del cable de alimentación.** Si no sigue estas advertencias se pueden producir lesiones personales graves, un incendio, una descarga eléctrica o la muerte.
- **Para su seguridad personal, esta lavadora debe conectarse a tierra correctamente.** Si no sigue estas advertencias se pueden producir lesiones personales graves, un incendio, una descarga eléctrica o la muerte.
- **El cable de alimentación de este aparato está equipado con un enchufe de 3 pines (conexión a tierra) que combina con un tomacorriente de pared de 3 pines (conexión a tierra)** para minimizar la posibilidad de descarga eléctrica desde este electrodoméstico.
- **Esta lavadora debe estar conectada a una toma 120 V CA, 60 Hz con conexión a tierra adecuada.** Si no sigue estas advertencias se pueden producir lesiones personales graves, un incendio, una descarga eléctrica o la muerte.
- **Se ha de disponer de una toma y un circuito comprobados por un electricista calificado que asegure que la conexión a tierra es la adecuada.** Si no sigue estas advertencias se pueden producir lesiones personales graves, un incendio, una descarga eléctrica o la muerte.
- **Cuando el tomacorriente sea de 2 pines, es su responsabilidad y obligación reemplazarlo por el adecuado de 3 pines con conexión a tierra.** Si no sigue estas advertencias se pueden producir lesiones personales graves, un incendio, una descarga eléctrica o la muerte.
- **No instale la lavadora sobre una alfombra. Instálela sobre una superficie sólida.** Si no sigue estas advertencias se pueden producir daños graves por fugas de agua.
- **No retire el terminal de conexión a tierra. No utilice un adaptador ni un cable prolongador. Enchufe en un**

tomacorriente de 3 pines con conexión a tierra. Si no sigue estas advertencias se pueden producir lesiones personales graves, un incendio, una descarga eléctrica o la muerte.

- **La lavadora siempre se debe conectar una toma propia individual cuya tensión coincida con la marcada en la plaqueta de voltaje.** Así se consigue el mejor rendimiento y se evita sobrecargar los circuitos de los fusibles de la casa, lo que podría provocar riesgo de incendio en la cables sobrecalentados.
- **No desenchufe la lavadora tirando del cable de alimentación.** Sujete siempre el enchufe firmemente y tire de él en línea recta. Si no sigue estas advertencias se pueden producir lesiones personales graves, un incendio, una descarga eléctrica o la muerte.
- **Repare o reemplace inmediatamente todos los cables de alimentación que estén raídos o presenten cualquier otro daño. No utilice un cable que muestre grietas o desgaste en toda su longitud o en alguno de los extremos.** Consulte a un técnico de servicio calificado. Si no sigue estas advertencias se pueden producir lesiones personales graves, un incendio, una descarga eléctrica o la muerte.
- **Cuando instale o mueva la lavadora, procure no pinchar, aplastar ni dañar el cable de alimentación.** Si no sigue estas advertencias se pueden producir lesiones personales graves, un incendio, una descarga eléctrica o la muerte.
- **Un técnico de servicio calificado debe instalar y conectar a tierra la lavadora de acuerdo con los códigos locales** para prevenir los riesgos de descarga eléctrica y asegurar la estabilidad durante el funcionamiento.
- **La lavadora es pesada. Se necesitan dos personas o más para mover e instalar el electrodoméstico.** No hacerlo puede causar lesiones en la espalda o de otro tipo.
- **No instale ni guarde esta lavadora donde quede expuesta a los factores climáticos exteriores y a temperaturas por debajo del punto de congelación.** Si no sigue estas advertencias se pueden producir daños graves por fugas de agua.
- **Para reducir el riesgo de descargas eléctricas, no instale la lavadora en entornos húmedos.** Si no sigue estas advertencias se pueden producir lesiones personales graves, un incendio, una descarga eléctrica o la muerte.

INSTRUCCIONES DE SEGURIDAD IMPORTANTES

⚠️ ADVERTENCIA: RIESGOS PARA LOS NIÑOS

- **No permita que los niños jueguen sobre la lavadora o dentro de ella. Se requiere de supervisión cuando la lavadora es utilizada cerca de los niños. Cuando los niños crezcan, enséñeles a utilizar con seguridad todos los electrodomésticos.** No seguir estas advertencias puede tener como resultado lesiones personales graves.
- **Destruya los cartones, las bolsas de plástico y cualquier otro material del embalaje de la lavadora. Los niños podrían utilizarlos para jugar. Los cartones cubiertos con alfombras, cubrecamas o láminas de plástico se pueden convertir en cámaras herméticas.** No seguir estas advertencias puede tener como resultado lesiones personales graves.
- **Mantenga los productos de lavado fuera del alcance de los niños. Respete todas las advertencias de las etiquetas del producto para evitar lesiones personales.** No seguir estas advertencias puede tener como resultado lesiones personales graves.
- **Antes de descartar la lavadora o de retirarla del servicio, extraiga la puerta del compartimiento de lavado para evitar que los niños y las mascotas pequeñas corran peligro de quedar atrapados dentro de la lavadora.** De no hacerlo así se puede provocar lesiones personales graves o la muerte.

REQUISITOS DE LA CONEXIÓN A TIERRA

IMPORTANTE: Lea las siguientes instrucciones con detenimiento.

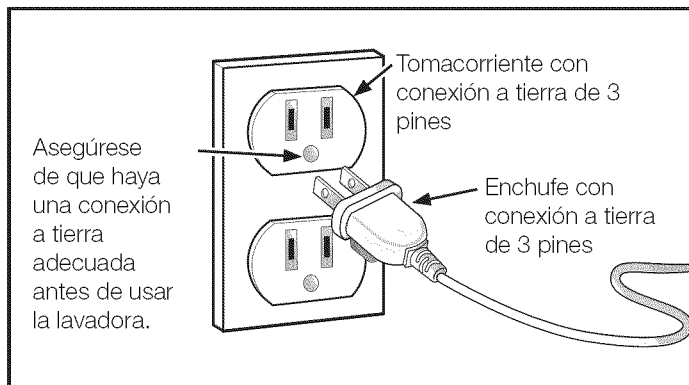
PARA CONECTAR LA ELECTRICIDAD

⚠️ ADVERTENCIA

La conexión inadecuada del conductor de conexión a tierra del equipo puede generar una descarga eléctrica. Consulte a un electricista o técnico calificado si le surgen dudas acerca de si la conexión a tierra del electrodoméstico es adecuada. No modifique el enchufe provisto con el aparato. Si no entra en el tomacorriente, solicite a un electricista calificado que instale el tomacorriente adecuado. Si no sigue estas advertencias se pueden producir lesiones personales graves, un incendio, una descarga eléctrica o la muerte.

INSTRUCCIONES DE CONEXIÓN A TIERRA

Este electrodoméstico debe conectarse a tierra. En caso de que el electrodoméstico funcione mal o se descomponga, la conexión a tierra reducirá el riesgo de descarga eléctrica al ofrecer una vía de menos resistencia a la corriente eléctrica. Este electrodoméstico está equipado con un cable que incluye un conductor y un enchufe de conexión a tierra. El enchufe debe conectarse a un tomacorriente adecuado que esté correctamente instalado y conectado a tierra en conformidad con todos los códigos y ordenanzas locales.



CARACTERÍSTICAS Y FUNCIONES

PIEZAS Y COMPONENTES CLAVES

A. DOSIFICADOR DE DETERGENTE

Hay cuatro compartimentos: para prelavado (no se utiliza en este modelo), lavado principal, lejía líquida y suavizante de telas líquido.

B. PANEL DE CONTROL CON DISPLAY DE LED

El display de LED de fácil lectura muestra durante el funcionamiento las opciones del ciclo, la configuración, el estado del ciclo y el tiempo restante estimado.

NOTA: Los sensores de la lavadora detectan automáticamente el tamaño de la carga para mejorar el tiempo de lavado, según el ciclo y las opciones seleccionadas.

C. MOTOR DE ACCIONAMIENTO DIRECTO

El motor de accionamiento directo proporciona rendimiento y fiabilidad mejorados al tiempo que incrementa la eficiencia energética.

(El motor no es visible.)

D. TAMBOR DE ACERO INOXIDABLE DE GRAN CAPACIDAD

El tambor de acero inoxidable de gran tamaño tiene una gran durabilidad y está inclinado para mejorar la eficacia y permitir la carga de prendas grandes más fácilmente.

E. PUERTA DE BLOQUEO DE FÁCIL ACCESO

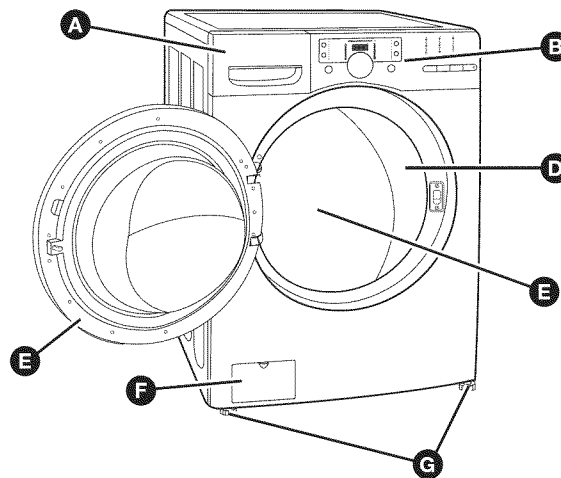
La gran puerta se bloquea durante el funcionamiento y tiene una función de retardo para impedir que se pueda abrir hasta que sea seguro hacerlo.

F. PANEL DE ACCESO DEL FILTRO

Proporciona un fácil acceso al filtro de la bomba de drenaje, lo que facilita la limpieza del filtro o la recuperación de elementos perdidos sin que sea necesario llamar al servicio técnico.

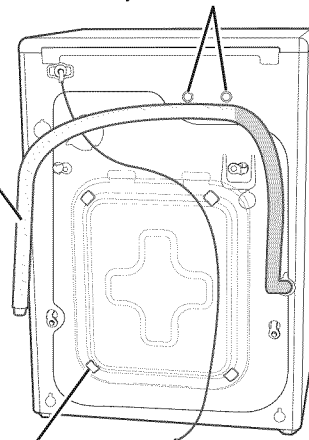
G. PATAS NIVELADORAS

Cuatro patas niveladoras (dos delante y dos detrás) que permiten nivelar la lavadora en superficies inclinadas. Las patas se ajustan y se fijan mediante una llave que se suministra con la lavadora.



Entradas de agua caliente y fría

Manguera de drenaje

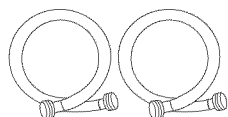


Cable de alimentación

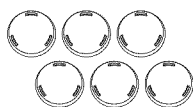
Tornillos de transporte/Retenedores (4)

NOTA: Los tornillos/retenedores se **DEBEN** retirar antes de poner en funcionamiento la lavadora. Consérvelos para usos futuros. Consulte la página 8.

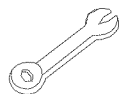
Accesorios incluidos



Mangueras de agua fría y caliente



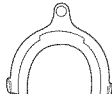
Tapas (6) (para cubrir los orificios para los tornillos de transporte)



Llave (para retirar los tornillos de transporte y ajustar y bloquear las patas niveladoras)



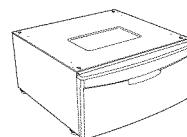
Manual del usuario



Ménsula de codo (para asegurar la manguera de drenaje)

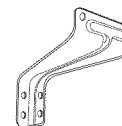
Accesorios opcionales

Pedestal



WE357A7W/XAA (blanco)

Kit de apilamiento (para la secadora)



SK-5A/XAA

Prolongación de la manguera de drenaje



P/N DC82-01012A

REQUISITOS DE LA INSTALACIÓN

DIMENSIONES Y ESPECIFICACIONES CLAVES

Descripción	Lavadora de carga frontal
Voltaje nominal/frecuencia	120 V CA a 60 Hz.
Dimensiones	27" (ancho) x 31,1" (profundidad) x 38" (alto), 50,8" (profundidad con la puerta abierta) 68,6 (ancho) x 80 (profundidad) x 96,5 cm (alto), 129 cm (profundidad con la puerta abierta)
Peso neto	179 lbs (81 kg)

ELIJA UNA UBICACIÓN ADECUADA

⚠️ ADVERTENCIA

- **La lavadora es pesada. Se necesitan dos o más personas para mover y desembalar la lavadora.** De no hacerlo se puede causar daños a la propiedad o lesiones corporales graves.
- **No instale ni guarde esta lavadora donde quede expuesta a los factores climáticos exteriores y a temperaturas por debajo del punto de congelación.** Si no sigue estas advertencias se pueden producir lesiones personales graves, un incendio, una descarga eléctrica o la muerte.
- **Conecte adecuadamente a tierra la lavadora en conformidad con todos los códigos y ordenanzas locales.** Si no sigue estas advertencias se pueden producir lesiones personales graves, un incendio, una descarga eléctrica o la muerte.
- **Para reducir el riesgo de descargas eléctricas, no instale la lavadora en entornos húmedos.** Si no sigue estas advertencias se pueden producir lesiones personales graves, un incendio, una descarga eléctrica o la muerte.
- Cuando la lavadora se instala sobre una superficie alfombrada, los orificios de ventilación no deben quedar obstruidos.
- **No retire el terminal de conexión a tierra. No utilice un adaptador ni un cable prolongador. Enchufe en un tomacorriente de 3 pines con conexión a tierra.** Si no sigue estas advertencias se pueden producir lesiones personales graves, un incendio, una descarga eléctrica o la muerte.

Tomacorriente

- El tomacorriente debe estar a menos de 60 pulgadas (1,5 m) de cualquier lado de la lavadora.
- El aparato y el tomacorriente se deben instalar de manera que el enchufe sea fácilmente accesible.
- No sobrecargue el tomacorriente con más de un aparato.
- El tomacorriente debe estar conectado a tierra de acuerdo con los códigos de cableado y las normativas actuales.
- Se recomienda un fusible de retardo inmediato o un disyuntor.

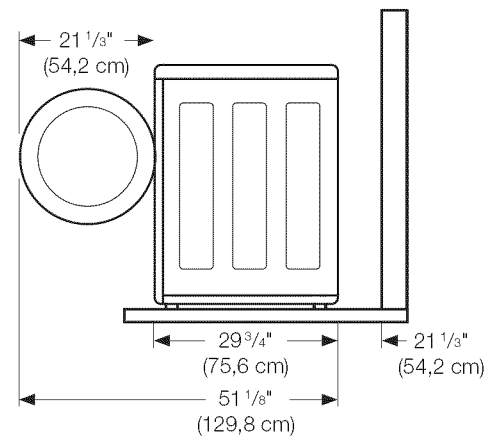
NOTA: Es obligación y responsabilidad personal del propietario del producto tener una instalación del tomacorriente adecuada y realizada por un técnico de servicio calificado.

PISO

Para un mejor desempeño, la lavadora debe estar instalada sobre un piso de construcción sólida. Posiblemente los pisos de madera necesiten reforzarse para minimizar la vibración y/o los desequilibrios de la carga. Las superficies alfombradas o con revestimiento sintético son factores que contribuyen a la vibración y pueden provocar que la lavadora se mueva levemente durante el ciclo de centrifugado.

PRECAUCIÓN: Nunca instale la lavadora sobre una plataforma o sobre una estructura con soportes poco resistentes.

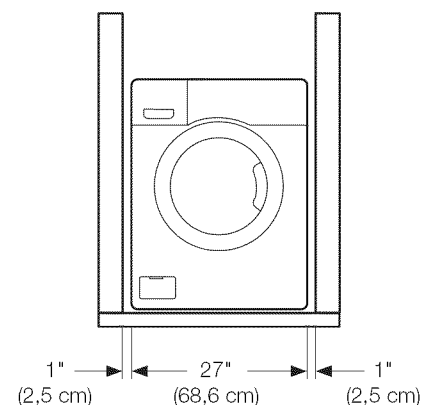
ESPACIOS LIBRES



DEJE UN ESPACIO LIBRE MÍNIMO CUANDO INSTALE EL ELECTRODOMÉSTICO EN UN GABINETE O EN UN HUECO:

- | | |
|-------------------------------------|--|
| Laterales – 1 pulg. (2,5 cm) | Parte superior – 17 pulg. (43,2 cm) |
| Parte posterior – 4 pulg. (10,2 cm) | Fronte del gabinete – 2 pulg. (5,1 cm) |

Si la lavadora y la secadora se instalan una junto a la otra, el frente del gabinete debe contar por lo menos con una abertura sin obstrucciones de 72 pulg² (465 cm²). La lavadora sola no requiere una abertura de aire específica.



NOTA: Tenga en cuenta que el piso debe ser lo bastante resistente para soportar el peso de la lavadora, completamente cargada, sin que se flexione ni abombe; si el piso oscila se deberá reforzar para hacerlo más rígido. Un piso adecuado para una lavadora de carga superior puede no serlo para una lavadora de carga frontal, debido a las diferencias entre la velocidad y la dirección del centrifugado. Si el piso no es sólido, la lavadora puede vibrar y las vibraciones se pueden oír y notar por toda la casa.

INSTRUCCIONES DE INSTALACIÓN

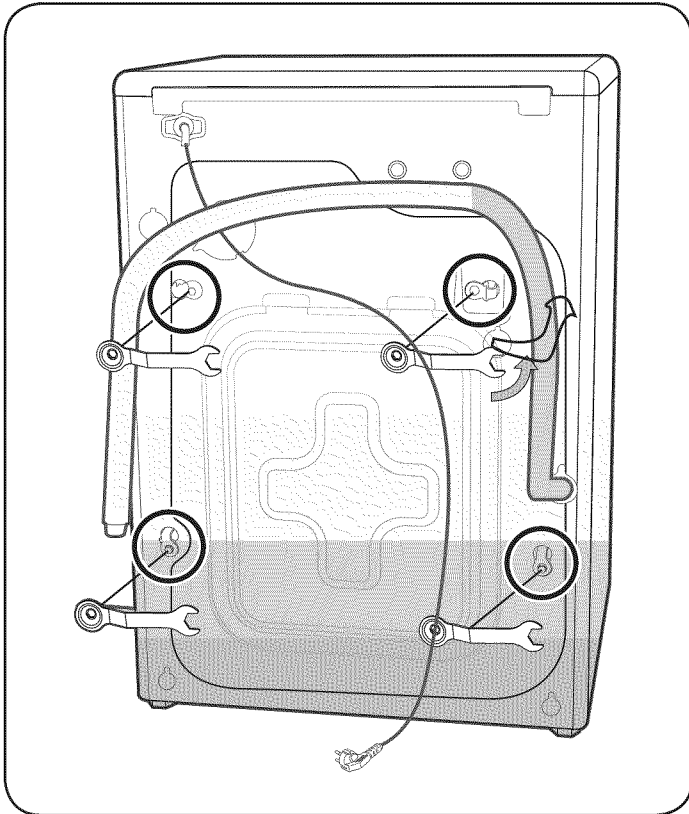
DESEMBALAJE Y REMOCIÓN DE LOS TORNILLOS DE TRANSPORTE

Antes de instalar la lavadora, asegúrese de que la ubicación:

- Tenga una superficie resistente y nivelada sin alfombras ni revestimientos para pisos que puedan obstruir los orificios de ventilación.
- No contenga polvo, aceites, detergentes, etc.
- Esté alejada de la luz solar directa.
- Tenga una ventilación adecuada.
- No corra riesgos de congelamiento (menos de 32 °F o 0 °C).
- Esté alejada de las fuentes de calor, tales como el aceite o el gas.
- Tenga suficiente espacio como para que la lavadora no quede apoyada sobre su cable de alimentación.

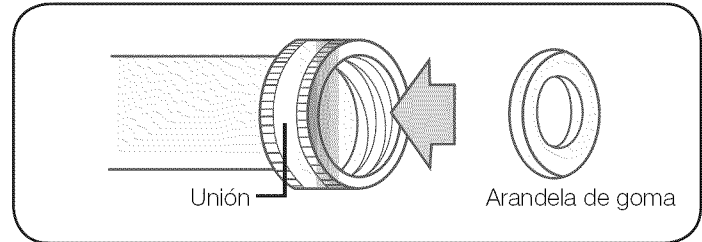
Antes de utilizar la lavadora, debe quitar los cuatro tornillos de transporte de la parte posterior de la unidad.

1. Afloje todos los tornillos con la llave provista.
2. Deslice el tornillo y el separador hacia arriba y retire el tornillo con la arandela a través del orificio de la parte posterior de la lavadora. Repita el proceso para cada tornillo.
3. Cubra los orificios con los tapones de plástico suministrados.
4. Conserve los tornillos de transporte y las arandelas en caso de que los necesite en el futuro.



CONEXIÓN DE LAS MANGUERAS DE AGUA

1. Antes de conectar las mangueras de entrada en las tomas de agua, compruebe que haya una arandela de goma en cada una

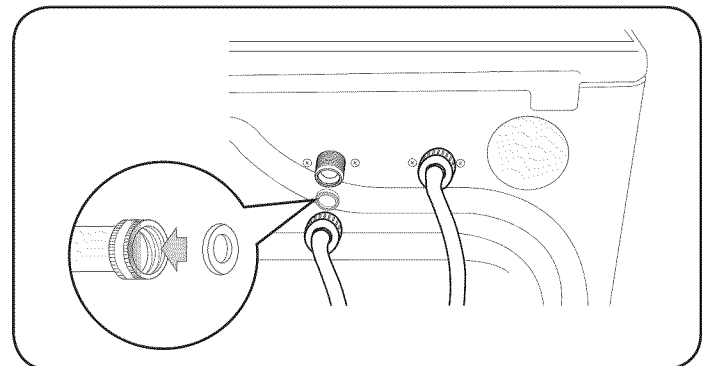
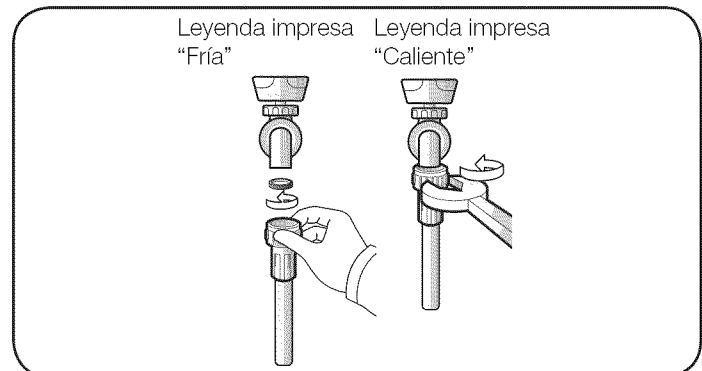


de las uniones de ambos extremos.

2. Enrosque las mangueras de entrada a las conexiones de las llaves de agua CALIENTE y FRÍA de la lavadora. En el otro extremo de la manguera, verifique que haya una arandela de goma por manguera y conecte cada manguera de carga a la válvula de agua. Asegúrese de conectar la manguera con la leyenda impresa que dice "HOT" (Caliente) a la llave de agua CALIENTE. Ajuste a mano hasta que quede ceñido, y a continuación dé dos tercios de giro con la pinza.

NOTA: Para usar el agua correctamente, conecte tanto la válvula de agua CALIENTE como la de agua FRÍA. Si alguna de ellas o ambas están desconectadas, aparecerá el error "nF" (no hay carga).

3. Abra el suministro de agua CALIENTE y FRÍA y controle todas las conexiones a la válvula y a la llave de agua para verificar si hay pérdidas.



INSTRUCCIONES DE INSTALACIÓN

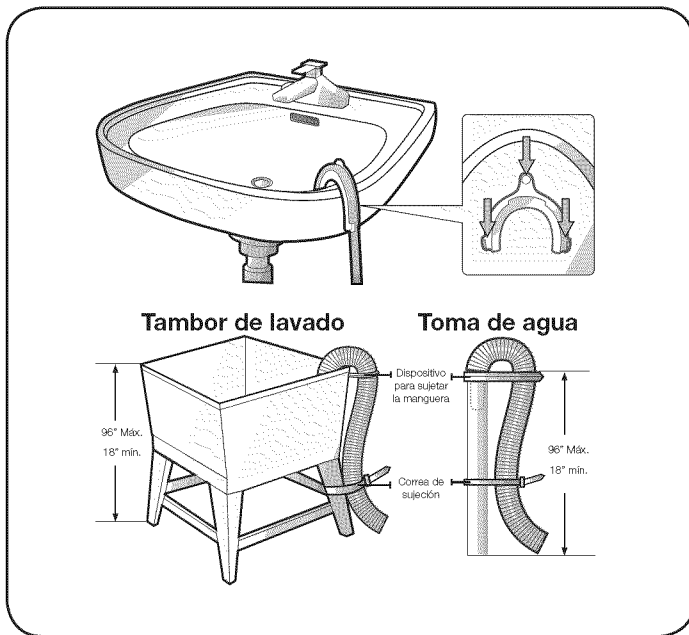
CONEXIÓN DE LA MANGUERA DE DRENAJE

Opción 1: Tina, toma de agua

Coloque la manguera de drenaje en el drenaje (tina, fregadero, toma de agua). Si conecta la manguera de drenaje a una toma de agua, asegúrese de que NO haya una conexión hermética entre la manguera de drenaje y la toma de agua. La toma de agua debe estar a una altura de 18 pulgadas o 46 cm como mínimo y a no más de 96 pulgadas.

NOTA: Siempre se debe tener la precaución de evitar plegar o dañar la manguera de drenaje. Para obtener mejores resultados, la manguera de drenaje no debe presentar obstrucciones de ninguna índole: codos, acoplamientos o longitudes excesivas.

En caso de que no se pueda colocar la manguera de drenaje convenientemente a una altura de 18 pulg. o 46 cm., colóquela un soporte.

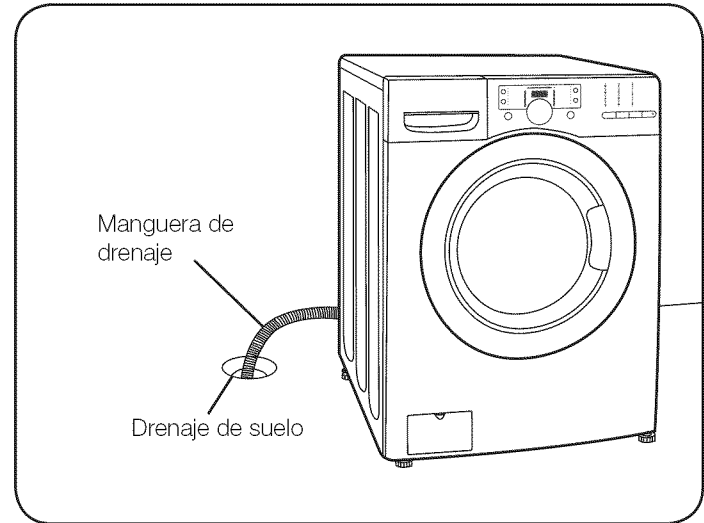


Opción 2: Drenaje de suelo

Inserte el extremo de la manguera de drenaje en el orificio del suelo.

Asegure la manguera para impedir que se mueva o se salga del drenaje, si es posible.

NOTA: Para evitar el sifonamiento, el nivel del agua no debe cubrir el extremo de la manguera.

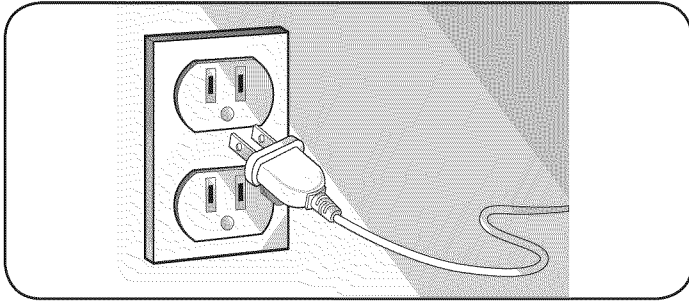


INSTRUCCIONES DE INSTALACIÓN

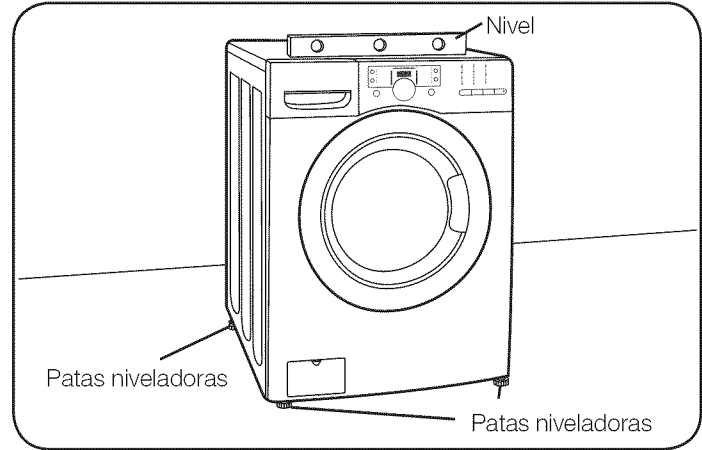
CONEXIÓN DEL SUMINISTRO ELÉCTRICO

Enchufe el cable de alimentación a un tomacorriente aprobado de tres pines, 120 voltios, 60 Hz y con conexión a tierra, protegido por un fusible o un disyuntor de 15 A.

La lavadora está conectada a tierra a través del tercer pin del cable de alimentación cuando se lo enchufa a un tomacorriente de tres pines con conexión a tierra.



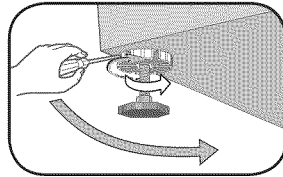
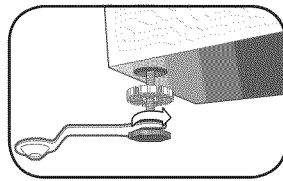
- Las cuatro patas niveladoras deben apoyarse firmemente en el piso. Balancee la lavadora de esquina a esquina para asegurarse de que las cuatro patas se asientan firmemente en el piso.



NIVELADO DE LA LAVADORA

1. Deslice la lavadora hasta dejarla en su lugar.

2. Nivele la lavadora girando manualmente las patas niveladoras hacia adentro o hacia afuera según sea necesario o para ello use la llave incluida con la lavadora. Cuando la lavadora esté nivelada, ajuste las tuercas usando la llave o un destornillador de cabeza plana (-).

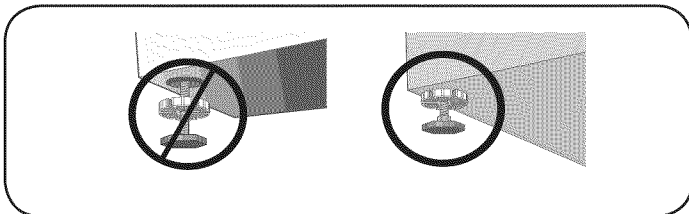


NOTA: Las cuatro caras de la lavadora deben quedar niveladas. Se debe usar un nivelador de carpintero en las cuatro esquinas de la lavadora. Es mejor hacer otra comprobación después de una docena de lavados.

NOTA: Evite el daño de las patas. No mueva la lavadora a menos que las tuercas de bloqueo se encuentren sujetas a la parte inferior de la misma.

El tambor de esta lavadora centrifuga a velocidades muy elevadas. Para minimizar las vibraciones, los ruidos y los movimientos indeseados, el piso debe ser una superficie sólida nivelada.

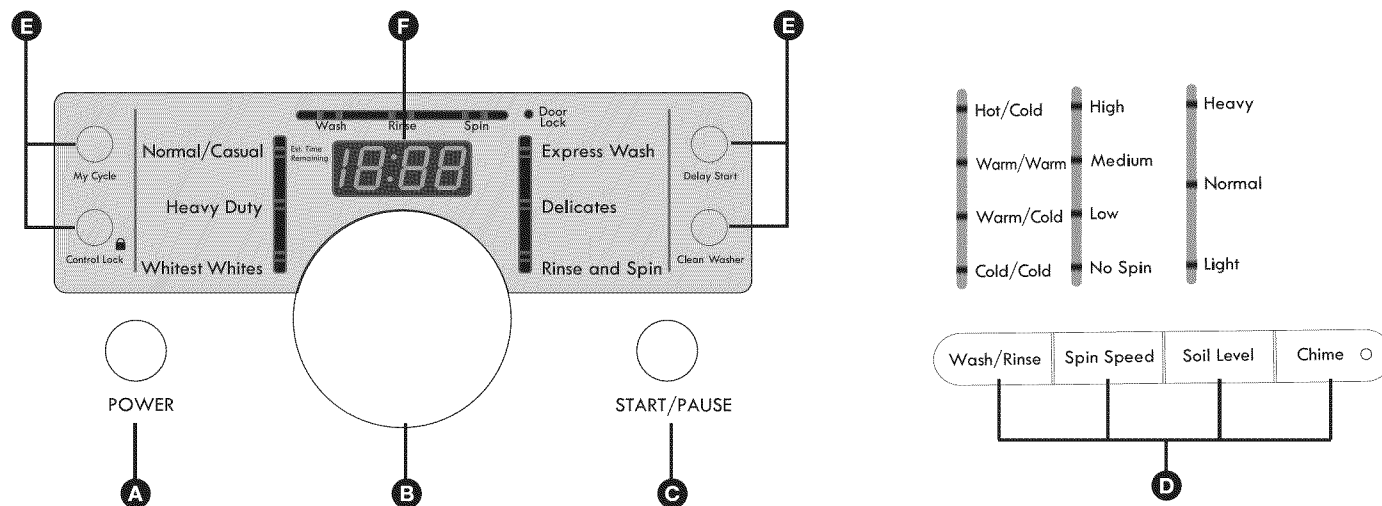
NOTA: Ajuste las patas niveladoras sólo lo necesario para nivelar la lavadora. Extender las patas niveladoras más de lo necesario puede hacer que la lavadora vibre.



CÓMO UTILIZAR

⚠️ ADVERTENCIA: Para reducir el riesgo de incendio, descarga eléctrica o lesiones personales, lea este manual en su totalidad, incluidas las instrucciones de seguridad importantes, antes de poner en funcionamiento la lavadora.

FUNCIONES DEL PANEL DE CONTROL



A. BOTÓN POWER (ENCENDIDO (encender/apagar))

Presionar para poner en funcionamiento la lavadora. Volver a presionar para apagar la lavadora.

NOTA: Presionar el botón Power (Encendido) durante un ciclo cancela éste y se pierde cualquier configuración de carga. La puerta se desbloqueará luego de una breve pausa a menos que el nivel del agua o de la temperatura sean demasiado elevados.

B. DIAL SELECTOR DE CICLOS

Gire este dial para seleccionar el ciclo deseado. Una vez seleccionado el ciclo deseado, se muestra en el display la preselección estándar. Esta configuración se puede ajustar con los botones de configuración del ciclo en cualquier momento antes de iniciarse el ciclo. (Consulte la guía de ciclos de la página 14 para ver las configuraciones permitidas. Para proteger la ropa, no se permiten todas las configuraciones en todos los ciclos.)

C. BOTÓN START/PAUSE (INICIO/PAUSA)

Presione este botón para iniciar el ciclo seleccionado. Si la lavadora está funcionando, utilice este botón para hacer una pausa sin que se pierda la configuración actual.

NOTA: Si no presiona el botón START/PAUSE (INICIO/PAUSA) antes de 4 minutos después de seleccionar un ciclo, la lavadora se apaga automáticamente.

D. BOTONES MODIFICADORES DE CICLOS

Utilice estos botones para ajustar las opciones del ciclo seleccionado. La luz sobre los botones indica la selección actual. Consulte la página 19 para obtener una descripción completa.

NOTA: No todas las configuraciones están disponibles en cada ciclo. Consulte la tabla de la página 14 para obtener más detalles.

E. BOTONES DE OPCIONES Y DE CICLOS ESPECIALES

Estos botones se utilizan para activar opciones y ciclos especiales. Consulte la página 20 para conocer más detalles.

F. DISPLAY DE TIEMPO Y ESTADO

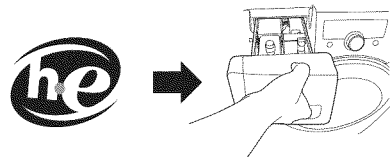
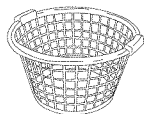
Este display muestra el tiempo restante estimado, el estado del ciclo y el estado del bloqueo de la puerta. Consulte la página 18 para obtener una descripción completa.

G. DOSIFICADOR

Cajón dosificador. Esta cajón contiene compartimientos para el detergente y los aditivos. Consulte las páginas 16-17 para obtener una información completa.

CÓMO UTILIZAR

FUNCIONAMIENTO DE LA LAVADORA



1. CLASIFIQUE LA ROPA Y CARGUE LA LAVADORA

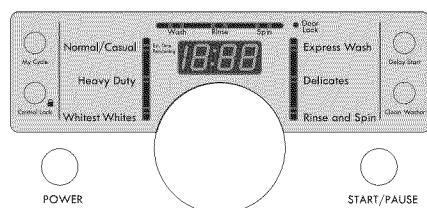
Consulte la página 15.

2. AGREGUE DETERGENTE Y OTROS PRODUCTOS

Abra el cajón del dosificador y agregue un detergente de alta eficacia (HE) en el compartimiento del lavado principal del cajón del dosificador. Agregue la cantidad que desee de lejía y suavizante de telas. Consulte las páginas 14 y 15 para obtener información importante sobre los detergentes y el uso del dosificador.

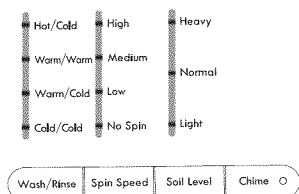
3. PONGA EN FUNCIONAMIENTO LA LAVADORA

Presione el botón POWER (ENCENDIDO) para poner en funcionamiento la lavadora. Se iluminan los indicadores alrededor del dial selector de ciclos y se oye una señal sonora, si está activada. Consulte la página 12.



4. SELECCIONE UN CICLO

Gire el selector de ciclos en cualquier dirección para seleccionar el ciclo deseado. Se muestran las configuraciones preseleccionadas de la temperatura de Wash/Rinse (Lavar/Enjuagar), Spin Speed (Velocidad de centrifugado), Soil Level (Nivel de suciedad) y Option (Opciones) de cada ciclo. Consulte la página 12.



5. SELECCIONE LOS MODIFICADORES DE CICLOS

Si se desea, se puede cambiar la configuración predeterminada del ciclo seleccionado. Esto se puede hacer con los botones modificadores de ciclos como se muestra en la página 19 (Wash/Rinse (Lavar/Enjuagar), Spin Speed (Velocidad de centrifugado), Soil Level (Nivel de suciedad) y Chime (Señal sonora)).

NOTA: Para proteger la ropa, no se permiten todos los modificadores en todos los ciclos.



6. SELECCIONE LAS OPCIONES DEL CICLO

Mediante los botones de opciones se pueden añadir opciones al ciclo, como se muestra en la página 24 (My Cycle (Mi ciclo), Control Lock (Bloqueo controles), Delay Start (Inicio retardado), Clean Washer (Limpiar lavadora)).

NOTA: No todas las opciones están disponibles en todos los ciclos.



7. INICIE EL CICLO

Presione el botón START/PAUSE (INICIO/PAUSA) para iniciar el ciclo. Una vez iniciado el ciclo, vuelva a presionar el botón START/PAUSE (INICIO/PAUSA) para hacer una pausa y mantener la configuración actual durante 4 minutos.

CÓMO UTILIZAR

GUÍA DE CICLOS

La siguiente guía de ciclos muestra las configuraciones predeterminadas, las opciones disponibles y los tipos de tela recomendados para cada ciclo. Los ajustes de los modificadores disponibles se muestran debajo de la configuración predeterminada de cada ciclo.

● = Opción disponible

▨ = Opción predeterminada

CICLO				PREDETERMINADO			OPCIONES	
Ciclo	Tilo tela o carga	Detección carga	Tiempo display (min)	Temp. Lavar/Enjuagar	Velocidad centrifugado	Nivel suciedad	Inicio retardado	Mi ciclo
Normal (Normal)	Para la mayor parte de telas, incluido algodón, lino y prendas moderadamente sucias.	BAJA (1,5 kg)	0:56	Warm/Cold (Tibia/Fría)	High (Alta)	Normal (Normal)		
		MED (3,5 kg)	0:58	Hot/Cold (Caliente/Fría)	Medium (Mediana)	Heavy (Muy sucia)	●	●
		ALTA (5,5 kg)	1:00	Cold/Cold (Fría/Fría)	Low (Baja) No Spin (Sin centrifugado)	Light (Ligeramente sucia)		
Heavy Duty (Potencia extra)	Para telas resistentes que no destiñen y prendas muy sucias.	BAJA (1,5 kg)	1:29	Hot/Cold (Caliente/Fría)	High (Alta)	Heavy (Muy sucia)		
		MED (3,5 kg)	1:30	Tibia/Tibia Warm/Cold (Tibia/Fría)	Medium (Mediana)	Normal (Normal)	●	●
		ALTA (5,5 kg)	2:07	Cold/Cold (Fría/Fría)	Low (Baja) No Spin (Sin centrifugado)	Light (Ligeramente sucia)		
Whitest Whites (Blanco extra)	Para telas blancas con o sin lejía.		1:15	Warm/Cold (Tibia/Fría)	High (Alta)	Normal (Normal)		
				Hot/Cold (Caliente/Fría)	Medium (Mediana)	Heavy (Muy sucia)	●	●
				Warm/Warm (Tibia/Tibia) Cold/Cold (Fría/Fría)	Low (Baja) No Spin (Sin centrifugado)	Light (Ligeramente sucia)		
Rinse and Spin (Enjuagar y centrifugar)	Úselo para cargas que necesitan únicamente enjuague o para agregar a la carga suavizante de telas que se añade durante el enjuague.		0:20	Cold/Cold (Fría/Fría)	High (Alta)		●	●
				Cold/Cold (Fría/Fría)	Medium (Mediana) Low (Baja) No Spin (Sin centrifugado)	-		
Express Wash (Lavado rápido)	Para prendas ligeramente sucias que se necesitan con urgencia.		0:27	Warm/Cold (Tibia/Fría)	High (Alta)	Light (Ligeramente sucia)		
				Hot/Cold (Caliente/Fría)	Medium (Mediana)	Heavy (Muy sucia)	●	●
				Warm/Warm (Tibia/Tibia) Cold/Cold (Fría/Fría)	Low (Baja) No Spin (Sin centrifugado)	Normal (Normal)		
Delicates (Delicada)	Para telas finas, brassieres, lencería de seda y otras telas que deben lavarse únicamente a mano. Para obtener mejores resultados, use detergente líquido.		0:45	Cold/Cold (Fría/Fría)	Low (Baja)	Normal (Normal)		
				Warm/Warm (Tibia/Tibia) Warm/Cold (Tibia/Fría)	No Spin (Sin centrifugado)	Heavy (Muy sucia) Light (Ligeramente sucia)	●	●
Clean Washer (Limpiar lavadora)	Para limpiar el tambor.		1:34	Hot/Cold (Caliente/Fría)	Medium (Mediana)	-	●	●

NOTA: Para proteger las prendas, en cada ciclo no están disponibles todas las temperaturas de lavado y enjuague, velocidad de centrifugado, nivel de suciedad y opciones. Se oye una señal sonora diferente y el LED no se ilumina si la selección no está disponible.










NOTA: La lavadora ajusta automáticamente el tiempo de lavado según la cantidad de ropa, la presión del agua, el tiempo de calentamiento del agua y otras condiciones de funcionamiento.

CÓMO UTILIZAR

CLASIFICACIÓN DE LAS CARGAS DE LAVADO

Etiquetas de indicaciones de la tela

La mayoría de las prendas llevan una etiqueta con instrucciones sobre el cuidado adecuado. Mediante la tabla siguiente, ajuste las selecciones de ciclos y opciones para cuidar la ropa según las recomendaciones del fabricante.

Etiquetas de indicaciones de la tela			
Ciclo de lavado en máquina	 Normal	 Plancha permanente/ antiarrugas	 Suave/Delicada
	 Lavado a mano	 No lavar	 No retorcer
Temperatura del agua	 Caliente (50SDgrC/120°F)	 Tibia (40SDgrC/105°F)	 Fría (30SDgrC/85°F)
Símbolos de lejía	 Cualquier lejía (cuando sea necesaria)	 Sólo lejía sin cloro (cuando sea necesaria)	 No usar lejía

Agrupamiento de las prendas similares

Para obtener los mejores resultados del lavado y reducir las posibilidades de dañar la ropa, clasifique las cargas de lavado por prendas similares. Combinar diferentes tipos de tela y niveles de suciedad puede reducir el desempeño del lavado, transferir colores, decolorar las telas, dañar las prendas o crear pelusa. La colada se debe clasificar en grupos como se explica a continuación.

Ropa de color

Clasifique la ropa según el color. Lave las prendas de color oscuro separadas de las blancas o de colores claros. Combinar prendas de colores oscuros con otras de colores claros puede generar una transferencia de tinte a las de colores claros o una decoloración de éstas.

Nivel de suciedad

Lave juntas las prendas más sucias. Lavar prendas poco sucias y muy sucias en la misma carga puede reducir la calidad del lavado en las prendas poco sucias.

Tipo de tejido

Las prendas delicadas no se deben lavar junto a prendas de tejidos más pesados y resistentes. Si lava prendas delicadas junto a las de tejidos más resistentes, aquéllas se pueden dañar. Lavar juntas prendas de tejidos más resistentes y prendas delicadas puede reducir la calidad del lavado de las prendas más resistentes y dañar las delicadas.

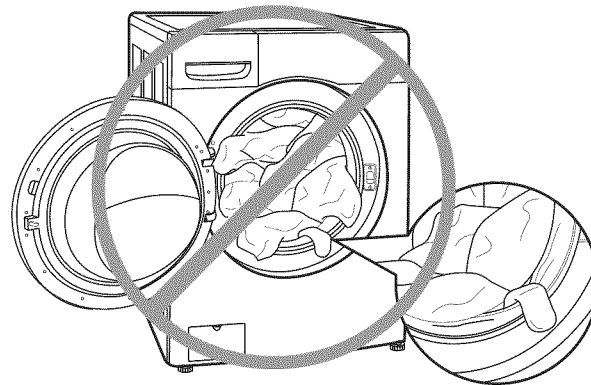
Tipo de pelusa

Algunas telas atraen la pelusa mientras que otras la generan en el proceso de lavado. No mezcle en la misma carga ropas que atraen la pelusa con las que la generan. Lavar juntos ambos tipos de prendas puede hacer que los filtros se obstruyan con la pelusa. (Por ejemplo, telas que atraen pelusa - suéteres; telas que generan pelusa - telas de felpa)

Carga de la lavadora

- **Asegúrese de que los bolsillos estén vacíos.** Los objetos como clips, bolígrafos, monedas y llaves puede dañar la lavadora y las prendas.
- Cierre cremalleras, ganchos y cordones para evitar que se enreden con otras prendas.
- Trate previamente las zonas más sucias para obtener los mejores resultados.
- En una carga combine prendas grandes y pequeñas. Cargue en primer lugar las prendas grandes.
- Las prendas grandes no deben ser más de la mitad de la carga total.
- La lavadora se puede cargar totalmente, pero el tambor no se debe abarrotar. La puerta de la lavadora se debe cerrar fácilmente.
- Para evitar un desequilibrio en la carga, no lave una sola prenda. Agregue una o dos prendas similares. Las prendas grandes y voluminosas, como las frazadas, los edredones o los cubrecamas, se deben lavar individualmente.
- No lave ni centrifugue elementos impermeables, como ponchos de lluvia, bolsas de dormir, etc.
- Cuando vacíe la lavadora, compruebe si debajo del sello de la puerta hay alguna prenda pequeña.

NOTA: Asegúrese de que en la zona del sello de la puerta no quede ninguna prenda cuando cierre ésta. Sobrecargar la lavadora puede hacer que algunas prendas queden atrapadas entre la puerta y el sello. Esto puede dañar las prendas y el sello.



- **NO SOBRECARGUE EL TAMBOR**
- **ASEGÚRESE DE QUE LA ROPA NO QUEDA ATRAPADA EN LAS JUNTAS DE LA PUERTA**

Clasificación de la ropa...

Por colores	Por suciedad	Por tela	Por pelusa
Blanca	Muy sucia	Delicada	Generan pelusa
Clara	Normal	Sin plancha	Atraen pelusa
Oscura	Poco sucia	Resistente	

CÓMO UTILIZAR

ACERCA DEL DOSIFICADOR

Dosificador automático

La lavadora cuenta con compartimientos separados para dosificar el detergente y la lejía con protección para ropa de color, la lejía que contenga cloro y el suavizante de telas. Coloque todos los aditivos de lavado en su compartimiento respectivo antes de poner en funcionamiento la lavadora.

ADVERTENCIA:

El dosificador automático SIEMPRE DEBE estar en su sitio antes de poner en funcionamiento la lavadora.

NO abra el dosificador automático cuando la lavadora está en funcionamiento.

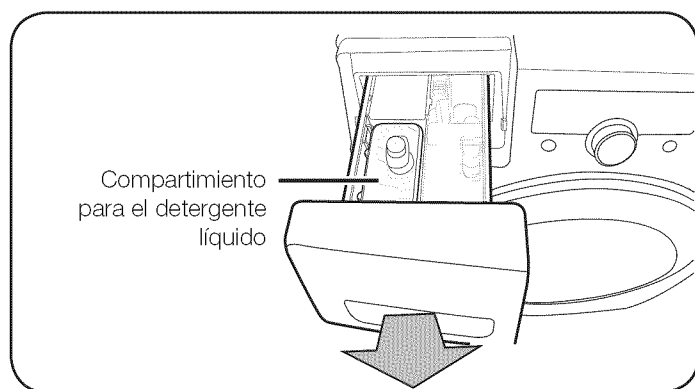
- Cuando vierta detergente nunca sobrepase las recomendaciones del fabricante de la lavadora.
- Este compartimiento contiene el detergente líquido durante el ciclo de lavado principal, que se vierte a la carga al inicio del ciclo.

NOTA: Cuando utilice detergente en polvo, quite el compartimiento del detergente líquido del cajón para detergente. El detergente en polvo no se dispensa desde el compartimiento para el detergente líquido.

Compartimiento para el detergente

1. Vierta la cantidad recomendada de detergente de **HE** alta eficacia (HE) para ropa directamente en el compartimiento para el detergente antes de poner en funcionamiento la lavadora.
2. Si se usa lejía con protección para ropa de color, debe agregarse con el detergente en el compartimiento para el detergente.

NOTA: Cuando agregue lejía con protección para ropa de color junto con el detergente, lo mejor es que ambos productos tengan la misma consistencia: en polvo o líquida.



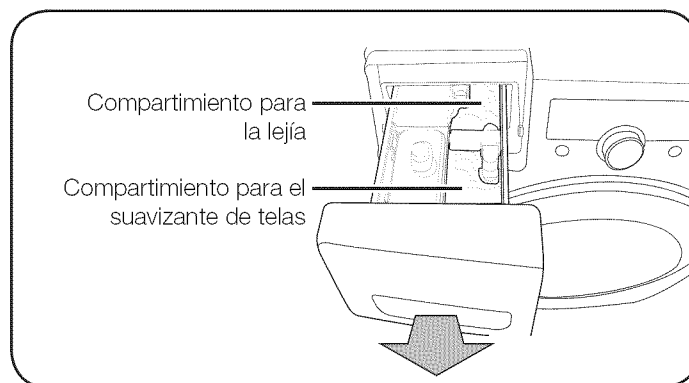
Compartimiento para la lejía

(Sólo lejía líquida que contenga cloro)

1. Agregue lejía que contenga cloro en el compartimiento para la lejía.
NO exceda la línea MAX FILL (Llenado máximo).
2. Evite salpicar o rebasar el compartimiento.
3. La lavadora dosificará automáticamente la lejía dentro del tambor en el momento apropiado.
4. El dosificador diluye automáticamente la lejía líquida que contenga cloro antes de que llegue a la carga para lavar.

NOTA:

- Nunca vierta lejía líquida que contenga cloro sin diluir directamente sobre la carga o dentro del tambor. Se trata de un químico potente y puede ser perjudicial para la tela, por ejemplo desgastando las fibras o causando decoloración, si no se usa correctamente.
- Si prefiere usar lejía sin cloro, con protección para ropa de color, agréguela al compartimiento para el detergente apropiado.
NO vierta lejía con protección para ropa de color en el compartimiento para la lejía.



Compartimiento para el suavizante de telas

1. Vierta la cantidad recomendada de suavizante líquido para telas en el compartimiento para el suavizante.
Para cargas más pequeñas, use menos del contenido de una tapa.
2. Diluya el suavizante de telas con agua hasta que alcance la línea MAX FILL (Llenado máximo) del compartimiento.
3. El dosificador libera automáticamente el suavizante de telas líquido en el momento correcto durante el ciclo de enjuague.

NOTA:

- Use el compartimiento para el suavizante SÓLO para suavizantes de telas líquidos.
- Use el compartimiento para el detergente.
- NO es aconsejable utilizar suavizante de telas líquido ya que es demasiado pegajoso y quizás no se mezclaría con el agua suficientemente.

CÓMO UTILIZAR

DETERGENTE Y USO DEL DOSIFICADOR

Consideraciones acerca de los detergentes

Los detergentes HE producen menos espuma y se disuelven con más eficacia, lo que mejora el rendimiento del lavado y del enjuagado y mantiene limpio el interior de la lavadora.

El uso de detergentes que no sean HE puede producir un espuma excesiva y un desempeño poco satisfactorio, lo que podría generar códigos de error, fallas en los ciclos y daños en la máquina.



Para conseguir un desempeño adecuado, mida siempre el detergente de acuerdo con las especificaciones del fabricante de éste.

La cantidad normal que se necesita para una carga mediana es menos de 1/2 del máximo recomendado. Utilice menos detergente con agua blanda, ropa poco sucia y cargas más pequeñas. No utilice nunca más cantidad que el máximo recomendado por el fabricante del detergente.



Diseñada para utilizar sólo detergente de alta eficacia (HE)

La lavadora fue diseñada para usar detergentes de alta eficacia (HE, por su sigla en inglés).

- Para obtener un lavado de óptima calidad, use detergentes eficaces, por ejemplo: Tide HE, Wisk HE, Cheer HE o Gain HE*. Los detergentes de alta eficacia contienen supresores de la espuma que reducen o eliminan la espuma. Cuando se produce menos espuma, la carga se mueve con mayor eficacia y el lavado se maximiza.

ADVERTENCIA: NO se recomienda un detergente convencional. Use únicamente detergentes de alta eficacia.

NOTA: Reducir la cantidad de detergente puede reducir la calidad del lavado. Es importante tratar las manchas previamente, clasificar las prendas con cuidado por color y nivel de suciedad, y evitar sobrecargar la lavadora.

* Los nombres de las marcas son marcas comerciales de sus respectivos fabricantes.

IMPORTANTE: Todos los detergentes no son iguales. Preste atención a la cantidad de detergente utilizada para evitar una formación excesiva de espuma, un mal enjuagado, restos de detergente en las prendas y acumulación de residuos que pueden originar malos olores en la lavadora. NUNCA utilice un medidor distinto al proporcionado por el fabricante del detergente que está utilizando. No utilice nunca más cantidad que el máximo recomendado por el fabricante del detergente.

Ya que los detergentes HE están diseñados para este tipo de lavadora, tenga cuidado cuando mida la cantidad de detergente. En cargas normales, no se debe usar más de 1/2 a 3/4 del medidor del detergente HE.

NOTA: Sea mucho más cuidadoso cuando utilice detergentes concentrados 2x y 3x ya que una pequeña cantidad extra puede contribuir a crear los problemas antes mencionados.

NOTA: Los detergentes diseñados como COMPATIBLES HE pueden no producir óptimos resultados.

Llenado del dosificador

Para agregar detergente, lejía y suavizante de telas al dosificador automático:

1. Abra el cajón del dosificador.
2. Ponga los productos de lavado en los compartimientos correspondientes.
3. Cierre el cajón antes de iniciar el ciclo.

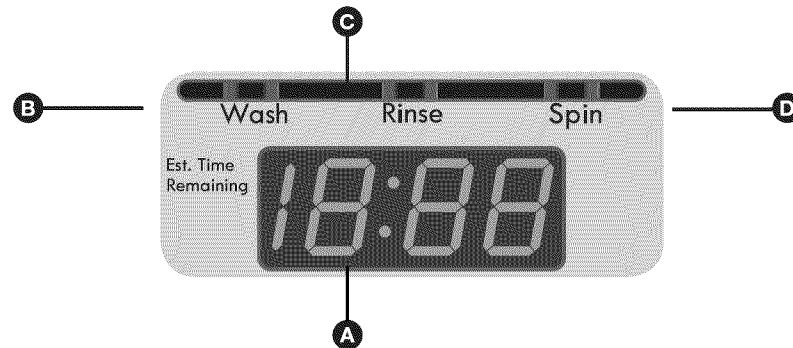
NOTA: Es normal que al final de ciclo quede una pequeña cantidad de agua en los compartimientos de la lejía y el suavizante.

IMPORTANTE: No ponga ni almacene productos del lavado, como detergentes, lejías o suavizantes líquidos, en la parte superior de la lavadora o la secadora. Limpie cualquier derrame inmediatamente. Estos productos pueden dañar el acabado y los controles.

CÓMO UTILIZAR

DISPLAY DE TIEMPO Y ESTADO

Este display muestra el tiempo restante estimado, el progreso del ciclo y el estado del bloqueo de la puerta.



A. TIEMPO RESTANTE ESTIMADO

Cuando se presiona el botón START/PAUSE (INICIO/PAUSA), la lavadora detecta automáticamente la carga (peso) y establece el tiempo de lavado óptimo, según el ciclo y las opciones seleccionadas. El display indicará a continuación el tiempo restante estimado del ciclo de lavado seleccionado.

NOTA:

- El tiempo que se muestra es estimado. Por ejemplo, se puede hacer una pausa en el tiempo estimado mientras la máquina balancea la carga; en algunas circunstancias la máquina puede hacer una pausa durante periodos largos.
- El tiempo estimado se basa en el funcionamiento normal. Algunos factores externos (temperatura ambiente, temperatura del agua entrante, etc.) también pueden afectar a la duración del tiempo estimado frente al tiempo real.

B. INDICADOR DE DETECCIÓN DE LA CARGA

Este indicador se ilumina al inicio del ciclo mientras el control mide el tamaño de la carga. Una vez determinado el tamaño, el control ajusta el ciclo para conseguir el mejor desempeño. El tiempo restante estimado no se mostrará hasta que se determine el tamaño de la carga, y puede variar según la carga.

C. INDICADOR DEL ESTADO DEL CICLO

Estos LED de estado se iluminan para indicar la parte del ciclo que se está ejecutando. Un indicador que parpadea indica la parte activa del ciclo. Una vez completada esta parte, el indicador deja de parpadear.

D. INDICADOR DEL BLOQUEO DE LA PUERTA

Indica que la puerta está bloqueada. La puerta de la lavadora se bloquea mientras está funcionando. La puerta se puede desbloquear presionando el botón START/PAUSE (INICIO/PAUSA) para detener la lavadora.

NOTA:

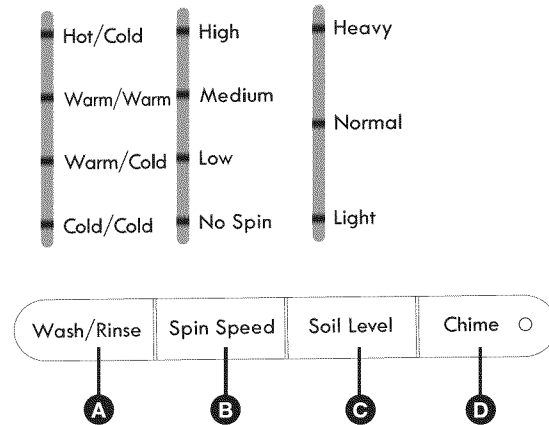
- Si la temperatura del agua es demasiado alta, la puerta no se puede desbloquear hasta que la lavadora no se haya enfriado.
- Si el nivel del agua es demasiado alto, la puerta no se desbloqueará. Para drenar el agua, presione el botón POWER (ENCENDIDO) y, a continuación, SPIN SPEED (VELOCIDAD DE CENTRIFUGADO) sin seleccionar ningún ciclo. Al presionar el botón START/PAUSE (INICIO/PAUSA), se vaciará el agua y la ropa dejará de girar. No intente forzar la puerta ya que podría dañarla.

CÓMO UTILIZAR

BOTONES MODIFICADORES DE CICLOS

Cada ciclo tiene una configuración predeterminada que se selecciona automáticamente. Con los botones modificadores de ciclos se puede cambiar esta configuración. Presione el botón modificador que desee hasta que se ilumine el indicador del valor deseado.

La lavadora ajusta automáticamente el nivel del agua según el tipo y el tamaño de la carga para proporcionar los mejores resultados y la máxima eficacia. A causa de la naturaleza de este producto de alta eficiencia, los niveles del agua pueden ser mucho menores de lo esperado. Este es el funcionamiento normal y el rendimiento de la limpieza y el aclarado no resulta comprometido.



A. WASH/RINSE (LAVAR/ENJUAGAR)

Seleccione la combinación de la temperatura de lavado y enjuague del ciclo seleccionado. Presione el botón WASH/RINSE (LAVAR/ENJUAGAR) hasta que se ilumine el indicador de la configuración deseada.

- Esta lavadora tiene un elemento de calentamiento para elevar la temperatura del agua en la configuración Muy caliente. Se mejora así el rendimiento del lavado en las configuraciones normales del calentador del agua.
- Seleccione la temperatura del agua adecuada al tipo de carga. Siga las instrucciones de la etiqueta de la prenda para conseguir los mejores resultados.
- El enjuague tibio se regula aproximadamente a una temperatura de 86 °F (30 °C).
- El enjuague tibio deja la ropa más seca que el enjuague en frío, pero aumenta el consumo de energía y la ropa queda más arrugada.
- El enjuague en frío gasta menos energía. La temperatura real del enjuague depende de la temperatura del agua fría suministrada.

NOTA: Para proteger las prendas, en cada ciclo no están disponibles todas las temperaturas de lavado y enjuague, velocidad de centrifugado, nivel de suciedad y opciones. Se oye una señal sonora diferente y el LED no se ilumina si una selección no está disponible. Consulte la guía de ciclos de la página 14 para obtener más detalles.

B. VELOCIDAD DE CENTRIFUGADO

Las velocidades de centrifugado más altas extraen más agua de la ropa, por lo que reducen el tiempo de secado y ahorran energía.

Presione el botón SPIN SPEED (VELOCIDAD DE CENTRIFUGADO) hasta que se ilumine el indicador de la configuración deseada. Algunas prendas, como las delicadas, requieren una velocidad de centrifugado más lenta.

Ciclo de drenaje y centrifugado:

1. Si presiona el botón POWER (ENCENDIDO) y luego mantiene presionado el botón SPIN (CENTRIFUGADO) durante 2 segundos, se indica el tiempo de centrifugado en el display.
2. Luego vuelva a presionar el botón SPIN (CENTRIFUGADO) hasta que se seleccione el nivel de centrifugado requerido y presione el botón START/PAUSE (INICIO/PAUSA).

NOTA: Antes de pulsar el botón SPIN ONLY (SÓLO CENTRIFUGADO) para utilizar esta función, puede seleccionar un ciclo con el Selector de ciclos. Si ya ha seleccionado un ciclo, sólo puede seleccionar el nivel de centrifugado correspondiente al ciclo seleccionado.

C. SOIL LEVEL (NIVEL DE SUCIEDAD)

Ajusta el ciclo seleccionado para proporcionar más tiempo de lavado a las ropas muy sucias o menos tiempo a las ropas ligeramente sucias.

Presione el botón SOIL LEVEL (NIVEL DE SUCIEDAD) hasta que se ilumine el indicador de la configuración deseada.

D. CHIME (SEÑAL SONORA)

Presione el botón CHIME (SEÑAL SONORA) para encender o apagar la señal.

CÓMO UTILIZAR

BOTONES DE OPCIONES DE LOS CICLOS

La lavadora permite configurar opciones adicionales de los ciclos para personalizar algunos ciclos según sea necesario.

1. Ponga en funcionamiento la lavadora y gire el dial selector de ciclos para seleccionar el ciclo deseado.
2. Utilice los botones modificadores de los ciclos para ajustar la configuración de cada ciclo.
3. Presione el botón de la opción del ciclo que desee agregar. Este botón se ilumina una vez seleccionada la opción. Si la opción seleccionada no está disponible para el ciclo seleccionado, se oye dos veces la señal sonora.
4. Presione el botón START/PAUSE (INICIO/PAUSA) para iniciar el ciclo. La lavadora se inicia automáticamente tras una breve demora para bloquear la puerta.

NOTA: Para proteger las prendas, en cada ciclo no están disponibles todas las opciones. Consulte la GUÍA DE CICLOS de la página 14 para obtener más detalles.

NOTA: Si el botón START/PAUSE (INICIO/PAUSA) no se presiona antes de 4 minutos, el control se apaga y se pierde la configuración.

DELAY START (INICIO RETARDADO)



Delay Start

Una vez seleccionado el ciclo y otras opciones, presione este botón para retardar el inicio del ciclo de lavado. Con cada presión del botón se incrementa el tiempo de retardo en una hora, hasta 19 horas. Una vez establecido el tiempo, presione el botón START/PAUSE (INICIO/PAUSA) para iniciar el tiempo de retardo.

FUNCIONES ESPECIALES

CONTROL LOCK (BLOQUEO CONTROLES)



Control Lock

Esta función evita que los niños jueguen con la lavadora.

Activación de la función de bloqueo de los controles

Mantenga presionado el botón CONTROL LOCK (BLOQUEO CONTROLES) durante aproximadamente 3 segundos.

- Cuando se activa la función de bloqueo de los controles, la puerta se bloquea y se enciende la lámpara "Control Lock (Bloqueo controles)".
- Si se presiona el botón START/PAUSE (INICIO/PAUSA) después de activar la función de bloqueo de los controles, no funciona ningún botón, excepto POWER (ENCENDIDO).
- Si se presiona un botón cuando los botones están bloqueados, la lámpara de "Control Lock (Bloqueo controles)" parpadea.

Pausa en la función de bloqueo de los controles

Cuando la puerta está bloqueada o los botones están bloqueados por la función de bloqueo de los controles, puede hacer una pausa en la función de bloqueo de los controles durante 1 minuto al mantener presionado el botón CONTROL LOCK (BLOQUEO CONTROLES) durante aproximadamente 3 segundos.

- Si pone en pausa el modo de bloqueo de los controles, el bloqueo de la puerta se libera durante 1 minuto para comodidad del usuario. Durante este tiempo, la lámpara de "Control Lock (Bloqueo controles)" parpadea.
- Si se abre la puerta transcurrido el minuto, suena una alarma durante 2 minutos.
- Si se cierra la puerta antes de transcurrir los 2 minutos, ésta se bloquea y la función de bloqueo de los controles se reactiva. Si se cierra la puerta después de transcurrir los 2 minutos, ésta no se bloquea automáticamente y la alarma no suena.

Desactivación de la función de bloqueo de los controles

Mantenga presionado el botón CONTROL LOCK (BLOQUEO CONTROLES) durante aproximadamente 6 segundos.

- Si se desactiva la función de bloqueo de los controles, la puerta se desbloquea y la lámpara de "Control Lock (Bloqueo controles)" se apaga.

ADVERTENCIA:

- La función de bloqueo de los controles impide que los niños o las personas discapacitadas pongan en funcionamiento la lavadora accidentalmente y se lesionen.
- Si un niño entra a la lavadora, puede quedar atrapado y asfixiarse.

ADVERTENCIA:

- Una vez activada la función de bloqueo de los controles, ésta continúa funcionando aunque la lavadora esté apagada.
- Abrir la puerta por la fuerza puede dañar el producto y causar lesiones personales.

NOTA: Para agregar ropa cuando la función de bloqueo de los controles está activada, primero se debe poner en pausa o desactivar dicha función.

NOTA: Si desea abrir la puerta de la lavadora cuando la función de bloqueo de los controles está activada:

- Ponga en pausa o desactive la función de bloqueo de los controles.
- Apague la lavadora y enciéndala de nuevo.

FUNCIONES ESPECIALES (CONT.)

CLEAN WASHER (LIMPIAR LAVADORA)



Clean Washer

Con el tiempo se pueden acumular residuos de detergente en el tambor que pueden provocar olores desagradables. El ciclo CLEAN WASHER (LIMPIAR LAVADORA) se ha diseñado especialmente para eliminar estos residuos mediante el uso de lejía y otros limpiadores diseñados específicamente para la limpieza de las lavadoras de carga frontal. El ciclo CLEAN WASHER (LIMPIAR LAVADORA) se debe ejecutar una vez al mes, o con más frecuencia si se ha utilizado mucho la lavadora o ésta huele mal.

1. Ponga en funcionamiento la lavadora y presione el botón CLEAN WASHER (LIMPIAR LAVADORA). Si selecciona cualquier otro ciclo tras seleccionar CLEAN WASHER (LIMPIAR LAVADORA), este ciclo de limpieza se cancelará.
2. Llene el dosificador de lejía hasta la marca MAX con lejía líquida que contenga cloro. No llene en exceso el dosificador de lejía. La lejía se podría dispensar inmediatamente.
3. Presione el botón START/PAUSE (INICIO/PAUSA) para iniciar el ciclo.
4. Una vez finalizado el ciclo, abra la puerta y deje que el tambor se seque completamente.

NOTA: NO utilice este ciclo con ropa; NO agregue detergente ni suavizante.

* Para limpiadores de tambor en polvo, agregue el limpiador en el compartimiento de lavado principal del cajón del dosificador. Ponga los limpiadores en tableta directamente dentro del tambor. Siga siempre las instrucciones y recomendaciones del fabricante.

MY CYCLE (MI CICLO)



My Cycle

Le permite activar el lavado a su medida (temperatura, centrifugado, nivel de suciedad, etc.) con la practicidad de presionar un sólo botón.

Al presionar el botón MY CYCLE (MI CICLO), activa las opciones usadas durante el modo Mi ciclo. La luz de "My Cycle (Mi ciclo)" indicará que está activo. Puede seleccionar todas las opciones en el modo Mi ciclo de la siguiente manera:

1. Seleccione el ciclo utilizando el Selector de ciclos.
2. Después de seleccionar el ciclo, elija una opción.
3. Puede almacenar el ciclo y las opciones presionando el botón START/PAUSE (INICIO/PAUSA) en el modo Mi ciclo. El ciclo y las opciones que seleccione aparecerán la próxima vez que elija la función Mi ciclo.

NOTA:

- Puede cambiar la configuración de esta función repitiendo el proceso descrito más arriba. La próxima vez que elija My Cycle (Mi ciclo), aparecerá la última configuración usada.
- Si ha completado el lavado en el modo My Cycle (Mi ciclo), la lavadora automáticamente accede a este modo cuando se enciende con el botón POWER (ENCENDIDO).

CUIDADO Y LIMPIEZA

⚠ ADVERTENCIA: Para reducir el riesgo de incendio, descarga eléctrica o lesiones personales, lea este manual en su totalidad, incluidas las instrucciones de seguridad importantes, antes de poner en funcionamiento la lavadora.

- Desenchufe la lavadora antes de la limpieza para evitar el riesgo de descargas eléctricas. Si no se sigue estas advertencias se pueden producir lesiones personales graves, un incendio, una descarga eléctrica o la muerte.
- Nunca utilice productos químicos fuertes, limpiadores abrasivos ni disolventes para limpiar la lavadora. Podría dañar el acabado.

LIMPIEZA PERIÓDICA

Limpeza del exterior

Cierre las llaves de agua después de finalizar el lavado del día.

Esto cerrará el suministro de agua a la lavadora y evitará la improbable posibilidad de que se produzcan daños a causa del derrame de agua. Deje la puerta abierta para permitir que el interior de la lavadora se seque. Use un paño suave para limpiar todo el detergente, la lejía u otros derrames a medida que ocurran.

Limpie lo siguiente tal como se recomienda:

Panel de control: limpie con un paño suave y húmedo. No use polvos abrasivos ni paños de limpieza. No rocíe el panel directamente con limpiadores en aerosol.

Gabinete: lave con agua y jabón.

Limpeza del interior

Limpie el interior de la lavadora periódicamente para eliminar todo vestigio de suciedad, polvo, olor, moho, hongos o bacterias que pueda permanecer en la lavadora como consecuencia del lavado de ropa.

El incumplimiento de estas instrucciones puede dar como resultado situaciones poco satisfactorias, tales como olores y/o manchas permanentes en la lavadora o en la ropa para lavar.

Se pueden retirar los depósitos de agua dura si fuera necesario. Use un limpiador con el rótulo "Washer safe" (Seguro para lavadoras).

Lea estas instrucciones atentamente antes de iniciar el ciclo CLEAN WASHER (LIMPIAR LAVADORA).

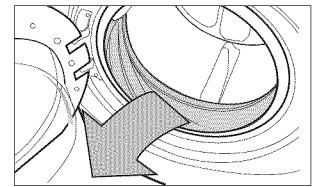
1. Abra la puerta y retire cualquier prenda del tambor.
2. Abra el cajón del dosificador. Agregue lejía líquida que contenga cloro o un limpiador de tambores.
Se pueden utilizar algunos limpiadores para tambores en polvo o en tabletas fabricados con este propósito.
(NOTA: No agregue detergente de lavado ni suavizante en el dosificador cuando se usa el ciclo CLEAN WASHER (LIMPIAR LAVADORA).)
 - Si se utiliza lejía líquida que contenga cloro
Agregue lejía que contenga cloro en el compartimiento para la lejía. (NOTA: No supere la marca de llenado máximo ni ponga lejía líquida sin diluir directamente en el tambor.)
 - Si se utiliza limpiador en polvo
Retire el medidor de detergente líquido y agregue el limpiador en polvo en el compartimiento de lavado principal del cajón del dosificador.
 - Si se utiliza limpiador en tableta
Agregue el limpiador en tableta directamente en el tambor.
(NOTA: No ponga el limpiador en tableta en el cajón dosificador.)
3. Cierre el cajón y la puerta de la lavadora.
4. Seleccione CLEAN WASHER (LIMPIAR LAVADORA) y presione START/PAUSE (INICIO/PAUSA).

NOTA: Se recomienda repetir el ciclo CLEAN WASHER (LIMPIAR LAVADORA) mensualmente. Si en la lavadora ya hay moho y olor a humedad, ejecute el ciclo CLEAN WASHER (LIMPIAR LAVADORA) 3 semanas consecutivas. Tras completar el ciclo CLEAN WASHER (LIMPIAR LAVADORA) o cuando la lavadora no se utilice, deje la puerta abierta para que se ventile y se seque el interior.

Limpeza del sello de la puerta

1. Abra la puerta de la lavadora y saque la ropa o cualquier otro objeto.

2. Inspeccione el sello/fuelle de color gris entre la apertura de la puerta y la canasta para buscar zonas manchadas. Hale el sello/fuelle para inspeccionar todas las áreas debajo del sello/fuelle y comprobar si hay objetos extraños.



3. Si hay manchas en el área del sello/fuelle, límpielas siguiendo este procedimiento.

- a) Mezcle una solución diluida de $\frac{3}{4}$ de taza (177 mL) de lejía líquida que contenga cloro y 1 gal. (3,8) de agua corriente tibia.
- b) Limpie el área del sello/fuelle con esta solución mediante un paño húmedo.
- c) Deje reposar durante 5 minutos.
- d) Limpie meticulosamente el área con un paño seco y deje la puerta abierta para que se seque el interior de la lavadora.

IMPORTANTE:

- Póngase guantes de goma cuando vaya a realizar una limpieza prolongada.
- Consulte las instrucciones del fabricante del blanqueador para un uso adecuado.

Cómo guardar la lavadora

Las lavadoras se pueden dañar si no se extrae el agua de las mangueras y de los componentes internos antes de guardarla.

Prepare la lavadora para guardar de la siguiente manera:

- Seleccione el ciclo Quick Wash (Lavado rápido) y agregue lejía al dosificador automático. Ejecute ese ciclo en la lavadora sin carga.
- Cierre las llaves de agua y desconecte las mangueras de entrada.
- Desenchufe la lavadora del tomacorriente y deje la puerta de la lavadora abierta para que circule aire por el tambor.
- Si su lavadora ha estado guardada en lugares con temperaturas por debajo del punto de congelación, deje transcurrir un tiempo para que los restos de agua se derritan antes de usarla.

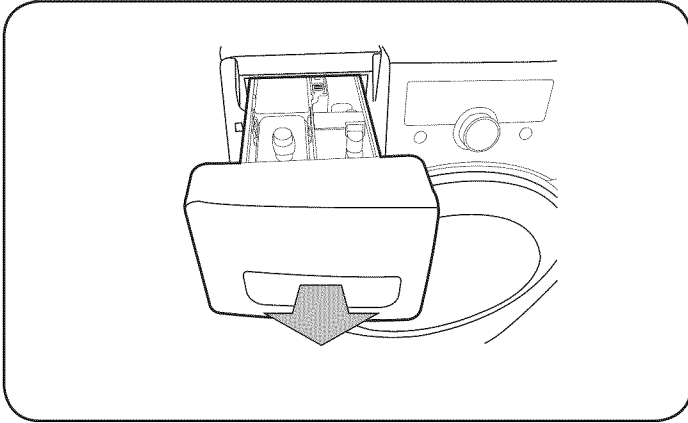
CUIDADO Y LIMPIEZA

LIMPIEZA PERIÓDICA (CONT.)

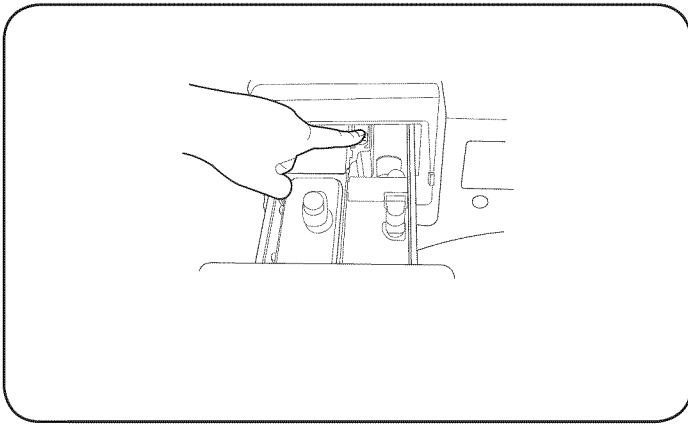
Limpieza del dosificador

Posiblemente, el dosificador automático necesite una limpieza periódica debido a la acumulación de aditivos del lavado.

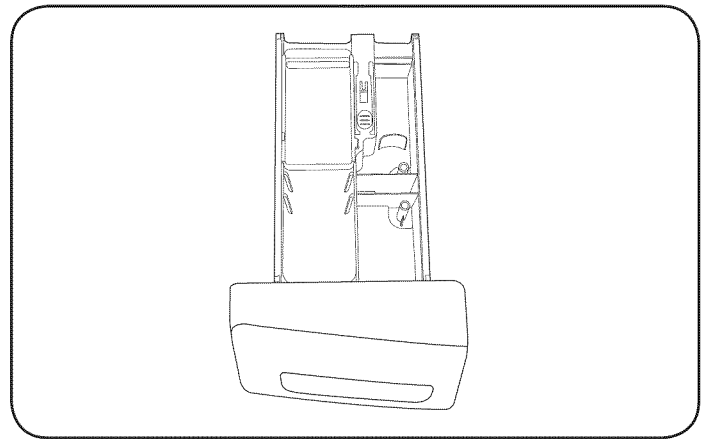
1. Extraiga el recipiente para el detergente líquido del compartimiento del detergente.



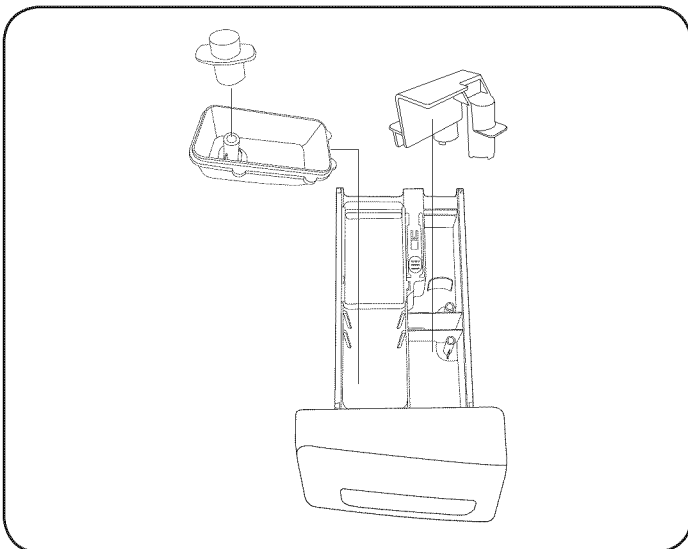
2. Retire la tapa del sifón de los compartimientos para el suavizante de telas y la lejía.



3. Lave todas las partes con agua corriente.
4. Limpie el hueco del dosificador con un cepillo suave.



5. Vuelva a colocar la tapa del sifón y ajústela con firmeza.
6. Introduzca de nuevo el dosificador en su sitio.
7. Ejecute un ciclo de enjuagado y centrifugado sin ninguna carga en la lavadora.



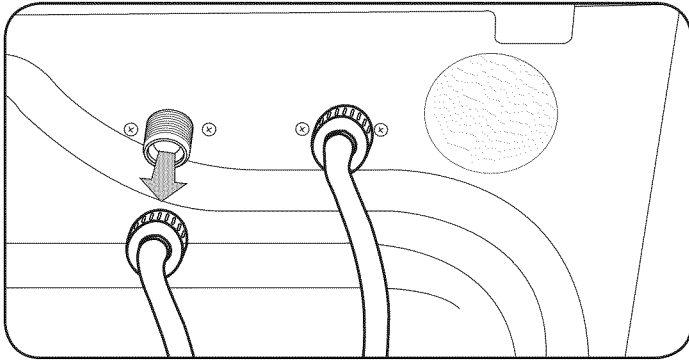
CUIDADO Y LIMPIEZA

MANTENIMIENTO

Limpieza de los filtros de entrada de agua

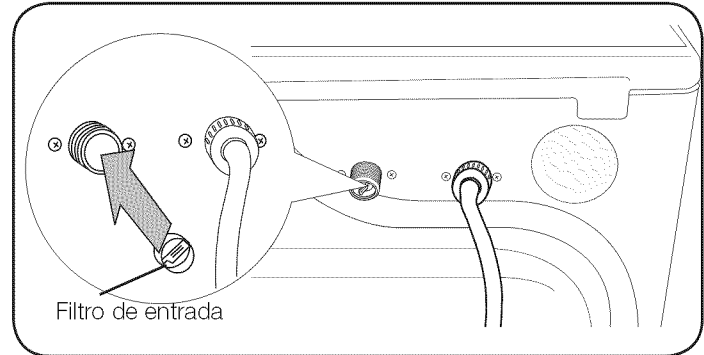
Si la lavadora detecta que no entra agua en el dosificador, el display muestra un mensaje de error. El filtro de la válvula de entrada se puede obstruir por la cal del agua dura, los sedimentos en el suministro del agua, la cal de las tuberías, etc.

NOTA: Los filtros de entrada protegen las partes delicadas de la válvula de llenado de los daños que pueden causar las partículas que vienen con el suministro del agua. El funcionamiento de la lavadora sin los filtros instalados puede causar una falla en la válvula, lo que podría provocar una inundación o daños en la propiedad.



1. Cierre completamente los grifos. Desenrosque las mangueras de agua caliente y fría de la parte posterior de la lavadora.

IMPORTANTE: Utilice SÓLO las mangueras de entrada proporcionadas junto con este producto. No se garantiza que otras mangueras se ajusten o funcionen correctamente. Otras mangueras puede que no ajusten correctamente y provoquen fugas de agua. La garantía del producto no cubre los subsiguientes daños al producto o la propiedad.



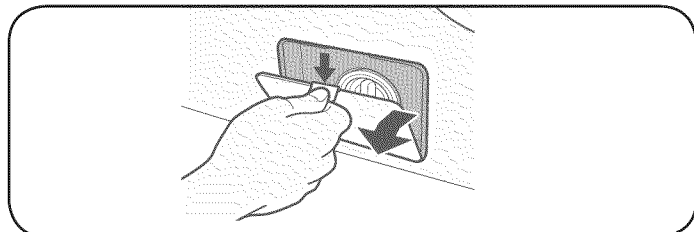
2. Retire cuidadosamente los filtros de las válvulas de agua y sumérjalos en vinagre blanco o un anticalcáreo, de acuerdo con las instrucciones del fabricante. Antes de volverlos a instalar enjuáguelos bien. Vuelva a poner los filtros en su lugar y conecte las mangueras.

MANTENIMIENTO (CONT.)

Limpieza del filtro de residuos

Recomendamos limpiar el filtro de residuos cuando el agua no drena correctamente o cuando aparece en el display el mensaje de error "nd".

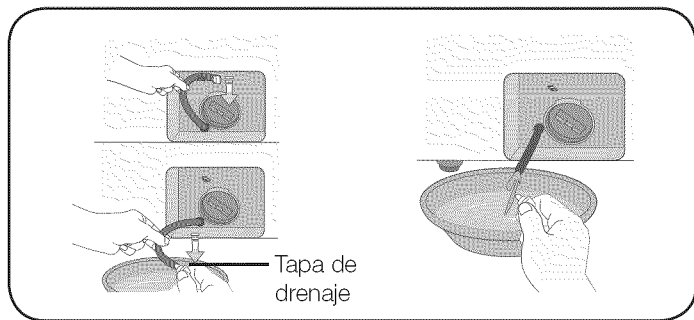
1. Abra la tapa del filtro presionando y tirando de la tapa del filtro con los dedos.



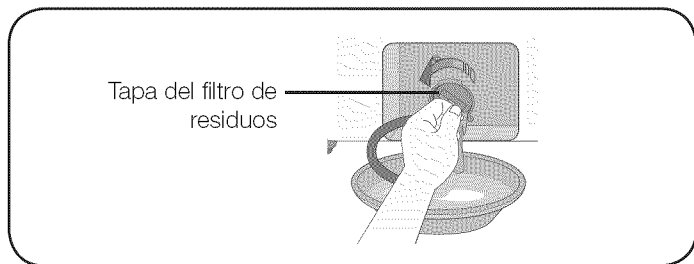
2. Sosteniendo la tapa del drenaje, tire del tubo de drenaje que está conectado al gancho guía en el frente. No tire del tubo de drenaje con demasiada fuerza.

3. Coloque un recipiente debajo de la lavadora para recuperar cualquier agua restante. Sostenga el tubo de drenaje con una mano y con la otra gire el tapón de drenaje de emergencia hacia la izquierda y sepárelo.

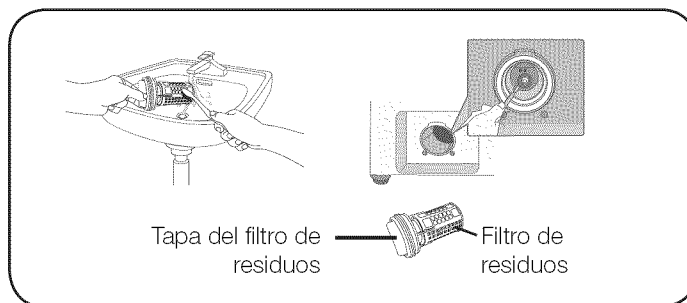
4. Drene el resto de agua por completo.



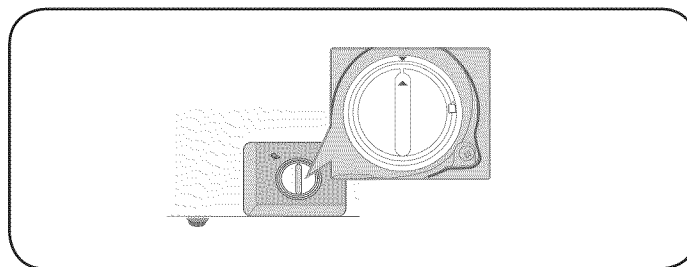
5. Saque el tapón y el conjunto del filtro de residuos.



6. Limpie la suciedad u otros materiales que hubieran quedado en el filtro de residuos. Asegúrese de que no esté bloqueada la bomba de drenaje ubicada detrás del filtro de residuos.



7. Una vez realizada la limpieza del filtro, inserte de nuevo el tapón y el conjunto del filtro de residuos en la lavadora. Gire el tapón del filtro de residuos en el sentido de las agujas del reloj hasta que el indicador del tapón del filtro de residuos se sitúe en la posición de las 12 horas; el indicador debe apuntar a la lavadora.



8. Vuelva a montar el tapón del desagüe de emergencia en el tubo de drenaje y cuelgue el tubo en el gancho guía.

9. Vuelva a instalar la tapa del filtro.

GUÍA DE SOLUCIÓN DE PROBLEMAS

SONIDOS NORMALES

Durante el funcionamiento de la lavadora se pueden oír los siguientes sonidos. Es algo normal.

Clics:

Bloqueo y desbloqueo de la puerta.

Sibilante:

Pulverización y circulación del agua durante el ciclo.

Traqueteo:

Giro del tambor en la rutina de balanceo en el ciclo de centrifugado.

Zumbido:

Bombeo del agua de drenaje al final de un ciclo.

Chapoteo:

Bamboleo de la ropa en el tambor durante los ciclos de lavado y enjuagado.

ANTES DE COMUNICARSE CON EL SERVICIO TÉCNICO

Esta lavadora está equipada con un sistema de supervisión de fallas para detectar y diagnosticar los problemas tempranamente. Si la lavadora no funciona adecuadamente o, sencillamente, no funciona, consulte la tabla siguiente antes de llamar al técnico de servicio.

PROBLEMA	SOLUCIÓN
no enciende...	<ul style="list-style-type: none"> • Asegúrese de que la puerta esté bien cerrada. • Verifique que la lavadora esté enchufada. • Asegúrese de que las llaves de agua estén abiertas. • Asegúrese de presionar el botón Start/Pause (Inicio/Pausa) para encender la lavadora. • Asegúrese de que la función Seguro para niños no esté activada. Consulte la página 14. • Antes de que la lavadora comience a llenarse, se escuchará una serie de sonidos semejantes a un "clic" para controlar la traba de la puerta y que se efectúe un drenaje rápido. • Controle el fusible o reinicie el disyuntor.
no tiene agua o no tiene suficiente agua...	<ul style="list-style-type: none"> • Abra las dos llaves completamente. • Asegúrese de que la puerta esté bien cerrada. • Enderece las mangueras de entrada de agua. • Desconecte las mangueras y limpie los filtros. Posiblemente los filtros de las mangueras estén tapados. • Abra y cierre la puerta y, a continuación, presione el botón Start/Pause (Inicio/Pausa).
hay detergente en el dosificador automático después de finalizar el ciclo de lavado.	<ul style="list-style-type: none"> • Asegúrese de que la lavadora funcione con suficiente presión de agua. • Asegúrese de que el disco selector de detergente se encuentre en la posición superior cuando usa detergente en polvo.
vibra o hace demasiado ruido.	<ul style="list-style-type: none"> • Compruebe que la lavadora esté ubicada sobre una superficie nivelada. Si la superficie no está nivelada, ajuste las patas de la lavadora para nivelar el electrodoméstico. • Asegúrese de que se hayan retirado los tornillos de transporte. • Asegúrese de que la lavadora no toque ningún otro objeto. • Verifique que la carga de ropa sea equilibrada.
se detiene	<ul style="list-style-type: none"> • Enchufe el cable de alimentación a un tomacorriente que funcione. • Controle el fusible o reinicie el disyuntor. • Cierra la puerta y presione el botón Start/Pause (Inicio/Pausa) para encender la lavadora. • Por su seguridad, la lavadora no lavará ni centrifugará salvo que la puerta esté cerrada. • Antes de que la lavadora comience a llenarse, se escuchará una serie de sonidos semejantes a un "clic" para controlar la traba de la puerta y que se efectúe un drenaje rápido. • Se puede producir una pausa o un período de remojo en el ciclo. Espere un instante para ver si comienza a funcionar. • Controle que los filtros de las mangueras de entrada a la altura de las llaves no presenten obstrucciones. Limpie los filtros periódicamente.

GUÍA DE SOLUCIÓN DE PROBLEMAS

ANTES DE COMUNICARSE CON EL SERVICIO TÉCNICO (CONT.)

PROBLEMA	SOLUCIÓN
se llena con agua a una temperatura incorrecta.	<ul style="list-style-type: none"> Abra las dos llaves completamente. Asegúrese de que la selección de temperatura sea la correcta. Asegúrese de que las mangueras estén conectadas a las llaves correctas. Purgue las cañerías. Controle el calentador de agua. Debería estar configurado para proveer agua caliente en la salida de agua a una temperatura mínima de 120 °F (49 °C). Asimismo, verifique la capacidad del calentador de agua y la velocidad de recuperación. Desconecte las mangueras y limpie los filtros. Posiblemente, los filtros de las mangueras estén tapados. A medida que la lavadora se llena, la temperatura del agua puede variar debido a que la función automática de control de la temperatura controla la temperatura del agua que ingresa. Esto es normal. Mientras la lavadora se llena, es posible que observe que por el dosificador pasa sólo agua caliente y/o sólo agua fría cuando se seleccionan las temperaturas de lavado fría o tibia. Ésta es una función normal que cumple el control de temperatura automático dado que la lavadora determina la temperatura del agua.
tiene la puerta trabada o no se abre.	<ul style="list-style-type: none"> Presione el botón Start/Pause (Inicio/Pausa) para detener la lavadora. La puerta de la lavadora permanecerá trabada durante la fase de calentamiento del ciclo Sanitize (Desinfección). Puede llevar algunos minutos que el mecanismo de cierre de la puerta se desconecte.
no drena y/o no centrifuga.	<ul style="list-style-type: none"> Controle el fusible o reinicie el disyuntor. Enderece las mangueras de drenaje. Elimine las mangueras enroscadas. Si existe alguna restricción en cuanto al drenaje, comuníquese con el servicio técnico. Cierre la puerta y presione el botón Start/Pause (Inicio/Pausa). Por su seguridad, la lavadora no lavará ni centrifugará salvo que la puerta esté cerrada. Compruebe que el filtro de residuos no esté obstruido.
deja la carga demasiado húmeda al finalizar el ciclo.	<ul style="list-style-type: none"> Use la velocidad de centrifugado Alta o Muy alta. Use un detergente de alta eficacia para reducir la formación de espuma en exceso. La carga es demasiado pequeña. Las cargas muy pequeñas (una o dos prendas) se pueden desequilibrar y no centrifugarse en absoluto.
pierde agua.	<ul style="list-style-type: none"> Asegúrese de que la puerta esté bien cerrada. Asegúrese de que todas las conexiones de las mangueras estén ajustadas. Asegúrese de que el extremo de la manguera de drenaje esté correctamente conectado y asegurado al sistema de drenaje. Evite sobrecargar la lavadora. Use un detergente de alta eficacia para evitar la formación de espuma en exceso.
tiene espuma en exceso.	<ul style="list-style-type: none"> Use un detergente de alta eficacia para evitar la formación de espuma en exceso. Reduzca la cantidad de detergente para el agua blanda, las cargas ligeramente sucias o pequeñas. NO se recomienda un detergente de baja eficacia.

Códigos de información

SÍMBOLO DEL CÓDIGO	SIGNIFICADO	SOLUCIÓN
SUD	<p>Detectó demasiada espuma durante la sesión de lavado.</p> <p>La unidad ingresará en estado de espera hasta que disminuya la espuma. A continuación, la unidad volverá a funcionar.</p> <p>Cuando termine el lavado, por su parte, los códigos End y Sd se iluminarán.</p>	<p>Ejecute el ciclo Clean Washer (Limpiar lavadora).</p> <p>Como prevención, reduzca la cantidad de detergente.</p>
dc	<p>Un desequilibrio en la carga impidió que la lavadora centrifugara.</p>	<p>Redistribuya la carga y presione el botón Start/Pause (Inicio/Pausa).</p>

GUÍA DE SOLUCIÓN DE PROBLEMAS

ANTES DE COMUNICARSE CON EL SERVICIO TÉCNICO (CONT.)

d5	La puerta está abierta cuando la lavadora está en funcionamiento.	Cierre la puerta firmemente y reinicie el ciclo. Si el código vuelve a aparecer, comuníquese con el servicio técnico.
FL	No se logra cerrar la puerta de la lavadora.	Cierre la puerta firmemente y reinicie el ciclo. Si el código vuelve a aparecer, comuníquese con el servicio técnico.
Hr	Problema con el control de la temperatura del agua. (Problema con el control del calentador.)	Comuníquese con el servicio técnico.
LE	La lavadora intentó llenarse, pero no alcanzó el nivel de agua adecuado.	Comuníquese con el servicio técnico.
LO	La puerta no se puede abrir.	Asegúrese de que la puerta esté bien cerrada. Presione el botón Power (Encendido) para apagar la lavadora y, a continuación, vuélvala a encender. Si el código vuelve a aparecer, comuníquese con el servicio técnico.
E3	El motor no funciona correctamente.	Reinicie el ciclo presionando el botón Start/Pause (Inicio/Pausa). Si el código vuelve a aparecer, comuníquese con el servicio técnico.
nd	La lavadora no está drenando. También puede significar que la unidad percibe una pequeña obstrucción mientras drena.	Antes de comunicarse con el servicio técnico, verifique lo siguiente: 1. Apague la unidad y vuélvala a encender. 2. Seleccione sólo el ciclo Spin (Centrifugado). 3. Presione Start/Pause (Inicio/Pausa) para que el agua drene. 4. Limpie el filtro de residuos. Si no dreña, comuníquese con el servicio técnico.
nf	La lavadora intentó llenarse pero no lo logró.	Asegúrese de que las llaves de agua estén completamente abiertas. Controle que no haya mangueras enroscadas. Controle los filtros interiores de las mangueras de carga.
	Verifique si la manguera de suministro de agua caliente está conectada.	Se debe conectar la manguera de suministro de agua caliente ya que si la temperatura del agua fría es inferior a 59 °F la función de control automático de la temperatura (A.T.C) suministra agua caliente.
nFl	La conexión de la manguera de agua caliente/fría no es correcta.	Conecte la manguera de agua caliente/fría correctamente.
PF	El servicio eléctrico se interrumpió cuando la lavadora estaba en funcionamiento.	Reinicie el ciclo presionando el botón Start/Pause (Inicio/Pausa).
OE	Se detecta una falla en el sensor del nivel de agua.	Comuníquese con el servicio técnico.
E2	Tecla atascada.	Comuníquese con el servicio técnico.
6E	Problema con el sensor de la velocidad del motor.	Reinicie el ciclo. Si el código vuelve a aparecer, comuníquese con el servicio técnico.
7E	Problema con el sensor de temperatura.	Reinicie el ciclo. Si el código vuelve a aparecer, comuníquese con el servicio técnico.
3E	Se detectó alta corriente.	Reinicie el ciclo. Si el código vuelve a aparecer, comuníquese con el servicio técnico.
2E	Se detectó alto/bajo voltaje.	Reinicie el ciclo. Llame a un electricista para comprobar si hay problemas eléctricos en el domicilio antes de llamar al servicio técnico. Si el código vuelve a aparecer, comuníquese con el servicio técnico.

GARANTÍA

Garantía limitada Kenmore

Si se han seguido unas pautas de instalación, funcionamiento y mantenimiento del producto de acuerdo con las instrucciones suministradas, en caso de detectar fallas en este aparato debidas a defectos de material y mano de obra ocurridas en el plazo de un año a partir de la fecha de compra, llame al 1-800-4-MY-HOME® para repararlas sin coste alguno.

Si este electrodoméstico se ha utilizado para un propósito distinto al doméstico, esta garantía se aplica sólo hasta 90 días a partir de la fecha de la compra.

Esta garantía cubre sólo defectos de los materiales y la mano de obra. Sears NO correrá con los gastos de:

1. Elementos consumibles desgastados por uso normal, incluidos, aunque no con carácter taxativo, filtros, correas, bombillas de luz y bolsas.
2. Un técnico de servicio para instruir al usuario sobre la correcta instalación, funcionamiento o mantenimiento del producto.
3. Un servicio técnico de limpieza o mantenimiento del producto.
4. Daños o fallas del producto si no se han seguido unas pautas de instalación, funcionamiento y mantenimiento de acuerdo con las instrucciones suministradas con el producto.
5. Daños o fallas del producto derivados de accidentes, abusos, uso incorrecto o uso distinto para el propósito al que está destinado.
6. Daños o fallas del producto causados por el uso de detergentes, limpiadores, productos químicos o utensilios distintos a los recomendados en las instrucciones suministradas con el producto.
7. Daños o fallas en las piezas del sistema derivados de modificaciones no autorizadas hechas en el producto.

Responsabilidad limitada de la garantías implicadas; limitación de reparación

Es única y exclusiva reparación del cliente bajo esta garantía limitada el arreglo del producto como se establece en la presente garantía. Las garantías implicadas, incluidas las de aptitud para la venta o para fines específicos, se limitan a un año o al periodo más corto permitido por la ley. Sears no será responsable de daños imprevistos o derivados. Algunos estados o provincias no permiten la exclusión o limitación de daños imprevistos o derivados, o la limitación de la duración de garantías limitadas de aptitud para la venta o fines específicos, en cuyo caso las limitaciones o exclusiones antedichas pueden no aplicarse en su caso.

Esta garantía se aplica sólo si el electrodoméstico se utiliza en Estados Unidos o Canadá.

Esta garantía le otorga derechos legales específicos, y asimismo puede que tenga otros derechos que varían según el Estado en el que se encuentre.

Sears Brands Management Corporation, Hoffman Estates, IL 60179

Sears Canada Inc., Toronto, Ontario, Canada M5B 2B8

NOTA

Get it fixed, at your home or ours!

Your Home

For troubleshooting, product manuals and home solutions advice:



www.managemylife.com

For repair – **in your home** – of **all** major brand appliances, lawn and garden equipment, or heating and cooling systems, **no matter who made it, no matter who sold it!**

For the replacement parts, accessories and owner's manuals that you need to do-it-yourself.

For Sears professional installation of home appliances and items like garage door openers and water heaters.

1-800-4-MY-HOME[®] (1-800-469-4663)

Call anytime, day or night (U.S.A. and Canada)

www.sears.com www.sears.ca

Our Home

For repair of carry-in items like vacuums, lawn equipment, and electronics, call anytime for the location of your nearest

Sears Parts & Repair Service Center

1-800-488-1222 (U.S.A.)

www.sears.com

1-800-469-4663 (Canada)

www.sears.ca

To purchase a protection agreement on a product serviced by Sears:

1-800-827-6655 (U.S.A.)

1-800-361-6665 (Canada)

Para pedir servicio de reparación a domicilio, y para ordenar piezas:

1-888-SU-HOGAR[®]

(1-888-784-6427)

www.sears.com

Au Canada pour service en français:

1-800-LE-FOYER^{MC}

(1-800-533-6937)

www.sears.ca

Sears

® Registered Trademark / ™ Trademark of KCD IP, LLC in the United States, or Sears Brands, LLC in other countries

® Marca Registrada / ™ Marca de Fábrica de KCD IP, LLC en Estados Unidos, o Sears Brands, LLC in otros países

^{MC} Marque de commerce / ^{MD} Marque déposée de Sears Brands, LLC