

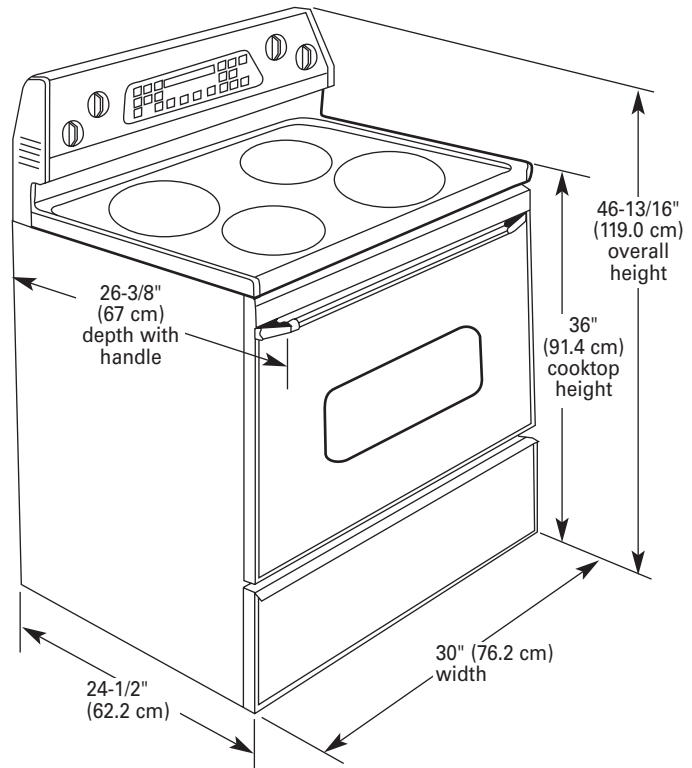
KitchenAid® 30" Freestanding Electric Range

PRODUCT MODEL NUMBERS

KERC500G	KERC507H
KERC500H	KERI500G
KERC505G	KERS505G
KERC506H	KERS507G
KERC507G	

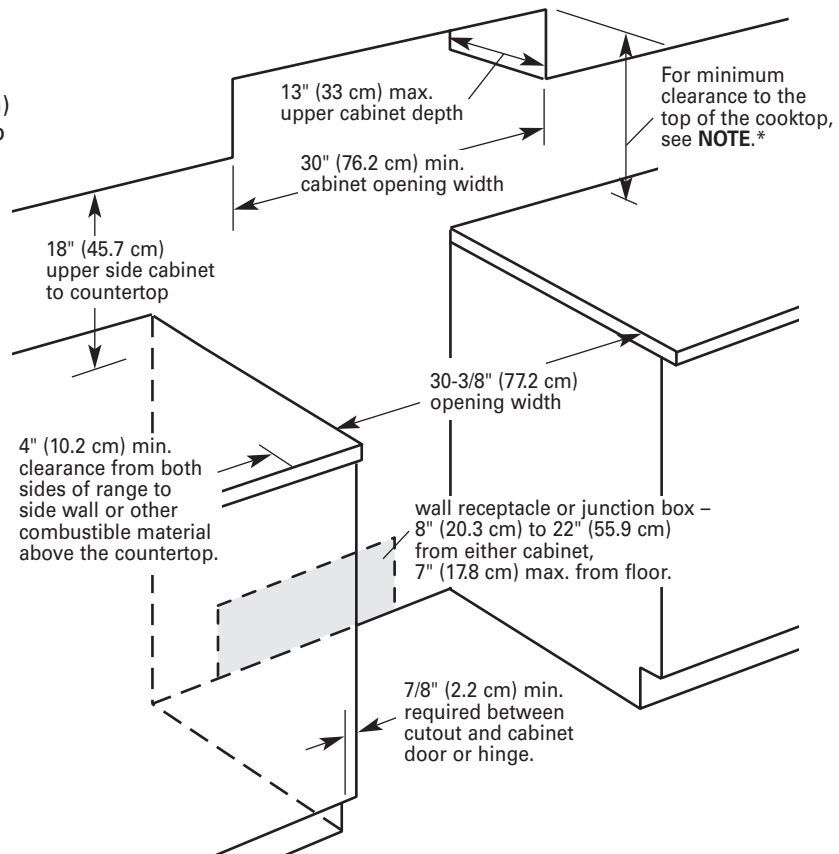
Electrical: Use 8 gauge copper or 6 gauge aluminum wire. A four-wire or three-wire, single-phase, 120/240-volt, 60-Hz, AC-only, electrical supply is required on a 40 amp maximum circuit, (or, if specified on the model/serial rating plate, a four-wire or three-wire, single-phase 120/208-volt, 60 Hz, AC-only electrical supply is available, a 40 amp maximum circuit), fused on both sides of the line. A time-delay fuse or circuit breaker is recommended. The model/serial rating plate is located on the oven frame behind the storage drawer.

OVERALL DIMENSIONS



CABINET OPENING DIMENSIONS

Cabinet opening dimensions shown are for: 25" (63.5 cm) countertop depth, 24" (61.0 cm) base cabinet depth, 36" (91.4 cm) countertop height



***NOTE:** 24" (61 cm) min. when bottom of wood or metal cabinet is protected by not less than 1/4" (6.4 mm) flame retardant millboard covered with not less than No. 28 MSG sheet steel, 0.015" (0.4 mm) stainless steel, 0.024" (0.6 mm) aluminum or 0.020" (0.5 mm) copper.

30" (76.2 cm) min. clearance between the top of the cooking platform and the bottom of an unprotected wood or metal cabinet.