

GAS DRYER INSTALLATION INSTRUCTIONS CANADIAN ELECTRIC DRYER INSTRUCTIONS

INSTRUCTIONS POUR L'INSTALLATION DE LA SÈCHEUSE À GAZ (É.U. ET CANADA) ÉLECTRIQUE (CANADA UNIQUEMENT)

Para una version de estas instrucciones en español, visite www.Whirlpool.com

Table of Contents

DRYER SAFETY	2
INSTALLATION REQUIREMENTS.....	4
Tools and Parts	4
LOCATION REQUIREMENTS.....	5
ELECTRIC DRYER POWER HOOKUP-CANADA ONLY	6
GAS DRYER POWER HOOKUP	7
INSTALL LEVELING LEGS.....	9
MAKE GAS CONNECTION.....	9
VENTING.....	10
Venting Requirements.....	10
Plan Vent System.....	12
Install Vent System.....	11
CONNECT INLET HOSE.....	12
CONNECT VENT.....	14
LEVEL DRYER.....	14
COMPLETE INSTALLATION CHECKLIST.....	15
DOOR REVERSAL (OPTIONAL).....	16

Table des matières

SÉCURITÉ DE LA SÈCHEUSE	19
EXIGENCES D'INSTALLATION	21
Outillage et pièces	21
EXIGENCES D'EMPLACEMENT	22
SÈCHEUSE ÉLECTRIQUE RACCORDEMENT À L'ALIMENTATION ÉLECTRIQUE - CANADA SEULEMENT.....	24
RACCORDEMENT D'UNE SÈCHEUSE À GAZ	25
INSTALLATION DES PIEDS DE NIVELLEMENT	27
INSTRUCTIONS POUR LE RACCORDEMENT AU GAZ	27
SYSTÈME D'ÉVACUATION.....	28
Exigences concernant l'évacuation	28
Planification du système d'évacuation	29
Installation du conduit d'évacuation	30
RACCORDEMENT DES TUYAUX D'ALIMENTATION	31
RACCORDEMENT DU CONDUIT D'ÉVACUATION	33
RÉGLAGE DE L'APLOMB DE LA SÈCHEUSE.....	33
ACHEVER L'INSTALLATION LISTE DE VÉRIFICATION.....	34
INVERSION DE LA PORTE (FACULTATIF).....	34

INSTALLATION NOTES

Date of purchase: _____
Date of installation: _____
Installer: _____
Model number: _____
Serial number: _____

NOTES CONCERNANT L'INSTALLATION

Date d'achat: _____
Date d'installation: _____
Installateur: _____
Numéro de modèle: _____
Numéro de série: _____

DRYER SAFETY

Your safety and the safety of others are very important.

We have provided many important safety messages in this manual and on your appliance. Always read and obey all safety messages.



This is the safety alert symbol.

This symbol alerts you to potential hazards that can kill or hurt you and others.

All safety messages will follow the safety alert symbol and either the word "DANGER" or "WARNING."

These words mean:

! DANGER

You can be killed or seriously injured if you don't immediately follow instructions.

! WARNING

You can be killed or seriously injured if you don't follow instructions.

All safety messages will tell you what the potential hazard is, tell you how to reduce the chance of injury, and tell you what can happen if the instructions are not followed.



WARNING - "Risk of Fire"

- Clothes dryer installation must be performed by a qualified installer.
- Install the clothes dryer according to the manufacturer's instructions and local codes.
- Do not install a clothes dryer with flexible plastic venting materials. If flexible metal (foil type) duct is installed, it must be of a specific type identified by the appliance manufacturer as suitable for use with clothes dryers. Flexible venting materials are known to collapse, be easily crushed, and trap lint. These conditions will obstruct clothes dryer airflow and increase the risk of fire.
- To reduce the risk of severe injury or death, follow all installation instructions.
- Save these instructions.

WARNING: For your safety, the information in this manual must be followed to minimize the risk of fire or explosion, or to prevent property damage, personal injury, or death.

- Do not store or use gasoline or other flammable vapors and liquids in the vicinity of this or any other appliance.
- **WHAT TO DO IF YOU SMELL GAS:**
 - Do not try to light any appliance.
 - Do not touch any electrical switch; do not use any phone in your building.
 - Clear the room, building, or area of all occupants.
 - Immediately call your gas supplier from a neighbor's phone. Follow the gas supplier's instructions.
 - If you cannot reach your gas supplier, call the fire department.
- Installation and service must be performed by a qualified installer, service agency, or the gas supplier.

WARNING: Gas leaks cannot always be detected by smell.

Gas suppliers recommend that you use a gas detector approved by UL or CSA.

For more information, contact your gas supplier.

If a gas leak is detected, follow the "What to do if you smell gas" instructions.

IMPORTANT: The gas installation must conform with local codes, or in the absence of local codes, with the National Fuel Gas Code, ANSI Z223.1/NFPA 54 or the Canadian Natural Gas and Propane Installation Code, CSA B149.1.

The dryer must be electrically grounded in accordance with local codes, or in the absence of local codes, with the National Electrical Code, ANSI/NFPA 70 or Canadian Electrical Code, CSA C22.1.

In the State of Massachusetts, the following installation instructions apply:

- Installations and repairs must be performed by a qualified or licensed contractor, plumber, or gasfitter qualified or licensed by the State of Massachusetts.
- If using a ball valve, it shall be a T-handle type.
- A flexible gas connector, when used, must not exceed 3 feet.

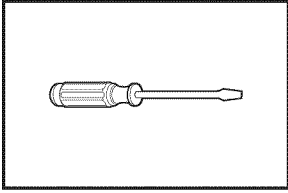
IMPORTANT: When discarding or storing your old clothes dryer, remove the door.

INSTALLATION REQUIREMENTS

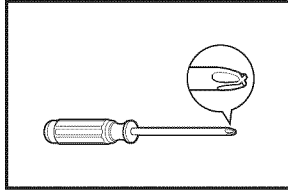
TOOLS AND PARTS

Gather the required tools and parts before starting installation.

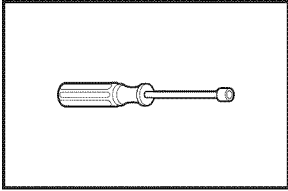
Tools needed for all installations:



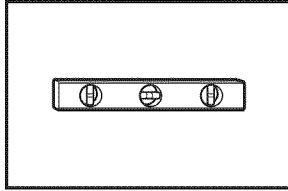
Flat-blade screwdriver



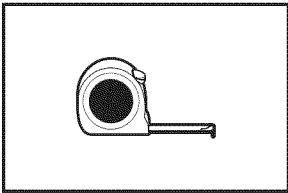
#2 Phillips screwdriver



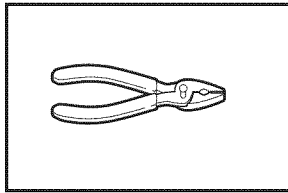
1/4" nut driver
(recommended)



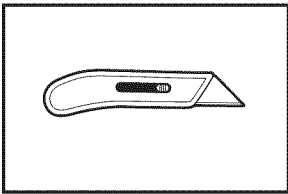
Level



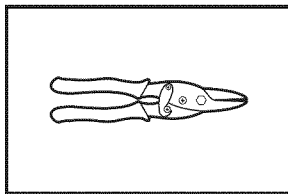
Tape measure



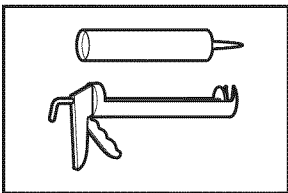
Pliers



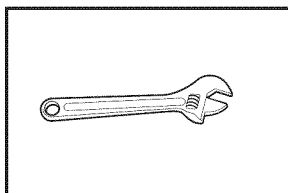
Utility knife



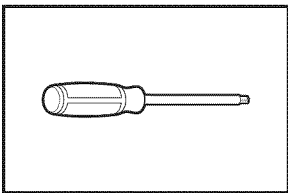
Tin snips (new vent
installations)



Caulking gun and compound
(new vent installations)

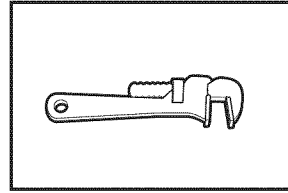


Adjustable wrench that
opens to 1" (25 mm) or
hex-head socket wrench

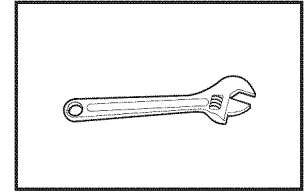


Min. 8" long Torx® T25
screwdriver
(for door reversal only)

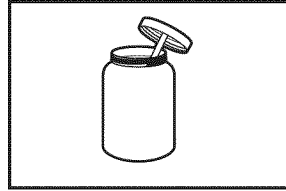
Tools needed for gas installations:



8" or 10" pipe wrench



8" or 10" adjustable wrench
(for gas connections)

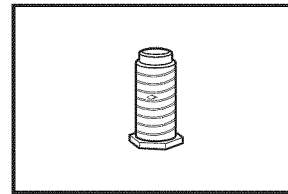


Pipe-joint compound
resistant to LP gas

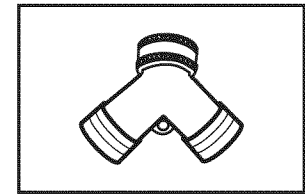
Parts supplied:

Parts package is located in dryer drum. Check that all parts are included.

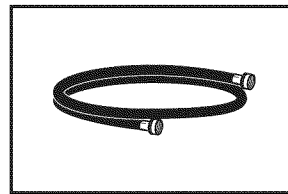
NOTE: Do not use leveling legs supplied with dryer if installing on a pedestal.



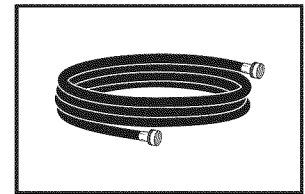
Leveling legs (4)



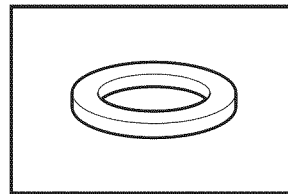
"Y" connector



Short inlet hose



Long inlet hose



Rubber washers

Parts needed: (Not supplied with dryer)


- Vent clamps
- Vent elbows and ductwork

Additional parts may be required, depending in your installation. Check local codes. Check existing electrical supply and venting. See "Electrical Requirements" and "Venting Requirements" before purchasing parts.

Optional Equipment: (Not supplied with dryer)
 Refer to your Use and Care Guide for information about accessories available for your dryer.

LOCATION REQUIREMENTS

⚠ WARNING



Explosion Hazard

Keep flammable materials and vapors, such as gasoline, away from dryer.

Place dryer at least 18 inches (460 mm) above the floor for a garage installation.

Failure to do so can result in death, explosion, or fire.

You will need:

- A location allowing for proper exhaust installation. See "Venting Requirements."
- A separate 15 or 20 amp circuit for a gas dryer or 30 amp circuit for an electric dryer.
- If using power supply cord, a grounded electrical outlet located within 2 ft. (610 mm) of either side of dryer. See "Electrical Requirements."
- Floor must support dryer weight of 200 lbs. (90.7 kg). Also consider weight of companion appliance.
- Cold water faucets located within 4 ft. (1.2 m) of the water fill valves, and water pressure of 20-100 psi (137.9-689.6 kPa). You may use the water supply for your washer using the "Y" connector and short hose (if needed) which are provided.
- 20-100 psi (138-690 kPa) for best performance.
- Level floor with maximum slope of 1" (25 mm) under entire dryer. If slope is greater than 1" (25 mm), install Extended Dryer Feet Kit, Part Number 279810. If not level, clothes may not tumble properly and automatic sensor cycles may not operate correctly.
- For garage installation, place dryer at least 18" (460 mm) above floor. If using a pedestal, you will need 18" (460 mm) to bottom of dryer.
- The dryer must not be installed or stored in an area where it will be exposed to water and/or weather.

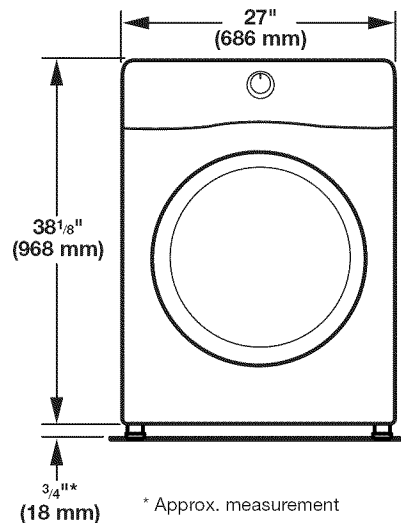
For each arrangement, consider allowing more space for ease of installation and servicing; spacing for companion appliances and clearances for walls, doors, and floor moldings. Space must be large enough to allow door to fully open. Add spacing on all sides of dryer to reduce noise transfer. If a closet door or louvered door is installed, top and bottom air openings in door are required.

Check code requirements. Some codes limit, or do not permit, installation of the dryer in garages, closets, mobile homes, or sleeping quarters. Contact your local building inspector.

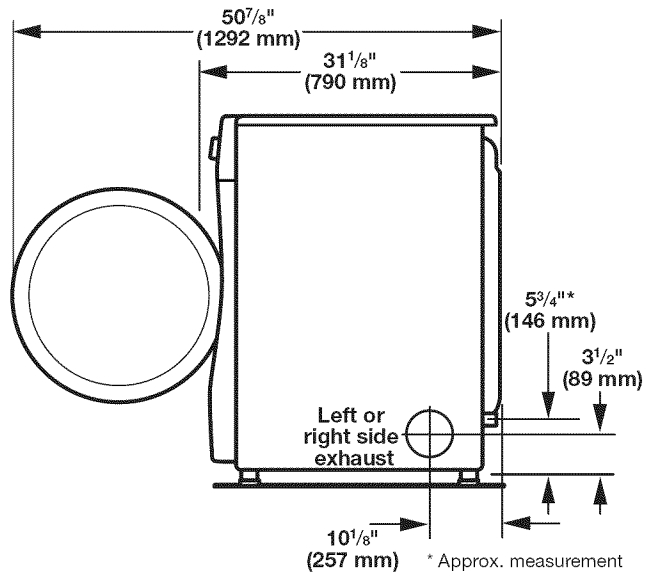
NOTE: No other fuel-burning appliance can be installed in the same closet as a dryer.

DRYER DIMENSIONS

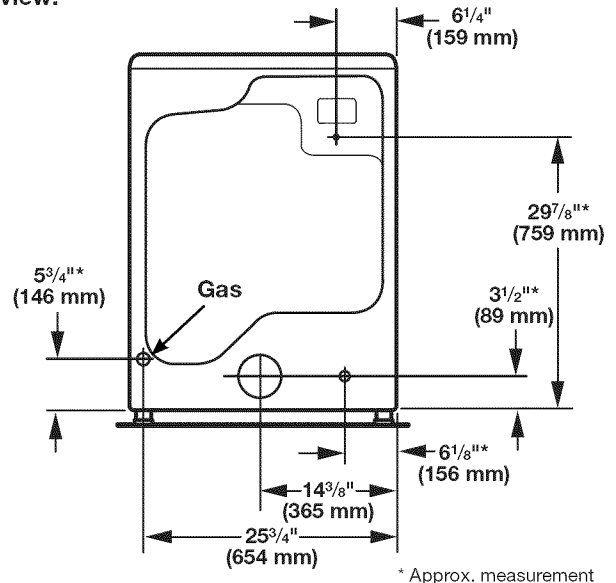
Front view:



Side view:



Back view:



NOTE: Most installations require a minimum of 5" (127 mm) clearance behind dryer for exhaust vent with elbow. See "Venting Requirements."

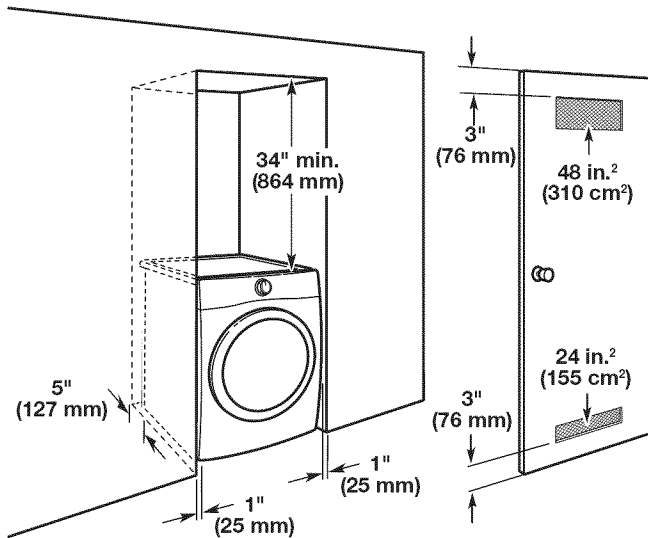
IMPORTANT: Do not operate, install, or store dryer where it will be exposed to water, weather, or at temperatures below 45° F (7° C). Lower temperatures may cause dryer not to shut off at end of automatic sensor cycles, resulting in longer drying times.

Installation spacing for recessed area or closet installation

All dimensions show recommended spacing allowed, with tested spacing of 0" (0 mm) clearance on sides and rear.

- Additional spacing should be considered for ease of installation and servicing.
- Additional clearances might be required for wall, door, and floor moldings.
- Additional spacing should be considered on all sides of the dryer to reduce noise transfer.
- For closet installation, with a door, minimum ventilation openings in the top and bottom of the door are required. Louvered doors with equivalent ventilation openings are acceptable.
- Companion appliance spacing should also be considered.

Closet installation (dryer only):



Mobile home - Additional installation requirements:

This dryer is suitable for mobile home installations. The installation must conform to the Manufactured Home Construction and Safety Standard, Title 24 CFR, Part 3280 (formerly the Federal Standard for Mobile home construction and Safety, Title 24, HUD Part 280) or Standard CAN/CSA-Z240 MH.

Mobile home installations require:


- Metal exhaust system hardware, available for purchase from your dealer. For further information, see "Assistance or Service" section in your Use and Care Guide.
- Special provisions must be made in mobile homes to introduce outside air into dryer. Openings (such as a nearby window) should be at least twice as large as dryer exhaust opening.

For mobile home installation of gas dryers:

- Mobile Home Installation Hold-down Kit Part Number 346764 is available to order. For further information, see "Assistance or Service" section in your Use and Care Guide.

**ELECTRIC DRYER
POWER HOOKUP- CANADA ONLY
ELECTRICAL REQUIREMENTS**

⚠ WARNING



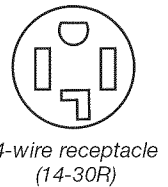
Electrical Shock Hazard

Plug into a grounded 4 prong outlet.

Failure to do so can result in death or electrical shock.

It is your responsibility:

- To contact a qualified electrical installer.
- To be sure that the electrical connection is adequate and in conformance with Canadian Electrical Code, C22.1-latest edition and all local codes. A copy of above codes standard may be obtained from: Canadian Standards Association, 178 Rexdale Blvd., Toronto, ON M9W 1R3 CANADA.
- To supply the required 4 wire, single phase, 120/240 volt, 60 Hz, AC only electrical supply on a separate 30-amp circuit, fused on both sides of the line. A time-delay fuse or circuit breaker is recommended. Connect to an individual branch circuit.
- This dryer is equipped with a CSA International Certified Power Cord intended to be plugged into a standard 14-30R wall receptacle. The cord is 5 ft. (1.52 m) long. Be sure wall receptacle is within reach of dryer's final location.



If using a replacement power supply cord, it is recommended that you use Power Supply Cord Replacement Part Number 9831317.

For further information, please reference service numbers located in "Assistance or Service" section of your Use and Care Guide.

GROUNDING INSTRUCTIONS

- For a grounded, cord-connected dryer:
This dryer must be grounded. In the event of malfunction or breakdown, grounding will reduce the risk of electric shock by providing a path of least resistance for electric current. This dryer is equipped with a cord having an equipment-grounding conductor and a grounding plug. The plug must be plugged into an appropriate outlet that is properly installed and grounded in accordance with all local codes and ordinances.

WARNING: Improper connection of the equipment-grounding conductor can result in a risk of electric shock. Check with a qualified electrician or service representative or personnel if you are in doubt as to whether the dryer is properly grounded. Do not modify the plug provided with the dryer: if it will not fit the outlet, have a proper outlet installed by a qualified electrician.

SAVE THESE INSTRUCTIONS

GAS DRYER POWER HOOKUP

ELECTRICAL REQUIREMENTS

WARNING



Electrical Shock Hazard

Plug into a grounded 3 prong outlet.

Do not remove ground prong.

Do not use an adapter.

Do not use an extension cord.

Failure to follow these instructions can result in death, fire, or electrical shock.

- 120 Volt, 60 Hz, AC only, 15- or 20- amp fused electrical supply is required. A time-delay fuse or circuit breaker is recommended. It is also recommended that a separate circuit serving only this dryer be provided.

GROUNDING INSTRUCTIONS

- For a grounded, cord-connected dryer:
This dryer must be grounded. In the event of malfunction or breakdown, grounding will reduce the risk of electric shock by providing a path of least resistance for electric current. This dryer is equipped with a cord having an equipment-grounding conductor and a grounding plug. The plug must be plugged into an appropriate outlet that is properly installed and grounded in accordance with all local codes and ordinances.

WARNING: Improper connection of the equipment-grounding conductor can result in a risk of electric shock. Check with a qualified electrician or service representative or personnel if you are in doubt as to whether the dryer is properly grounded. Do not modify the plug provided with the dryer: if it will not fit the outlet, have a proper outlet installed by a qualified electrician.

SAVE THESE INSTRUCTIONS

GAS SUPPLY REQUIREMENTS

WARNING



Explosion Hazard

Use a new CSA International approved gas supply line.

Install a shut-off valve.

Securely tighten all gas connections.

If connected to LP, have a qualified person make sure gas pressure does not exceed 13" (330 mm) water column.

Examples of a qualified person include:

**licensed heating personnel,
authorized gas company personnel, and
authorized service personnel.**

Failure to do so can result in death, explosion, or fire.

GAS TYPE

Natural Gas:

This dryer is equipped for use with Natural gas. It is design-certified by CSA International for LP (propane or butane) gases with appropriate conversion.

- Your dryer must have the correct burner for the type of gas in your home. Burner information is located on the rating plate in the door well of your dryer. If this information does not agree with the type of gas available, contact your dealer or call the phone numbers referenced in the "Assistance or Service" section of your Use and Care Guide.

LP Gas Conversion:

IMPORTANT: Conversion must be made by a qualified technician.

No attempt shall be made to convert the appliance from the gas specified on the model/serial rating plate for use with a different gas without consulting your gas company.

GAS SUPPLY LINE

Option 1 (Recommended Method)

Flexible stainless steel gas connector:

- If local codes permit, use a new flexible stainless steel gas connector (Design Certified by the American Gas Association or CSA International) to connect your dryer to the rigid gas supply line. Use an elbow and a 3/8" flare x 3/8" NPT adapter fitting between the stainless steel gas connector and the dryer gas pipe, as needed to prevent kinking.

Option 2 (Alternate Method)

Approved aluminum or copper tubing:

- Must include 1/8" NPT minimum plugged tapping accessible for test gauge connection, immediately upstream of the gas connection to the dryer. See illustration.
- 1/2" IPS pipe is recommended.
- 3/8" approved aluminum or copper tubing is acceptable for lengths under 20 ft. (6.1 m) if local codes and gas supplier permit.
- If you are using Natural gas, do not use copper tubing.
- Lengths over 20 ft. (6.1 m) should use larger tubing and a different size adapter fitting.
- If your dryer has been converted to use LP gas, 3/8" LP compatible copper tubing can be used. If the total length of the supply line is more than 20 ft. (6.1 m), use larger pipe.

NOTE: Pipe-joint compounds that resist the action of LP gas must be used. Do not use TEFLON[†] tape.

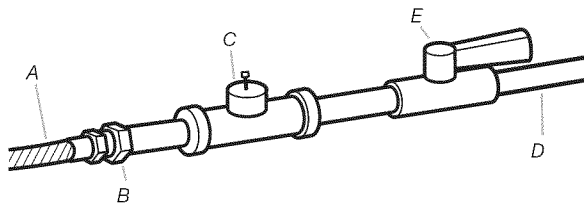
- Must include shut-off valve

In the U.S.A.:

An individual manual shut-off valve must be installed within six (6) ft. (1.8 m) of the dryer in accordance with the National Fuel Gas Code, ANSI Z223.1. The location should be easy to reach for opening and closing.

In Canada:

An individual manual shut-off valve must be installed in accordance with the B149.1, Natural Gas and Propane Installation Code. It is recommended that an individual manual shutoff valve be installed within six (6) ft. (1.8 m) of the dryer. The location should be easy to reach for opening and closing.



- A. 3/8" flexible gas connector
- B. 3/8" pipe to flare adapter fitting
- C. 1/8" NPT minimum plugged tapping
- D. 1/2" NPT gas supply line
- E. Gas shutoff valve.

GAS SUPPLY CONNECTION REQUIREMENTS

- Use an elbow and a 3/8" flare x 3/8" NPT adapter fitting between the flexible gas connector and the dryer gas pipe, as needed to avoid kinking.
- Use only pipe-joint compound. Do not use TEFLON[†] tape.
- This dryer must be connected to the gas supply line with a listed flexible gas connector that complies with the standard for connectors for gas appliances, ANSI Z21.24 or CSA 6.10.

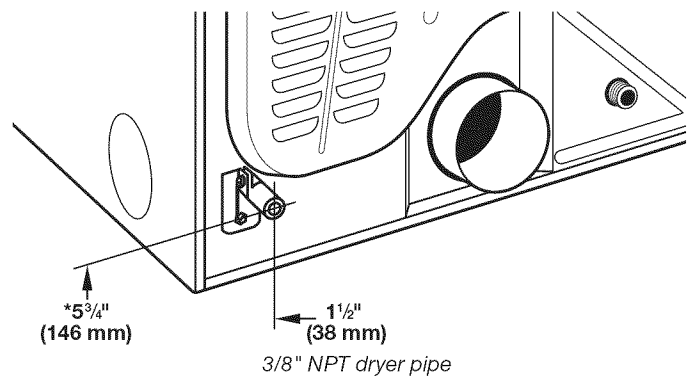
BURNER INPUT REQUIREMENTS

Elevations above 2,000 ft. (610 m):

- When installed above 2,000 ft. (610 m) a 4% reduction of the burner Btu rating shown on the model/serial number plate is required for each 1,000 ft. (305 m) increase in elevation.

Gas supply pressure testing

- The dryer must be disconnected from the gas supply piping system during pressure testing at pressures greater than 1/2 psi.



DRYER GAS PIPE

- The gas pipe that comes out through the rear of your dryer has a 3/8" male pipe thread.
- * **NOTE:** If the dryer is mounted on a pedestal, the gas pipe height must be an additional 10" (254 mm) or 15.5" (394 mm) from the floor, depending on the pedestal model. For a garage installation, the gas pipe height must be an additional 18" (460 mm) from the floor.

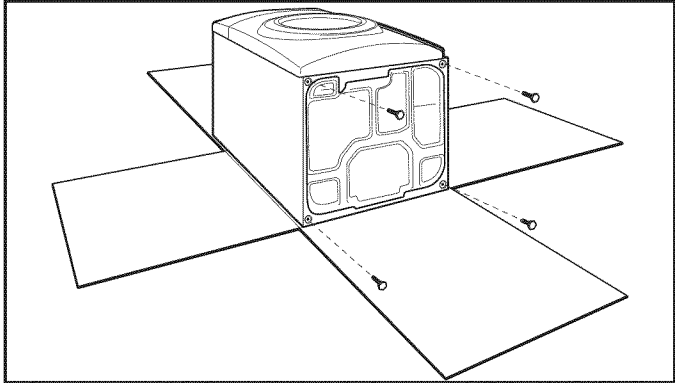
INSTALL LEVELING LEGS

⚠ WARNING

Excessive Weight Hazard

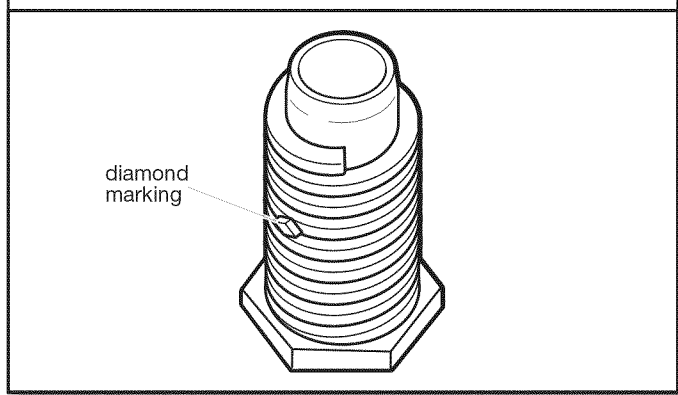
Use two or more people to move and install dryer.
Failure to do so can result in back or other injury.

1. Prepare dryer for leveling legs



To avoid damaging floor, use a large flat piece of cardboard from dryer carton; place under entire back edge of dryer. Firmly grasp dryer body (not console panel) and gently lay dryer down on cardboard.

2. Screw in leveling legs

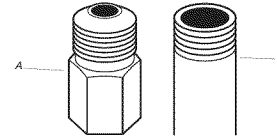


Examine leveling legs, find diamond marking. Screw legs into leg holes by hand, use a wrench to finish turning legs until diamond marking is no longer visible.

Place a carton corner post from dryer packaging under each of the 2 dryer back corners. Stand the dryer up. Slide the dryer on the corner posts until it is close to its final location. Leave enough room to connect the exhaust vent.

MAKE GAS CONNECTION

1. Connect gas supply to dryer

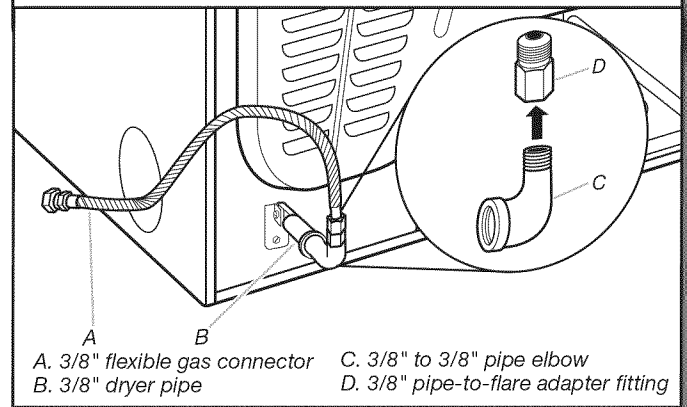


A. Flared male fitting
B. Non-flared male fitting

Remove red cap from gas pipe. Using a wrench to tighten, connect gas supply to dryer. Use pipe-joint compound on threads of all non-flared male fittings. If flexible metal tubing is used, be sure there are no kinks.

NOTE: For LP gas connections, you must use pipe-joint compound resistant to action of LP gas. Do not use TEFLON[†] tape.

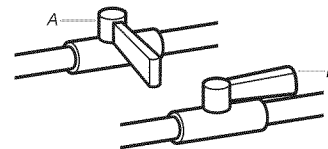
2. Plan pipe fitting connection



A. 3/8" flexible gas connector
B. 3/8" dryer pipe
C. 3/8" to 3/8" pipe elbow
D. 3/8" pipe-to-flare adapter fitting

A combination of pipe fittings must be used to connect dryer to existing gas line. A recommended connection is shown. Your connection may be different, according to supply line type, size, and location.

3. Open shut-off valve



A. Closed valve
B. Open valve


Open shut-off valve in supply line; valve is open when handle is parallel to gas pipe. Then, test all connections by brushing on an approved noncorrosive leak-detection solution. Bubbles will show a leak. Correct any leak found.

[†]TEFLON is a registered trademark of E.I. DuPont De Nemours and Company.

VENTING

Venting Requirements

⚠ WARNING



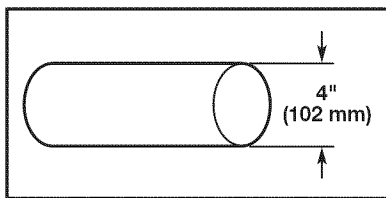
Fire Hazard

- Use a heavy metal vent.**
- Do not use a plastic vent.**
- Do not use a metal foil vent.**

Failure to follow these instructions can result in death or fire.

WARNING: To reduce the risk of fire, this dryer MUST BE EXHAUSTED OUTDOORS.

IMPORTANT: Observe all governing codes and ordinances. Dryer exhaust must not be connected into any gas vent, chimney, wall, ceiling, attic, crawlspace, or a concealed space of a building. Only rigid or flexible metal vent shall be used for exhausting.



4" (102 mm) heavy metal exhaust vent

- Only a 4" (102 mm) heavy metal exhaust vent and clamps may be used.
- Do not use plastic or metal foil vent.

Rigid metal vent:

- Recommended for best drying performance and to avoid crushing and kinking.

Flexible metal vent: (Acceptable only if accessible to clean)

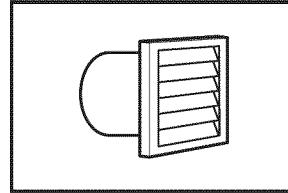
- Must be fully extended and supported in final dryer location.
- Remove excess to avoid sagging and kinking that may result in reduced airflow and poor performance.
- Do not install in enclosed walls, ceilings, or floors.
- The total length should not exceed 7³/₄ ft. (2.4 m).

NOTE: If using an existing vent system, clean lint from entire length of the system and make sure exhaust hood is not plugged with lint. Replace plastic or metal foil vents with rigid metal or flexible metal vents. Review Vent system chart and if necessary, modify existing vent system to achieve best drying performance.

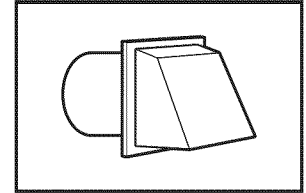
Exhaust hoods:

- An exhaust hood should cap the vent to keep rodents and insects from entering the home.
- Must be at least 12" (305 mm) from ground or any object that may obstruct exhaust (such as flowers, rocks, bushes, or snow).
- Do not use an exhaust hood with a magnetic latch.

Recommended Styles:

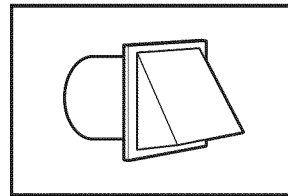


Louvered Hood



Box Hood

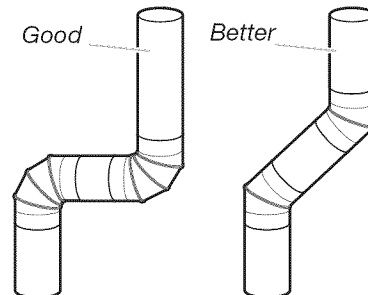
Acceptable Style:



Angled Hood

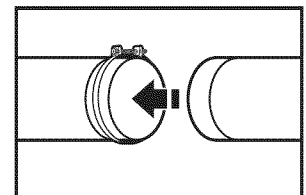
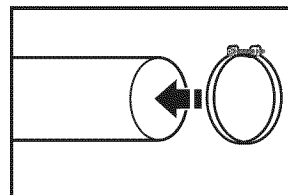
Elbows:

- 45° elbows provide better airflow than 90° elbows.



Clamps:

- Use clamps to seal all joints.
- Exhaust vent must not be connected or secured with screws or other fastening devices that extend into interior of duct and catch lint. Do not use duct tape.



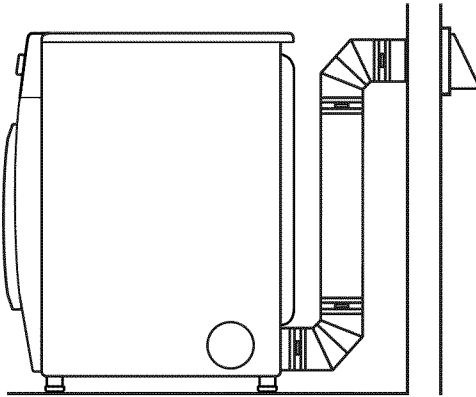
Improper venting can cause moisture and lint to collect indoors, which may result in:

- Moisture damage to woodwork, furniture, paint, wallpaper, carpets, etc.
- Housecleaning problems and health problems.

Plan Vent System

Choose your exhaust installation type

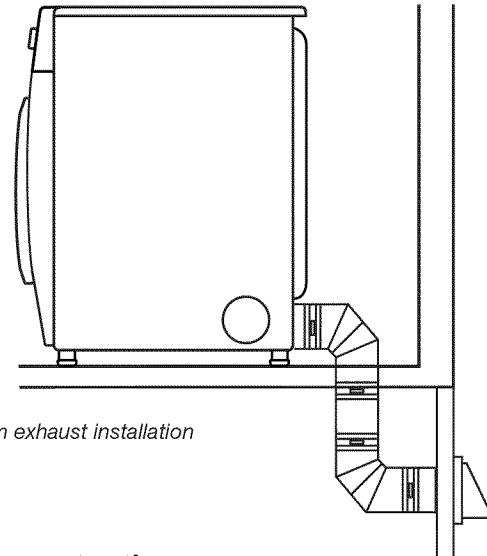
Recommended exhaust installation:



Standard rear exhaust installation

Special provisions for mobile homes:


Exhaust vent must be securely fastened to a noncombustible portion of mobile home and must not terminate beneath the mobile home. Terminate exhaust vent outside.



Bottom exhaust installation

Optional exhaust installations:

⚠ WARNING



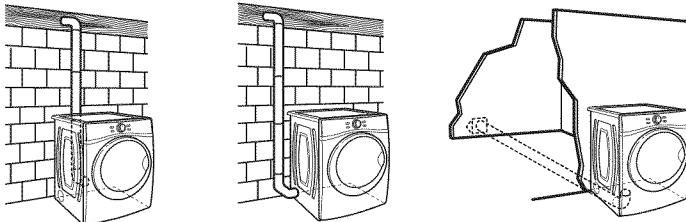
Fire Hazard

Cover unused exhaust holes with a manufacturer's exhaust cover kit.

Contact your local dealer.

Failure to follow these instructions can result in death, fire, electrical shock, or serious injury.

Exhaust can be converted out the right side, left side, or through the bottom (4-way vent kit, part number W10337804). Each kit includes step-by-step instructions.



Determine vent path:

- Select route that will provide straightest and most direct path outdoors.
- Plan installation to use fewest number of elbows and turns.
- When using elbows or making turns, allow as much room as possible.
- Bend vent gradually to avoid kinking.
- Use as few 90° turns as possible.

Determine vent length and elbows needed for best drying performance:

- Use following Vent system chart to determine type of vent material and hood combinations acceptable to use.

NOTE: Do not use vent runs longer than those specified in Vent system chart.

Exhaust systems longer than those specified will:

- Shorten life of dryer.
- Reduce performance, resulting in longer drying times and increased energy usage.

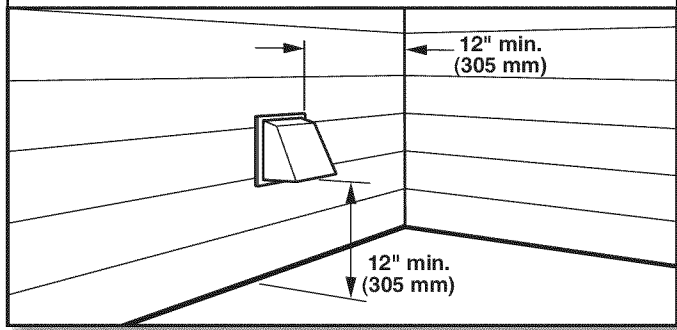
The Vent system chart provides venting requirements that will help achieve best drying performance.

NOTE: Side and bottom exhaust installation have a 90° turn inside the dryer. To determine maximum exhaust length, add a 90° turn to the total number of elbows when referencing the chart.

Vent system chart			
Number of 90° elbows	Type of vent	Box/louvered hoods	Angled hoods
0	Rigid metal	64 ft. (20 m)	58 ft. (17.7 m)
1	Rigid metal	54 ft. (16.5 m)	48 ft. (14.6 m)
2	Rigid metal	44 ft. (13.4 m)	38 ft. (11.6 m)
3	Rigid metal	35 ft. (10.7 m)	29 ft. (8.8 m)
4	Rigid metal	27 ft. (8.2 m)	21 ft. (6.4 m)

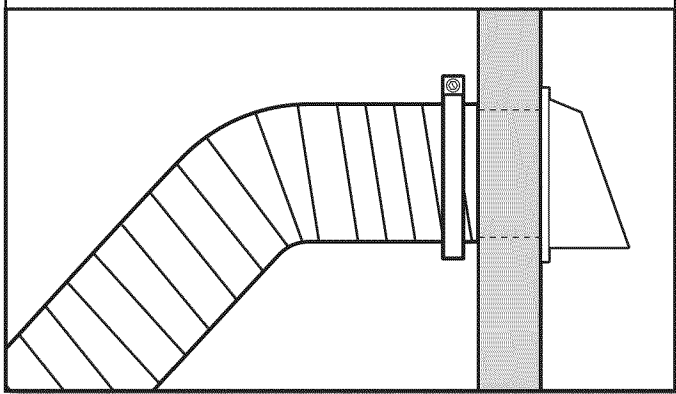
Install Vent System

1. Install exhaust hood



Install exhaust hood and use caulking compound to seal exterior wall opening around exhaust hood.

2. Connect vent to exhaust hood

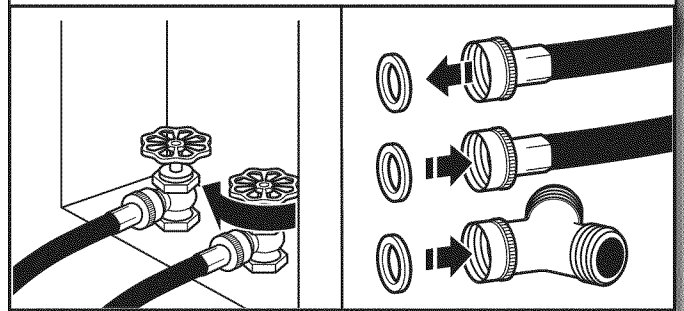


Vent must fit over the exhaust hood. Secure vent to exhaust hood with 4" (102 mm) clamp. Run vent to dryer location using straightest path possible. Avoid 90° turns. Use clamps to seal all joints. Do not use duct tape, screws, or other fastening devices that extend into interior of vent to secure vent, because they can catch lint.

CONNECT INLET HOSE

The dryer must be connected to the cold water faucet using the new inlet hoses. Do not use old hoses.

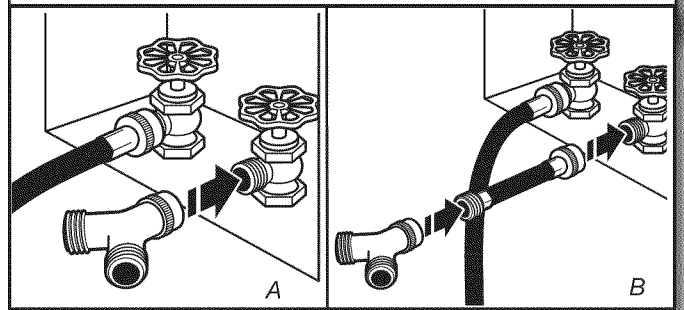
1. Turn cold water off, remove and replace rubber washer



Turn cold water faucet off and remove washer inlet hose.

Check and see if rubber washer is in the "Y" connector. Remove old rubber washer from inlet hose and replace with new rubber washer provided.

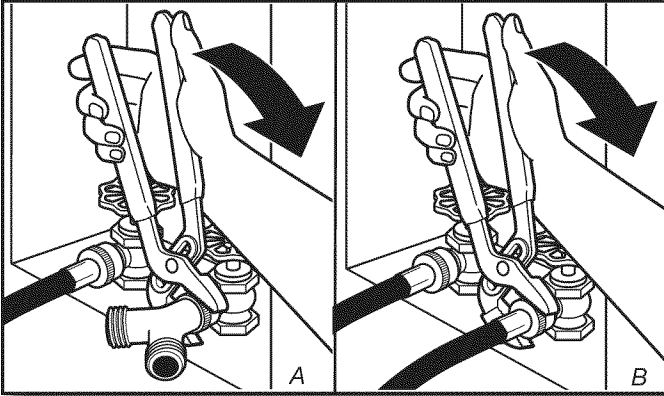
2. Attach short hose and "Y" connector



If space permits, attach the brass female end of the "Y" connector to the cold water faucet. See figure A.

If "Y" connector cannot be attached directly to the cold water faucet, the short hose must be used. See figure B. Attach short hose to cold water faucet. Screw on coupling by hand until it is seated on faucet. Then attach "Y" connector to brass male end of the short hose. Screw on coupling by hand until it is seated on connector.

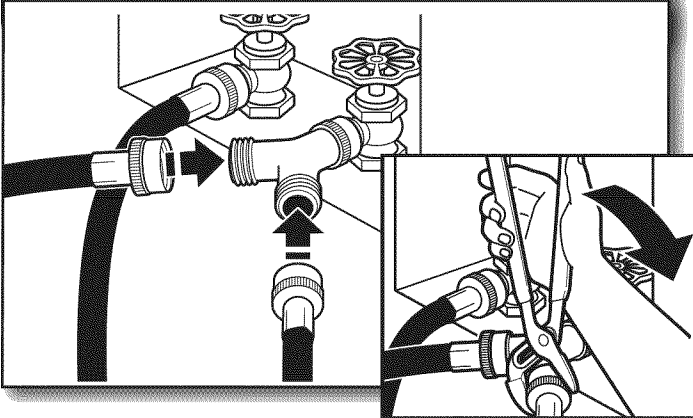
3. Tighten couplings



Using pliers, tighten the couplings with additional two-thirds turn.

NOTE: Do not overtighten. Damage to the coupling can result.

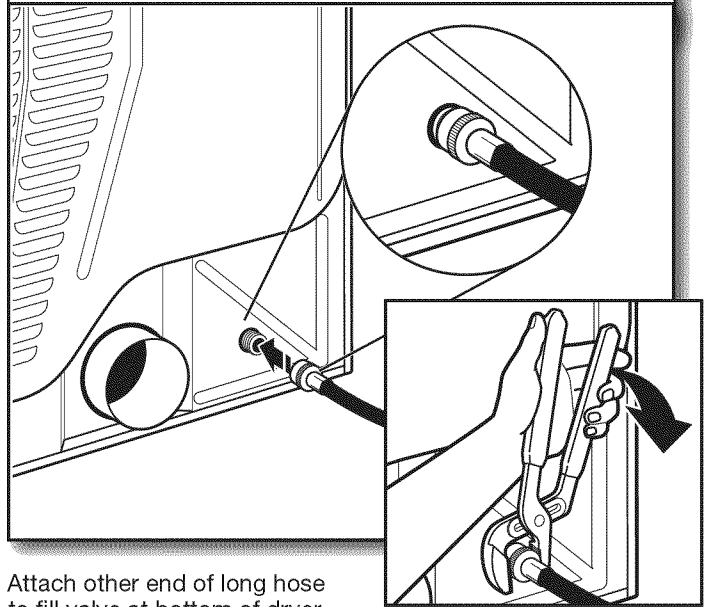
4. Attach long hose to “Y” connector and tighten couplings



One end of the long hose has a wire mesh strainer inside the coupling. Attach this end to the “Y” connector. Attach washer cold inlet hose to other side of “Y” connector. Screw on coupling by hand until it is seated on connector. Using pliers, tighten the couplings an additional two-thirds turn.

NOTE: Do not overtighten. Damage to the coupling can result.

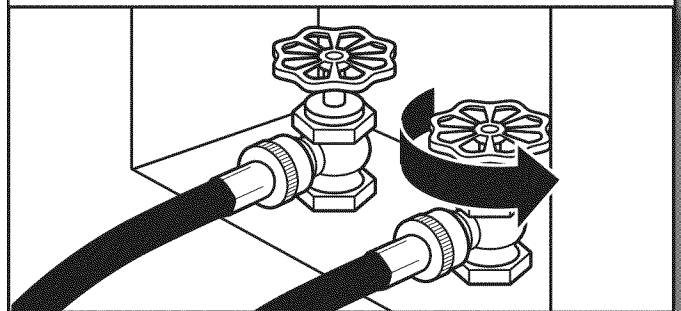
5. Attach long hose to dryer fill valve and tighten coupling



Attach other end of long hose to fill valve at bottom of dryer back panel. Screw on coupling by hand until it is seated on fill valve connector. Using pliers, tighten the couplings an additional two-thirds turn.

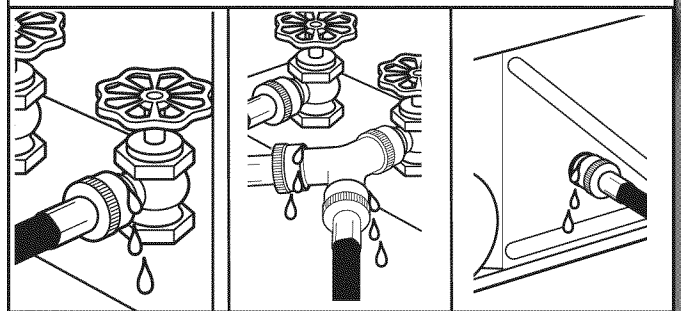
NOTE: Do not overtighten. Damage to the coupling can result.

6. Turn on cold water faucet



Check that the water faucets are turned on.

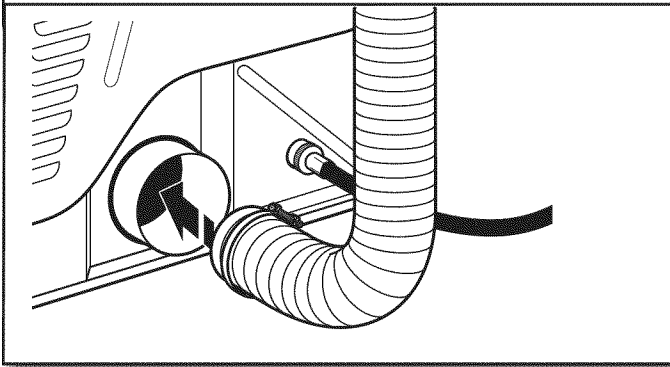
7. Check for leaks



Check for leaks around “Y” connector, faucet, and hoses.

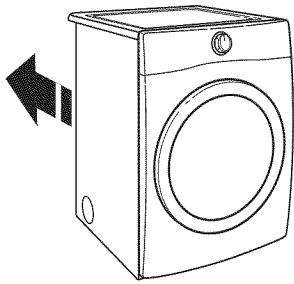
CONNECT VENT

1. Connect vent to exhaust outlet



Using a 4" (102 mm) clamp, connect vent to exhaust outlet in dryer. If connecting to existing vent, make sure vent is clean. Dryer vent must fit over dryer exhaust outlet and inside exhaust hood. Check that vent is secured to exhaust hood with a 4" (102 mm) clamp.

2. Move dryer to final location

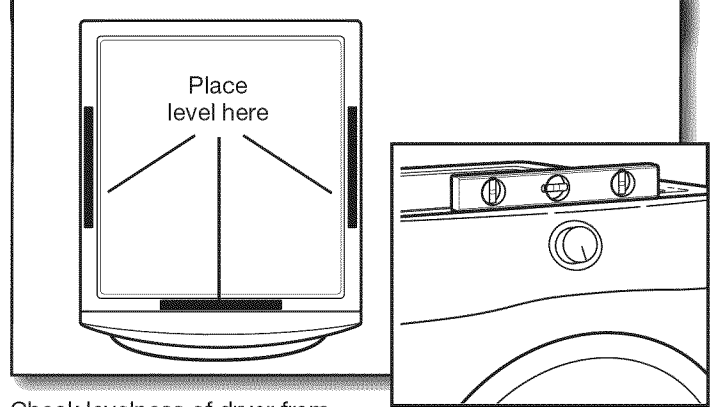


Move dryer to final location, taking care not to crush or kink vent.

After dryer is in place, remove corner posts and cardboard from under dryer.

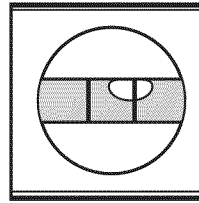
LEVEL DRYER

1. Level Dryer

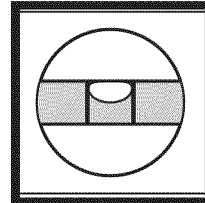


Check levelness of dryer from side to side. Repeat from front to back.

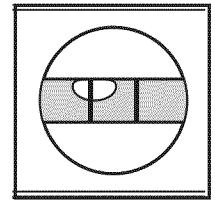
NOTE: The dryer must be level for the moisture sensing system to operate correctly



Not Level

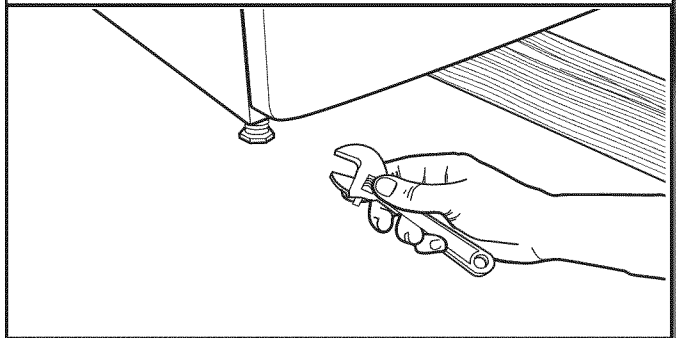


LEVEL



Not Level

2. Tighten and adjust leveling legs



If dryer is not level, prop up using a wood block, use wrench to adjust legs up or down, and check again for levelness. Once legs are level, make sure all four legs are snug against the floor before tightening them.

COMPLETE INSTALLATION CHECKLIST

- Check that all parts are now installed. If there is an extra part, go back through steps to see what was skipped.
- Check that you have all of your tools.
- Dispose of/recycle all packaging materials.
- Be sure the water faucets are on.
- Check for leaks around “Y” connector, faucet, and hoses.
- Check dryer’s final location. Be sure vent is not crushed or kinked.
- Check that dryer is level. See “Level Dryer”.
- Remove film on console and any tape remaining on dryer.
- Wipe dryer drum interior thoroughly with a damp cloth to remove any dust.
- Read “Dryer Use” in your Use and Care Guide.
- If you live in a hard water area, use of a water softener is recommended to control the buildup of scale through the water system in the dryer. Over time, the buildup of lime scale may clog different parts of the water system, which will reduce product performance. Excessive scale buildup may lead to the need for certain part replacement or repair.

Electric Models

- Plug into a grounded outlet.

Gas Models

- Check that gas supply is on.
- Check for leaks.

All Models:

- Select a Timed Dry heated cycle, and start dryer. Do not select Air Only Temperature setting.

If dryer will not start, check the following:

- Start button has been pressed firmly.
- Dryer is plugged into an outlet and/or electrical supply is connected.
- Household fuse is intact and tight, or circuit breaker has not tripped.
- Dryer door is closed.

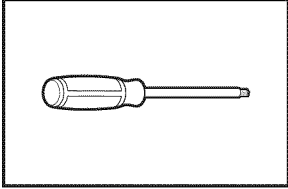
This dryer automatically runs an installation diagnostic routine at the start of its first cycle.

NOTE: You may notice an odor when dryer is first heated. This odor is common when heating element is first used. The odor will go away.

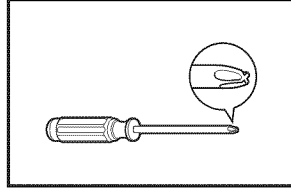
DOOR REVERSAL (OPTIONAL)

The following instructions are for models with a round-shaped door. For models with a square shaped door, an additional kit is needed. Please contact your retailer, or see "For Assistance or Service" in your Use and Care Guide.

Tools needed:

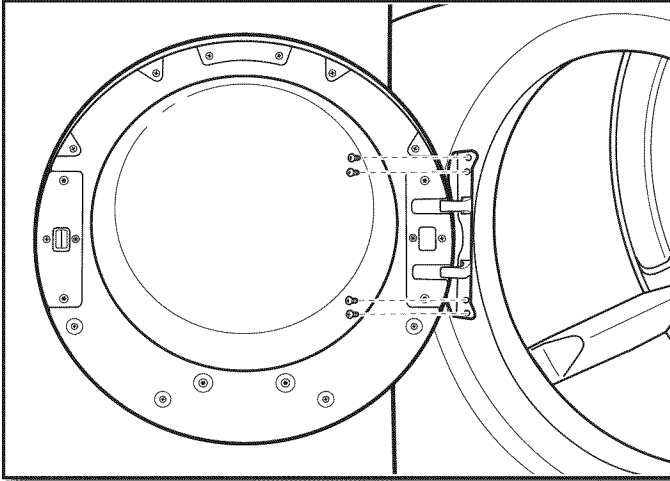


Min. 8" long Torx® T25 screwdriver



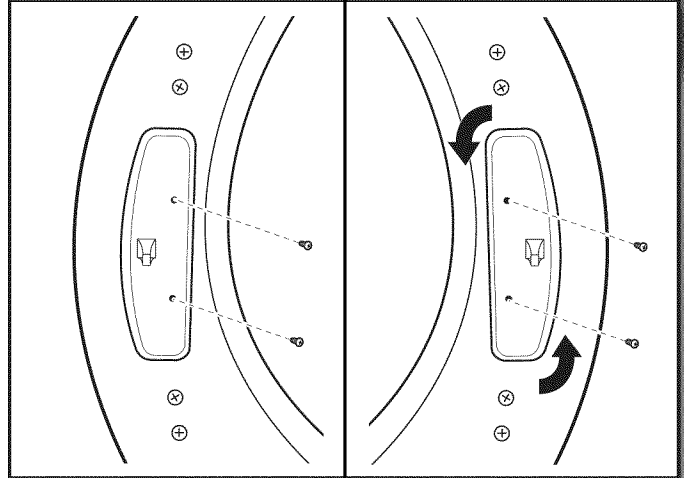
#2 Phillips screwdriver

1. Remove door from dryer



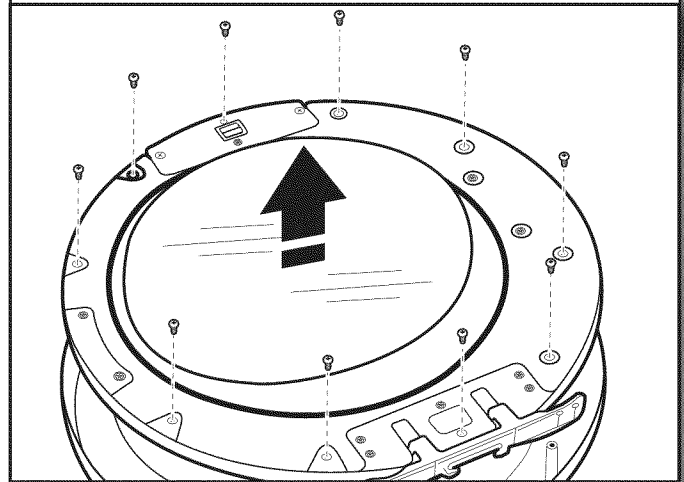
Using a Torx® T25 screwdriver, remove the 4 screws securing the door hinge to the dryer and lift up and out to remove the door. Place the door on a soft towel or other non-scratch surface. Reinstall the 4 screws in the holes.

2. Move the door strike



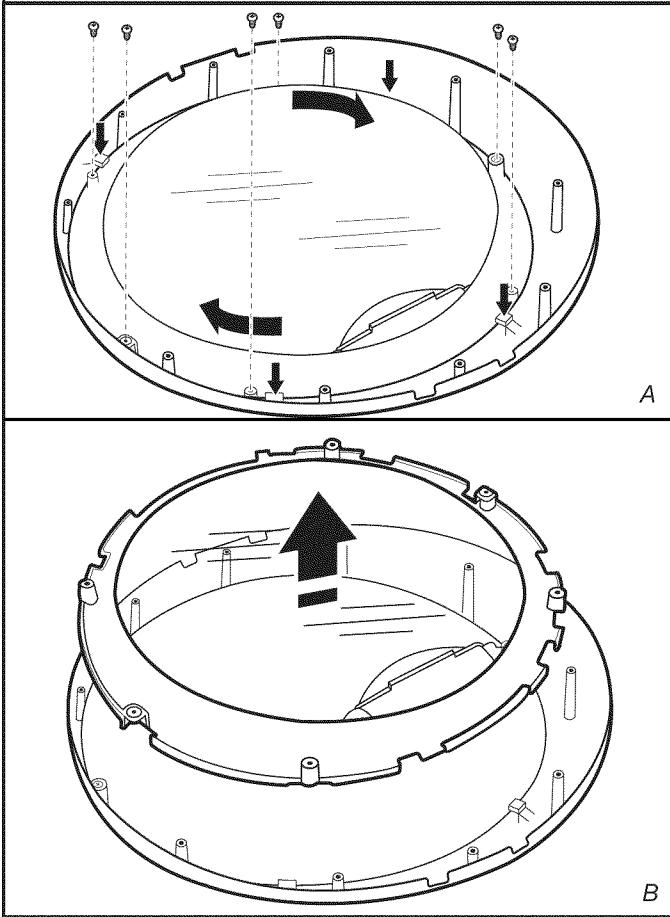
Using a Torx®† T25 screwdriver, remove the 2 screws securing the door strike to the door frame of the dryer. Rotate the strike 180° and attach to the opposite side of dryer door frame, as shown.

3. Remove inner door from outer door



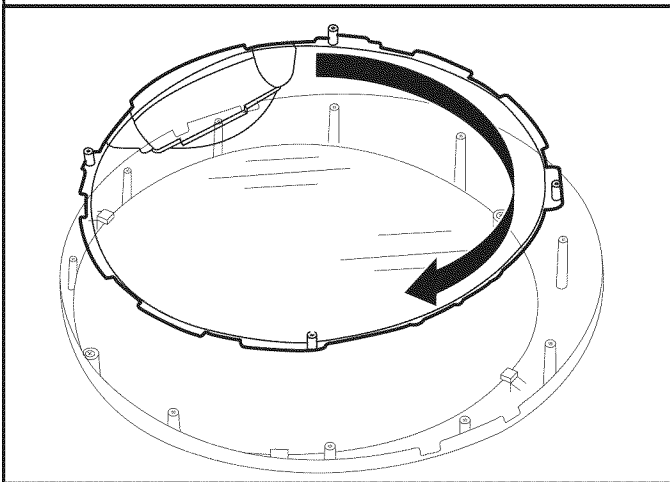
Position the door with the inside of the door facing up. Using a Phillips screwdriver, remove the 10 screws securing the inner door to the outer door. Lift off the inner door and set aside.

4. Remove trim ring from outer window assembly



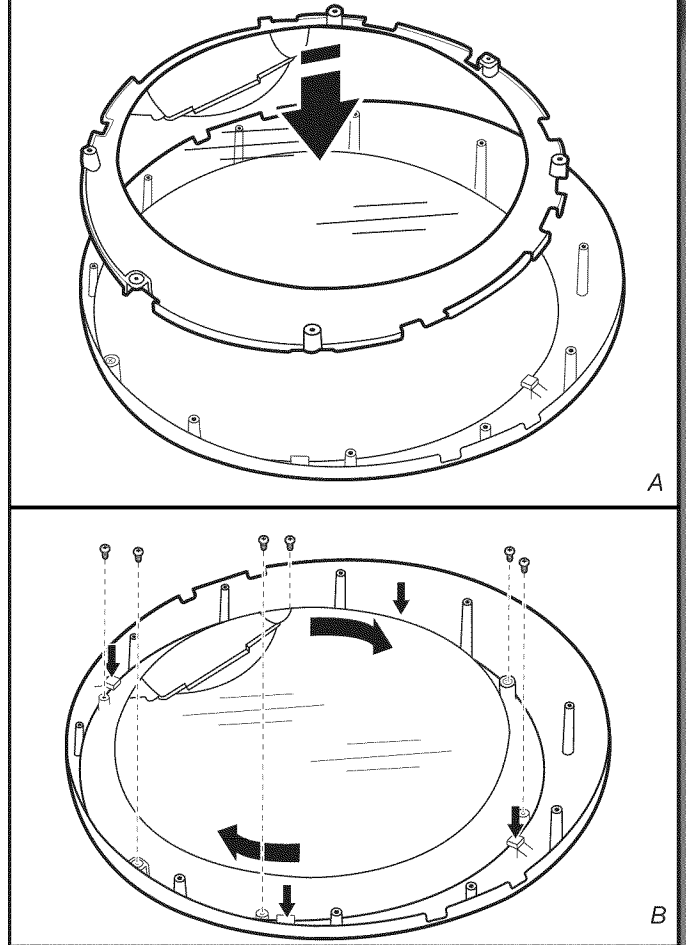
Using a Phillips screwdriver, remove the 6 screws from the outer window retainer and rotate the outer window assembly clockwise until the square notches line up with the 4 tabs on the trim ring indicated with arrows in the figure A above. Then lift the outer window retainer up and off the trim ring and set aside (B).

5. Reverse outer window/handle



Rotate the outer window 180°.

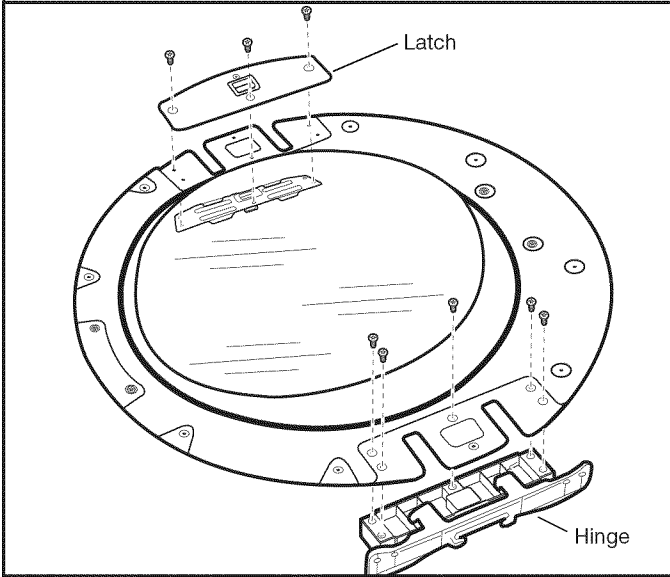
6. Rotate and reassemble outer door and trim ring



Align the notches on the outer door assembly with the tabs on the trim ring and lower into place as shown in figure A. Rotate the outer door assembly counterclockwise to lock tabs into place (figure B). Using a Phillips screwdriver, secure with 6 screws removed earlier.

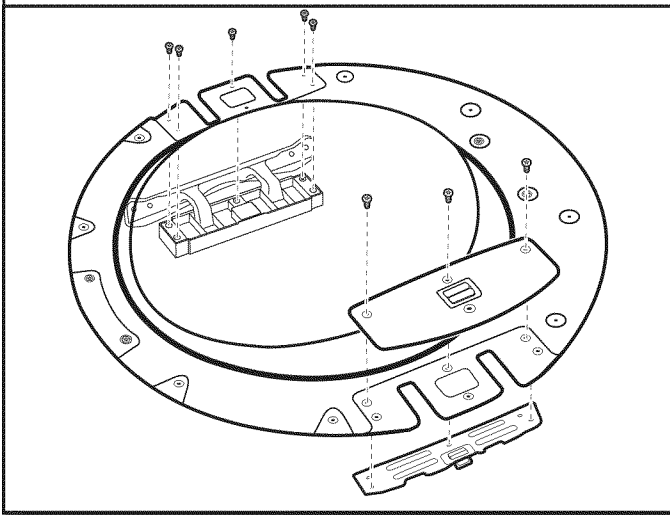
IMPORTANT: Do not overtighten.

7. Remove hinge and latch



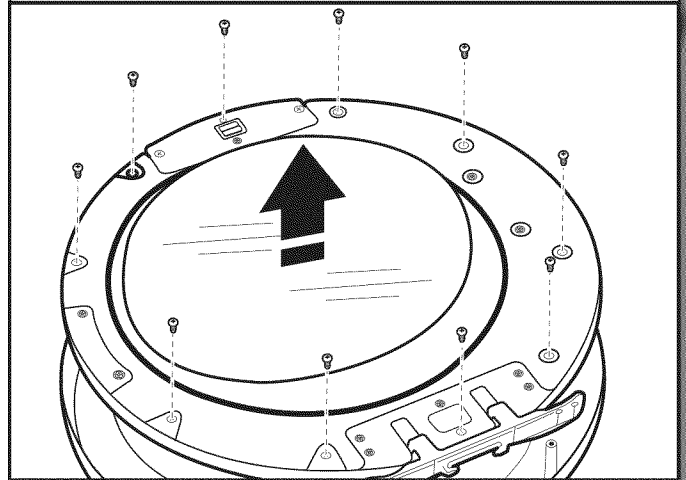
Using a Torx® T25 screwdriver, remove the 3 Torx screws securing the latch plate and latch backing plate and the 5 screws holding the hinge assembly in place.

8. Reinstall hinge and latch on opposite sides



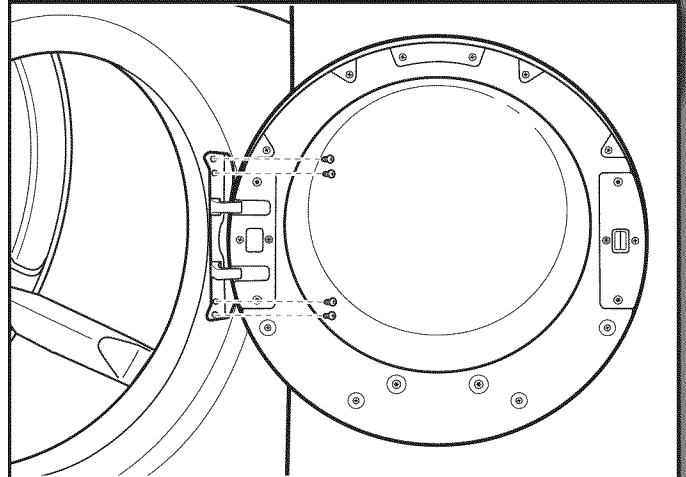
Using a Torx® T25 screwdriver, reinstall the latch plate, latch backing plate, and hinge assembly on the opposite sides from which they were removed.

9. Reinstall inner door assembly



Position the door with the inside of the door facing up. Reinstall the 10 screws securing the inner door to the outer door.

10. Reinstall door on dryer



Using a Torx® T25 screwdriver, remove the 4 screws on the dryer. Insert the tabs on the hinge into the mounting slot and slide down to engage the top tab. Secure in place with the 4 Torx® T25 screws removed earlier.

SÉCURITÉ DE LA SÉCHEUSE

Votre sécurité et celle des autres est très importante.

Nous donnons de nombreux messages de sécurité importants dans ce manuel et sur votre appareil ménager. Assurez-vous de toujours lire tous les messages de sécurité et de vous y conformer.



Voici le symbole d'alerte de sécurité.

Ce symbole d'alerte de sécurité vous signale les dangers potentiels de décès et de blessures graves à vous et à d'autres.

Tous les messages de sécurité suivront le symbole d'alerte de sécurité et le mot "DANGER" ou "AVERTISSEMENT". Ces mots signifient :

⚠ DANGER

Risque possible de décès ou de blessure grave si vous ne suivez pas immédiatement les instructions.

⚠ AVERTISSEMENT

Risque possible de décès ou de blessure grave si vous ne suivez pas les instructions.

Tous les messages de sécurité vous diront quel est le danger potentiel et vous disent comment réduire le risque de blessure et ce qui peut se produire en cas de non-respect des instructions.



AVERTISSEMENT - "Risque d'incendie"

- L'installation de la sécheuse à linge doit être effectuée par un installateur qualifié.
- Installer la sécheuse conformément aux instructions du fabricant et aux codes locaux.
- Ne pas installer de sécheuse à linge avec des matériaux d'évacuation en plastique souple. Si un conduit métallique souple (de type papier d'aluminium) est installé, celui-ci doit être d'un type spécifique identifié par le fabricant de l'appareil et convenir à une utilisation avec les sécheuses à linge. Les matériaux d'évacuation souples sont connus pour s'affaisser, être facilement écrasés et bloquer la charpie. Ces situations obstrueront le débit d'air de la sécheuse à linge et augmenteront le risque d'incendie.
- Pour réduire le risque de blessure grave ou de décès, suivre toutes les instructions d'installation.
- Conserver ces instructions.

AVERTISSEMENT : Pour votre sécurité, les renseignements dans ce manuel doivent être observés pour réduire au minimum les risques d'incendie ou d'explosion ou pour éviter des dommages au produit, des blessures ou un décès.

- Ne pas entreposer ou utiliser de l'essence ou d'autres vapeurs ou liquides inflammables à proximité de cet appareil ou de tout autre appareil électroménager.
- **QUE FAIRE DANS LE CAS D'UNE ODEUR DE GAZ :**
 - Ne pas tenter d'allumer un appareil.
 - Ne pas toucher à un commutateur électrique; ne pas utiliser le téléphone se trouvant sur les lieux.
 - Évacuer tous les gens de la pièce, de l'édifice ou du quartier.
 - Appeler immédiatement le fournisseur de gaz d'un téléphone voisin. Suivre ses instructions.
 - À défaut de joindre votre fournisseur de gaz, appeler les pompiers.
- L'installation et l'entretien doivent être effectués par un installateur qualifié, une agence de service ou le fournisseur de gaz.

AVERTISSEMENT : L'odorat ne permet pas toujours la détection d'une fuite de gaz.

Les distributeurs de gaz recommandent l'emploi d'un détecteur de gaz (homologation UL ou CSA).

Pour d'autre information, contacter le fournisseur de gaz local.

En cas de détection d'une fuite de gaz, exécuter les instructions "Que faire dans le cas d'une odeur de gaz".

IMPORTANT : L'installation du gaz doit se conformer aux codes locaux, ou en l'absence de codes locaux, au code canadien d'installation B149.1 du gaz naturel ou du propane.

La sècheuse doit être électriquement reliée à la terre conformément aux codes locaux, ou en l'absence de codes locaux, au Code canadien de l'électricité, CSA C22.1.

Dans l'État du Massachusetts, les instructions d'installation suivantes sont applicables :

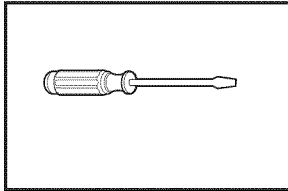
- Les travaux d'installation et réparation doivent être exécutés par un plombier ou tuyauteur qualifié ou licencié, ou par le personnel qualifié d'une entreprise licenciée par l'État du Massachusetts.
- Si une vanne à boisseau sphérique est utilisée, elle doit comporter une manette "T".
- Si un conduit de raccordement flexible est utilisé, sa longueur ne doit pas dépasser 3 pi.

EXIGENCES D'INSTALLATION

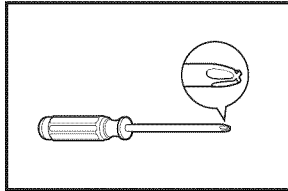
OUTILLAGE ET PIÈCES

Rassembler les outils et composants nécessaires avant d'entreprendre l'installation.

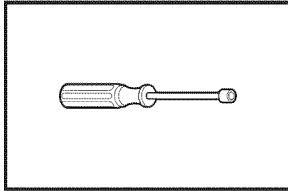
Outils nécessaires pour toutes les installations :



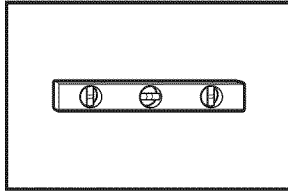
Tournevis à lame plate



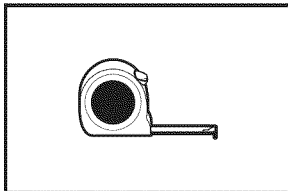
Tournevis Phillips n° 2



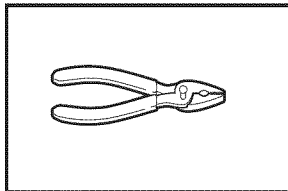
Tourne-écrou de 1/4"
(recommandé)



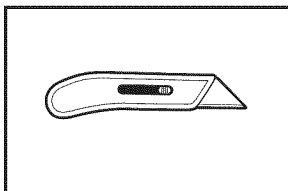
Niveau



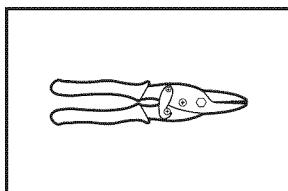
Mètre-ruban



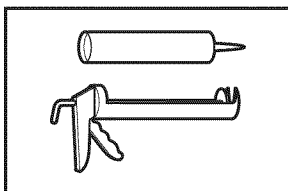
Pince



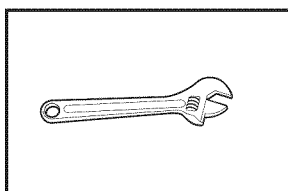
Couteau



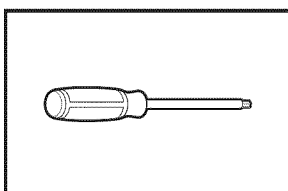
Cisaille de ferblantier
(pour l'installation d'un
nouveau conduit)



Pistolet à calfeutrage et
composé de calfeutrage
(pour l'installation
d'un nouveau conduit
d'évacuation)



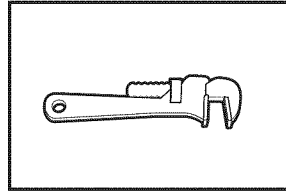
Clé à molette avec
ouverture jusqu'à
1" (25 mm) ou clé à
douille à tête hexagonale



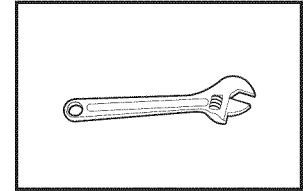
Tournevis Torx®† T25 de min. 8" (20 cm)
de longueur (pour inversion du sens de
la porte uniquement)

† TORX est une marque de commerce déposée de Acument
Intellectual Properties, LLC.

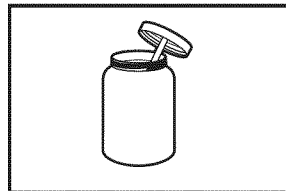
Outils nécessaires aux installations au gaz :



Clé à tuyau de 8" ou 10"



Clé à mollette de 8" ou 10"
(pour le raccordement au gaz)

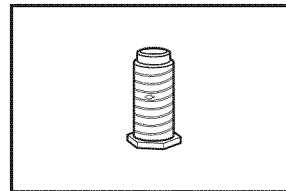


Composé d'étanchéité
des raccords filetés
- résistant au gaz
propane

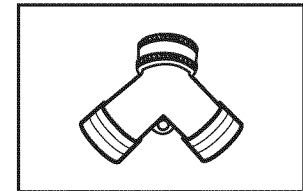
Pièces fournies :

Le sachet de pièces se trouve dans le tambour de la sècheuse.
Vérifier que toutes les pièces sont présentes.

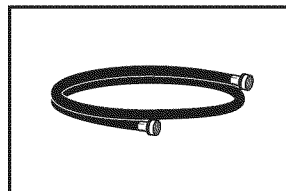
REMARQUE : À ne pas utiliser si la sècheuse doit être installée
sur un piédestal.



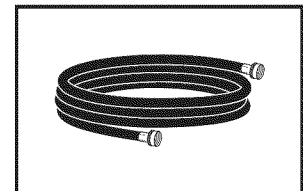
Pieds de nivellement (4)



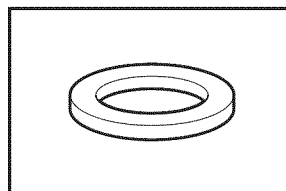
Connecteur en "Y"



Tuyau d'alimentation
court



Tuyau d'alimentation
long



Rondelle de caoutchouc

Pièces nécessaires : (Non fourni avec la sècheuse)

- Brides de conduit
- Coudes d'évacuation et conduits

Des pièces supplémentaires seront peut-être nécessaires, selon
l'installation. Consulter les codes locaux. Vérifier l'alimentation
électrique et le circuit d'évacuation existants. Voir "Installations
électriques" et "Exigences concernant l'évacuation" avant
d'acheter les pièces.

Équipement facultatif : (Non fourni avec la sècheuse)

Se référer au Guide d'utilisation et d'entretien pour des renseignements sur les accessoires disponibles pour la sècheuse.

EXIGENCES D'EMPLACEMENT

⚠ AVERTISSEMENT



Risque d'explosion

Garder les matières et les vapeurs inflammables, telle que l'essence, loin de la sècheuse.

Placer la sècheuse au moins 460 mm (18 po) au-dessus du plancher pour une installation dans un garage.

Le non-respect de ces instructions peut causer un décès, une explosion ou un incendie.

Il vous faudra :

- Un emplacement permettant une évacuation appropriée. Voir "Exigences concernant l'évacuation".
- Un circuit distinct de 15 ou 20 A est requis pour les sècheuses à gaz et un circuit distinct de 30 A est requis pour les sècheuses électriques.
- Si on utilise un cordon d'alimentation, une prise électrique avec liaison à la terre située à moins de 2 pi (610 mm) de l'un des côtés de la sècheuse. Voir "Spécifications électriques".
- Le plancher doit supporter le poids de la sècheuse de 200 lb (90,7 kg). Il faut également prendre en compte le poids des appareils ménagers voisins.
- Des robinets d'eau froide situés à 4 pi (1,2 m) maximum des valves de remplissage, et une pression d'eau de 20 à 100 psi (137,9 à 689,6 kPa). L'alimentation en eau de la laveuse peut être utilisée avec le connecteur en « Y » et le tuyau court (si nécessaire) fournis.
- Un plancher de niveau ayant une pente maximale de 1" (25 mm) sous l'ensemble de la sècheuse. Si la pente est supérieure à 1" (25 mm), installer un ensemble de pieds d'extension pour sècheuse, pièce n° 279810. Si la sècheuse n'est pas d'aplomb, le linge peut ne pas culbuter convenablement, et les programmes automatiques commandés par détecteur peuvent ne pas fonctionner correctement.
- Pour l'installation dans un garage, placer la sècheuse à au moins 18" (460 mm) au-dessus du sol. En cas d'utilisation d'un piédestal, il faudra 18" (460 mm) jusqu'au fond de la sècheuse.
- La sècheuse ne doit pas être installée ou remise dans un endroit où elle sera exposée à l'eau et/ou aux intempéries.

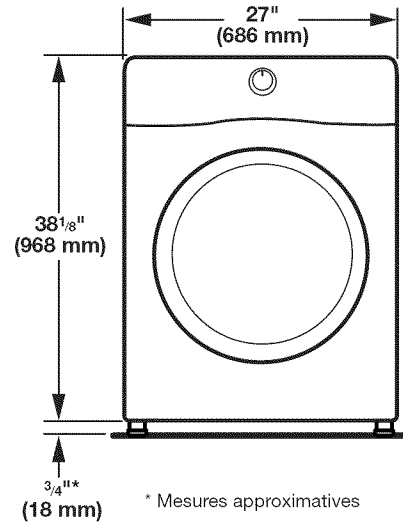
Pour chaque aménagement, prévoir davantage d'espace pour faciliter l'installation et l'entretien; des espacements pour les appareils voisins, les murs, les portes et les plinthes. L'espace doit être assez grand pour ouvrir complètement la porte. Ajouter un espacement sur tous les côtés de la sècheuse pour réduire le transfert du bruit. Si une porte de placard ou une porte à claire-voie est installée, des ouvertures de ventilation en haut et en bas sont nécessaires.

Vérifier les exigences des codes. Certains codes limitent ou n'autorisent pas l'installation des sècheuses dans un garage, un placard, une maison mobile ou une chambre à coucher. Communiquer avec l'inspecteur des bâtiments local.

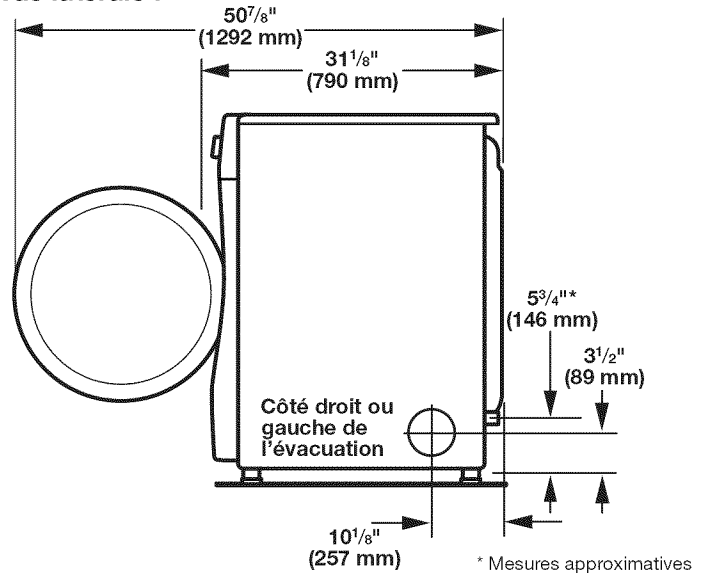
REMARQUE: Aucun autre appareil consommant un combustible ne doit être installé dans le même placard.

DIMENSIONS DE LA SÈCHEUSE

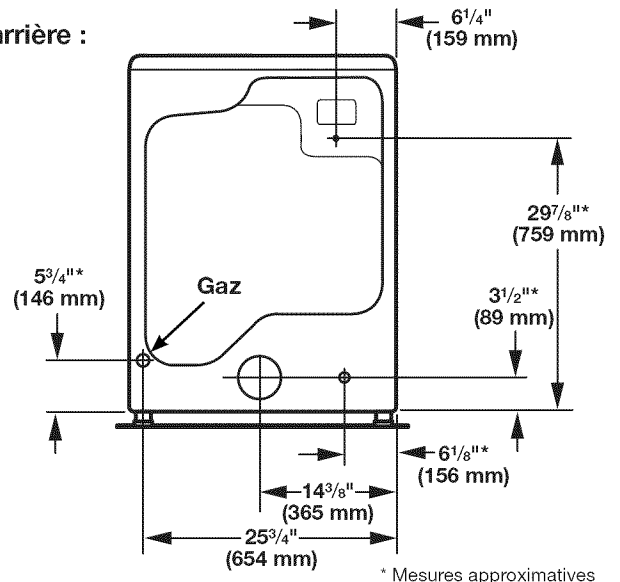
Vue de face :



Vue latérale :



Vue arrière :



REMARQUE : La plupart des installations requièrent un espace minimum de 5" (127 mm) derrière la sècheuse pour le conduit d'évacuation avec coude. Voir "Exigences concernant l'évacuation".

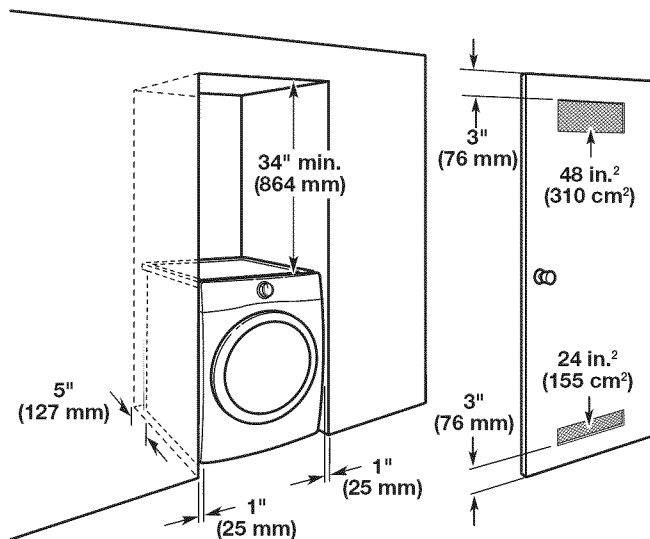
IMPORTANT : Ne pas faire fonctionner, installer ou remiser la sècheuse dans un endroit où elle sera exposée à l'eau, aux intempéries ou à des températures inférieures à 45° F (7° C). Des températures inférieures pourraient empêcher l'arrêt de la sècheuse à la fin des programmes automatiques commandés par détecteur, et causer des durées prolongées de séchage.

Espacement pour une installation dans un encastrement ou dans un placard

Toutes les dimensions indiquent le dégagement autorisé, avec un dégagement testé de 0" (0 mm) de chaque côté et à l'arrière.

- Prévoir davantage d'espace pour faciliter l'installation et l'entretien.
- Un espace supplémentaire peut être requis pour les moulures de porte et de plancher et pour les plinthes.
- Un espace supplémentaire doit être envisagé de tous les côtés de la sècheuse afin de réduire le transfert de bruit.
- Pour installation dans un placard avec porte, on doit prévoir des ouvertures minimums d'entrée d'air en haut et en bas de la porte.
- Les portes à claire-voie offrant des ouvertures équivalentes de passage de l'air sont acceptables.
- Il faut aussi prendre en compte l'espace requis entre les appareils voisins.

Installation dans un placard (sècheuse seulement) :



Installation dans une maison mobile – exigences supplémentaires :

Cette sècheuse peut être installée dans une maison mobile. L'installation doit être conforme aux critères de la version la plus récente de la norme suivante des É.-U. : Manufactured Home Construction and Safety Standard, Title 24 CFR, Part 3280 (anciennement Federal Standard for Mobile Home Construction and Safety, Title 24, HUD Part 280) ou de la Norme CAN/CSA-Z240MH.

Autres critères à respecter pour une installation en résidence mobile :

Toutes les sècheuses :

- Un système d'évacuation en métal qui peut être acheté chez votre marchand. Pour plus de renseignements, voir la section "Assistance ou service" dans le Guide d'utilisation et d'entretien.
- Il faut prendre des dispositions spéciales dans les maisons mobiles pour l'apport d'air de l'extérieur dans la sècheuse. Les ouvertures (telle qu'une fenêtre à proximité) devrait être au moins deux fois plus grande que l'ouverture de décharge de la sècheuse.

Pour les sècheuses à gaz :

- On peut commander la trousse d'installation dans une maison mobile – Pièce n° 346764.

SÉCHEUSE ÉLECTRIQUE RACCORDEMENT À L'ALIMENTATION ÉLECTRIQUE - CANADA SEULEMENT

SPÉCIFICATIONS ÉLECTRIQUÉS

AVERTISSEMENT



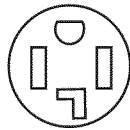
Risque de choc électrique

Brancher sur une prise à 4 alvéoles reliée à la terre.

Le non-respect de cette instruction peut causer un décès ou un choc électrique.

C'est à l'utilisateur qu'incombe la responsabilité de :

- Contacter un électricien qualifié.
- S'assurer que le raccordement électrique est adéquat et conforme au Code canadien de l'électricité, C22.1 – dernière édition, et à tous les codes locaux en vigueur. Pour obtenir un exemplaire des normes des codes ci-dessus, contacter : Canadian Standards Association, 178 Rexdale Blvd., Toronto, ON M9W 1R3 CANADA.
- L'appareil doit être alimenté uniquement par un circuit monophasé de 120/240 V CA seulement, 60 Hz à 4 fils, sur un circuit séparé de 30 ampères, fusionné aux deux extrémités de la ligne. On recommande d'utiliser un fusible ou un disjoncteur temporisé. On recommande également que cet appareil soit alimenté par un circuit indépendant.
- Cette sècheuse est équipée d'un cordon d'alimentation homologué par la CSA International à introduire dans une prise murale standard 14-30R. Le cordon mesure 5 pi (1,52 m). Veiller à ce que la prise murale se trouve à proximité de l'emplacement définitif de la sècheuse.



Prise murale à 4 fils
(14-30R)

Lorsqu'on utilise un cordon d'alimentation de rechange, il est recommandé d'utiliser le cordon d'alimentation de rechange, pièce n° 9831317.

Pour plus de renseignements, consulter les numéros de service indiqués à la section "Assistance ou service" du Guide d'utilisation et d'entretien.

INSTRUCTIONS DE LIAISON À LA TERRE

- Pour une sècheuse reliée à la terre et connectée par un cordon :

Cette sècheuse doit être reliée à la terre. En cas de mauvais fonctionnement ou de panne, la liaison à la terre réduira le risque de choc électrique en offrant au courant électrique un acheminement d'évacuation de moindre résistance. Cette sècheuse est alimentée par un cordon électrique comportant un conducteur relié à la terre et une fiche de branchement munie d'une broche de liaison à la terre. La fiche doit être branchée sur une prise appropriée qui est bien installée et reliée à la terre conformément à tous les codes et règlements locaux.

AVERTISSEMENT : Le raccordement incorrect de cet appareil au conducteur de liaison à la terre peut susciter un risque de choc électrique. En cas de doute quant à la qualité de liaison à la terre de la sècheuse, consulter un électricien ou un technicien ou un personnel qualifié. Ne pas modifier la fiche de branchement fournie avec la sècheuse; si la fiche ne correspond pas à la configuration de la prise de courant, demander à un électricien qualifié d'installer une prise de courant appropriée.

CONSERVEZ CES INSTRUCTIONS

RACCORDEMENT D'UNE SÈCHEUSE À GAZ

SPÉCIFICATIONS ÉLECTRIQUÉS

⚠ AVERTISSEMENT



Risque de choc électrique

- Brancher sur une prise à 3 alvéoles reliée à la terre.
- Ne pas enlever la broche de liaison à la terre.
- Ne pas utiliser un adaptateur.
- Ne pas utiliser un câble de rallonge.
- Le non-respect de ces instructions peut causer un décès, un incendie ou un choc électrique.

- L'appareil doit être alimenté par un circuit de 120 V, CA seulement, 60 Hz, 15 ou 20 ampères, protégé par fusible. On recommande l'emploi d'un fusible ou d'un disjoncteur temporisé. Il est recommandé de raccorder l'appareil sur un circuit distinct exclusif à cet appareil.

INSTRUCTIONS DE LIAISON À LA TERRE

- Pour une sècheuse reliée à la terre et connectée par un cordon :
Cette sècheuse doit être reliée à la terre. En cas de mauvais fonctionnement ou de panne, la liaison à la terre réduira le risque de choc électrique en offrant au courant électrique un acheminement d'évacuation de moindre résistance. Cette sècheuse est alimentée par un cordon électrique comportant un conducteur relié à la terre et une fiche de branchement munie d'une broche de liaison à la terre. La fiche doit être branchée sur une prise appropriée qui est bien installée et reliée à la terre conformément à tous les codes et règlements locaux.

AVERTISSEMENT : Le raccordement incorrect de cet appareil au conducteur de liaison à la terre peut susciter un risque de choc électrique. En cas de doute quant à la qualité de liaison à la terre de la sècheuse, consulter un électricien ou un technicien ou un personnel qualifié. Ne pas modifier la fiche de branchement fournie avec la sècheuse; si la fiche ne correspond pas à la configuration de la prise de courant, demander à un électricien qualifié d'installer une prise de courant appropriée.

CONSERVEZ CES INSTRUCTIONS

SPÉCIFICATIONS DE L'ALIMENTATION EN GAZ

⚠ AVERTISSEMENT



Risque d'explosion

- Utiliser une canalisation neuve d'arrivée de gaz approuvée par CSA International.
- Installer un robinet d'arrêt.
- Bien serrer chaque organe de connexion de la canalisation de gaz.
- En cas de connexion au gaz propane, demander à une personne qualifiée de s'assurer que la pression de gaz ne dépasse pas 330 mm (13 po) de la colonne d'eau.
- Par personne qualifiée, on comprend :
 - le personnel autorisé de chauffage,
 - le personnel autorisé d'une compagnie de gaz, et
 - le personnel d'entretien autorisé.
- Le non-respect de ces instructions peut causer un décès, un explosion ou un incendie.

TYPE DE GAZ

Gaz naturel :

Cette sècheuse est équipée pour une alimentation au gaz naturel. Sa conception est homologuée par CSA International pour l'alimentation au gaz de pétrole liquéfié (propane ou butane), avec conversion appropriée.

- Cette sècheuse doit être équipée du brûleur convenable, correspondant au gaz spécifique qui alimente l'habitation. L'information sur le brûleur se trouve sur la plaque signalétique dans le logement de la porte de la sècheuse. Si ces renseignements ne correspondent pas au type de gaz disponible, contacter votre marchand ou composer les numéros de téléphone indiqués dans la section "Assistance ou service" du Guide d'utilisation et d'entretien.

Conversion pour l'alimentation au propane :

IMPORTANT : Un technicien qualifié doit effectuer la conversion.

Ne pas entreprendre de convertir l'appareil pour l'utilisation d'un gaz différent de celui indiqué sur la plaque signalétique sans d'abord consulter la compagnie de gaz.

CANALISATION DE GAZ

Option 1 (méthode recommandée)

Raccord à gaz en acier inoxydable flexible :

- Si les codes locaux le permettent, utiliser un raccord neuf en acier inoxydable souple (conception homologuée par l'American Gas Association ou par CSA International) pour raccorder la sécheuse à la canalisation rigide d'alimentation en gaz. Selon le besoin, utiliser un coude et un adaptateur de 3/8" x tuyau NPT de 3/8" entre le raccord de gaz flexible et la canalisation de gaz de la sécheuse, pour éviter toute déformation.

Option 2 (méthode alternative)

Conduit d'aluminium ou de cuivre approuvé :

- La canalisation doit comprendre un connecteur obturé (filetage NPT de 1/8" ou plus) accessible pour le raccordement de l'instrument de mesure, immédiatement en amont de la connexion d'alimentation en gaz de la sécheuse. Voir l'illustration.
- Un tuyau IPS de 1/2" est recommandé.
- Pour les longueurs inférieures à 20 pi (6,1 m), on peut utiliser des tuyaux de cuivre ou d'aluminium de 3/8" si les codes locaux et le fournisseur de gaz le permettent.
- Pour le gaz naturel, ne pas utiliser de conduits en cuivre.
- Pour les longueurs inférieures à 20 pi (6,1 m), on peut utiliser des tuyaux plus gros et un adaptateur de grosseur différente.
- Si la sécheuse a été convertie au gaz de pétrole liquéfié, on peut utiliser un tuyau en cuivre compatible au gaz de pétrole liquéfié de 3/8". Si la longueur totale de la canalisation d'arrivée de gaz est supérieure à 20 pi (6,1 m), utiliser une plus grosse conduite.

REMARQUE : On doit utiliser un composé d'étanchéité des tuyauteries résistant à l'action du gaz propane. Ne pas utiliser de ruban TEFLON®†.

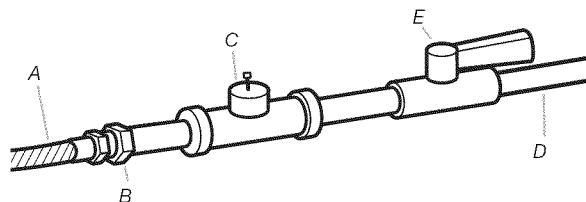
- La canalisation doit comprendre un robinet d'arrêt.

Aux États-Unis :

Un robinet d'arrêt individuel manuel doit être installé à six (6) pi (1,8 m) de la sécheuse, conformément au National Fuel Gas Code, ANSI Z223.1. L'emplacement doit être facile à atteindre pour ouvrir et fermer la sécheuse.

Au Canada:

Un robinet d'arrêt individuel manuel doit être installé conformément à la norme B149.1 du Code des installations au gaz naturel ou propane. On recommande qu'un robinet d'arrêt manuel individuel soit installé à moins de 6 pi (1,8 m) de la sécheuse. Choisir l'emplacement d'installation du robinet d'arrêt pour qu'il soit facilement accessible pour les manoeuvres d'ouverture et fermeture.



- A. Connecteur de gaz flexible de 3/8"
- B. Adaptateur de tuyau au joint conique de 3/8"
- C. Connecteur obturé (filetage NPT de 1/8" ou plus)
- D. Canalisation de gaz (NPT de 1/2")
- E. Robinet d'arrêt du gaz

EXIGENCES CONCERNANT LE RACCORDEMENT AU GAZ

- Utiliser un coude et un adaptateur NPT de 3/8" x 3/8" entre le connecteur de gaz flexible et la conduite de gaz de la sécheuse, tel que nécessaire pour éviter le pincement.
- Utiliser uniquement un composé d'étanchéité des tuyauteries. Ne pas utiliser de ruban TEFLON®†.
- On doit raccorder la sécheuse à la canalisation de gaz à l'aide d'un connecteur de gaz flexible homologué qui respecte les normes applicables aux connecteurs utilisés avec des appareils ménagers à gaz, ANSI Z21.24 ou CSA 6.10.

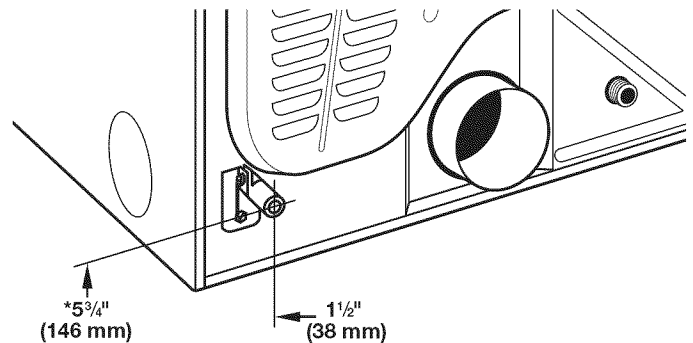
CARACTÉRISTIQUES D'ALIMENTATION DU BRÛLEUR

Altitudes supérieures à 2 000 pieds (610 m) :

- Si la sécheuse doit être utilisée à une altitude supérieure à 2 000 pieds (610 m), on doit réduire de 4 % le débit thermique du brûleur indiqué sur la plaque signalétique pour chaque tranche de 1 000 pieds (305 m) d'augmentation de l'altitude.

Épreuve sous pression de l'alimentation en gaz

- La sécheuse doit être déconnectée du système de canalisations d'alimentation en gaz lors de tout test de pression à des pressions plus élevées que 1/2 lb/po².



CANALISATION D'ARRIVÉE DE GAZ DE LA SÉCHEUSE

- La canalisation d'arrivée de gaz sortant à l'arrière de la sécheuse est dotée d'un filetage mâle de 3/8\"

* **REMARQUE :** Si la sécheuse est montée sur un piédestal, prévoir 10" (254 mm) ou 15,5" (394 mm) de plus à partir du sol pour la hauteur de la canalisation d'arrivée de gaz, en fonction du modèle de piédestal. Pour une installation dans un garage, prévoir 18" (460 mm) de plus à partir du sol pour la hauteur de la canalisation d'arrivée de gaz.

† ©TEFLON est une marque déposée de E.I. Du Pont De Nemours et Compagnie.

INSTALLATION DES PIEDS DE NIVELLEMENT

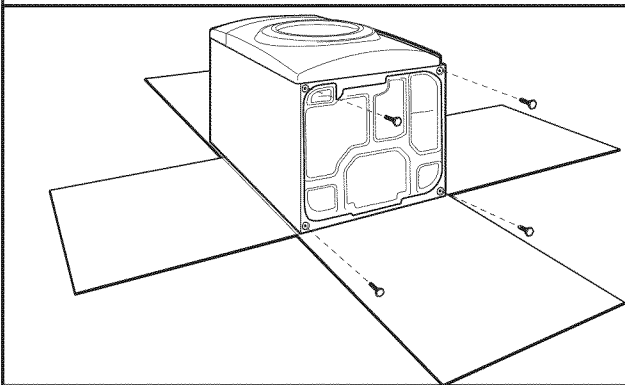
⚠ AVERTISSEMENT

Risque du poids excessif

Utiliser deux ou plus de personnes pour déplacer et installer la sècheuse.

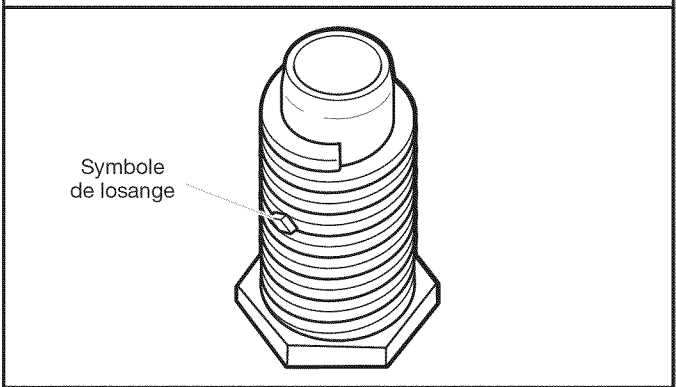
Le non-respect de cette instruction peut causer une blessure au dos ou d'autre blessure.

1. Préparer la sècheuse pour les pieds de nivellement



Pour ne pas endommager le plancher, utiliser une grande pièce de carton de l'emballage de la sècheuse; la placer sous tout le bord arrière de la sècheuse. Saisir fermement la sècheuse par la caisse (non par le panneau de commande) et incliner soigneusement la sècheuse sur le carton.

2. Visser dans les pieds de nivellement

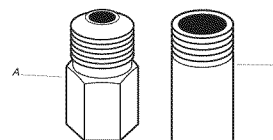


Examiner les pieds de nivellement, trouver le symbole de losange. Introduire manuellement les vis des pieds dans les trous, utiliser une clé à molette pour visser les pieds jusqu'à ce que le symbole de losange ne soit plus visible.

Placer une cornière de carton prise à partir de l'emballage de la sècheuse sous chacun des deux coins arrière de la sècheuse. Redresser la sècheuse. Faire glisser la sècheuse sur les cornières jusqu'à ce qu'elle soit proche de son emplacement final. Laisser suffisamment d'espace pour connecter le conduit d'évacuation.

INSTRUCTIONS POUR LE RACCORDEMENT AU GAZ

1. Connecter l'alimentation en gaz à la sècheuse

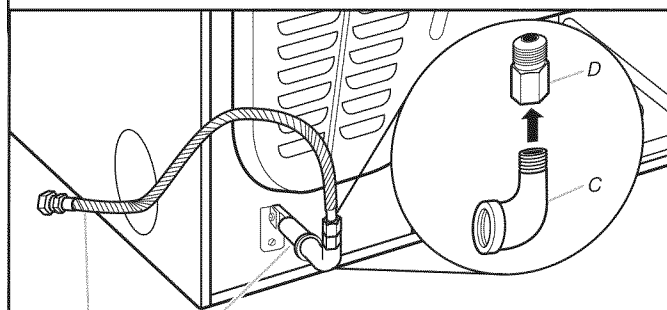


A. Raccord mâle conique
B. Raccord mâle non conique

Retirer le capuchon rouge de la canalisation d'arrivée de gaz. À l'aide d'une clé pour serrer, raccorder l'alimentation en gaz à la sècheuse. Utiliser un composé d'étanchéité des tuyauteries sur tous les filetages des raccords mâles non coniques. Si on utilise un conduit métallique souple, veiller à ce qu'il ne soit pas pincé.

REMARQUE : Pour les raccordements au gaz de pétrole liquéfié, il faut utiliser un composé d'étanchéité des tuyauteries résistant à l'action du gaz de pétrole liquéfié. Ne pas utiliser de ruban TEFLON[†].

2. Planifier le raccordement du raccord



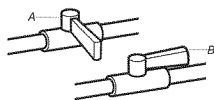
A. Raccord de gaz flexible de 3/8"
B. Conduit de la sècheuse de 3/8"

C. Coude de canalisation de 3/8" x 3/8"
D. Adaptateur de tuyau au joint conique de 3/8"

On doit utiliser une combinaison de raccords de canalisation pour raccorder la sècheuse à l'alimentation en gaz existante. Un raccordement est illustré. Le raccordement peut varier, selon le type d'alimentation, la dimension et l'emplacement.

† ©TEFLON est une marque déposée de E.I. Du Pont De Nemours et Compagnie.

3. Ouvrir le robinet d'arrêt



A. Robinet fermé
B. Robinet ouvert

Ouvrir le robinet d'arrêt du conduit d'alimentation; le robinet est ouvert lorsque la poignée est parallèle au conduit. Puis vérifier tous les raccords en les badigeonnant d'une solution de détection des fuites non corrosive approuvée. L'apparition de bulles indique la présence d'une fuite. Réparer toute fuite éventuelle.

ÉVACUATION

Exigences concernant l'évacuation

⚠ AVERTISSEMENT



Risque d'incendie

Utiliser un conduit d'évacuation en métal lourd.

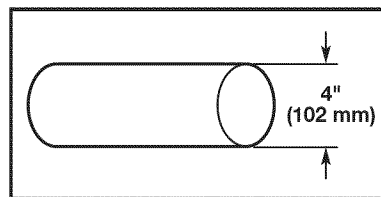
Ne pas utiliser un conduit d'évacuation en plastique.

Ne pas utiliser un conduit d'évacuation en feuille de métal.

Le non-respect de ces instructions peut causer un décès ou un incendie.

AVERTISSEMENT : Pour réduire le risque d'incendie, cette sècheuse doit ÉVACUER L'AIR À L'EXTÉRIEUR.

IMPORTANT : Respecter les dispositions de tous les codes et règlements en vigueur. Le conduit d'évacuation de la sècheuse ne doit pas être connecté à une évacuation de gaz, une cheminée, un mur, un plafond, un grenier, un vide sanitaire ou un vide de construction. Seul un conduit en métal flexible ou rigide doit être utilisé pour l'évacuation.



Conduit d'évacuation en métal
lourd de 4" (102 mm)

- Utiliser uniquement un conduit d'évacuation en métal lourd de 4" (102 mm) et des brides de serrage.
- Ne pas utiliser de conduit de plastique ou de métal très mince.

Conduit métallique rigide

- Recommandé pour une meilleure performance de séchage et pour réduire les risques d'écrasement et de déformation.

Conduit métallique flexible (Acceptable uniquement si accessible pour le nettoyage)

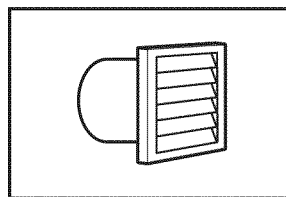
- Doit être complètement déployé et supporté dans l'emplacement final de la sècheuse.
- Enlever tout excès de conduit pour éviter tout affaissement et déformation susceptible de réduire la capacité d'évacuation et le rendement.
- Ne pas installer le conduit dans les cavités fermées des murs, plafonds ou planchers.
- La longueur totale ne doit pas excéder 7 3/4 pi (2,4 m).

REMARQUE : Lors de l'utilisation d'un système de décharge existant, nettoyer et éliminer la charpie sur toute la longueur du système et veiller à ce que le clapet d'évacuation ne soit pas obstrué par une accumulation de charpie. Remplacer tout conduit de plastique ou de feuille métallique par un conduit métallique rigide ou flexible. Examiner le tableau des systèmes d'évacuation et au besoin, apporter les modifications nécessaires au système d'évacuation pour atteindre le meilleur rendement de séchage.

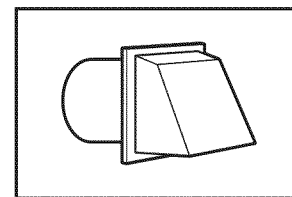
Clapets de décharge :

- Terminer le conduit d'évacuation par un clapet d'évacuation pour empêcher les rongeurs et insectes d'entrer dans l'habitation.
- Doit se situer à au moins 12" (305 mm) au-dessus du sol ou de tout objet susceptible d'obstruer l'évacuation (par exemple fleurs, roches, arbustes ou neige).
- Ne pas utiliser un clapet d'évacuation à fermeture magnétique.

Styles recommandés :

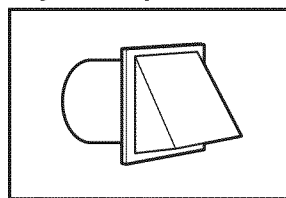


Clapet à persiennes



Clapet de type boîte

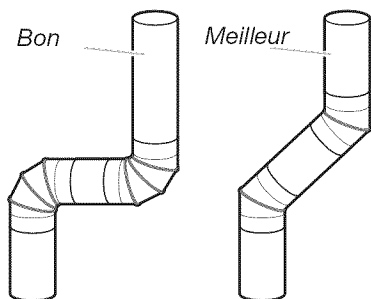
Style acceptable



Clapet incliné

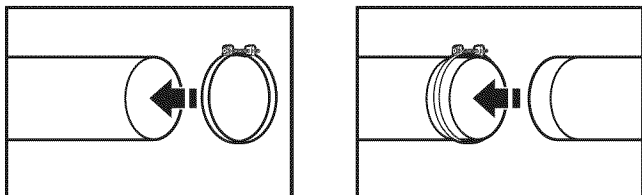
Coudes :

- Les coudes à 45° permettent une meilleure circulation de l'air que les coudes à 90°.



Brides de serrage :

- Utiliser des brides de serrages pour sceller tous les joints.
- Le conduit d'évacuation ne doit pas être connecté ou fixé avec des vis ou avec tout autre dispositif de serrage qui se prolonge à l'intérieur du conduit et où la charpie risque de s'accrocher. Ne pas utiliser de ruban adhésif pour conduit.



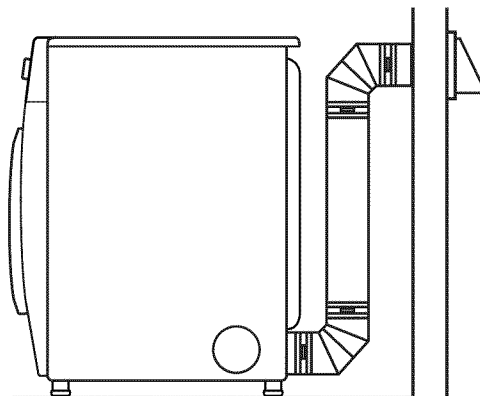
Une mauvaise évacuation de l'air peut causer de l'humidité et une accumulation de charpie à l'intérieur de la maison, ce qui peut provoquer :

- Dommages par l'humidité aux boiseries, meubles, peinture, papier-peint, tapis, etc.
- Problèmes de nettoyage dans la maison et problèmes de santé.

Planification du système d'évacuation

Choisir un type de système d'évacuation :

Installations d'évacuation recommandées :



Raccordement standard d'évacuation par l'arrière

Installations d'évacuation facultatives :

⚠ AVERTISSEMENT



Risque d'incendie

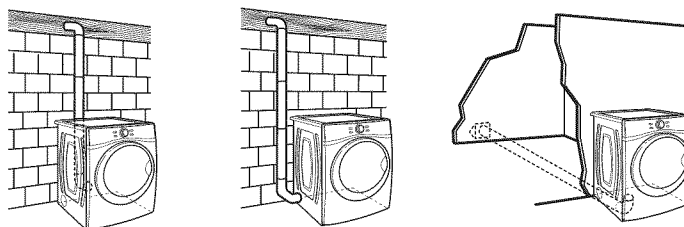
Utiliser un conduit d'évacuation en métal lourd.

Ne pas utiliser un conduit d'évacuation en plastique.

Ne pas utiliser un conduit d'évacuation en feuille de métal.

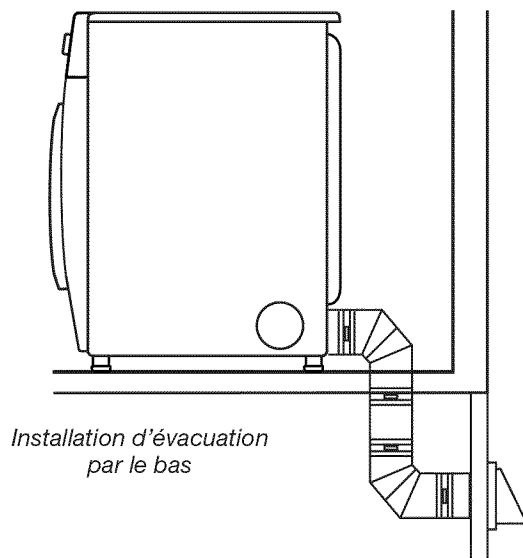
Le non-respect de ces instructions peut causer un décès ou un incendie.

Cette sècheuse peut être convertie pour évacuer par le côté droit, le côté gauche ou par le bas (trousse d'évacuation à 4 voies, pièce numéro W10337804). Chaque ensemble comporte des instructions étape par étape.



Dispositions spéciales pour les maisons mobiles :

Le système d'évacuation doit être solidement fixé à une section non combustible de la structure de la maison mobile et ne doit pas se terminer en dessous de celle-ci. Acheminer le conduit d'évacuation vers l'extérieur.



Le tableau des systèmes d'évacuation fournit les exigences d'évacuation qui vous aideront à atteindre la meilleure performance de séchage.

REMARQUE : Les installations d'évacuation par le côté ou par le bas comportent un changement de direction à 90° à l'intérieur de la sècheuse. Pour déterminer la longueur maximale d'évacuation lorsqu'on consulte le tableau, ajouter un changement de direction à 90° au nombre total de coudes.

Tableau des systèmes d'évacuation

Nombre de coudes à 90°	Type de conduit d'évacuation	Clapets de type boîte/à persiennes	Clapets inclinés
0	Métallique rigide	64 pi (20 m)	58 pi (17,7 m)
1	Métallique rigide	54 pi (16,5 m)	48 pi (14,6 m)
2	Métallique rigide	44 pi (13,4 m)	38 pi (11,6 m)
3	Métallique rigide	35 pi (10,7 m)	29 pi (8,8 m)
4	Métallique rigide	27 pi (8,2 m)	21 pi (6,4 m)

Déterminer l'itinéraire d'acheminement du conduit :

- Choisir l'itinéraire d'acheminement vers l'extérieur qui sera le plus direct et le plus rectiligne.
- Planifier l'installation pour introduire le nombre minimal de coudes et de changements de direction.
- Si des coudes ou changements de direction sont utilisés, prévoir autant d'espace que possible.
- Plier le conduit graduellement pour éviter de le déformer.
- Utiliser le moins de changements de direction à 90° possible.

Déterminer la longueur du conduit et les coudes nécessaires :

- Utiliser le tableau des systèmes d'évacuation ci-dessous pour déterminer le type de composants et les combinaisons acceptables.

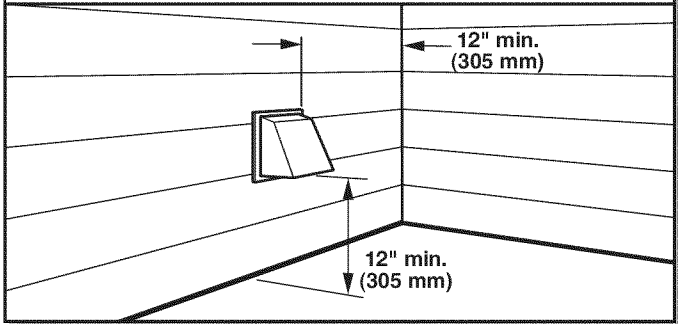
REMARQUE : Ne pas utiliser un conduit de longueur supérieure à la valeur spécifiée dans le tableau des systèmes d'évacuation.

Si la longueur du circuit est supérieure à la valeur spécifiée dans le tableau, on observera :

- Une réduction de la longévité de la sècheuse.
- Une réduction du rendement, avec temps de séchage plus longs et une plus grande consommation d'énergie.

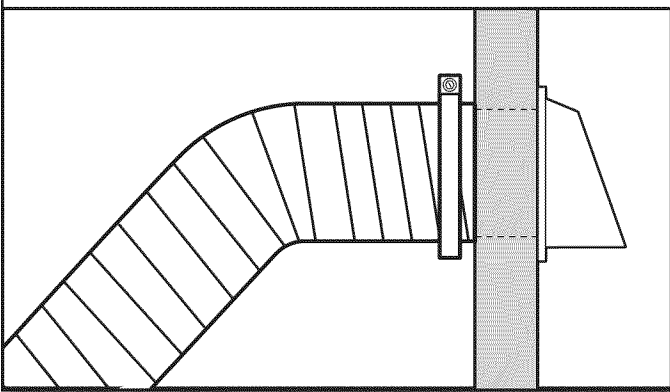
INSTALLATION DU CONDUIT D'ÉVACUATION

1. Installer le clapet d'évacuation



Installer un clapet d'évacuation et calfeutrer l'ouverture murale à l'extérieur autour du clapet d'évacuation.

2. Raccorder le conduit d'évacuation au clapet

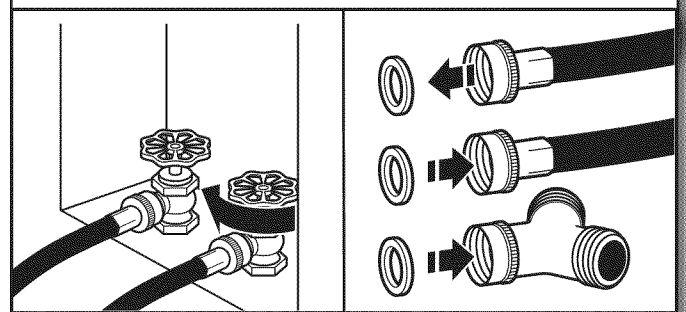


Le conduit doit être inséré à l'intérieur du manchon du clapet. Fixer ensemble le conduit et le clapet avec une bride de 4" (102 mm). Acheminer le conduit d'évacuation jusqu'à l'emplacement de la sècheuse, utiliser l'itinéraire le plus rectiligne possible. Éviter les changements de direction à 90°. Utiliser des brides de serrage pour sceller tous les joints. Ne pas utiliser de ruban adhésif pour conduit, de vis ou autres dispositifs de fixation qui se prolongeraient à l'intérieur du conduit pour sécuriser l'évacuation, où la charpie pourrait s'accrocher.

RACCORDEMENT DES TUYAUX D'ALIMENTATION

La sècheuse doit être connectée au robinet d'eau froide à l'aide des nouveaux tuyaux d'alimentation. Ne pas utiliser de tuyaux usagés.

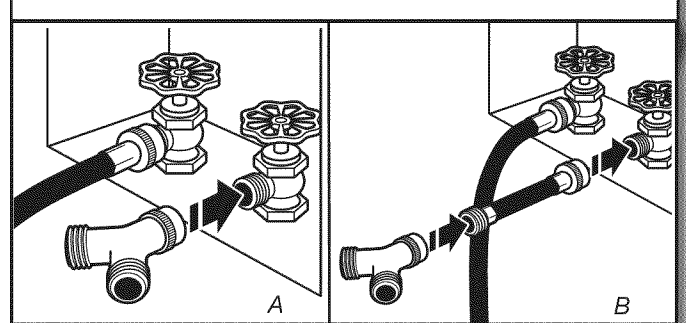
1. Fermer l'eau froide; retirer et remplacer le joint de caoutchouc



Arrêter le robinet d'eau froide et retirer le tuyau d'alimentation de la laveuse.

Vérifier que le joint de caoutchouc se trouve dans le raccord en "Y". Retirer l'ancien joint de caoutchouc du tuyau d'arrivée d'eau et le remplacer par le nouveau joint de caoutchouc fourni.

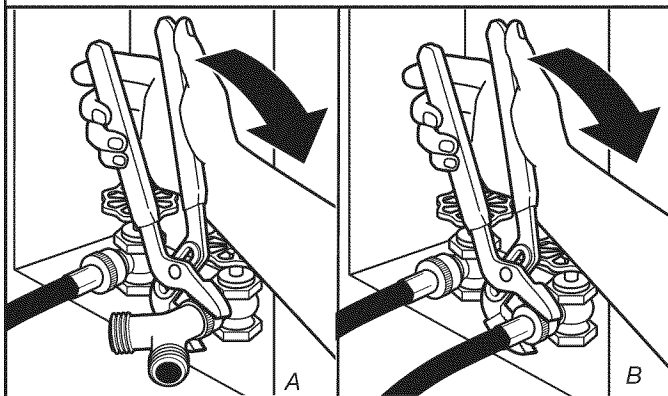
2. Fixer le tuyau court et le raccord en "Y"



Si l'espace le permet, fixer l'embout femelle du connecteur en Y au robinet d'eau froide. Voir figure A.

Si le connecteur en Y ne peut être fixé directement au robinet d'eau froide, on doit utiliser le tuyau court. Voir figure B. Fixer un tuyau court au robinet d'eau froide. Visser complètement le raccord à la main pour qu'il soit scellé au robinet. Puis fixer le raccord en "Y" à l'extrémité mâle du tuyau court. Visser complètement le raccord à la main pour qu'il soit scellé au connecteur en Y.

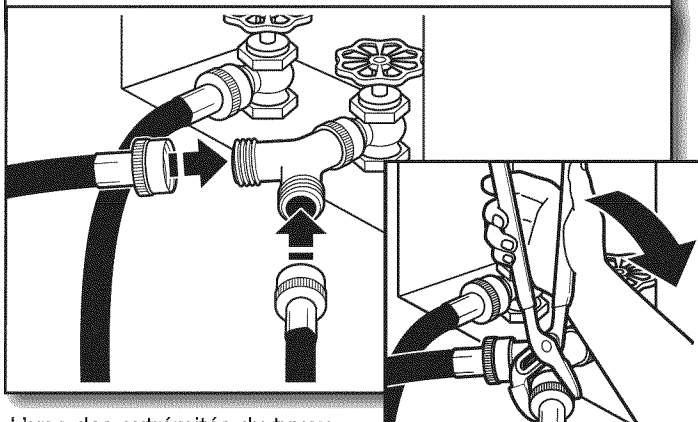
3. Serrer les raccords



À l'aide d'une pince, serrer les raccords en effectuant deux tiers de tour supplémentaire.

REMARQUE : Ne pas serrer excessivement. Le raccord risque d'être endommagé.

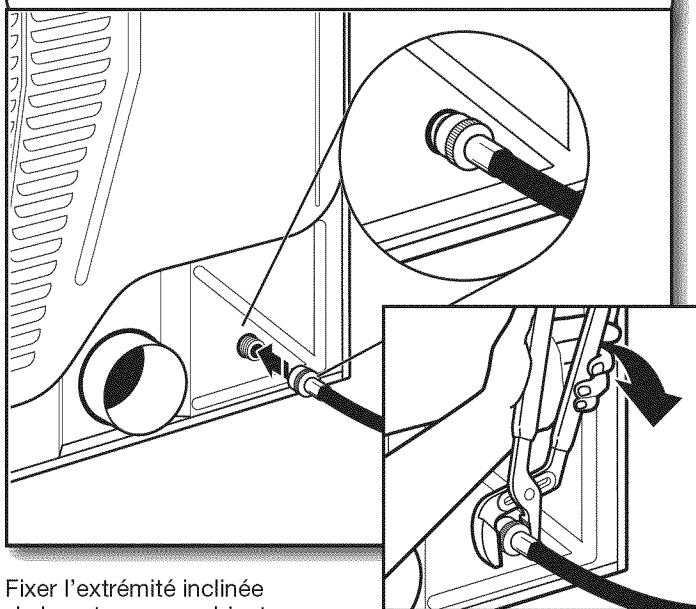
4. Fixer le long tuyau au raccord en "Y" et serrer les raccords



L'une des extrémités du tuyau long comporte un treillis métallique à l'intérieur du raccord. Fixer cette extrémité au connecteur en Y. Fixer le tuyau d'alimentation en eau froide de la laveuse à l'autre extrémité du raccord en "Y". Visser le raccord à la main pour qu'il repose sur le connecteur. Terminer le serrage des raccords - deux tiers de tour supplémentaires avec une pince.

REMARQUE : Ne pas serrer excessivement. Le raccord risque d'être endommagé.

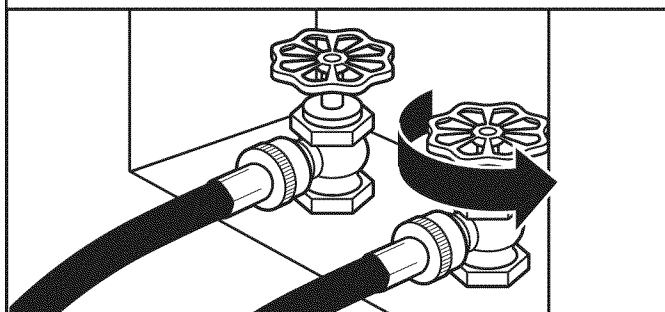
5. Fixer le long tuyau à l'électrovanne de remplissage de la sécheuse et serrer les raccords



Fixer l'extrémité inclinée du long tuyau au robinet de remplissage au bas du panneau arrière de la sécheuse. Visser complètement le raccord à la main pour qu'il soit scellé au raccord du robinet de remplissage. Terminer le serrage des raccords - deux tiers de tour supplémentaires avec une pince.

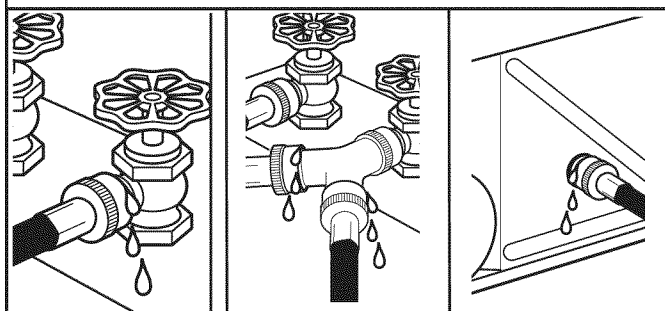
REMARQUE : Ne pas serrer excessivement. Le raccord risque d'être endommagé.

6. Ouvrir le robinet d'eau froide



Vérifier que les robinets d'eau sont ouverts.

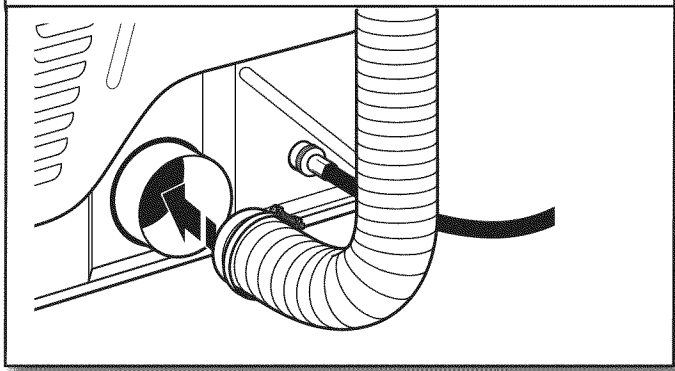
7. Vérifier qu'il n'y a pas de fuites



Vérifier qu'il n'y a pas de fuites autour du connecteur en Y, du robinet et des tuyaux d'alimentation.

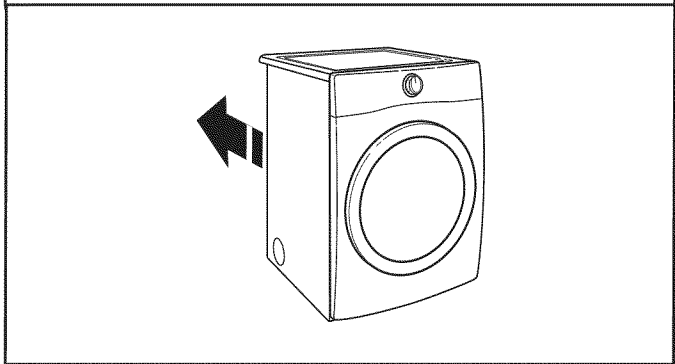
Raccordement du conduit d'évacuation

1. Raccorder le conduit d'évacuation à la bouche d'évacuation



À l'aide d'une bride de serrage de 4" (102 mm), relier le conduit d'évacuation à la bouche d'évacuation de la sécheuse. Si on utilise le conduit d'évacuation existant, s'assurer qu'il est propre. Le conduit d'évacuation de la sécheuse doit être fixé par-dessus la bouche d'évacuation et à l'intérieur du clapet d'évacuation. Vérifier que le conduit d'évacuation est fixé au clapet d'évacuation à l'aide d'une bride de serrage de 4" (102 mm).

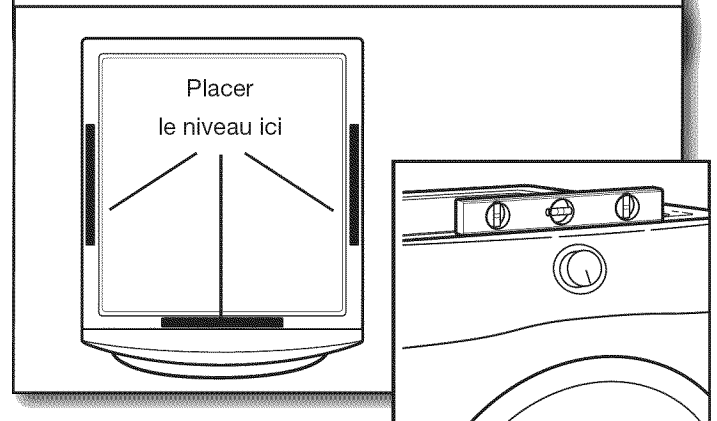
2. Déplacer la sécheuse à son emplacement final



Déplacer la sécheuse à son emplacement final, en faisant attention à ne pas déformer ou écraser le conduit d'évacuation. Une fois que la sécheuse est à son emplacement définitif, ôter les cornières et le carton du dessous de la sécheuse.

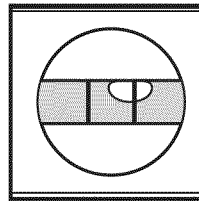
RÉGLAGE DE L'APLOMB DE LA SÉCHEUSE

1. Régler l'aplomb de la sécheuse

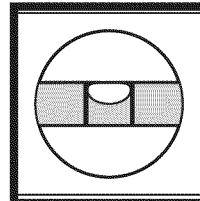


Vérifier l'aplomb de la sécheuse d'un côté à l'autre. Répéter l'opération de l'avant vers l'arrière.

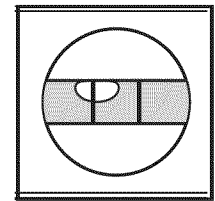
REMARQUE : La sécheuse doit être d'aplomb pour que le système de détection d'humidité fonctionne correctement.



Pas d'aplomb

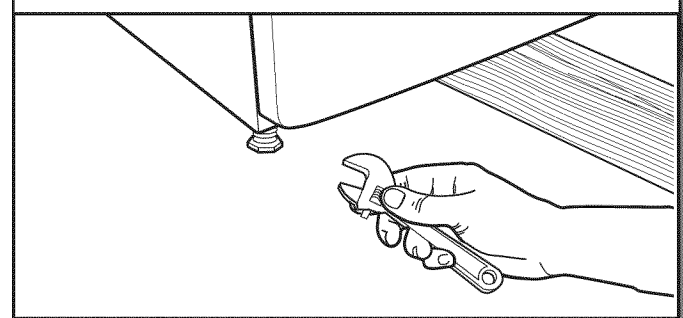


D'APLOMB



Pas d'aplomb

2. Serrer et ajuster les pieds de nivellement



Si la sécheuse n'est pas d'aplomb, la relever à l'aide d'un bloc de bois, utiliser une clé pour ajuster les pieds vers le haut ou vers le bas, et vérifier à nouveau si elle est d'aplomb. Une fois que les pieds sont d'aplomb, s'assurer que les quatre pieds sont solidement appuyés contre le sol avant de les serrer.

ACHEVER L'INSTALLATION

Liste de vérification

- Vérifier que toutes les pièces sont maintenant installées. S'il reste une pièce, passer en revue les différentes étapes pour découvrir laquelle aurait été oubliée.
- Vérifier la présence de tous les outils.
- Éliminer/recycler les matériaux d'emballage.
- Vérifier que les robinets d'eau sont ouverts.
- Vérifier qu'il n'y a pas de fuites autour du raccord en «Y», du robinet et des tuyaux.
- Vérifier l'emplacement définitif de la sècheuse. S'assurer que le conduit d'évacuation n'est pas écrasé ou déformé.
- Vérifier que la sècheuse est d'aplomb. Voir "Réglage de l'aplomb de la sècheuse".
- Retirer la pellicule bleue sur le panneau de commande et tout ruban adhésif resté sur la sècheuse.
- Essuyer soigneusement l'intérieur du tambour de la sècheuse avec un chiffon humide pour éliminer toute trace de poussière.
- Lire la section "Utilisation de la sècheuse" dans le Guide d'utilisation et d'entretien.
- Si l'on réside dans une région où l'eau est dure, l'emploi d'un adoucisseur d'eau est recommandé pour contrôler l'accumulation de tartre dans le circuit d'eau de la sècheuse. Avec le temps, l'accumulation de tartre peut obstruer différentes parties du circuit d'eau, ce qui réduira la performance du produit. Une accumulation excessive de tartre peut entraîner la nécessité de remplacer ou de réparer certains composants.

Modèles électriques seulement :

- Brancher sur une prise reliée à la terre.

Modèles à gaz seulement :

- S'assurer que l'alimentation en gaz est ouverte.
- Vérifier qu'il n'y a pas de fuites.

Tous les modèles :

- Sélectionner un programme de séchage minuté avec chaleur et mettre la sècheuse en marche. Ne pas sélectionner le réglage de température Air Only (air seulement).

Si la sècheuse ne démarre pas, vérifier ce qui suit :

- Les commandes sont réglées à la position de marche ou "ON".
- Le bouton Start (mise en marche) a été enfoncé fermement.
- La sècheuse est branchée dans une prise et/ou l'alimentation électrique est branchée.
- Les fusibles du domicile sont intacts et serrés; le disjoncteur n'est pas déclenché.
- La porte de la sècheuse est fermée.

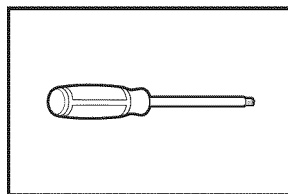
Cette sècheuse démarre automatiquement une procédure de diagnostic au début du premier programme.

REMARQUE : Il est possible que la sècheuse dégage une odeur lors du chauffage initial. Cette odeur est normale lorsque l'élément chauffant est utilisé pour la première fois. L'odeur disparaîtra.

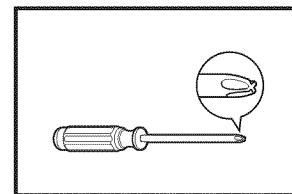
INVERSION DE LA PORTE (FACULTATIF)

Les instructions suivantes correspondent aux modèles avec porte arrondie. Pour les modèles avec porte carrée, une trousse supplémentaire est nécessaire. Consulter le détaillant ou la page "Pour assistance ou service" du guide d'utilisation et d'entretien.

Outils nécessaire :

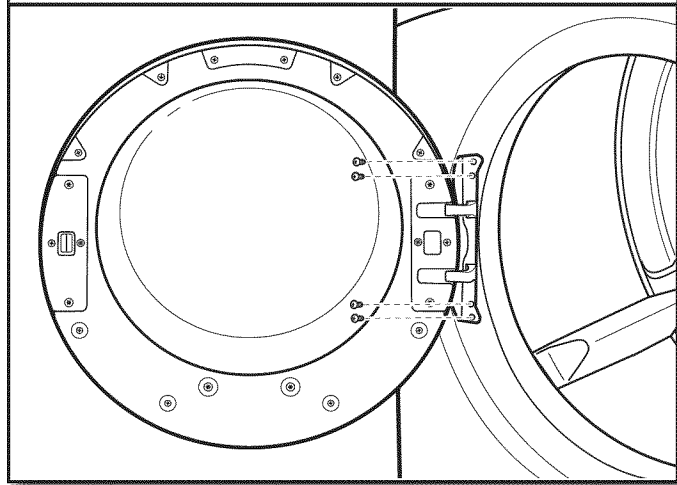


Tournevis Torx® T25 de min. 8" (20 cm) de long.



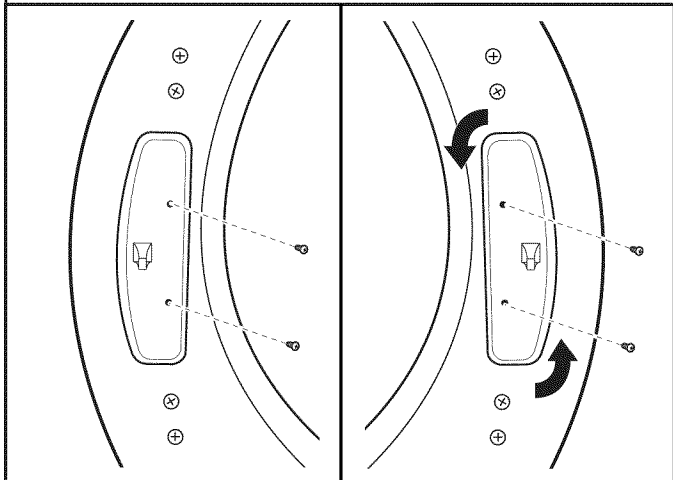
Tournevis Phillips n° 2

1. Retirer la porte de la sècheuse



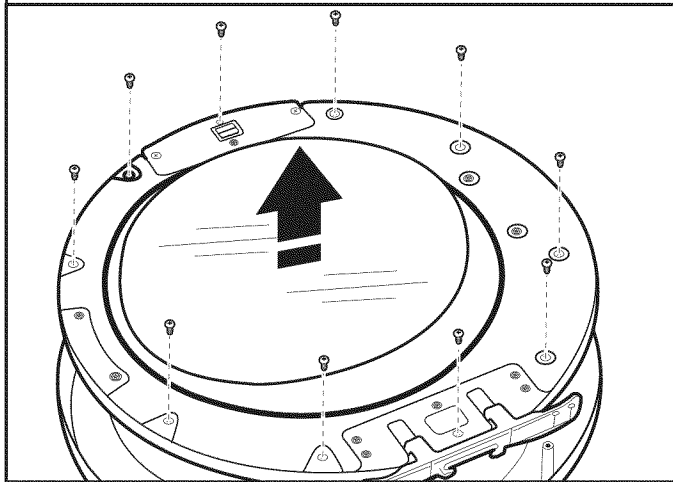
À l'aide d'un tournevis Torx® T25, retirer les 4 vis fixant la charnière de porte à la sècheuse et soulever la porte pour la retirer. Placer la porte sur une serviette douce ou sur une surface lisse. Replacer les 4 vis dans les mêmes trous.

2. Déplacer la gâche de la porte



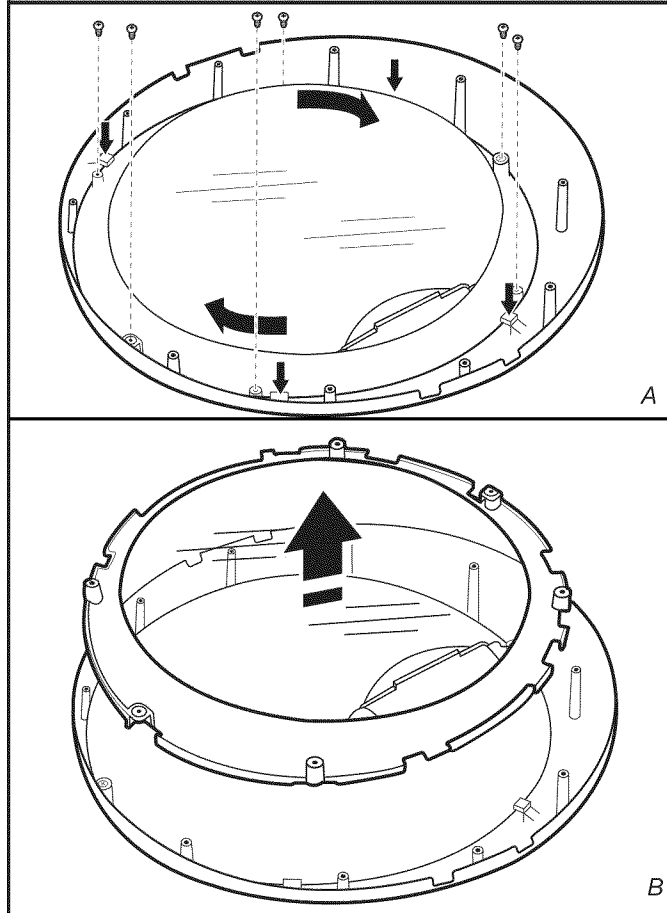
À l'aide d'un tournevis Torx® T25, retirer les 2 vis fixant la gâche de la porte au châssis de la porte de la sécheuse. Faire pivoter la gâche de 180° et la fixer au côté opposé du châssis de la porte de la sécheuse, tel qu'indiqué.

3. Dégager la porte interne de la porte externe



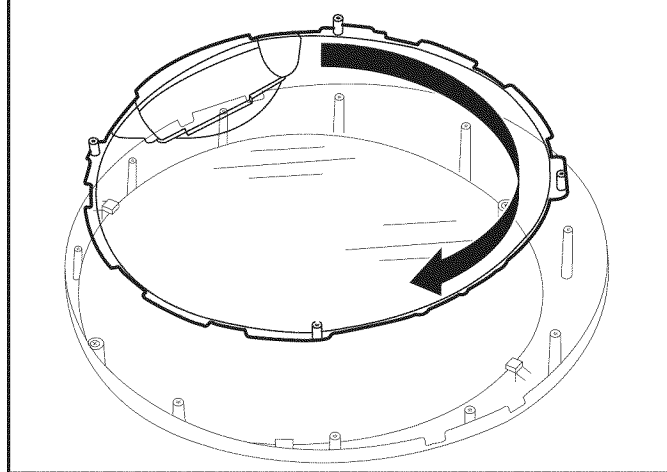
Positionner la porte de façon à ce que l'intérieur de la porte soit orienté vers le haut. À l'aide d'un tournevis Phillips, retirer les 10 vis fixant la porte interne à la porte externe. Soulever la porte interne pour la dégager et la mettre de côté.

4. Retirer la garniture circulaire de la partie externe du hublot



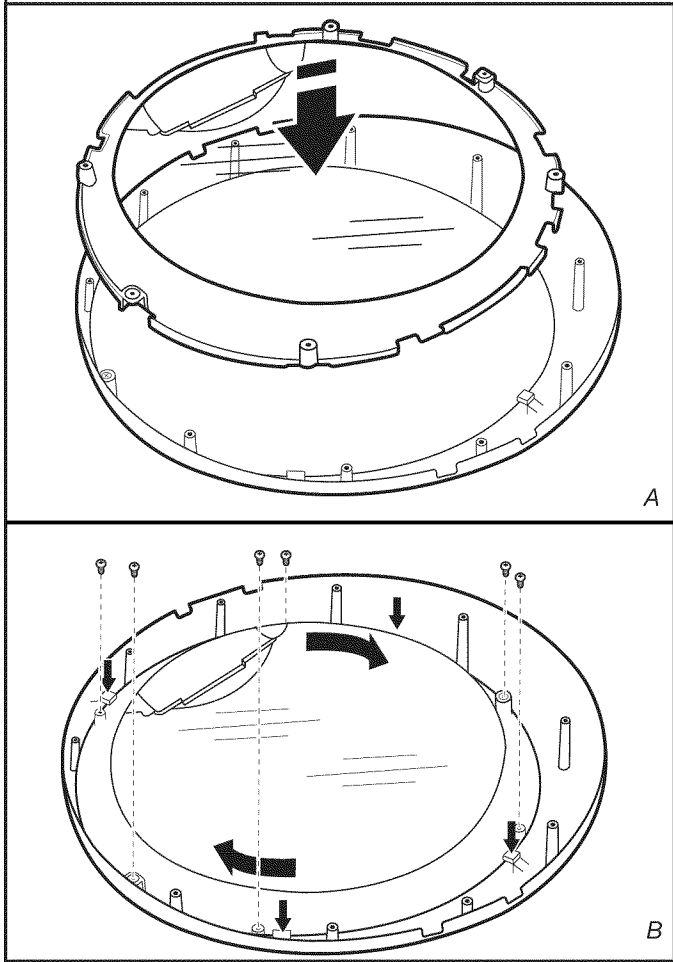
À l'aide d'un tournevis Phillips, retirer les 6 vis du support de la partie externe du hublot et faire pivoter la partie externe du hublot dans le sens horaire jusqu'à ce que les indentations carrées soient alignées avec les 4 onglets de la garniture circulaire aux emplacements indiqués par les flèches dans l'illustration A ci-dessus. Soulever ensuite le support de la partie externe du hublot, le dégager de la garniture circulaire et le mettre de côté (figure B).

5. Inverser le sens de la partie externe du hublot/de la poignée



Faire pivoter la partie externe du hublot de 180°.

6. Tourner et rassembler la porte externe et la garniture circulaire

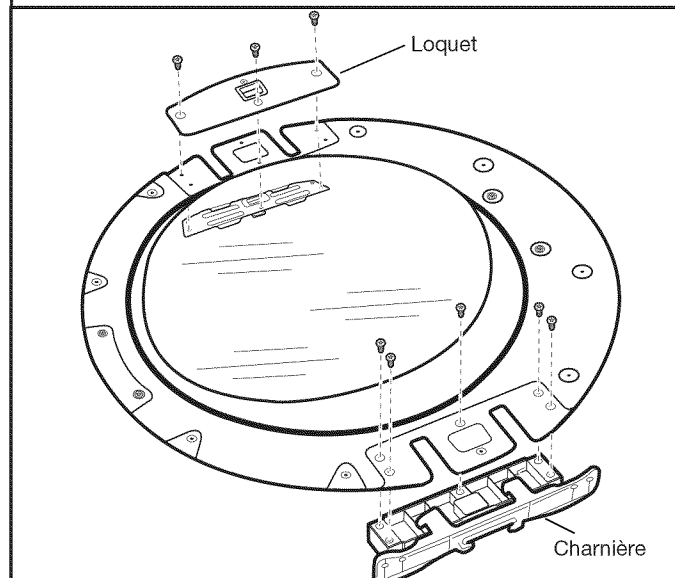


Aligner les indentations de la porte extérieure avec les onglets de la garniture circulaire et abaisser le tout pour la mise en place tel qu'illustré à la figure A.

Faire pivoter la porte externe dans le sens antihoraire pour emboîter les onglets (figure B). Avec un tournevis Phillips, visser les 6 vis précédemment retirées.

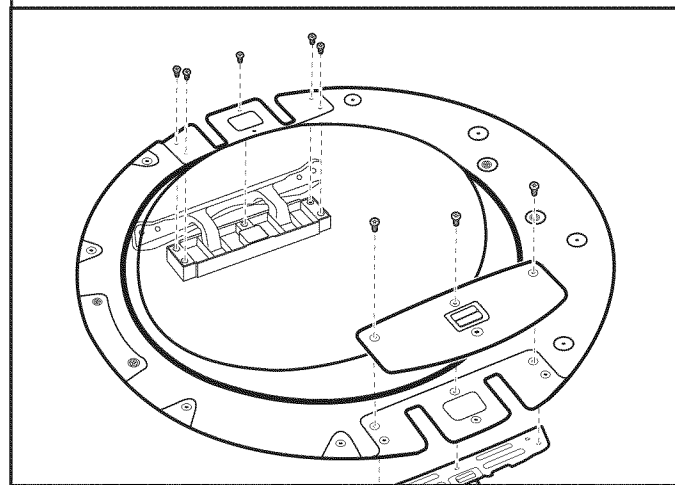
IMPORTANT : Ne pas serrer trop.

7. Retirer la charnière et le loquet



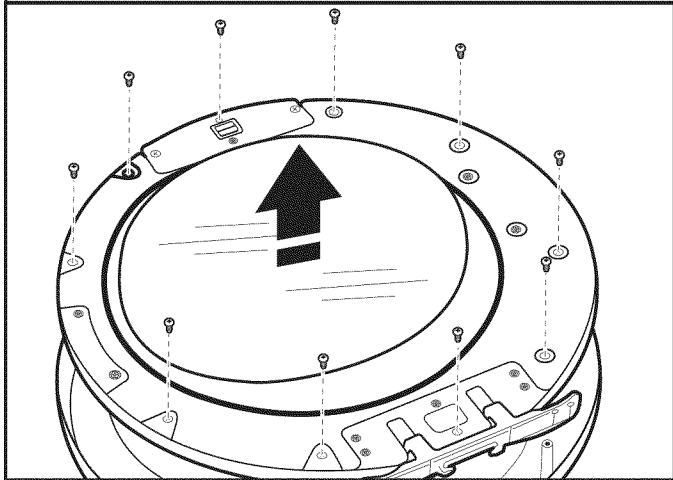
À l'aide d'un tournevis Torx® T25, retirer les 3 vis Torx fixant la plaque de protection du loquet et la plaque de support du loquet; retirer aussi les 5 vis maintenant la charnière en place.

8. Réinstaller la charnière et le loquet sur chaque côté



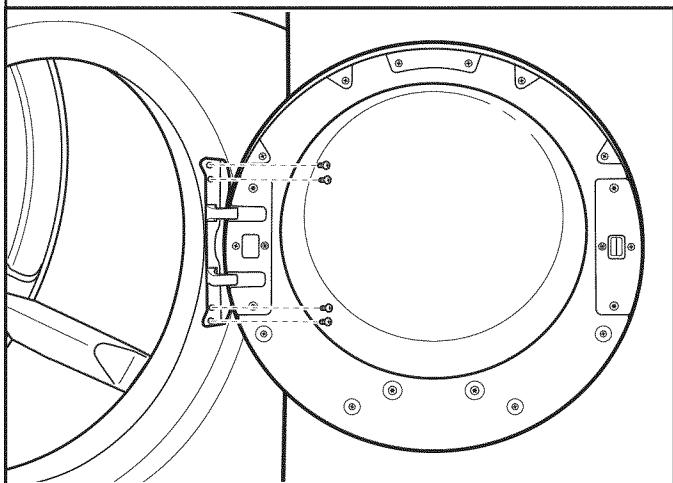
À l'aide d'un tournevis Torx® T25, retirer les 3 vis Torx fixant la plaque de protection du loquet et la plaque de support du loquet; retirer aussi les 5 vis maintenant la charnière en place.

9. Réinstaller la porte interne



Positionner la porte de façon à ce que l'intérieur de la porte soit orienté vers le haut. Réinstaller les 10 vis fixant la porte interne à la porte externe.

10. Réinstaller la porte sur la sécheuse



À l'aide d'un tournevis Torx® T25, retirer les 4 vis de la sécheuse. Insérer les onglets sur la charnière dans l'encoche de montage et les faire glisser vers le bas pour engager l'onglet supérieur. Fixer avec les 4 vis Torx® T25 précédemment retirées.

W10057364A
W10310421A-SP

© 2009
All rights reserved
Tous droits réservés

6/10
Printed in U.S.A.
Imprimé aux E.U.