

KitchenAid® Electric Built-in Cooktop

PRODUCT MODEL NUMBERS

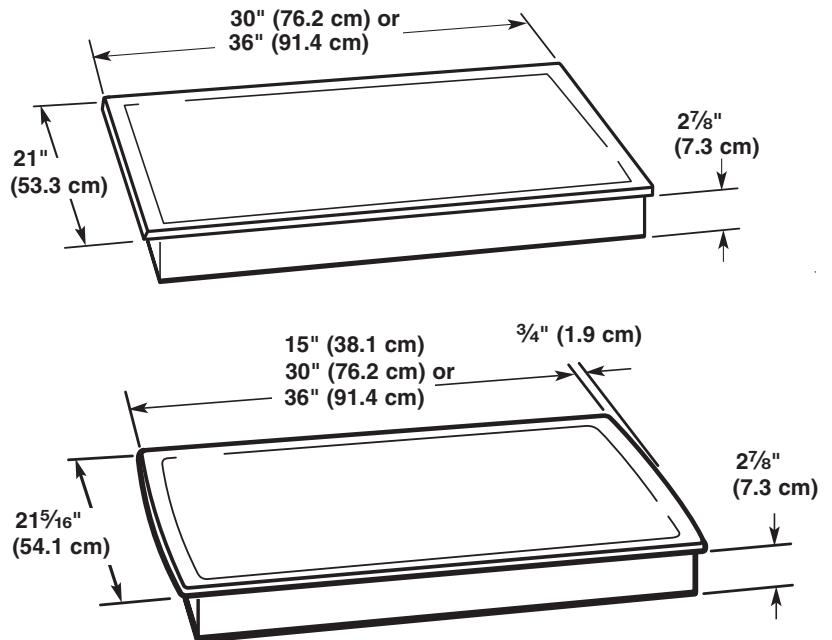
KECC051H	KECC562G
KECC502G	KECC567K
KECC507K	KECC568M
KECC508M	

Electrical:

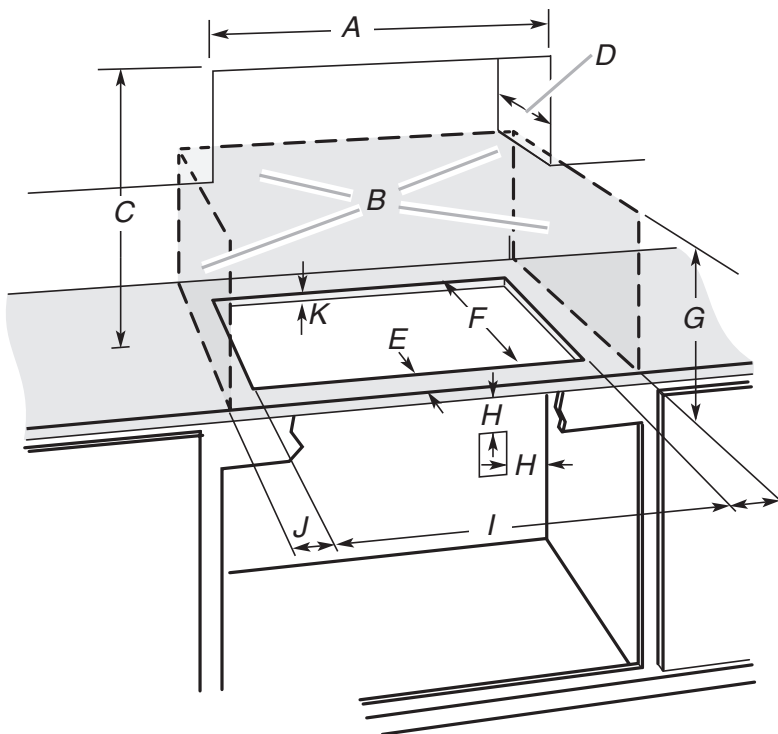
A 4-wire or 3-wire, single phase, 240-volt, 60-Hz., AC-only electrical supply is required on a separate, 40-amp circuit, fused on both sides of the line.

NOTE: The KECC051 model series requires a 20-amp circuit.

OVERALL DIMENSIONS



CABINET OPENING DIMENSIONS



- A. 15" (38.1 cm) on 15" models; 30" (76.2 cm) on 30" models; 36" (91.4 cm) on 36" models
- B. Combustible area above countertop (shown by dashed box above)
- C. 30" (76.2 cm) minimum clearance between top of cooktop platform and bottom of unprotected wood or metal cabinet (24" [61 cm] minimum clearance if bottom of wood or metal cabinet is protected by not less than 1/4" [0.6 cm] flame retardant millboard covered with not less than No. 28 MSG sheet steel, 0.015" [0.04 cm] stainless steel, or 0.024" [0.06 cm] aluminum or 0.020" [0.05 cm] copper)
- D. 13" (33 cm) recommended upper cabinet depth
- E. 2" (5.1 cm)
- F. 20 1/2" (52 cm)
- G. 18" (45.7 cm) minimum clearance from upper cabinet to countertop within minimum horizontal clearances to cooktop
- H. Junction box or outlet; 12" (30.5 cm) minimum from bottom of countertop; 10" (25.4 cm) from right side of cabinet
- I. 14 1/2" (36.6 cm) on 15" models; 29 1/2" (75 cm) on 30" models; 35 1/2" (90.2 cm) on 36" models
- J. 1" (2.5 cm) minimum distance to nearest left and right side combustible surface above cooktop
- K. 1 1/2" (3.8 cm) max. counter thickness on 15" models. See following illustration.

