

ZDIS150W

GE Monogram® High-Production, Large Capacity Automatic Ice maker

Dimensions and Installation Information (in inches)

Dimensions

H 33-1/2"

W 14-13/16"

D 23-5/16"

Note:

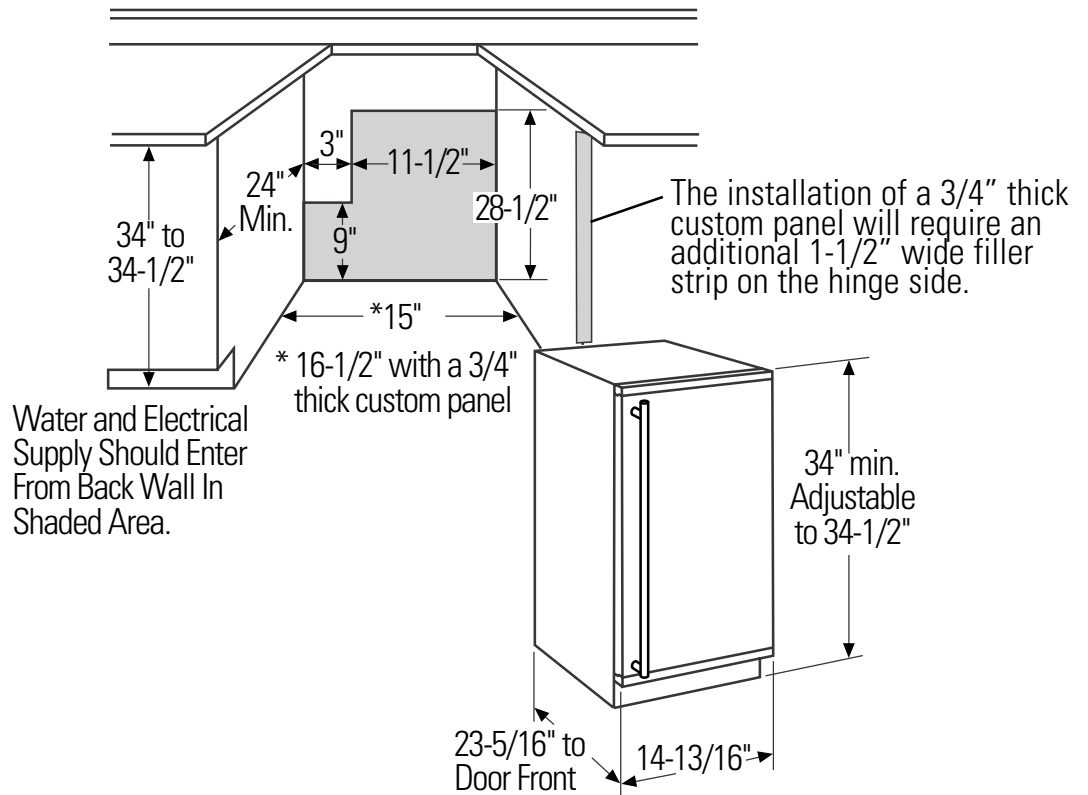
The finished cut-out is determined by the type of installation. Before installing, consult installation instructions packed with product for current dimensional data.

Warranty Information:

Limited one-year warranty, in-home service, parts and labor.*

Limited five-year warranty, parts and labor on the compressor, evaporator and all connecting tubing.*

*See written warranty for complete details.



For answers to your Monogram®, GE Profile™ or GE® appliance questions, visit our website at ge.com or call GE Answer Center® service, 800.626.2000.

Note:

The addition of a 3/4" thick front panel will result in a front to back depth of 24-1/16".



imagination at work



Listed by
Underwriters
Laboratories

Specification Revised 10/07

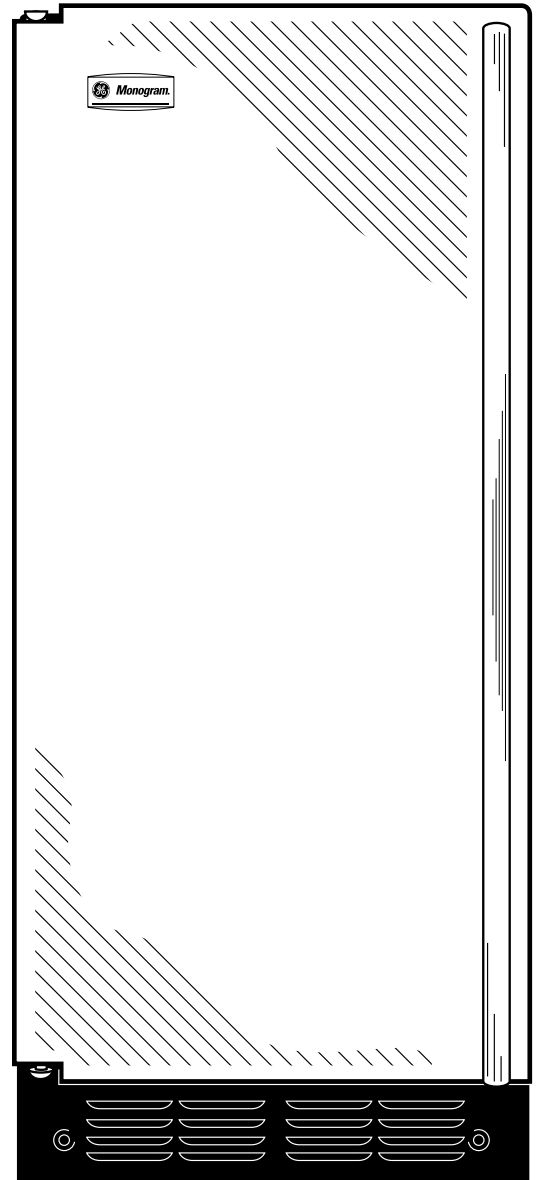
120043

ZDIS150W

GE Monogram® High-Production, Large Capacity Automatic Icemaker

Features and Benefits

- Hidden Electronic Controls - Allow for a fully integrated look
- Clean Sensor with LED Indicator
- Lighted Bin with Ice Scoop
- Reversible Door
- Daily Ice Production up to 50 lbs
- Water Level Sensor
- Model ZDIS150WSS - Stainless steel



imagination at work

Specification Revised 10/07

120043