



Installation Instructions

Distinctive™ Electric Cooktop

Models DECT304, DECT365

Table of Contents

	Page
Special Warnings	3
Product Dimensions and Cutout Requirements.....	4
Important Preparation Suggestions.....	5
Cooktop Installation.....	6
Electrical Connections.....	9
General information.....	9
3-Wire branch circuit.....	10
4-Wire branch circuit.....	10

OWNER: Please keep this manual for future reference.
INSTALLER: Please leave this manual with owner for future reference.
IMPORTANT: Save these instructions for the local electrical inspector use.

Pay attention to these symbols present in this manual



You can be killed or seriously injured if you don't IMMEDIATELY follow instructions.



- This is the safety alert symbol. This symbol alerts you to potential hazards that can kill or hurt you and others.
- You can be killed or seriously injured if you don't follow these instructions.

READ AND SAVE THESE INSTRUCTIONS.

To installer:
 Leave these instructions with the appliance.

To customer:
 Retain these instructions for future reference.



- If the information in this manual is not followed exactly, a fire or explosion may result in personal injury or death.
- Do not store or use gasoline or other flammable vapors and liquids in the vicinity of this or any other appliance.



Special Warnings

Please read all instructions before using this appliance

Proper installation is your responsibility. Have a qualified technician install this cooktop.

Important:

- Observe all governing codes and ordinances.
- Write down the model and serial numbers before installing the cooktop. Both numbers are on the serial rating plate located on bottom of cooktop box.
- If you receive a damaged product, immediately contact your dealer or builder. Do not install or use a damaged appliance. Do not install or use the appliance if the conduit is damaged.

Before Starting Installation



It is the customer's responsibility to contact a qualified electrical installer. To assure that the electrical installation is Adequate and in conformity with national electrical code: ANSI/NFPA 70-latest edition** or CSA standards C22.1-94, Canadian Electrical Code, part No.0-M91 - latest edition*** and all local codes and ordinances.

Copies of the standards listed may be obtained from:

** National Fire Protection Association One Batterymarch Park Quincy, Massachusetts 02269

*** CSA International 8501 East Pleasant Valley Rd. Cleveland, OH 44131-5575

To eliminate the risk of burns by reaching over heated surface units, cabinet storage space located above the surface units should be avoided. If the cabinet storage is to be provided, the risk can be reduced by installing a range hood that projects horizontally a minimum of 5" (12,7 cm) beyond the bottom of cabinet.

PRODUCT DIMENSIONS AND CUTOUT REQUIREMENTS

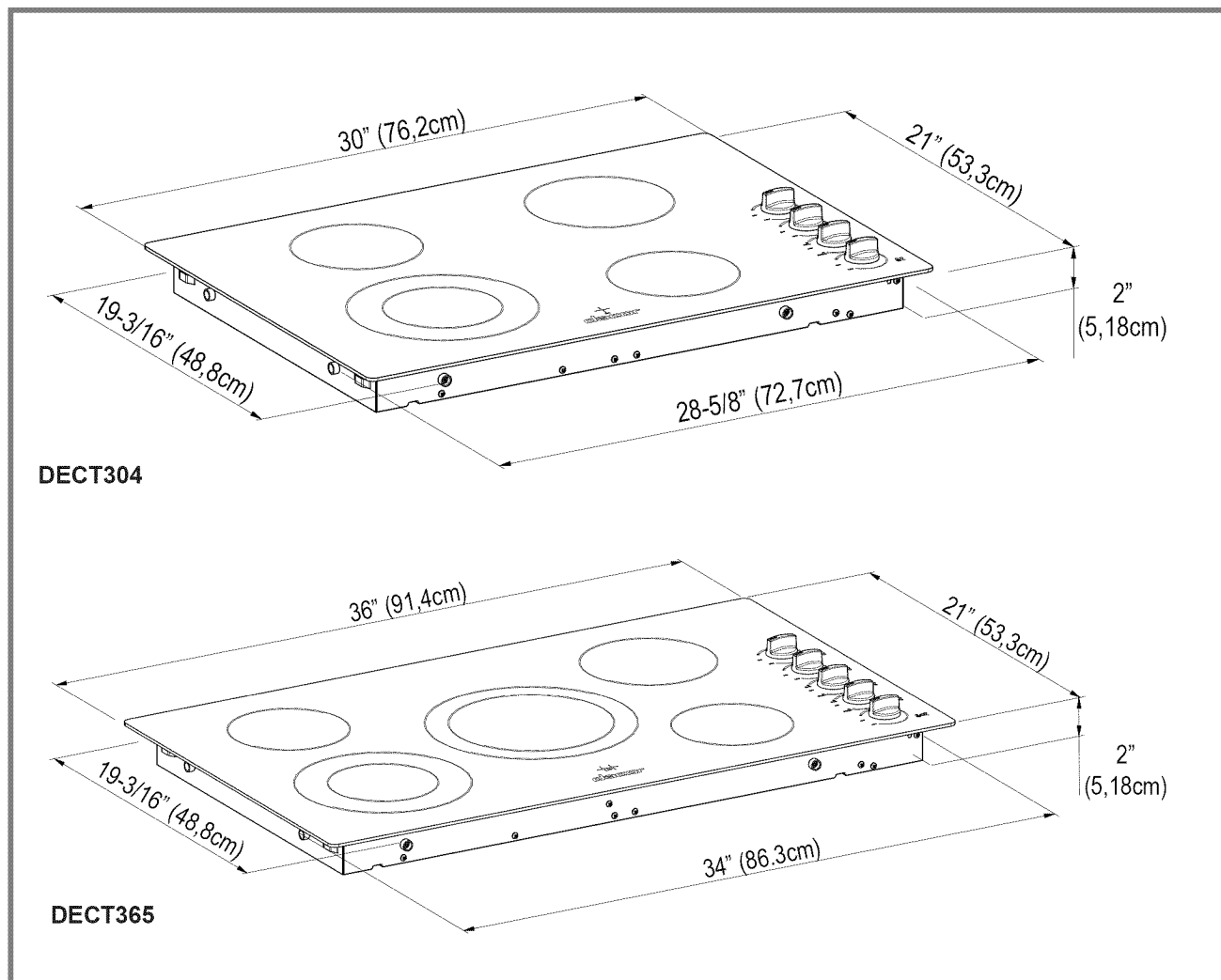


Figure 1. Chassis dimensions

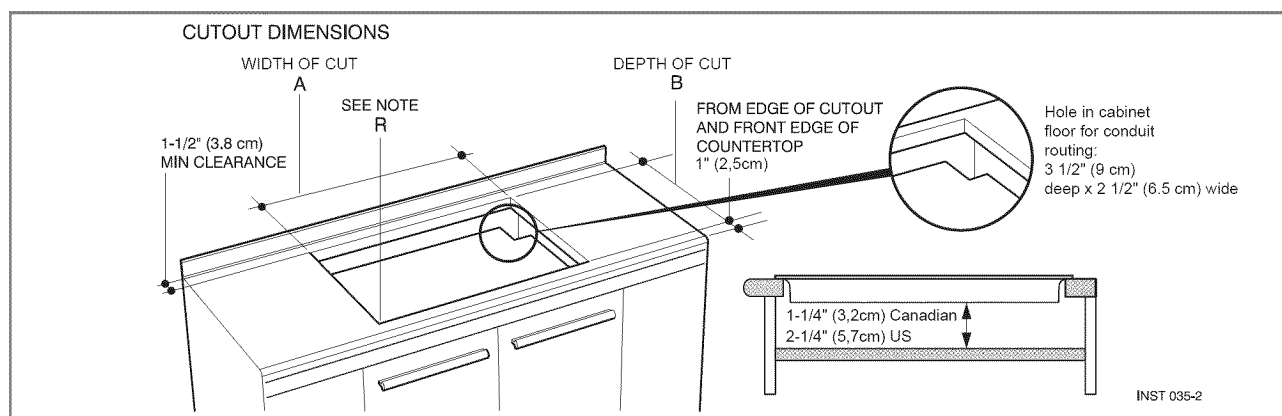


Figure 2

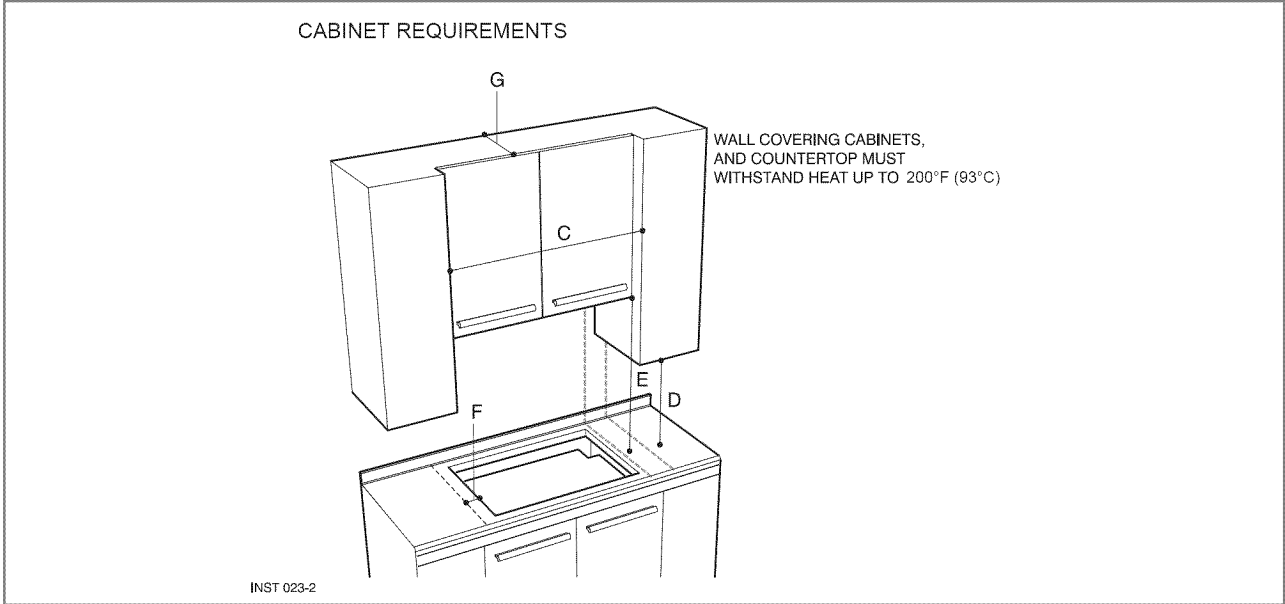


Figure 3. Cabinet dimensions and requirements

CUTOUT WIDTH	A	B	C	D	E	F	G
30" (76.2cm)	28-11/16" (72.9 cm) to 28 15/16" (73.5 cm)	19-1/4" (49.0 cm) to 19-9/16" (49.7 cm)	30" (76.2 cm) min	18" (45.7 cm) min height from countertop to nearest cabinet on either side of unit	30" (76.2 cm) min. (see note*) clearance from countertop to unprotected overhead surface	2" (5 cm) min clearance from cutout to side wall on the left and right of the unit	13" (33 cm) depth of unprotected overhead cabinets
36" (91.4 cm)	34-1/16" (86,5 cm) to 34-5/16" (87.2 cm)	19-1/4" (49.0 cm) to 19-9/16" (49.7 cm)	36" (91.4 cm) min				
IMPORTANT Under the cooktop it is necessary to install a partition, spaced from the bottom of the appliance as shown in figure 2-3.				<p>* NOTE 24" (61 cm) min. clearance if bottom of wood or metal cabinets is protected by not less than 1/4" (0.6 cm) flame retardant millboard covered with no less than No. 28 MSG sheet steel 0.015" (0.04 cm) stainless steel, or 0.024" (0.06 cm) aluminum or 0.020" (0.05cm) copper. 30"(76.2 cm) min. clearance between top of cooking platform and bottom of unprotected wood or metal cabinet</p>			

Important Preparation Suggestions

1. Chamfer all exposed edges of decorative laminate to prevent damage from chipping.
2. **Radius corners of cutout and file to insure smooth edges and prevent corner cracking. Recommend 1/4" or 3/8" diameter drill in each corner.**
3. Rough edges, inside corners which have not been rounded and forced fits can contribute to cracking of the countertop laminate.
4. This cooktop is not compatible with a raised vent.

This cooktop has been designed with wide tolerances of cut-out to cover possible replacement with other brands. We recommend to that you consider the minimum dimension of cut-out size in the case of new installation. Some cutout sizes for possible replacements:

Dim .	Inches	cm
• 30"	28-15/16" x 19-9/16"	73,5 x 49,7
• 36"	34-5/16" x 19-9/16"	87,2 x 49,7

COOKTOP INSTALLATION



WARNING

- **Excessive Weight Hazard**

Use two or more people to move and install cooktop. Failure to do so can result in back or other injury.

- **Cut Hazard**

Beware of sharp edges. Use the polystyrene ends when carrying the product. Failure to use caution could result in minor injury or cuts.

- Always consult the countertop manufacturer for specific instructions.
- Ensure the countertop is square and level and ensure no structural members interfere with space requirements.
- Prepare the cut-out according to the instructions (see cut-out dimensions).
- Make sure the wall coverings, countertop and cabinets around the cooktop can withstand heat (up to 200 °F / 93 °C).

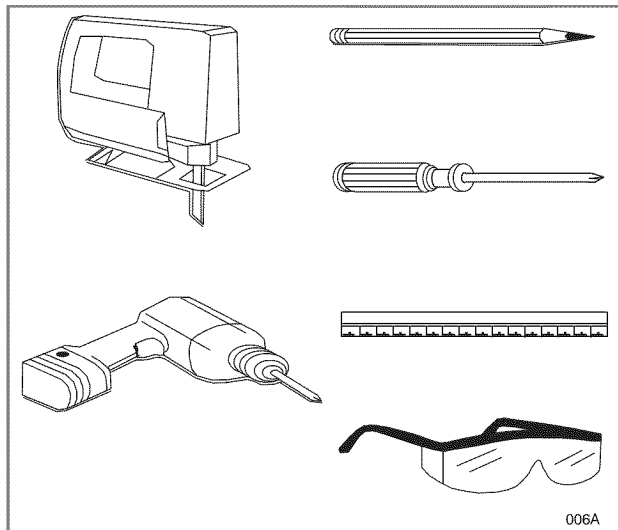


Figure 4. Tools you will need

Step 1

Remove packaging materials and literature package from the cooktop before beginning installation.

Remove installation manual from literature pack and read them carefully before you begin.

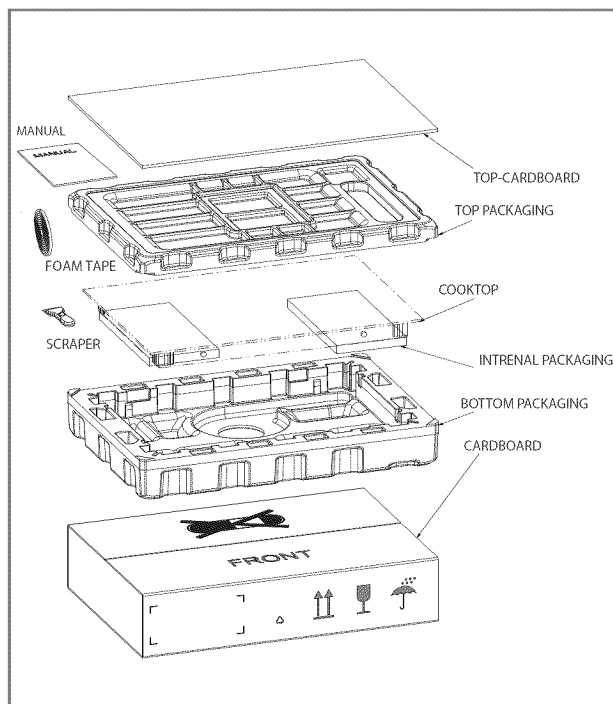


Figure 5. Parts

Step 2

Place a towel or table cloth onto the counter top. Lay the cooktop upside down onto the protected surface.

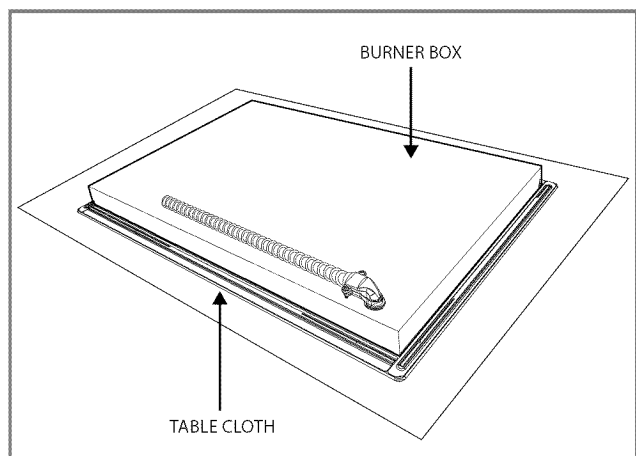


Figure 6

Step 3

A foam tape is provided to seal the cooktop edges to the countertop. Apply tape approximately 1/16" (1.5 mm) from the glass edge to the underside of the cooktop glass. Use tape around the entire glass perimeter. Cut off excess where tape ends butt.

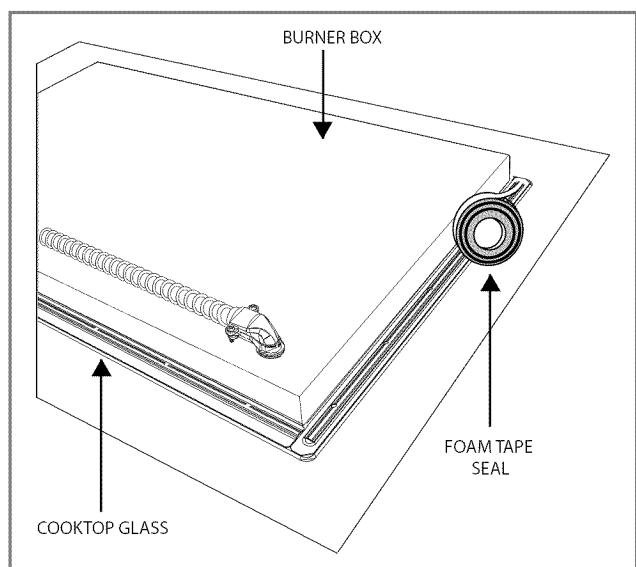


Figure 7

Step 4

Insert the cooktop centered into the cutout opening. Make sure the front edge of the counter top is parallel to the cooktop. Make final check that all required clearances are met.

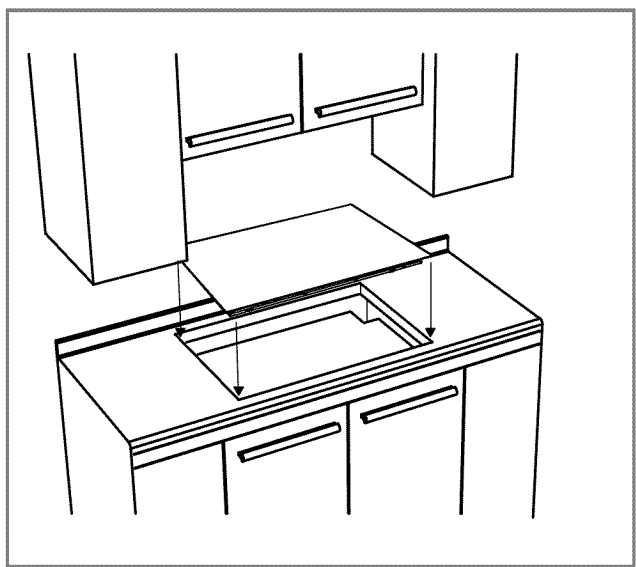


Figure 8

Step 5

Four clamp brackets are provided to clamp the cooktop to the countertop. Tighten screws just enough to hold brackets in place when cooktop is put into cutout. Tighten screws securely.

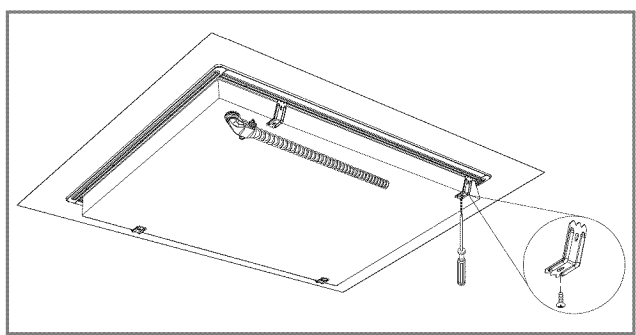


Figure 9

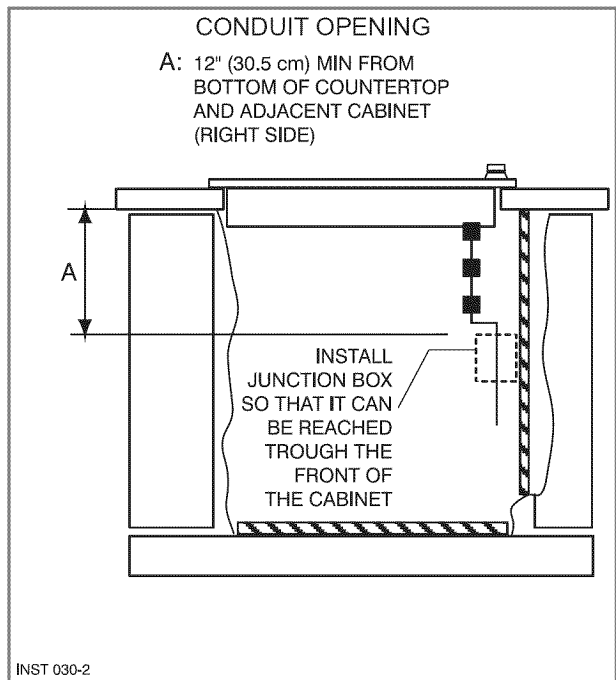


Figure 10

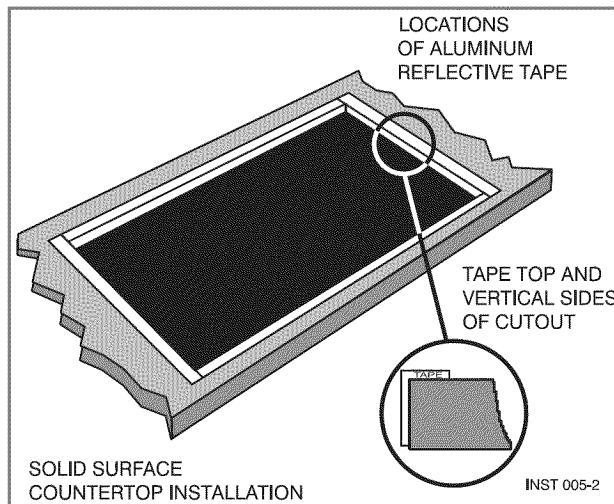


Figure 11

⚠ WARNING

THE CONDUIT IS 4 FEET LONG

The junction box, must be located where it will allow considerable slack in the conduit for serviceability.

Important:

- For solid surface material installations such as Surel™ and Corian®, consult with solid surface manufacturer. Apply heat reflective tape such as Scotch® Aluminum Foil Tape #425 or #427 around the cutout so that it folds over on the top and sides.
- Do not wrap the tape underneath the cooktop. Be sure the tape extends beyond the outermost flange of the cooktop. All corners should be covered with tape.

ELECTRICAL CONNECTIONS



DANGER

Disconnect power before servicing the product. Failure to do so could result in death or electrical shock.

General information



WARNING

- The DECT series models may be powered at 240V or 208V.

This cooktop does not require a neutral connection. If the cooktop is to be completely enclosed in a cabinet, feed the cooktop cable through the opening in the cabinet. Make the electrical connection following the appropriate steps for your installation. Your cooktop must be connected to the proper electrical voltage and frequency as specified in the table on the right.

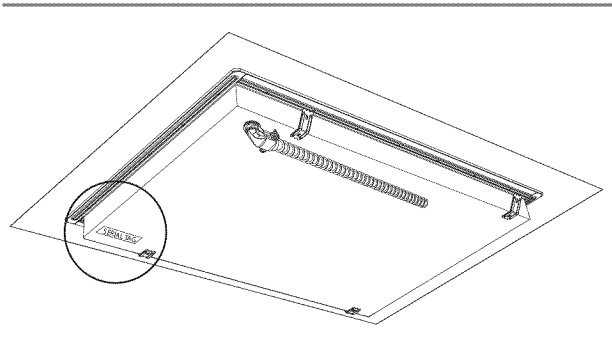


Figure 12. Location of serial tag

Connect with copper wire only

If the house has aluminum wiring, follow the procedure below:

1. Connect the aluminum wiring to the copper wire by using special connectors designed and Underwriters Laboratories-listed for joining copper to aluminum. Follow the electrical connector manufacturer's recommended procedure.
2. Aluminum/copper connection must conform with local codes and industry-accepted wiring practices.

The flexible conduit (supplied) 4 feet long (123 cm) located at the right rear of the cooktop bottom box should be connected directly to junction box. Do not cut or lengthen the conduit. A U.L - or CSA - listed conduit connector must be provided at each end of the power supply cable (at the cooktop and at the junction box.) A time delay fuse or circuit breaker is recommended. Do not ground to a gas pipe. Do not have a fuse in the grounding or neutral circuit. Fuse both supply (phase) lines.



WARNING

Improper connection of aluminum house wiring to the copper leads can result in a serious problem.

Model	Power Supply				Approval code
	240 V 60 Hz		208 V 60 Hz		
30" DECT304	6,7kW	28A	5,03kW	24A	514T40NA
36" DECT365	9,4kW	39A	7,06kW	34A	514V50NC

National Fire Protection Association

Batter/march Park Quincy, Massachusetts 02269

A three-wire, single phase, 240 Volt 60 cycle electrical system (properly circuit protected to meet Local Codes of NFPA No.70) must be provided. Unit must be properly grounded in accordance with local wiring code. The chart below recommends the minimum circuit protector and wire size if the appliance is the only unit on the circuit. If smaller sizes of wire are used, the unit efficiency will be reduced and a fire hazard may be created. It is advisable that the electrical wiring and hookup be accomplished by a competent electrician.

Recommended Minimum		
kW Rating on serial plate	Circuit protection in amperes	Wire size (AWG)
0-4.8	20	12
4.9-6.9	30	10
7.0-9.9	40	8
10.0-11.9	50	8
12.0-14.9	60	6

Be sure your appliance is properly installed and grounded by a qualified technician. Ask your dealer to recommend a qualified technician or an authorized repair service. This cooktop does not require a neutral connection. If the cooktop is to be completely enclosed in a cabinet, feed the cooktop cable through the opening in the cabinet. Make the electrical connection following the appropriate steps for your installation.

This appliance is manufactured with a green ground wire connected to the cooktop chassis. After making sure that the power has been turned off, connect the flexible conduit from the cooktop to the junction box using a U.L. listed conduit connector. Figures 13 and 14 and the instructions provided below present the most common way of connecting the cooktops. Your local codes and ordinances, of course, take precedence over these instructions. Complete electrical connections according to local codes and ordinances.



Risk of Electric Shock, frame grounded to neutral of appliance through a link.

Grounding through the neutral conductor is prohibited for new branch-circuit installations (1996 NEC); mobile homes; and recreational vehicles, or in an area where local codes prohibit grounding through the neutral conductor.

3-Wire branch circuit

Where local codes allow the connection of ground wire from the cooktop to the branch circuit neutral wire (gray or white colored wire) proceed as follows (see figure 13).

1. If local codes permit, connect the green GROUND wire from the cooktop to the branch circuit neutral wire (gray or white colored wire).
2. Connect the red and black leads from the cooktop to the corresponding leads in the junction box.

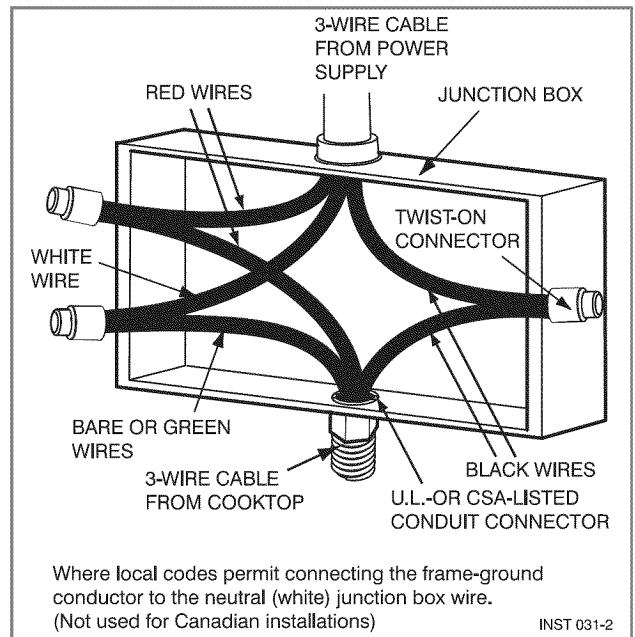


Figure 13.

4-Wire branch circuit

Refer to figure 14:

1. Connect the green ground wire from the cooktop to the ground wire in the junction box (bare or green colored wire).
2. Connect the red and black leads from the cooktop to the corresponding leads in the junction box.
3. Connect the white wire from the cooktop to the neutral (gray or white) wire in the junction box.
4. Terminate and insulate the neutral (gray or white colored wire) in the junction box.

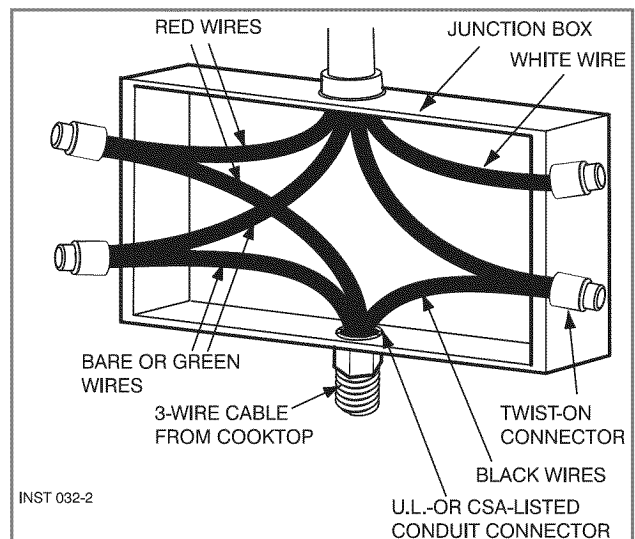


Figure 14.



Cod. 09DR5800 ed 11-11