

8563462

---

**Installation Instructions  
Undercounter Dishwasher  
(Plastic Giant Tub Models)**

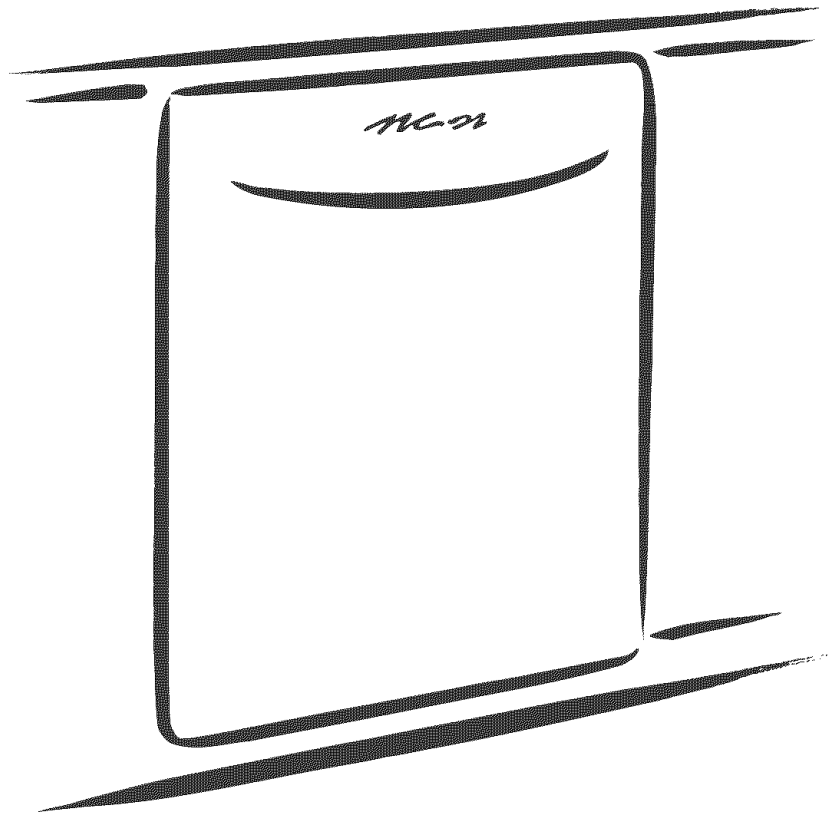
---

**Instrucciones de Instalación  
Lavavajillas empotrado  
(modelos con tina gigante de plástico)**

---

**Instructions d'installation  
Lave-vaisselle encastré  
(modèles à très grande cuve en plastique)**

---



## Table of Contents

Dishwasher Safety	2
Installation Requirements	3
Tools and parts	3
Location Requirements	3
Drain Requirements	5
Water Supply Requirements	5
Electrical Requirements	5

Installation Instructions	6
Prepare cabinet opening using existing utility hookups	6
Prepare cabinet opening where there are no existing utility hookups	7
Prepare dishwasher	9
Make electrical connection	11
Connect to water supply	12
Connect to drain	13
Secure dishwasher in cabinet opening	13

## Dishwasher Safety

### Your safety and the safety of others are very important.

We have provided many important safety messages in this manual and on your appliance. Always read and obey all safety messages.



This is the safety alert symbol.

This symbol alerts you to potential hazards that can kill or hurt you and others.

All safety messages will follow the safety alert symbol and either the word "DANGER" or "WARNING."

These words mean:

**⚠ DANGER**

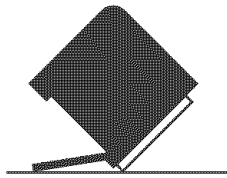
You can be killed or seriously injured if you don't immediately follow instructions.

**⚠ WARNING**

You can be killed or seriously injured if you don't follow instructions.

All safety messages will tell you what the potential hazard is, tell you how to reduce the chance of injury, and tell you what can happen if the instructions are not followed.

**⚠ WARNING**



**Tip Over Hazard**

**Do not use dishwasher until completely installed.**

**Do not push down on open door.**

**Doing so can result in serious injury or cuts.**

### You need to:

- Slowly open dishwasher door while someone grasps the rear of the dishwasher. Remove shipping materials, drain hose and lower rack. Close dishwasher door until latched.
- Observe all governing codes and ordinances.
- Install this dishwasher as specified in these instructions.
- Installation should be performed by a qualified service technician. The dishwasher must be installed to meet all electrical and plumbing national and local codes and ordinances.

# Installation Requirements

## Tools and Parts

Gather the required tools and parts before starting installation. Read and follow the instructions provided with any tools listed here.

### All installations

#### Tools needed:

- pliers
- Phillips screwdriver
- 5/16" and 1/4" nut drivers or hex sockets
- measuring tape or ruler
- 10" adjustable wrench that opens to 1-1/8" (2.9 cm)
- flat-blade screwdriver
- utility knife
- 2 twist-on wire connectors which are the proper size to connect your household wiring to 16-gauge wiring in dishwasher
- small level

- flashlight
- shallow pan
- 5/8" open-end wrench
- bath towel
- wood block

#### Parts needed:

- 90° elbow with 3/8" N.P.T. external threads on one end. (The other end must fit your water supply line.)
- Teflon® tape or pipe joint compound
- shims (if installed with built-up floor)

### In addition, for new installations

#### Tools needed:

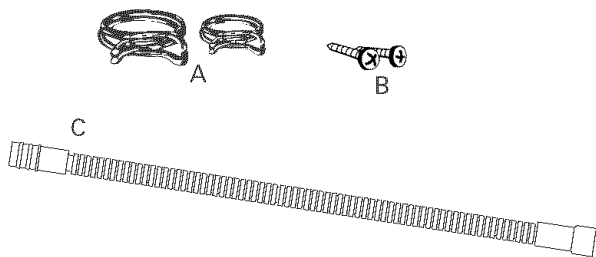
- electric drill with 1/2", 3/4" and 1-1/2" hole saw bits
- small tubing cutter
- wire stripper
- 1-1/2"-2" screw-type clamp if connecting to waste-tee

#### Parts needed:

- copper tubing (3/8" recommended) or flexible stainless steel braided fill line
- clamp connector or conduit connector to fit a 7/8" (2.2 cm) diameter hole

#### Parts supplied

- A. 2 – drain hose clamps, 1 large and 1 small
- B. 2 – # 10 x 1/2" Phillips-head screws
- C. drain hose



Make sure all these parts are included. If not included, call 1-800-4MY-HOME.

See separate parts list for accessories available for your dishwasher.

## Location Requirements

Do not run drain lines, water lines or electrical wiring where they can interfere with or contact dishwasher motor or legs.

The location where the dishwasher will be installed must provide clearance between motor and flooring. Motor should not touch the floor.

Do not install dishwasher over carpeted flooring.

Protect dishwasher and water lines leading to dishwasher against freezing. Damage from freezing is not covered by the warranty.

A side panel kit is available from your dealer for installing your dishwasher at the end of your cabinetry.

A moisture barrier accessory (Part No. 4396277) is available from your dealer for installing underneath the countertop, but is not required. This may also be obtained by calling 1-800-4MY-HOME.

Check location where dishwasher will be installed. The location must provide:

- easy access to water, electricity and drain.
- convenient access for loading and unloading dishes. Corner locations require a 2" (5.1 cm) minimum clearance between the side of the dishwasher door and the wall or cabinet.
- square opening for proper operation and appearance.
- cabinet front perpendicular to floor.
- level floor. (If floor at front of opening is not level with floor at rear of opening, shims may be needed to level dishwasher.)

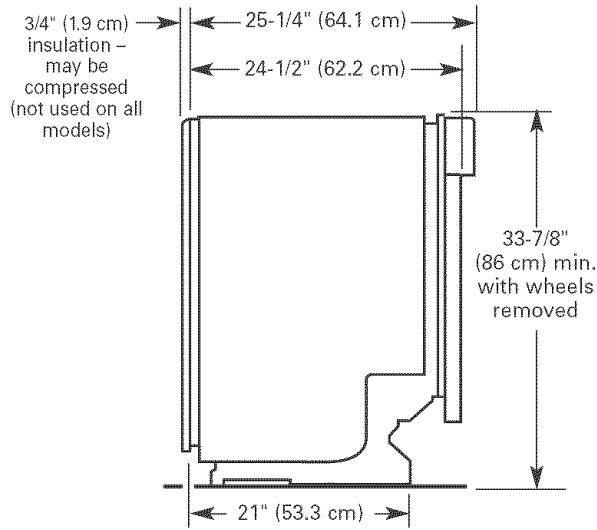
**NOTE:** To prevent shifting during dishwasher operation, shims must be securely attached to the floor.

If dishwasher will be left unused for a period of time or in a location where it may be subject to freezing, have it winterized by authorized service personnel.

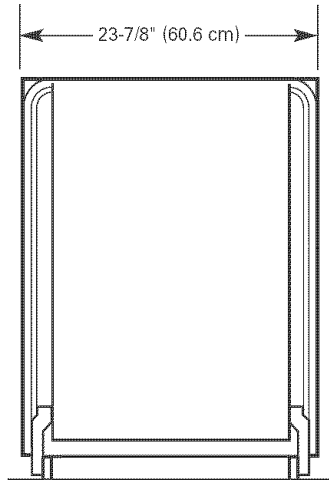
Make sure pipes, wires and drain hose are within the shaded area shown in the "Cutout dimensions" section.

**Helpful Tip:** If the floor in the dishwasher opening is uneven (example: tile flooring only partway into opening) you will need to take special care in measuring dimensions and in leveling dishwasher.

## Product dimensions

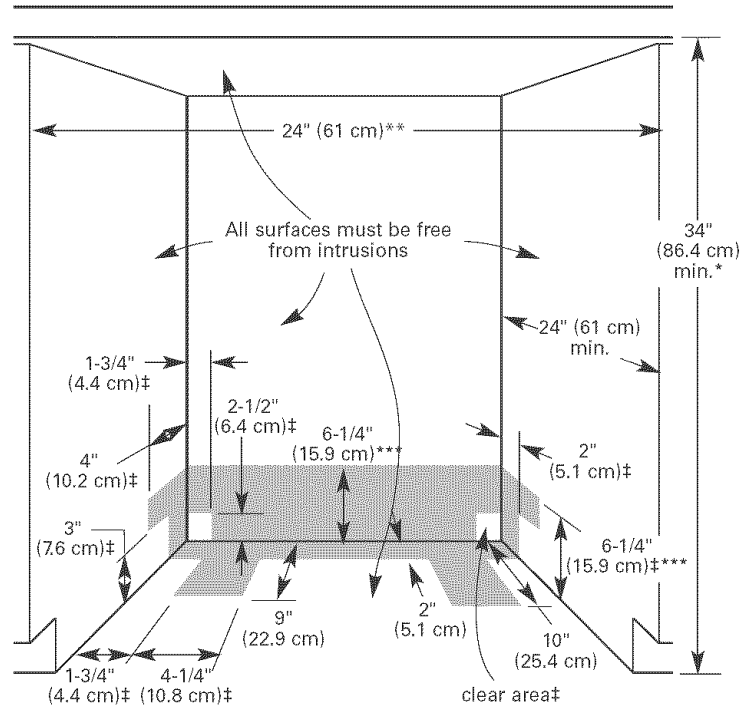


SIDE VIEW



REAR VIEW

## Cutout dimensions



Cut holes in shaded area of cabinet walls or floor as specified below:

- water line – 1/2" (1.3 cm)
- drain line – 1-1/2" (3.8 cm)
- direct wire – 3/4" (1.9 cm)
- power supply cord – 1-1/2" (3.8 cm)

\* Measured from the lowest point on the underside of countertop. May be reduced to 33-7/8" (86 cm) by removing wheels from dishwasher.

\*\* Minimum, measured from narrowest point of opening.

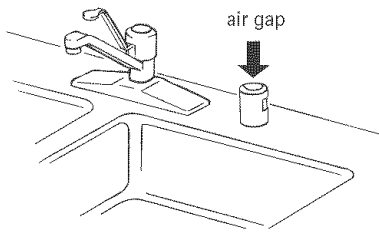
\*\*\* May be increased to 6-7/8" (17.5 cm) if height of opening is 34-1/2" (87.6 cm) at its lowest point.

‡ Both sides



## Drain Requirements

- Use the new drain hose supplied with your dishwasher. If this is not long enough, use a new drain hose with a maximum length of 12 feet (3.7 m) that meets all current AHAM/IAPMO test standards, is resistant to heat and detergent, and fits the 1" (2.5 cm) drain connector of the dishwasher.
- Connect drain hose to waste tee or disposer inlet above drain trap in house plumbing and 20" (50.8 cm) minimum above the floor. It is recommended that the drain hose either be looped up and securely fastened to the underside of the counter, or be connected to an air gap.



- Use an air gap if the drain hose is connected to house plumbing lower than 20" (50.8 cm) above subfloor or floor.
- Use 1/2" minimum I.D. drain line fittings.

## Water Supply Requirements

- A hot water line with 20-120 psi (138-862 kPa) water pressure.
- 120°F (49°C) water at dishwasher.
- 3/8" O.D. copper tubing with compression fitting or flexible stainless steel braided fill line (1/2" minimum plastic tubing is not recommended).
- A 90° elbow with 3/8" N.P.T. external pipe threads on one end.

Do not solder within 6" (15.2 cm) from water inlet valve.

## Electrical Requirements

Contact a qualified electrician.

Assure that the electrical installation is adequate and in conformance with all national and local codes and ordinances.

You must have:

- 120-volt, 60 Hz, AC-only, 15 or 20 amp., fused electrical supply.
- Copper wire only.

We recommend:

- A time-delay fuse or circuit breaker.
- A separate circuit.

### If direct wiring dishwasher:

- Use flexible, armored or non-metallic sheathed, copper wire with grounding wire that meets the wiring requirements for your home and local codes and ordinances.
- Use strain relief method provided with house wiring junction box or install a U.L.-listed/CSA-certified clamp connector to the house wiring junction box. If using conduit, use a U.L.-listed/CSA-certified conduit connector.

### If connecting dishwasher with a power supply cord:

- Use Power Supply Cord Kit (Part No. 4317824) marked for use with dishwashers. Kit contents include:
  - Volex, Inc., UL listed 16 gauge 3 wire power supply cord with 3 prong grounded plug.
  - Neer C-500 7/8 inch strain relief.
  - 3 wire connectors.
  - Part No. 302797 grommet

Follow the kit instructions for installing the power supply cord.

- Power supply cord must plug into a mating three prong, grounded outlet, located in the cabinet next to the dishwasher opening. Outlet must meet all local codes and ordinances.

# Installation Instructions

## ⚠ WARNING



### Electrical Shock Hazard

Disconnect electrical power at the fuse box or circuit breaker box before installing dishwasher.

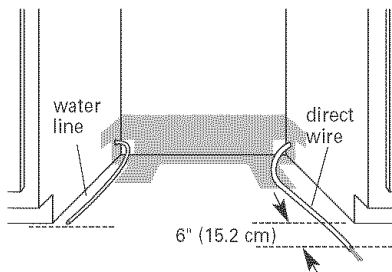
Failure to do so can result in death or electrical shock.

1. Disconnect power.
2. Turn off water supply.

## Prepare cabinet opening using existing utility hookups

- Follow the steps in this section if you are installing the dishwasher in an existing cabinet opening with utility hookups.
- If you are installing the dishwasher in a cabinet opening that does not have hookups, follow the steps under "Prepare cabinet opening where there are no existing utility hookups" section.

1. Check that the water line reaches to the front left of opening where the water connection will be made.
2. Check that the direct wire reaches to the front right of opening where the electrical connection will be made.

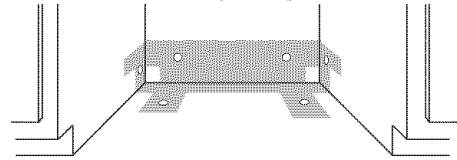


If the water line and the direct wire reach far enough into the opening, proceed to the next section "Install the drain hose." If they do not reach far enough, follow the steps under "Prepare cabinet opening where there are no existing utility hookups."

## Install the drain hose

**IMPORTANT:** Always use a new drain hose even when installing a new replacement dishwasher.

1. Drill a 1-1/2" (3.8 cm) diameter hole in cabinet wall or floor on the side of the opening closest to the sink.



2. Connect drain hose to waste tee or waste disposer using one of the following methods:

- Option 1, Waste disposer – with air gap
- Option 2, No waste disposer – with air gap
- Option 3, Waste disposer – no air gap\*
- Option 4, No waste disposer – no air gap\*

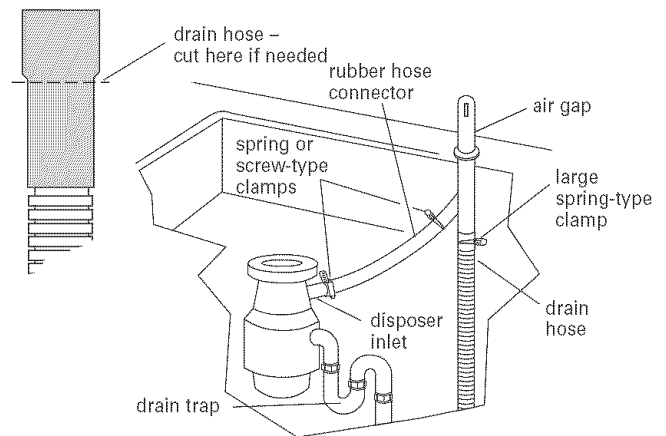
\*an air gap is recommended

**Helpful Tip:** To reduce the vibration of the hose, keep the hose away from the floor and the edge of the hole where it passes through the cabinet.

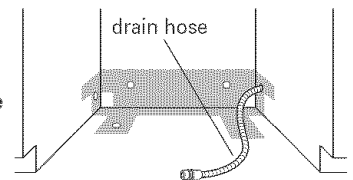
### Option 1, Waste disposer – with air gap:

1. Remove the disposer knockout plug. Cut end of drain hose if needed (do not cut ribbed section).
2. Attach drain hose to air gap with large spring-type clamp. If the drain hose was cut, use a 1-1/2" to 2" (3.8 to 5 cm) screw-type clamp\*.
3. Use a rubber hose connector\* with spring or screw-type clamps\* to connect air gap to disposer inlet.

This connection must be before the drain trap and at least 20" (50.8 cm) above the floor where dishwasher will be installed.



4. Insert drain hose through hole cut in cabinet to the front center of opening where drain connection will be made.

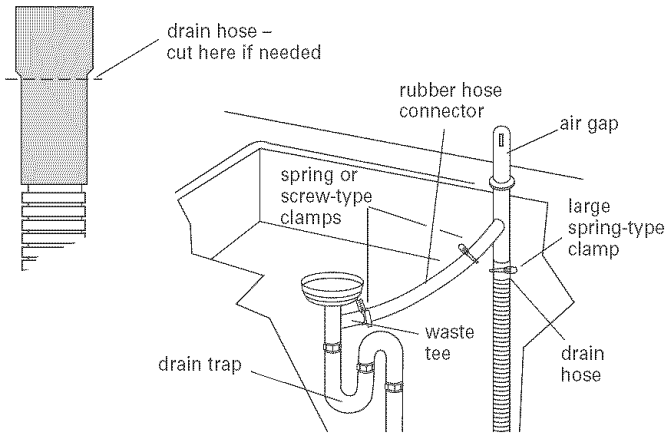


\* Parts available from local plumbing supply stores

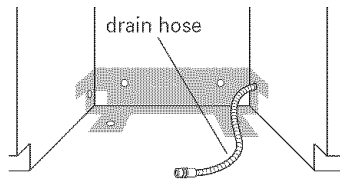
### Option 2, No waste disposer – with air gap:

1. Cut end of drain hose if needed (do not cut ribbed section).
2. Attach drain hose to air gap with large spring-type clamp. If the drain hose was cut, use a 1-1/2" to 2" (3.8 to 5 cm) screw-type clamp\*.
3. Use a rubber hose connector\* with spring or screw-type clamps\* to connect air gap to waste tee.

This connection must be before the drain trap and at least 20" (50.8 cm) above the floor where dishwasher will be installed.



4. Insert drain hose through hole cut in cabinet to the front center of opening where drain connection will be made.

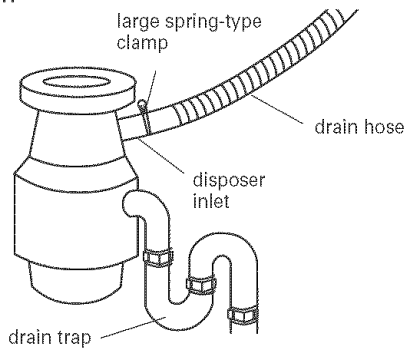


\* Parts available from local plumbing supply stores

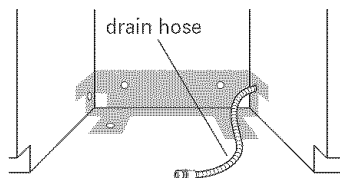
### Option 3, Waste disposer – no air gap:

1. Remove the disposer knockout plug. Do not cut end of drain hose.
2. Attach drain hose to disposer inlet with large spring-type clamp.

This connection must be before the drain trap and at least 20" (50.8 cm) above the floor where dishwasher will be installed. It is recommended that the drain hose be looped up and securely fastened to the underside of the counter.



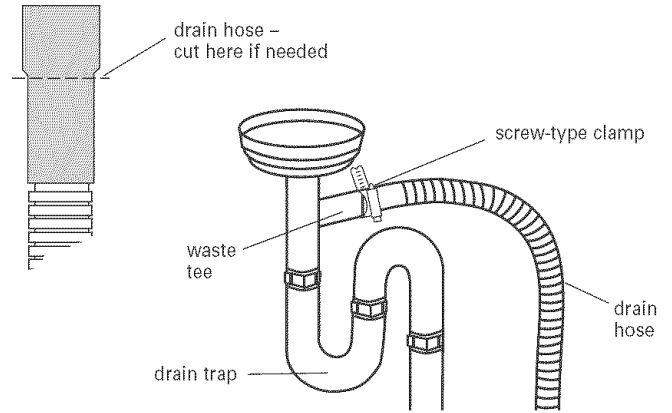
3. Insert drain hose through hole cut in cabinet to the front center of opening where drain connection will be made.



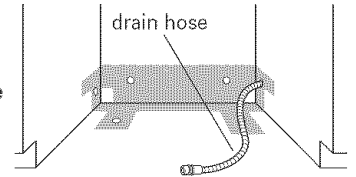
### Option 4, No waste disposer – no air gap:

1. Cut end of drain hose if needed (do not cut ribbed section).
2. Attach drain hose to waste tee with 1-1/2" to 2" (3.8 to 5 cm) screw-type clamp\*.

This connection must be before the drain trap and at least 20" (50.8 cm) above the floor where dishwasher will be installed. It is recommended that the drain hose be looped up and securely fastened to the underside of the counter.



3. Insert drain hose through hole cut in cabinet to the front center of opening where drain connection will be made.



\* Parts available from local plumbing supply stores

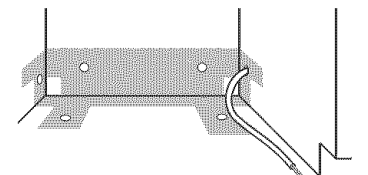
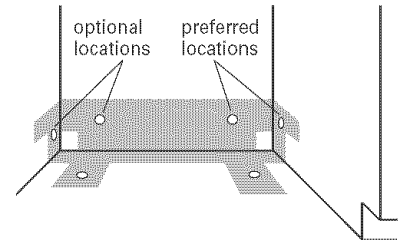
## Prepare cabinet opening where there are no existing utility hookups

### Electrical connection

#### Option1, Direct wire method:

**Helpful Tip:** Wiring the dishwasher will be easier if you route wire into the cabinet opening from the right side.

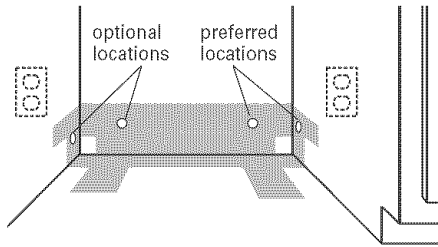
1. Drill a 3/4" (1.9 cm) hole in right-hand cabinet side, rear or floor. Preferred and optional locations are shown.
2. Wood cabinet: Sand hole until smooth.  
Metal cabinet: Cover hole with grommet, not provided.
3. Run wire into house wiring junction box.
4. Install a U.L.-listed/CSA-certified clamp connector (strain relief) for flexible-type wire. If installing conduit, attach a U.L.-listed/CSA-certified conduit connector to the junction box.
5. Run other end of wire through cabinet hole. Cable must extend to the right front of cabinet opening.



### Option 2, Power supply cord method:

**NOTE:** A mating, three prong, ground-type wall receptacle is required in a cabinet next to the dishwasher opening.

1. Drill a 1-1/2" (3.8 cm) hole in the cabinet rear or side. Preferred and optional locations are shown.



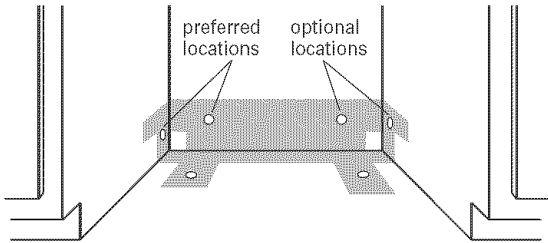
2. Wood cabinet: Sand hole until smooth.

Metal cabinet: Cover hole with grommet (Part No. 302797) included with power supply cord kit.

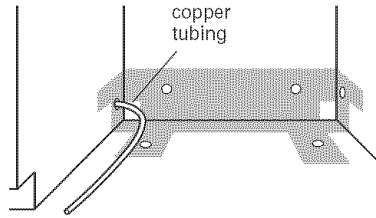
### Install the water line

**Helpful Tip:** Routing the water line through the left side of cabinet opening will make water connection easier.

1. Drill a minimum 1/2" (1.3 cm) hole in the cabinet side, rear or floor. Preferred and optional locations are shown.



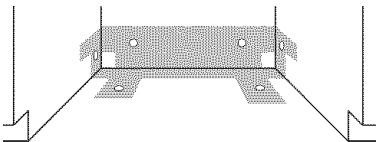
2. Measure overall length of copper tubing required.
3. Attach copper tubing to the water line with a manual shutoff valve.
4. Slowly feed copper tubing through hole in cabinet. Copper tubing will bend and kink easily, so be gentle. The copper tubing should be far enough into the cabinet opening to connect it to dishwasher inlet on the front left of the dishwasher.
5. Turn water shutoff valve to "ON" position. Flush water into a shallow pan to get rid of particles that may clog the inlet valve.
6. Turn shutoff valve to "OFF" position.



### Install the drain hose

**IMPORTANT:** Always use a new drain hose.

1. Drill a 1-1/2" (3.8 cm) diameter hole in cabinet wall or floor on the side of the opening closest to the sink.



2. Connect drain hose to waste tee or waste disposer using one of the following methods:

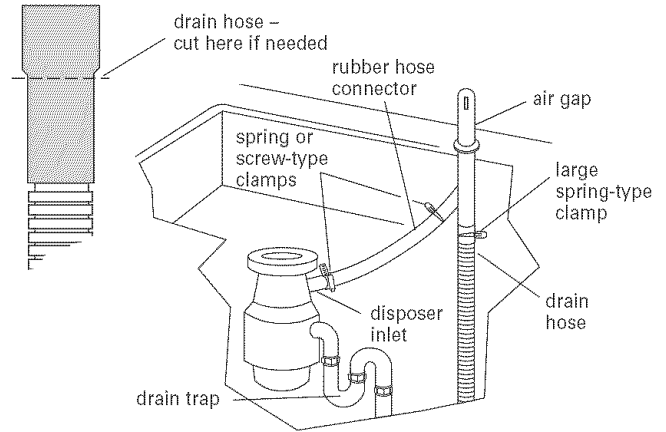
- Option 1, Waste disposer – with air gap
- Option 2, No waste disposer – with air gap
- Option 3, Waste disposer – no air gap\*
- Option 4, No waste disposer – no air gap\*

\*an air gap is recommended

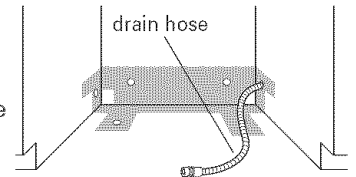
**Helpful Tip:** To reduce the vibration of the hose, keep the hose away from the floor and the edge of the hole where it passes through the cabinet.

### Option 1, Waste disposer – with air gap:

1. Remove the disposer knockout plug. Cut end of drain hose if needed (do not cut ribbed section).
2. Attach drain hose to air gap with large spring-type clamp. If the drain hose was cut, use a 1-1/2" to 2" (3.8 to 5 cm) screw-type clamp\*.
3. Use a rubber hose connector\* with spring or screw-type clamps\* to connect air gap to disposer inlet. This connection must be before the drain trap and at least 20" (50.8 cm) above the floor where dishwasher will be installed.



4. Insert drain hose through hole cut in cabinet to the front center of opening where drain connection will be made.

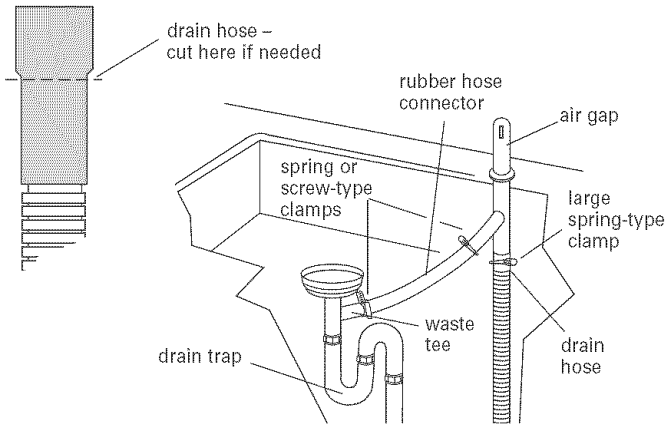


\* Parts available from local plumbing supply stores

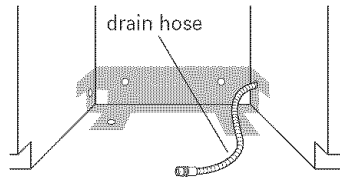
### Option 2, No waste disposer – with air gap:

1. Cut end of drain hose if needed (do not cut ribbed section).
2. Attach drain hose to air gap with large spring-type clamp. If the drain hose was cut, use a 1-1/2" to 2" (3.8 to 5 cm) screw-type clamp\*.
3. Use a rubber hose connector\* with spring or screw-type clamps\* to connect air gap to waste tee.

This connection must be before the drain trap and at least 20" (50.8 cm) above the floor where dishwasher will be installed.



4. Insert drain hose through hole cut in cabinet to the front center of opening where drain connection will be made.

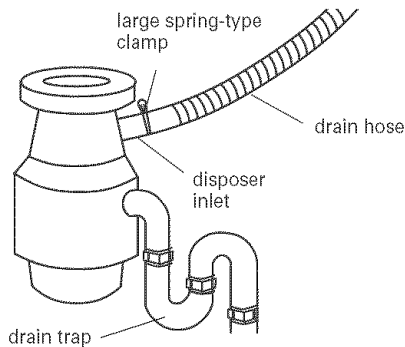


\* Parts available from local plumbing supply stores

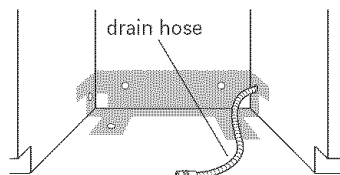
### Option 3, Waste disposer – no air gap:

1. Remove the disposer knockout plug. Do not cut end of drain hose.
2. Attach drain hose to disposer inlet with large spring-type clamp.

This connection must be before the drain trap and at least 20" (50.8 cm) above the floor where dishwasher will be installed. It is recommended that the drain hose be looped up and securely fastened to the underside of the counter.



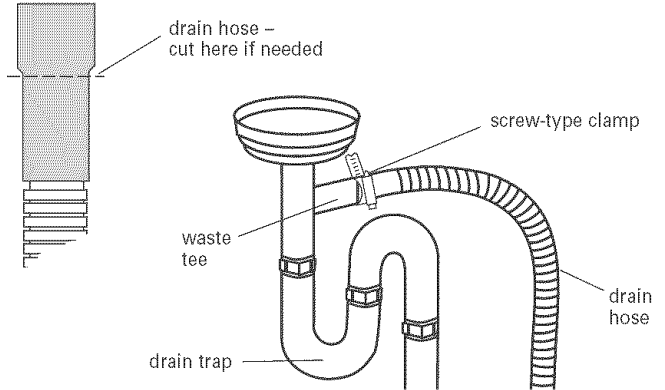
3. Insert drain hose through hole cut in cabinet to the front center of opening where drain connection will be made.



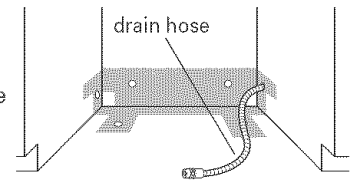
### Option 4, No waste disposer – no air gap:

1. Cut end of drain hose if needed (do not cut ribbed section).
2. Attach drain hose to waste tee with 1-1/2" to 2" (3.8 to 5 cm) screw-type clamp\*.

This connection must be before the drain trap and at least 20" (50.8 cm) above the floor where dishwasher will be installed. It is recommended that the drain hose be looped up and securely fastened to the underside of the counter.



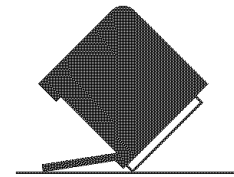
3. Insert drain hose through hole cut in cabinet to the front center of opening where drain connection will be made.



\* Parts available from local plumbing supply stores

## Prepare dishwasher

### ⚠ WARNING



#### Tip Over Hazard

Do not use dishwasher until completely installed.

Do not push down on open door.

Doing so can result in serious injury or cuts.

### ⚠ WARNING

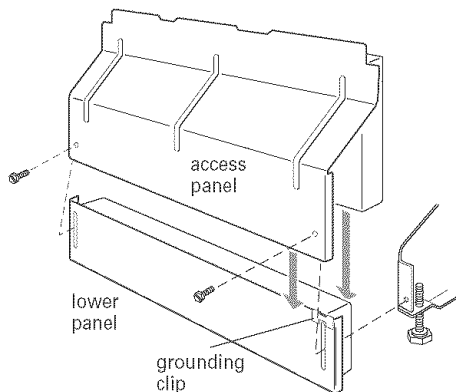
#### Excessive Weight Hazard

Use two or more people to move and install dishwasher.

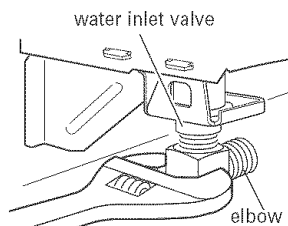
Failure to do so can result in back or other injury.

1. Grasp sides of dishwasher door frame and put dishwasher on its back.

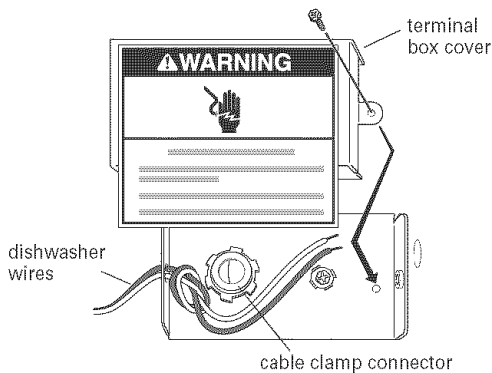
- Remove two screws attaching access panel and lower panel to dishwasher using a 1/4" hex socket, nut driver or Phillips screwdriver.
- Remove panels and set panels aside on a protective surface.
- Check that grounding clip is attached to the lower panel.



- Apply Teflon® tape or pipe joint compound to 90° elbow fitting and connect fitting to water inlet valve.
- Tighten elbow until snug, and be sure that it faces to the rear.
- Remove terminal box cover. Pull appliance wires through hole in terminal box. Do not untie the knot in the wires.

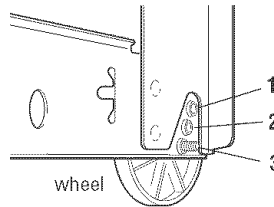
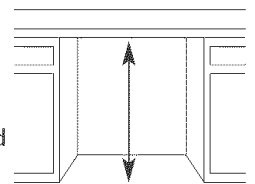


- If you are direct wiring: install a U.L.-listed/CSA-certified clamp connector to the terminal box. If using conduit, use a U.L.-listed/CSA-certified conduit connector.
- If you are installing a power supply cord kit, do so now, following kit instructions.



**Helpful Tip:** Put cardboard under dishwasher until it is installed in cabinet opening. The cardboard will help protect floor covering during installation.

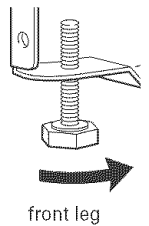
- Measure height of cabinet opening from underside of countertop to floor where dishwasher will be installed (you need the lowest point). Check chart for that height opening. Put wheels in the required position.



Minimum cutout height	Wheel position	Number of turns on front leg
34" (86.4 cm)	1	10
34-1/4" (87 cm)	2	5
34-1/2" (87.6 cm)	3	0

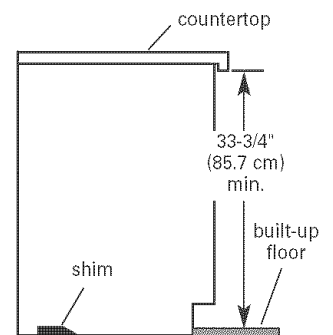
- Turn both front leveler legs to the same height.

If the minimum cutout height is less than 34" (86.4 cm), the rear wheels can be removed for additional clearance. This will allow the dishwasher to fit into a 33-7/8" (86 cm) high cutout, but the dishwasher will be more difficult to move into position. If the wheels are removed, protect the floor when moving the dishwasher.

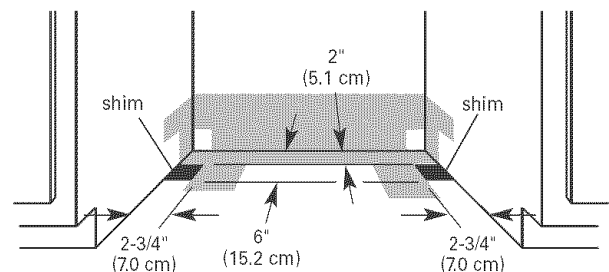


### If you have built-up floors

- Measure height of opening from underside of countertop to built-up floor. If the height is at least 33-3/4" (85.7 cm), the dishwasher will fit into the opening without modification to the countertop or flooring.
- Put wheels in position 1 and turn the front leveler legs up all the way.
- Add shims as needed in the area shown to bring dishwasher up to proper height.



**NOTE:** Shims must be securely attached to floor to prevent their movement when the dishwasher is operated.



### Install custom door panel kit (on some models)

If installing a custom door panel kit, install in now following instructions included with kit.

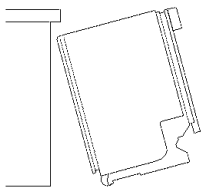
## Move dishwasher into cabinet opening

### **⚠ WARNING**

#### **Excessive Weight Hazard**

Use two or more people to move and install dishwasher.  
Failure to do so can result in back or other injury.

1. Using two or more people, stand the dishwasher up.
2. Grasp the sides of the dishwasher at the edges of the door panel.
3. Tilt dishwasher backwards on wheels and move dishwasher close to cabinet opening. Do not push on the front of the panel or on the console—they may dent.



4. If dishwasher has a power supply cord, insert power supply cord into hole cut into cabinet.  
If using direct wire, check that it is on the right front side of opening.
5. Check that water line is on the left side of opening and drain hose is near the center of the hole in the cabinet.
6. Slowly move dishwasher completely into cabinet opening. Do not kink or pinch copper tubing, drain hose, power supply cord or direct wire between dishwasher and cabinet.

**Helpful Tip:** Once the dishwasher is in position, you may have to support the front of the dishwasher by raising, lowering or shimming front feet.

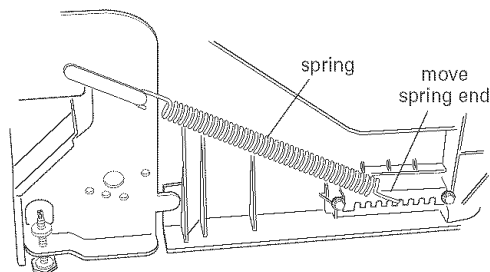
7. Remove cardboard from under dishwasher.

**NOTE:** It is all right if dishwasher fits tightly into cabinet opening. Do not remove insulation blanket—the blanket reduces the sound level.

## Check door spring tension

With another person holding the dishwasher to prevent it from tipping, open and close the door a few times. If the door closes or falls open under its own weight, the door tension will need to be adjusted.

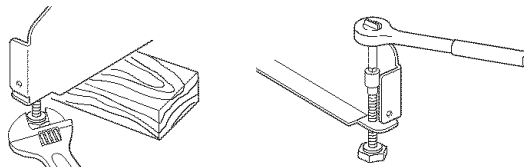
- If the door closes too quickly, decrease the spring tension by moving the spring end toward the front of the dishwasher.
- If the door falls open, increase the spring tension by moving the spring end toward the back of the dishwasher.
- Springs should be in the same notches on left and right sides.



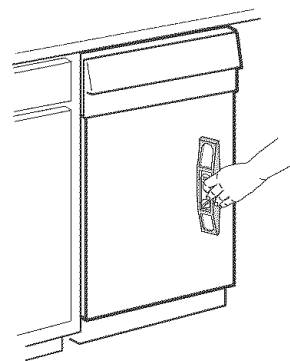
## Level the dishwasher

1. Align front of dishwasher door panel with cabinet doors. You may need to adjust alignment to be even with your cabinets.

**Helpful Tip:** Prop up one side of frame to hold dishwasher up off floor when adjusting front legs. With some installations, it may be easier to adjust the front leg using the 3/16" hex head.



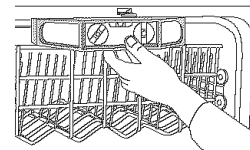
2. Check that leveling legs are firmly against the floor.
3. Close and latch the door, and place level against the front panel. Check that dishwasher is plumb. If needed, adjust leveling leg or add shims under rear wheel until dishwasher is plumb.



4. Repeat for other side of dishwasher.

**NOTE:** Shims must be securely attached to floor to prevent their movement when the dishwasher is operated.

5. Place level against top front opening of tub. Check that dishwasher is level from side to side. If dishwasher is not level, adjust front legs up or down until dishwasher is level.



## Make Electrical Connection

Check "Electrical requirements" section.

You need to:

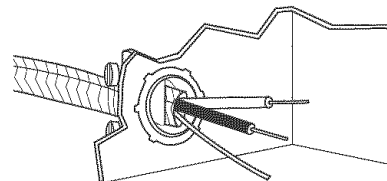
- have the correct electrical supply and recommended grounding method.

If you are:

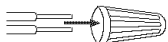
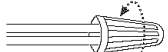


- direct wiring, use Option 1
- using a power supply cord, use Option 2

### **Option 1, Direct wire method**

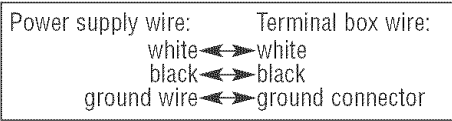
1. Route direct wire so that it does not touch dishwasher motor or lower part of dishwasher tub.
2. Pull direct wire through hole in terminal box.




**Helpful Tip:**

- Select the proper size twist-on connectors to connect your household wiring to 16-gauge dishwasher wiring. 
- Insert wire ends into twist-on connector. Do not pre-twist bare wire. 
- Twist connector. 
- Gently tug on wires to be sure both are secured. 

3. Connect the wires as follows using twist-on connectors sized to connect direct wire to 16-gauge dishwasher wire:



**⚠ WARNING**



**Electrical Shock Hazard**

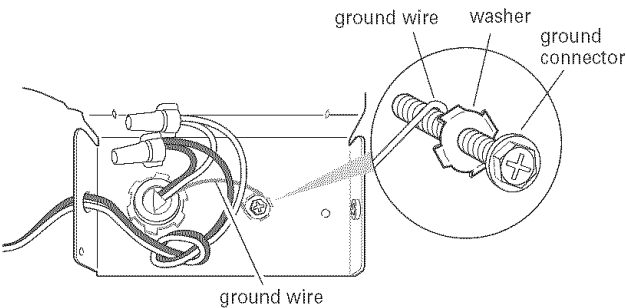
**Electrically ground dishwasher.**

**Connect ground wire to green ground connector in terminal box.**

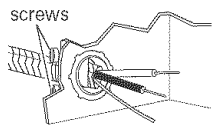
**Do not use an extension cord.**

**Failure to follow these instructions can result in death, fire, or electrical shock.**

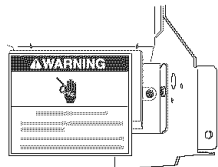
4. Form bare ground wire into a U-shaped hook. Wrap ground wire hook clockwise around ground connector and under the washer.
5. Securely tighten ground connector. Do not untie knot in the wires.



6. Tighten clamp connector or conduit connector screws.




7. Reinstall terminal box cover with wires inside terminal box. The cover must be outside the box on the left side.



8. Make sure no wires are pinched by cover.

**Option 2, Power supply cord method**

**⚠ WARNING**



**Electrical Shock Hazard**

**Plug into a grounded 3 prong outlet.**

**Do not remove ground prong.**

**Do not use an adapter.**

**Do not use an extension cord.**

**Failure to follow these instructions can result in death, fire, or electrical shock.**

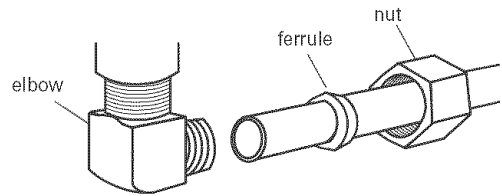
1. Plug into a grounded 3 prong outlet.
2. Check that power supply cord does not touch dishwasher motor or lower part of dishwasher tub.

**Connect to water supply**

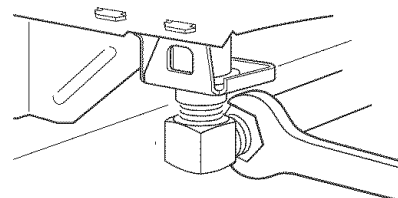
**Helpful Tip:**

Compression fittings:

- a. Slide nut onto copper tubing about 1" (2.5 cm).
- b. Slide ferrule onto the tubing. Do not position ferrule on the end of the tubing.
- c. Put the tubing into the elbow as far as it will go.
- d. Slide the nut and ferrule forward and start the nut onto the elbow threads. Be gentle when handling and positioning the copper tubing, it bends and kinks easily.



1. To prevent vibration during operation, route the water supply line so that it does not touch the dishwasher base, frame or motor.
2. With copper tubing pushed into compression fitting as far as it will go, use a wrench and tighten compression fitting nut to elbow on water inlet valve. Do not use Teflon® tape with compression fittings.

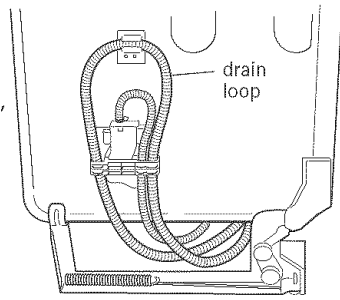


3. Place paper towel under elbow. Turn on water supply and check for leaks.

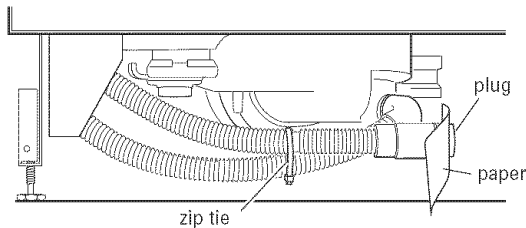


## Connect to drain

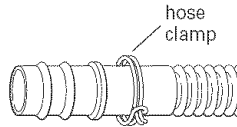
1. To help minimize vibration, route drain hose to avoid contact with motor, door springs, water line, cabinet, flooring or the edge of the hole where it passes through the cabinet.
2. Do not remove drain loop from side of dishwasher.
3. Place pan under end of drain hose. Pan will collect any water in drain hose.
4. Remove plug and paper from drain connector.



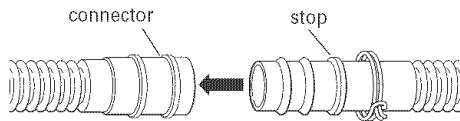
**NOTE:** Cutting the zip tie holding the end of drain hose in place may make maneuvering the drain hose easier during installation.



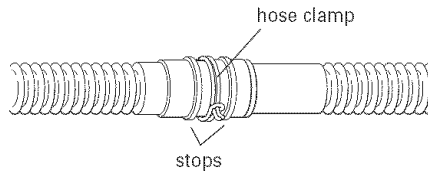
5. Place the smaller drain hose clamp onto the small end of the drain hose.



6. Push the drain hose into the connector up to the stop on the drain hose.

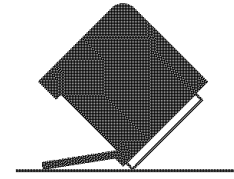


7. Use pliers to open clamp and slide clamp onto connector between stops as shown.



## Secure dishwasher in cabinet opening

### ⚠ WARNING



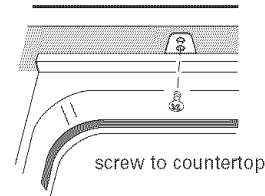
#### Tip Over Hazard

**Do not use dishwasher until completely installed.**

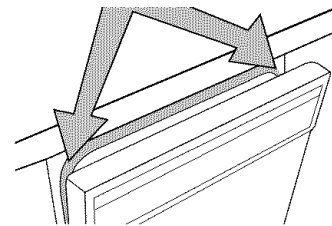
**Do not push down on open door.**

**Doing so can result in serious injury or cuts.**

1. If you have not already done so, open dishwasher door and place towel over pump assembly and spray arm of dishwasher. This will prevent screws from falling into pump area when securing dishwasher to countertop.
2. Check that dishwasher is still level and centered side to side in the opening.
3. Secure dishwasher to countertop with two, #10 x 1/2" Phillips-head screws. The dishwasher must be secured to keep it from tipping when door is opened. Do not drop screws into bottom of dishwasher.



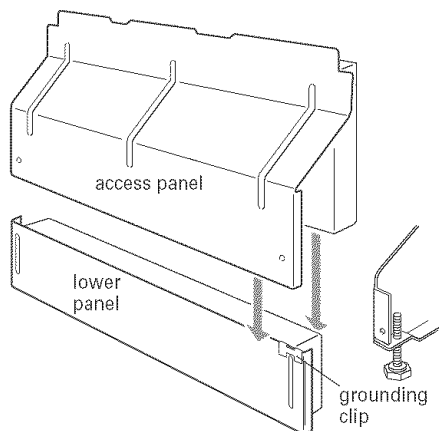
4. Open door about 3 inches (7.6 cm) and check that space between inner door and tub is equal on both sides. If spacing is not equal, loosen bracket screws and shift tub. Tighten bracket screws.
5. Check that top of door does not contact screws, brackets, or countertop. If it does, dishwasher must be lowered and re-leveled.



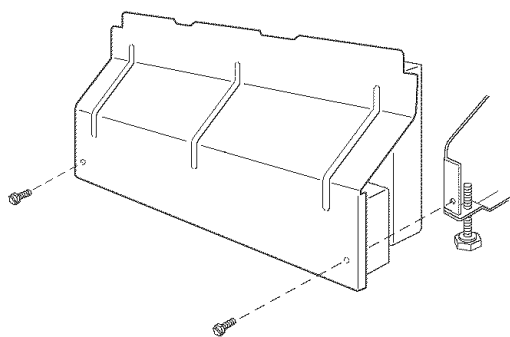
6. Remove towel from dishwasher.
7. Reinstall the lower dishrack.

## Complete installation

1. Check that grounding clip is attached to the lower panel.
2. Place the lower panel behind the access panel. Some models have insulation on the access panel which must fall behind the insulation on the lower panel.



3. Hold the two panels together and place them against dishwasher leg.
4. Reinstall the screws through the holes in the access panel and the slots in the lower panel. Install right side screw first.



5. Check that the lower edge of the lower panel contacts the floor.
6. Tighten the screws.

### Direct wire method:

## ⚠ WARNING



### Electrical Shock Hazard

Electrically ground dishwasher.

Connect ground wire to green ground connector in terminal box.

Do not use an extension cord.

Failure to follow these instructions can result in death, fire, or electrical shock.

### Power supply cord method:

## ⚠ WARNING



### Electrical Shock Hazard

Plug into a grounded 3 prong outlet.

Do not remove ground prong.

Do not use an adapter.

Do not use an extension cord.

Failure to follow these instructions can result in death, fire, or electrical shock.

7. Reconnect power or plug in dishwasher.

## Check operation

1. Read the Use and Care Guide that came with your dishwasher.
2. Check that all parts have been installed and no steps were skipped.
3. Check that you have all the tools you used.
4. Start dishwasher and allow it to complete the shortest wash cycle. After the first two minutes, unlatch door, wait five seconds, then open door.
5. Check to see that there is water in the bottom of the dishwasher tub. Check that dishwasher is working properly.
6. If not, disconnect power or unplug dishwasher and see "If dishwasher does not operate" section.

---

## **If dishwasher does not operate**

First try the solutions suggested here to possibly avoid the cost of a service call.

- Has the circuit breaker tripped or the house fuse blown?
- Is the door closed tightly and latched?
- Has the cycle been set correctly to start the dishwasher?
- Is the water turned on?

If none of these work, call 1-800-4MY-HOME.



## Índice

Seguridad de la lavavajillas .....	17
Requisitos de instalación .....	18
Herramientas y piezas .....	18
Requisitos de ubicación .....	18
Requisitos de desagüe .....	20
Requisitos del suministro de agua .....	20
Requisitos eléctricos .....	20

Instrucciones de instalación .....	21
Prepare la abertura del gabinete usando las conexiones de servicio existentes .....	21
Prepare la abertura del gabinete donde no existen conexiones de servicio .....	22
Prepare la lavavajillas .....	24
Conexión eléctrica .....	27
Conexión al suministro de agua .....	28
Conexión al desagüe .....	28
Asegure la lavavajillas en la abertura del gabinete. . .	29

## Seguridad de la lavavajillas

### Su seguridad y la seguridad de los demás es muy importante.

Hemos incluido muchos mensajes importantes de seguridad en este manual y en su electrodoméstico. Lea y obedezca siempre todos los mensajes de seguridad.



Este es el símbolo de advertencia de seguridad.

Este símbolo le llama la atención sobre peligros potenciales que pueden ocasionar la muerte o una lesión a usted y a los demás.

Todos los mensajes de seguridad irán a continuación del símbolo de advertencia de seguridad y de la palabra "PELIGRO" o "ADVERTENCIA." Estas palabras significan:

**⚠ PELIGRO**

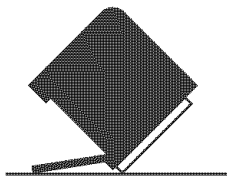
Si no sigue las instrucciones de inmediato, usted puede morir o sufrir una lesión grave.

**⚠ ADVERTENCIA**

Si no sigue las instrucciones, usted puede morir o sufrir una lesión grave.

Todos los mensajes de seguridad le dirán el peligro potencial, le dirán cómo reducir las posibilidades de sufrir una lesión y lo que puede suceder si no se siguen las instrucciones.

**⚠ ADVERTENCIA**



**Peligro de Vuelco**

**No use la lavavajillas antes de estar completamente instalada.**

**No se apoye en la puerta abierta.**

**No seguir estas instrucciones puede ocasionar heridas serias o cortaduras.**

### Usted necesita:

- Abrir lentamente la puerta de la lavavajillas mientras alguien sujeta la parte trasera de la lavavajillas. Quite todos los materiales de envío, la manguera de desagüe y el sifón de desagüe inferior. Cierre y asegure con el pestillo la puerta de la lavavajillas.
- Cumplir con todos los códigos y reglamentos vigentes.
- Instalar la lavavajillas según se especifica en estas instrucciones.
- La instalación debe ser hecha por un técnico de servicio calificado. La lavavajillas debe instalarse de acuerdo con todos los códigos y reglamentos eléctricos y de plomería nacionales y locales.

# Requisitos de instalación

## Herramientas y piezas

Reúna las herramientas y piezas necesarias antes de comenzar la instalación. Lea y siga las instrucciones provistas con cualquiera de las herramientas enlistadas aquí.

### Todas las instalaciones

#### Herramientas necesarias:

- pinzas
- destornillador Phillips
- llaves de tuercas o casquillos hexagonales de 5/16" y 1/4"
- cinta de medir o regla
- llave ajustable de 10" que se abra 1-1/8" (2,9 cm)
- destornillador de punta plana
- cuchillo de uso general
- 2 conectores de empalme retorcido para alambre que tengan el tamaño adecuado para conectar el cableado de su hogar al cableado calibre 16 de la lavavajillas

- nivel pequeño
- linterna
- recipiente poco profundo
- llave ajustable de 5/8"
- toalla de baño
- bloque de madera

#### Piezas necesarias:

- tubo acoplador acodado de 90° con roscas de tubería externas de 3/8" (N.P.T.) en un extremo. (El otro extremo debe caber en su tubería del agua).
- cinta Teflón® o compuesto para juntas de tubo
- cuñas (si se instala con un piso armado)

### Además, para nuevas instalaciones

#### Herramientas necesarias:

- taladro eléctrico con brocas de sierra perforadora de 1/2", 3/4" y 1-1/2"
- cortatubos pequeño
- desmoldador de alambre
- abrazadera tipo tornillo de 1-1/2"-2" si se ha de conectar en "T" al tubo de

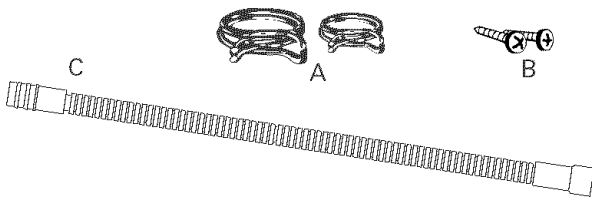
desperdicios.

#### Piezas necesarias:

- tubería de cobre trenzada (se recomienda de 3/8") o línea de relleno flexible de acero inoxidable
- conector de abrazadera o conector de conducto para cables que quepa en un orificio de 7/8" (2,2 cm) de diámetro

#### Piezas provistas

- A. 2 abrazaderas para la manguera de desagüe, 1 grande y 1 pequeña
- B. 2 tornillos Phillips No. 10 x 1/2"
- C. manguera de desagüe



Asegúrese de que todas las piezas estén incluidas. Si no lo están, llame al 1-800-4MY-HOME.

Vea la lista de piezas que viene por separado para ver qué accesorios están disponibles para su lavavajillas.

® Teflon es una marca registrada de E.I. Du Pont de Nemours and Company.

## Requisitos de ubicación

No instale tuberías de agua o desagüe o cables eléctricos donde puedan interferir o hacer contacto con el motor o las patas de la lavavajillas.

El lugar donde se instalará la lavavajillas debe permitir un espacio libre entre el motor y el piso. El motor no debe tocar el piso.

No instale la lavavajillas sobre piso alfombrado.

Proteja la lavavajillas y la tubería de agua conectada a la lavavajillas para que no se congelen. La garantía no cubre daños por congelación.

Puede obtener un juego de panel lateral de su vendedor para instalar su lavavajillas en el extremo del gabinete.

Su distribuidor tiene un accesorio que funciona como barrera contra la humedad (Pieza N° 4396277) para ser instalado debajo del mostrador, pero no es necesario. Este puede obtenerse también llamando al 1-800-4MY-HOME.

Revise el lugar donde instalará la lavavajillas. El lugar debe proveer:

- fácil acceso a instalaciones de agua, electricidad y desagüe.
- facilidad para cargar y descargar la lavavajillas. Los rincones deben tener un espacio libre mínimo de 2" (5,1 cm) entre el costado de la puerta la lavavajillas y la pared o el gabinete.
- una abertura cuadrada para que la lavavajillas funcione y se vea bien.
- un gabinete delantero que sea perpendicular al piso.
- piso nivelado. (Si el piso en la parte delantera de la abertura no está nivelado con el piso en la parte trasera de la abertura, puede usar cuñas para nivelar la lavavajillas.)

**NOTA:** las cuñas deben adherirse con firmeza al piso para evitar que se muevan cuando se esté usando la lavavajillas.

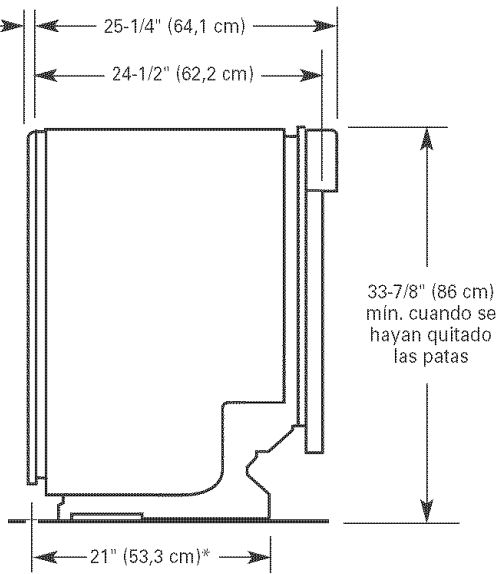
Si va a dejar la lavavajillas sin uso por cierto tiempo o en un lugar donde pudiera congelarse, haga que un miembro del personal de servicio autorizado la prepare para el invierno.

Asegúrese de que la tubería, los cables eléctricos y la manguera de desagüe estén en el área sombreada que se muestra en la sección "Dimensiones de corte".

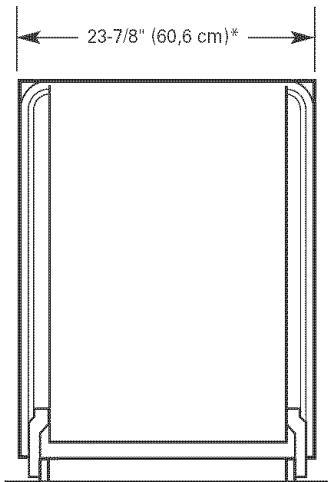
**Consejo útil:** Si el piso de la abertura donde colocará la lavavajillas no es parejo (por ejemplo: piso con losetas sólo hasta cierta parte de la abertura), deberá tener cuidado especial para tomar las medidas y nivelar la lavavajillas.

## Dimensiones del producto

El aislamiento de 3/4" (1,9 cm) puede comprimirse (no se usa en todos los modelos)

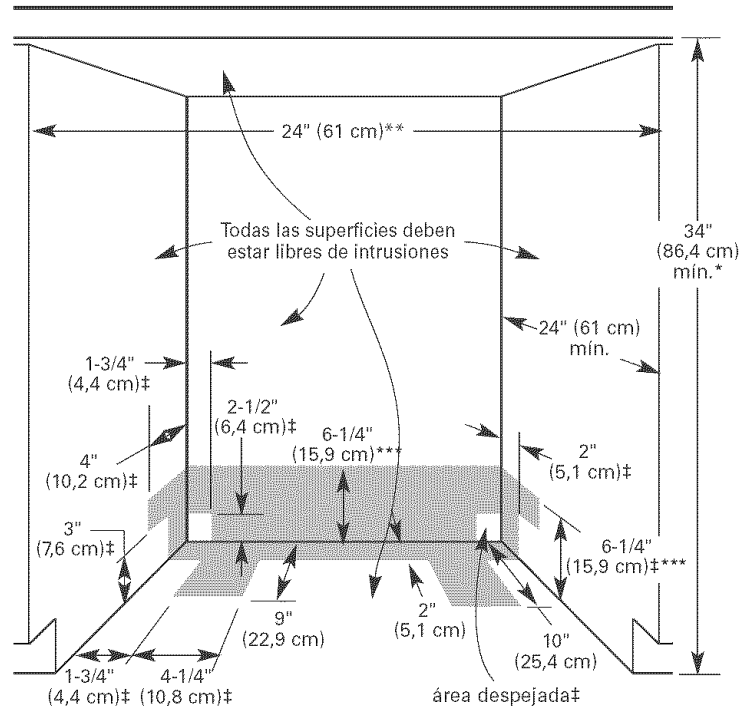


VISTA LATERAL



VISTA POSTERIOR

## Dimensiones de corte



Corte orificios en el área sombreada de las paredes del gabinete o del piso, como se especifica a continuación:

- tubería de agua – 1/2" (1,3 cm)
- tubería de desagüe – 1-1/2" (3,8 cm)
- cable directo – 3/4" (1,9 cm)
- cable de suministro de energía – 1-1/2" (3,8 cm)

\* Medidas tomadas desde el punto más bajo de la cara inferior del mostrador. Pueden reducirse a 33-7/8" (86 cm) quitando las ruedas de la lavavajillas.

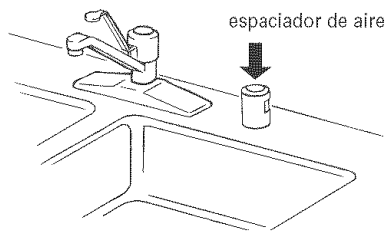
\*\* Mínimo, medidas tomadas desde el punto más angosto de la abertura.

\*\*\* Pueden incrementarse a 6-7/8" (17,5 cm) si la altura de la abertura es 34-1/2" (87,6 cm) en su punto más bajo.

‡ Ambos lados

## Requisitos de desagüe

- Utilice la nueva manguera de desagüe provista con su lavavajillas. Si esto no fuera adecuado, use una manguera de desagüe nueva de una longitud máxima de 12 pies (3,7 m) que cumpla con todos los estándares de prueba vigentes de la AHAM/IAPMO, sea resistente al calor y a los detergentes y quepa en el conector de desagüe del 1" (2,5 cm) de su lavavajillas.
- Conecte en "T" la manguera de desagüe al tubo de desperdicios o al recipiente de desechos sobre el sifón de desagüe en las instalaciones sanitarias de la casa y a un mínimo de 20" (50,8 cm) sobre el piso. Se recomienda que la manguera de desagüe se enrolle en un lazo y se sujete con seguridad a la parte inferior del mostrador o que se conecte a un espaciador de aire.



- Use un espaciador de aire si la manguera de desagüe está conectada a las instalaciones sanitarias de la casa a menos de 20" (50,8 cm) sobre el contrapiso o el piso.
- Utilice accesorios de tubería de desagüe con diámetro interno de 1/2" como mínimo.

## Requisitos del suministro de agua

- Tubería de agua caliente con una presión de agua de 20-120 lb/pulg<sup>2</sup> (138-862 kPa).
- Agua a 120°F (49°C) en la lavavajillas.
- Tubería de cobre con 3/8" de diámetro exterior con accesorio de compresión o línea de relleno flexible de acero inoxidable con cubierta trenzada (no se recomienda usar tubería plástica con un mínimo de 1/2").
- Un tubo acoplador acodado de 90° con roscas de tubería externas de 3/8" (N.P.T.) en un extremo.

No suelde dentro de una distancia de 6" (15,2 cm) de la válvula de entrada de agua.

## Requisitos eléctricos

Póngase en contacto con un electricista calificado.

Asegúrese de que la instalación eléctrica sea adecuada y cumpla con todos los códigos y reglamentos nacionales y locales.

Usted debe tener:

- un suministro eléctrico de 120 voltios, 60 Hz, CA solamente, 15 ó 20 amperios con fusible.
- alambre de cobre solamente.

Recomendamos:

- un fusible de retardo o un disyuntor.
- un circuito separado.

### Si está haciendo una conexión directa a la lavavajillas:

- Utilice cable de cobre flexible, armado o con vaina no metálica con alambre de puesta a tierra adecuado a los requisitos de cableado de su hogar y que cumpla con los códigos y reglamentos de su localidad.
- Utilice el protector de cables provisto con la caja de empalmes de su hogar o instale en la caja de empalmes un conector de abrazadera aprobado por el U.L./certificado por CSA. Si usa un conducto para cables, use un conector de conducto aprobado por el U.L./certificado por CSA.

### Si está conectando la lavavajillas con un cable de suministro de energía:

- Utilice el Juego de cable de suministro de energía (Pieza No. 4317824) que está marcado para ser usado con lavavajillas. El juego contiene:
  - Cable de suministro de energía de Volex, Inc. en la lista de UL, de 3 hilos de calibre 16 con un enchufe de 3 terminales con conexión a tierra.
  - Protector de cables Neer C-500 de 7/8".
  - 3 conectores de alambre.
  - Ojal para cable, pieza N° 302797.Siga las instrucciones del juego para instalar el cable de suministro de energía.
- El cable de suministro de energía debe enchufarse en un contacto de conexión a tierra de tres terminales, ubicado en el gabinete próximo a la abertura de la lavavajillas. El receptáculo debe estar conforme a todos los códigos y ordenanzas locales.



# Instrucciones de instalación

## ⚠ ADVERTENCIA



### Peligro de Choque Eléctrico

Desconecte el suministro de energía en la caja de fusibles o cortacircuitos antes de instalar la lavavajillas.

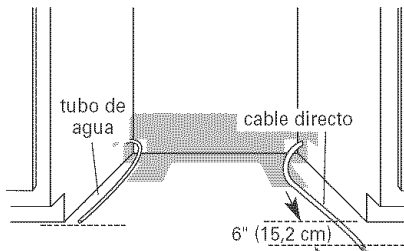
No seguir esta instrucción puede ocasionar la muerte o choque eléctrico.

1. Desconecte el suministro de energía.
2. Cierre el suministro de agua.

## Prepare la abertura del gabinete usando las conexiones de servicio existentes

- Siga los pasos en esta sección si está instalando la lavavajillas en una abertura del gabinete con las conexiones de servicio.
- Si está instalando la lavavajillas en un espacio del gabinete que no tiene conexiones, siga los pasos de la sección "Prepare la abertura del gabinete donde no existen conexiones de servicio".

1. Verifique que la tubería de agua llegue a la parte frontal izquierda de la abertura donde se hará la conexión de agua.



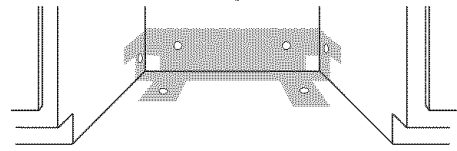
2. Verifique que el cable directo llegue a la parte frontal derecha de la abertura del gabinete donde se hará la conexión eléctrica.

Si la tubería de agua y el cable directo llegan lo suficientemente lejos en la abertura, proceda a la siguiente sección "Instalación de la manguera de desagüe". Si no llegan, siga los pasos de la sección "Prepare la abertura del gabinete donde no existen conexiones de servicio".

## Instalación de la manguera de desagüe

**IMPORTANTE:** siempre utilice una manguera de desagüe nueva, aunque instale una lavavajillas nueva que reemplace a otra.

1. Perfore un orificio de 1-1/2" (3,8 cm) en la pared o el piso del gabinete, en el lado de la abertura del gabinete que esté más cerca del fregadero.



2. Conecte en "T" la manguera de desagüe al tubo de desperdicios o al recipiente de desechos utilizando uno de los siguientes métodos.
  - Opción 1: con recipiente de desechos – con espaciador de aire.
  - Opción 2: sin recipiente de desechos – con espaciador de aire.
  - Opción 3: con recipiente de desechos – sin espaciador de aire\*.
  - Opción 4: sin recipiente de desechos – sin espaciador de aire\*.

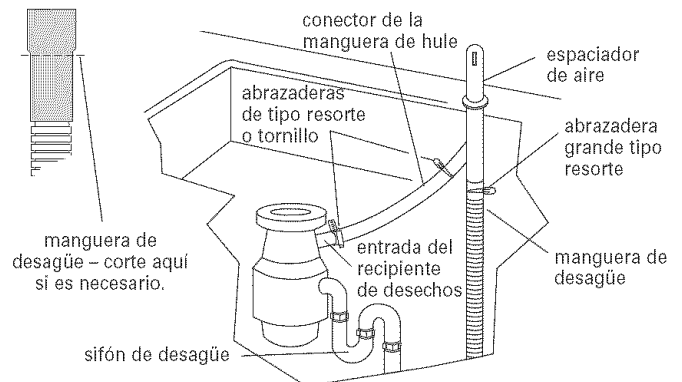
\* Se recomienda un espaciador de aire

**Consejo útil:** Para reducir la vibración de la manguera, mantenga ésta lejos del piso y del borde del orificio por el que aquella pasa dentro del gabinete.

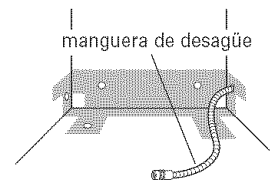
### Opción 1, Recipiente de desechos - con espaciador de aire:

1. Quite el conector de eyección del recipiente de desechos. Corte el extremo de la manguera de desagüe si es necesario (no corte la sección ranurada).
2. Sujete la manguera de desagüe al espaciador de aire con una abrazadera de tipo resorte. Si se cortó la manguera de desagüe, utilice una abrazadera\* de tipo tornillo de 1-1/2" o de 2" (3,8 a 5 cm).
3. Utilice un conector\* de manguera de hule con abrazaderas de resorte o de tornillo para conectar el espaciador de aire a la entrada del recipiente de desechos.

Esta conexión debe hacerse antes del sifón de desagüe y al menos a 20" (50,8 cm) por encima del piso en que se instalará la lavavajillas.



4. Inserte la manguera de desagüe en el orificio hecho en el gabinete y diríjala al centro frontal de la abertura donde se hará la conexión del desagüe.

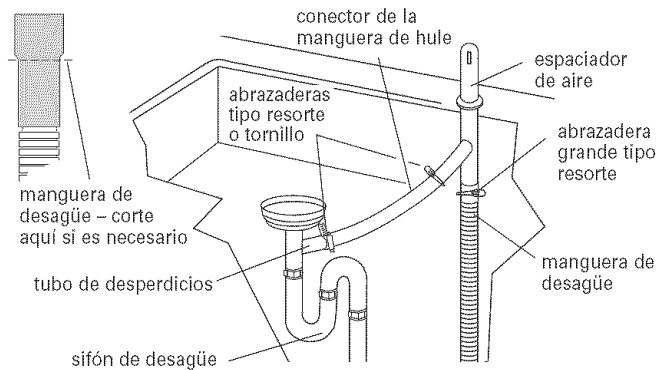


\* Estas partes se pueden encontrar en las tiendas locales de artículos de plomería.

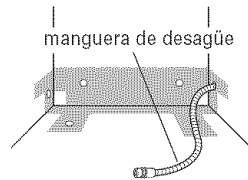
**Opción 2, Sin recipiente de desechos – con espaciador de aire:**

1. Corte el extremo de la manguera si es necesario (no corte la sección ranurada).
2. Sujete la manguera de desagüe al espaciador de aire con una abrazadera grande de tipo resorte. Si se cortó la manguera de desagüe, utilice una abrazadera\* de tipo tornillo de 1-1/2" o de 2" (3,8 a 5 cm).
3. Utilice un conector\* de hule con abrazaderas de resorte o de tornillo para conectar en "T" el espaciador de aire al tubo de desperdicios.

Esta conexión debe hacerse antes del sifón de desagüe y al menos a 20" (50,8 cm) por encima del piso en que se instalará la lavavajillas.



4. Inserte la manguera de desagüe en el orificio hecho en el gabinete y dirijala al centro frontal de la abertura donde se hará la conexión del desagüe.

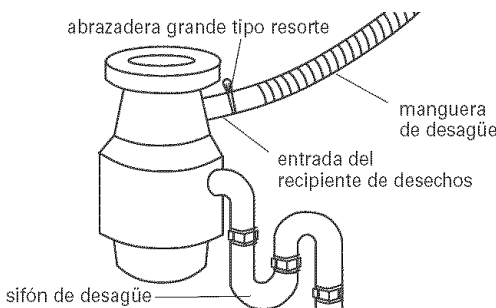


\* Estas partes se pueden encontrar en las tiendas locales de artículos de plomería.

**Opción 3, Con recipiente de desechos – sin espaciador de aire:**

1. Quite el conector de eyección del recipiente de desechos. No corte el extremo de la manguera de desagüe.
2. Sujete la manguera de desagüe al espaciador de aire con una abrazadera grande de tipo resorte.

Esta conexión debe hacerse antes del sifón de desagüe y al menos a 20" (50,8 cm) del piso en que se instalará la lavavajillas. Se recomienda que la manguera de desagüe se enrosque y se fije de manera segura a la superficie interior del mostrador.



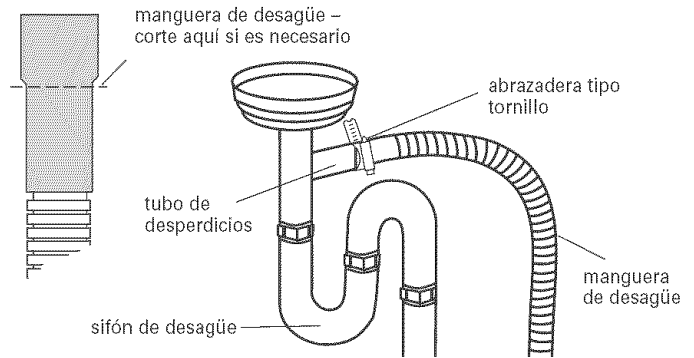
3. Inserte la manguera de desagüe en el orificio hecho en el gabinete y dirijala al centro frontal de la abertura donde se hará la conexión del desagüe.



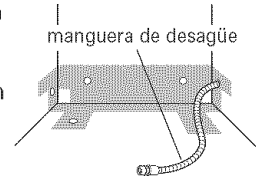
**Opción 4. - Sin recipiente de desechos – sin espaciador de aire:**

1. Corte la manguera de desagüe si es necesario (no corte la sección ranurada).
2. Sujete la manguera de desagüe al tubo de desperdicios con una abrazadera de tipo tornillo de 1-1/2" o de 2" (3,8 a 5 cm)\*.

Esta conexión debe hacerse antes del sifón de desagüe y al menos a 20" (50,8 cm) del piso en que se instalará la lavavajillas. Se recomienda que la manguera de desagüe se enrosque y se fije de manera segura a la superficie interior del mostrador.



3. Inserte la manguera de desagüe en el orificio hecho en el gabinete y dirijala al centro frontal de la abertura donde se hará la conexión del desagüe.



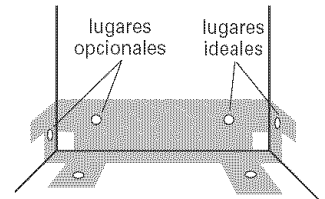
\* Estas partes se pueden encontrar en las tiendas locales de artículos de plomería.

**Prepare la abertura del gabinete donde no existen conexiones de servicio**

**Conexión eléctrica**

**Opción 1, Método de cable directo:**

**Consejo útil:** El cableado de la lavavajillas se hará más fácilmente si hace pasar el cable por la abertura del gabinete, del lado derecho.



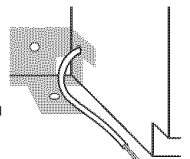
1. Perfore un orificio de 3/4" (1,9 cm) en la parte derecha del gabinete, posterior o en el piso. Los lugares ideales y opcionales aparecen en la ilustración.

2. Gabinete de madera: lije el orificio hasta que quede uniforme.

Gabinete metálico: cubra el orificio con ojal de collar, que no viene incluido.

3. Pase el cable por el compartimiento de la caja de conexión.

4. Instale un conector de abrazadera aprobado por U.L./certificado por CSA (protector de cables) para cable de tipo flexible. Si instala un conducto, utilice un conector a la caja de conexión.

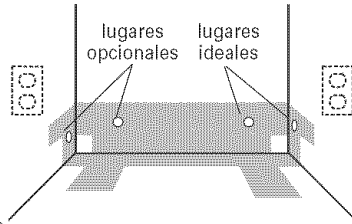


5. Pase el otro extremo del cable a través del orificio del gabinete. El cable debe abarcar hasta la parte frontal derecha de la abertura del gabinete.

## Opción 2, Método del cable de suministro de energía:

**NOTA:** Se necesita un contacto de pared con conexión a tierra de tres terminales en un gabinete que esté al lado de la abertura de la lavavajillas.

1. Perfore un orificio de 1-1/2" (3,8 cm) en la parte posterior o lateral del gabinete. Los lugares ideales y opcionales aparecen en la ilustración.

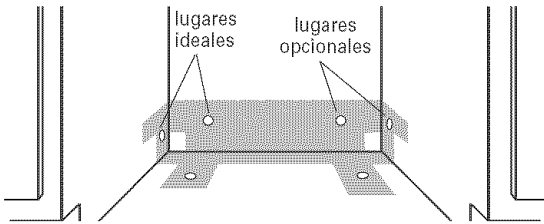


2. Gabinete de madera: lije el orificio hasta que quede uniforme.

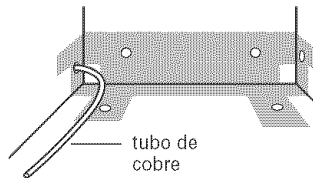
Gabinete metálico: cubra el orificio con un ojal de collar (Parte N° 302797) incluida en el juego de cables de suministro de energía.

## Instale la tubería de agua

**Consejo útil:** Si pasa la tubería de agua por el lado izquierdo de la abertura del gabinete, será más fácil instalar la tubería de agua.



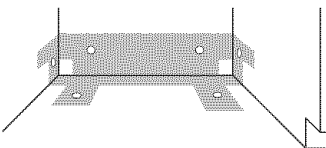
1. Perfore un orificio de 1/2" (1,3 cm) en la parte lateral, posterior o en el piso del gabinete. Los lugares ideales y opcionales aparecen en la ilustración.
2. Mida la longitud general del tubo de cobre que necesitará.
3. Sujete el tubo de cobre a la tubería de agua con la válvula de cierre manual.
4. Pase lentamente el tubo de cobre a través del orificio en el gabinete. El tubo de cobre se doblará y enroscará fácilmente, por lo cual hágalo suavemente. El tubo de cobre llegará lo suficientemente lejos dentro del gabinete para poder conectar éste a la entrada de la lavavajillas en la parte frontal izquierda de la lavavajillas.
5. Ponga en posición "ON" (Abierta) la válvula de cierre. Drene el agua en un recipiente llano para eliminar las partículas que pudieran obstaculizar la válvula de entrada.
6. Ponga en posición "OFF" (Cerrada) la válvula de cierre.



## Instale la manguera de desagüe

**IMPORTANTE:** siempre utilice una nueva manguera de desagüe.

1. Perfore un orificio de 1-1/2" (3,8 cm) en la pared o el piso del gabinete, en el lado de la abertura del gabinete que esté más cerca del fregadero.



2. Conecte en T la manguera de desagüe al tubo de desperdicios o al recipiente de desechos utilizando uno de los siguientes métodos.

- Opción 1, con recipiente de desechos – con espaciador de aire.
- Opción 2, sin recipiente de desechos – con espaciador de aire.
- Opción 3, con recipiente de desechos – sin espaciador de aire\*.
- Opción 4, sin recipiente de desechos – sin espaciador de aire\*

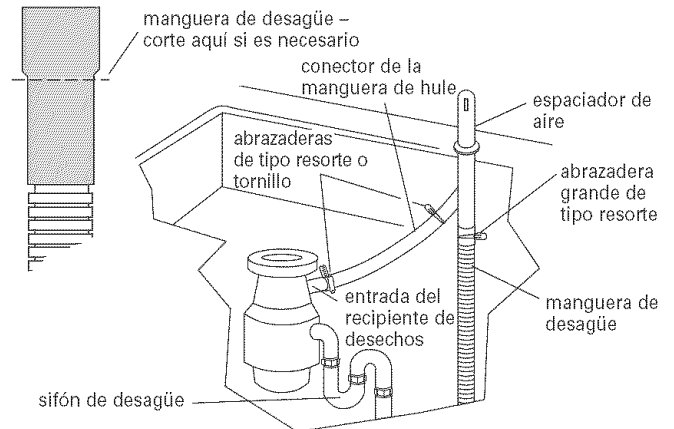
\* Se recomienda un espaciador de aire

**Consejo útil:** Para reducir la vibración de la manguera, manténgala lejos del piso y del borde del orificio por donde aquélla pasa en el gabinete.

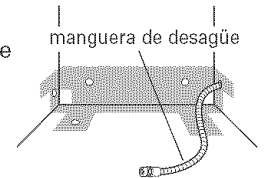
## Opción 1, Recipiente de desechos – con espaciador de aire:

1. Quite el conector de eyección del recipiente de desechos. Corte el extremo de la manguera de desagüe si es necesario (no corte la sección ranurada).
2. Sujete la manguera de desagüe al espaciador de aire con una abrazadera de tipo resorte. Si la manguera de desagüe está cortada, utilice una abrazadera\* de tipo tornillo de 1-1/2" a 2" (3,8 a 5 cm).
3. Utilice un conector\* de hule con abrazaderas de resorte o de tornillo para conectar el espaciador de aire a la entrada del recipiente de desechos.

Esta conexión debe hacerse antes del sifón de desagüe y al menos a 20" (50,8 cm) del piso en que se instalará la lavavajillas.



4. Inserte la manguera de desagüe en el orificio hecho en el gabinete y diríjala al centro frontal de la abertura donde se hará la conexión del desagüe.

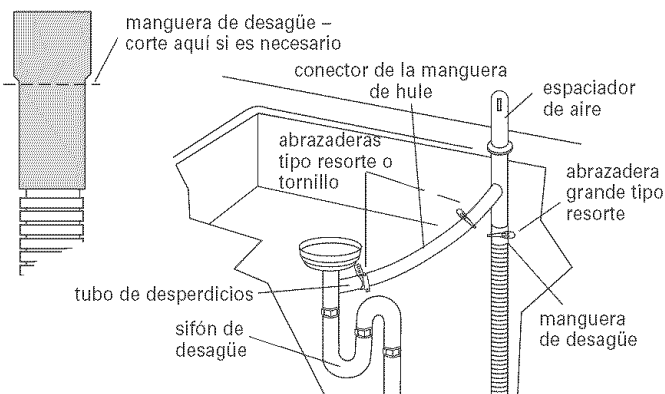


\* Estas partes se pueden encontrar en las tiendas locales de artículos de plomería.

### Opción 2, Sin recipiente de desechos – con espaciador de aire:

1. Corte el extremo de la manguera si es necesario (no corte la sección ranurada).
2. Sujete la manguera de desagüe al espaciador de aire con una abrazadera grande tipo resorte. Si la manguera de desagüe está cortada, utilice una abrazadera\* tipo tornillo de 1-1/2" a 2" (3,8 a 5 cm).
3. Utilice un conector\* de hule con abrazaderas de resorte o de tornillo para conectar en "T" el espaciador de aire al tubo de desperdicios.

Esta conexión debe hacerse antes del sifón de desagüe y al menos a 20" (50,8 cm) del piso en que se instalará la lavavajillas.



4. Inserte la manguera de desagüe en el orificio hecho en el gabinete y dirijala al centro frontal de la abertura donde se hará la conexión del desagüe.

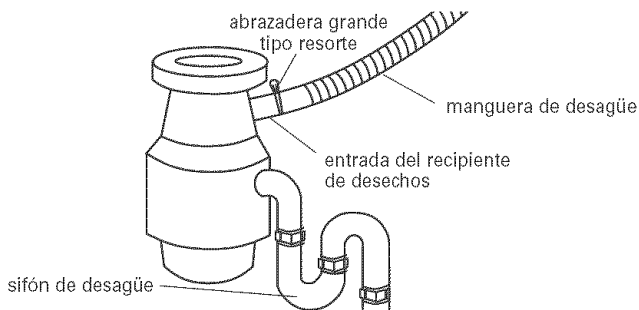


\* Estas partes se pueden encontrar en las tiendas locales de artículos de plomería.

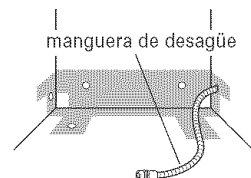
### Opción 3, Con recipiente de desechos – sin espaciador de aire:

1. Quite el conector de eyección del recipiente de desechos. No corte el extremo de la manguera de desagüe.
2. Sujete la manguera de desagüe a la entrada del recipiente de desechos con una abrazadera grande tipo resorte.

Esta conexión debe hacerse antes del sifón de desagüe y al menos a 20" (50,8 cm) del piso en que se instalará la lavavajillas. Se recomienda que la manguera de desagüe se enrolle y se fije de manera segura a la superficie interior del mostrador.



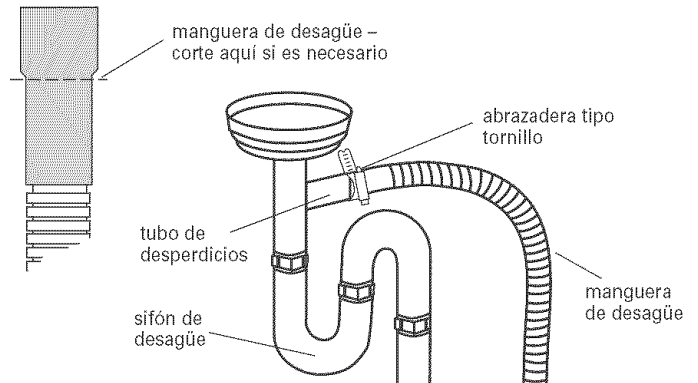
3. Inserte la manguera de desagüe en el orificio hecho en el gabinete y dirijala al centro frontal de la abertura donde se hará la conexión del desagüe.



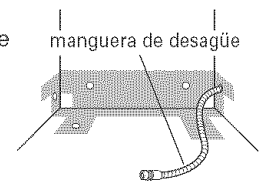
### Opción 4, Sin recipiente de desechos – sin espaciador de aire:

1. Corte la manguera de desagüe si es necesario (no corte la sección ranurada).
2. Sujete la manguera de desagüe al tubo de desperdicios con una abrazadera tipo tornillo de 1-1/2" a 2" (3,8 a 5 cm)\*.

Esta conexión debe hacerse antes del sifón de desagüe y al menos a 20" (50,8 cm) del piso en que se instalará la lavavajillas. Se recomienda que la manguera de desagüe se enrolle y se fije de manera segura a la superficie interior del mostrador.



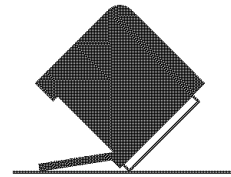
3. Inserte la manguera de desagüe en el orificio hecho en el gabinete y dirijala al centro frontal de la abertura donde se hará la conexión del desagüe.



\* Estas partes se pueden encontrar en las tiendas locales de artículos de plomería.

## Prepare la lavavajillas

### ⚠ ADVERTENCIA



#### Peligro de Vuelco

No use la lavavajillas antes de estar completamente instalada.

No se apoye en la puerta abierta.

No seguir estas instrucciones puede ocasionar heridas serias o cortaduras.

### ⚠ ADVERTENCIA

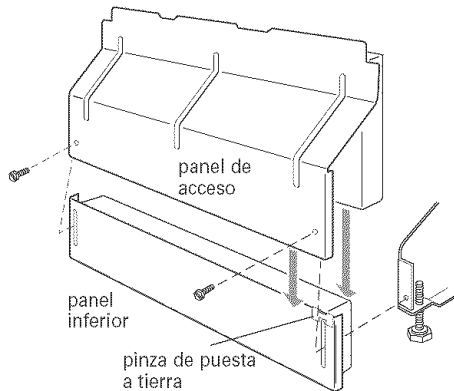
#### Peligro de Peso Excesivo

Use dos o más personas para mover e instalar la lavavajillas.

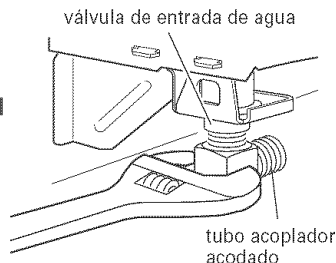
No seguir esta instrucción puede ocasionar una lesión en la espalda u otro tipo de lesiones.

1. Sujete los lados del marco de la puerta de la lavavajillas y ponga la lavavajillas sobre su parte posterior.

2. Quite los dos tornillos que sujetan el panel de acceso y el panel inferior a la lavavajillas, utilizando una llave de casquillo hexagonal de 1/4", una llave de tuercas o un destornillador Phillips.
3. Quite los paneles y colóquelos al lado en una superficie protectora.
4. Verifique que la pinza de puesta a tierra esté sujeta al panel inferior.



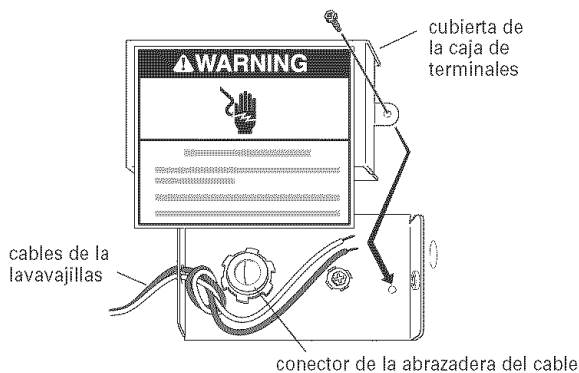
5. Aplique cinta Teflon® o compuesto para juntas de tubo al tubo acoplador acodado de 90° y conecte el empalme a la válvula de entrada de agua.



6. Apriete el tubo acoplador acodado hasta el fondo y cerciórese de que quede de frente a la parte posterior.

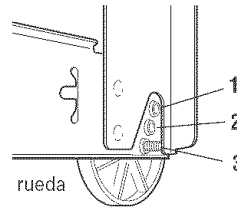
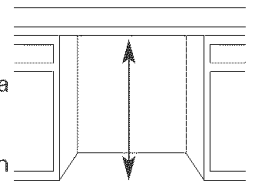
7. Quite la cubierta de la caja de terminales. Jale los cables del aparato a través del orificio que está en la caja de terminales. No deshaga el nudo en los cables.

- Si está cableando directamente: instale un conector de abrazadera aprobado por U.L./certificado por CSA en la caja de terminales. Si instala un conducto para cables, utilice un conector de conducto aprobado por U.L./certificado por CSA.
- Si está instalando un juego de cable de suministro de energía, utilícelo ahora, siguiendo las instrucciones del juego.



**Consejo útil:** Ponga un cartón bajo la lavavajillas hasta que ésta esté instalada en el espacio del gabinete. Este cartón ayudará a proteger el piso durante la instalación.

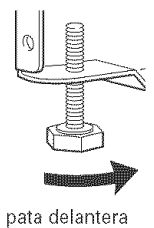
8. Mida la altura de la abertura del gabinete desde la parte inferior del mostrador al piso en que se instalará la lavavajillas (necesitará la medida del punto más bajo). Verifique la tabla para esa abertura del gabinete. Coloque las ruedas en la posición requerida.



Altura de corte mínima	Posición de las ruedas	Número de vueltas de la pata frontal
34" (86,4 cm)	1	10
34" - 1/4" (87 cm)	2	5
34" - 1/2" (87,6 cm)	3	0

9. Gire las dos patas niveladoras frontales a la misma altura.

Si la altura de corte mínima es menos de 34" (86,4 cm), las ruedas traseras pueden quitarse para lograr más espacio. Esto permitirá que la lavavajillas entre en un corte de 33-7/8" (86 cm) de altura, pero será más difícil mover la lavavajillas a su posición. Si se quitan las ruedas, proteja el piso al mover la lavavajillas.



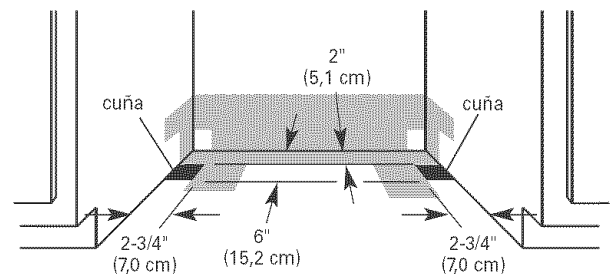
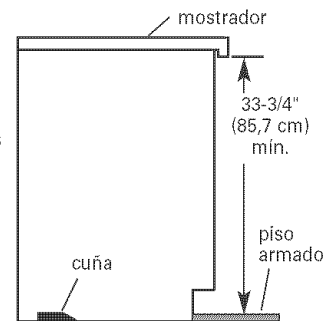
## Si tiene pisos armados

1. Mida la altura de la abertura desde el interior del mostrador hasta el piso armado. Si la altura es de cuando menos 33-3/4" (85,7 cm), la lavavajillas entrará en la abertura sin modificar el mostrador ni el piso.

2. Ponga las ruedas en la posición 1 y gire las patas niveladoras frontales al máximo.

3. Agregue cuñas en las zonas indicadas hasta que la lavavajillas alcance la altura correcta.

**NOTA:** Las cuñas deben estar fuertemente sujetas al piso para evitar movimientos cuando la lavavajillas esté funcionando.



## Instalación del juego de paneles de la puerta a la medida (en algunos modelos)

Si va a instalar un juego de paneles de la puerta a la medida, instálelo en este momento siguiendo las instrucciones de instalación incluidas con el juego.

## Mueva la lavavajillas hacia la abertura del gabinete

### ⚠ ADVERTENCIA

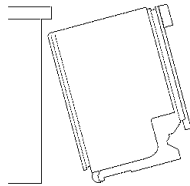
#### Peligro de Peso Excesivo

Use dos o más personas para mover e instalar la lavavajillas.

No seguir esta instrucción puede ocasionar una lesión en la espalda u otro tipo de lesiones.

1. Con la ayuda de dos o más personas, ponga la lavavajillas en posición vertical.
2. Sujete los lados de la lavavajillas en los bordes del panel de la puerta.
3. Inclíne la lavavajillas hacia atrás sobre las ruedas y muévala cerca de la abertura del gabinete. No empuje en la parte delantera del panel ni en la consola – se pueden abollar.
4. Si la lavavajillas tiene un cable de suministro de energía, inserte el cable de suministro de energía dentro del orificio que se hizo en el gabinete.  
Si está usando cable directo, verifique que esté en el lado frontal derecho de la abertura.
5. Verifique que la tubería de agua quede en el lado izquierdo de la abertura y que la manguera de desagüe quede cerca del centro del orificio en el gabinete.
6. Mueva la lavavajillas lentamente hasta el fondo de la abertura del gabinete. No doble ni enrosque el tubo de cobre, la manguera de desagüe, el cable de suministro de energía o el cable directo entre la lavavajillas y el gabinete.  
**Consejo útil:** Una vez que la lavavajillas esté en su posición correcta, quizá tenga que soportar el frente de la lavavajillas levantando, bajando o instalando cuñas en las patas frontales.
7. Quite el cartón de la base de la lavavajillas.

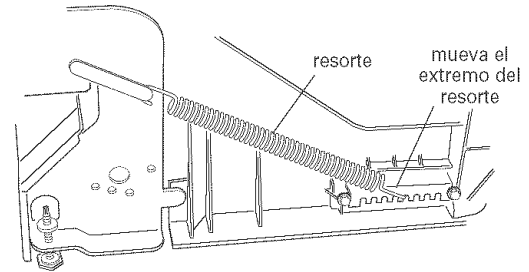
**NOTA:** Está bien que la lavavajillas encaje ajustada en la abertura del gabinete. No quite la colcha aislante, pues ésta reduce el nivel de ruido.



## Verifique la tensión del resorte de la puerta

Mientras otra persona sostiene la lavavajillas para evitar que se incline, abra y cierre la puerta algunas veces. Si la puerta se cierra o cae abierta por su propio peso, significa que la tensión de la puerta necesita ajuste.

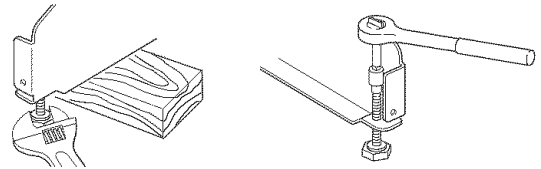
- Si la puerta se cierra demasiado rápido, disminuya la tensión del resorte moviendo el extremo del mismo hacia la parte frontal de la lavavajillas.
- Si la puerta se cae al abrirla por su propio peso, aumente la tensión del resorte moviendo el extremo del mismo hacia la parte posterior de la lavavajillas.
- Los resortes deberán estar en las mismas ranuras que están del lado izquierdo y derecho.



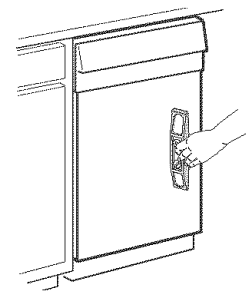
## Nivele la lavavajillas

1. Alinee el frente del panel de la puerta de la lavavajillas con las puertas del gabinete. Podría necesitar ajustar el alineamiento para emparejar con sus gabinetes.

**Consejo útil:** Eleve uno de los lados del marco para sostener la lavavajillas hasta que deje de tener contacto con el piso al ajustar las patas frontales. En algunas instalaciones, puede resultar más fácil ajustar la pata delantera con una llave de cabeza hexagonal de 3/16".



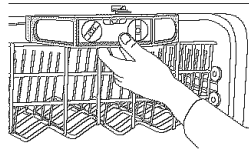
2. Verifique que las patas de nivelación estén firmemente colocadas en el piso.
3. Cierre y trabe la puerta y ponga el nivel contra el panel frontal. Verifique que la lavavajillas esté perfectamente nivelada respecto de la plomada. Si se necesita, ajuste las patas de nivelación o agregue cuñas bajo la rueda posterior hasta que la lavavajillas esté perfectamente nivelada respecto de la plomada.



4. Repita la misma operación en el otro lado de la lavavajillas.

**NOTA:** Las cuñas deben estar fuertemente sujetas al piso para evitar movimientos cuando la lavavajillas esté funcionando.

5. Ponga el nivel contra la abertura superior frontal de la tina. Verifique que la lavavajillas esté nivelada respecto de los lados. Si la lavavajillas no está nivelada, ajuste las patas elevándolas o bajándolas hasta que la lavavajillas esté nivelada.



## Conexión eléctrica

Verifique la sección "Requisitos eléctricos".

Necesitará:

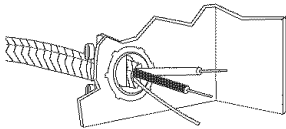
- tener el suministro de energía correcto y seguir el método recomendado de puesta a tierra.

Si Usted:

- está haciendo el cableado directo, utilice la Opción 1
- está utilizando un cable de suministro de energía, utilice la Opción 2

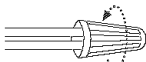
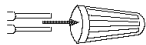
### Opción 1.- Método de cableado directo

1. Pase el cable directamente de manera que no toque el motor de la lavavajillas ni la parte inferior de la tina de la lavavajillas.
2. Jale el cable directo a través del orificio de la caja de terminales.



### Consejo útil:

- Seleccione los conectores giratorios del tamaño apropiado para conectar el cableado de su casa al cableado de la lavavajillas de calibre 16.
- Inserte los extremos del cable en el conector giratorio. No gire previamente el cable desnudo.
- Gire el conector.
- Jale suavemente los cables para cerciorarse de que ambos estén bien sujetos.



3. Conecte los cables como se indica utilizando los conectores giratorios que permiten conectar directamente al cable de calibre 16 de la lavavajillas.

Cable de suministro de energía:		Cable de la caja de terminales:
blanco	↔	blanco
negro	↔	negro
Cable de puesta a tierra	↔	Conector de puesta a tierra

## ! ADVERTENCIA



### Peligro de Choque Eléctrico

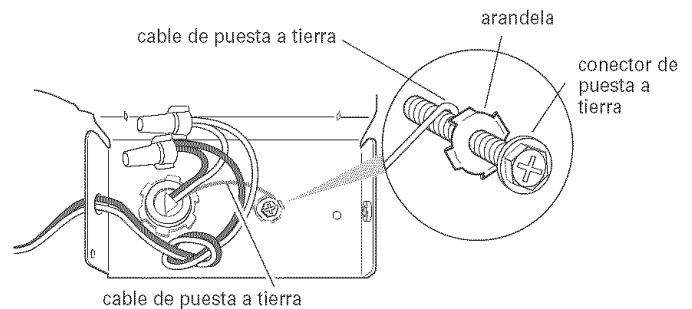
Conecte a tierra la lavavajillas.

Conecte el alambre de conexión a tierra al conector verde de conexión a tierra en la caja de conexiones.

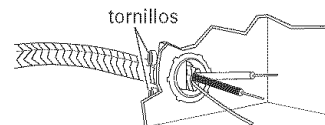
No use extensiones eléctricas.

No seguir estas instrucciones puede ocasionar la muerte, incendio o choque eléctrico.

4. Dé la cable desnudo una forma de gancho en U. Envuelva el gancho de cable en sentido de las manecillas del reloj alrededor del conector de puesta a tierra y bajo la arandela.
5. Apriete firmemente el conector de puesta a tierra. No deshaga el nudo de cables.

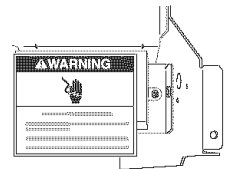


6. Apriete el conector de la abrazadera o los tornillos del conector del conducto.



7. Reinstale la tapa de la caja de terminales con los cables dentro de la caja de terminales.

La tapa debe quedar fuera de la caja, del lado izquierdo.



8. Asegúrese de que la tapa no presione ningún cable.

## ⚠ ADVERTENCIA



### Peligro de Choque Eléctrico

Conecte a un contacto de pared de conexión a tierra de 3 terminales.

No quite el terminal de conexión a tierra.

No use un adaptador.

No use un cable eléctrico de extensión.

No seguir estas instrucciones puede ocasionar la muerte, incendio o choque eléctrico.

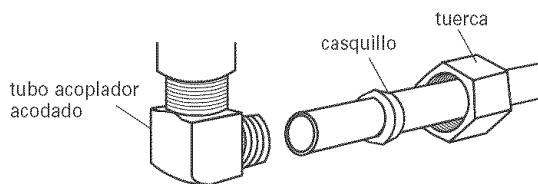
1. Conecte a un contacto de pared de conexión a tierra de 3 terminales.
2. Verifique que el cable de suministro de energía no toque el motor de la lavavajillas ni la parte inferior de la tina de la lavavajillas.

## Conexión al suministro de agua

### Consejo útil:

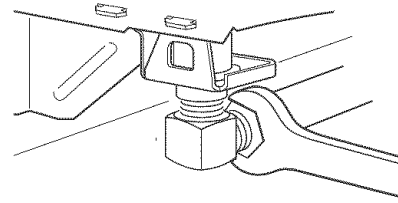
Empalmes de compresión:

- a. Deslice la tuerca en el tubo de cobre aproximadamente a 1" (2,5 cm).
- b. Deslice el casquillo en el tubo. No coloque el casquillo en el extremo del tubo.
- c. Ponga el tubo en el tubo acoplador acodado hasta donde aquél llegue.
- d. Deslice la tuerca y el casquillo hacia delante y comience a girar la tuerca en la rosca del tubo acoplador acodado. Manipule con suavidad al deslizar y colocar el tubo de cobre, pues éste se dobla y tuerce fácilmente.



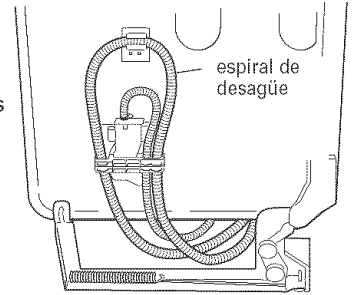
1. Para evitar vibración durante el funcionamiento, pase el tubo de suministro de agua de manera que no toque la base, el marco o el motor de la lavavajillas.
2. Al empujar el tubo de cobre hacia el empalme de compresión tanto como pueda, use una llave y apriete la tuerca del empalme de compresión en el tubo acoplador acodado en la válvula de entrada de agua. No use cinta Teflon® con los empalmes de compresión.

3. Ponga papel absorbente bajo el tubo acoplador acodado. Abra el suministro de agua y verifique que no haya fugas.



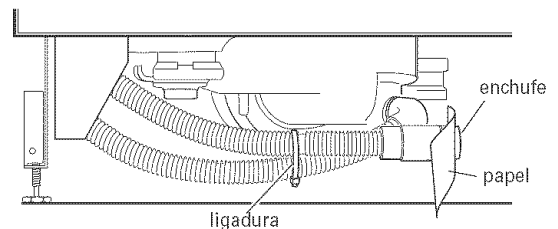
## Conexión al desagüe

1. Para ayudar a reducir la vibración, pase la manguera de desagüe de manera que evite el contacto con el motor, los resortes de la puerta, la tubería de agua, el gabinete, el piso o el borde del orificio por el que pasa en el gabinete.

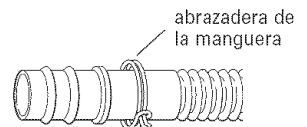


2. No quite la espiral de desagüe del lado de la lavavajillas.
3. Coloque la bandeja bajo el extremo de la manguera de desagüe. La bandeja acumulará el agua que pudiera salir de la manguera de desagüe.
4. Quite el enchufe y el papel del conector de desagüe.

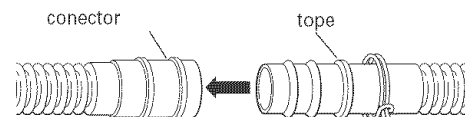
**NOTA:** Si corta la ligadura que sostiene el extremo de la manguera de desagüe, podrá maniobrar mejor la manguera de desagüe durante la instalación.



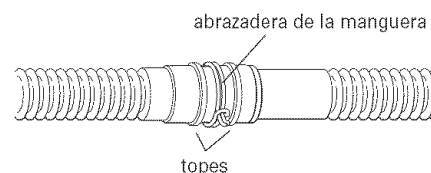
5. Coloque la abrazadera más pequeña de la manguera de desagüe en el extremo pequeño de la manguera de desagüe.



6. Empuje la manguera de desagüe contra el conector hasta el tope de la manguera de desagüe.



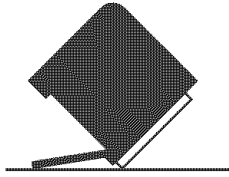
7. Utilice unas pinzas para abrir la abrazadera y deslice la abrazadera en el conector, entre los topes, sobre el conector, como se ilustra.





## Asegure la lavavajillas en la abertura del gabinete

### ⚠️ ADVERTENCIA



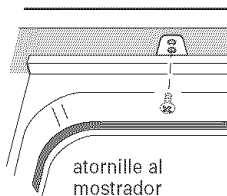
#### Peligro de Vuelco

No use la lavavajillas antes de estar completamente instalada.

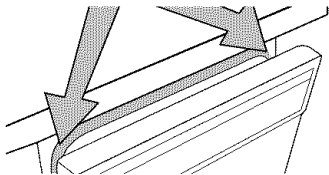
No se apoye en la puerta abierta.

No seguir estas instrucciones puede ocasionar heridas serias o cortaduras.

1. Si no lo ha hecho todavía, abra la puerta de la lavavajillas y coloque una toalla sobre el ensamble de la bomba y el brazo rociador de la puerta de la lavavajillas. Esto evitará que los tornillos caigan en la zona de la bomba al sujetar la lavavajillas contra el mostrador.
2. Verifique que la lavavajillas todavía esté nivelada y centrada de lado a lado en la abertura.
3. Asegure la lavavajillas contra el mostrador con dos tornillos de cabeza Phillips N° 10 X 1/2". La lavavajillas debe quedar sujeta para evitar que se incline cuando se abra la puerta. No deje caer tornillos en el fondo de la lavavajillas.



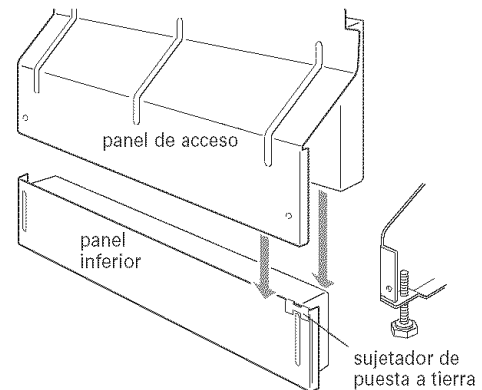
4. Abra la puerta unas tres pulgadas (7,6 cm) y verifique que el espacio entre la puerta interna y la tina sea igual en ambos lados. Si el espaciado no es igual, afloje los tornillos de la ménsula y cambie la posición de la tina. Apriete los tornillos de la ménsula.
5. Verifique que la parte superior de la puerta no tenga contacto con los tornillos, ménsulas o con el mostrador. De lo contrario, se debe bajar la lavavajillas y nivelarla nuevamente.



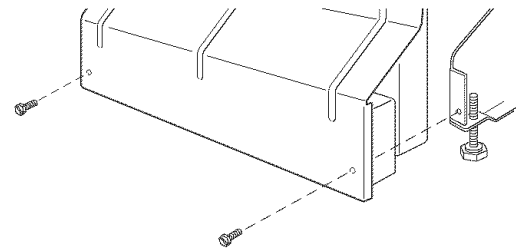
6. Quite la toalla de la lavavajillas.
7. Reinstale la canasta inferior.

## Complete la instalación

1. Verifique que el sujetador de puesta a tierra esté conectado al panel inferior.
2. Coloque el panel inferior detrás del panel de acceso. Algunos modelos tienen aislamiento en el panel de acceso que debe caer detrás del aislamiento en el panel inferior.



3. Mantenga los dos paneles juntos y colóquelos contra la pata de la lavavajillas.
4. Vuelva a insertar los tornillos a través de los orificios en el panel de acceso y las ranuras en el panel inferior. Inserte primero el tornillo del lado derecho.



5. Verifique si el borde inferior del panel inferior toca el piso.
6. Apriete los tornillos.

#### Método de conexión con cable directo:

### **⚠ ADVERTENCIA**



#### **Peligro de Choque Eléctrico**

Conecte a tierra la lavavajillas.

Conecte el alambre de conexión a tierra al conector verde de conexión a tierra en la caja de conexiones.

No use extensiones eléctricas.

No seguir estas instrucciones puede ocasionar la muerte, incendio o choque eléctrico.

#### Método de conexión con cable de suministro de energía:

### **⚠ ADVERTENCIA**



#### **Peligro de Choque Eléctrico**

Conecte a un contacto de pared de conexión a tierra de 3 terminales.

No quite el terminal de conexión a tierra.

No use un adaptador.

No use un cable eléctrico de extensión.

No seguir estas instrucciones puede ocasionar la muerte, incendio o choque eléctrico.

7. Reconecte el suministro de energía o enchufe la lavavajillas.

### **Verifique el funcionamiento**

1. Lea el Manual de Uso y Cuidado que vino con su lavavajillas.
2. Verifique que todas las partes hayan sido instaladas y que no se omitió ningún paso.
3. Verifique si tiene todas las herramientas que utilizó.
4. Ponga en marcha la lavavajillas y deje que complete el ciclo de lavado más breve. Después de que hayan transcurrido dos minutos, quite el seguro de la puerta, espere cinco segundos y abra la puerta.
5. Verifique si hay agua en la parte inferior de la tina de la lavavajillas. Verifique que la lavavajillas esté funcionando adecuadamente.
6. Si no es así, desconecte el suministro de energía o desenchufe la lavavajillas y vea la sección "Si la lavavajillas no funciona".

### **Si la lavavajillas no funciona**

Pruebe primero las soluciones sugeridas aquí para evitar el posible costo de una llamada de servicio.

- ¿Se ha disparado el disyuntor o quemado un fusible de la casa?
- ¿Está bien cerrada y asegurada la puerta?
- ¿Se ha fijado correctamente el ciclo para poner en marcha la lavavajillas?
- ¿Está abierto el grifo del agua?

Si nada de esto funciona, llame al 1-800-4MY-HOME

## NOTAS



## Table des matières

Sécurité du lave-vaisselle .....	33
Exigences d'installation .....	34
Outillage et pièces .....	34
Emplacement d'installation .....	34
Spécifications de la canalisation d'évacuation .....	36
Spécifications de l'alimentation en eau .....	36
Spécifications électriques .....	36

Instructions d'installation .....	37
Préparation des ouvertures dans les placards – utilisation des modes de raccordement existants pour canalisations et câblage .....	37
Préparation de l'emplacement d'installation entre les placards lorsque les canalisations et câbles n'ont pas été installés .....	38
Préparation du lave-vaisselle .....	40
Raccordement électrique .....	43
Raccordement à la canalisation d'eau .....	44
Raccordement à la canalisation d'évacuation .....	44
Immobilisation du lave-vaisselle dans l'espace d'installation .....	45

## Sécurité du lave-vaisselle

### Votre sécurité et celle des autres est très importante.

Nous donnons de nombreux messages de sécurité importants dans ce manuel et sur votre appareil ménager. Assurez-vous de toujours lire tous les messages de sécurité et de vous y conformer.



Voici le symbole d'alerte de sécurité.

Ce symbole d'alerte de sécurité vous signale les dangers potentiels de décès et de blessures graves à vous et à d'autres.

Tous les messages de sécurité suivront le symbole d'alerte de sécurité et le mot "DANGER" ou "AVERTISSEMENT". Ces mots signifient :

**⚠ DANGER**

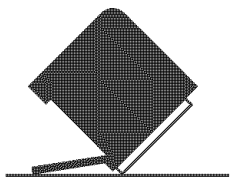
Risque possible de décès ou de blessure grave si vous ne suivez pas immédiatement les instructions.

**⚠ AVERTISSEMENT**

Risque possible de décès ou de blessure grave si vous ne suivez pas les instructions.

Tous les messages de sécurité vous diront quel est le danger potentiel et vous disent comment réduire le risque de blessure et ce qui peut se produire en cas de non-respect des instructions.

**⚠ AVERTISSEMENT**



#### Risque de basculement

Ne pas utiliser le lave-vaisselle jusqu'à ce qu'il soit complètement installé.

Ne pas appuyer sur la porte ouverte.

Le non-respect de ces instructions peut causer des blessures graves ou des coupures.

### Tenir compte de ceci :

- Ouvrir lentement la porte du lave-vaisselle tandis qu'une autre personne saisit l'arrière de l'appareil. Retirer les matériaux d'emballage, le tuyau de décharge et le panier inférieur. Fermer la porte du lave-vaisselle et verrouiller le loquet.
- Respecter les dispositions de tous les codes et règlements en vigueur.
- Installer le lave-vaisselle conformément aux prescriptions des présentes instructions.
- L'installation devrait être exécutée par un technicien qualifié. Veiller à respecter les dispositions de tous les codes et règlements locaux et nationaux régissant les installations de plomberie et d'électricité.

# Exigences d'installation

## Outillage et pièces

Rassembler tous les outils et pièces nécessaires avant de commencer l'installation. Lire et suivre les instructions fournies avec les outils indiqués ici.

### Pour toutes les configurations d'installation

#### Outillage nécessaire :

- pince
- tournevis Phillips
- tourne-écrou ou clé à douille – douilles hexagonales 5/16" ou 1/4"
- mètre-ruban ou règle
- clé à molette de 10" (ouverture jusqu'à 2,9 cm [1 1/8"])
- tournevis à lame plate
- couteau utilitaire
- 2 connecteurs de fils de taille appropriée pour le raccordement des conducteurs de l'appareil (calibre 16) au câblage de la maison
- petit niveau

- lampe torche
- plat peu profond
- clé plate 5/8"
- serviette de bain
- cale de bois

#### Pièces nécessaires :

- raccord 90° avec filetage externe de 3/8" NPT à une extrémité. (La configuration de l'autre extrémité doit être adaptée à celle de la canalisation d'arrivée d'eau.)
- ruban de Teflon® ou composé d'étanchéité pour tuyauteries
- cales (pour l'installation sur un plancher à rehaussement partiel)

### Outillage et pièces supplémentaires pour l'installation dans un local neuf

#### Outillage nécessaire :

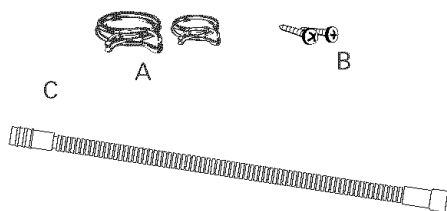
- perceuse électrique avec scies à trous de 1/2", 3/4" et 1 1/2"
- petit coupe-tube
- pince à dénuder
- bride de tuyau à vis 1 1/2 – 2" pour raccordement à la canalisation d'égout sur un raccord T

#### Pièces nécessaires :

- tube de cuivre (3/8" recommandé) ou conduit de raccordement flexible avec tresse d'acier inoxydable
- serre-câble ou connecteur de conduit utilisable sur un trou de diamètre 2,2 cm (7/8")

#### Pièces fournies

- A. 2 brides pour tuyau de décharge - 1 grosse, 1 petite
- B. 2 vis Phillips n° 10 x 1/2"
- C. Tuyau de décharge



Vérifier la présence de toutes ces pièces. Si l'une des pièces mentionnées n'est pas présente, téléphoner au 1-800-4MY-HOME.

Voir la liste séparée des pièces et accessoires disponibles pour le lave-vaisselle.

®Teflon est une marque déposée de Du Pont de Nemours and Company.

## Emplacement d'installation

Ne pas placer canalisation d'évacuation, canalisation d'eau ou câblage électrique à un endroit où cela susciterait interférence ou contact avec les pieds ou le moteur du lave-vaisselle.

À l'emplacement d'installation du lave-vaisselle, on doit pouvoir établir le dégagement approprié entre le moteur et le plancher. Le moteur ne doit pas toucher le plancher.

Ne pas installer le lave-vaisselle par-dessus un tapis.

Protéger du gel le lave-vaisselle et les canalisations d'eau qui l'alimentent; la garantie de l'appareil ne couvre pas les dommages imputables au gel.

Un ensemble "panneau latéral" est disponible chez les revendeurs pour l'installation du lave-vaisselle à l'extrémité d'une rangée de placards.

Un accessoire pare-vapeur (produit n° 4396277) est disponible chez les revendeurs pour l'installation de l'appareil sous le plan de travail. Cependant l'utilisation de cet accessoire n'est pas indispensable. On peut également commander ce produit par téléphone au 1-800-4MY-HOME.

Inspecter l'emplacement d'installation du lave-vaisselle; il doit comporter les caractéristiques suivantes :

- facilité d'accès aux canalisations d'eau et d'égout et à la source d'électricité.
- accès facile pour chargement et déchargement de la vaisselle. Dans le cas de l'installation dans un angle, on doit pouvoir établir un dégagement de 5,1 cm (2") ou plus entre le côté de la porte du lave-vaisselle et le mur ou le placard.
- ouverture carrée offrant l'esthétique appropriée et permettant un fonctionnement correct.
- façade des placards perpendiculaire au plancher.
- plancher horizontal et plat (s'il y a un écart de niveau entre l'avant et l'arrière sur le plancher de l'emplacement d'installation, il pourrait être nécessaire d'utiliser des cales pour établir l'aplomb de l'appareil).

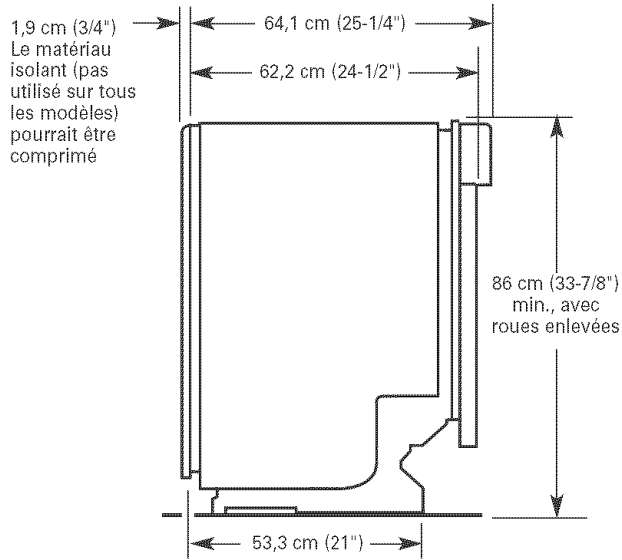
**NOTE :** Pour éviter tout déplacement des cales durant le fonctionnement de l'appareil, il est nécessaire de fixer les cales au plancher.

Si le lave-vaisselle ne doit pas être utilisé pendant une période prolongée ou s'il est laissé à un endroit qui pourrait être exposé au gel, veiller à faire exécuter les opérations de pré-hivernage par un technicien compétent.

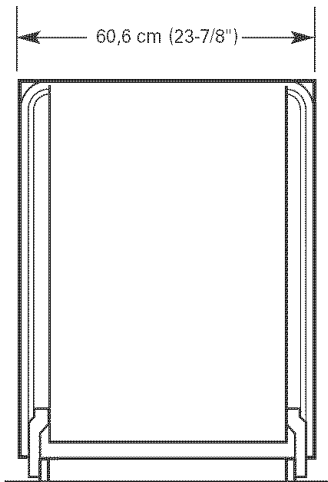
Veiller à ce que les canalisations d'eau et d'évacuation et les câbles électriques soient dans la zone marquée en gris dans la section "Dimensions de l'emplacement d'installation".

**Conseil utile :** Si le plancher de l'espace d'installation n'est pas parfaitement horizontal et plat (exemple : garnissage de carrelage sur une partie seulement), on devra accorder une attention particulière aux détails lors du relevé des dimensions, pour pouvoir établir l'aplomb correct du lave-vaisselle.

## Dimensions du produit

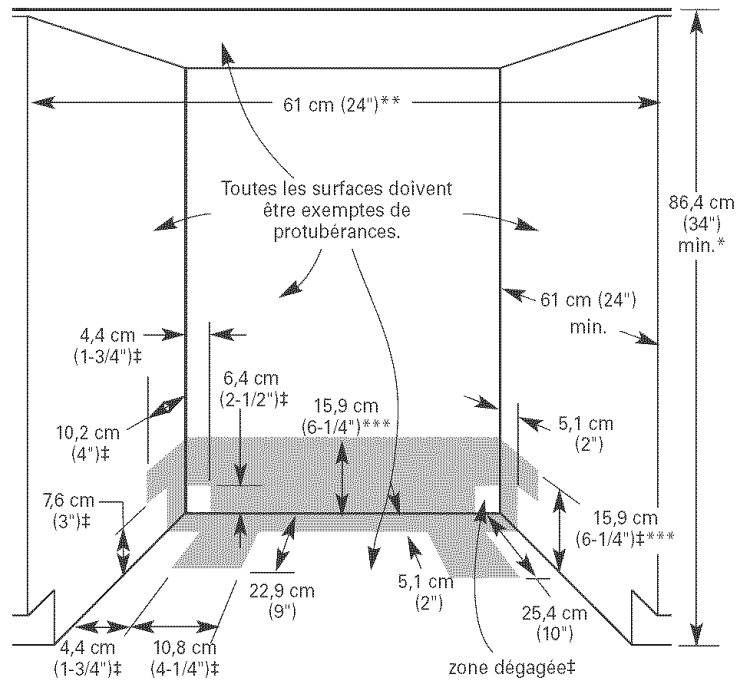


VUE LATÉRALE



VUE ARRIÈRE

## Dimensions de l'espace d'installation



Découper les trous dans la zone marquée en gris du plancher, du mur ou des parois des placards, selon les spécifications ci-dessous :

- Canalisation d'eau – 1,3 cm (1/2")
- Canalisation d'évacuation – 3,8 cm (1-1/2")
- Câble pour câblage direct – 1,9 cm (3/4")
- Cordon d'alimentation – 3,8 cm (1-1/2")

\* Mesure depuis le point le plus bas de la face inférieure du plan de travail. Cette dimension peut être réduite à 86 cm (33-7/8") si on retire les roues du lave-vaisselle.

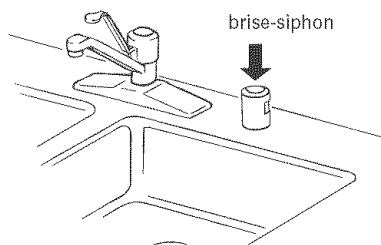
\*\* Dimension minimale mesurée au point le plus étroit de l'ouverture.

\*\*\* Cette dimension peut être portée à 17,5 cm (6-7/8") si la hauteur de l'ouverture est de 34-1/2" (87,6 cm) au point le plus bas.

‡ Des deux côtés

## Spécifications de la canalisation d'évacuation

- Utiliser le tuyau d'évacuation neuf fourni avec le lave-vaisselle. Si ce tuyau n'est pas suffisamment long, utiliser un tuyau d'évacuation neuf de longueur maximale 3,7 m (12 pi) qui satisfait les critères de la norme AHAM/IAPMO en vigueur, résistant à la chaleur et aux détergents, et qui pourra être connecté sur le raccord de sortie de 2,5 cm (1") du lave-vaisselle.
- Connecter le conduit d'évacuation à la canalisation d'égout par l'intermédiaire d'un raccord T ou du raccord d'un broyeur à déchets situé plus haut que le siphon du circuit de plomberie de la maison, et à au moins 50,8 cm (20") au-dessus du sol. On recommande de lover le tuyau d'évacuation et de le fixer solidement sur la face inférieure du plan de travail, ou de le raccorder à un dispositif brise-siphon.



- Utiliser un dispositif brise-siphon si le tuyau d'évacuation est connecté à la canalisation d'égout de la maison à moins de 50,8 cm (20") au-dessus du sous-plancher ou du plancher.
- Utiliser un raccord de diamètre intérieur de 1/2" ou plus.

## Spécifications de l'alimentation en eau

- Canalisation d'eau chaude, sous pression de 20 à 120 lb/po<sup>2</sup> (138–862 kPa).
- Température de 49°C (120°F) à l'entrée du lave-vaisselle.
- Canalisation de cuivre de diamètre externe 3/8" avec raccord à compression, ou conduit de raccordement flexible à tresse d'acier inoxydable (l'emploi d'un tube de plastique de 1/2" minimum est possible, mais déconseillé).
- raccord 90° avec filetage externe de 3/8" NPT à une extrémité.

Ne pas exécuter de raccordement par soudure à moins de 15,2 cm (6") de l'électrovanne d'admission d'eau.

## Spécifications électriques

Contactez un électricien qualifié.

Vérifier que l'installation électrique est adéquate et qu'elle satisfait les exigences de tous les codes et règlements locaux et nationaux en vigueur.

Caractéristiques exigées :

- 120 volts CA, 60 Hz; protection par fusible 15 ou 20 A.
- conducteurs de cuivre seulement

On recommande :

- un fusible temporisé ou disjoncteur.
- une alimentation par un circuit indépendant.

### Pour le raccordement direct du lave-vaisselle :

- Utiliser un câble flexible blindé ou à gaine non métallique, de conducteurs de cuivre, satisfaisant les exigences des codes et règlements locaux.
- Arrimer le câble avec le dispositif fourni sur la boîte de connexion de la maison, ou installer un serre-câble (homologation UL ou CSA) sur la boîte de connexion de la maison. Dans le cas de l'emploi d'un conduit, utiliser un connecteur de conduit (homologation UL ou CSA).

### Alimentation de l'appareil par un cordon d'alimentation :

- Utiliser le cordon d'alimentation (produit n° 4317824) identifié pour l'utilisation avec un lave-vaisselle. L'ensemble comprend :
    - cordon d'alimentation Volex Inc., avec 3 conducteurs de calibre 16 (homologation UL) et fiche de branchement à 3 broches pour liaison à la terre.
    - serre-câble 7/8" Neer C-500
    - 3 connecteurs de fils
    - bague de protection n° 302797
- Pour l'installation du cordon d'alimentation, procéder conformément aux instructions fournies avec l'ensemble.

- La fiche du cordon d'alimentation devra être branchée sur une prise de courant à 3 alvéoles de configuration correspondante, reliée à la terre, installée dans le placard à côté de l'emplacement d'installation du lave-vaisselle. La prise de courant doit satisfaire les exigences de tous les codes et règlements locaux.



# Instructions d'installation

## ⚠ AVERTISSEMENT



### Risque de choc électrique

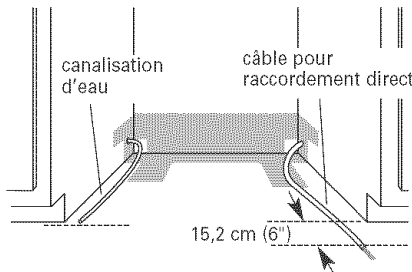
Interrompre l'alimentation électrique avant d'installer le lave-vaisselle (au niveau du tableau de distribution – fusible ou disjoncteur).

Le non-respect de cette instruction peut causer un décès ou un choc électrique.

1. Interrompre l'alimentation électrique.
2. Fermer l'arrivée d'eau

## Préparation des ouvertures dans les placards – utilisation des modes de raccordement existants pour canalisations et câblage

- Procéder conformément aux instructions de cette section pour l'installation de l'appareil à un emplacement déjà doté de moyens de raccordement.
- Pour l'installation de l'appareil à un emplacement où les canalisations et le câblage n'ont pas déjà été installés, procéder conformément aux instructions présentées à la section "Préparation de l'emplacement d'installation entre les placards lorsque les canalisations et câbles n'ont pas été installés".



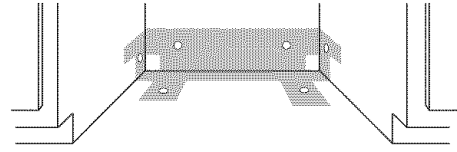
1. Vérifier que la canalisation d'eau atteint le côté avant gauche de l'espace d'installation (endroit où le raccordement à l'appareil sera effectué).
2. Vérifier que le câble d'alimentation atteint l'angle avant droit de l'espace d'installation (endroit où le raccordement à l'appareil sera effectué).

Si la canalisation d'eau et le câble de raccordement électrique sont suffisamment longs, passer à la section suivante "Installation du tuyau d'évacuation". Si la canalisation d'eau et le câble électrique ne sont pas suffisamment longs, procéder conformément aux instructions de la section "Préparation de l'emplacement d'installation entre les placards lorsque les canalisations et câbles n'ont pas été installés".

## Installation du tuyau d'évacuation

**IMPORTANT :** On doit toujours utiliser un tuyau d'évacuation neuf, même pour l'installation d'un lave-vaisselle de remplacement.

1. Percer un trou de diamètre 3,8 cm (1 1/2") dans la paroi du placard ou dans le plancher sur le côté de l'espace d'installation le plus proche de l'évier.



2. Employer l'une des méthodes suivantes pour raccorder le tuyau d'évacuation sur un raccord T ou sur un broyeur à déchets.

- Option 1 - broyeur à déchets – avec brise-siphon
- Option 2 - pas de broyeur à déchets – avec brise-siphon
- Option 3 - broyeur à déchets – sans brise-siphon\*
- Option 4 - pas de broyeur à déchets – sans brise-siphon\*

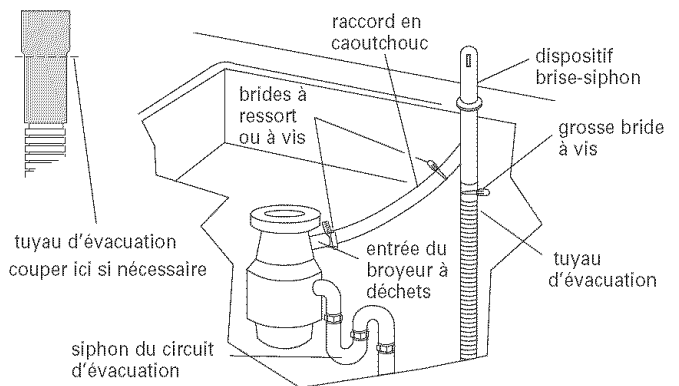
\* on recommande qu'un brise-siphon soit disponible

**Conseil utile :** Pour réduire les effets de vibration du tuyau durant le fonctionnement, maintenir une séparation entre le tuyau et le plancher et entre le tuyau et la circonférence du trou de passage à travers le placard.

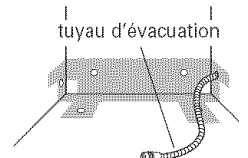
### Option 1 - broyeur à déchets – avec brise-siphon :

1. Ôter l'opercule arrachable sur le broyeur à déchets. Si nécessaire, couper l'extrémité du tuyau d'évacuation (ne pas couper dans la section ondulée).
2. Connecter le tuyau d'évacuation sur le dispositif brise-siphon avec la grosse bride à ressort. Si le tuyau d'évacuation a été coupé, utiliser une bride à vis\* de 3,8 à 5 cm (1 1/2 à 2").
3. Utiliser un raccord en caoutchouc\* avec une bride à ressort ou à vis\* pour raccorder le dispositif brise-siphon à l'entrée du broyeur à déchets.

Ce raccordement doit être réalisé en amont du siphon du circuit d'évacuation et à au moins 50,8 cm (20") au-dessus du plancher de l'espace d'installation du lave-vaisselle.



4. Insérer le tuyau d'évacuation à travers le trou découpé dans le placard et acheminer le tuyau jusqu'à l'emplacement de raccordement au lave-vaisselle.

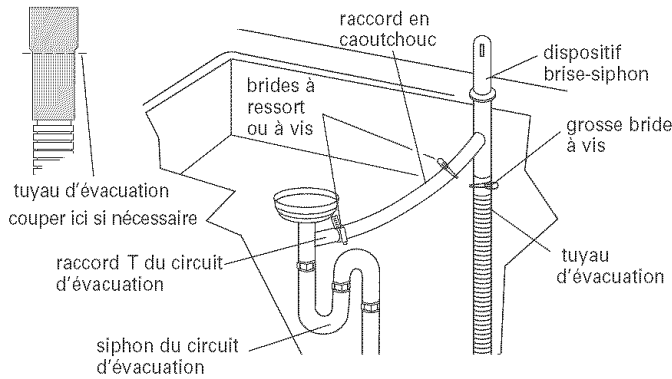


\*Pièces disponibles dans un magasin local de fournitures de plomberie

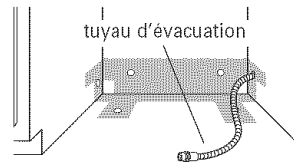
### Option 2 - pas de broyeur à déchets – avec brise-siphon :

1. Si nécessaire, couper l'extrémité du tuyau d'évacuation (ne pas couper dans la section ondulée).
2. Connecter le tuyau d'évacuation sur le dispositif brise-siphon avec la grosse bride à ressort. Si le tuyau d'évacuation a été coupé, utiliser une bride à vis\* de 3,8 à 5 cm (1 1/2 à 2").
3. Utiliser un raccord de caoutchouc\* avec bride à ressort ou à vis\* pour le raccordement entre le dispositif brise-siphon et le raccord T du circuit d'évacuation.

Ce raccordement doit être réalisé en amont du siphon du circuit d'évacuation et à au moins 50,8 cm (20") au-dessus du plancher de l'espace d'installation du lave-vaisselle.



4. Insérer le tuyau d'évacuation à travers le trou découpé dans le placard et acheminer le tuyau jusqu'à l'emplacement de raccordement au lave-vaisselle.

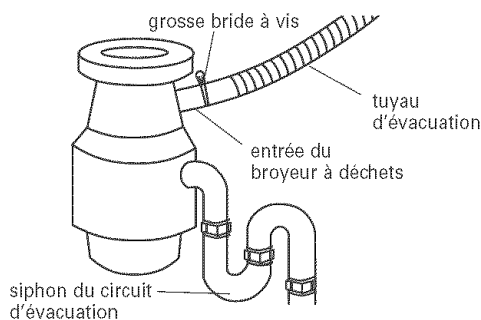


\* Pièces disponibles dans un magasin local de fournitures de plomberie

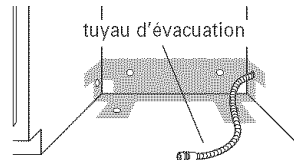
### Option 3 - broyeur à déchets – sans brise-siphon :

1. Ôter l'opercule arrachable du broyeur à déchets. Ne pas couper l'extrémité du tuyau d'évacuation.
2. Connecter le tuyau d'évacuation sur le broyeur à déchets avec la grosse bride à ressort.

Ce raccordement doit être réalisé en amont du siphon du circuit d'évacuation et à au moins 50,8 cm (20") au-dessus du plancher de l'espace d'installation du lave-vaisselle. On recommande de lover le tuyau d'évacuation et de le fixer solidement sur la face inférieure du plan de travail.



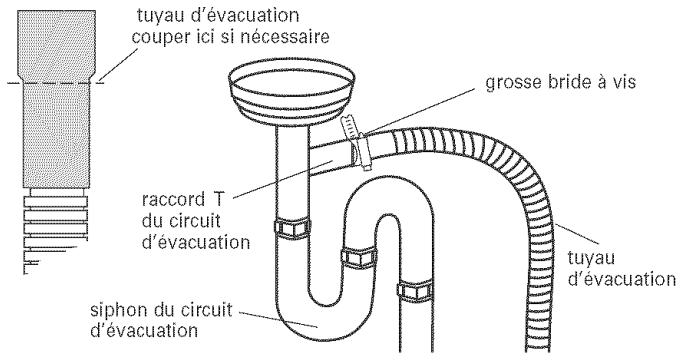
3. Insérer le tuyau d'évacuation à travers le trou découpé dans le placard et acheminer le tuyau jusqu'à l'emplacement de raccordement au lave-vaisselle.



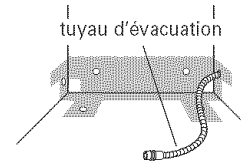
### Option 4 - pas de broyeur à déchets – sans brise-siphon :

1. Si nécessaire, couper l'extrémité du tuyau d'évacuation (ne pas couper dans la section ondulée).
2. Connecter le tuyau d'évacuation sur le raccord T du circuit d'évacuation avec une bride à vis\* de 3,8 à 5 cm (1 1/2 à 2")\*.

Ce raccordement doit être réalisé en amont du siphon du circuit d'évacuation et à au moins 50,8 cm (20") au-dessus du plancher de l'espace d'installation du lave-vaisselle. On recommande de lover le tuyau d'évacuation et de le fixer solidement sur la face inférieure du plan de travail.



3. Insérer le tuyau d'évacuation à travers le trou découpé dans le placard et acheminer le tuyau jusqu'à l'emplacement de raccordement au lave-vaisselle.



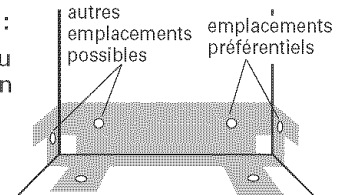
\* Pièces disponibles dans un magasin local de fournitures de plomberie

## Préparation de l'emplacement d'installation entre les placards lorsque les canalisations et câbles n'ont pas été installés

### Raccordement électrique

#### Option 1 - raccordement direct :

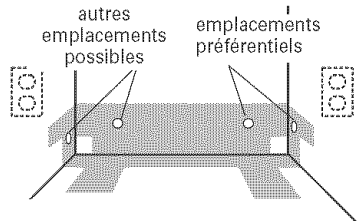
**Conseil utile :** Le raccordement au lave-vaisselle sera plus facile si on achemine le câble par le côté droit de l'espace d'installation.



1. Percer un trou de 1,9 cm (3/4") dans la paroi du placard, le mur arrière ou le plancher, sur le côté droit de l'espace d'installation. Les emplacements préférés ainsi que les autres emplacements possibles sont identifiés sur l'illustration.
2. Placard de bois : poncer la rive du trou percé pour produire une surface lisse.  
Placard métallique : garnir la circonférence du trou percé avec une bague de protection (non fournie).
3. Acheminer le câble jusqu'à la boîte de connexion (tableau de distribution de la maison).
4. Pour un câble flexible, installer un serre-câble (homologation UL ou CSA). Dans le cas d'un conduit, installer un connecteur de conduit sur la boîte de connexion (homologation UL ou CSA).
5. Faire passer l'autre extrémité du câble à travers le trou percé dans le placard. L'extrémité du câble doit pouvoir parvenir jusqu'à l'angle avant droit de l'espace d'installation.

## Option 2 - raccordement par cordon d'alimentation :

**NOTE :** La fiche du cordon d'alimentation devra être branchée sur une prise de courant à 3 alvéoles de configuration correspondante, reliée à la terre, installée dans le placard, à côté de l'emplacement d'installation du lave-vaisselle.



1. Percer un trou de 3,8 cm (1 1/2") dans la paroi du placard ou le mur arrière. Les emplacements préférés ainsi que les autres emplacements possibles sont identifiés sur l'illustration.

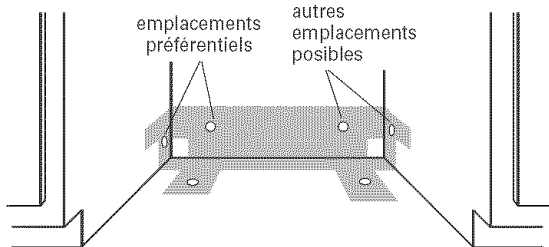
2. Placard de bois : poncer la rive du trou percé pour produire une surface lisse.

Placard métallique : garnir la circonférence du trou percé avec la bague de protection (pièce n° 302797) fournie avec l'ensemble du cordon d'alimentation.

## Installation de la canalisation d'eau

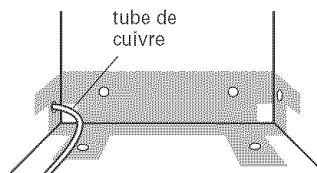
**Conseil utile :** Le raccordement au lave-vaisselle sera plus facile si on achemine la canalisation d'eau par le côté gauche de l'espace d'installation.

1. Percer un trou de diamètre 1,3 cm ou plus (1/2") dans la paroi du placard, le mur arrière ou le plancher. Les emplacements préférés ainsi que les autres emplacements possibles sont identifiés sur l'illustration.



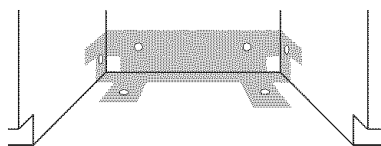
2. Mesurer la longueur totale de tube de cuivre nécessaire.

3. Connecter le tube de cuivre à la canalisation d'eau par l'intermédiaire d'un robinet d'arrêt manuel.



4. Enfiler doucement le tube de cuivre à travers le trou percé dans le placard. On doit travailler prudemment; le tube de cuivre est malléable et on peut facilement le déformer et même l'écraser. Vérifier que le tube de cuivre atteint le côté avant gauche de l'espace d'installation (endroit où le raccordement à l'appareil sera effectué).

5. Ouvrir le robinet d'arrêt pour éliminer les particules et débris qui pourraient encrasser l'électrovanne d'admission d'eau - récupérer l'eau qui s'écoule dans un plat peu profond.



6. Fermer le robinet d'arrêt.

## Installation du tuyau d'évacuation

**IMPORTANT :** Utiliser toujours un tuyau d'évacuation neuf.

1. Percer un trou de diamètre 3,8 cm (1 1/2") dans la paroi du placard ou dans le plancher sur le côté de l'espace d'installation le plus proche de l'évier.

2. Employer l'une des méthodes suivantes pour raccorder le tuyau d'évacuation sur un raccord T ou sur un broyeur à déchets.

- Option 1 - broyeur à déchets – avec brise-siphon
- Option 2 - pas de broyeur à déchets – avec brise-siphon
- Option 3 - broyeur à déchets – sans brise-siphon\*
- Option 4 - pas de broyeur à déchets – sans brise-siphon\*

\* on recommande qu'un brise-siphon soit disponible

**Conseil utile :** Pour réduire les effets de vibration du tuyau durant le fonctionnement, maintenir une séparation entre le tuyau et le plancher et entre le tuyau et la circonférence du trou de passage à travers le placard.

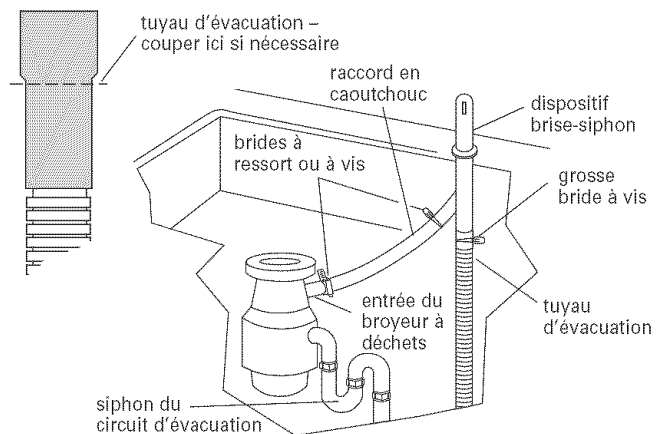
### Option 1 - broyeur à déchets – avec brise-siphon :

1. Ôter l'opercule arrachable sur le broyeur à déchets. Si nécessaire, couper l'extrémité du tuyau d'évacuation (ne pas couper dans la section ondulée).

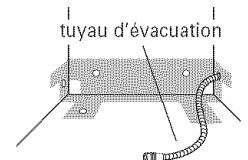
2. Connecter le tuyau d'évacuation sur le dispositif brise-siphon avec la grosse bride à ressort. Si le tuyau d'évacuation a été coupé, utiliser une bride à vis\* de 3,8 à 5 cm (1 1/2 à 2").

3. Utiliser un raccord en caoutchouc\* avec une bride à ressort ou à vis\* pour raccorder le dispositif brise-siphon à l'entrée du broyeur à déchets.

Ce raccordement doit être réalisé en amont du siphon du circuit d'évacuation et à au moins 50,8 cm (20") au-dessus du plancher de l'espace d'installation du lave-vaisselle.



4. Insérer le tuyau d'évacuation à travers le trou découpé dans le placard et acheminer le tuyau jusqu'à l'emplacement de raccordement au lave-vaisselle.



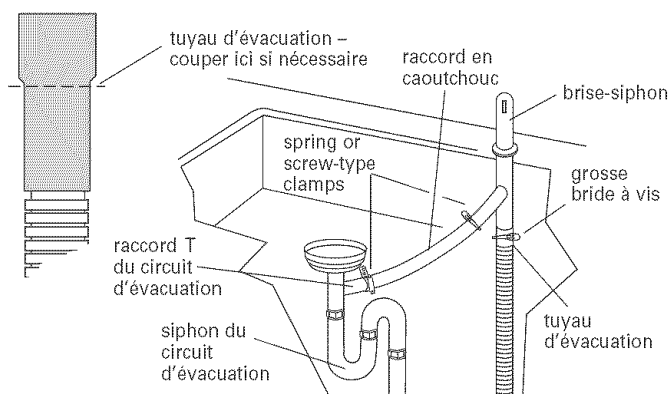
\* Pièces disponibles dans un magasin local de fournitures de plomberie

### Option 2 - pas de broyeur à déchets – avec brise-siphon :

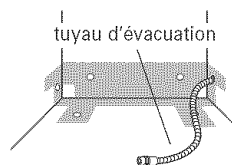
1. Si nécessaire, couper l'extrémité du tuyau d'évacuation (ne pas couper dans la section ondulée).
2. Connecter le tuyau d'évacuation sur le dispositif brise-siphon avec la grosse bride à ressort. Si le tuyau d'évacuation a été coupé, utiliser une bride à vis\* de 3,8 à 5 cm (1 1/2 à 2").

3. Utiliser un raccord de caoutchouc\* avec bride à ressort ou à vis\* pour le raccordement entre le dispositif brise-siphon et le raccord T du circuit d'évacuation.

Ce raccordement doit être réalisé en amont du siphon du circuit d'évacuation et à au moins 50,8 cm (20") au-dessus du plancher de l'espace d'installation du lave-vaisselle.



4. Insérer le tuyau d'évacuation à travers le trou découpé dans le placard et acheminer le tuyau jusqu'à l'emplacement de raccordement au lave-vaisselle.

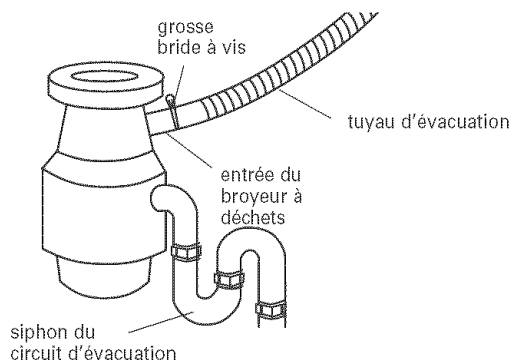


\* Pièces disponibles dans un magasin local de fournitures de plomberie

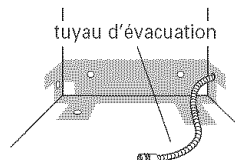
### Option 3 - broyeur à déchets – sans brise-siphon :

1. Ôter l'opercule arrachable du broyeur à déchets. Ne pas couper l'extrémité du tuyau d'évacuation.
2. Connecter le tuyau d'évacuation sur le broyeur à déchets avec la grosse bride à ressort.

Ce raccordement doit être réalisé en amont du siphon du circuit d'évacuation et à au moins 50,8 cm (20") au-dessus du plancher de l'espace d'installation du lave-vaisselle. On recommande de lover le tuyau d'évacuation et de le fixer solidement sur la face inférieure du plan de travail.



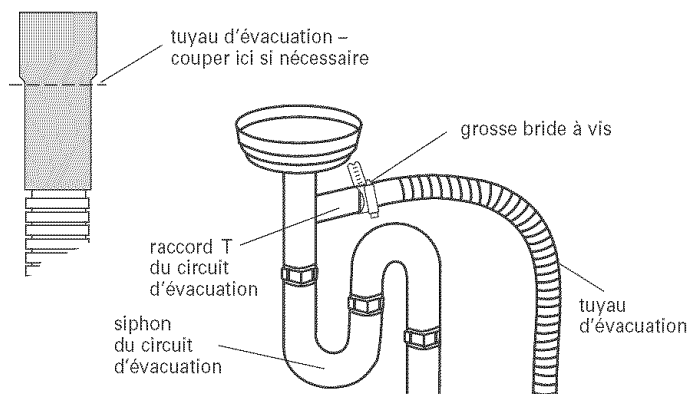
3. Insérer le tuyau d'évacuation à travers le trou découpé dans le placard et acheminer le tuyau jusqu'à l'emplacement de raccordement au lave-vaisselle.



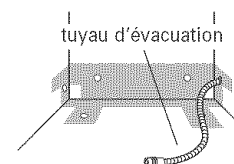
### Option 4 - pas de broyeur à déchets – sans brise-siphon :

1. Si nécessaire, couper l'extrémité du tuyau d'évacuation (ne pas couper dans la section ondulée).
2. Connecter le tuyau d'évacuation sur le raccord T du circuit d'évacuation avec une bride à vis\* de 3,8 à 5 cm (1 1/2 à 2")\*.

Ce raccordement doit être réalisé en amont du siphon du circuit d'évacuation et à au moins 50,8 cm (20") au-dessus du plancher de l'espace d'installation du lave-vaisselle. On recommande de lover le tuyau d'évacuation et de le fixer solidement sur la face inférieure du plan de travail.



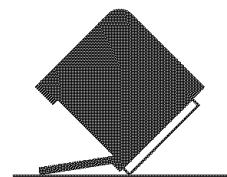
3. Insérer le tuyau d'évacuation à travers le trou découpé dans le placard et acheminer le tuyau jusqu'à l'emplacement de raccordement au lave-vaisselle.



\* Pièces disponibles dans un magasin local de fournitures de plomberie

## Préparation du lave-vaisselle

### ⚠ AVERTISSEMENT



#### Risque de basculement

Ne pas utiliser le lave-vaisselle jusqu'à ce qu'il soit complètement installé.

Ne pas appuyer sur la porte ouverte.

Le non-respect de ces instructions peut causer des blessures graves ou des coupures.

### ⚠ AVERTISSEMENT

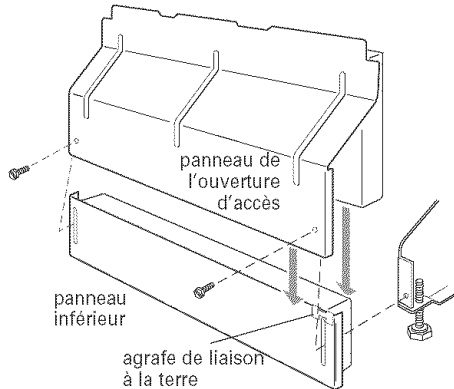
#### Risque du poids excessif

Utiliser deux ou plus de personnes pour déplacer et installer le lave-vaisselle.

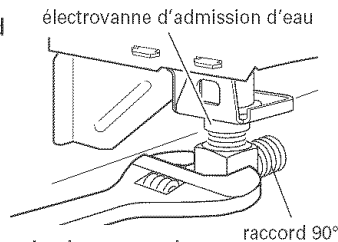
Le non-respect de cette instruction peut causer une blessure au dos ou d'autre blessure.

1. Saisir les côtés du cadre de porte du lave-vaisselle et placer le lave-vaisselle en appui sur la face arrière.

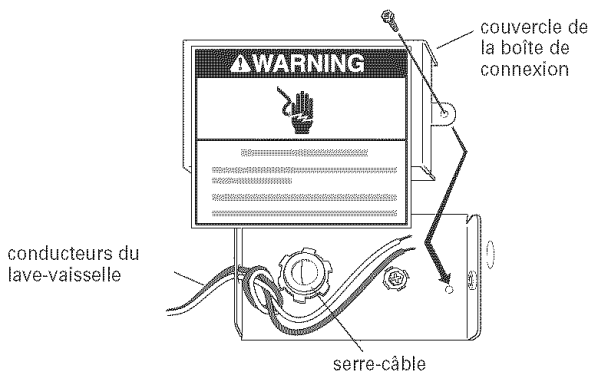
2. Ôter les deux vis fixant le panneau de l'ouverture d'accès et le panneau inférieur sur le lave-vaisselle – utiliser une clé à douille de 1/4", un tourne-écrou ou un tournevis Phillips.
3. Placer les panneaux déposés à part, sur une surface protégée.
4. Vérifier que l'agrafe de liaison à la terre est fixée sur le panneau inférieur.



5. Garnir le filetage du raccord 90° de ruban de Téflon® ou de composé d'étanchéité pour tuyauteries; connecter le raccord sur l'électrovanne d'admission d'eau.

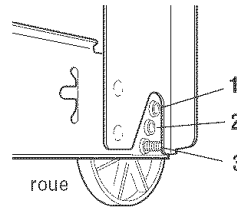
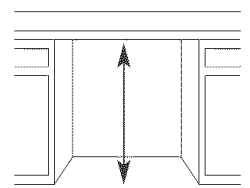


6. Serrer le raccord sans forcer; veiller à orienter la sortie du raccord vers l'arrière.
7. Ôter le couvercle de la boîte de connexion. Faire sortir les conducteurs de l'appareil à travers le trou de la boîte de connexion. Ne pas défaire le nœud que forment les conducteurs.
  - Dans le cas du câblage direct, installer un serre-câble (homologation UL ou CSA) sur la boîte de connexion. Dans le cas de l'utilisation d'un conduit, installer un connecteur de conduit (homologation UL ou CSA).
  - Si l'appareil doit être alimenté par un cordon d'alimentation, installer maintenant le cordon d'alimentation conformément aux instructions fournies avec l'ensemble.



**Conseil utile :** Conserver une feuille de carton sous le lave-vaisselle jusqu'à son installation dans l'espace d'installation entre les placards. La feuille de carton protégera le plancher durant l'installation.

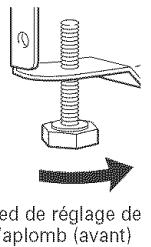
8. Mesurer la hauteur libre de l'espace d'installation, sous le plan de travail (au niveau du point le plus bas). Consulter le tableau ci-dessous. Placer les roues de l'appareil à la position appropriée, selon la hauteur mesurée.



Hauteur libre minimale	Position des roues	Nombre de tours de vissage pour les pieds avant
86.4 cm (34")	1	10
87 cm (34-1/4")	2	5
87.6 cm (34-1/2")	3	0

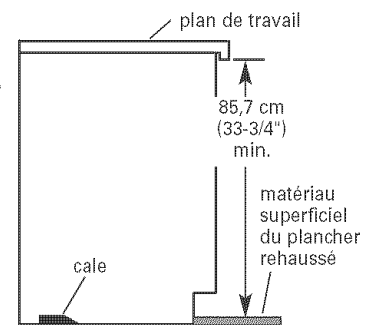
9. Ajuster les pieds de réglage de l'aplomb à l'avant (même hauteur).

Si la hauteur libre minimale est inférieure à 86,4 cm (34"), on peut enlever les roues arrière pour pouvoir faire passer le lave-vaisselle sous le plan de travail. On pourra ainsi installer le lave-vaisselle sous le plan de travail si la hauteur libre est de 86 cm (33 7/8"); il sera cependant plus difficile de placer le lave-vaisselle à sa position de service finale. Si on enlève les roues, on devra veiller à protéger le plancher lors des déplacements du lave-vaisselle.

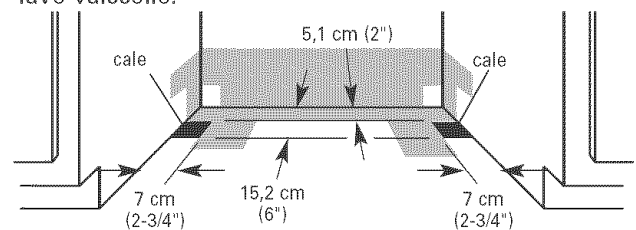


## Plancher rehaussé

1. Mesurer la hauteur libre sous le plan de travail au-dessus de l'espace d'installation (entre la face inférieure du plan de travail, et le matériau superficiel du plancher). Si la hauteur libre est de 84,5 cm (33-3/4") ou plus, on pourra insérer le lave-vaisselle dans l'espace d'installation sans modification du plan de travail ou du plancher.



2. Placer les roues à la position 1, et visser (enfoncer) complètement les pieds de réglage de l'aplomb.
  3. Ajouter des cales selon le besoin dans la zone indiquée pour placer le lave-vaisselle à la hauteur appropriée.
- NOTE :** Les cales devront être fixées au plancher pour qu'elles ne puissent bouger durant le fonctionnement du lave-vaisselle.



## Installation du panneau de porte personnalisé (sur certains modèles)

Éventuellement, installer maintenant un panneau de porte personnalisé conformément aux instructions fournies avec le panneau de porte.

## Insertion du lave-vaisselle dans l'espace d'installation

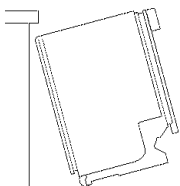
### **AVERTISSEMENT**

#### Risque du poids excessif

Utiliser deux ou plus de personnes pour déplacer et installer le lave-vaisselle.

Le non-respect de cette instruction peut causer une blessure au dos ou d'autre blessure.

1. À deux personnes ou plus, placer le lave-vaisselle en position verticale.
2. Saisir les côtés du lave-vaisselle, par les bords du panneau de porte.
3. Incliner le lave-vaisselle vers l'arrière sur ses roues, et approcher l'appareil de l'ouverture d'insertion. Ne pas pousser sur l'avant du panneau ou sur la console – ceci pourrait faire subir des dommages à l'appareil.
4. Si le lave-vaisselle est alimenté par un cordon d'alimentation, insérer le cordon d'alimentation dans le trou découpé dans le placard.



Dans le cas du câblage direct, vérifier que le câble d'alimentation est sur le côté avant droit de l'espace d'installation.

5. Vérifier que la canalisation d'eau est sur le côté gauche de l'espace d'installation, et que le tuyau d'évacuation est près du centre du trou percé dans le placard.
6. Insérer lentement et complètement le lave-vaisselle dans l'espace d'installation entre les placards. Veiller à ne pas coincer le tube de cuivre, le tuyau d'évacuation, le cordon d'alimentation ou le câble de raccordement direct entre le lave-vaisselle et le placard. Veiller à ne pas déformer le tube de cuivre ou le tuyau d'évacuation.

**Conseil utile :** Lorsque le lave-vaisselle est à sa position de service, il peut être nécessaire de soutenir l'avant – soulever/abaisser ou caler les pieds avant.

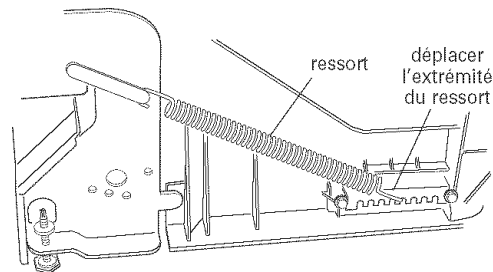
7. Enlever la feuille de carton placée sous le lave-vaisselle pour la protection du plancher.

**NOTE :** Il n'y a pas d'objection à ce qu'il n'y ait que peu d'espace entre le lave-vaisselle et les placards. Ne pas enlever le garnissage d'insonorisation/isolation.

## Contrôle de la tension des ressorts de la porte

Alors qu'une autre personne retient l'appareil pour l'empêcher de basculer, ouvrir et refermer la porte plusieurs fois. Si la porte peut se fermer ou s'ouvrir sous l'effet de son propre poids, il sera nécessaire d'ajuster la tension des ressorts.

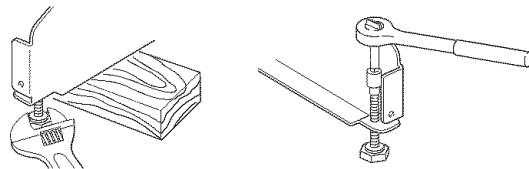
- Si la porte se referme trop vite, diminuer la tension des ressorts en déplaçant l'extrémité des ressorts vers l'avant du lave-vaisselle.
- Si la porte reste ouverte, augmenter la tension des ressorts en déplaçant l'extrémité des ressorts vers l'arrière du lave-vaisselle.
- Les ressorts devraient être placés dans les mêmes encoches à gauche et à droite.



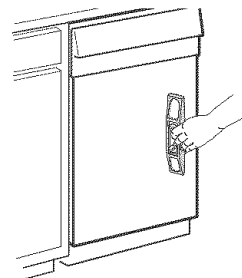
## Etablissement de l'aplomb du lave-vaisselle

1. Aligner l'avant du panneau de porte du lave-vaisselle avec les portes des placards. Cela pourrait nécessiter un léger déplacement du lave-vaisselle.

**Conseil utile :** Durant le réglage de la hauteur des pieds avant, soulever un côté du châssis du lave-vaisselle pour séparer le pied du plancher. Avec certaines installations, il peut être plus facile de régler le pied avant à l'aide d'une clé à tête hexagonale de 3/16".



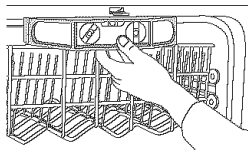
2. Vérifier que chaque pied de réglage de l'aplomb est fermement en appui sur le sol.
3. Fermer et verrouiller la porte; placer un niveau contre le panneau avant. Vérifier l'aplomb du lave-vaisselle. Si nécessaire, ajuster la hauteur des pieds de réglage de l'aplomb ou ajouter des cales sous les roues arrière pour établir l'aplomb correct du lave-vaisselle.



4. Répéter ces opérations pour l'autre côté du lave-vaisselle.

**NOTE :** Pour éviter tout déplacement des cales durant le fonctionnement du lave-vaisselle, il est nécessaire de fixer fermement les cales au plancher.

5. Placer le niveau contre la partie supérieure de la cuve, à l'avant; vérifier l'aplomb transversal de l'appareil. Si le lave-vaisselle n'est pas d'aplomb, ajuster la hauteur des pieds réglables avant pour établir l'aplomb.



## Raccordement électrique

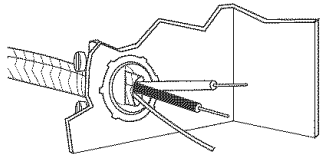
Voir la section "Spécifications électriques".

On doit disposer :

- d'une source d'électricité appropriée, et d'une liaison à la terre selon la méthode recommandée.
- pour le câblage direct, utiliser l'option 1.
- pour l'alimentation par un cordon d'alimentation, utiliser l'option 2.

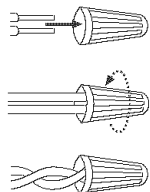
### Option 1 - Câblage direct

1. Acheminer le câble d'alimentation de telle manière qu'il ne touche pas le moteur du lave-vaisselle ni la partie inférieure de la cuve du lave-vaisselle.
2. Insérer les conducteurs du câble dans la boîte de connexion, à travers le trou.



### Conseil utile :

- Sélectionner des connecteurs de fils de taille appropriée pour le raccordement des conducteurs de l'appareil (calibre 16) au câblage de la maison.
- Insérer les extrémités des conducteurs dans le connecteur. Ne pas pré-torsader les conducteurs nus.
- Visser le connecteur.
- Tirer doucement sur les conducteurs pour vérifier la solidité de la connexion.



3. Utiliser des connecteurs de fils de taille appropriée pour le raccordement des conducteurs de l'appareil (calibre 16) au câblage de la maison, et réaliser les raccordements comme suit :

Câble d'alimentation		Conducteur dans la boîte de connexion
blanc	↔	blanc
noir	↔	noir
Liaison à la terre	↔	Connecteur de liaison à la terre

## ⚠ AVERTISSEMENT



### Risque de choc électrique

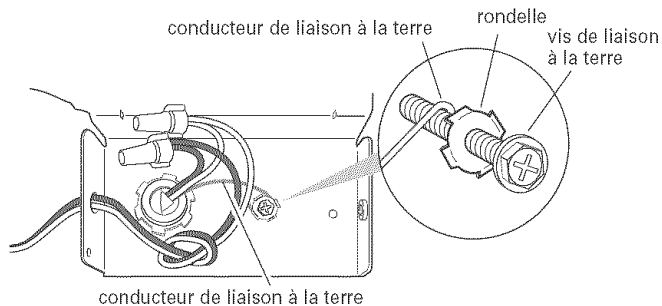
Relier le lave-vaisselle à la terre d'une méthode électrique.

Brancher le fil relié à la terre au connecteur vert relié à la terre dans la boîte de la borne.

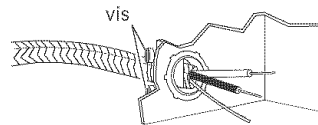
Ne pas utiliser un câble de rallonge.

Le non-respect de ces instructions peut causer un décès, un incendie ou un choc électrique.

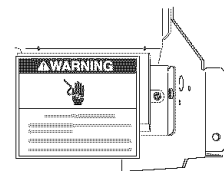
4. A l'extrémité du conducteur nu de liaison à la terre, former un crochet en U; placer le crochet du conducteur de liaison à la terre (dans le sens horaire) sur la vis de liaison à la terre et sous la rondelle.
5. Serrer fermement la vis de liaison à la terre. Ne pas défaire le nœud des conducteurs.



6. Serrer les vis de bridage du serre-câble ou du connecteur de conduit.



7. Réinstaller le couvercle de la boîte de connexion – enfermer les conducteurs à l'intérieur de la boîte. Le couvercle doit être placé à l'extérieur de la boîte de connexion, sur le côté gauche.



8. Veiller à ce qu'aucun conducteur ne soit coincé entre le couvercle et la boîte.



## ⚠️ AVERTISSEMENT



### Risque de choc électrique

- Brancher sur une prise à 3 alvéoles reliée à la terre.
- Ne pas enlever la broche de liaison à la terre.
- Ne pas utiliser un adaptateur.
- Ne pas utiliser un câble de rallonge.
- Le non-respect de ces instructions peut causer un décès, un incendie ou un choc électrique.

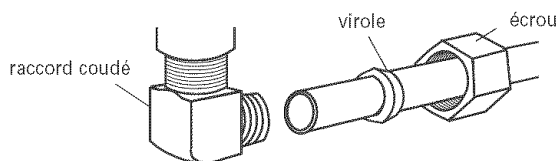
1. Brancher la fiche sur une prise de courant à 3 alvéoles, reliée à la terre.
2. Vérifier l'absence de tout contact entre le cordon d'alimentation et le moteur du lave-vaisselle ou la partie inférieure de la cuve du lave-vaisselle.

## Raccordement à la canalisation d'eau

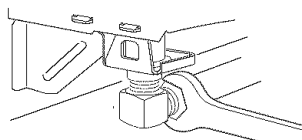
### Conseil utile :

Raccord à compression :

- a. Enfiler l'écrou sur le tube de cuivre, sur environ 2,5 cm (1").
- b. Enfiler la virole sur le tube. Ne pas positionner la virole à l'extrémité du tube.
- c. Insérer le tube dans le raccord coudé, aussi loin qu'il peut aller.
- d. Faire glisser l'écrou et la virole vers l'avant et visser l'écrou sur le filetage du raccord coudé. Manipuler délicatement le tube de cuivre lors de l'opération de positionnement; il est malléable et il peut facilement se déformer.



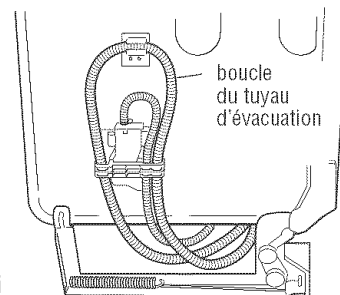
1. Pour réduire les effets de vibration du tuyau durant le fonctionnement, maintenir une séparation entre le tuyau et le moteur, la base ou le châssis de l'appareil.
2. Alors que le tube de cuivre a été enfoncé aussi loin qu'il pouvait aller dans le raccord, utiliser une clé pour serrer l'écrou sur le raccord coudé installé sur l'électrovanne d'admission d'eau. Ne pas utiliser de ruban adhésif Teflon® avec les raccords de compression.



3. Placer une serviette de papier sous le raccord coudé. Ouvrir l'arrivée d'eau et inspecter pour identifier toute fuite.

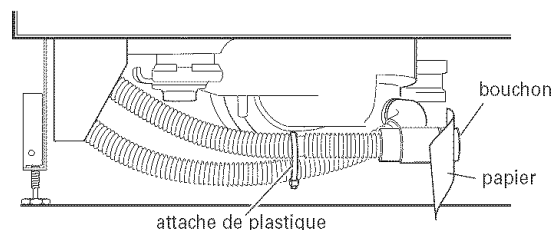
## Raccordement à la canalisation d'évacuation

1. Pour minimiser toute vibration, acheminer le conduit d'évacuation de telle manière qu'il n'y ait aucun contact avec le moteur, les ressorts de la porte, la canalisation d'eau, le placard, le plancher ou la circonférence du trou de passage à travers la paroi du placard.

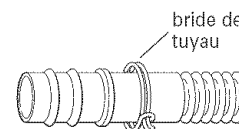


2. Ne pas détacher du lave-vaisselle la boucle formée par le tuyau d'évacuation sur le côté de l'appareil.
3. Placer un plat sous l'extrémité du tuyau d'évacuation pour y recueillir toute eau qui s'écoulerait du tuyau.
4. Ôter le bouchon et le papier à l'extrémité du raccord de connexion du tuyau d'évacuation.

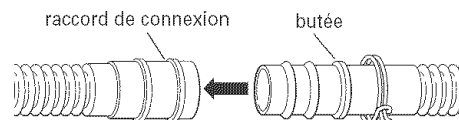
**NOTE :** Pour pouvoir manœuvrer plus facilement le tuyau d'évacuation durant l'installation, il peut être utile de couper l'attache de plastique qui maintient en place l'extrémité du tuyau d'évacuation.



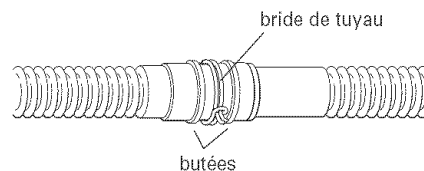
5. Placer la petite bride sur la petite extrémité du tuyau d'évacuation.



6. Enfoncer le tuyau d'évacuation dans le raccord de connexion, jusqu'à la butée.



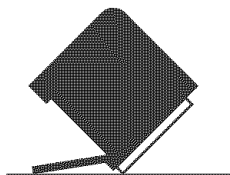
7. Avec une pince, ouvrir la bride de serrage et placer la bride sur le raccord de connexion, entre les butées (voir l'illustration).





## Immobilisation du lave-vaisselle dans l'espace d'installation

### ⚠ AVERTISSEMENT



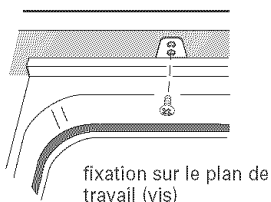
#### Risque de basculement

Ne pas utiliser le lave-vaisselle jusqu'à ce qu'il soit complètement installé.

Ne pas appuyer sur la porte ouverte.

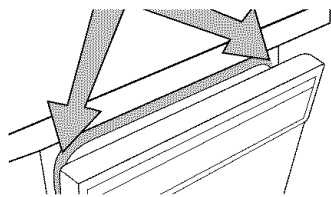
Le non-respect de ces instructions peut causer des blessures graves ou des coupures.

1. Si cela n'a pas déjà été fait, ouvrir la porte du lave-vaisselle et placer une serviette sur la pompe et la rampe d'aspersion; ceci empêchera une vis qui tomberait dans la cuve d'atteindre la zone de la pompe.
2. Contrôler le bon aplomb du lave-vaisselle, et le centrage latéral de l'appareil dans l'ouverture.
3. Assujettir le lave-vaisselle sur le plan de travail ou sur les côtés des placards avec deux vis Phillips n° 10 x 1/2". Il faut que le lave-vaisselle soit immobilisé pour qu'il ne bascule pas lors de l'ouverture de la porte. Veiller à ne laisser tomber aucune vis dans le lave-vaisselle.



fixation sur le plan de travail (vis)

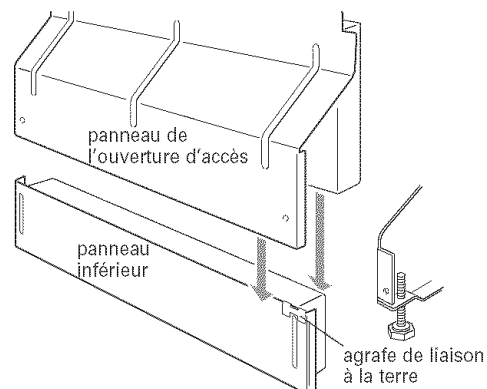
4. Entrouvrir la porte d'environ 7,6 cm (3"); vérifier que l'espace entre la doublure interne de la porte et la cuve est identique des deux côtés. Si l'espace n'est pas identique des deux côtés, desserrer les vis des brides d'arrimage et déplacer légèrement la cuve. Resserrer les vis.
5. Vérifier qu'il n'y a aucun contact entre le sommet de la porte et les vis, les brides ou le plan de travail. S'il y a un contact, on doit abaisser le lave-vaisselle puis établir de nouveau l'aplomb de l'appareil.



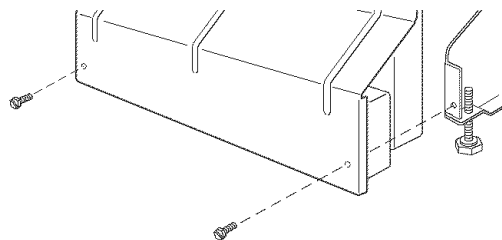
6. Retirer la serviette du lave-vaisselle.
7. Réinstaller le panier à vaisselle inférieur.

## Dernières opérations de l'installation

1. Vérifier que l'agrafe de liaison à la terre est fixée sur le panneau inférieur.
2. Placer le panneau inférieur derrière le panneau de l'ouverture d'accès. Sur certains modèles, il y a sur le panneau de l'ouverture d'accès un matériau isolant qui devra être inséré derrière l'isolant du panneau inférieur.



3. Maintenir les deux panneaux ensemble et placer les deux panneaux contre les pieds du lave-vaisselle.
4. Réinstaller les vis à travers les trous du panneau de l'ouverture d'accès et les fentes du panneau inférieur. Installer d'abord la vis du côté droit.



5. Vérifier que le bord inférieur du panneau inférieur est au contact du plancher.
6. Serrer les vis.

Alimentation de l'appareil par câblage direct :

**⚠ AVERTISSEMENT**



**Risque de choc électrique**

Relier le lave-vaisselle à la terre d'une méthode électrique.


Brancher le fil relié à la terre au connecteur vert relié à la terre dans la boîte de la borne.

Ne pas utiliser un câble de rallonge.

Le non-respect de ces instructions peut causer un décès, un incendie ou un choc électrique.

Alimentation de l'appareil par cordon d'alimentation :

**⚠ AVERTISSEMENT**



**Risque de choc électrique**

Brancher sur une prise à 3 alvéoles reliée à la terre.

Ne pas enlever la broche de liaison à la terre.

Ne pas utiliser un adaptateur.

Ne pas utiliser un câble de rallonge.

Le non-respect de ces instructions peut causer un décès, un incendie ou un choc électrique.

7. Rebrancher l'appareil ou reconnecter la source de courant électrique.

## Contrôle du fonctionnement

1. Lire le manuel d'utilisation et d'entretien fourni avec l'appareil.
2. Vérifier que toutes les pièces ont été installées et qu'aucune étape n'a été omise.
3. Vérifier la présence de tous les outils utilisés.
4. Mettre le lave-vaisselle en marche et commander l'exécution complète du programme de lavage le plus court. Après les deux premières minutes, déverrouiller la porte; attendre cinq secondes, puis ouvrir la porte.
5. Vérifier qu'il y a bien de l'eau au fond de la cuve du lave-vaisselle. Vérifier que le lave-vaisselle fonctionne correctement.
6. Si ce n'est pas le cas, déconnecter la source de courant électrique ou débrancher le lave-vaisselle et voir la section "Si le lave-vaisselle ne fonctionne pas correctement".

## Si le lave-vaisselle ne fonctionne pas correctement

Essayer d'abord les solutions suggérées ici pour éviter une coûteuse intervention de dépannage.

- Disjoncteur ouvert ou fusible grillé?
- Porte bien fermée et verrouillée?
- Sélection correcte du programme sur l'appareil?
- Arrivée d'eau ouverte?

Si ces contrôles ne permettent pas de résoudre l'anomalie, téléphoner au 1-800-4MY-HOME.

## NOTES

