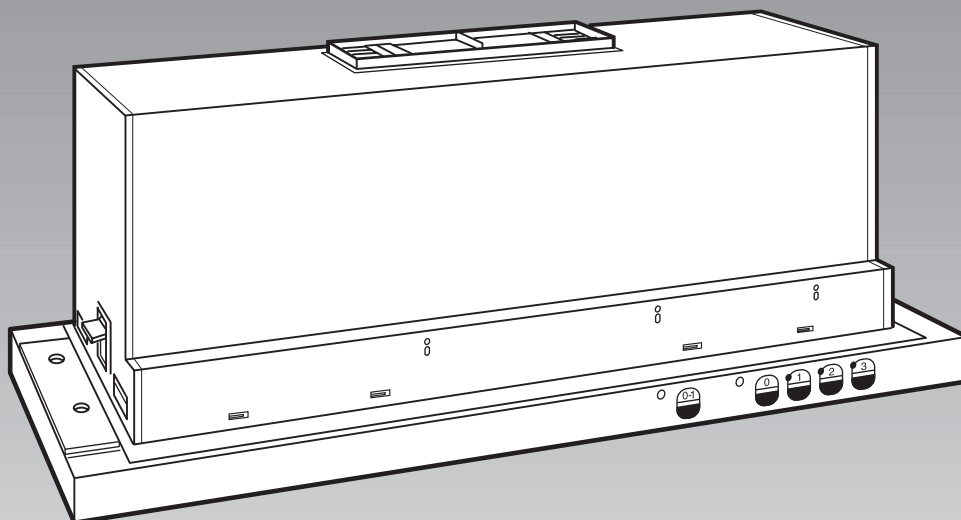


# Installation Instructions and Use and Care Guide



30" (76.2 cm)

36" (91.4 cm)

Slide-out Vent Hood

**IMPORTANT:**  
Read and save  
these instructions.

**IMPORTANT:**

**Installer:** Leave Installation Instructions with the homeowner.

**Homeowner:** Keep Installation Instructions for future reference.

**Save** Installation Instructions for local electrical inspector's use.

## Quick Reference

### Table of Contents:

Pages

<b>2</b>	Before you start
<b>3</b>	Electrical requirements
<b>3</b>	Product dimensions
<b>4</b>	Vent system requirements
<b>5 - 7</b>	Installation steps
<b>7 - 8</b>	Customized front panel
<b>8 - 9</b>	Use and Care Information
<b>9</b>	Accessories

## Before you start...

### Your safety and the safety of others is very important.

We have provided many important safety messages in this manual and on your appliance. Always read and obey all safety messages.



This is the safety alert symbol. This symbol alerts you to potential hazards that can kill or hurt you and others. All safety messages will follow the safety alert symbol and either the word "DANGER" or "WARNING". These words mean:

## ! DANGER

You can be killed or seriously injured if you don't immediately follow instructions.

## ! WARNING

You can be killed or seriously injured if you don't follow instructions.

All safety messages will tell you what the potential hazard is, tell you how to reduce the chance of injury, and tell you what can happen if the instructions are not followed.

### Important: Observe all governing codes and ordinances.

Proper installation is your responsibility.

- Have a qualified technician install the range hood.
- Comply with installation clearances specified on the model/serial rating plate.

**Model/serial rating plate** is located behind the left filter on rear wall of the vent hood.

**Range hood location** should be away from strong draft areas, such as windows, doors and strong heating vents.

**Cabinet opening dimensions** that are shown must be used. Given dimensions provide minimum clearance. Consult your cooktop/range manufacturer installation instructions before making any cutouts.

**Grounded electrical outlet** is required. See "Electrical requirements."

This vent hood is factory set for venting through the roof or wall. For non-vented (recirculating) installations, non-vented (recirculating) kit, Part No. 883140 is available from your dealer or authorized parts distributor.

### WARNING — TO REDUCE THE RISK OF FIRE, ELECTRIC SHOCK, OR INJURY TO PERSONS, OBSERVE THE FOLLOWING:

Installation work and electrical wiring must be done by qualified person(s) in accordance with all applicable Codes and Standards, including Fire Rated Construction. The combustion airflow needed for safe operation of fuel-burning equipment may be affected by this unit's operation. Follow the heating equipment manufacturer's guideline and safety standards such as those published by the National Fire Protection Association (NFPA), and the American Society of Heating Refrigeration and Air Conditioning Engineers (ASHRAE), and the local code authorities.

When cutting or drilling into wall or ceiling, do not damage electrical wiring and other hidden utilities.

Ducted fans must always be vented to the outdoors.

WARNING — To reduce the risk of fire, use only metal ductwork.

This unit must be grounded.

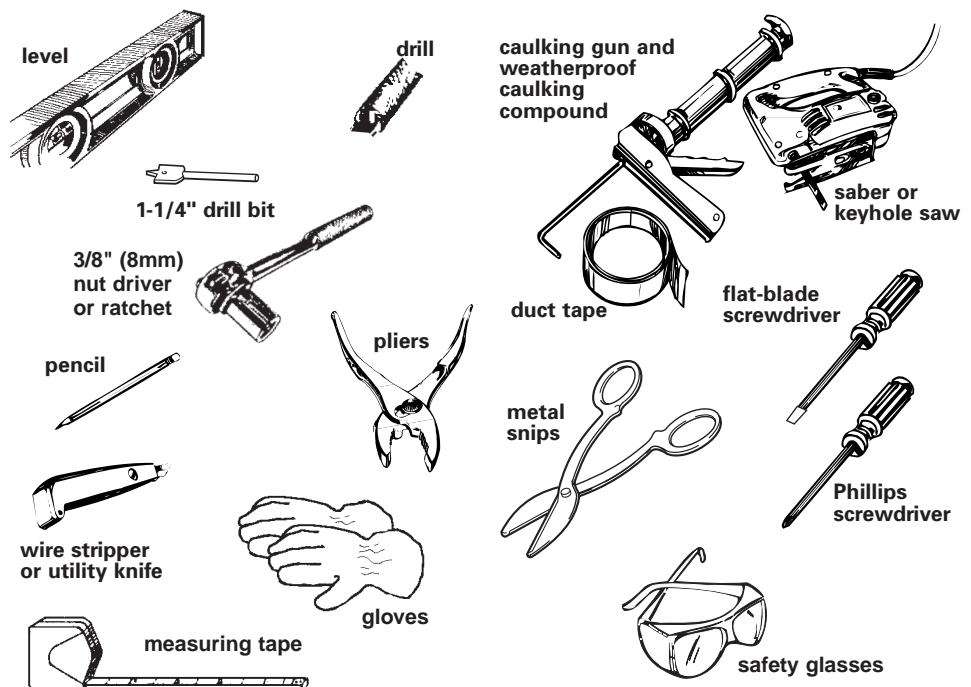
## Parts supplied for installation:

- 2 screws
- damper
- plastic cover (used for customized front panel)

## Parts needed for installation:

- wood filler strips for cabinets with recessed bottoms (step 5, page 5)
- 2, 1" x 1" x 5" (25.4 x 25.4 x 127 mm) wood pieces – optional (step 10, page 6)
- 2, 1/2" (12.7 mm) U.L.- or C.S.A.-listed conduit connectors
- 1 wall cap for interior-mounted motor
- metal vent system
- 4, 1-1/4" (31.8 mm) wood screws
- power supply cable

## Tools needed:



# Electrical requirements

**Important: Observe all governing codes and ordinances.**

**It is the customer's responsibility:**

- To contact a qualified electrical installer.
- To assure that the electrical installation is adequate and in conformance with National Electrical Code, ANSI/NFPA 70 — latest edition\*, or CSA Standards C22.1-94, Canadian Electrical Code, Part 1 and C22.2 No. 0-M91 - latest edition\*\* and all local codes and ordinances.

If codes permit and a separate ground wire is used, it is recommended that a qualified electrician determine that the ground path is adequate.

Do not ground to a gas pipe.

Check with a qualified electrician if you are not sure downdraft vent is properly grounded.

Do not have a fuse in the neutral or ground circuit.

**IMPORTANT:**  
Save Installation instructions for electrical inspector's use.

**A.** A 120-volt, 60-Hz, AC-only, 15-ampere fused electrical supply is required. A time-delay fuse or circuit breaker is recommended. It is recommended that a separate circuit serving only this appliance be provided.

**B.** THE VENT HOOD MUST BE CONNECTED WITH COPPER WIRE ONLY.

**C.** Wire sizes and connections must conform to the requirements of the National Electrical Code, ANSI/NFPA 70 — latest edition\*, or CSA Standards C22.1-94, Canadian Electrical Code, Part 1 and C22.2 No. 0-M91 - latest edition\*\* and all local codes and ordinances.

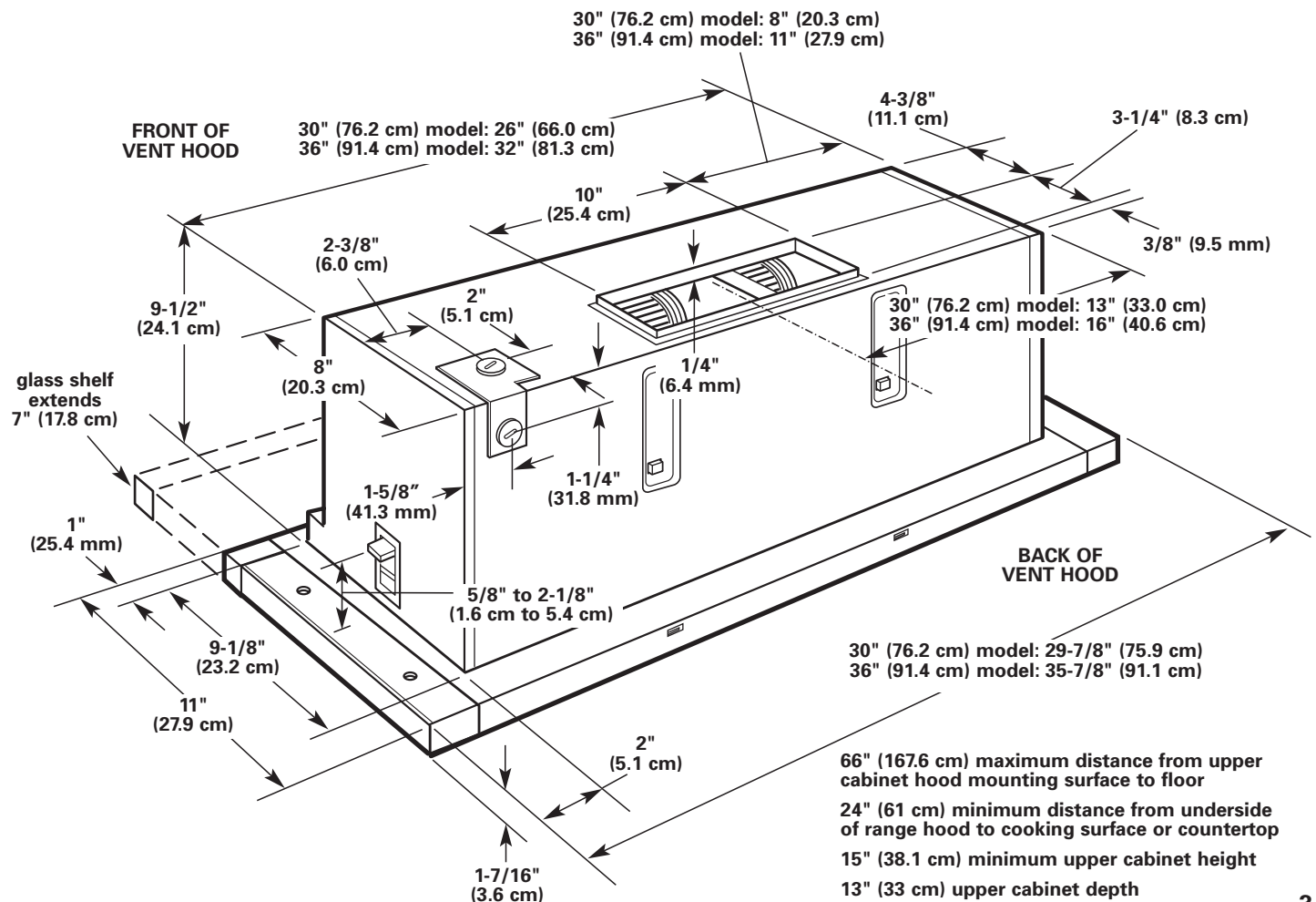
**D.** A U.L.- or C.S.A.-listed, 1/2" (12.7 mm) conduit connector must be provided at each end of the power supply cable (at the cooktop and at the junction box).

Copies of the standards listed may be obtained from:

\* National Fire Protection Association  
Batterymarch Park  
Quincy, Massachusetts 02269

\*\* CSA International  
8501 East Pleasant Valley Road  
Cleveland, Ohio 44131-5575

# Product dimensions



# Vent system requirements

Vented (non-recirculating) system must terminate to the outside.

Do not terminate the vent system in an attic or other enclosed area.

Do not use 4" (10.2 cm) laundry-type wall caps.

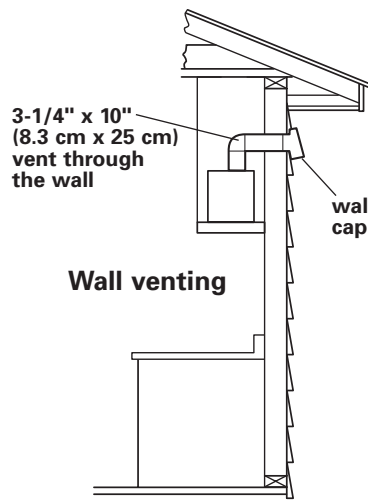
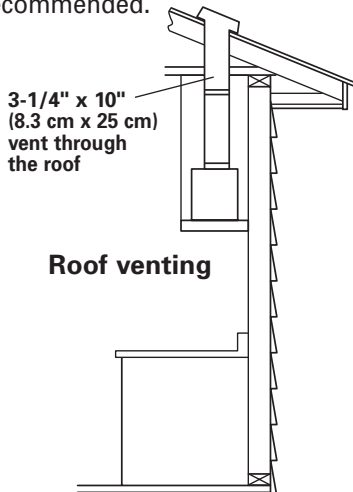
Use metal vent only. Rigid metal vent is recommended. Do not use plastic or metal foil vent.

- The size of the vent should be uniform.
- Use no more than three 90° elbows.
- Make sure there is a minimum of 24" (61 cm) of straight vent between the elbows if more than one elbow is used.
- Do Not install two elbows together.
- The length of vent system and number of elbows should be kept to a minimum to provide efficient performance.
- The vent system must have a damper. If roof or wall cap has a damper, Do Not use damper supplied with the range hood.
- Use duct tape to seal all joints in the vent system.
- Use caulking to seal exterior wall or roof opening around the cap.

Determine which venting method is best for your installation and follow installation steps.

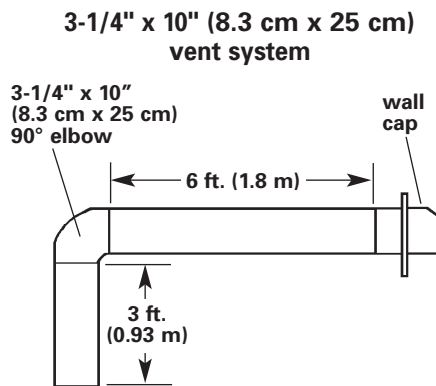
## Venting methods

Vent system needed for installation is not included. 3-1/4" x 10" (8.3 cm x 25 cm) rectangular is recommended.



## Recommended vent system length

Use 3 1/4" x 10" (8.3 cm x 25 cm) vent with maximum length of 26 feet (8 m) for vent system. For best performance, use no more than three 90° elbows. To calculate the length of system you need, add the equivalent feet (meters) for each vent piece used in the system. See the following example.

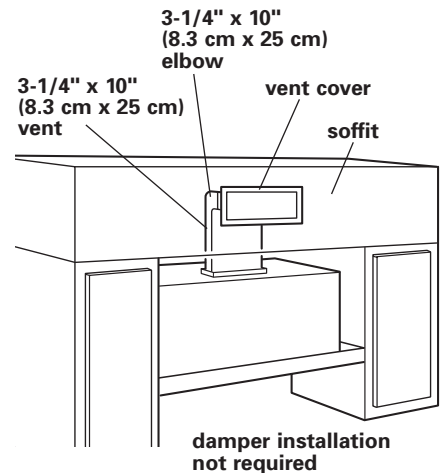


<b>Maximum length</b>	<b>= 26 ft. (8 m)</b>
1 — 90° elbow	= 5 ft. (1.5 m)
9 ft. (2.8 m) straight	= 9 ft. (2.8 m)
1 — wall cap	= 0 ft. (0 m)
<b>Length of 3-1/4" x 10" (8.3 cm x 25 cm) system</b>	<b>= 14 ft. (4.3 m)</b>

## Recommended standard fittings

3-1/4" x 10" (8.3 cm x 25 cm) 90° elbow = 5 ft. (1.5 m)	
3-1/4" x 10" (8.3 cm x 25 cm) flat elbow = 12 ft. (3.7 m)	
3-1/4" x 10" (8.3 cm x 25 cm) wall cap = 0 ft. (0 m)	

## Non-vented (recirculating) vent through the soffit

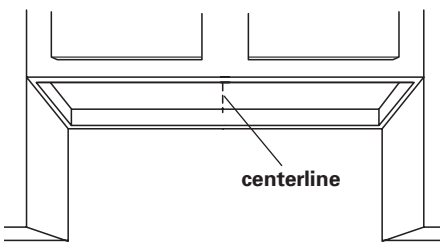


This vent hood is factory set for venting through the roof or wall. For non-vented (recirculating) installations, Non-Vent Kit part no. 883140 is available from your dealer or authorized parts distributor.

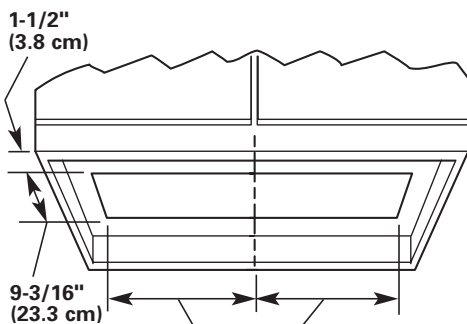
# Installation steps

**1.** If possible, disconnect and carefully move freestanding range from cabinet opening to provide easier access to upper cabinet and rear wall. Put a thick, protective covering over cooktop, set-in range or countertop to protect from damage or dirt.

**2.** Determine which venting method [roof, wall, or non-vented (recirculating)] you wish to use.



**3.** Determine and clearly mark a centerline on the underside of the cabinet.



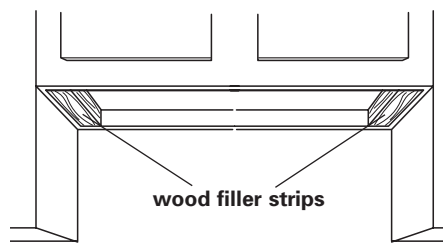
30" (76.2 cm) hood – 13-1/16" (33.2 cm)  
36" (91.4 cm) hood – 16-1/16" (40.8 cm)

The finished cutout size will be —

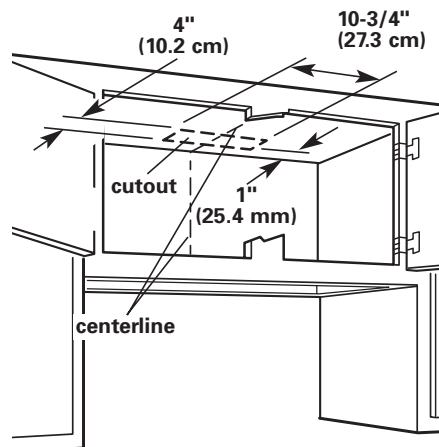
30" (76.2 cm) hood:  
9-13/16" x 26-1/8" (23.3 cm x 66.4 cm)

36" (91.4 cm) hood:  
9-13/16" x 32-1/8" (23.3 cm x 81.6 cm)

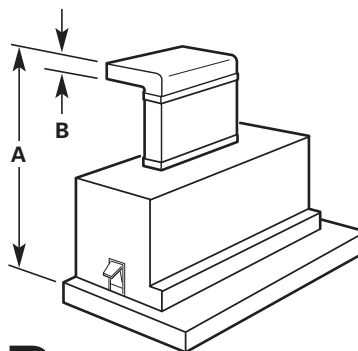
**4.** Measure and mark lines as shown for your size of vent hood. Use a saber saw or keyhole saw to cut opening through underside of cabinet.



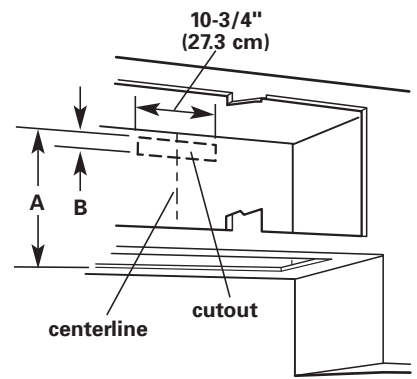
**5.** If cabinet bottom is recessed above a support frame, wood filler strips need to be installed on the right and left sides of cutout to provide clearance for sliding glass screen. Wood filler strips should be flush with or recessed 1/16" – 1/8" (1.6 mm – 3.2 mm) from the bottom of the support frame.



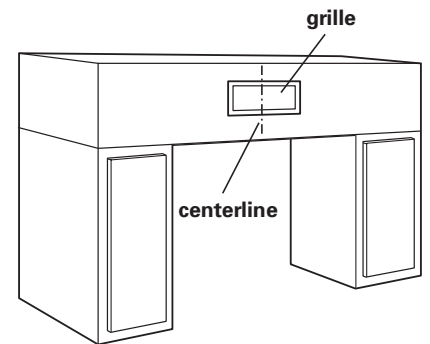
**6A.** To vent outside through the roof with 3-1/4" x 10" (8.3 cm x 25 cm) rectangular vent, measure and mark lines as shown. Use a saber saw or keyhole saw to cut a rectangular opening for the vent.



**6B.** To vent outside through the wall with 3-1/4" x 10" (8.3 cm x 25 cm) rectangular vent, assemble vent you will use over vent opening. Do Not attach vent at this time. Measure from the top of the glass screen housing to top of vent opening (dim. "A") and back to bottom of vent opening (dim. "B"). Remove vent.



Transfer measurement "A" and "B" to the cabinet backwall. Measure from the underside of cabinet or wood filler strips if used. Mark the cutout as shown. Use a saber saw or keyhole saw to cut a rectangular opening for vent.



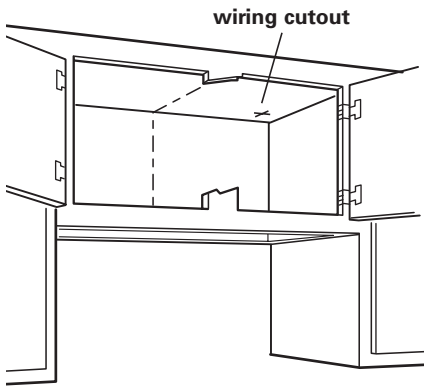
**6C.** To vent inside through the soffit with 3-1/4" x 10" (8.3 cm x 25 cm) rectangular vent, measure and mark a rectangular vent opening in the soffit using the method shown in step 6B. Measure and mark the same centerline on the soffit above the vent hood area. Use the grille from the Non-vented (recirculating) Kit or other grille as a template to outline opening for vent. Use a saber saw or keyhole saw to cut a rectangular opening for the vent system.

The hood can be vented inside through the top of the cabinet. **Do not terminate vent into a dead air space.**

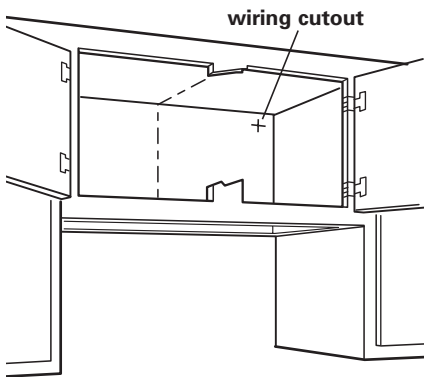
The Non-vented (recirculating) Kit, Part No. 883140 must be used.

**7.** Install vent system according to method needed. Use caulking to seal exterior wall or roof opening.



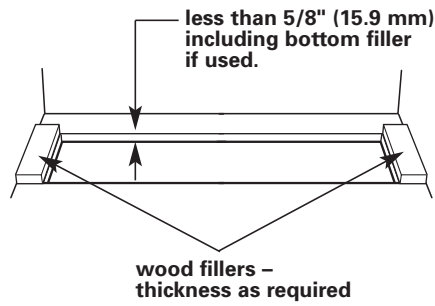


**8.** To wire through top wiring knockout, measure and mark a line 10-5/8" (27 cm) [for 30" (76.2 cm) hood] or 11-5/8" (29.5 cm) [for 36" (91.4 cm) hood] from right of centerline on cabinet ceiling. Mark the point on this line that is 4" (10.2 cm) from back wall of cabinet. Drill a 1-1/4" (3.2 cm) diameter hole through the cabinet ceiling.

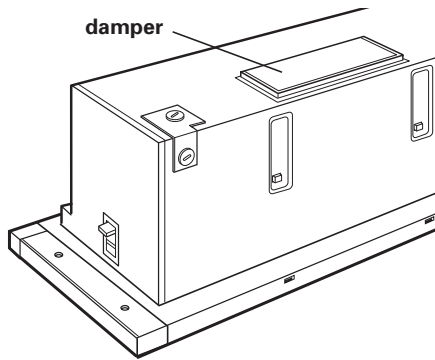


To wire through rear wiring knockout, measure and mark a line 11-3/8" (29.8 cm) [for 30" (76.2 cm) hood] or 14-3/8" (36.5 cm) [for 36" (91.4 cm) hood] from right of centerline on cabinet back wall. Mark the point on this line that is 8-1/4" (21 cm) from bottom of the cabinet. Drill a 1-1/4" (3.2 cm) diameter hole through the wall.

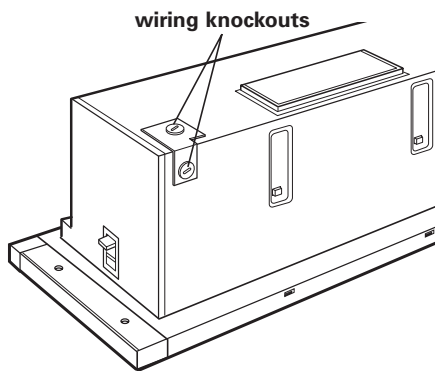
**9.** Run wiring through wall or cabinet according to the National Electrical Code and all local codes and ordinances. **Do Not turn on power until installation is complete.** Use caulking to seal around wire opening.



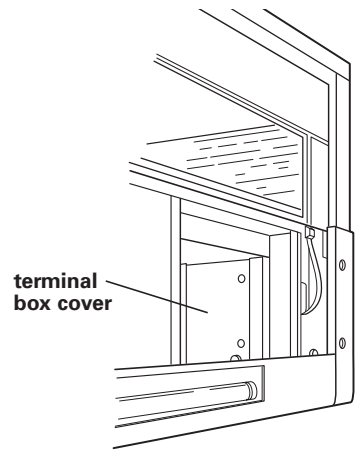
**10.** Measure the thickness of the cabinet floor, (including filler strips if used). If the thickness is less than 5/8" (15.9 mm), install wood block fillers [5" (12.7 cm) long minimum] on cabinet floor. The mounting bracket adjusts from 5/8" (15.9 mm) to 2-1/8" (54 mm) for the wood block fillers.



**11.** Remove vent hood from carton. Attach damper to vent opening. If roof cap has a damper, do not attach damper to vent hood.



**12.** Remove knockout from the wiring opening (top or rear) to be used.



**13.** Place vent hood on its back side on a protected surface. Slide glass screen forward. Pull tabs to remove filters. Remove terminal box cover. Close glass screen. Slide mounting brackets to top position.

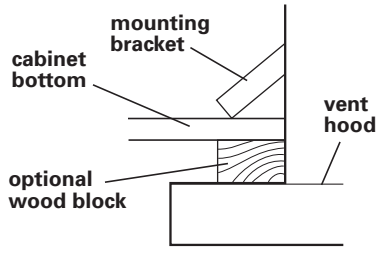
Note: For some installations using the non-vented (recirculating) kit, it may be easier to attach the vent system to the hood before lifting hood into its final position. Seal the connection with duct tape.

**⚠ WARNING**

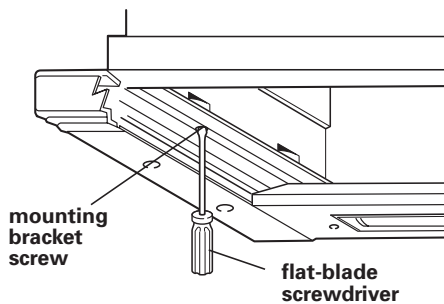
**Excessive Weight Hazard**

Use two or more people to move and install vent hood.

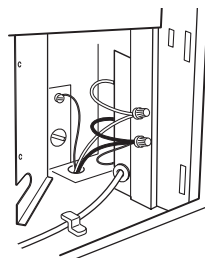
Failure to do so can result in back or other injury.



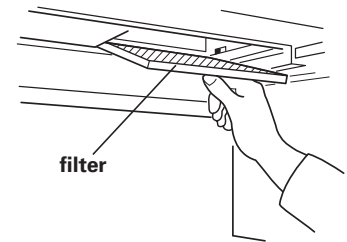
**14.** Lift vent hood into final position and feed electrical wire through wiring opening. Mounting brackets should overlap cabinet bottom or wood blocks. Center range hood.



**15.** Check that the front panel is parallel with the cabinet front when the screen is pushed in. Slide glass screen forward. Tighten mounting bracket screws so that vent hood is secured to cabinet.

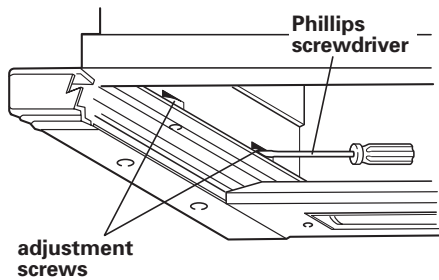


**17.** Connect the white wire of the power supply cable to the white wire in the hood with a twist-on connector. Connect the black wire of the power supply cable to the black wire in the hood with a twist-on connector.



**18. For vented installations:** Replace metal filters. Connect the vent system to the hood vent opening. Seal connection with duct tape.

**For non-vented (recirculating) installations:** Connect the vent system to the hood vent opening. Seal connection with duct tape. Follow instructions included with Kit No. 883140.



**16.** Align the hood front panel with the cabinet: Slide glass screen forward. Locate two screws on each side and turn counterclockwise to loosen screws. Adjust front of vent vertically [3/8" (9.5 mm) up or down] or horizontally [3/4" (19 mm) front to back] until front is flush with cabinet. Tighten screws. **Do Not** adjust more than dimensions given.

**⚠ WARNING**

**Electrical Shock Hazard**

**Disconnect power before making electrical connections.**

**Connect ground wire to green ground connector in terminal box.**

**Failure to do so can result in death or electrical shock.**

Connect the power supply ground wire to the green, ground screw inside the vent hood terminal box. Replace terminal box cover.

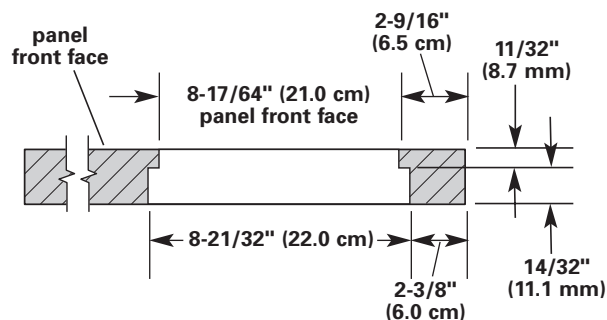
**19.** Turn power supply on. Slide glass screen forward. Check operation of vent hood fan and light. Close glass screen.

## Customized front panel

The front panel of the vent hood can be removed and a customized front panel added for a more blended look.

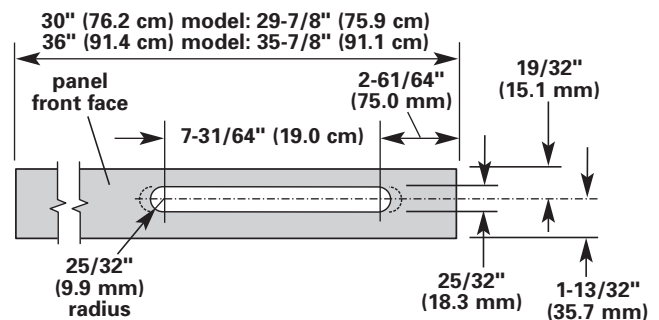
**For the KWVU and YKWVU model series:**

It is recommended that a cabinet maker cut the customized front panel because of the precise cuts needed for the electronic control panel.

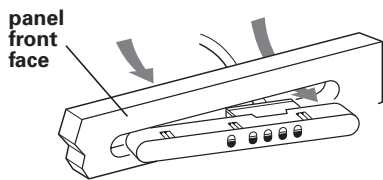


Section view of control panel cutout

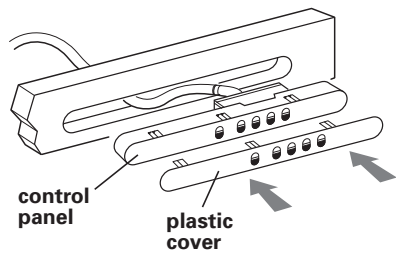
1. Use the dimensions shown to cut front panel for either a 30" (76.2 cm) or 36" (91.4 cm) front panel, depending on size of vent hood.
2. Remove the three cross-recess screws located behind the front trim panel in the glass screen frame. Remove front panel from glass screen frame.
3. Pull control panel from the front of the trim panel.



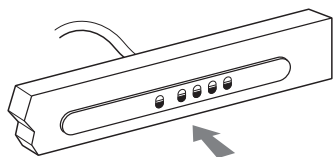
Front view of control panel cutout



4. Insert control panel through the customized front panel.



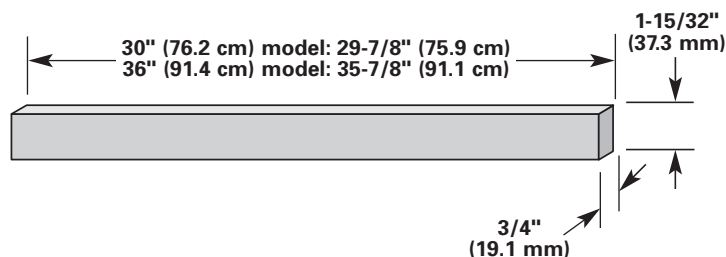
5. Attach plastic cover over the control panel and snap into place.



6. Press control panel into the cutout and snap into place.

7. Attach customized front panel to glass screen frame with the three cross-recess screws.

For GZ or YGZ model series:



1. Use the dimensions shown to cut front panel for either a 30" (76.2 cm) or 36" (91.4 cm) front panel, depending on size of vent hood.

2. Remove the three cross-recess screws located behind the front trim panel in the glass screen frame. Remove front panel from glass screen frame.

3. Remove trim panel.

4. Attach customized front panel to glass screen frame with the three cross-recess screws.

**To get the most efficient use from your new vent hood read the Use and Care Information section below. Keep Installation Instructions and Use and Care Information close by for easy reference.**

## Use and Care Information

**For GZ or YGZ model series:** WARNING — To reduce the risk of fire or electrical shock, do not use this fan with any solid-state speed control device.

**For KWVU or YKWVU model series:** This fan suitable for use with solid-state speed controls.

**WARNING — TO REDUCE THE RISK OF FIRE, ELECTRIC SHOCK, OR INJURY TO PERSONS, OBSERVE THE FOLLOWING:**

Use this unit only in the manner intended by the manufacturer. If you have questions, contact the manufacturer. Before servicing or cleaning unit, switch power off at service panel and lock switch power off at service panel and lock service panel to prevent power from being switched on accidentally. When the service disconnecting means cannot be locked, securely fasten a prominent warning device such as a tag to the service panel.

**CAUTION:** For general ventilating use only. Do not use to exhaust hazardous or explosive materials and vapors.

**WARNING — TO REDUCE THE RISK OF A RANGE TOP GREASE FIRE:**

Never leave surface units unattended at high settings. Boilovers cause smoking and greasy spillovers that may ignite. Heat oils slowly on low or medium settings.

Always turn hood ON when cooking at high heat or when cooking flaming foods.

Clean ventilating fans frequently. Grease should not be allowed to accumulate on fan or filter.

Use proper pan size. Always use cookware appropriate for the size of the surface element.

**WARNING — TO REDUCE THE RISK OF INJURY TO PERSONS IN THE EVENT OF A RANGE TOP GREASE FIRE, OBSERVE THE FOLLOWING:**

**SMOTHER FLAMES** with a close-fitting lid, cookie sheet, or metal tray, then turn off the burner. **BE CAREFUL TO PREVENT BURNS.**

If the flames do not go out immediately, **EVACUATE AND CALL THE FIRE DEPARTMENT.**

**NEVER PICK UP A FLAMING PAN** — You may be burned.

**DO NOT USE WATER**, including wet dishcloths or towels — a violent steam explosion will result. Use an extinguisher **ONLY** if:

You know you have a Class ABC extinguisher, and you already know how to operate it.

The fire is small and contained in the area where it is started.

The fire department is being called.

You can fight the fire with your back to an exit.



## Exterior surfaces

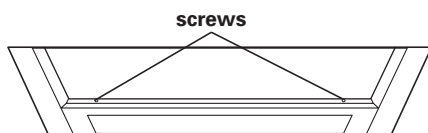
Clean the vent hood with a mild detergent and soft cloth. Do Not use abrasive cleansers or steel wool pads.

## Filters

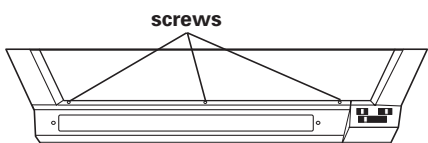
For best results, clean filters often. Pull tabs downward to remove filters. Place filters in dishwasher or hot sudsy water to clean.

## Replacing the bulb

### KWVU and YKWVU model series:



### GZ and YGZ model series:

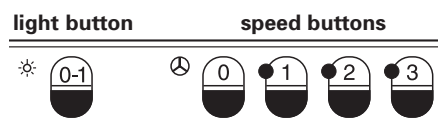


1. Remove screws above light cover and set aside.
2. Pull light cover forward slightly and then downward to remove cover.
3. Replace light bulb. Use a 15-watt fluorescent bulb with 30" (76.2 cm) unit and 18-watt bulb with 36" (91.4 cm) unit.
4. Lift cover back into position. Replace screws.

## Operating of vent hood

For best results, turn vent hood fan on at beginning of cooking and allow it to run until all smoke and odors are removed from room.

### KWVU and YKWVU model series:



#### To turn fan ON:

Slide glass shelf forward. Press the fan "speed" button for the desired speed. Speed may be increased, decreased, or turned off anytime during vent hood operation. The indicator light next to "speed" button selected should be on when the fan is running.

#### To turn fan OFF:

Press the "0" button or close the glass shelf. The fan will shut off when glass shelf is about 2" (5.1 cm) from the closed position. When the glass shelf is opened, the fan will operate at the last setting.

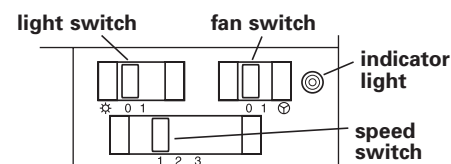
#### To turn vent hood light ON:

Open the glass shelf about 1" (2.5 cm). Press the "light" button. The light will be on each time the glass shelf is opened. The light can be used for a night light by opening the glass shelf about 1" (2.5 cm).

#### To turn vent hood light OFF:

Press the "light" button to turn the light off. Or close the glass shelf.

### GZ and YGZ model series:



#### To turn fan ON:

Slide glass shelf forward. Move the "fan" switch to "1". Move the "speed" switch to desired setting. The speed may be increased, decreased, or turned off anytime during vent hood operation. The "indicator" light should be on when the fan is running.

#### To turn fan OFF:

Move the "fan" switch to "0" or close the glass shelf. The fan will shut off when glass shelf is about 2" (5.1 cm) from the closed position. When the glass shelf is opened, the fan will operate at the last settings.

#### To turn vent hood light ON:

Open the glass shelf about 1" (2.5 cm). Move the "light" switch to the "1" position. The light will be on each time the glass shelf is opened. The light can be used for a night light by opening the glass shelf about 1" (2.5 cm).

#### To turn vent hood light OFF:

Move the "light" switch to the "0" position. Or close the glass shelf.

# Accessories

available from your dealer

Note: Instructions are included with each kit.

Front trim kit – matches the front panel color to range or cooktop color.

### For 30" (76.2 cm) model series KWVU205 & YKWVU205:

- Part No. 4360201 (white)
- Part No. 4360203 (black)
- Part No. 4392855 (biscuit)

### For 36" (91.4 cm) model series KWVU265 & YKWVU265: :

- Part No. 4360202 (white)
- Part No. 4360204 (black)
- Part No. 4392856 (biscuit)

### For 30" (76.2 cm) model series GZ7730 & YGZ7730:

- Part No. 4396067 (white)
- Part No. 4396066 (black)
- Part No. 8171368 (biscuit)

### For 36" (91.4 cm) model series GZ7736 & YGZ7736: :

- Part No. 4396069 (white)
- Part No. 4396068 (black)
- Part No. 8171369 (biscuit)

### Non-Vent (recirculating) Kit:

Part No. 883140 – fits all models

# Vent System Warranty

LENGTH OF WARRANTY	WARRANTY WILL PAY FOR
ONE-YEAR FULL WARRANTY From Date of Purchase	Labor and any parts of your vent system (except light bulbs and filters) which are defective in materials or workmanship.
WARRANTY WILL NOT PAY FOR	
<p>A. Any labor costs incidental to the replacement of defective parts during the warranty period.</p> <p>B. Consumable parts such as light bulbs and filters.</p> <p>C. Service calls to:</p> <ol style="list-style-type: none"><li>1. Correct the installation of the vent system.</li><li>2. Instruct you how to use the vent system.</li><li>3. Replace house fuses or correct house wiring.</li></ol> <p>D. Repairs when vent system is used in other than normal, single-family household use.</p> <p>E. Pickup and delivery. This product is designed to be repaired in the home.</p> <p>F. Damage to vent system caused by accident, misuse, fire, flood, act of God or use of products not approved by Whirlpool.</p> <p>G. Repairs to parts or systems resulting from unauthorized modifications made to the appliance.</p> <p>H. Replacement parts or repair labor costs for units outside the United States or Canada.</p> <p>I. In Canada, travel or transportation expenses for customers who reside in remote areas.</p>	

**WHIRLPOOL, INGLIS LIMITED, KITCHENAID® and KITCHENAID CANADA DO NOT ASSUME ANY RESPONSIBILITY FOR INCIDENTAL OR CONSEQUENTIAL DAMAGES.** Some states or provinces do not allow the exclusion or limitation of incidental or consequential damages, so this exclusion or limitation may not apply to you.

**This warranty gives you specific legal rights, and you may also have other rights which may vary from state to state or province to province.**

**Outside the United States and Canada, a different warranty may apply. For details, please contact your authorized dealer.**

# Requesting Assistance or Service in U.S.A.

Identify the brand of your vent system and, as appropriate, call the KitchenAid Customer InteractionCenter toll-free at 1-800-422-1230 or call the Whirlpool Customer Interaction Center toll-free at 1-800-422-1301. Our consultants are available to assist you.



When calling: Please know the purchase date, and the complete model and serial number of your appliance. This information will help us better respond to your request.

**Our consultants provide assistance with:**

- Features and specifications on our full line of appliances

- Installation information
- Use and maintenance procedures
- Accessory and repair parts sales
- Specialized customer assistance (Spanish speaking, hearing impaired, limited vision, etc.)
- Referrals to local dealers, service companies, and repair parts distributors

Whirlpool-designated service technicians are trained to fulfill the product warranty and provide after-warranty service, anywhere in the United States.

To locate the designated service company in your area, you can also look in your telephone directory Yellow Pages.

## If you need replacement parts

If you need to order replacement parts, we recommend that you only use factory-authorized parts. These parts will fit right and work right, because they are made to the same exacting specifications used to build every new Whirlpool or KitchenAid appliance.

To locate factory-authorized parts in your area, call our Customer Interaction Center telephone number, your nearest authorized service center, or Factory Service at 1-800-442-1111.

## For further assistance

If you need further assistance, you can write to Whirlpool Corporation or KitchenAid with any questions or tell us about your concerns at:

Customer Interaction Center  
c/o Correspondence Dept.  
2000 North M-63  
Benton Harbor, MI 49022-2692

Please include a daytime phone number in your correspondence.

# Requesting Assistance or Service in Canada

Call toll-free, 8:30 a.m. to 6 p.m. (EST) at 1-800-422-1230. Or contact your nearest Inglis Limited or KitchenAid Canada Appliance Service branch or designated servicing outlet (see list at right) to service your appliance.



When asking for assistance or service, please provide a detailed description of the problem, your appliance's complete model and serial numbers, and the purchase date. This information will help us respond properly to your request.

Direct service branches:

<b>BRITISH COLUMBIA</b>		1-800-665-6788
<b>ALBERTA</b>		1-800-661-6291
<b>ONTARIO</b>	Ottawa area	1-800-267-3456
<b>(except 807 area code)</b>	Outside the Ottawa area	1-800-807-6777
<b>MANITOBA, SASKATCHEWAN</b>		1-800-665-1683
<b>and 807 area code in ONTARIO</b>		
<b>QUEBEC</b>	Montreal (except South Shore)	1-800-361-3032
	South Shore Montreal	1-800-361-0950
	Quebec City	1-800-463-1523
	Sherbrooke	1-800-567-6966
<b>ATLANTIC PROVINCES</b>		1-800-565-1598

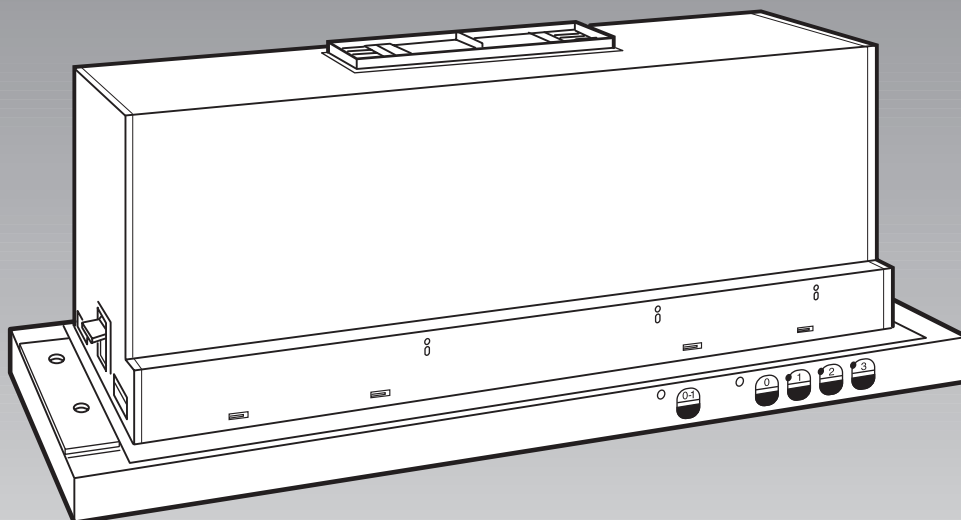
## For further assistance

If you need further assistance, you can write to Inglis Limited or KitchenAid Canada with any questions or concerns at:

Consumer Relations Department  
1901 Minnesota Court  
Mississauga, Ontario L5N 3A7

Please include a daytime phone number in your correspondence.

# Instructions d'installation et Guide d'utilisation et d'entretien



**Hotte d'aspiration pour cuisinière**  
**76,2 cm (30 po)**  
**91,4 cm (36 po)**

**IMPORTANT :**  
**Lire et conserver**  
**ces instructions.**

**IMPORTANT :**

**Installateur :** Remettre les instructions d'installation au propriétaire de l'appareil.

**Propriétaire :** Conserver les instructions d'installation pour consultation ultérieure.

**Conserver** les instructions d'installation à l'intention de l'inspecteur local des installations électriques.

## Référence rapide

### Table des matières :

Pages

<b>2</b>	Avant de commencer...
<b>3</b>	Alimentation électrique
<b>3</b>	Dimensions du produit
<b>4</b>	Circuit de décharge de l'air
<b>5 - 7</b>	Étapes de l'installation
<b>7 - 8</b>	Panneau avant personnalisé
<b>8 - 9</b>	Information d'utilisation et entretien
<b>9</b>	Accessoires

## Avant de commencer...

### Votre sécurité et celle des autres est très importante.

Nous donnons de nombreux messages de sécurité importants dans ce manuel, et sur votre appareil ménager. Assurez-vous de toujours lire tous les messages de sécurité et de vous y conformer.

Voici le symbole d'alerte de sécurité.



Ce symbole d'alerte de sécurité vous signale les dangers potentiels de décès et de blessures graves à vous et à d'autres.

Tous les messages de sécurité suivront le symbole d'alerte de sécurité et le mot «DANGER» ou «AVERTISSEMENT». Ces mots signifient :

## ! DANGER

Risque possible de décès ou de blessure grave si vous ne suivez pas immédiatement les instructions.

## ! AVERTISSEMENT

Risque possible de décès ou de blessure grave si vous ne suivez pas les instructions.

Tous les messages de sécurité vous diront quel est le danger potentiel et vous disent comment réduire le risque de blessure et ce qui peut se produire en cas de non-respect des instructions.

### Important : Respecter les prescriptions de tous les codes et règlements en vigueur.

C'est à vous qu'incombe la responsabilité d'une **installation correcte**.

- Demander à un technicien qualifié d'installer cette hotte.
- Respecter lors de l'installation les dégagements de séparation spécifiés sur la plaque signalétique de l'appareil.

La **plaque signalétique** (avec numéro de modèle et numéro de série) est située derrière la hotte, sur la paroi arrière.

La **hotte d'aspiration** devrait toujours être installée loin des sources de courants d'air comme fenêtres, portes et bouches de chauffage.

On doit respecter les dimensions indiquées pour l'ouverture dans le placard. Les dimensions indiquées tiennent compte des dégagements de séparation nécessaires. Avant d'effectuer un découpage, consulter les instructions d'installation fournies par le fabricant de la cuisinière ou table de cuisson.

Une **prise de courant électrique reliée à la terre** est nécessaire. Voir "Alimentation électrique".

Cette hotte d'aspiration est configurée à l'usine pour la décharge à travers le toit ou un mur. Pour une installation sans évacuation de l'air à l'extérieur (recyclage), l'ensemble de pièces N° 883140 est disponible chez les revendeurs ou distributeurs de pièces agréés.

### AVERTISSEMENT - POUR RÉDUIRE LE RISQUE D'INCENDIE, CHOC ÉLECTRIQUE OU BLESSURE, RESPECTER LES INSTRUCTIONS SUIVANTES :

Tout travail d'installation ou câblage électrique doit être réalisé par une personne qualifiée, dans le respect des prescriptions de tous les codes et normes applicables, y compris les codes du bâtiment et de protection contre les incendies. Le fonctionnement de cet appareil peut modifier la circulation de l'air et affecter le fonctionnement d'un appareil utilisant un combustible. Respecter les directives du fabricant de l'équipement de chauffage et les prescriptions des normes de sécurité - comme celles publiées par la National Fire Protection Association (NFPA) et l'American Society of Heating, Refrigeration and Air Conditioning Engineers (ASHRAE) - et les prescriptions des autorités réglementaires locales.

Lors d'opérations de découpage et de perçage dans un mur ou plafond, veiller à ne pas endommager les câblages électriques ou canalisations qui peuvent s'y trouver.

Le conduit d'évacuation associé à un ventilateur doit toujours décharger l'air à l'extérieur.

AVERTISSEMENT - Pour réduire le risque d'incendie, utiliser uniquement des conduits métalliques.

Cet appareil doit être relié à la terre.

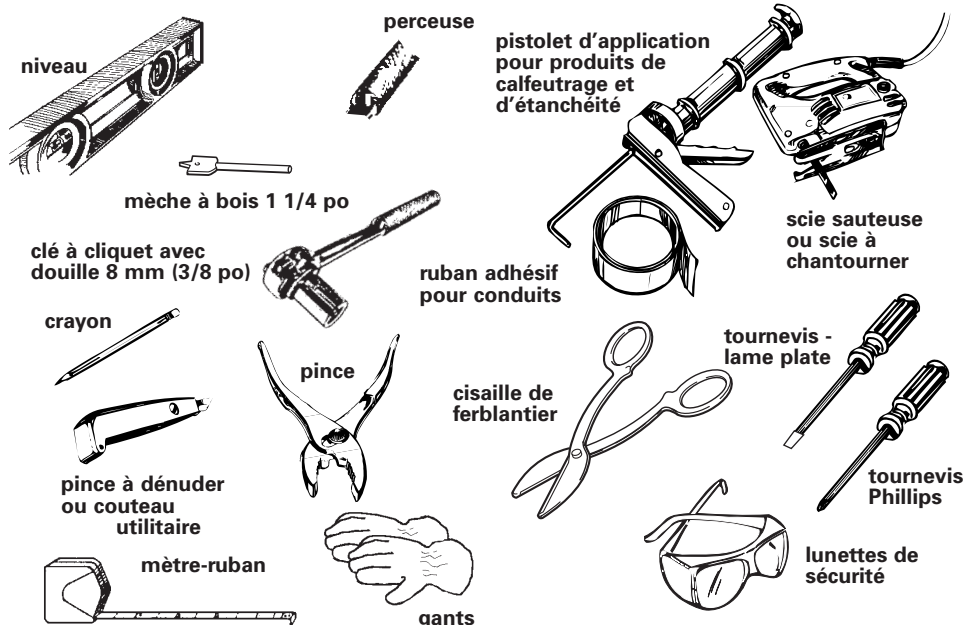
## Pièces fournies pour l'installation :

- 2 vis
- volet de réglage
- couvercle de plastique (utilisation avec panneau frontal personnalisé)

## Pièces nécessaires pour l'installation :

- cales de remplissage en bois pour placard avec fond en retrait (étape 5, page 5)
- 2 cales de bois de 25,4 x 25,4 x 127 mm (1 x 1 x 5 po) - option - (étape 10, page 6)
- 2 connecteurs de conduit 12,7 mm (1/2 po) - homologation U.L. ou ACNOR
- 1 bouche de décharge murale, pour moteur monté à l'intérieur
- conduit d'évacuation métallique
- 4 vis à bois - 31,8 mm (1 1/4 po)
- câble d'alimentation

## Outillage nécessaire pour l'installation :





# Alimentation électrique

Important : Respecter les prescriptions de tous les codes et règlements en vigueur.

C'est au client qu'incombe la responsabilité de :

- Contacter un électricien qualifié pour l'installation.
- Veiller à ce que l'installation électrique soit réalisée d'une manière adéquate et en conformité avec les prescriptions du Code national des installations électriques ANSI/NFPA 70 - dernière édition\*, ou des normes ACNOR C22.194 / Code canadien des installations électriques (partie 1) et C22.2 N° 0-M91 - dernière édition\*\*, et avec les prescriptions de tous les codes et règlements locaux en vigueur.

Si un conducteur distinct de liaison à la terre est utilisé lorsque le code le permet, on recommande qu'un électricien qualifié vérifie que la liaison à la terre est adéquate.

Ne pas utiliser une tuyauterie de gaz pour la liaison à la terre.

En cas d'incertitude quant à la qualité de la liaison à la terre de la hotte, consulter un électricien qualifié.

Ne pas installer un fusible en série avec le conducteur neutre ou le conducteur de liaison à la terre.

**IMPORTANT :**

Conserver les instructions d'installation à l'intention de l'inspecteur local des installations électriques.

**A.** La hotte d'aspiration doit être alimentée par un circuit électrique 120 volts, 60 Hz, CA seulement, protégé par un fusible de 15 A. On recommande l'emploi d'un fusible ou disjoncteur temporisé. On recommande que l'appareil soit alimenté par un circuit indépendant.

**B.** LA HOTTE D'ASPIRATION DOIT ÊTRE RACCORDÉE UNIQUEMENT AVEC DES CONDUCTEURS DE CUIVRE.

**C.** Le calibre des conducteurs et les connexions doivent satisfaire les prescriptions du Code national des installations électriques ANSI/NFPA 70 - dernière édition\*, ou des normes ACNOR C22.194 / Code canadien des installations électriques (partie 1) et C22.2 N° 0-M91 - dernière édition\*\*, et les prescriptions de tous les codes et règlements locaux en vigueur.

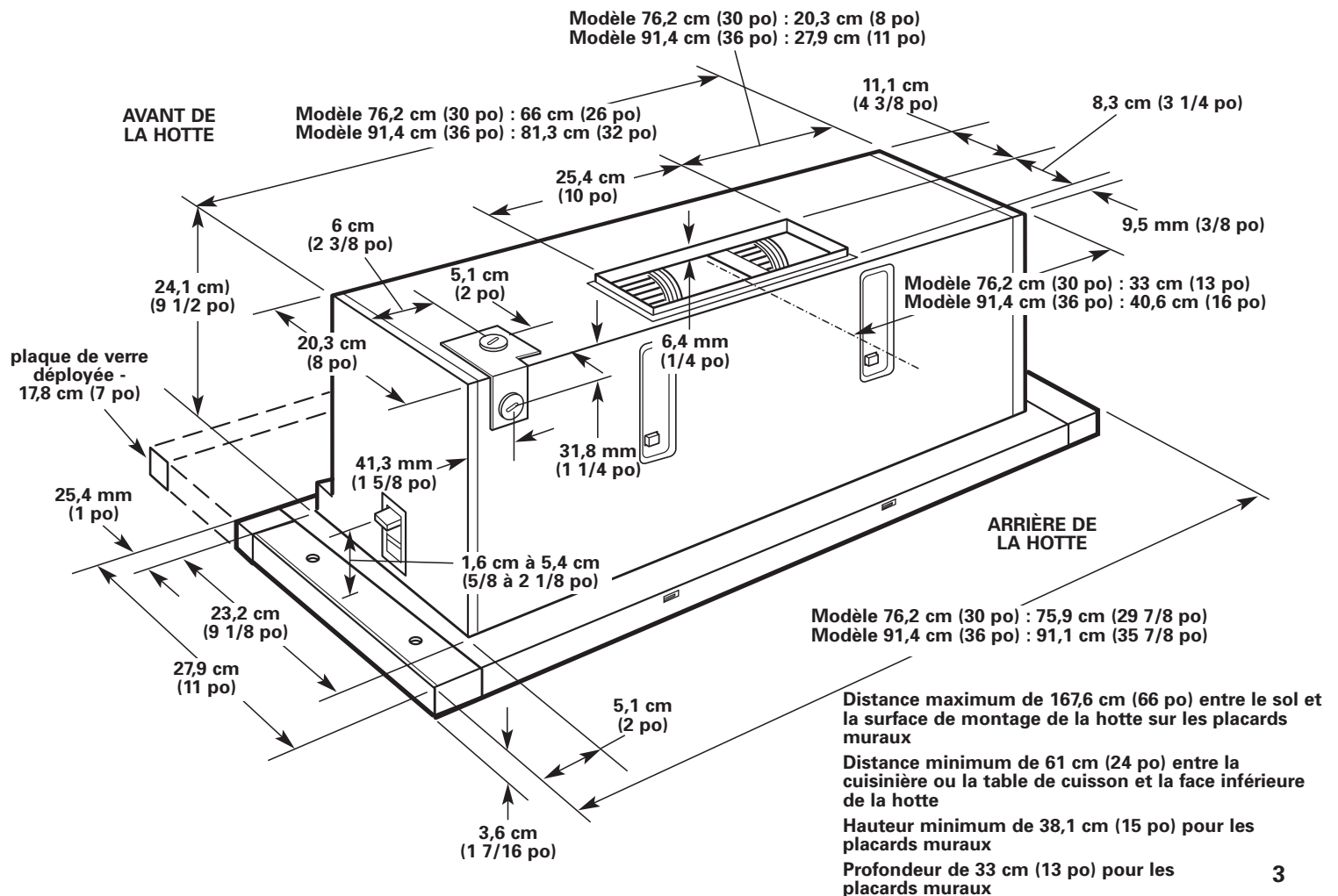
**D.** Un connecteur de conduit de 12,7 mm (1/2 po) (homologation UL ou ACNOR) doit être installé à chaque extrémité du câble d'alimentation (sur la table de cuisson et sur la boîte de connexion).

On peut obtenir aux adresses suivantes des exemplaires des normes mentionnées :

\* National Fire Protection Association  
Batterymarch Park  
Quincy, Massachusetts 02269

\*\* CSA International  
8501 East Pleasant Valley Road  
Cleveland, Ohio 44131-5575

## Dimensions du produit



# Circuit de décharge de l'air

Le système (installation sans recyclage) doit décharger l'air à l'extérieur.

Ne pas terminer le conduit d'évacuation au-dessus d'un plafond ou dans un autre espace fermé.

Ne pas utiliser une bouche de décharge murale de 10,2 cm (4 po) normalement utilisée pour un équipement de buanderie.

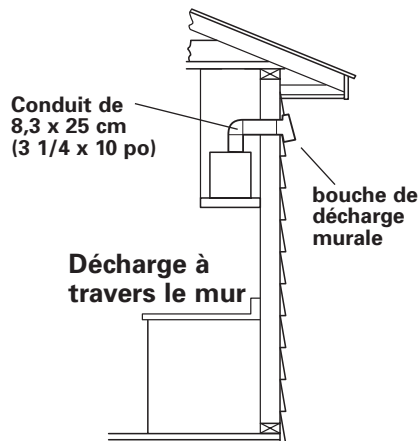
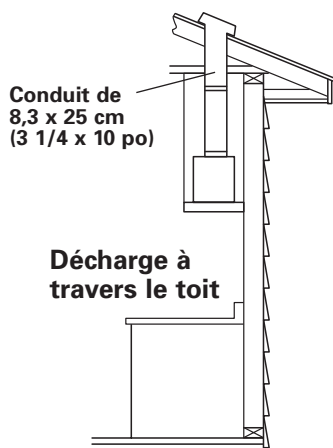
Utiliser uniquement du conduit métallique. On recommande l'emploi de conduit métallique rigide. Ne pas utiliser des conduits de plastique ou de métal flexible.

- La taille du conduit d'évacuation doit être uniforme.
- Ne pas utiliser plus de trois coudes à 90°.
- S'il est nécessaire d'installer plusieurs coudes, ceux-ci devront être séparés par une section rectiligne d'au moins 61 cm (24 po).
- Ne pas raccorder deux coudes ensemble.
- Pour maximiser l'efficacité, minimiser la longueur effective totale du système de décharge et le nombre de coudes.
- Le système de décharge doit comporter un volet de réglage. Si la bouche de décharge (sur le toit ou travers le mur) comporte un volet de réglage, ne pas utiliser le volet de réglage fourni avec la hotte.
- Au niveau de chaque jointure du système de décharge, assurer l'étanchéité avec du ruban adhésif pour conduit.
- Autour de la bouche de décharge à l'extérieur, assurer l'étanchéité avec un produit de calfeutrage.

Déterminer la méthode d'évacuation de l'air la plus appropriée pour l'application, et exécuter les étapes de l'installation.

## Méthodes d'évacuation

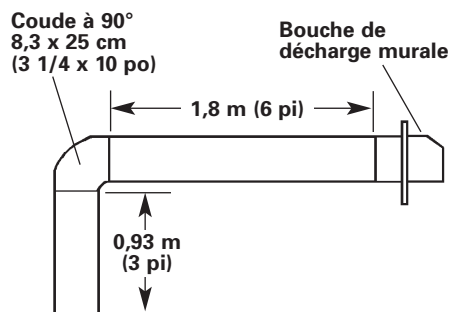
Les composants nécessaires pour la réalisation du circuit d'évacuation de l'air ne sont pas fournis. On recommande l'emploi de conduit rectangulaire de 8,3 x 25 cm (3 1/4 x 10 po).



### Longueur recommandée pour le conduit d'évacuation

Réaliser un circuit d'évacuation en conduit rectangulaire de 8,3 x 25 cm (3 1/4 x 10 po), d'une longueur effective maximum de 8 m (26 pi). Pour obtenir la meilleure performance, ne pas inclure plus de trois coudes (90°). Pour calculer la longueur effective du circuit, on doit tenir compte de la longueur effective de chaque composant du circuit. Voir les exemples suivants.

#### Conduit de 8,3 x 25 cm (3 1/4 x 10 po)

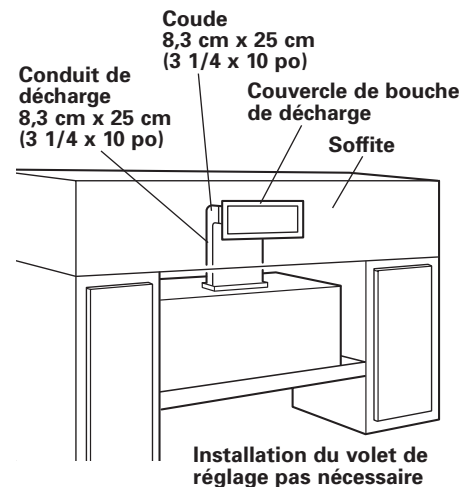


Longueur maximum	=	8 m (26 pi)
1 - coude à 90°	=	1,5 m (5 pi)
Section droite 2,8 m (9 pi)	=	2,8 m (9 pi)
1 - bouche de décharge murale	=	0 m (0 pi)
Longueur effective de conduit de 8,3 x 25 cm (3 1/4 x 10 po)	=	4,3 m (14 pi)

## Raccords standard recommandés

Coude à 90° 8,3 cm x 25 cm (3 1/4 x 10 po) 1,5 m (5 pi)	
Coude plat 8,3 cm x 25 cm (3 1/4 x 10 po) 3,7 m (12 pi)	
Bouche de décharge murale 8,3 cm x 25 cm (3 1/4 x 10 po) 0 m (0 pi)	

## Décharge dans la pièce (recyclage) à travers le soffite

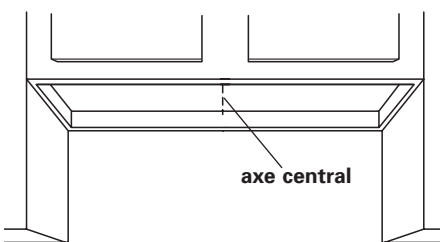


Cette hotte d'aspiration est configurée à l'usine pour la décharge à travers le toit ou un mur. Pour une installation sans évacuation de l'air à l'extérieur (recyclage), l'ensemble de pièces N° 883140 est disponible chez les revendeurs ou distributeurs de pièces agréés.

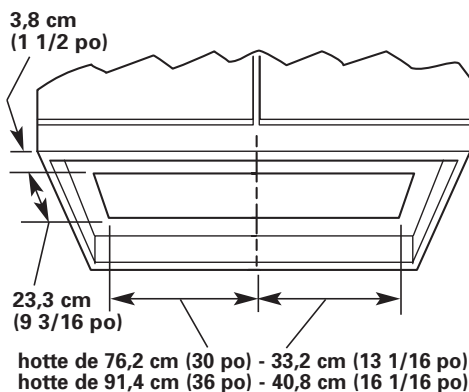
# Étapes de l'installation

**1.** Si possible, débrancher et déplacer prudemment la cuisinière autonome hors de son espace d'encastrement entre les placards, pour accéder plus facilement au mur à l'arrière et aux placards muraux. Placer un épais matériau de protection sur la table de cuisson, sur la cuisinière ou sur le plan de travail, comme protection contre des dommages ou la poussière.

**2.** Déterminer quelle méthode de décharge de l'air sera utilisée (à travers le toit, à travers le mur, ou recyclage).



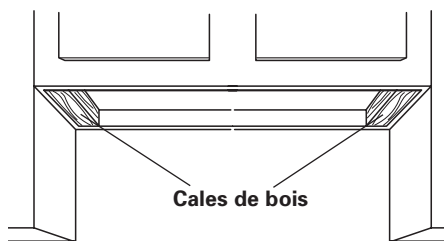
**3.** Déterminer la position de l'axe central de la hotte et tracer clairement l'axe sur la surface inférieure du placard.



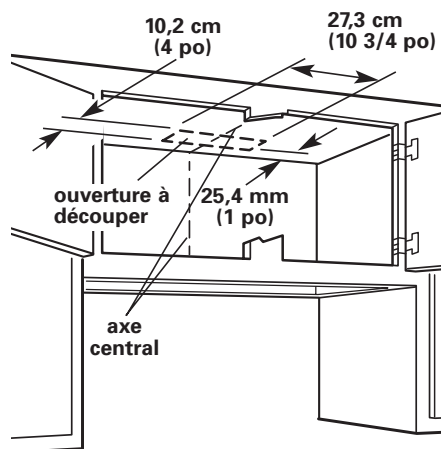
Les dimensions finales de l'ouverture à découper sont les suivantes :

hotte de 76,2 cm (30 po) :  
23,3 x 66,4 cm (9 13/16 x 26 1/8 po)  
hotte de 91,4 cm (36 po) :  
23,3 x 81,6 cm (9 13/16 x 32 1/8 po)

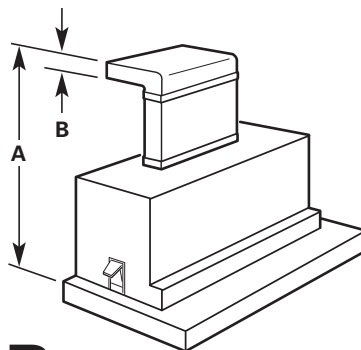
**4.** Mesurer les distances appropriées et tracer les lignes indiquées, selon la taille de la hotte à installer. Utiliser une scie sauteuse ou une scie à chantourner pour découper l'ouverture dans la face inférieure du placard.



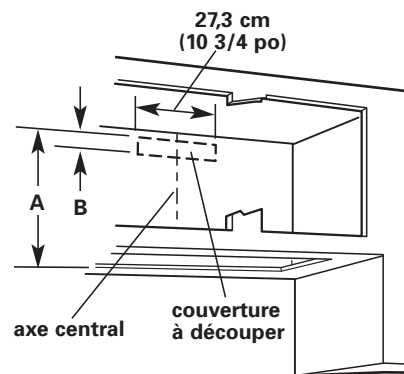
**5.** Si le fond du placard est en retrait au-dessus du cadre de support, on doit installer des cales de bois à gauche et à droite de l'ouverture découpée; ceci ménagera l'espace nécessaire pour la plaque de verre coulissante. Les cales de bois doivent être en affleurement avec le cadre de support du placard, ou en retrait de 1,6 - 3,2 mm (1/16 - 1/8 po).



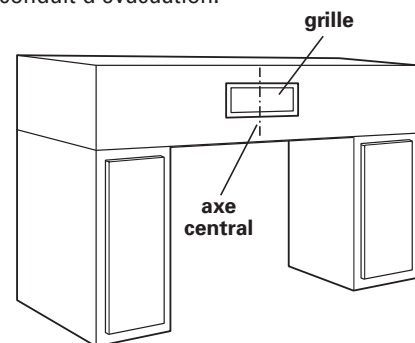
**6A.** Pour la décharge de l'air à l'extérieur à travers le toit par un conduit rectangulaire de 8,3 x 25 cm (3 1/4 x 10 po), mesurer les distances appropriées et tracer les lignes indiquées. Utiliser une scie sauteuse ou une scie à chantourner pour découper l'ouverture rectangulaire de passage du conduit.



**6B.** Pour la décharge de l'air à l'extérieur à travers le mur par un conduit rectangulaire de 8,3 x 25 cm (3 1/4 x 10 po), assembler le conduit d'évacuation à utiliser, qui sera raccordé à la hotte. Ne pas déjà raccorder le conduit à la hotte. Mesurer la distance appropriée entre le sommet du logement de la plaque de verre et le sommet de l'ouverture de décharge (dim. «A»), et la largeur hors-tout de l'ouverture de décharge (dim. «B»). Ôter le conduit.



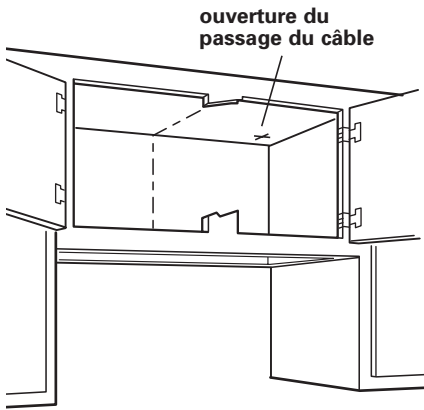
Reporter les dimensions «A» et «B» sur la paroi arrière du placard. Mesurer la dimension depuis la face inférieure du placard ou des cales de bois (le cas échéant). Tracer le périmètre de l'ouverture à découper comme sur l'illustration. Utiliser une scie sauteuse ou une scie à chantourner pour découper l'ouverture rectangulaire de passage du conduit d'évacuation.



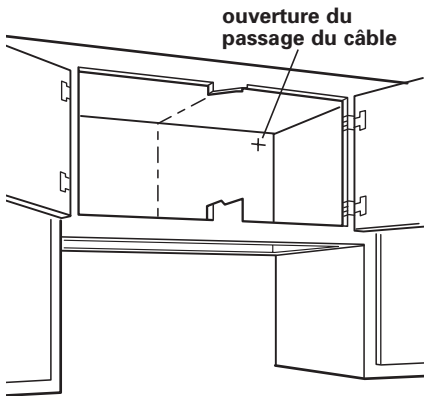
**6C.** Pour la décharge de l'air à l'intérieur de la pièce, à travers le soffite, par un conduit rectangulaire de 8,3 x 25 cm (3 1/4 x 10 po), mesurer les dimensions appropriées et tracer le périmètre de l'ouverture rectangulaire à découper dans le soffite, selon la méthode décrite à l'étape 6B. Mesurer les dimensions et tracer le même axe central sur le soffite au-dessus de l'emplacement de la hotte. Pour tracer le périmètre de l'ouverture à découper, utiliser la grille de la bouche de décharge comme un gabarit. Utiliser une scie sauteuse ou une scie à chantourner pour découper l'ouverture rectangulaire qui permettra l'installation de la bouche de décharge. On peut décharger l'air à l'intérieur de la pièce à travers le sommet du placard. **Ne pas terminer le conduit de décharge dans un espace fermé.**

On doit utiliser l'ensemble de pièces n° 883140, pour décharge dans la pièce avec recyclage.

**7.** Installer le circuit d'évacuation, selon la méthode de décharge choisie. Calfeutrer les jointures au point de traversée du mur ou du toit.

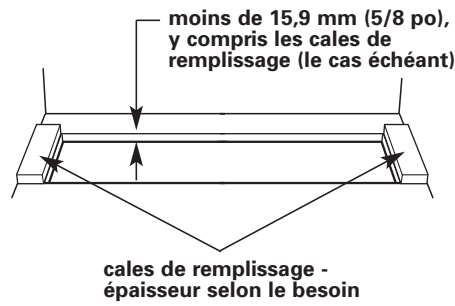


**8.** Pour raccorder le câblage au niveau de l'opercule arrachable supérieur, mesurer les distances appropriées et tracer une ligne à 27 cm (10 5/8 po) [pour la hotte de 76,2 cm (30 po)] ou à 29,5 cm (11 5/8 po) [pour la hotte de 91,4 cm (36 po)] à droite de l'axe central, sur le plafond du placard. Sur cette ligne, marquer un point à 10,2 cm (4 po) de la paroi arrière du placard. Percer un trou de 3,2 cm (1 1/4 po) dans le plafond du placard.

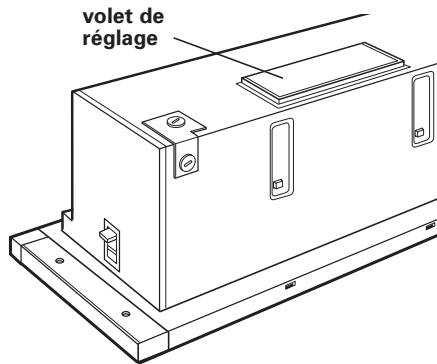


Pour raccorder le câblage au niveau de l'opercule arrachable arrière, mesurer les distances appropriées et tracer une ligne à 29,8 cm (11 3/8 po) [pour la hotte de 76,2 cm (30 po)] ou à 36,5 cm (14 3/8 po) [pour la hotte de 91,4 cm (36 po)] à droite de l'axe central, sur la paroi arrière du placard. Sur cette ligne, marquer un point à 21 cm (8 1/4 po) du fond du placard. Percer un trou de 3,2 cm (1 1/4 po) à travers la paroi.

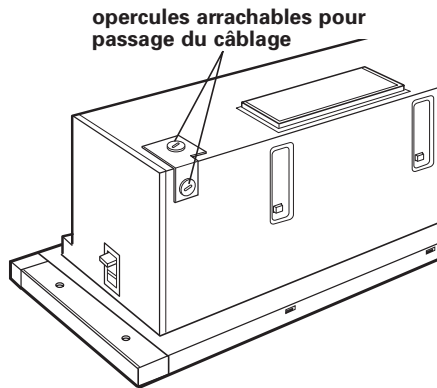
**9.** Acheminer le câble d'alimentation à travers la paroi arrière ou le plafond du placard conformément aux prescriptions du Code national des installations électriques et de tous les codes et règlements locaux en vigueur. **Ne pas raccorder ce câble au réseau avant d'avoir terminé l'installation.** Calfeutrer l'espace résiduel autour du câble dans l'ouverture du passage.



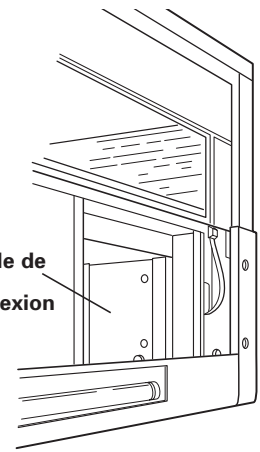
**10.** Mesurer l'épaisseur du plancher du placard (ceci incluant les cales de remplissage le cas échéant). Si l'épaisseur est inférieure à 15,9 mm (5/8 po), installer des cales de bois [longueur 12,7 cm (5 po) min.] sur le plancher du placard. La bride de montage est ajustable entre 15,9 mm (5/8 po) et 54 mm (2 1/8 po) selon l'épaisseur des cales de bois.



**11.** Retirer la hotte de son emballage. Fixer le volet de réglage sur l'ouverture de décharge. Si la bouche de décharge sur le toit comporte un volet de réglage, ne pas installer le volet de réglage sur la hotte.



**12.** Arracher l'opercule de l'ouverture à utiliser pour le passage du câble (au sommet ou à l'arrière).

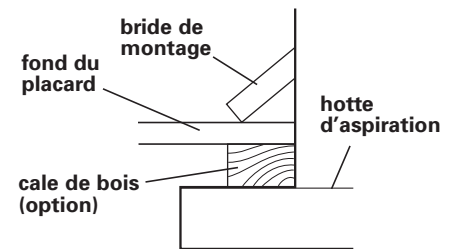


**13.** Placer la hotte en appui sur sa face arrière, sur une surface protégée. Faire glisser la plaque de verre vers l'avant. Tirer sur les onglets pour retirer les filtres. Ôter le couvercle de la boîte de connexion. Ramener la plaque de verre à sa position initiale. Faire glisser les brides de montage jusqu'à la position supérieure.

Note : Pour certaines installations avec décharge de l'air dans la pièce (recyclage), il peut être nécessaire de fixer le circuit d'évacuation à la hotte avant de soulever la hotte jusqu'à sa position finale. Assurer l'étanchéité des jointures avec du ruban adhésif pour conduit.

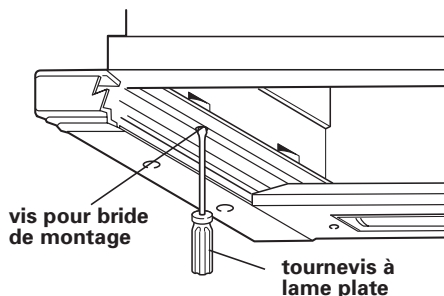
## ⚠️ AVERTISSEMENT

**Danger - Poids excessif**  
**Deux personnes ou plus doivent participer aux opérations de manipulation de la hotte.**  
**Le non-respect de cette instruction peut provoquer des blessures du dos ou autres blessures.**

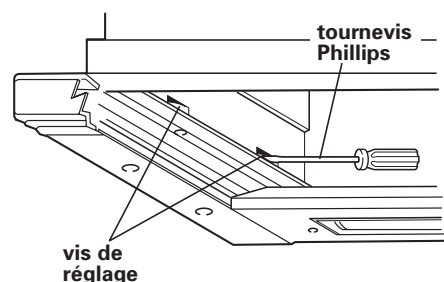


**14.** Soulever la hotte jusqu'à sa position finale et introduire le câble électrique dans l'ouverture de passage. Les brides de montage doivent être en chevauchement avec le fond du placard ou les cales de bois. Centrer la hotte.

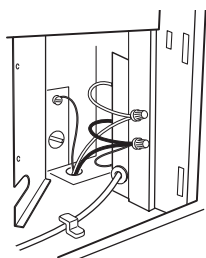




**15.** Vérifier que le panneau avant est parallèle à l'avant du placard lorsque la plaque de verre est rétractée. Faire glisser la plaque de verre vers l'avant. Serrer les vis des brides de montage pour que la hotte soit bien fixée au placard.



**16.** Aligner le panneau avant de la hotte avec le placard : Faire glisser la plaque de verre vers l'avant. Placer deux vis de chaque côté; desserrer les vis (rotation dans le sens antihoraire). Ajuster la position de l'avant de la hotte, [verticalement 9,5 mm (3/8 po) vers le haut ou vers le bas, ou horizontalement 19 mm (3/4 po) avant/arrière] pour placer le panneau avant en affleurement avec le placard. Serrer les vis. **Ne pas** effectuer l'ajustement au-delà des plages dimensionnelles indiquées.



**17.** Raccorder le conducteur blanc du câble d'alimentation et le conducteur blanc de la hotte, avec un connecteur de fils. Raccorder le conducteur noir du câble d'alimentation et le conducteur noir de la hotte, avec un connecteur de fils.

**⚠ AVERTISSEMENT**

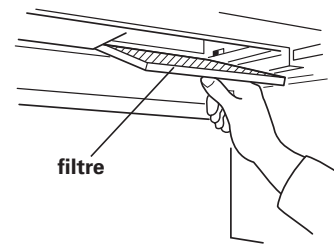
**Risque de choc électrique**

**Interrompre l'alimentation électrique avant d'effectuer des raccordements.**

**Connecter le conducteur de liaison à la terre avec la vis verte dans la boîte de connexion.**

**Le non-respect de ces instructions peut provoquer un choc électrique ou un accident mortel.**

À l'intérieur de la boîte de connexion de la hotte, connecter le conducteur de liaison à la terre du câble d'alimentation sur la vis verte de liaison à la terre. Réinstaller le couvercle de la boîte de connexion.



**18.** Pour une installation avec décharge à l'extérieur : Réinstaller les filtres métalliques. Connecter le conduit d'évacuation sur l'ouverture de décharge de la hotte. Assurer l'étanchéité des jointures avec du ruban adhésif pour conduit.

Pour une installation avec décharge dans la pièce (recyclage) : Connecter le conduit d'évacuation sur l'ouverture de décharge de la hotte. Assurer l'étanchéité des jointures avec du ruban adhésif pour conduit. Exécuter les instructions fournies avec l'ensemble de pièces n° 883140.

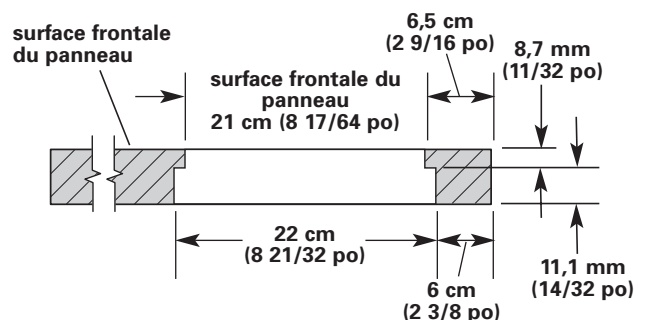
**19.** Alimenter le circuit électrique. Faire glisser la plaque de verre vers l'avant. Vérifier le bon fonctionnement du ventilateur de la hotte et de la lampe. Ramener la plaque de verre à la position de fermeture.

## Panneau avant personnalisé

Il est possible d'enlever le panneau avant de la hotte pour l'installation d'un panneau décoratif personnalisé, assorti au décor de la cuisine.

### Pour modèles des séries KWVU et YKWVU :

On recommande qu'un ébéniste effectue le découpage du panneau avant personnalisé, du fait de la précision dimensionnelle nécessaire au niveau du tableau de commande électronique.

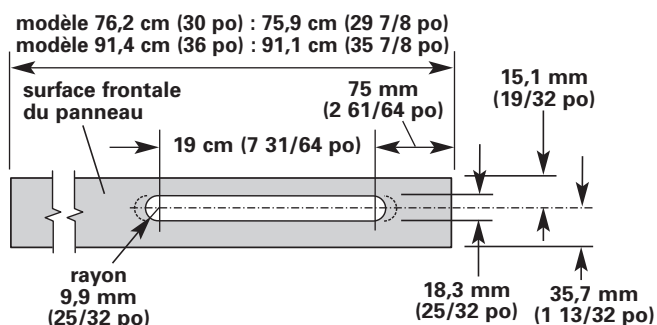


Vue en coupe de l'ouverture à découper pour le tableau de commande

1. Découper l'ouverture nécessaire dans le panneau avant; utiliser les dimensions appropriées indiquées pour la hotte de 76,2 cm (30 po) ou de 91,4 cm (36 po).

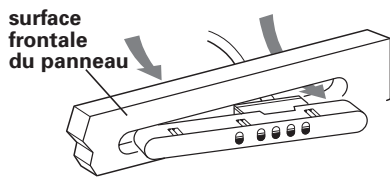
2. Enlever les trois vis transversales situées derrière le panneau de garniture frontale dans le cadre de la plaque de verre. Séparer le panneau frontal du cadre de la plaque de verre.

3. Extraire le tableau de commande de l'avant du panneau de garniture.

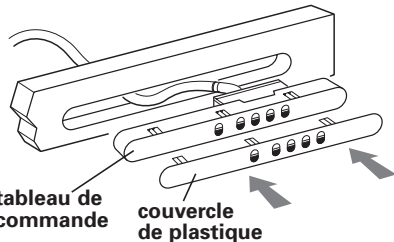


Vue de face de l'ouverture à découper pour le tableau de commande

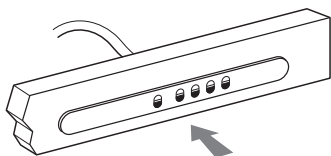




4. Insérer le tableau de commande à travers l'ouverture du panneau avant personnalisé.



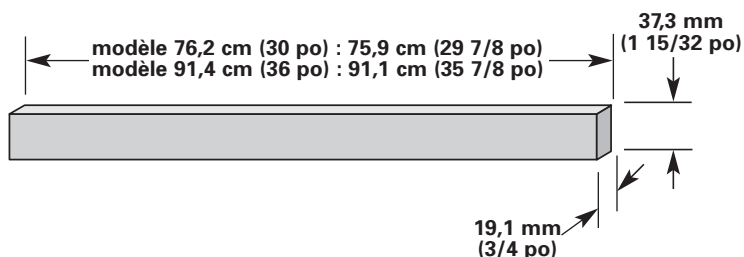
5. Fixer le couvercle de plastique sur le tableau de commande; effectuer l'emboîtement.



6. Appuyer pour insérer le tableau de commande dans l'ouverture découpée; effectuer l'emboîtement.

7. Fixer le panneau avant personnalisé au cadre de la plaque de verre, avec les trois vis transversales.

## Pour modèles des séries GZ et YGZ :



1. Découper l'ouverture nécessaire dans le panneau avant; utiliser les dimensions appropriées indiquées pour la hotte de 76,2 cm (30 po) ou de 91,4 cm (36 po).
2. Enlever les trois vis transversales situées derrière le panneau de garniture frontale dans le cadre de la plaque de verre. Séparer le panneau frontal du cadre de la plaque de verre.
3. Enlever le panneau de garniture.
4. Fixer le panneau avant personnalisé au cadre de la plaque de verre, avec les trois vis transversales.

**Pour obtenir la plus grande efficacité de la hotte d'aspiration, lire ci-dessous la section Information d'utilisation et entretien. Conserver les instructions d'installation et l'information d'utilisation et entretien en lieu sûr pour consultation.**

# Information d'utilisation et entretien

**Pour modèles des séries GZ et YGZ : AVERTISSEMENT -** Pour réduire le risque d'incendie ou de choc électrique, ne pas utiliser ce ventilateur en conjonction avec un dispositif de réglage de la vitesse à semi-conducteurs.

**Pour modèles des séries KWVU et YKWVU :** Ce ventilateur peut être utilisé avec les commandes de vitesse à circuits intégrés.

**AVERTISSEMENT - POUR MINIMISER LE RISQUE D'INCENDIE, CHOC ÉLECTRIQUE OU DOMMAGES CORPORELS, RESPECTER LES INSTRUCTIONS SUIVANTES :**

Utiliser cet appareil uniquement dans les applications envisagées par le fabricant. Pour toute question, contacter le fabricant. Avant d'entreprendre un travail d'entretien ou de nettoyage, interrompre l'alimentation de la hotte au niveau du tableau de disjoncteurs, et verrouiller le tableau de disjoncteurs pour empêcher tout rétablissement accidentel de l'alimentation du circuit. Lorsqu'il n'est pas possible de verrouiller le tableau de disjoncteurs ou le dispositif d'interruption de l'alimentation, placer sur le tableau de disjoncteurs une étiquette d'avertissement proéminente interdisant le rétablissement de l'alimentation.

**MISE EN GARDE :** Cet appareil est conçu uniquement pour la ventilation générale. Ne pas l'utiliser pour l'extraction de matières ou vapeurs dangereuses ou explosives.

**AVERTISSEMENT - POUR MINIMISER LE RISQUE D'UN FEU DE GRAISSE SUR LA TABLE DE CUISSON :**

Ne jamais laisser un élément de la table de cuisson fonctionner sans surveillance à la puissance de chauffage maximale; un renversement/débordement de matière grasseuse pourrait provoquer une inflammation et la génération de fumée.

Utiliser toujours une puissance de chauffage moyenne ou basse pour le chauffage d'huile.

Veiller à toujours faire fonctionner le ventilateur de la hotte lors d'une cuisson avec une puissance de chauffage élevée ou lors de la cuisson d'un mets à flamber.

Nettoyer fréquemment les ventilateurs d'extraction. Veiller à ne pas laisser de la graisse s'accumuler sur les surfaces du ventilateur ou des filtres.

Utiliser toujours un ustensile de taille appropriée. Utiliser toujours un ustensile de taille adapté à la taille de l'élément chauffant.

**AVERTISSEMENT - POUR RÉDUIRE LE RISQUE DE DOMMAGES CORPORELS**

**APRÈS LE DÉCLENCHEMENT D'UN FEU DE GRAISSE SUR LA CUISINIÈRE, APPLIQUER LES RECOMMANDATIONS SUIVANTES :**

Placer sur le récipient un couvercle bien ajusté, une tôle à biscuits ou un plateau métallique **POUR ÉTOUFFER LES FLAMMES**, puis éteindre le brûleur. **VEILLER À ÉVITER LES BRÛLURES.** Si les flammes ne s'éteignent pas immédiatement, **ÉVACUER LA PIÈCE ET CONTACTER LES POMPIERS. NE JAMAIS PRENDRE EN MAIN UN RÉCIPENT ENFLAMMÉ** - le risque de brûlure est élevé.

**NE PAS UTILISER D'EAU** ni un torchon humide - ceci pourrait provoquer une explosion de vapeur brûlante. Utiliser un extincteur **SEULEMENT** si :

Il s'agit d'un extincteur de classe ABC, dont on connaît le fonctionnement.

Il s'agit d'un petit feu encore limité à l'endroit où il s'est déclaré.

Les pompiers ont été contactés.

Il est possible de garder le dos orienté vers une sortie pendant l'opération de lutte contre le feu.

## Surfaces extérieures

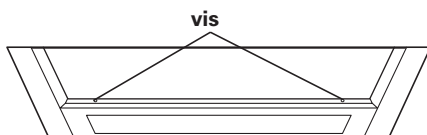
Nettoyer la hotte avec un détergent doux et un chiffon doux. Ne pas utiliser un produit de nettoyage abrasif ou un tampon de laine d'acier.

## Filtres

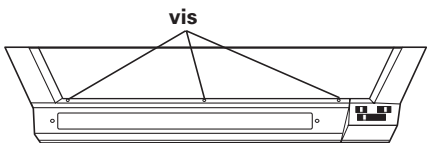
Pour obtenir les meilleurs résultats, nettoyer fréquemment les filtres. Tirer les onglets vers le bas pour retirer les filtres. Nettoyer les filtres au lave-vaisselle ou dans de l'eau chaude savonneuse.

## Remplacement de la lampe

Modèles des séries KVVU et YKVVU :



Modèles des séries GZ et YGZ :

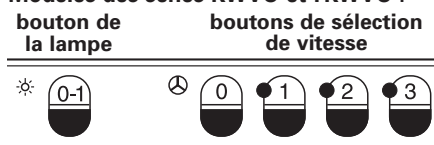


1. Ôter les vis au-dessus du couvercle de la lampe; conserver les vis.
2. Tirer le couvercle de la lampe légèrement vers l'avant puis vers le bas, pour retirer le couvercle.
3. Remplacer la lampe. Utiliser une lampe fluorescente de 15 watts pour le modèle de 76,2 cm (30 po) ou de 18 watts pour le modèle de 91,4 cm (36 po).
4. Remettre le couvercle en place. Réinstaller les vis.

## Utilisation de la hotte

Pour obtenir les meilleurs résultats, mettre le ventilateur d'aspiration en marche dès le début d'une période de cuisson, et laisser le ventilateur fonctionner jusqu'à l'élimination totale de toute fumée ou odeur.

Modèles des séries KVVU et YKVVU :



## Mise en marche du ventilateur :

Faire glisser la plaque de verre vers l'avant. Appuyer sur le bouton approprié pour faire fonctionner le ventilateur à la vitesse désirée. On peut arrêter le ventilateur ou augmenter/diminuer la vitesse de fonctionnement à tout moment pendant le fonctionnement du ventilateur. Le témoin lumineux près du bouton correspondant à la vitesse sélectionnée doit s'allumer lorsque le ventilateur fonctionne.

## Arrêt du ventilateur :

Appuyer sur le bouton «0», ou ramener la plaque de verre à la position de fermeture. Le ventilateur doit s'arrêter lorsque la plaque de verre est à environ 5,1 cm (2 po) de la position de fermeture. Lorsqu'on écarte la plaque de verre, le ventilateur se remet en marche avec la dernière vitesse sélectionnée.

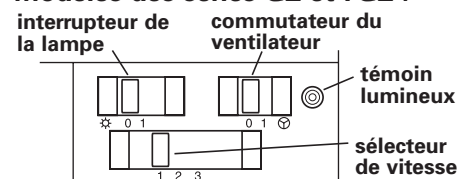
## Allumage de la lampe :

Écarter la plaque de verre d'environ 2,5 cm (1 po). Appuyer sur le bouton de commande de la lampe. La lampe s'allume chaque fois qu'on écarte la plaque de verre. Pour utiliser la lampe de la hotte comme lumière de veille nocturne, il suffit d'écarter la plaque de verre de 2,5 cm (1 po).

## Extinction de la lampe :

Appuyer sur le bouton de commande de la lampe pour obtenir l'extinction. Ou bien ramener la plaque de verre à sa position de fermeture.

## Modèles des séries GZ et YGZ :



## Mise en marche du ventilateur :

Faire glisser la plaque de verre vers l'avant. Placer le commutateur «fan» (ventilateur) à la position «1». Avec le commutateur de sélection de vitesse, sélectionner la vitesse désirée. On peut arrêter le ventilateur ou augmenter/diminuer la vitesse de fonctionnement à tout moment pendant le fonctionnement du ventilateur. Le témoin lumineux doit être illuminé lorsque le ventilateur fonctionne.

## Arrêt du ventilateur :

Ramener le commutateur du ventilateur à la position «0», ou ramener la plaque de verre à la position de fermeture. Le ventilateur doit s'arrêter lorsque la plaque de verre est à environ 5,1 cm (2 po) de la position de fermeture. Lorsqu'on écarte la plaque de verre, le ventilateur se remet en marche avec la dernière vitesse sélectionnée.

## Allumage de la lampe :

Écarter la plaque de verre d'environ 2,5 cm (1 po). Placer l'interrupteur «light» (lampe) à la position «1». La lampe s'allume chaque fois qu'on écarte la plaque de verre. Pour utiliser la lampe de la hotte comme lumière de veille nocturne, il suffit d'écarter la plaque de verre de 2,5 cm (1 po).

## Extinction de la lampe :

Placer l'interrupteur à la position «0» ou ramener la plaque de verre à la position de fermeture.

# Accessoires

disponibles chez les revendeurs

Note : Les instructions nécessaires sont fournies avec chaque ensemble de pièces.

Ensemble de garniture assorti - couleur assortie panneau avant/cuisinière ou table de cuisson

Pour les modèles de 76,2 cm (30 po)  
des séries KVVU205 et YKVVU205 :

- Pièce n° 4360201 (blanc)
- Pièce n° 4360203 (noir)
- Pièce n° 4392855 (biscuit)

Pour les modèles de 91,4 cm (36 po)  
des séries KVVU265 et YKVVU265 :

- Pièce n° 4360202 (blanc)
- Pièce n° 4360204 (noir)
- Pièce n° 4392856 (biscuit)

Pour les modèles de 76,2 cm (30 po)  
des séries GZ7730 et YGZ7730 :

- Pièce n° 4396067 (blanc)
- Pièce n° 4396066 (noir)
- Pièce n° 8171368 (biscuit)

Pour les modèles de 91,4 cm (36 po)  
des séries GZ7736 et YGZ7736 :

- Pièce n° 4396069 (blanc)
- Pièce n° 4396068 (noir)
- Pièce n° 8171369 (biscuit)

Pour hotte à recyclage :

Pièce n° 883140 - pour tous les modèles

# Garantie du système de ventilation

DURÉE DE LA PÉRIODE DE GARANTIE	LA GARANTIE COUVRIRA
GARANTIE COMPLÈTE DE UN AN À compter de la date d'achat	Pièces et main-d'œuvre (sauf lampes et filtres) pour l'élimination d'un vice de matériau ou de fabrication.
<b>LA GARANTIE NE COUVRIRA PAS</b>	
A. Les frais de main-d'œuvre dus au remplacement de pièces défectueuses durant la période de garantie.	
B. Pièces consommables comme lampes et filtres.	
C. Appels de service pour : 1. Rectifier l'installation du système de ventilation. 2. Indiquer à l'utilisateur comment utiliser le système de ventilation. 3. Remplacer des fusibles ou rectifier le câblage électrique du domicile.	
D. Réparations lorsque le système de ventilation est utilisé autrement qu'en service unifamilial normal	
E. Transport du produit. Ce produit est conçu pour être réparé sur place.	
F. Détérioration du système de ventilation imputable à accident, mésusage, incendie, inondation, catastrophe naturelle ou utilisation de produits non approuvés par Whirlpool.	
G. Réparations de pièces ou systèmes à la suite de modifications non autorisées effectuées sur l'appareil.	
H. Coût de pièces de rechange ou de main-d'œuvre de réparation pour des appareils utilisés en dehors des États-Unis ou du Canada.	
I. Au Canada, frais de déplacement ou de transport pour les clients qui résident dans des régions éloignées.	

**WHIRLPOOL, INGLIS LIMITÉE, KITCHENAID® ET KITCHENAID CANADA NE SONT PAS RESPONSABLES POUR LES DOMMAGES FORTUITS OU INDIRECTS.** Certains États ou certaines provinces ne permettent pas l'exclusion ou la limitation des dommages fortuits ou indirects de sorte que cette exclusion ou limitation peut ne pas s'appliquer dans votre cas.

**Cette garantie vous confère des droits juridiques spécifiques et vous pouvez également avoir d'autres droits, variables d'un État à l'autre ou d'une province à l'autre.**

**À l'extérieur du Canada et des États-Unis, une garantie différente peut s'appliquer. Pour des détails, veuillez contacter votre marchand autorisé.**

# Demande d'assistance ou de service au Canada

Composez le numéro sans frais suivant : 1-800-422-1230, de 8 h 30 à 18 h 00 (HNE). Ou contactez la succursale de service pour appareils ménagers Inglis Limitée ou KitchenAid Canada ou la compagnie de service désignée la plus proche (voir la liste à droite) pour faire réparer votre appareil.



Lorsque vous appelez, veuillez fournir une description précise du problème, les numéros au complet de modèle et de série de votre appareil et la date d'achat. Ces renseignements nous aideront à mieux répondre à votre demande.

## Succursales de service direct :

<b>COLOMBIE-BRITANNIQUE</b>		1-800-665-6788
<b>ALBERTA</b>		1-800-661-6291
<b>ONTARIO</b>	Région d'Ottawa	1-800-267-3456
(à l'exception de l'indicatif régional 807)	En dehors de la région d'Ottawa	1-800-807-6777
<b>MANITOBA, SASKATCHEWAN</b>		1-800-665-1683
<b>Et l'indicatif régional 807 en ONTARIO</b>		
<b>QUÉBEC</b>	Montréal (à l'exception de la rive sud)	1-800-361-3032
	Rive sud Montréal	1-800-361-0950
	Québec	1-800-463-1523
	Sherbrooke	1-800-567-6966
<b>PROVINCES ATLANTIQUES</b>		1-800-565-1598

## Pour plus d'assistance

Si vous avez besoin de plus d'assistance, vous pouvez soumettre par écrit toute question ou préoccupation à Inglis Limitée ou KitchenAid à l'adresse suivante :

Service des relations avec la clientèle  
1901 Minnesota Court  
Mississauga, Ontario L5N 3A7

Veuillez inclure dans votre correspondance un numéro de téléphone où on peut vous joindre dans la journée.