



Zonline® Air Conditioners

Safety Instructions2

Operating Instructions

Air Direction4
Auxiliary Controls5-8
Controls3
To Remove the Room Cabinet4
Ventilation Control4

Care and Cleaning

Air Filters10
Base Pan9
Outdoor Coils9
Room Cabinet and Case9
Ventilation Filter9

Installation Instructions

Electrical Connection13-16
Installing the Zonline17, 18
Optional Drain Kit19
Preparation11
Replacing an Existing Unit?12

Troubleshooting Tips20, 21

Normal Operating Sounds22

Consumer Support

Consumer SupportBack Cover
Warranty23

**Owner's Manual and
Installation Instructions**

Heat/Cool Model 4100
Heat Pump Model 6100

Español

For a Spanish version of this manual, visit our Website at www.zonline.com/literature.

Para consultar una version en español de este manual de instrucciones, visite nuestro sitio de internet www.zonline.com/literature.

Français

For a French version of this manual, visit our Website at www.zonline.com/literature.

Pour un version français de ce manuel d'utilisation, veuillez visiter notre site web à l'adresse www.zonline.com/literature.

Write the model and serial numbers here:

Model # _____

Serial # _____

Find these numbers on a label behind the room cabinet on the base pan.

IMPORTANT SAFETY INFORMATION. READ ALL INSTRUCTIONS BEFORE USING.

⚠️ WARNING!

For your safety, the information in this manual must be followed to minimize the risk of fire or explosion, electric shock, or to prevent property damage, personal injury, or loss of life.



SAFETY PRECAUTIONS

- This Zonline must be properly installed in accordance with the Installation Instructions before it is used. See the Installation Instructions in the back of this manual.
- Replace immediately all electric service cords that have become frayed or otherwise damaged. A damaged power supply cord must be replaced with a new power supply cord obtained from the manufacturer and not repaired. Do not use a cord that shows cracks or abrasion damage along its length or at either the plug or connector end.
- Unplug or disconnect the Zonline at the fuse box or circuit breaker before making any repairs.
- These R410A air conditioning systems require contractors and technicians to use tools, equipment and safety standards approved for use with this refrigerant. **DO NOT use equipment certified for R22 refrigerant only.**

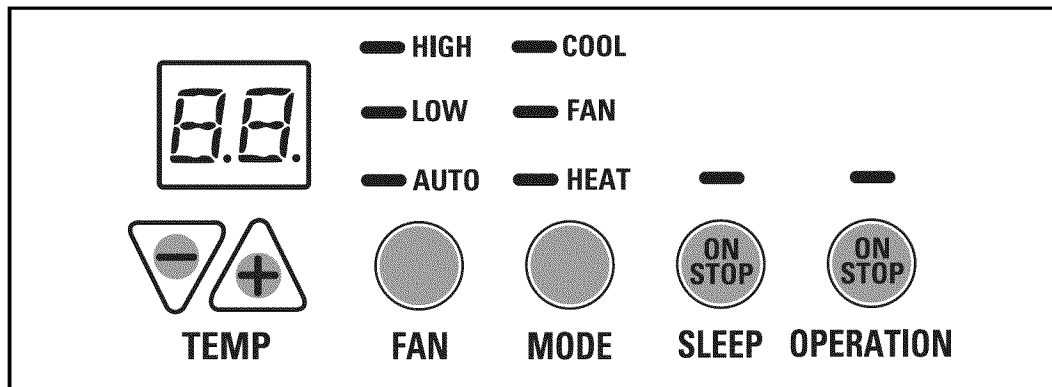
Replacing an existing unit?

For details, see the Installation Instructions in this manual.

NOTE: We strongly recommend that any servicing be performed by a qualified individual.



**READ AND FOLLOW THIS SAFETY INFORMATION CAREFULLY.
SAVE THESE INSTRUCTIONS**



TEMP CONTROL FAN, MODE & SLEEP OPERATION

1

2



Controls

1 Temp Control

The temp control is used to maintain the room temperature. The compressor will cycle on and off to keep the room at the same level of comfort.

Press the ▲ pad to raise the temperature.

Press the ▼ pad to lower the temperature.

NOTE: The display shows the set temperature, not the room temperature.

2 Sleep

Press to set the air conditioner to run for 8 hours before it automatically returns to the previous setting.

When in the cooling mode and the sleep timer is set, the set temperature will automatically increase 2°F after the second hour then 1°F each hour over the next two hours. Also, the fan speed will change to low. When in the heating mode, the set temperature will decrease in the same manner.

To cancel the sleep mode, press the **MODE** pad or the **SLEEP** pad a second time.

2 Fan, Mode and Operation Control

FAN—Sets the fan operation for **HIGH**, **LOW** or **AUTO** speed. When set at **AUTO**, it automatically switches between **LOW** and **HIGH** as room temperature changes.

MODE—COOL—For cooling

FAN—For fan-only operation

HEAT—For heating

OPERATION—ON/STOP—Turns the unit on or off. Power remains connected to the Zoneline. The Freeze/Heat Sentinel features still function if active. See the *Freezer/Heat Sentinel* section on page 6.

NOTE: The temperature display will flash to indicate a possible unit malfunction. Set operation control to **STOP** and then restart the unit. If the flashing light reappears within 30 minutes, call for service.

Quick Heat Recovery

Activates each time the thermostat is switched from **STOP** or **COOL** mode to **HEAT** mode. Electric heaters are energized until the thermostat set point is reached. On heat pump models, the heat pump operation will resume at the next call for heat.

About Your Heat Pump (6100 Series only)

Heat pumps can save money by removing heat from the outside air—even when the outside temperature is below freezing—and releasing that heat indoors.

To get the best performance from your heat pump, don't change the room thermostat very often. Raising the heat setting 2–3 degrees will cause the Zoneline to use its electric heating elements in order to reach the new temperature setting quickly.

There is a 3-minute minimum compressor run time at any setting to prevent short cycling.

The indoor fan motor starts before the compressor and stops after the compressor cycles off.

When the outdoor temperature is lower than 25°F, heat is provided by the electric heater in the air conditioner instead of by the heat pump.

The electric heating elements use much more electricity than heat pumps and cost more to operate.

Other features of your Zoneline.

Ventilation Control

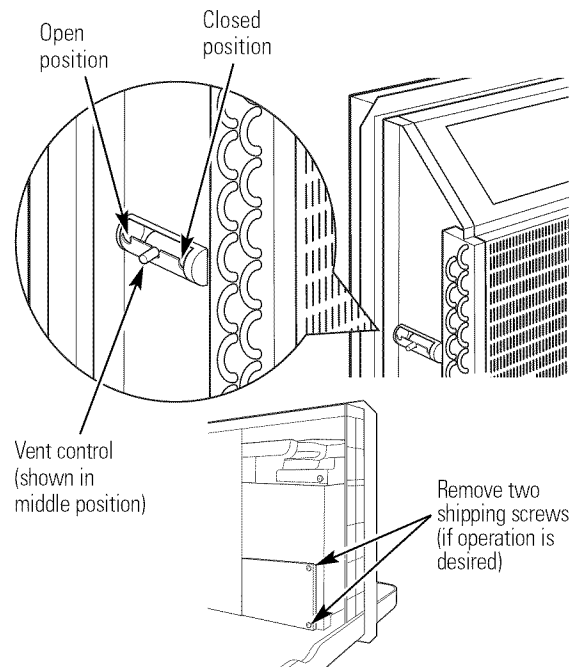
NOTE: Two shipping screws must be removed from the vent door before use. See the Installation Instructions in the back of this manual. If you do not plan to use the ventilation feature, leave these two screws in place.

The ventilation control lever is located at the middle left side of the Zoneline unit, behind the room cabinet.

When set at the closed position, only the air inside the room is circulated and filtered.

When set at the open position, some outdoor air will be drawn into the room. This will reduce the heating or cooling efficiency.

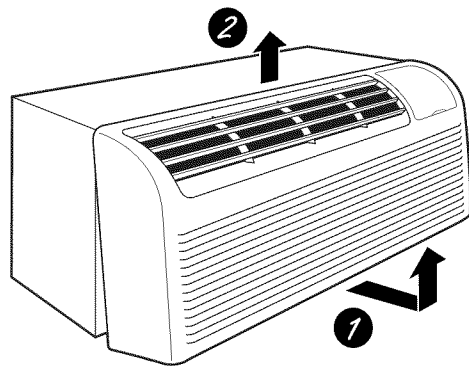
Energy Tip: Keep the vent control in the closed position. The room air will be filtered and circulated.



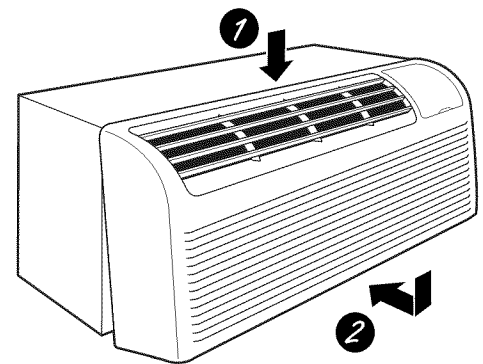
To Remove the Room Cabinet

Additional controls are located behind the room cabinet.

To remove: Pull out at the bottom to release it from the tabs (1). Then lift up (2).

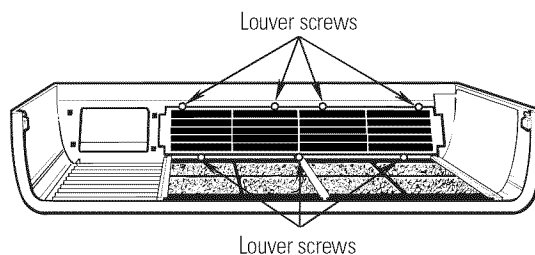


To replace: Place the tabs over the top rail (1). Push inward at the bottom until it snaps into place (2).

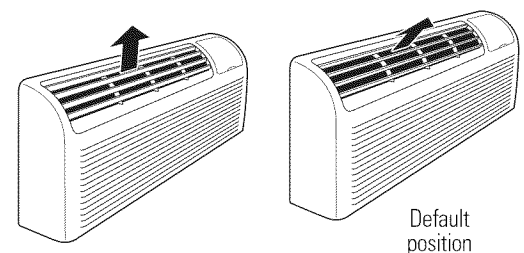


Air Direction

To change the air direction, remove the room cabinet. Remove the 7 louver screws that hold the louver insert in place. Flip the louver insert 180°, replace the screws and the room cabinet.



Remove the room cabinet and flip the louver insert to change the air direction.

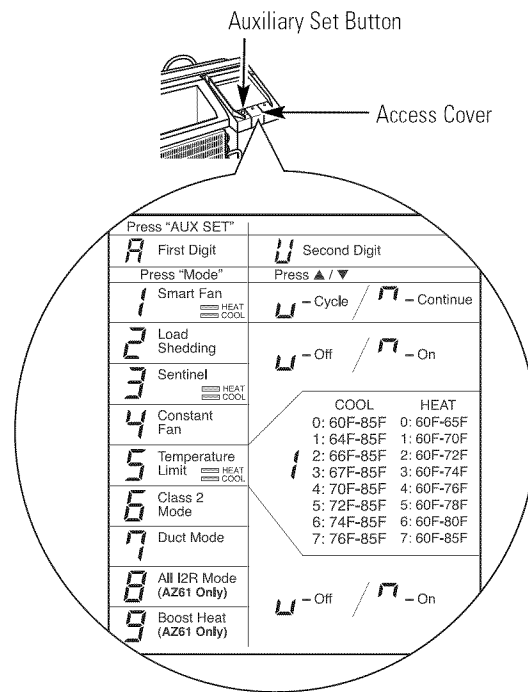


Auxiliary Controls—Aux Set Button

The auxiliary set controls are located behind the room cabinet, below the control panel.

Remove the room cabinet. See the *To Remove the Room Cabinet* section.

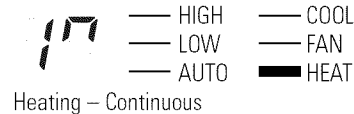
The owner is responsible for ensuring the auxiliary controls are set to the desired function. There are 9 different modes that can be set using the auxiliary set button. To change modes, press **AUX SET** ("AU" appears on the display). Press the mode button on the control pad until the first digit in the display shows the number corresponding to the mode you are choosing and the correct HEAT/COOL LED is lit. Press the up or down arrow (shown in the second digit of the display) to make the mode setting selection where applicable. Press the **AUX SET** button to confirm the selection.



MODE 1 Smart Fan—Cooling/Heating

The default setting for Mode 1 is as follows:
 Cooling: Continuous (ON)
 Heating: Cycle (OFF)

Press **MODE** until a 1 appears in the first digit of the display for **Smart Fan** cool mode. The **COOL** LED light on the main control will be on. To change to heat mode, press **MODE** again. The **HEAT** LED light on the main control will be lit. Press the down arrow to set the indoor fan to cycle on/off when the unit is heating or cooling "U." Press the up arrow to set the indoor fan to run continuously "n." This is shown in the second digit of the display. Press **AUX SET** to confirm your selection and exit **AUX SET** mode, or press **MODE** to continue setting other functions.



MODE 2 Load Shedding (Central Desk Control)

The default setting for Mode 2 is OFF.

This feature is active only if the unit is connected to a CDC and the CDC has control. Press **MODE** until a 2 appears in the first digit of the display for **Load Shedding** mode. Press the down arrow for OFF "U" or the up arrow for ON "n." This is shown in the second digit of the display. When this mode is on, only the indoor fan can be turned ON or OFF with the unit controls. When this mode is off, all operation is disabled except Heat/Freeze Sentinel (Mode 3). Press **AUX SET** to confirm your selection and exit **AUX SET** mode, or press **MODE** to continue setting other functions.



Auxiliary controls on your Zonline.

MODE 3 Freeze Sentinel/Heat Sentinel

In the default setting for Mode 3, **Heat Sentinel** is off, **Freeze Sentinel** is on.


Press **MODE** until a 3 appears in the first digit of the display for **Freeze Sentinel** mode. The **COOL** LED light on the main control will be on. Press **MODE** again to change to the **Heat Sentinel**. The **HEAT** LED light on the main control will be on. Press the down arrow for OFF "⏏" or the up arrow for ON "⏏." This is shown in the second digit of the display. Press **AUX SET** to confirm your selection and exit **AUX SET** mode, or press **MODE** to continue setting other functions.


When **Freeze Sentinel** is activated, it automatically provides heat without user interface. This helps to prevent plumbing damage by turning the heater and indoor fan ON at 41°F and OFF at 46°F.


When **Heat Sentinel** is activated, it automatically provides cooling without user interface. This helps to prevent an excessively hot room by turning the air conditioner ON at 85°F and OFF at 80°F.

NOTE: These functions are active whenever the unit is plugged in, even if the unit is in the STOP position.

 — HIGH — COOL
— LOW — FAN
— AUTO — HEAT
Freeze Sentinel OFF

 — HIGH — COOL
— LOW — FAN
— AUTO — HEAT
Freeze Sentinel ON

 — HIGH — COOL
— LOW — FAN
— AUTO — HEAT
Heat Sentinel OFF

 — HIGH — COOL
— LOW — FAN
— AUTO — HEAT
Heat Sentinel ON

MODE 4 Constant ON Fan

The default setting for Mode 4 is OFF.

Press **MODE** until a 4 appears in the first digit of the display to set the fan to run continuously at high speed, even if the unit is in the STOP position. Press the down arrow for OFF "⏏" or the up arrow for ON "⏏." This is shown in the second digit of the display. Press **AUX SET** to confirm your selection and exit **AUX SET** mode, or press **MODE** to continue setting other functions.

 Constant Fan OFF

 Constant Fan ON

MODE 5 Temperature Limiting

The default setting for Mode 5 is as follows:

Cool: 0 (60°F to 85°F)

Heat: 7 (60°F to 85°F)

Press **MODE** until a 5 appears in the first digit of the display for **Temperature Limiting** cool mode. The **COOL** LED light on the main control will be lit. To change to heat mode, press **MODE** again and the **HEAT** LED light on the main control will be lit. To set the temperature limits, press the up or down arrow keys. The second digit of the display will be between 0 and 7 depending on the limit you want to set. The chart shows the limits available. Press **AUX SET** to confirm your selection and exit **AUX SET** mode, or press **MODE** to continue setting other functions.

Temperature limits—Cool	Temperature limits—Heat
0 = 60°F to 85°F	0 = 60°F to 65°F
1 = 64°F to 85°F	1 = 60°F to 70°F
2 = 66°F to 85°F	2 = 60°F to 72°F
3 = 68°F to 85°F	3 = 60°F to 74°F
4 = 70°F to 85°F	4 = 60°F to 76°F
5 = 72°F to 85°F	5 = 60°F to 78°F
6 = 74°F to 85°F	6 = 60°F to 80°F
7 = 76°F to 85°F	7 = 60°F to 85°F

 — HIGH — COOL
— LOW — FAN
— AUTO — HEAT
Temperature Limiting Cool – Limit 2


 — HIGH — COOL
— LOW — FAN
— AUTO — HEAT
Temperature Limiting Heat – Limit 3

MODE 6 Remote Thermostat – Class 2

The default setting for Mode 6 is OFF.

Setting this mode to ON will allow the unit to operate with a Class 2 Remote Control Wall Thermostat. Press **MODE** until a 6 appears in the first digit of the display for **Class 2** mode. Press the down arrow to turn the option OFF "⏏." Press the up arrow to turn this option ON "⏏." This is shown in the second digit of the display. Press **AUX SET** to confirm your selection and exit **AUX SET** mode, or press **MODE** to continue setting other functions.

 Class 2 OFF

 Class 2 ON

MODE 7 Duct Mode

The default setting for Mode 7 is OFF. This setting is used when the unit is installed using a duct adapter kit. If the unit is ducted, the Duct Mode needs to be set to ON. This increases the fan speed to ensure proper circulation.

Press **MODE** until a 7 appears in the first digit of the display. Press the up or down arrow keys to set this switch to OFF "⏏" or ON "⏏". This is shown in the second digit of the display. Press **AUX SET** to confirm your selection and exit **AUX SET** mode.

For Model AZ6100, press **MODE** to continue setting other functions. Pressing **MODE** on Model AZ4100 will return you to **AUX SET** mode and an "AU" will appear in the display.



MODE 8 All-Electric Heat (AZ6100 only)

The default setting for Mode 8 is OFF. This electric heat option functions only on the 6100 model. When this option is ON "⏏," heat pump operation is locked out, causing the unit to provide only electric resistance heat. To set **All-Electric Heat** option, press **MODE** until an 8 appears in the first digit of the display. Press the up or down arrow keys to set this switch to OFF "⏏" or ON "⏏." This is shown in the second digit of the display.

Press **AUX SET** to confirm your selection and exit **AUX SET** mode, or press **MODE** to continue setting other functions.



MODE 9 Heat Boost (AZ6100 only)

The default setting for Mode 9 is OFF. When **Heat Boost** is ON and outer temperatures are between 25°F and 46°F, heat pump only operation is locked out. This setting is used to provide supplementary heat to the heat pump operation by electric resistance heat in conditions where the heat pump-only operation is not sufficient to maintain a consistent, comfortable room temperature. **NOTE:** Temperature Boost option should not be used with remote thermostat operation. This will cause the unit to switch to resistance heat when the outdoor temperature is 46°F.

To set Heat Boost, press **MODE** until a 9 appears in the first digit of the display. Press the up or down arrow keys to set this switch to OFF "⏏" or ON "⏏." This is shown in the second digit of the display. Press **AUX SET** to confirm your selection and exit **AUX SET** mode.



Auxiliary Controls—Terminal Connections

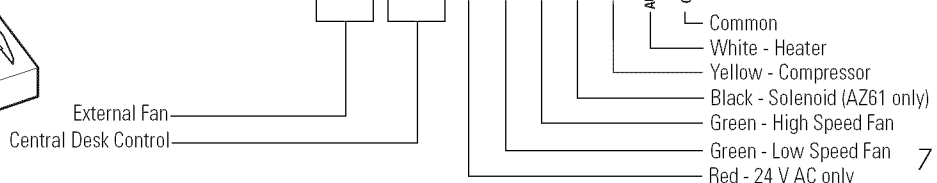
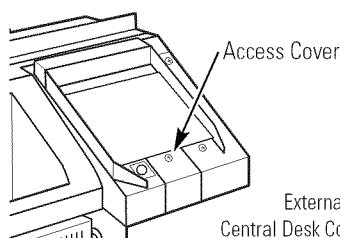
The auxiliary controls are located behind the room cabinet beneath the access cover.

- 1 Turn off and unplug the unit.
- 2 Remove the room cabinet. See the *To Remove the Room Cabinet* section.
- 3 Remove the screw from the access cover.
- 4 To make wiring connections, insert the wires into the bottom of the terminals and tighten screws securely.
- 5 After all desired connections have been made, replace the access cover and room cabinet.

The owner is responsible for making all connections and setting the appropriate **AUX SET** mode.

CAUTION:

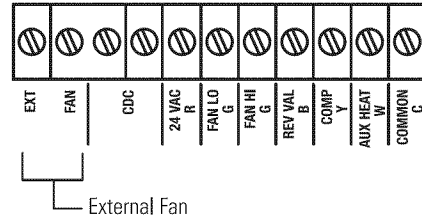
Improper wiring may damage the Zoneline electronics. No common busing is permitted. Damage or erratic operation may result. A separate wire pair must be run from each separate controlling switch to each individual Zoneline.



Auxiliary controls on your Zonline.

External Fan (Obtained locally)

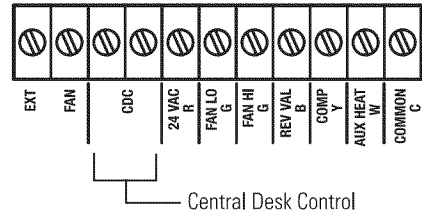
When connected, an auxiliary or external fan can be controlled with the indoor fan motor on the Zonline. Connections provide 24 V AC to energize a remote relay, turning on the external fan.



Central Desk Control

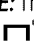
When connected, the unit can be turned ON or OFF with a switch located at the Central Control Panel. A separate wire pair must be run from each separate controlling switch to each individual Zonline.

Refer to MODE 2 on page 5 for fan setting options.



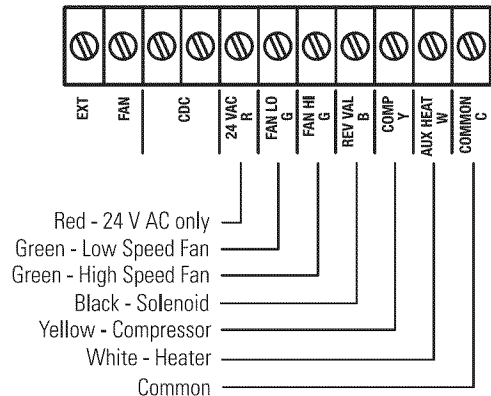
Remote Thermostat

When connected to a remote thermostat, the indoor air temperature sensing is shifted from the unit to the remote thermostat. For this reason, the units will operate slightly differently when connected to a remote thermostat. The following chart shows the unit operation when connected to a remote thermostat.

NOTE: The Class 2 Mode setting (Mode 6) must be set to ON "  " for the unit to operate with a Class 2 Remote Wall Thermostat. (See the installation instructions supplied with the remote thermostat and Mode instructions on page 7.)



Class 2 Shown ON



IMPORTANT: The Zonline thermostat connections provide 24 V AC only.

If using a digital/electronic wall thermostat, you must set it to the 24 V AC setting. See the Installation Instructions for the wall thermostat.

⚠ CAUTION:

Damage to a wall thermostat or to the Zonline electronics can result from improper connections. Special care must be used in connecting the wires. No line voltage connections should be made to any circuit. Isolate all wires in building from line voltage.

Feature	Heat Pump	Electric Heat
Indoor Frost Control	Yes	Yes
Freeze Sentinel	Yes	Yes
Auto Fan Speed	No	No
Electronic Temperature Limiting	No	No
Switch to Resistance Heat Based On Indoor Temperature	Determined by Remote Thermostat	N/A
Switch to Resistance Heat Based On Outdoor Temperature	Yes	N/A
Reverse Cycle Defrost	Yes	N/A
Simultaneous Resistance Heat with Heat Pump	No	N/A
Resistance Heat Lockout	Yes	N/A
"Smart Fan" Fan Cycle	Fan ON/AUTO Set On Remote Thermostat	Fan ON/AUTO Set On Remote Thermostat
Central Desk Control	Yes	Yes

Care and cleaning.

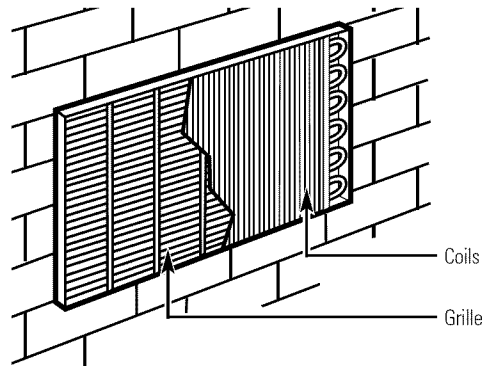
Room Cabinet and Case

Turn the Zonline off and disconnect the power supply.

To clean, use water and a mild detergent. Do not use bleach or abrasives. Some commercial cleaners may damage the plastic parts.

Outdoor Coils

The coils on the outdoor side of the Zonline should be checked regularly. If they are clogged with dirt or soot, they may be professionally steam cleaned. You will need to remove the unit from the wall sleeve to inspect the coils. The dirt buildup occurs on the fan side of the outdoor coil.



Clean the outside coils regularly.

Base Pan

In some installations, dirt or other debris may be blown into the unit from the outside and settle in the base pan (the bottom of the unit).

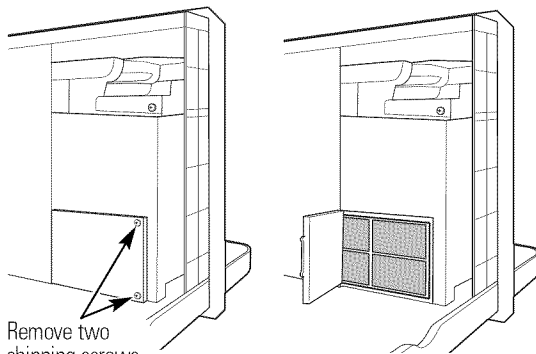
In some areas of the United States, a naturally occurring "gel-like" or "slime-like" substance may be seen in the base pan.

Check it periodically and clean, if necessary.

Ventilation Filter

If the vent door is open, access requires the removal of the unit from the wall sleeve. Clean the vent filter twice a year or as required.

Turn the Zonline off and unplug before cleaning.



Remove two shipping screws (if operation is desired)

To clean the vent filter:

IMPORTANT:

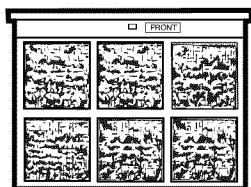
This filter is not removable. Trying to remove this filter will damage the unit.

- Use a vacuum to remove debris from the filter.
- Use a damp rag to wipe down the filter and surrounding area after vacuuming.

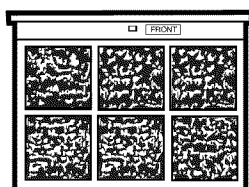
Care and cleaning.

To maintain optimum performance, clean the filters at least every 30 days.

Air Filters



Dirty filter—Needs cleaning



Clogged filter—Greatly reduces cooling, heating and airflow.

Turn the Zoneline off before cleaning.

The most important thing you can do to maintain the Zoneline is to clean the filter at least every 30 days. Clogged filters reduce cooling, heating and air flow.

Keeping these filters clean will:

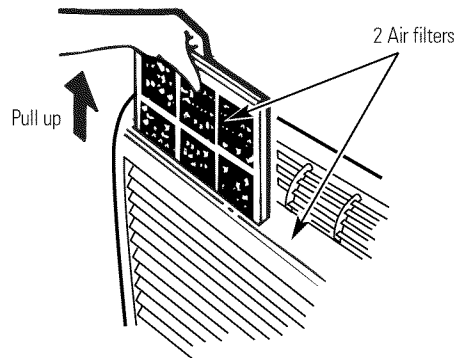
- Decrease cost of operation.
- Save energy.
- Prevent clogged heat exchanger coils.
- Reduce the risk of premature component failure.

To clean the air filters:

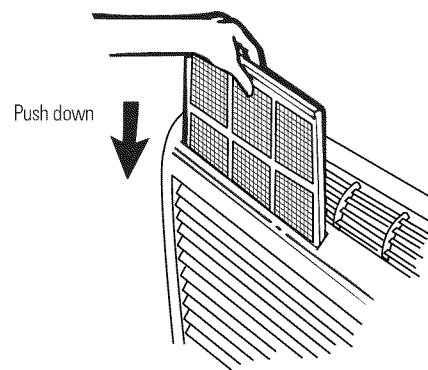
- Vacuum off the heavy soil.
- Run water through the filters from the back side.
- Dry thoroughly before replacing.

NOTE: The air filters are interchangeable and will fit in either the right or left side.

To remove the air filters:



To replace the air filters:



⚠ CAUTION: Do not operate the Zoneline without the filters in place. If a filter becomes torn or damaged, it should be replaced immediately.

Operating without the filters in place or with damaged filters will allow dirt and dust to reach the indoor coil and reduce the cooling, heating, airflow and efficiency of the unit.

Replacement filters are available from your salesperson, GE dealer, GE Service and Parts Center or authorized Customer Care® servicers.

Installation Instructions

Zonline Air Conditioners

Questions? Call 800.GE.CARES (800.432.2737) or Visit our Website at: GEAppliances.com

BEFORE YOU BEGIN

Read these instructions completely and carefully.

- **IMPORTANT** – Save these instructions for local inspector's use.
- **IMPORTANT** – Observe all governing codes and ordinances.
- **Note to Installer** – Be sure to leave these instructions with the owner.
- **Note to Owner** – Keep these instructions for future reference.
- Proper installation is the responsibility of the installer.
- Product failure due to improper installation is not covered under the Warranty.

TOOLS YOU WILL NEED



Phillips screwdriver

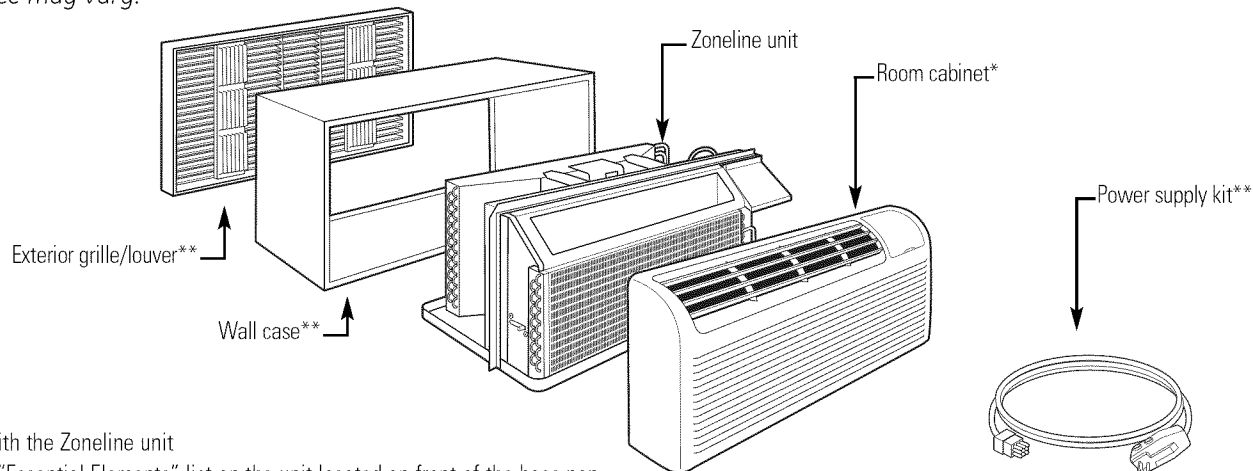
IMPORTANT ELECTRICAL SAFETY—READ CAREFULLY

⚠ CAUTION:

- Follow the National Electrical Code (NEC) or local codes and ordinances.
- For personal safety, this Zonline must be properly grounded.
- Protective devices (fuses or circuit breakers) acceptable for Zonline installations are specified on the nameplate of each unit.
- Do not use an extension cord with this unit.
- Aluminum building wiring may present special problems—consult a qualified electrician.
- When the unit is in the OFF position, there is still voltage to the electrical controls.
- Disconnect the power to the unit before servicing by:
 - 1 Removing the power cord (if it has one) from the wall receptacle.OR
 - 2 Removing the branch circuit fuses or turning the circuit breakers off at the panel.

ZONELINE COMPONENTS

Appearance may vary.

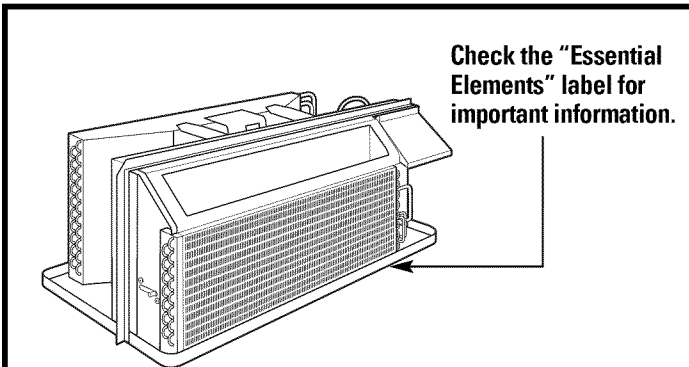


* Shipped with the Zonline unit

** Check the "Essential Elements" list on the unit located on front of the base pan

Installation Instructions

REPLACING AN EXISTING UNIT?



Use the correct wall case

This unit is designed to be installed in a GE plastic or insulated metal wall case. This minimizes condensation from forming on the room side of the case.

If the current wall case is not insulated, you can reduce the possibility of condensation forming by installing insulation kit RAK901L, available where you purchased the unit.

NOTE: There are several extra holes in the unit side flanges for installation in wall cases other than GE. To avoid damaging the flange insulation, the installer should use an awl or other sharp tool to puncture the insulation in the appropriate holes before installing the attachment screws.

Use the correct outdoor grille

You should use the outdoor grilles shown on the "Essential Elements" label on the base pan.

- If an existing grille is not replaced, capacity and efficiency will be reduced and the unit may fail to operate properly or fail prematurely. A deflector kit, RAK40, may be used with grilles that were not designed for your new GE Zonelines. The RAK40 contains air deflectors and gaskets that mount to the unit to direct the hot exhaust air away from the air intake to allow the unit to function properly. The grille must have a 65% minimum free area.
- Any vertical deflectors in the existing rear grille should be removed to decrease condenser air recirculation that can cause the unit to "short-cycle" and lead to premature component failure.

Use the correct power cord

Local codes may require the use of arc fault or leakage current detection devices on 230/208-volt installations.

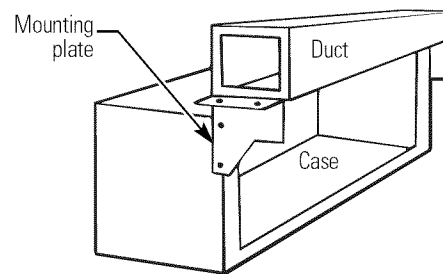
Replacing a ducted unit

New ducted installation:

If this unit is to be installed in a new ducted application using a duct adapter kit, the kit must be installed before the unit is placed in the wall case. The installation instructions are packed with the kit.

Duct kits available:


RAK6052
RAK601/602



Existing ducted installation:

Replacement of an existing ducted unit may require different components. Request this information from your sales representative.

- **Replacing 230/208 volt units:**
See page 13.
- **Replacing 265 volt units:**
See page 14.

When using a duct kit, you must always turn Mode 7 to ON "  ." See Mode instructions on page 7.



Duct Mode
Shown ON

Installation Instructions

230/208 VOLT ELECTRICAL CONNECTION OPTIONS

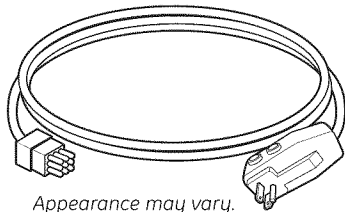
HOW TO CONNECT

1. Remove the room cabinet.
2. Connect to electrical power.
3. Review the following steps for applicable supply voltages.
4. Reinstall the room cabinet.

Power cords may include an arc fault interruption or a leakage current detection interruption device. A test and reset button is provided on the plug case or the inline case. The device should be tested on a periodic basis by first pressing the TEST button and then the RESET button. If the TEST button does not trip or if the RESET button will not stay engaged, discontinue use of the Zoneline and contact a qualified service technician.

POWER CORD CONNECTION

A power supply kit with LCDI must be used to supply power to the Zoneline unit. The appropriate kit is determined by the voltage, the means of electrical connection and the amperage of the branch circuit.



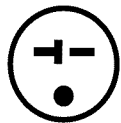
Appearance may vary.
Power supply kit

Connections of 208 or 230-volt circuits may be with a power supply kit or a junction box kit.

All wiring, including installation of the receptacle, must be in accordance with the NEC and local codes, ordinances and regulations. Codes require the use of an arc fault or leakage current detection device on the power cord except direct connect. Be sure to select the correct cord for your installation.



Tandem
15 Amp.



Perpendicular
20 Amp.



Large Tandem
30 Amp.

230/208-volt receptacle configuration.

Branch Circuit and Unit Amperage Rating	Proper GE Power Cord with LCDI Device
15	RAK3153
20	RAK3203
30	RAK3303*

*Not approved for use on 7000 BTU models.

ELECTRICAL SUBBASE CONNECTION

230/208-volt models may be installed using one of the following electrical subbases:

Branch Circuit and Unit Amperage Rating	Proper GE Subbase Kit
15	RAK204D15P
20	RAK204D20P
30	RAK204D30P*

*Not approved for use on 7000 BTU models.

Electrical subbases provide an enclosure for direct connection or enclosed receptacles. The subbase kit includes the power cord.

The instructions provided with the selected subbase kit must be carefully followed. It is the responsibility of the installer to ensure the connection of components is done in accordance with these instructions and all electrical codes.

DIRECT CONNECTION

Order the following Kit for 230/208-volt direct connection as required:

Branch Circuit and Unit Amperage Rating	Power Supply Accessory	Power Supply Kit
15	RAK4002A	RAK4157
20	RAK4002A	RAK4207
30	RAK4002A	RAK4307*

*Not approved for use on 7000 BTU models.

Skip to the "MAKE ELECTRICAL CONNECTION TO THE UNIT" section.

Installation Instructions

265 VOLT ELECTRICAL CONNECTION OPTIONS

WARNING:

Connection of this 265 V AC product to a branch circuit **MUST** be done by direct connection in accordance with the National Electrical Code. Plugging this unit into a building-mounted exposed receptacle is not permitted by code.

These models must be installed using the appropriate GE power supply kit for the branch circuit amperage and the electrical resistance heater wattage desired. Use the POWER CONNECTION CHART on page 16 to determine the correct kit required. One of the following installation methods (A or B) must be used.

A. FOR SUBBASE INSTALLATION

Electrical subbase kits are available to provide a flexible enclosure for direct connection.

<i>Branch Circuit and Unit Amperage Rating</i>	<i>Proper GE Subbase Kit</i>	<i>Power Supply Kit</i>
15	RAK204E15	RAK5172
20	RAK204E20	RAK5202
30	RAK204E30	RAK5302*

*Not approved for use on 7000 BTU models.

The instructions provided with the selected subbase kit must be carefully followed. It is the responsibility of the installer to ensure the connection of components is done in accordance with these instructions and all electrical codes.

B. FOR DIRECT CONNECT INSTALLATION

If an electrical subbase is not used, direct connection to branch circuit wiring inside the provided junction box must be done in accordance with the following steps.

Order the following Kit for 265-volt direct connection as required:

<i>Branch Circuit and Unit Amperage Rating</i>	<i>Power Supply Kit</i>
15	RAK5157
20	RAK5207
30	RAK5307*

*Not approved for use on 7000 BTU models.

Proceed to the "MAKE ELECTRICAL CONNECTION TO THE UNIT" section.

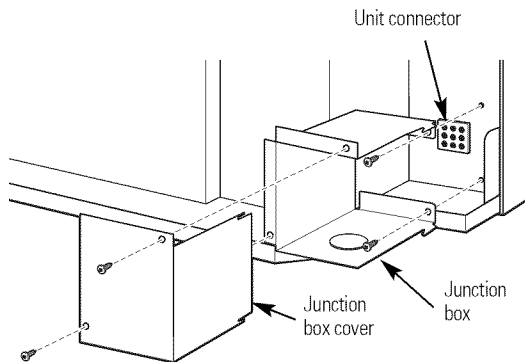
NOTE: Order Kit RAK4002CW to enable a quick disconnect inside the junction box.

Installation Instructions

MAKE ELECTRICAL CONNECTION TO THE UNIT

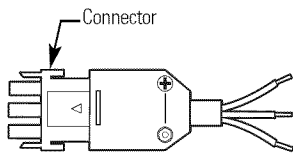
1 REMOVE JUNCTION BOX

1. Remove the junction box cover by removing the front two screws.
2. Remove the junction box by removing the top and bottom rear screws. Note how the tabs on the lower left side of the junction box serve to hold the side in place. This will help when the box is being reinstalled.



2 CONNECT THE CORDSET

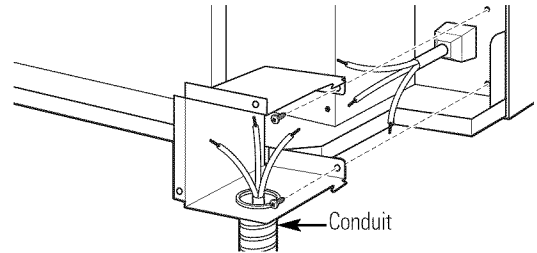
Plug the connector, provided in the Direct Connect Kit, fully into place in the unit mating connector. Be sure the locking tabs at the sides are engaged.



NOTE: Order Kit RAK4002CW to enable a quick disconnect inside the junction box.

3 ATTACH CONDUIT

1. Use the round knockout at the bottom of the junction box to attach conduit coming from the branch circuit. Remove the knockout, attach the conduit and bring wires into the junction box. Leave 6" of wire free at the end of the conduit to allow connections to be made.



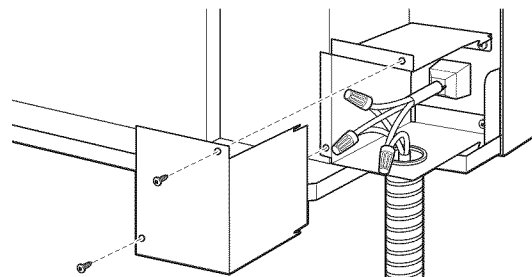
2. If a fuse and fuseholder are to be used, the knockout at the top of the box is for mounting a Buss fuseholder. Be sure the fuse and fuseholder are of the same rating as the branch circuit. Leadwires at the fuse can be either soldered in place or attached using UL-listed 1/4" female (receptacle) crimp connectors. Follow local codes.

4 REINSTALL JUNCTION BOX

- Reinstall the junction box by engaging the left tabs on the lower right face of the unit, aligning the screw holes at the top and bottom and driving the two screws until secure. Be sure that all wire leads are inside the box and not pinched between the box and the unit. The green insulated ground wire from the unit **MUST** be connected to the branch circuit ground wire. Make all wire connections by using appropriate UL-listed electrical connectors and techniques (black to black, white to white and green to green).

5 REINSTALL JUNCTION BOX COVER

1. Carefully tuck all wires and connections back inside the junction box. Be sure there are no loose connections or stray uninsulated wires exposed.
2. Place the junction box cover in place. Replace the two screws removed earlier and tighten securely.



Installation Instructions

POWER CONNECTION CHART

Power Cord Connections

230/208 Volt Power Supply Kits with Current Leakage Detection Device	Wall Plug Configuration	Circuit Protective Device	Heater Wattage @ 230/208 Volts
RAK3153 RAK3203 RAK3303*	Tandem Perpendicular Large Tandem	15-Amp Time-Delay Fuse or Breaker 20-Amp Time-Delay Fuse or Breaker 30-Amp Time-Delay Fuse or Breaker	2.55/2.09 KW 3.45/2.82 KW 5.00/4.10 KW

Direct Connections

230/208 Volt Power Supply Kits	Circuit Protective Device	Heater Wattage @ 230/208 Volts
RAK4157 RAK4207 RAK4307*	15-Amp Time-Delay Fuse or Breaker 20-Amp Time-Delay Fuse or Breaker 30-Amp Time-Delay Fuse or Breaker	2.55 KW/2.09 KW 3.45 KW/2.82 KW 5.00 KW/4.10 KW
265 Volt Power Supply Kits	Circuit Protective Device	Heater Wattage @ 265 Volts
RAK5157 RAK5207 RAK5307*	15-Amp Time-Delay Fuse or Breaker 20-Amp Time-Delay Fuse or Breaker 30-Amp Time-Delay Fuse or Breaker	2.55 KW 3.45 KW 5.00 KW

*Not approved for use on 7000 BTUH units.

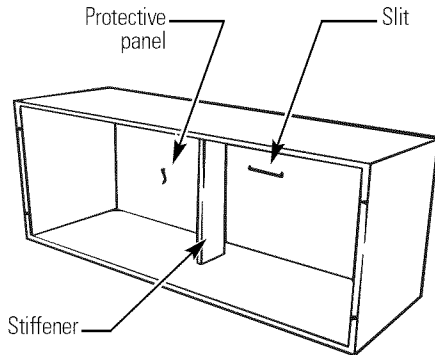
Installation Instructions

INSTALLING THE ZONELINE

1 INSTALL THE WALL CASE AND EXTERIOR GRILLE

The RAB71A series or RAB77A4 wall case must be properly installed per instructions packed with the case.

- Remove the corrugated stiffener and the outdoor protective panel. Use the slit in the outdoor panel as a handhold and push out.



- Install the exterior grille from the room side following instructions packed with the grille.

Insulated Wall Case

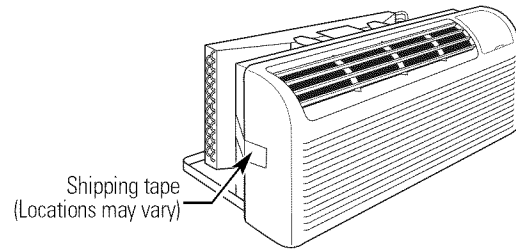
This unit is designed to be installed in a GE plastic or an insulated steel wall case. This minimizes condensation from forming on the room side of the case.

The RAB71A series wall cases are insulated. Insulation kit RAK901L is available for use with RAB77A4 or existing uninsulated wall cases when needed.

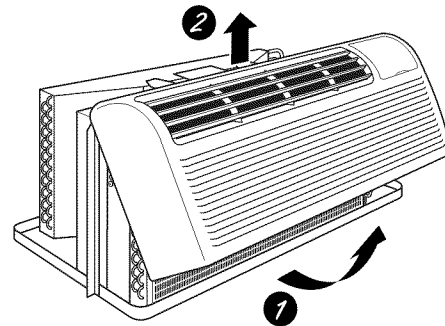
NOTE: For installation with a subbase or duct adapter, see the instructions packed with those kits.

2 PREPARE THE UNIT

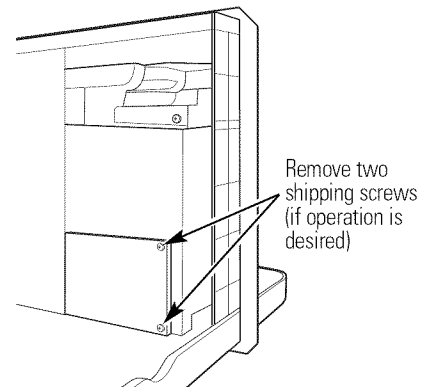
- Carefully remove shipping tape and foam shipping blocks from the room cabinet, compressor and vent door. There may be multiple blocks and pieces of shipping tape that need to be removed.



- Remove the room cabinet by pulling it out at the bottom to release it (1); then lift it up to clear the rail along the unit top (2).



- If vent door is to be operational, remove shipping screws from the front side of the vent door, if present.

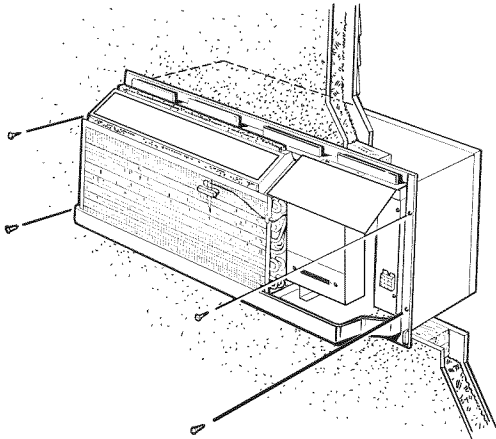


Installation Instructions

INSTALLING THE ZONELINE (cont.)

3 INSTALL THE UNIT INTO THE WALL CASE

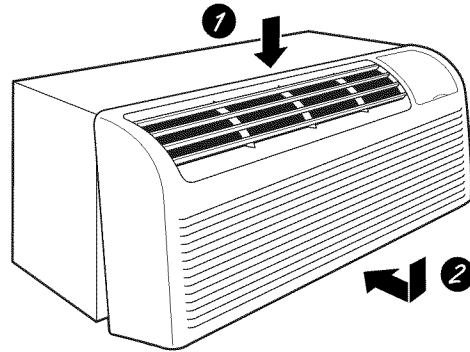
Slide the unit into the wall case and secure with four screws through the unit flange holes.



NOTE: There are several extra holes in the unit side flanges for installation in wall cases other than GE. To avoid damaging the flange insulation, the installer should use an awl or other sharp tool to puncture the insulation in the appropriate holes before installing the attachment screws.

4 REPLACE THE ROOM CABINET

Reinstall the room cabinet by hooking the top over the rail along the unit top (1), then pushing it in at the bottom (2).



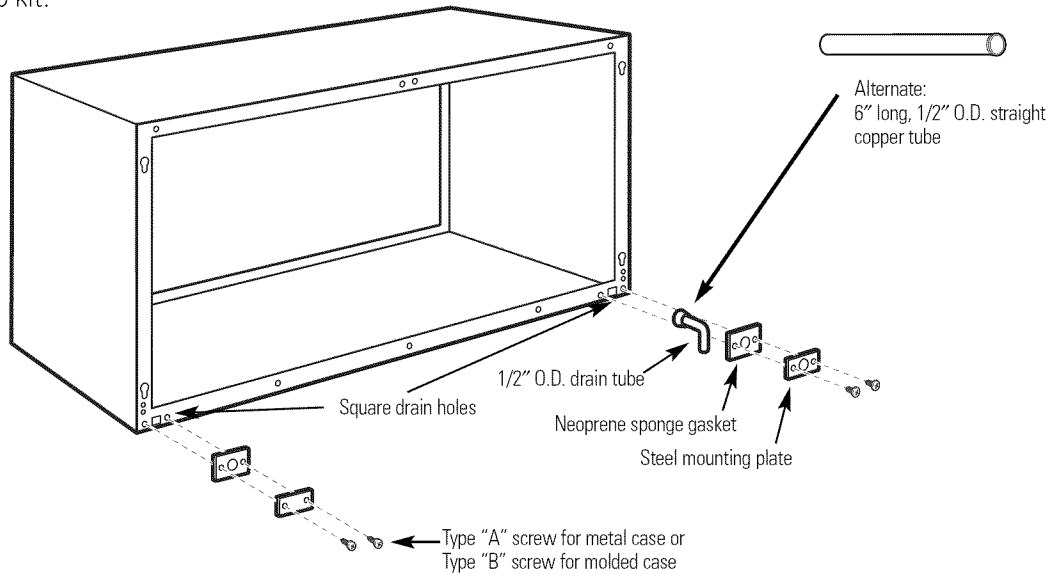
Installation Instructions

OPTIONAL—DRAIN KIT INSTALLATION

Dry Air 25 Series models are designed to improve dehumidification by 25%. Since more moisture will be removed from the air, there is a greater possibility that water will drip from the wall case than with a standard unit. To prevent this water from dripping onto external building walls, we recommend the use of RAD10 Drain Kit.

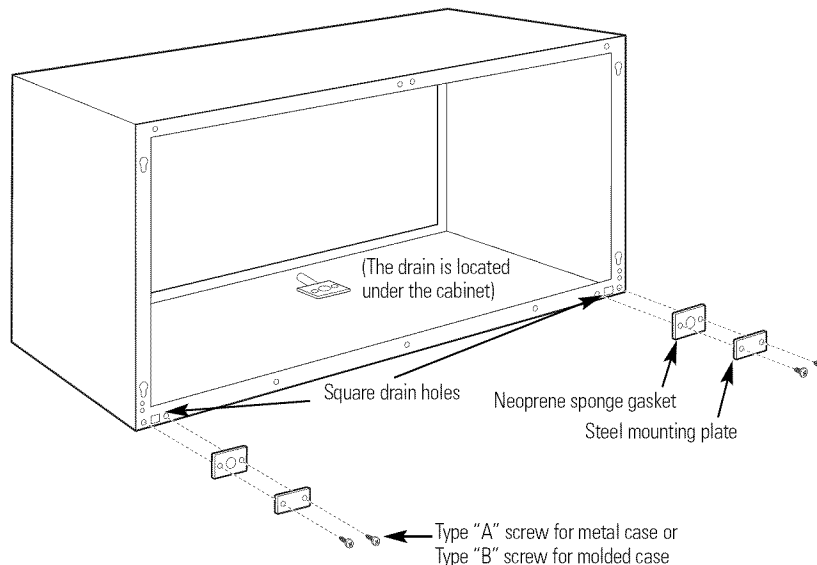
External Drain

See the Installation Instructions in the RAD10 kit.



Internal Drain

See the Installation Instructions in the RAD10 kit.



Before you call for service...



Troubleshooting Tips
Save time and money! Review the charts on the following pages first and you may not need to call for service.

<i>Problem</i>	<i>Possible Causes</i>	<i>What To Do</i>
<i>Zonline does not start</i>	The unit is unplugged.	<ul style="list-style-type: none"> Make sure the Zonline plug is pushed completely into the outlet.
	The power cord is not firmly attached.	<ul style="list-style-type: none"> Remove the room cabinet and make sure that the yellow connector on the end of the power cord is firmly engaged.
	The fuse is blown/circuit breaker is tripped.	<ul style="list-style-type: none"> Check the house fuse/circuit breaker box and replace the fuse or reset the breaker.
	The unit is waiting for the compressor overload protector to reset.	<ul style="list-style-type: none"> This is normal. The Zonline will start again after it resets.
	Power failure.	<ul style="list-style-type: none"> If power failure occurs, set the mode control to STOP. When power is restored, set the mode control to the desired setting. There is a protective time delay (up to 3 minutes) to prevent tripping of the compressor overload. For this reason, the unit may not start normal heating or cooling for 3 minutes after it is turned back on.
<i>Zonline does not cool or heat as it should</i>	The current interrupter device is tripped.	<ul style="list-style-type: none"> Press the RESET button located on the power cord plug or the box near the plug. If the RESET button will not stay engaged, discontinue use of the Zonline and contact a qualified service technician.
	Indoor airflow is restricted.	<ul style="list-style-type: none"> Make sure there are no curtains, blinds or furniture blocking the front of the Zonline.
	Outdoor airflow is restricted or recirculated.	<ul style="list-style-type: none"> Make sure the rear grille is not restricted. This can cause the unit to cycle off due to the compressor overload protector. Outdoor grille must have a minimum of 65% free area. Non-GE grilles may be too restrictive for proper performance. Consult your salesperson for assistance.
	The temp control may not be set properly.	<ul style="list-style-type: none"> Turn the control to a lower or higher setting. NOTE: <i>The temperature limiter may be limiting the temperature range.</i>
	The air filter is dirty.	<ul style="list-style-type: none"> Clean the filter at least every 30 days. See the <i>Operating Instructions</i> section.
	The room may have been hot or cold.	<ul style="list-style-type: none"> When the Zonline is first turned on you need to allow time for the room to cool down or warm up.
	Outdoor air is entering the room.	<ul style="list-style-type: none"> Set the vent control to the closed position.
<i>Burning odor at the start of heating operation</i>	Dust is on the surface of the heating element.	<ul style="list-style-type: none"> This can cause a "burning" odor at the beginning of the heating operation. This odor should quickly fade.

Problem	Possible Causes	What To Do
<i>The air is not always cool or hot during operation</i>	The heat pump is not producing hot air.	<ul style="list-style-type: none"> This is normal. The heat pump will produce warm air but not as hot as air produced when the higher-cost electric heat is used.
	The Smart Fan Auxiliary Controls may be set to continuous fan.	<ul style="list-style-type: none"> This causes the fan to blow room temperature air even when the compressor or heater cycles off. The continuous air movement provides better overall temperature control in the cool mode. See <i>Smart Fan – Cooling/Heating</i> on page 5.
<i>The air does not feel warm enough during heating operation</i>	The heat pump alone produces air that feels cooler than desired.	<ul style="list-style-type: none"> Use the Electric Heat Option. This turns off the heat pump and warms with electric heat only. NOTE: Use of this option will result in increased energy consumption.
<i>The unit is not blowing out air</i>	The Smart Fan Auxiliary Controls may be set to cycle.	<ul style="list-style-type: none"> See <i>Smart Fan – Cooling/Heating</i> on page 5.
<i>The electric heating feature does not work</i>	The power cord is not firmly attached.	<ul style="list-style-type: none"> Remove the room cabinet and make sure that the yellow connector on the end of the power cord is firmly engaged.
<i>Temperature display flashes</i>	The compressor may have failed.	<ul style="list-style-type: none"> Set the operation control to STOP and then restart the unit. If the flashing light reappears within 30 minutes, call for service.

Safety Instructions

Operating Instructions

Care and Cleaning

Troubleshooting Tips

Consumer Support

Things that are normal.

Normal Operating Sounds



You may hear a pinging noise caused by water being picked up and thrown against the condenser on rainy days or when the humidity is high. This design feature helps remove moisture and improve efficiency.

"CLICK"

You may hear relays click when the controls cycle on and off or are adjusted to change the room temperature.



Water will collect in the base pan during high humidity or on rainy days. The water may overflow and drip from the outdoor side of the unit.



The indoor fan runs continuously when the unit is operating in the cooling mode, unless the Smart Fan Auxiliary Control is set to cycle. This will cause the fan to cycle on and off with the compressor. You may also hear a fan noise stop and start.

3-Minute Delay



You may notice a few minutes delay in starting if you try to restart the Zoneline too soon after turning it off or if you adjust the thermostat right after the compressor has shut off. This is due to a built-in restart protector for the compressor that causes a 3-minute delay.

SILENCE

During the defrost cycle, both indoor and outdoor fans stop and the compressor will operate in the cooling mode to remove frost from the outdoor coil. After defrost, the unit will restart in electric heat to quickly warm the room to the desired comfort level.

COMPRESSOR PROTECTION

To protect the compressor and prevent short cycling, the unit is designed to run for a minimum of 3 minutes after the compressor starts at any thermostat setting.

Zonline Warranty.



All warranty service provided by our Factory Service Centers or an authorized Customer Care® technician. To schedule service, on-line, visit us at GEAppliances.com, or call 800.GE.CARES (800.432.2737). For service in Canada, contact Gordon Williams Corp. at 1.888.209.0999. Please have serial number and model number available when calling for service.

Staple your receipt here.
Proof of the original purchase date is needed to obtain service under the warranty.

For The Period Of:	GE Will Replace:
One Year From the date of the original purchase	Any part of the Zonline which fails due to a defect in materials or workmanship. During this limited one-year warranty , GE will also provide, free of charge , all labor and related service to replace the defective part.
Five Years From the date of the original purchase	Any part of the sealed refrigerating system (the compressor, condenser, evaporator and all connecting tubing) which fails due to a defect in materials or workmanship. During this four-year limited additional warranty , GE will also provide, free of charge , all labor and related service to replace the defective part.
Five Years From the date of the original purchase	For the second through the fifth year from the date of original purchase, GE will replace certain parts that fail due to a defect in materials or workmanship. Parts covered are fan motors, switches, thermostats, heater, heater protectors, compressor overload, solenoids, circuit boards, auxiliary controls, thermistors, frost controls, ICR pump, capacitors, varistors and indoor blower bearing. During this four-year limited additional warranty , you will be responsible for any labor or on-site service costs.

What GE Will Not Cover:

- Service trips to your site to teach you how to use the product.
- Failure of the product resulting from modifications to the product or due to unreasonable use, including failure to provide reasonable and necessary maintenance.
- Improper installation, delivery or maintenance.
If you have an installation problem, or if the air conditioner is of improper cooling capacity for the intended use, contact your dealer or installer. You are responsible for providing adequate electrical connecting facilities.
- Failure or damage resulting from corrosion due to installation in a coastal environment, except for models treated with special factory-applied anti-corrosion protection as designated in the model number.
- In commercial locations, labor necessary to move the unit to a location where it is accessible for service by an individual technician.
- Damage to product caused by improper power supply voltage, accident, fire, floods or acts of God.
- Failure or damage resulting from corrosion due to installation in an environment containing corrosive chemicals.
- Incidental or consequential damage to personal property caused by possible defects with this air conditioner.
- Replacement of fuses or resetting of circuit breakers.
- Damage caused after delivery.
- Product not accessible to provide required service.

EXCLUSION OF IMPLIED WARRANTIES—Your sole and exclusive remedy is product repair as provided in this Limited Warranty. Any implied warranties, including the implied warranties of merchantability or fitness for a particular purpose, are limited to one year or the shortest period allowed by law.

This warranty is extended to the original purchaser and any succeeding owner for products purchased for use within the USA and Canada. If the product is located in an area where service by a GE Authorized Servicer is not available, you may be responsible for a trip charge or you may be required to bring the product to an Authorized GE Service location for service. In Alaska, the warranty excludes the cost of shipping or service calls to your site.

Some states or provinces do not allow the exclusion or limitation of incidental or consequential damages. This warranty gives you specific legal rights, and you may also have other rights which vary from state to state or province to province. To know what your legal rights are, consult your local, state or provincial consumer affairs office or your state's Attorney General.

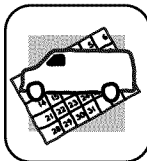
Consumer Support.



GE Appliances Website

GEAppliances.com

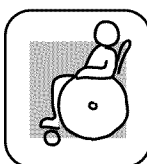
Have a question or need assistance with your appliance? Try the GE Appliances Website 24 hours a day, any day of the year! For greater convenience and faster service, you can now download Owner's Manuals, order parts or even schedule service on-line.



Schedule Service

GEAppliances.com

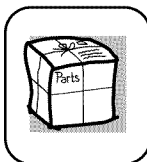
Expert GE repair service is only one step away from your door. Get on-line and schedule your service at your convenience any day of the year! Or call 800.GE.CARES (800.432.2737) during normal business hours.



Real Life Design Studio

GEAppliances.com

GE supports the Universal Design concept—products, services and environments that can be used by people of all ages, sizes and capabilities. We recognize the need to design for a wide range of physical and mental abilities and impairments. For details of GE's Universal Design applications, including kitchen design ideas for people with disabilities, check out our Website today. For the hearing impaired, please call 800.TDD.GEAC (800.833.4322).



Parts and Accessories

GEAppliances.com

Individuals qualified to service their own appliances can have parts or accessories sent directly to their homes (VISA, MasterCard and Discover cards are accepted). Order on-line today, 24 hours every day or by phone at 800.626.2002 during normal business hours.

Instructions contained in this manual cover procedures to be performed by any user. Other servicing generally should be referred to qualified service personnel. Caution must be exercised, since improper servicing may cause unsafe operation.



Contact Us

GEAppliances.com

If you are not satisfied with the service you receive from GE, contact us on our Website with all the details including your phone number, or write to: General Manager, Customer Relations
GE Appliances, Appliance Park
Louisville, KY 40225



Register Your Appliance

GEAppliances.com

Register your new appliance on-line—at your convenience! Timely product registration will allow for enhanced communication and prompt service under the terms of your warranty, should the need arise. You may also mail in the pre-printed registration card included in the packing material.



Zoneline® Conditionneur d'air

Mesures de sécurité2

Fonctionnement

Commandes3

Commandes auxiliaires5-8

Commande de ventilation4

Direction de l'air4

Enlèvement de la carrosserie
côté chambre4

Entretien et nettoyage

Carrosserie et boîtier côté chambre9

Filtre de ventilation9

Filtres à air10

Plateau9

Serpentin extérieur9

Instructions d'installation

Branchement électrique13-16

Installation de votre Zoneline17, 18

Préparation11

Remise en place
d'un appareil existant?12

Trousse de drainage en option19

Conseils de dépannage20, 21

Bruits normaux de fonctionnement22

Soutien au consommateur

Garantie23

Soutien au
consommateur24

**Manuel d'utilisation et
instructions d'installation**

Modèle à réchauffement/
rafraîchissement 4100

Modèle de pompe
à chaleur 6100

**Transcrivez les numéros de
modèle et de série ici :**

de modèle _____

de série _____

Trouvez ces numéros sur
une étiquette placée derrière
la carrosserie côté chambre,
sur le plateau.

MESURES DE SÉCURITÉ IMPORTANTES. LISEZ D'ABORD TOUTES LES DIRECTIVES.

⚠ AVERTISSEMENT!

Pour votre sécurité, suivez les directives fournies dans le présent manuel afin de minimiser les risques d'incendie, d'explosion et de chocs électriques et prévenir des dégâts matériels et des blessures graves ou mortelles.



MESURES DE SÉCURITÉ

- Vous devez bien installer votre Zonline, conformément aux Instructions d'installation, avant de l'utiliser. Consultez les Instructions d'installation à l'arrière de ce manuel.
 - Remplacez immédiatement tout cordon d'alimentation abîmé ou endommagé. Un cordon d'alimentation électrique endommagé ne doit pas être réparé mais plutôt remplacé par un autre cordon d'alimentation obtenu du fabricant. N'utilisez pas un cordon d'alimentation qui montre des fissures ou des signes d'abrasion sur sa longueur ou encore près de la prise ou du connecteur.
 - Débranchez ou enlevez la fiche de votre Zonline au niveau du coffret à fusibles ou du disjoncteur avant de le réparer.
- NOTE :** Nous vous recommandons vivement de confier toute réparation à un technicien qualifié.
- Pour les systèmes de climatisation au R410A, il est nécessaire que les entrepreneurs et les techniciens utilisent des outils, un équipement et des normes de sécurité autorisés pour ce fluide frigorigène. **N'utilisez PAS d'équipement certifié pour le fluide frigorigène R22.**

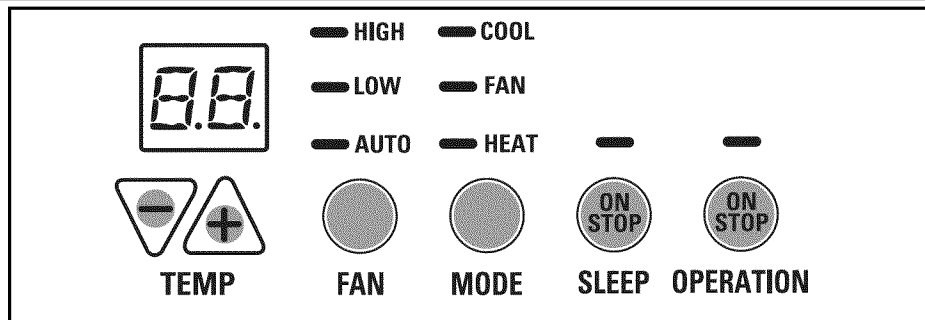
Remise en place d'un appareil existant?

Pour de plus amples détails, consultez les Instructions d'installation dans ce manuel.



VEUILLEZ LIRE ET SUIVRE ATTENTIVEMENT
CES MESURES DE SÉCURITÉ.

CONSERVEZ CES DIRECTIVES



COMMANDE DE TEMPÉRATURE

FONCTIONNEMENT DU VENTILATEUR, MODE ET VEILLE



Commandes ¹

1

Commande de température

La commande de température est utilisée pour régler la température de la pièce. Le compresseur se mettra en marche de façon sporadique de manière à maintenir le niveau de confort de la pièce.

Appuyez sur le bouton ▲ pour élever la température.

Appuyez sur le bouton ▼ pour abaisser la température.

NOTE : L'afficheur indique la température réglée, pas la température de la pièce.

2

Veille

Appuyez pour effectuer un réglage temporaire d'une durée de 8 heures avant que l'appareil ne revienne à son réglage initial.

Lorsque l'appareil est en mode climatisation et que le chronomètre de veille est sélectionné, la température réglée s'élèvera automatiquement de 1,1 °C (2 °F) après la deuxième heure et de 0,6 °C (1 °F) à chacune des deux heures suivantes. En plus, le ventilateur se réglera à basse vitesse. Lorsqu'il est en mode chauffage, la température réglée s'abaissera de la façon décrite précédemment.

Pour annuler le mode de veille, appuyez sur le bouton **MODE** ou appuyez de nouveau sur le bouton **SLEEP** (veille).

2

Ventilateur, mode et commande de fonctionnement

VENTILATEUR—Règle le fonctionnement du ventilateur selon les vitesses **HIGH** (élevée), **LOW** (basse) ou **AUTO**. Lorsque réglé à **AUTO**, la vitesse change de élevée à basse selon les changements de température de la pièce.

MODE—COOL—Pour climatisation

FAN—Pour le fonctionnement du ventilateur seulement

HEAT—Pour le chauffage

FONCTIONNEMENT—ON/STOP—Met en marche ou éteint l'appareil. Le Zoneline demeure sous tension. Les fonctions Freeze/Heat Sentinel (garde gel/chaleur) fonctionnent toujours si ce dernier est activé. Consultez la section *Garde de gel/Garde de chaleur* à la page 6.

NOTE : L'afficheur de température clignotera pour indiquer une défaillance possible. Réglez la commande de fonctionnement à **STOP** puis redémarrez l'appareil. Si le témoin clignotant réapparaît dans les 30 minutes qui suivent, appelez un réparateur.

Récupération rapide de la chaleur

S'active à chaque fois que le thermostat est passé du mode **STOP** (arrêt) ou **COOL** (froid) au mode **HEAT** (chaleur). Les radiateurs électriques sont alimentés jusqu'à ce que le point de réglage du thermostat soit atteint. Sur les modèles à pompe à chaleur, le fonctionnement de la pompe à chaleur reprendra au prochain appel de chaleur.

Votre pompe à chaleur (Série 6100 uniquement)

Les pompes à chaleur peuvent vous faire économiser de l'argent en tirant la chaleur de l'air extérieur—même quand la température extérieure est inférieure au gel—et en libérant cette chaleur à l'intérieur.

Pour obtenir un bon rendement de votre pompe à chaleur, ne changez pas souvent le réglage du thermostat de la chambre. Si vous augmentez de 2 ou 3 degrés la température désirée, votre Zoneline utilisera ses éléments de chauffage électrique pour atteindre rapidement la nouvelle température que vous avez choisie.

Le compresseur doit fonctionner au moins trois minutes à n'importe quel réglage pour éviter un fonctionnement avec arrêts et remises en marche répétés.

Le moteur du ventilateur intérieur commence avant la mise en marche du compresseur et s'arrête après l'arrêt du compresseur, à la fin du cycle.

Lorsque la température extérieure est inférieure à -3,8 °C (25 °F), la chaleur produite provient de l'élément chauffant électrique du conditionneur plutôt que de la pompe à chaleur.

Les éléments de chauffage électrique utilisent beaucoup plus d'électricité que les pompes à chaleur et coûtent davantage à l'usage.

Autres caractéristiques de votre Zoneline.

Commande de ventilation

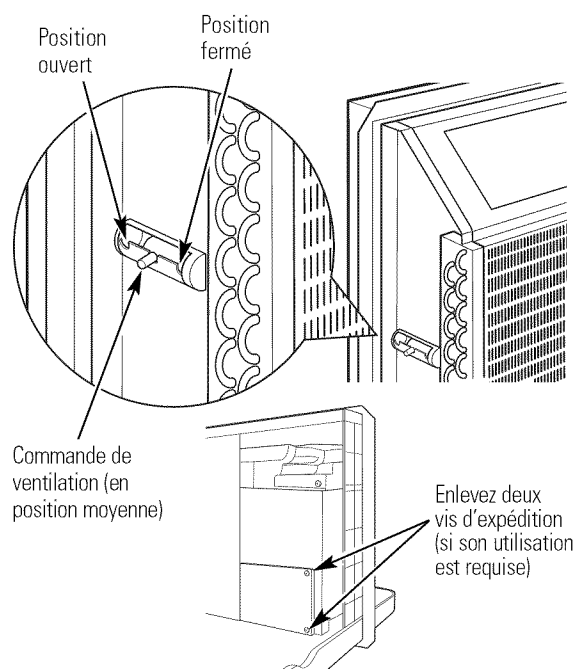
NOTE : Vous devez enlever de la porte de ventilation deux vis d'expédition avant d'utiliser votre appareil. Consultez les Instructions d'installation à l'arrière du présent manuel. Si vous envisagez de ne pas utiliser la fonction de ventilation, laissez ces deux vis en place.

Le levier de commande de la ventilation est situé au milieu du côté gauche de l'unité Zoneline à l'arrière de la carrosserie côté chambre.

Quand il est réglé en position fermé, seulement l'air à l'intérieur de la chambre circule et est filtré.

Quand il est réglé en position ouvert, un peu d'air de l'extérieur entre dans la chambre. Cela réduit l'efficacité de chauffage ou de rafraîchissement de votre appareil.

Pour économiser l'énergie, placez la commande de ventilation en position fermé. L'air de la chambre sera filtré et circulera.

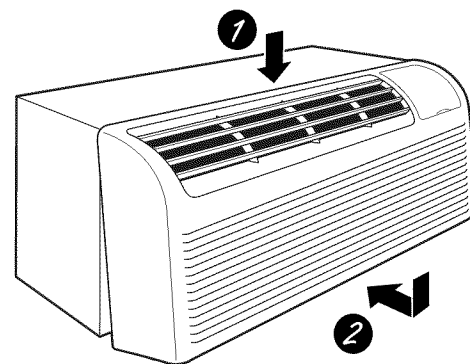
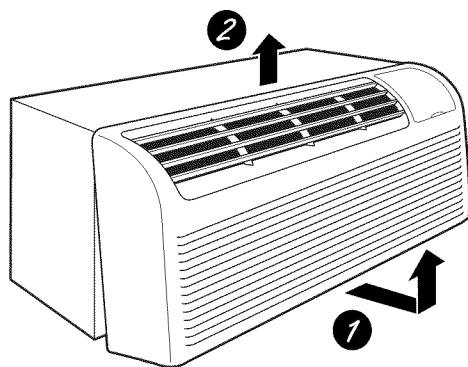


Enlèvement de la carrosserie côté chambre

Des commandes additionnelles se trouvent derrière la carrosserie côté chambre.

Enlèvement : Tirez le bas pour le libérer des taquets (1). Ensuite, soulevez (2).

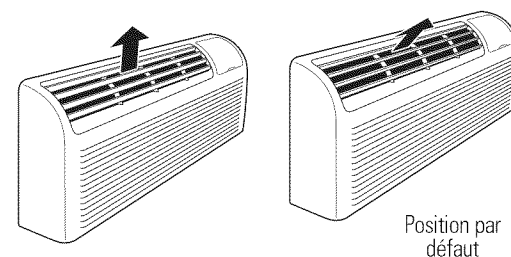
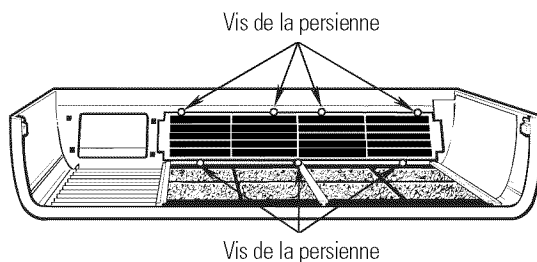
Remise en place : Placez les taquets sur le rail du haut (1). Poussez le bas vers l'intérieur jusqu'à ce qu'il se fixe en place (2).



Direction de l'air

Pour modifier la direction de l'air, enlevez la carrosserie côté chambre. Enlevez les 7 vis de la persienne, qui tiennent l'insertion de persienne en place. Faites basculer de 180 degrés l'insertion de persienne, remettez en place les vis et la carrosserie côté chambre.

Enlevez la carrosserie côté chambre et faites basculer l'insertion de persienne pour changer la direction de l'air.




Commandes auxiliaires—Bouton Aux Set

Les commandes auxiliaires sont situées à l'arrière de la carrosserie côté chambre, en dessous du tableau de commande.

Enlevez la carrosserie côté chambre. Consultez la section *Enlèvement de la carrosserie côté chambre*.

Le propriétaire doit s'assurer que les commandes auxiliaires sont réglées à la fonction désirée. 9 modes différents peuvent être sélectionnés grâce au bouton de réglage des commandes auxiliaires. Pour changer de modes, appuyez sur **AUX SET** (« AU » s'affiche à l'écran). Appuyez sur le bouton de sélection des modes sur le panneau de contrôle un nombre de fois défini (premier chiffre affiché à l'écran) puis appuyez sur les flèches de déplacement vers le haut ou vers le bas (deuxième chiffre affiché à l'écran) pour sélectionner le mode requis. Appuyez sur le bouton **AUX SET** pour confirmer la sélection.



Bouton de réglage auxiliaire
Couvercle d'accès

Press "AUX SET"	
R First Digit	U Second Digit
Press "Mode"	Press ▲ / ▼
1 Smart Fan 	U - Cycle / n - Continue
2 Load Shedding	U - Off / n - On
3 Sentinel 	
4 Constant Fan	
5 Temperature Limit 	COOL HEAT 0: 60F-85F 0: 60F-65F 1: 64F-85F 1: 60F-70F 2: 66F-85F 2: 60F-72F 3: 67F-85F 3: 60F-74F 4: 70F-85F 4: 60F-76F 5: 72F-85F 5: 60F-78F 6: 74F-85F 6: 60F-80F 7: 76F-85F 7: 60F-85F
6 Class 2 Mode	
7 Duct Mode	
8 All I2R Mode (AZ61 Only)	U - Off / n - On
9 Boost Heat (AZ61 Only)	

MODE 1 Smart Fan (Ventilateur intelligent)—Refroidissement/Chauffage

Le réglage par défaut pour le Mode 1 est le suivant :

Refroidissement : Continu (ON)

Chauffage : Par intermittence (OFF)

Appuyez sur **MODE** jusqu'à apparition d'un 1 comme premier chiffre de l'affichage pour obtenir le mode **Smart Fan** cool (Refroidissement par ventilateur intelligent). Le voyant à LED **COOL** (refroidissement) sur les commandes principales sera allumé. Pour passer à un mode de chauffage, appuyez à nouveau sur **MODE**. Le voyant à LED **HEAT** (chauffage) sur les commandes principales sera allumé. Appuyez sur la flèche vers le bas pour que le ventilateur intérieur fonctionne par intermittence lorsque l'appareil chauffe ou refroidit «**U**». Appuyez sur la flèche vers le haut pour que le ventilateur intérieur fonctionne en continu «**n**». Ceci est indiqué par le deuxième chiffre affiché. Appuyez sur **AUX SET** pour confirmer votre sélection et quitter le mode **AUX SET**, ou appuyez sur **MODE** pour continuer à régler d'autres fonctions.

1U — ÉLEVÉ — REFROIDISSEMENT
— FAIBLE — VENTILATION
— AUTO — CHAUFFAGE
Refroidissement – Par Intermittence

1n — ÉLEVÉ — REFROIDISSEMENT
— FAIBLE — VENTILATION
— AUTO — CHAUFFAGE
Refroidissement – Continu

1U — ÉLEVÉ — REFROIDISSEMENT
— FAIBLE — VENTILATION
— AUTO — CHAUFFAGE
Chauffage – Par Intermittence

1n — ÉLEVÉ — REFROIDISSEMENT
— FAIBLE — VENTILATION
— AUTO — CHAUFFAGE
Chauffage – Continu

MODE 2 Délestage des charges (Commande centrale)

Le réglage par défaut pour le Mode 2 est OFF (désactivé).

Cette fonction est seulement active lorsque l'appareil est connecté à une CDC (Commande centrale) et que la CDC contrôle l'appareil. Appuyez sur **MODE** jusqu'à apparition d'un 2 comme premier chiffre affiché pour obtenir le mode **Délestage des charges**. Appuyez sur la flèche vers le bas pour OFF (inactif) «**U**» ou sur la flèche vers le haut pour ON (activé) «**n**». Ceci est indiqué par le deuxième chiffre affiché. Lorsque ce mode est activé, seul le ventilateur intérieur peut être éteint ou allumé avec les commandes de l'appareil. Lorsque ce mode est inactif, toutes les fonctions sont inactivées excepté la fonction Freeze/Heat Sentinel (garde gel/chaueur). Appuyez sur **AUX SET** pour confirmer votre sélection et quitter le mode **AUX SET**, ou appuyez sur **MODE** pour continuer à régler d'autres fonctions.

2U
Délestage des charges désactivé

2n
Délestage des charges activé

Commandes auxiliaires sur votre Zoneline.

MODE 3 *Garde de gel/Garde de chaleur*

Pour le réglage par défaut du Mode 3, *Heat Sentinel* (garde chaleur) est inactivée, *Freeze Sentinel* (garde gel) est activée.

Appuyez sur **MODE** jusqu'à apparition d'un 3 comme premier chiffre affiché pour obtenir le mode **Garde Gel**. Le voyant à LED **COOL** (refroidissement) sur les commandes principales sera allumé. Appuyez à nouveau sur **MODE** pour passer au **Garde Chaleur**. Le voyant à LED **HEAT** (chauffage) sur les commandes principales sera allumé. Appuyez sur la flèche vers le bas pour OFF (inactivé) « **⏏** » ou sur la flèche vers le haut pour ON (activé) « **⏏** ». Ceci est indiqué par le deuxième chiffre affiché. Appuyez sur **AUX SET** pour confirmer votre sélection et quitter le mode **AUX SET**, ou appuyez sur **MODE** pour continuer à régler d'autres fonctions.

Lorsque la fonction **Garde Gel** est activée, le système chauffe automatiquement sans utiliser l'interface utilisateur. Ceci permet d'éviter d'endommager la plomberie en allumant le chauffage et le ventilateur intérieur à 5 °C (41 °F) et en l'éteignant à 8 °C (46 °F).

Lorsque le **Garde Chaleur** est activé, le système refroidit automatiquement sans utiliser l'interface utilisateur. Ceci permet d'éviter d'avoir des pièces trop chaudes en allumant le climatiseur à 30 °C (85 °F) et en l'éteignant à 27 °C (80 °F).

NOTE : Ces fonctions sont actives lorsque l'appareil est branché, même si l'appareil est sur OFF (arrêt).

30 — ÉLEVÉ — REFROIDISSEMENT
— FAIBLE — VENTILATION
— AUTO — CHAUFFAGE

Garde Gel Désactivé

31 — ÉLEVÉ — REFROIDISSEMENT
— FAIBLE — VENTILATION
— AUTO — CHAUFFAGE

Garde Gel Activé

30 — ÉLEVÉ — REFROIDISSEMENT
— FAIBLE — VENTILATION
— AUTO — CHAUFFAGE

Garde Chaleur Désactivé

31 — ÉLEVÉ — REFROIDISSEMENT
— FAIBLE — VENTILATION
— AUTO — CHAUFFAGE

Garde Chaleur Activé

MODE 4 *Ventilateur toujours en marche*

Le réglage par défaut pour le Mode 4 est OFF (Désactivé).

Appuyez sur **MODE** jusqu'à apparition d'un 4 comme premier chiffre affiché pour que le ventilateur fonctionne en continu à vitesse élevée, même lorsque l'appareil est sur la position OFF (arrêt). Appuyez sur la flèche vers le bas pour OFF (inactivé) « **⏏** » ou sur la flèche vers le haut pour ON (activé) « **⏏** ». Ceci est indiqué par le deuxième chiffre affiché. Appuyez sur **AUX SET** pour confirmer votre sélection et quitter le mode **AUX SET**, ou appuyez sur **MODE** pour continuer à régler d'autres fonctions.

40

Ventilation
en continu
inactivée

41

Ventilation
en continu
activée

MODE 5 *Limitation de température*

Le réglage par défaut pour le Mode 5 est le suivant :

Refroidissement : 0 (15 °C à 30 °C ou 60 °F à 85 °F)

Chauffage : 7 (15 °C à 30 °C ou 60 °F à 85 °F)

Appuyez sur **MODE** jusqu'à apparition d'un 5 comme premier chiffre affiché pour obtenir le mode **Limitation de Température**. Le voyant à LED **COOL** (refroidissement) sur les commandes principales sera allumé. Pour passer à un mode de chauffage, appuyez à nouveau sur **MODE** et le voyant à LED **HEAT** (chauffage) sur les commandes principales sera allumé. Pour régler les limites de température, appuyez sur les flèches vers le haut ou vers le bas. Le deuxième chiffre s'affichera entre 0 et 7 suivant la limite que vous souhaitez. Le tableau donne les limites possibles. Appuyez sur **AUX SET** pour confirmer votre sélection et quitter le mode **AUX SET**, ou appuyez sur **MODE** pour continuer à régler d'autres fonctions.

Limites de températures— Refroidissement	Limites de températures— Chauffage
0 = 15 °C à 30 °C (60 °F à 85 °F)	0 = 15 °C à 18 °C (60 °F à 65 °F)
1 = 18 °C à 30 °C (64 °F à 85 °F)	1 = 15 °C à 21 °C (60 °F à 70 °F)
2 = 19 °C à 30 °C (66 °F à 85 °F)	2 = 15 °C à 22 °C (60 °F à 72 °F)
3 = 20 °C à 30 °C (68 °F à 85 °F)	3 = 15 °C à 23 °C (60 °F à 74 °F)
4 = 21 °C à 30 °C (70 °F à 85 °F)	4 = 15 °C à 24 °C (60 °F à 76 °F)
5 = 22 °C à 30 °C (72 °F à 85 °F)	5 = 15 °C à 26 °C (60 °F à 78 °F)
6 = 23 °C à 30 °C (74 °F à 85 °F)	6 = 15 °C à 27 °C (60 °F à 80 °F)
7 = 24 °C à 30 °C (76 °F à 85 °F)	7 = 15 °C à 30 °C (60 °F à 85 °F)

52 — ÉLEVÉ — REFROIDISSEMENT
— FAIBLE — VENTILATION
— AUTO — CHAUFFAGE

Refroidissement – Limites de température – Limite 2

53 — ÉLEVÉ — REFROIDISSEMENT
— FAIBLE — VENTILATION
— AUTO — CHAUFFAGE

Chauffage – Limites de température – Limite 3

MODE 6 *Thermostat à distance—Classe 2*

Le réglage par défaut pour le Mode 6 est OFF (désactivé).

En activant ce mode, l'appareil pourra fonctionner avec un thermostat mural à distance de Classe 2. Appuyez sur **MODE** jusqu'à apparition d'un 6 comme premier chiffre affiché pour obtenir le mode **Classe 2**. Appuyez sur la flèche vers le bas pour désactiver cette option « **⏏** ». Appuyez sur la flèche vers le haut pour activer cette option « **⏏** ». Ceci est indiqué par le deuxième chiffre affiché. Appuyez sur **AUX SET** pour confirmer votre sélection et quitter le mode **AUX SET**, ou appuyez sur **MODE** continuer à régler d'autres fonctions.

60

Classe 2
désactivé

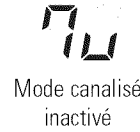
61

Classe 2
activé

MODE 7 Mode canalisé

Le réglage par défaut pour le Mode 7 est OFF (désactivé). Ce réglage est utilisé lorsque l'appareil est installé avec une trousse d'adaptateur de canalisation. Si l'appareil est canalisé, le Mode Canalisé doit être activé. Ceci augmente la vitesse du ventilateur pour assurer une circulation d'air adéquate. Appuyez sur **MODE** jusqu'à apparition d'un 7 comme premier chiffre affiché. Appuyez sur la flèche vers le haut ou vers le bas pour inactiver « **┐** » ou activer « **┌** » ce mode. Ceci est indiqué par le deuxième chiffre affiché. Appuyez sur la touche **AUX SET** pour valider votre choix et quitter le mode **AUX SET**.

Pour les modèles AZ6100, appuyez sur **MODE** pour continuer à régler les autres fonctions. En appuyant sur **MODE** sur le modèle AZ4100, vous reviendrez au mode **AUX SET** et « AU » s'affichera à l'écran.



MODE 8 Chaleur toute électrique (uniquement AZ6100)

Le réglage par défaut pour le Mode 8 est OFF (désactivé). L'option chaleur électrique est uniquement disponible pour le modèle 6100. Lorsque cette option est activé « **┌** », le fonctionnement de la pompe à chaleur est verrouillé, l'appareil ne fournit donc qu'une chaleur électrique. Pour activer l'option **Chaleur Toute Électrique**, appuyez sur **MODE** jusqu'à apparition d'un 8 comme premier chiffre affiché. Appuyez sur la flèche vers le haut ou vers le bas pour inactiver « **┐** » ou activer « **┌** » ce mode. Ceci est indiqué par le deuxième chiffre affiché.

Appuyez sur **AUX SET** pour confirmer votre sélection et quitter le mode **AUX SET**, ou appuyez sur **MODE** pour continuer à régler d'autres fonctions.



MODE 9 Booster de chaleur (uniquement AZ6100)

Le réglage par défaut pour le Mode 9 est OFF (désactivé). Lorsque le **Booster de Chaleur** est activé et que la température extérieure varie entre -4 °C (25 °F) et 8 °C (46 °F), le fonctionnement en pompe à chaleur uniquement est désactivé. Ce réglage est utilisé pour apporter une source de chaleur supplémentaire au fonctionnement de la pompe à chaleur par utilisation des résistances électriques, dans les conditions où la pompe à chaleur seule ne pourra maintenir une température constante et agréable dans la pièce. **NOTE** : L'option Booster Température ne doit pas être utilisée avec le thermostat à distance. L'appareil passerait en chauffage par les résistances électriques si la température extérieure atteint 8 °C (46 °F).

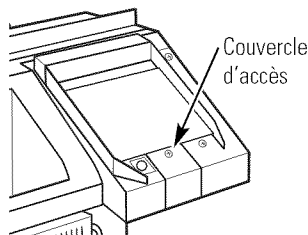
Pour régler l'option Booster de Chaleur, appuyez sur **MODE** jusqu'à apparition d'un 9 comme premier chiffre affiché. Appuyez sur la flèche vers le haut ou vers le bas pour inactiver « **┐** » ou activer « **┌** » ce mode. Ceci est indiqué par le deuxième chiffre affiché. Appuyez sur la touche **AUX SET** pour valider votre choix et quitter le mode **AUX SET**.



Commandes auxiliaires—Bornes de raccordement

Les commandes auxiliaires sont situées derrière la carrosserie côté chambre, sous le couvercle d'accès.

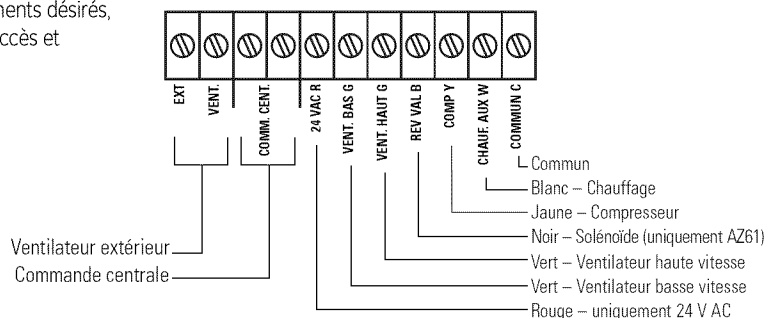
- 1 Eteignez et débranchez l'appareil.
- 2 Enlevez la carrosserie côté chambre. Consultez la section *Enlèvement de la carrosserie côté chambre*.
- 3 Enlevez les vis du couvercle d'accès.
- 4 Pour raccorder aux fils, insérez les fils en bas des bornes et serrez fortement les vis.
- 5 Après avoir fait tous les raccordements désirés, remettez en place le couvercle d'accès et la carrosserie côté chambre.



Le propriétaire est responsable de la provision de tous les raccordements et du réglage du mode **AUX SET** adéquat.

⚠ MISE EN GARDE :

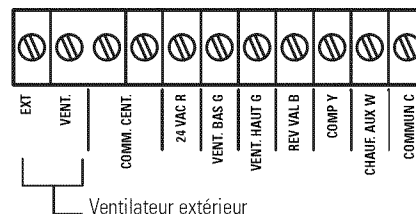
Un mauvais câblage peut endommager l'électronique de votre Zoneline. Aucune connexion doublée n'est permise. Elle peut occasionner des dommages ou un mauvais fonctionnement. Une paire de fils distincte doit aller de chaque commutateur de commande à chaque Zoneline.



Commandes auxiliaires sur votre Zoneline.

Ventilateur extérieur (obtenu localement)

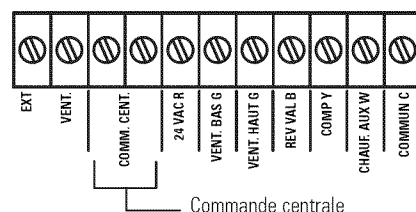
Quand ce commutateur est branché, un ventilateur extérieur ou auxiliaire peut être contrôlé avec le moteur du ventilateur intérieur sur le Zoneline. Les branchements fournissent un courant alternatif de 24 V pour alimenter un relai à distance, mettant en marche le ventilateur extérieur.



Commande centrale


Quand ce commutateur est branché, l'appareil peut être mise en marche ou arrêtée par un commutateur situé sur le panneau central de commande. Une paire distincte de fils doit aller de chaque commutateur de contrôle à chaque Zoneline.

Référez-vous au MODE 2 à la page 5 pour les options de réglages du ventilateur.



Thermostat à distance

Lorsque l'appareil est connecté au thermostat à distance, la température de l'air intérieur est détectée au niveau du thermostat et non au niveau de l'appareil. Pour cette raison, les appareils fonctionneront de façon légèrement différente lorsque connectés au thermostat à distance. Le tableau suivant indique le fonctionnement de l'unité lorsqu'elle est connectée au thermostat à distance.

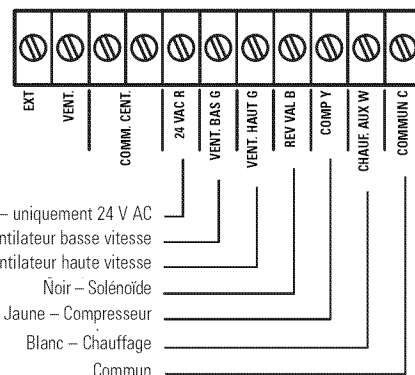
NOTE : Le réglage en Mode Classe 2 (Mode 6) doit être activé «  » pour que l'appareil fonctionne avec le thermostat mural à distance de Classe 2. (Voir les instructions d'installation fournies avec le thermostat à distance et les instructions sur les différents Modes en page 7.)

6ⁿ

Classe 2
représenté activé

IMPORTANT : Les connexions de thermostat du Zoneline ne fournissent que du courant alternatif de 24 V.

Si vous utilisez un thermostat mural numérique/électronique, vous devez le régler pour un courant alternatif de 24 V. Consultez les instructions d'installation de votre thermostat mural.



⚠ MISE EN GARDE :

Vous pouvez endommager votre thermostat mural ou les éléments électroniques de votre Zoneline en faisant de mauvais branchements. Vous devez faire bien attention en connectant les fils. Vous ne pouvez faire aucune connexion à un circuit de dérivation ayant la tension du secteur. Isolez tous les fils du bâtiment venant du secteur.

Fonction	Pompe à chaleur	Chaleur Électrique
Contrôle du gel à l'intérieur	Oui	Oui
Garde Gel	Oui	Oui
Vitesse du ventilateur auto	Non	Non
Limitation de Température Électronique	Non	Non
Basculer sur un Chauffage Électrique basé sur la Température Intérieure	Déterminé par le Thermostat à Distance	S. O.
Basculer sur un Chauffage Électrique basé sur la Température Extérieure	Oui	S. O.
Dégivrage par Inversion de Cycle	Oui	S. O.
Chauffage par Résistance Électrique et Pompe à Chaleur en simultané	Non	S. O.
Verrouillage Chauffage Électrique	Oui	S. O.
Cycle de ventilation « Ventilateur Intelligent »	Ventilateur MARCHE/AUTO réglé sur Thermostat à Distance	Ventilateur MARCHE/AUTO réglé sur Thermostat à Distance
Commande centrale	Oui	Oui

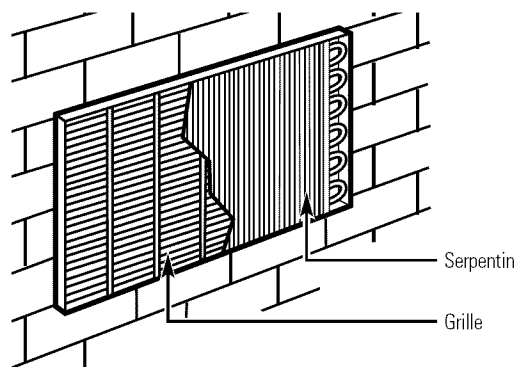
Carrosserie et boîtier côté chambre

Mettez hors circuit votre Zoneline et débranchez l'alimentation électrique.

Pour nettoyer, utiliser de l'eau et un détergent doux. N'utilisez jamais d'eau de Javel ou d'abrasif. Certains nettoyeurs commerciaux peuvent endommager les pièces en matière plastique.

Serpentin extérieur

Vous devez vérifier régulièrement le serpentin situé du côté extérieur du Zoneline. S'il est bloqué par de la poussière ou de la suie, vous pouvez le faire nettoyer professionnellement à la vapeur. Il vous sera nécessaire de retirer l'unité du mur pour inspecter les serpentins. L'accumulation de saletés se fait du côté ventilateur du serpentin extérieur.



Nettoyez le serpentin extérieur régulièrement.

Plateau

Dans certaines installations, de la saleté ou d'autres déchets pénétrer de l'extérieur dans votre appareil, et restent dans le plateau (le bas de votre appareil).

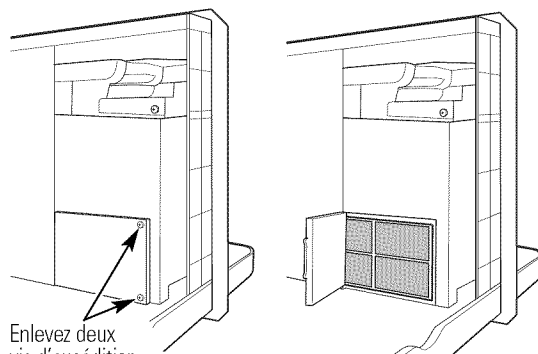
Dans certaines régions des Etats-Unis, une substance naturelle « gélatineuse » ou « visqueuse » peut s'accumuler au fond du plateau.

Vérifiez périodiquement et nettoyez le cas échéant.

Filtre de ventilation

Si la porte de ventilation est ouverte, il sera nécessaire de décrocher l'unité du mur pour y accéder. Nettoyez le filtre deux fois par an ou chaque fois que c'est nécessaire.

Mettez votre Zoneline en position OFF (arrêt) et débranchez-le avant de nettoyer.



Enlevez deux vis d'expédition (si son utilisation est requise)

Nettoyage du filtre de ventilation :

IMPORTANT :

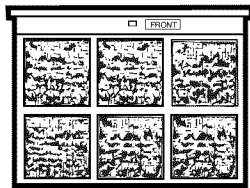
Ce filtre ne peut être ôté. L'unité peut être endommagée si vous essayez de retirer le filtre.

- Utilisez un aspirateur pour éliminer les débris du filtre.
- Utilisez un chiffon humide pour essuyer le filtre et les parties alentours après aspiration.

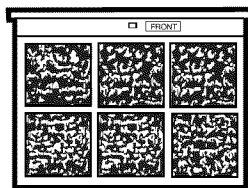
Entretien et nettoyage.

Pour obtenir un rendement optimal, nettoyez les filtres au moins tous les 30 jours.

Filtres à air



Filtre sale—doit être nettoyé



Filtre bloqué—réduit énormément le rafraîchissement, le réchauffement et la circulation d'air.

Débranchez votre Zoneline avant de le nettoyer.

Pour bien entretenir votre Zoneline, vous devez nettoyer les filtres au moins tous les 30 jours. Les filtres bouchés réduisent le rafraîchissement, le réchauffement et la circulation d'air.

Si vous nettoyez bien ces filtres, cela :

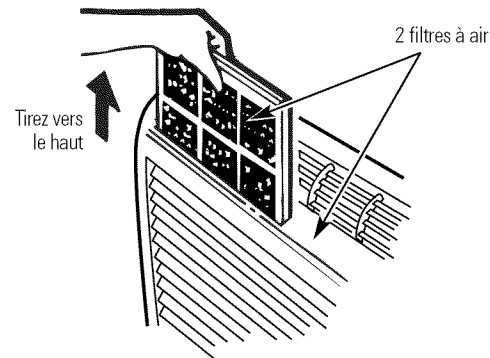
- Diminue le coût de fonctionnement.
- Économise l'énergie.
- Empêche le serpentin de l'échangeur de chaleur de se bloquer.
- Réduit le risque de panne prématurée d'éléments de votre appareil.

Nettoyage des filtres à air :

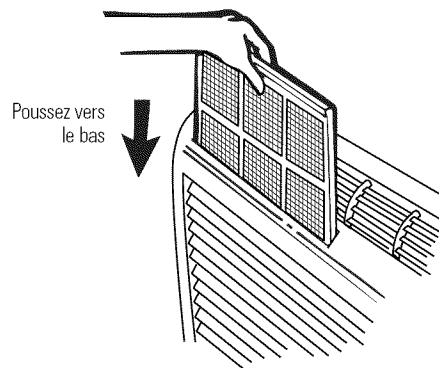
- Utilisez un aspirateur pour enlever la grosse saleté.
- Nettoyez les filtres à grande eau, en l'envoyant à l'arrière.
- Faites bien sécher avant de remettre en place.

NOTE : Les filtres à air sont interchangeables et vont à gauche ou à droite.

Enlèvement des filtres à air :



Remise en place des filtres à air :



⚠ MISE EN GARDE : Ne faites pas fonctionner votre Zoneline sans filtre en place. Si un filtre est déchiré ou endommagé, vous devez le remplacer immédiatement.

En faisant fonctionner votre Zoneline sans filtre ou avec un filtre endommagé, vous permettez à la poussière et à la saleté d'atteindre le serpentin intérieur et vous réduisez le rafraîchissement, le réchauffement, la circulation d'air et l'efficacité de votre appareil.

Les filtres de remplacement sont disponibles chez votre vendeur, votre concessionnaire GE, tout centre de service et de pièces détachées GE ou tout centre de service autorisé Customer Care®.

Instructions d'installation

Conditionneur d'air Zonline

Questions? Appelez le 1.800.561.3344 ou visitez notre site Web à l'adresse : www.electromenagersge.ca

AVANT DE COMMENCER

Lisez ces instructions complètement et attentivement.

- **IMPORTANT** – Conservez ces instructions pour votre inspecteur local.
- **IMPORTANT** – Observez tous les codes et les ordonnances en vigueur.
- **Note à l'installateur** – Assurez-vous de laisser ces instructions au consommateur.
- **Note au consommateur** – Conservez ces instructions pour références futures.
- L'installateur est responsable d'une bonne installation.
- Toute panne de l'appareil due à une mauvaise installation est exclue de la garantie.

OUTILS NÉCESSAIRES



Tournevis cruciforme

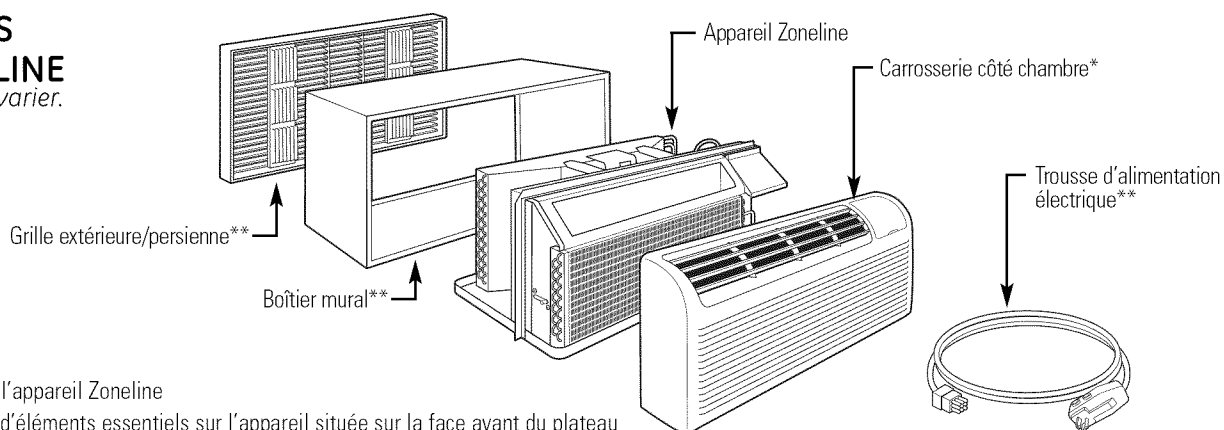
IMPORTANT : SÉCURITÉ ÉLECTRIQUE—LISEZ ATTENTIVEMENT

⚠ MISE EN GARDE :

- Suivez le Code national de l'électricité (CNE) ou vos ordonnances et codes locaux.
- Pour votre sécurité personnelle, ce Zonline doit être bien mis à la terre.
- Les appareils protecteurs (fusibles ou disjoncteurs) acceptables pour installer votre Zonline sont indiqués sur la plaque signalétique de chaque appareil.
- N'utilisez jamais de rallonge électrique avec cet appareil.
- Les fils de bâtiment en aluminium peuvent poser des problèmes particuliers—consultez un électricien qualifié.
- Quand votre appareil est en position OFF (arrêt), il reste de la tension dans les commandes électriques.
- Débranchez le courant de votre appareil avant de l'entretenir ou de le réparer en :
 - 1 Enlevant le cordon d'alimentation (le cas échéant) de la prise murale.OU
 - 2 Enlevant les fusibles du circuit de dérivation ou en débranchant les disjoncteurs de dérivation au panneau.

ÉLÉMENTS DU ZONELINE

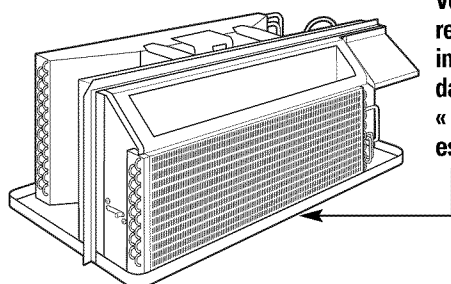
L'aspect peut varier.



* Expédiée avec l'appareil Zonline

** Vérifiez la liste d'éléments essentiels sur l'appareil située sur la face avant du plateau

REMISE EN PLACE D'UN APPAREIL EXISTANT?



Vérifiez les renseignements importants contenus dans l'étiquette « Éléments essentiels ».

Utilisez le bon boîtier mural

Cet appareil est conçu pour être installé dans un boîtier mural GE en matière plastique ou en métal isolé. Cela minimise la formation de condensation du côté de la chambre du boîtier.

Si le boîtier mural existant n'est pas isolé, vous pouvez réduire la formation de condensation en installant la trousse d'isolement RAK901L, que vous trouverez là où vous avez acheté votre appareil.

NOTE : Il y a des trous supplémentaires sur les rebords situés du côté de votre appareil, pour permettre son installation dans des boîtiers muraux autres que le boîtier GE. Pour éviter d'endommager l'isolement du rebord, l'installateur doit utiliser un poinçon ou un autre outil aiguisé pour trouser l'isolement dans les bons trous avant de visser les vis de fixation.

Utilisez la bonne grille extérieure

Vous devez utiliser les grilles extérieures indiquées sur l'étiquette « Éléments essentiels » sur le plateau.

- Si une grille existante n'est pas remise en place, la capacité et l'efficacité de l'appareil sont réduites et l'appareil peut s'arrêter de bien fonctionner ou s'arrêter complètement de fonctionner. Vous pouvez utiliser une trousse de déflecteur, RAK40, avec des grilles qui n'ont pas été conçues pour votre nouveau Zoneline GE. La trousse RAK40 contient des déflecteurs d'air et des joints que vous pouvez monter sur votre appareil pour diriger l'air chaud afin de le faire sortir loin de l'entrée d'air, de manière à permettre à l'appareil de bien fonctionner. La grille doit avoir une surface libre d'au moins 65 %.
- Vous devez enlever tout déflecteur vertical sur la grille arrière existante pour diminuer la recirculation d'air du condenseur qui peut faire arrêter et remettre en marche l'appareil et peut occasionner une panne prématurée des éléments.

Utilisez le bon cordon d'alimentation

Les codes locaux peuvent exiger l'utilisation de mécanismes de détection de fuites ou de panne d'arc sur les installations de 230/208 volts.

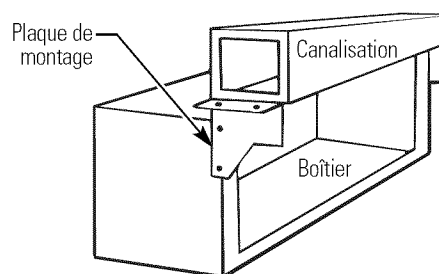
Remise en place d'un appareil canalisé

Nouvelle installation canalisée :

Si vous devez installer cet appareil dans une installation nouvelle canalisée utilisant une trousse d'adaptateur de canalisation, vous devez installer la trousse avant de placer l'appareil dans le boîtier mural. Les instructions d'installation sont contenues dans la trousse.

Trousse d'adaptateur de canalisations :


RAK6052
RAK601/602



Installations canalisées existantes :

Le remplacement d'un appareil canalisé existant peut nécessiter différents éléments. Demandez ces renseignements à votre représentant des ventes.

- **Remise en place d'appareils de 230/208 volts :**
Voir à la page 13.
- **Remise en place d'appareils de 265 volts :**
Voir aux pages 14.

Lorsque vous utilisez une trousse de canalisations, le Mode 7 doit toujours être activé «  ». Veuillez vous référer aux instructions sur les Modes en page 7.



Mode canalisé
représenté activé

Instructions d'installation

OPTIONS DE BRANCHEMENT ÉLECTRIQUE DE 230/208 VOLTS

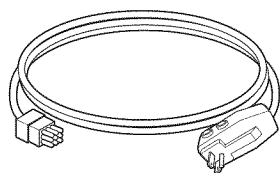
BRANCHEMENT

- 1 Enlevez la carrosserie côté chambre.
- 2 Branchez au courant électrique.
- 3 Consultez les étapes suivantes pour les tensions d'alimentation.
- 4 Ré-installez la carrosserie côté chambre.

BRANCHEMENT DE CORDON D'ALIMENTATION

Une trousse d'alimentation électrique avec LCDI doit être utilisée pour l'alimentation électrique du Zoneline. La bonne trousse dépend de la tension, le mécanisme de branchement électrique et l'ampérage du circuit de dérivation.

Le branchement à un circuit de 208 ou de 230 volts peut se faire avec une trousse d'alimentation électrique ou une trousse de boîte de dérivation.



L'aspect peut varier.

Trousse d'alimentation électrique

Vous devez faire tout le câblage, y compris l'installation de la prise de courant, conformément au CNE et aux ordonnances, règlements et codes locaux. Les codes exigent l'utilisation d'un mécanisme de détection de panne d'arc ou de courant de fuite sur le cordon d'alimentation sauf en raccordement direct. Assurez-vous de choisir le bon cordon d'alimentation pour votre installation.



Tandem
15 amp.



Perpendiculaire
20 amp.



Grosse tandem
30 amp.

Configuration de prise 230/208 volts.

Intensité en ampères du circuit de dérivation et de l'appareil	Bon cordon d'alimentation GE avec mécanisme LCDI
15	RAK3153
20	RAK3203
30	RAK3303*

*Non approuvé pour utilisation sur les modèles de 7000 BTU.

Les cordons d'alimentation peuvent comprendre un mécanisme d'interruption en cas de détection de courant de fuite ou d'interruption de panne d'arc. Un bouton d'essai et de remise en marche est fourni sur le boîtier de la prise ou sur le boîtier en ligne. Vous devez essayer le mécanisme périodiquement en appuyant d'abord sur le bouton TEST (essai) puis sur le bouton RESET (remise en marche). Si le bouton TEST (essai) ne bascule pas ou si le bouton RESET (remise en marche) ne reste pas enfoncé, cessez d'utiliser votre Zoneline et appelez un technicien de service qualifié.

BRANCHEMENT DE SOUS-BASE ÉLECTRIQUE

Vous pouvez installer les modèles 230/208 volts en utilisant l'une des sous-bases électriques suivantes :

Intensité en ampères du circuit de dérivation et de l'appareil	Bonne trousse de sous-base GE
15	RAK204D15P
20	RAK204D20P
30	RAK204D30P*

*Non approuvé pour utilisation sur les modèles de 7000 BTU.

Les sous-bases électriques fournissent une enceinte pour branchement direct ou des prises closes. Le cordon d'alimentation est compris dans la trousse de sous-base.

Vous devez suivre soigneusement les instructions fournies avec la trousse choisie de sous-base. L'installateur est responsable d'assurer que les éléments soient branchés conformément à ces instructions et à tous les codes électriques.

BRANCHEMENT DIRECT

Commandez la trousse suivante pour un branchement direct 230/208 volts, au besoin :

Intensité en ampères du circuit de dérivation et de l'appareil	Accessoire d'alimentation électrique	Trousse d'alimentation électrique
15	RAK4002A	RAK4157
20	RAK4002A	RAK4207
30	RAK4002A	RAK4307*

*Non approuvé pour utilisation sur les modèles de 7000 BTU.

Passez à la section « BRANCHEMENT ÉLECTRIQUE DE L'APPAREIL ».

Instructions d'installation

OPTIONS DE BRANCHEMENT ÉLECTRIQUE DE 265 VOLTS

AVERTISSEMENT :

Vous **DEVEZ** brancher ce produit alimenté par courant alternatif de 265 volts au circuit de dérivation par branchement direct conformément au Code national d'électricité. Le Code n'autorise pas le branchement de votre appareil à une prise exposée montée sur le bâtiment. Vous devez installer ces modèles à l'aide de la bonne trousse d'alimentation électrique GE pour l'ampérage du circuit de dérivation et la puissance du chauffage à résistance électrique désirée. Utilisez le Tableau de contact électrique, page 16, pour déterminer la bonne trousse requise. Vous devez utiliser l'une des méthodes suivantes d'installation (A ou B).

A. INSTALLATION AVEC SOUS-BASE

Des trousse de sous-bases électriques sont disponibles pour fournir une enceinte flexible pour branchement direct.

<i>Intensité en ampères du circuit de dérivation et de l'appareil</i>	<i>Bonne trousse de sous-base GE</i>	<i>Trousse d'alimentation électrique</i>
15	RAK204E15	RAK5172
20	RAK204E20	RAK5202
30	RAK204E30	RAK5302*

*Non approuvé pour utilisation sur les modèles de 7000 BTU.

Vous devez suivre soigneusement les instructions fournies avec la trousse choisie de sous-base. L'installateur est responsable de s'assurer que les éléments soient branchés conformément à ces instructions et à tous les codes électriques.

B. INSTALLATION AVEC BRANCHEMENT DIRECT

Si vous n'utilisez pas une sous-base électrique, vous devez brancher directement au câblage du circuit de dérivation à l'intérieur de la boîte de dérivation fournie en suivant les étapes suivantes.

Commandez la trousse suivante pour un branchement direct 265 volts, au besoin :

<i>Intensité en ampères du circuit de dérivation et de l'appareil</i>	<i>Trousse d'alimentation électrique</i>
15	RAK5157
20	RAK5207
30	RAK5307*

*Non approuvé pour utilisation sur les modèles de 7000 BTU.

Allez à la section « BRANCHEMENT ÉLECTRIQUE DE L'APPAREIL ».

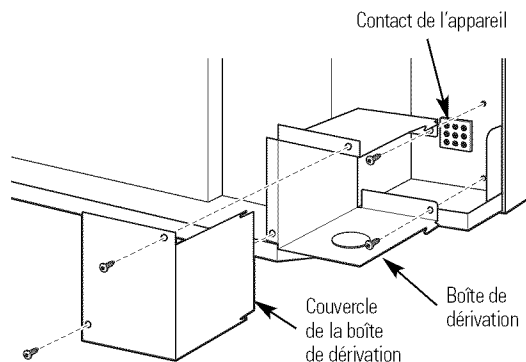
NOTE : Commandez la trousse RAK4002CW pour permettre un débranchement rapide à l'intérieur de la boîte de dérivation.

Instructions d'installation

BRANCHEMENT ÉLECTRIQUE DE L'APPAREIL

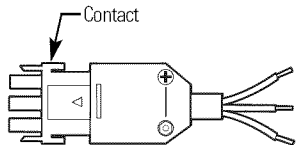
1 ENLEVEZ LA BOÎTE DE DÉRVATION

- 1 Enlevez le couvercle de la boîte de dérivation en enlevant les deux vis de devant.
- 2 Enlevez la boîte de dérivation en enlevant les vis de l'arrière situées en haut et en bas. Notez la manière dont les taquets situés au bas à gauche de la boîte de dérivation servent à tenir le côté en place. Cela vous aidera à réinstaller la boîte.



2 BRANCHEZ LE CORDON

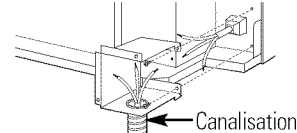
Branchez bien le connecteur, qui est fourni dans la trousse de branchement direct, dans le connecteur correspondant de l'appareil. Assurez-vous de bien engager les taquets qui verrouillent les côtés.



NOTE : Commandez la trousse RAK4002CW pour permettre un débranchement rapide à l'intérieur de la boîte de dérivation.

3 FIXEZ LA CANALISATION

- 1 Utilisez l'alvéole défonçable en bas de la boîte de dérivation pour fixer la canalisation qui vient du circuit de dérivation. Enlevez l'alvéole, fixez la canalisation et amenez les fils dans la boîte de dérivation. Laissez 6 po de fils libres à l'extrémité de la canalisation pour pouvoir faire les branchements.



- 2 Si vous devez utiliser un fusible ou un porte-fusible, l'alvéole défonçable située en haut de la boîte sert à fixer un porte-fusible Buss. Assurez-vous que le fusible et le porte-fusible aient la même puissance que le circuit de dérivation. Les fils de connexion au fusible peuvent être soudés en place, ou fixés à l'aide de contacts à sertir femelles (prise) de 1/4 po homologués UL. Suivez les normes locaux.

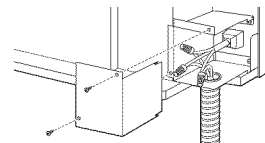
4 RÉ-INSTALLEZ LA BOÎTE DE DÉRVATION

- Ré-installez la boîte de dérivation en engageant les taquets de gauche situés sur la façade droite en bas de l'unité, en alignant les trous de vis en haut et en bas et en faisant passer les deux vis et les vissant jusqu'à ce qu'elles tiennent bien. Assurez-vous que tous les fils de connexion soient à l'intérieur de la boîte et ne soient pas coincés entre la boîte et l'appareil. Le fil de connexion vert isolé en provenance de l'appareil **DOIT** être connecté au fil de mise à la terre du circuit de dérivation.

Faites tous les contacts de fils à l'aide des bons contacts et techniques électriques U/L (noir à noir, blanc à blanc et vert à vert).

5 RÉ-INSTALLEZ LE COUVERCLE DE LA BOÎTE DE DÉRVATION

- 1 Groupez tous les fils et les contacts dans la boîte de dérivation. Assurez-vous qu'il n'y ait aucun contact lâche ou de fils non isolés exposés.
- 2 Placez le couvercle de la boîte de dérivation en place. Remettez en place les deux vis enlevées plus tôt et serrez fort.



Instructions d'installation

TABLEAU DE CONTACT ÉLECTRIQUE

Branchements de cordon d'alimentation

Trousse d'alimentation électrique 230/208 volts avec mécanisme de détection de courant	Configuration de prise murale	Mécanisme de protection de circuit	Puissance du chauffage @ 230/208 Volts
RAK3153 RAK3203 RAK3303*	Tandem Perpendiculaire Gros tandem	Fusible délai/disjoncteur de 15 amp Fusible délai/disjoncteur de 20 amp Fusible délai/disjoncteur de 30 amp	2,55/2,09 KW 3,45/2,82 KW 5,00/4,10 KW

Branchements directs

Trousse d'alimentation électrique 230/208 volts	Mécanisme de protection de circuit	Puissance du chauffage @ 230/208 Volts
RAK4157 RAK4207 RAK4307*	Fusible délai/disjoncteur de 15 amp Fusible délai/disjoncteur de 20 amp Fusible délai/disjoncteur de 30 amp	2,55 KW/2,09 KW 3,45 KW/2,82 KW 5,00 KW/4,10 KW

Trousse d'alimentation électrique 265 volts	Mécanisme de protection de circuit	Puissance du chauffage @ 265 Volts
RAK5157 RAK5207 RAK5307*	Fusible délai/disjoncteur de 15 amp Fusible délai/disjoncteur de 20 amp Fusible délai/disjoncteur de 30 amp	2,55 KW 3,45 KW 5,00 KW

*Non approuvé pour utilisation sur les modèles de 7000 BTU.

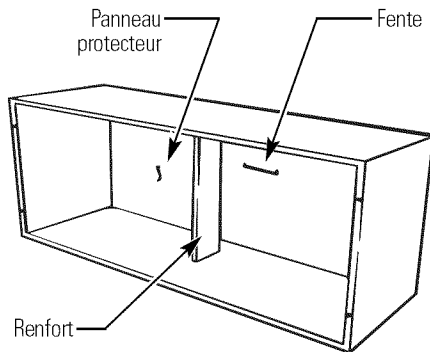
Instructions d'installation

INSTALLATION DU ZONELINE

1 INSTALLATION DU BOÎTIER MURAL ET DE LA GRILLE EXTÉRIEURE

Vous devez bien installer le boîtier mural RAB77A4 ou la série RAB71A, conformément aux instructions comprises dans le boîtier.

- Enlevez le renfort en carton et le panneau protecteur extérieur. Utilisez la fente dans le panneau extérieur pour soutenir votre main et faites sortir en poussant.



- Installez la grille extérieure à partir de la chambre en suivant les instructions contenues dans la grille.

Boîtier mural isolé

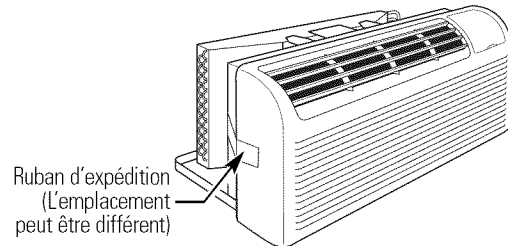
Cette unité est conçue pour être installée dans un boîtier mural en matière plastique GE ou en acier isolé. Cela minimise la formation de condensation du côté chambre du boîtier.

Les boîtiers muraux de la série RAB71A sont isolés. La trousse d'isolement RAK901L est disponible pour une utilisation avec le modèle RAB77A4 ou des boîtiers muraux non isolés existants, le cas échéant.

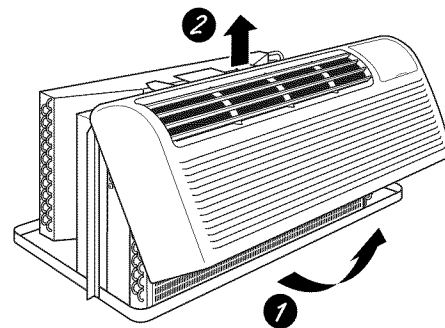
NOTE : Pour l'isolement avec une sous-base ou un adaptateur de canalisation, consultez les instructions contenues dans ces trousse.

2 PRÉPARATION DE L'APPAREIL

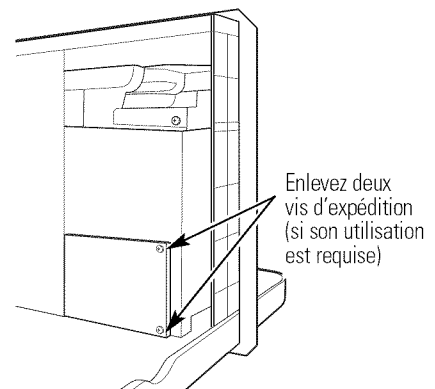
- Enlevez avec soins le ruban d'expédition et les blocs d'expédition en mousse de la carrosserie côté chambre, le compresseur et de la porte de ventilation. Il peut y avoir plusieurs blocs et morceaux de ruban d'expédition à enlever.



- Enlevez la carrosserie côté chambre en la tirant en bas pour la libérer (1), puis soulevez pour quitter le rail le long du haut de l'appareil (2).



- Pour faire fonctionner la porte de ventilation, enlevez les vis d'expédition du côté avant de la porte de ventilation, le cas échéant.

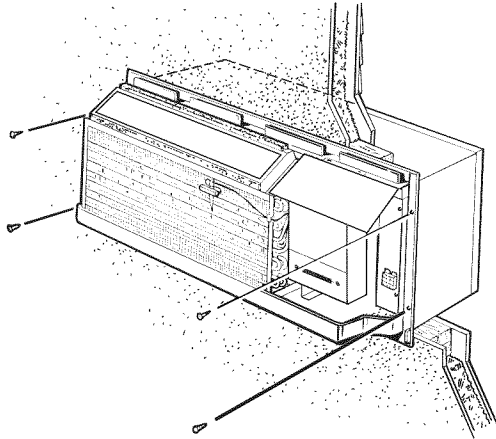


Instructions d'installation

INSTALLATION DU ZONELINE (suite)

3 INSTALLATION DE L'APPAREIL DANS LE BOÎTIER MURAL

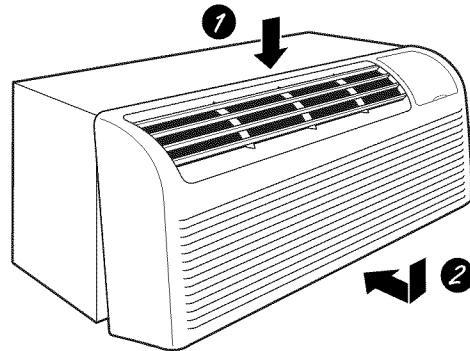
Faites glisser l'appareil dans le boîtier mural et fixez avec quatre vis en les faisant passer par les trous de la bride de l'appareil.



NOTE : Il y a des trous supplémentaires sur les rebords situés du côté de votre appareil, pour permettre son installation dans des boîtiers muraux autres que le boîtier GE. Pour éviter d'endommager l'isolement du rebord, l'installateur doit utiliser un poinçon ou un autre outil aiguisé pour trouser l'isolement dans les bons trous avant de visser les vis de fixation.

4 REMISE EN PLACE DU BOÎTIER CÔTÉ CHAMBRE

Ré-installez le boîtier côté chambre en accrochant le haut sur le rail du haut de l'appareil (1) puis en poussant le boîtier en bas (2).



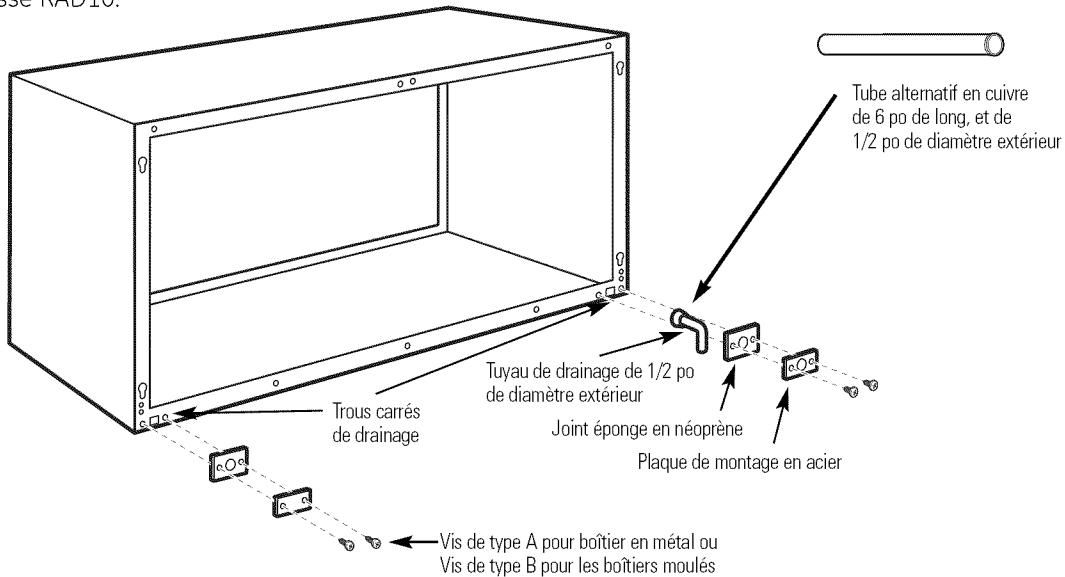
Instructions d'installation

EN OPTION—INSTALLATION DE LA TROUSSE DE DRAINAGE

Les modèles Dry Air Série 25 sont conçus pour améliorer la déshumidification de 25 %. Comme l'air perdra davantage d'humidité, cela augmente la possibilité que de l'eau coule du boîtier mural, par rapport à un appareil normal. Pour empêcher cette eau de couler à l'intérieur des murs extérieurs du bâtiment, nous vous recommandons d'utiliser une trousse de drainage RAD10.

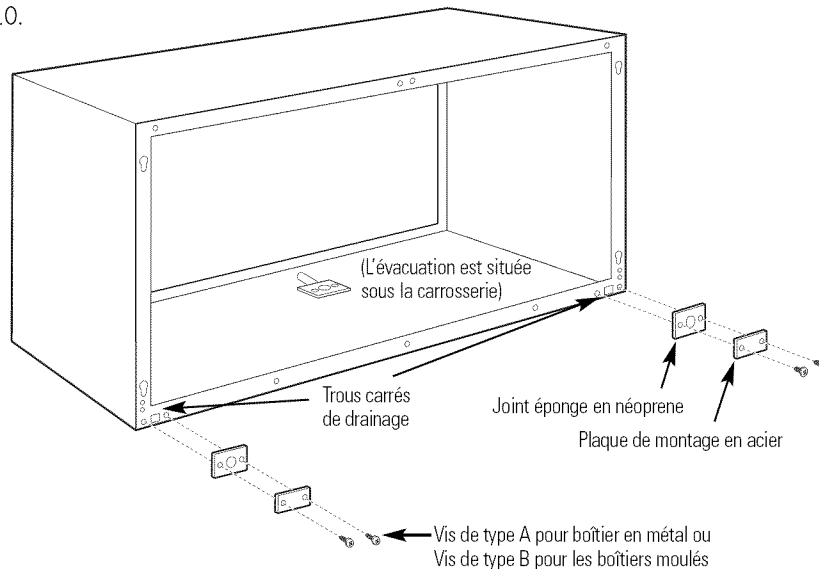
Drainage extérieur

Consultez les instructions d'installation dans la trousse RAD10.



Drainage intérieur

Consultez les instructions d'installation dans la trousse RAD10.



Avant d'appeler un réparateur...



Conseils de dépannage—Économisez du temps et de l'argent!
Consultez d'abord les tableaux qui suivent et vous pourrez peut-être éviter de faire appel à un réparateur.

Problème	Causes possibles	Correctifs
Le Zoneline ne se met pas en marche	L'appareil est débranché.	<ul style="list-style-type: none"> Assurez-vous de bien pousser la fiche du Zoneline dans la prise.
	Le cordon d'alimentation n'est pas bien branché.	<ul style="list-style-type: none"> Enlevez la carrosserie côté chambre et assurez-vous que le connecteur jaune à l'extrémité du cordon d'alimentation soit bien branché.
	Le fusible a sauté/ le disjoncteur a basculé.	<ul style="list-style-type: none"> Vérifiez le fusible/la boîte à fusibles de la maison et remplacez le fusible ou rebranchez le disjoncteur.
	L'appareil attend que le protecteur de surcharge du compresseur se remette en marche.	<ul style="list-style-type: none"> C'est normal. Le Zoneline se remettra en marche après la remise en marche du protecteur.
	Panne de courant.	<ul style="list-style-type: none"> S'il se produit une panne de courant, réglez la commande de mode en position STOP (arrêt). Quand le courant revient, réglez la commande de mode dans la position désirée. Il y a un délai de protection (jusqu'à 3 minutes) pour empêcher le déclenchement de la surcharge de compresseur. Aussi, l'appareil peut ne commencer à réchauffer ou à rafraîchir normalement qu'après un délai de 3 minutes.
Le Zoneline ne rafraîchit pas ou ne réchauffe pas autant qu'il devrait	Le mécanisme d'interruption de courant est déclenché.	<ul style="list-style-type: none"> Appuyez sur le bouton RESET (remise en marche) situé sur la fiche du cordon électrique ou sur le boîtier près de la fiche. Si le bouton RESET (remise en marche) ne reste pas enfoncé, arrêtez le Zoneline et appelez un technicien qualifié.
	L'entrée d'air de l'extérieur est réduite.	<ul style="list-style-type: none"> Assurez-vous qu'il n'y ait pas de rideau, de tenture ou de meuble qui bloque l'avant du Zoneline.
	La circulation de l'air extérieur est réduite ou l'air recircule.	<ul style="list-style-type: none"> Assurez-vous que la grille d'air ne soit pas bouchée. Cela peut faire arrêter l'appareil à cause du protecteur de surcharge du compresseur. La grille extérieure doit avoir au moins 65 % de surface libre. Les grilles qui ne sont pas GE peuvent être trop petites pour bien fonctionner. Consultez votre vendeur pour obtenir de l'aide.
	La commande de température peut ne pas avoir été bien réglée.	<ul style="list-style-type: none"> Réglez la commande à une température plus basse ou plus élevée. NOTE : Le réducteur de température peut limiter la portée de la température.
	Le filtre d'air est sale.	<ul style="list-style-type: none"> Nettoyez le filtre au moins tous les 30 jours. Consultez la section <i>Fonctionnement</i>.
	La chambre peut avoir été chaude ou froide.	<ul style="list-style-type: none"> Quand vous mettez en marche pour la première fois le Zoneline, vous devez donner à la chambre le temps de se réchauffer ou de se rafraîchir.
De l'air de l'extérieur entre dans la chambre.	<ul style="list-style-type: none"> Réglez la commande en position fermé. 	

Problème	Causes Possibles	Correctifs
<i>Odeur de brûlé au début des opérations de réchauffement</i>	Il y a de la poussière sur l'élément de chauffage.	<ul style="list-style-type: none"> Cela peut occasionner une odeur de brûlé au début des opérations de réchauffement. Cette odeur doit disparaître rapidement.
<i>L'air n'est pas toujours chaud ou froid pendant le fonctionnement</i>	La pompe à chaleur ne produit pas d'air chaud.	<ul style="list-style-type: none"> C'est normal. La pompe à chaleur produit de l'air chaud, mais pas aussi chaud que l'air produit quand la chaleur électrique à haut coût est utilisée.
	Les commandes auxiliaires du Ventilateur intelligent peuvent être réglées sur Ventilation en Continu.	<ul style="list-style-type: none"> Le ventilateur souffle de l'air à la température ambiante, même quand le compresseur ou le chauffage s'arrête. Le mouvement d'air continu fournit une meilleure commande de la température en mode de refroidissement. Voir <i>Ventilateur intelligent—Refroidissement/Chauffage</i> à la page 5.
<i>L'air ne semble pas suffisamment chaud pendant l'opération de réchauffement</i>	La pompe à chaleur produit seule de l'air qui semble plus froid que désiré.	<ul style="list-style-type: none"> Utilisez l'option de réchauffement électrique. Cela arrête la pompe à chaleur et réchauffe uniquement avec le chauffage électrique. NOTE : L'utilisation de cette option occasionne une augmentation de la consommation d'énergie.
<i>L'appareil ne souffle pas d'air</i>	Les commandes auxiliaires du Ventilateur intelligent peuvent être réglées sur Ventilation par Intermittence.	<ul style="list-style-type: none"> Voir <i>Ventilateur intelligent—Refroidissement/Chauffage</i> à la page 5.
<i>La caractéristique de réchauffement électrique ne fonctionne pas</i>	Le cordon d'alimentation n'est pas bien branché.	<ul style="list-style-type: none"> Enlevez la carrosserie côté chambre et assurez-vous que le connecteur jaune à l'extrémité du cordon d'alimentation soit bien branché.
<i>L'afficheur de température clignote</i>	Le compresseur pourrait être défectueux.	<ul style="list-style-type: none"> Réglez la commande de fonctionnement à STOP puis redémarrez l'appareil. Si le témoin clignotant réapparaît dans les 30 minutes qui suivent, appelez un réparateur.

Mesures de sécurité

Fonctionnement

Entretien et nettoyage

Conseils de dépannage

Soutien au consommateur

Ces bruits sont normaux.

Bruits normaux de fonctionnement

PING! POP!


Vous pouvez entendre un ping causé par de l'eau qui est ramassée et envoyée contre le condensateur un jour pluvieux ou très humide. Cette caractéristique diminue l'humidité et améliore l'efficacité de l'appareil.

"CLIC"

Vous pouvez entendre les relais cliqueter quand les commandes arrêtent et mettent en marche l'appareil, ou s'ajustent pour changer la température ambiante.

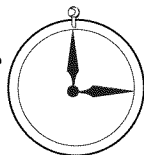
DÉGOUTTEMENT


De l'eau s'amassera dans le plateau les jours pluvieux ou de grande humidité. L'eau peut déborder et couler du côté extérieur de l'appareil.

OUIR!


Le ventilateur intérieur fonctionne continuellement quand l'appareil fonctionne en mode de refroidissement, à moins que le commutateur de ventilateur sous la carrosserie côté chambre soit réglé en cycle ventilateur (UP, vers le haut). Cela fait démarrer et arrêter le ventilateur avec le compresseur. Vous pouvez aussi entendre un bruit de ventilateur quand il s'arrête et se met en marche.

**Délai de
3 minutes**



Vous pouvez noter un délai de quelques minutes quand vous essayez de remettre en marche votre Zoneline trop tôt après l'avoir arrêté ou si vous ajustez le thermostat juste après l'arrêt du compresseur. C'est dû à un mécanisme intégré de protection du compresseur en cas de remise en marche qui occasionne un délai de 3 minutes.

SILENCE

Pendant le cycle de dégel, le ventilateur intérieur et le ventilateur extérieur s'arrêtent et le compresseur fonctionne en mode de rafraîchissement pour dégeler le serpentin extérieur. Après ce dégel, l'appareil se remet en marche en mode de chauffage électrique pour réchauffer rapidement la chambre à la température désirée.

**PROTECTION DU
COMPRESSEUR**

Pour protéger le compresseur et éviter des arrêts et des remises en marche répétés, l'appareil est conçu pour fonctionner au moins 3 minutes après la mise en marche du compresseur à n'importe quel réglage de thermostat.

Garantie Zonline.

www.electromenagersge.ca



Tout le service en vertu de la garantie est offert par nos centres de service d'usine ou par un technicien autorisé de Customer Care®. Pour obtenir le service, contactez Gordon Williams Corp. au 1.888.209.0999. Veuillez fournir le numéro de série et le numéro de modèle lorsque vous appelez pour obtenir le service.

Agrafez le reçu d'achat ici. Pour obtenir le service sous garantie, vous devrez fournir la preuve de l'achat original.

Pour la période de :	GE remplacera gratuitement :
Un an À compter de la date d'achat original	Toute pièce du Zonline présentant un défaut dû au matériel ou à la main-d'oeuvre. Au cours de cette garantie limitée d'un an , GE couvrira gratuitement les frais de main d'oeuvre et de service connexe pour le remplacement de la pièce défectueuse.
Cinq ans À compter de la date d'achat original	Toute pièce du système scellé de réfrigération (compresseur, condenseur, évaporateur et tuyauterie) présentant un défaut dû au matériel ou à la main-d'oeuvre. Au cours de cette garantie limitée supplémentaire de quatre ans , GE couvrira gratuitement les frais de main d'oeuvre et de service connexe pour le remplacement de la pièce défectueuse.
Cinq ans À compter de la date d'achat original	De la deuxième à la cinquième année depuis la date d'achat original, GE remplacera certaines pièces qui présentant un défaut dû au matériel ou à la main-d'oeuvre. Les pièces couvertes sont les moteurs de ventilateur, les commutateurs, les thermostats, le chauffage, les protecteurs de chauffage, la surcharge de compresseur, les solénoïdes, les cartes de circuit imprimé, les thermistances, les commandes de gel, la pompe ICR, les condensateurs, les variateurs et le roulement à bille de la souffeuse intérieure. Pendant cette garantie limitée supplémentaire de quatre ans , vous serez de tous les frais de main-d'oeuvre et de service connexe.

Ce qui n'est pas couvert :

- Toute visite à votre site pour vous expliquer le fonctionnement de l'appareil.
- Une installation, livraison ou entretien inadéquate.
Si vous avez un problème d'installation, ou si l'appareil de conditionnement d'air ne rafraîchit pas suffisamment à votre goût, appelez votre revendeur ou votre installateur. Vous êtes responsable de fournir une installation adéquate de branchement électrique.
- Dans des locaux commerciaux, la main-d'oeuvre nécessaire pour transporter l'appareil jusqu'à un emplacement où il peut être réparé ou entretenu par un technicien qualifié.
- Toute panne ou tout dommage occasionné par la corrosion due à l'installation ou à un milieu contenant des produits chimiques corrosifs.
- Le remplacement des fusibles ou le réenclenchement des disjoncteurs.
- Toute panne de l'appareil résultant de modifications à l'appareil ou occasionnée par une utilisation non raisonnable, en particulier un manquement de fournir un entretien raisonnable et nécessaire.
- Toute panne ou dommage résultant d'une corrosion due à une installation à proximité de la mer, sauf s'il s'agit d'un modèle traité à l'usine contre la corrosion, comme l'indique son numéro de modèle.
- Tout dommage au produit attribuable à un voltage impropre d'alimentation électrique, un accident, un incendie, une inondation ou un cas de force majeure.
- Tout dommage direct ou indirect à la propriété privée causé en raison d'une défectuosité éventuelle de cet appareil.
- Tout dommage subi après livraison.
- Le service s'il est impossible d'avoir accès au produit pour ce faire.

EXCLUSION DE GARANTIES IMPLICITES – Votre seul et unique recours est la réparation du produit selon les dispositions de cette Garantie limitée. Toutes les garanties implicites, incluant les garanties de commercialité et d'adéquation à un usage spécifique, sont limitées à une année ou à la période la plus courte autorisée par la législation.

Cette garantie couvre l'acheteur original et tout possesseur subséquent de produits achetés pour un usage au Canada. Si le produit est installé dans une région où ne se trouve aucun réparateur autorisé GE, vous devrez peut-être assumer les frais de transport ou apporter expédier le produit à un centre de service autorisé GE.

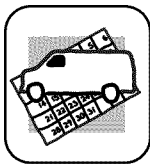
Certaines provinces ne permettent pas l'exclusion ou la limitation des dommages indirects ou consécutifs et, par conséquent, l'exclusion ci-dessus peut ne pas s'appliquer à vous. Cette garantie vous donne des droits juridiques particuliers et vous pouvez également avoir d'autres droits qui varient d'une province à l'autre. Pour connaître vos droits juridiques dans votre province, consultez votre bureau local ou provincial de protection des consommateurs.

Soutien au consommateur.



Site Web appareils électroménagers GE www.electromenagersge.ca

Vous avez une question ou vous avez besoin d'aide pour votre appareil électroménager? Contactez-nous par Internet au site www.electromenagersge.ca 24 heures par jour, tous les jours de l'année.

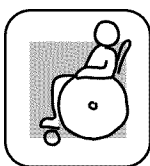


Service de réparations

1.800.561.3344

Service de réparations GE est tout près de vous.

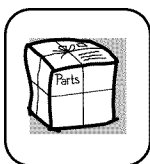
Pour faire réparer votre électroménager GE, il suffit de nous téléphoner.



Studio de conception réaliste

Sur demande, GE peut fournir une brochure sur l'aménagement d'une cuisine pour les personnes à mobilité réduite.

Écrivez: Directeur, Relations avec les consommateurs, Mabe Canada Inc.
Bureau 310, 1 Factory Lane
Moncton, N.B. E1C 9M3

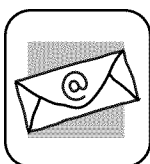


Pièces et accessoires

Ceux qui désirent réparer eux-mêmes leurs électroménagers peuvent recevoir pièces et accessoires directement à la maison (cartes VISA, MasterCard et Discover acceptées).

Les directives stipulées dans le présent manuel peuvent être effectuées par n'importe quel utilisateur. Les autres réparations doivent généralement être effectuées par un technicien qualifié. Soyez prudent, car une réparation inadéquate peut affecter le fonctionnement sécuritaire de l'appareil.

Vous trouverez dans les pages jaunes de votre annuaire le numéro du Centre de service Mabe le plus proche. Autrement, appelez-nous au 1.800.661.1616.



Contactez-nous

Si vous n'êtes pas satisfait du service après-vente dont vous avez bénéficié :

Premièrement, communiquez avec les gens qui ont réparé votre appareil.

Ensuite, si vous n'êtes toujours pas satisfait envoyez tous les détails—numéro de téléphone compris—au
Directeur, Relations avec les consommateurs, Mabe Canada Inc.
Bureau 310, 1 Factory Lane
Moncton, N.B. E1C 9M3



Inscrivez votre appareil électroménager

Inscrivez votre appareil électroménager en direct, aussitôt que possible. Cela améliorera nos communications et notre service après-vente. Vous pouvez également nous envoyer par la poste le formulaire d'inscription joint à votre documentation.



Zoneline® Acondicionador de aire

Instrucciones de seguridad2

Instrucciones de operación

Cómo retirar el gabinete del ambiente4

Control de ventilación4

Controles3

Controles auxiliares5-8

Dirección del aire4

Cuidado y limpieza

Bandeja de la base9

Filtro de ventilación9

Filtros de aire10

Gabinete del ambiente y montante9

Serpentinas externas9

Instrucciones de instalación

Conexión eléctrica13-16

¿Desea cambiar una unidad ya instalada?12

Instalación del acondicionador de aire Zoneline17, 18

Kit de drenaje opcional19

Preparación11

Solucionar problemas20, 21

Sonidos normales de operación22

Soporte al consumidor

Garantía23

Soporte al consumidor24

Manual del propietario e instrucciones de instalación

Modelo de refrescar/calentar 4100

Modelo de bomba de calor 6100

Escriba los números de modelo y serie aquí:

de Modelo _____

de Serie _____

Estos números se encuentran en una etiqueta ubicada detrás del gabinete del ambiente sobre la bandeja de la base.

INFORMACIÓN IMPORTANTE DE SEGURIDAD. LEA TODAS LAS INSTRUCCIONES ANTES DE USAR.

Seguridad

⚠ ¡ADVERTENCIA!

Por su seguridad, se debe seguir la información en este manual para minimizar el riesgo de incendio o explosión, descargas eléctricas, o para evitar daños a la propiedad, lesiones personales, o la muerte.



PRECAUCIONES DE SEGURIDAD

Operación

- Antes de iniciar su uso, el acondicionador de aire Zonline debe instalarse correctamente según las Instrucciones de instalación. Ver las Instrucciones de instalación en la parte trasera de este manual.
- Reemplace inmediatamente todos los cables eléctricos que se hayan pelado o que se hayan dañado de alguna otra manera. Un cable de corriente dañado no debe repararse, sino que debe ser sustituido por uno nuevo que se adquiera del fabricante. No use un cable eléctrico que muestre evidencias de deterioro, o daños de abrasión en su superficie en alguno de sus extremos.
- Desenchufe o desconecte el Zonline desde la caja de fusibles o el disyuntor antes de realizar cualquier tipo de reparación.
- Los sistemas de acondicionador de aire R410A requieren que los contratistas y técnicos utilicen herramientas, equipamiento y normas de seguridad aprobadas para su uso con este refrigerante. **NO utilice equipamiento certificado sólo para refrigerante R22.**

¿Desea reemplazar una unidad ya instalada?

Para más detalles, ver las Instrucciones de instalación en este manual.

Cuidado y limpieza

Solucionar problemas

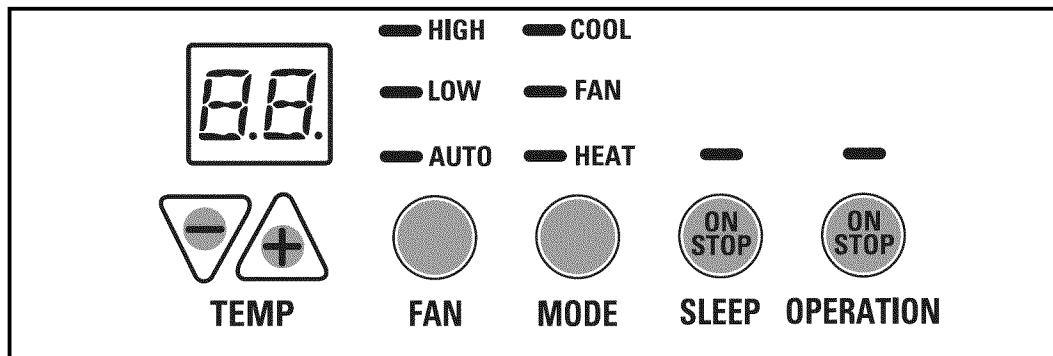
NOTA: Recomendamos enérgicamente que cualquier servicio llevado a cabo en este equipo lo realice un individuo calificado.



LEA Y SIGA ESTAS INSTRUCCIONES DE SEGURIDAD
CUIDADOSAMENTE.

GUARDE ESTAS INSTRUCCIONES

SopORTE al consumidor



CONTROL DE TEMPERATURA

OPERACIÓN DE VENTILADOR, MODO Y SUSPENSIÓN

Controles



1 Control de temperatura

El control de temperatura se usa para mantener la temperatura ambiente. El compresor se encenderá y apagará para mantener la habitación al mismo nivel de comodidad.

Pulse el botón ▲ para subir la temperatura.

Pulse el botón ▼ para bajar la temperatura.

NOTA: La pantalla muestra la temperatura configurada, no la temperatura ambiente.

2 Suspensión

Pulse para configurar el acondicionador de aire para que funcione durante 8 horas antes de que vuelva automáticamente a la configuración anterior.

Cuando esté en el modo de enfriamiento y se active el apagado automático, la temperatura establecida aumentará automáticamente 2°F (-1,1°C) después de la segunda hora y luego 1°F (-0,6°C) cada hora durante las dos horas siguientes. Además, la velocidad del ventilador cambiará a lenta. Cuando esté en el modo de calefacción, la temperatura establecida bajará de la misma manera.

Para cancelar el apagado automático, pulse el botón **MODE** o el botón **SLEEP** otra vez.

2 Control del ventilador, modo y operación

FAN—Establece la operación del ventilador a la velocidad **ALTA (HIGH)**, **BAJA (LOW)** o **AUTOMÁTICA (AUTO)**. Cuando se pone en **AUTO**, se cambia automáticamente entre **LOW** y **HIGH** según cambie la temperatura ambiente.

MODO—COOL—Para enfriamiento

FAN—Para la operación del ventilador únicamente

HEAT—Para calefacción

OPERATION—ON/STOP (ENCENDIDO/DETERNER)—

Enciende o apaga la unidad. La electricidad permanece conectada al Zoneline. Las características de Freeze/Heat Sentinel (monitor de congelamiento/calor) siguen funcionando si se encuentra activo. Consulte la sección de *Monitor de congelación/Monitor de calor de la página 6*.

NOTA: El visualizador de la temperatura mostrará una luz intermitente para indicar una posible falla de la unidad. Establezca el control de operación en **STOP** (detener) y luego encienda de nuevo la unidad. Si la luz intermitente aparece de nuevo en menos de 30 minutos, llame para solicitar servicio.

Recuperación rápida de calor

Se activa cada vez que se cambia el termostato del modo **STOP** (apagado) o **COOL** (frío) al modo **HEAT** (calor). Los calefactores eléctricos se activan hasta que se haya alcanzado el punto definido del termostato. En los modelos con bomba de calor, la operación de esta bomba continuará en la siguiente activación de calor.

Sobre la bomba de calor (Sólo serie 6100)

Se puede ahorrar dinero mediante el uso de las bombas de calor, ya que toman el calor del aire exterior—incluso cuando la temperatura externa se encuentra por debajo del punto de congelación—y lo liberan dentro de la habitación.

A fin de obtener el mejor desempeño de su bomba de calor, no modifique el termostato ambiental muy a menudo. Si eleva la configuración de calor en 2-3 grados, el Zoneline comenzará a utilizar sus elementos eléctricos de calentamiento para alcanzar rápidamente la nueva configuración de temperatura.

Para prevenir un encendido y apagado inmediato, el compresor se toma un mínimo de tres minutos para cambiar a cualquier configuración.

El motor de ventilación interna comienza a funcionar antes que el compresor y se detiene después de que éste último se haya apagado.

Cuando la temperatura exterior es inferior a 25°F (-3,8°C), el aire acondicionado recibe el calor del calentador eléctrico en vez de hacerlo desde la bomba de calor.

Los elementos eléctricos de calentamiento utilizan mucha más electricidad que las bombas de calor, y su operación resulta más costosa.

Otras características del Zonline.

Control de ventilación

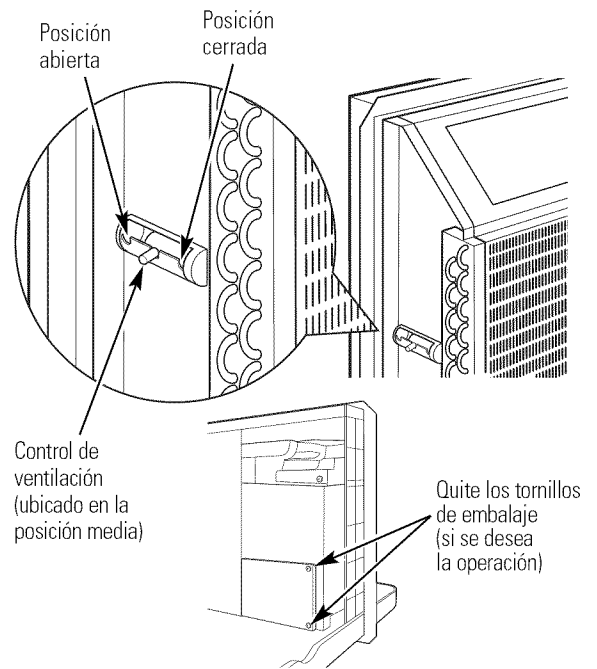
NOTA: Antes de comenzar a utilizar el aparato, deben retirarse dos tornillos de empaque de la puerta de ventilación. Ver las Instrucciones de instalación en la parte trasera del manual. Si usted no planea utilizar la característica de ventilación, deje estos dos tornillos en su lugar.

La palanca de control de ventilación se encuentra sobre el lado izquierdo medio de la unidad Zonline, detrás del gabinete del ambiente.

Cuando se lo configura en posición cerrada, sólo circula y se filtra el aire dentro de la habitación.

Cuando se lo configura en posición abierta, se permite el ingreso de aire externo a la habitación. Esto reducirá la eficiencia para calentar o enfriar el ambiente.

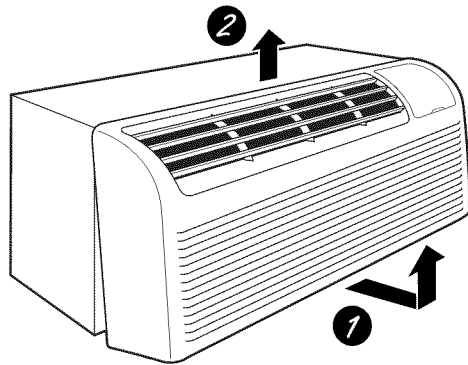
Consejo de ahorro de energía: Mantenga el dispositivo de control en la posición cerrada. De ese modo, el aire dentro del ambiente circulará y podrá filtrarse.



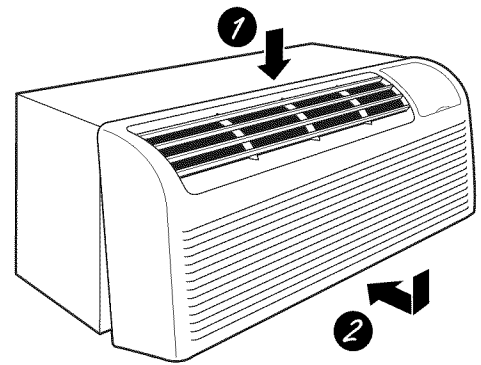
Cómo retirar el gabinete del ambiente

Existen controles adicionales ubicados detrás del gabinete del ambiente.

Para retirar: Jale de la parte inferior para desengancharlo de las pestañas (1). Luego empújelo hacia arriba (2).

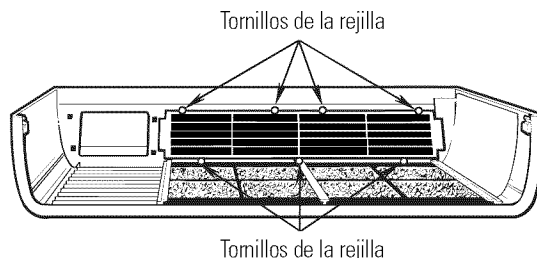


Para volver a colocar: Coloque las pestañas sobre el riel superior (1). Presione hacia adentro desde la parte inferior hasta que encaje en su lugar (2).

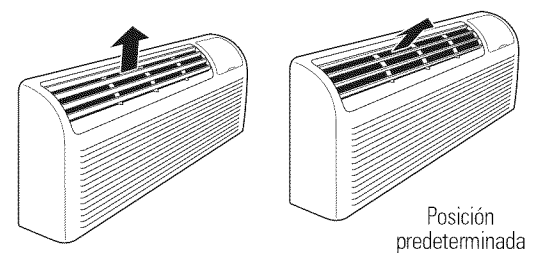


Dirección del aire

Para cambiar la dirección del aire, retire el gabinete del ambiente. Quite los 7 tornillos que sostienen la rejilla de ventilación en su lugar. Gire la rejilla en 180°, vuelva a colocar los tornillos y el gabinete.



Para cambiar la dirección del aire, retire el gabinete del ambiente y gire la rejilla en 180°.

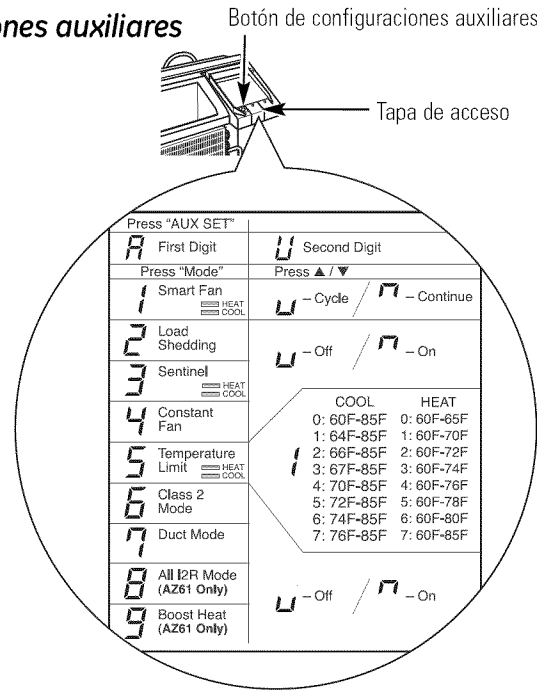


Controles auxiliares—Botón de configuraciones auxiliares

Los controles de configuraciones auxiliares se encuentran detrás del gabinete del ambiente, debajo del panel de control.

Retire el gabinete del ambiente. Ver la sección *Cómo retirar el gabinete del ambiente*.

El propietario es responsable de garantizar que los controles auxiliares se encuentren configurados en la función deseada. Hay 9 modos diferentes que pueden configurarse utilizando el botón de configuraciones auxiliares. Para cambiar los modos, presione **AUX SET** (aparecerá "AU" en la pantalla). Presione el botón de modo sobre la almohadilla de control una determinada cantidad de veces (indicada en el primer dígito de la pantalla) y siga con la flecha ascendente o descendente (indicada en el segundo dígito de la pantalla) para realizar una selección. Presione el botón **AUX SET** para confirmar la selección.

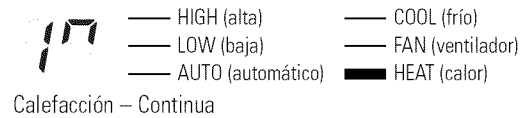
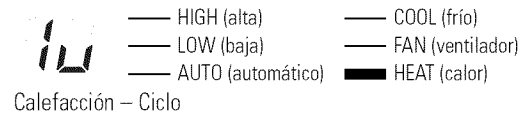
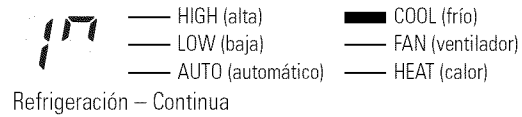
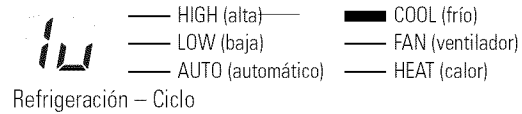


MODE 1 Ventilador inteligente—Refrigeración/Calefacción

La configuración predeterminada para el Modo 1 es la siguiente:

Refrigeración: Continua (ON) (encendido)
Calefacción: Ciclo (OFF) (apagado)

Presione **MODE** (modo) hasta que aparezca un 1 en el primer dígito de la pantalla para el modo de refrigeración **Smart Fan** (ventilador inteligente). La luz LED **COOL** (frío) del control principal estará encendida. Para cambiar al modo de calefacción, presione **MODE** de nuevo. La luz LED **HEAT** (calor) del control principal estará encendida. Presione la flecha descendente para configurar el encendido y apagado del ventilador interno cuando la unidad se encuentre calentando o enfriando "┐". Presione la flecha ascendente para configurar que el ventilador interior funcione continuamente "┌". Esto puede verse en el segundo dígito de la pantalla. Presione **AUX SET** (configuraciones auxiliares) para confirmar su selección y salir del modo **AUX SET**, o presione **MODE** para continuar con la configuración de otras funciones.



MODE 2 Desconexión de carga (Control central)

La configuración predeterminada para el Modo 2 es OFF (apagado).

Esta característica está activa sólo si la unidad se encuentra en el modo CDC. Presione **MODE** (modo) hasta que aparezca un 2 en el primer dígito de la pantalla para el modo **Load Shedding** (desconexión de carga). Presione la flecha descendente para OFF (apagado) "┐" o la flecha ascendente para ON (encendido) "┌". Esto puede verse en el segundo dígito de la pantalla. Cuando este modo está activado, el ventilador interior puede encenderse (ON) o apagarse (OFF) mediante los controles de la unidad. Cuando este modo está apagado, el botón del ventilador se encuentra desactivado. Presion **AUX SET** (configuraciones auxiliares) para confirmar su selección y salir del modo **AUX SET**, o presione **MODE** (modo) para continuar con la configuración de otras funciones. La configuración predeterminada para el Modo 2 es OFF (apagado).



Seguridad

Operación

Cuidado y limpieza

Solucionar problemas

Soporte al consumidor

Controles auxiliares del Zoneline.

MODE 3 Monitor de congelación/Monitor de calor

En la configuración predeterminada para el Modo 3, **Heat Sentinel** (monitor de calor) se encuentra desactivado pero **Freeze Sentinel** (monitor de congelación) se encuentra activado.

Presione **MODE** (modo) hasta que aparezca un 3 en el primer dígito de la pantalla para el modo **Freeze Sentinel** (monitor de congelación). La luz LED **COOL** (frío) del control principal estará encendida. Presione **MODE** de nuevo para cambiar a **Heat Sentinel** (monitor de calor). La luz LED **HEAT** (calor) del control principal estará encendida. Presione la flecha descendente para OFF (apagado) "□" o la flecha ascendente para ON (encendido) "■". Esto puede verse en el segundo dígito de la pantalla. Presione **AUX SET** (configuraciones auxiliares) para confirmar su selección y salir del modo **AUX SET**, o presione **MODE** (modo) para continuar con la configuración de otras funciones.

Cuando se activa **Freeze Sentinel** (monitor de congelación), se libera calor automáticamente sin una interfaz de usuario. Esto ayuda a evitar daños en las cañerías al encender (ON) la calefacción y el ventilador interior a 41°F y al apagarla (OFF) a 46°F.

Cuando se activa **Heat Sentinel** (monitor de calor), se libera frío automáticamente sin una interfaz de usuario. Esto ayuda a evitar una calefacción excesiva al encender (ON) el acondicionador de aire a 85°F (30°C) y apagarlo (OFF) a 80°F (27°C).

NOTA: Estas funciones se activan cuando la unidad se enchufa, aún si se encuentra en la posición STOP (parar).

3□ — HIGH (alta) — COOL (frío)
— LOW (baja) — FAN (ventilador)
— AUTO (automático) — HEAT (calor)

Monitor de congelación apagado (OFF)

3■ — HIGH (alta) — COOL (frío)
— LOW (baja) — FAN (ventilador)
— AUTO (automático) — HEAT (calor)

Monitor de congelación encendido (ON)

3□ — HIGH (alta) — COOL (frío)
— LOW (baja) — FAN (ventilador)
— AUTO (automático) — HEAT (calor)

Monitor de calor apagado (OFF)

3■ — HIGH (alta) — COOL (frío)
— LOW (baja) — FAN (ventilador)
— AUTO (automático) — HEAT (calor)

Monitor de calor encendido (ON)

MODE 4 Ventilador encendido constante

La configuración predeterminada para el Modo 4 es OFF (apagado).

Presione **MODE** (modo) hasta que aparezca 4 en el primer dígito de la pantalla para configurar el ventilador en funcionamiento continuo a alta velocidad, aún si la unidad se encuentra en la posición STOP (parar). Presione la flecha descendente para OFF (apagado) "□" o la flecha ascendente para ON (encendido) "■". Esto puede verse en el segundo dígito de la pantalla. Presione **AUX SET** (configuraciones auxiliares) para confirmar su selección y salir del modo **AUX SET**, o presione **MODE** (modo) para continuar con la configuración de otras funciones.

4□

Ventilador
constante
apagado (OFF)

4■

Ventilador
constante
encendido (ON)

MODE 5 Limitación de temperatura

La configuración predeterminada para el Modo 5 es la siguiente:

Frío: 0 (60°F [15°C] a 85°F [30°C])

Calor: 7 (60°F [15°C] a 85°F [30°C])

Presione **MODE** (modo) hasta que aparezca un 5 en el primer dígito de la pantalla para el modo de refrigeración **Temperature Limiting** (limitación de temperatura). La luz LED **COOL** (frío) del control principal estará encendida. Para cambiar al modo calor, presione **MODE** (modo) de nuevo y se encenderá la luz LED **HEAT** (calor) del control principal. Para configurar los límites de temperatura, presione las flechas ascendentes o descendentes. El segundo dígito de la pantalla se hallará entre 0 y 7 dependiendo del límite que desea configurar. La tabla señala los límites disponibles. Presione **AUX SET** (configuraciones auxiliares) para confirmar su selección y salir del modo **AUX SET**, o presione **MODE** (modo) para continuar con la configuración de otras funciones.

52 — HIGH (alta) — COOL (frío)
— LOW (baja) — FAN (ventilador)
— AUTO (automático) — HEAT (calor)

Limitación de temperatura Frío – Límite 2

53 — HIGH (alta) — COOL (frío)
— LOW (baja) — FAN (ventilador)
— AUTO (automático) — HEAT (calor)

Limitación de temperatura Calor – Límite 3

Límites de temperatura – Frío	Límites de temperatura – Calor
0 = 60°F a 85°F (15°C a 30°C)	0 = 60°F a 65°F (15°C a 18°C)
1 = 64°F a 85°F (18°C a 30°C)	1 = 60°F a 70°F (15°C a 21°C)
2 = 66°F a 85°F (19°C a 30°C)	2 = 60°F a 72°F (15°C a 22°C)
3 = 68°F a 85°F (20°C a 30°C)	3 = 60°F a 74°F (15°C a 23°C)
4 = 70°F a 85°F (21°C a 30°C)	4 = 60°F a 76°F (15°C a 24°C)
5 = 72°F a 85°F (22°C a 30°C)	5 = 60°F a 78°F (15°C a 26°C)
6 = 74°F a 85°F (23°C a 30°C)	6 = 60°F a 80°F (15°C a 27°C)
7 = 76°F a 85°F (24°C a 30°C)	7 = 60°F a 85°F (15°C a 30°C)

MODE 6 Termostato remoto—Clase 2

La configuración predeterminada para el Modo 6 es OFF (apagado).

Al configurar este modo en ON (encendido), la unidad puede funcionar con un termostato de pared a control remoto de Clase 2. Presione **MODE** (modo) hasta que aparezca un 6 en el primer dígito de la pantalla para el modo **Class 2** (clase 2). Presione la flecha descendente para apagar (OFF) la opción "□". Presione la flecha ascendente para encender (ON) la opción "■". Esto puede verse en el segundo dígito de la pantalla. Presione **AUX SET** (configuraciones auxiliares) para confirmar su selección y salir del modo **AUX SET**, o presione **MODE** (modo) para continuar con la configuración de otras funciones.

6□

Clase 2
apagado (OFF)

6■

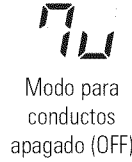
Clase 2
encendido (ON)

MODE 7 Modo para conductos

La configuración predeterminada para el Modo 7 es OFF (apagado). Esta configuración se utiliza cuando la unidad se instala utilizando un kit de adaptador de conductos. Si la unidad está instalada con conductos, el Modo para conductos (Duct Mode) debe configurarse en encendido (ON). Esto aumenta la velocidad del ventilador para garantizar una circulación adecuada.

Presione **MODE** (modo) hasta que un 7 aparezca en el primer dígito de la pantalla. Presione las flechas ascendente o descendente para configurar este interruptor en apagado (OFF) "□" o en encendido (ON) "■". Esto puede verse en el segundo dígito de la pantalla. Presione **AUX SET** (configuraciones auxiliares) para confirmar su selección y salir del modo **AUX SET**.

Para el Modelo AZ6100, presione **MODE** (modo) para continuar con la configuración de otras funciones. Al presionar **MODE** en el Modelo AZ4100, se volverá al modo **AUX SET** y "AU" aparecerá en la pantalla.



MODE 8 Calor todo eléctrico (sólo AZ6100)

La configuración predeterminada para el Modo 8 es OFF (apagado). Esta opción de calor eléctrico sólo funciona en el modelo 6100. Cuando esta opción se encuentra activada (ON) "■", se anula el funcionamiento con bomba de calor, por lo que la unidad sólo ofrece calor por resistencia eléctrica.

Para configurar la opción **All-Electric Heat** (calor todo eléctrico), presione **MODE** (modo) hasta que aparezca un 8 en el primer dígito de la pantalla. Presione las flechas ascendente o descendente para configurar este interruptor en apagado (OFF) "□" o en encendido (ON) "■". Esto puede verse en el segundo dígito de la pantalla.

Presione **AUX SET** (configuraciones auxiliares) para confirmar su selección y salir del modo **AUX SET**, o presione **MODE** para continuar con la configuración de otras funciones.



MODE 9 Impulso de calor (sólo AZ6100)

La configuración predeterminada para el Modo 9 es OFF (apagado). Cuando **Heat Boost** (impulso de calor) se encuentra activado (ON) y las temperaturas externas se encuentran entre 25°F y 46°F, se anula el funcionamiento de sólo bomba de calor. Esta configuración se utiliza para ofrecer calor complementario al funcionamiento de bomba de calor mediante calor por resistencia eléctrica en condiciones en las que el funcionamiento de sólo bomba de calor no es suficiente para mantener una temperatura ambiente congruente y confortable. **NOTA:** La opción de Impulso de calor no debe utilizarse con el funcionamiento de termostato remoto. Esto provocará que la unidad cambie a calor por resistencia cuando la temperatura exterior sea de 46°F.

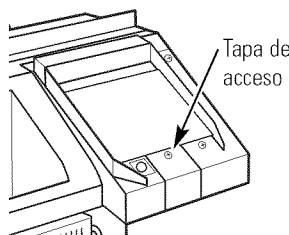
Para configurar Impulso de calor, presione **MODE** (modo) hasta que aparezca un 9 en el primer dígito de la pantalla. Presione las flechas ascendente o descendente para configurar este interruptor en apagado (OFF) "□" o en encendido (ON) "■". Esto puede verse en el segundo dígito de la pantalla. Presione **AUX SET** (configuraciones auxiliares) para confirmar su selección y salir del modo **AUX SET**.



Controles auxiliares—Conexiones terminales

Los controles auxiliares están ubicados detrás del gabinete del ambiente por debajo de la tapa de acceso.

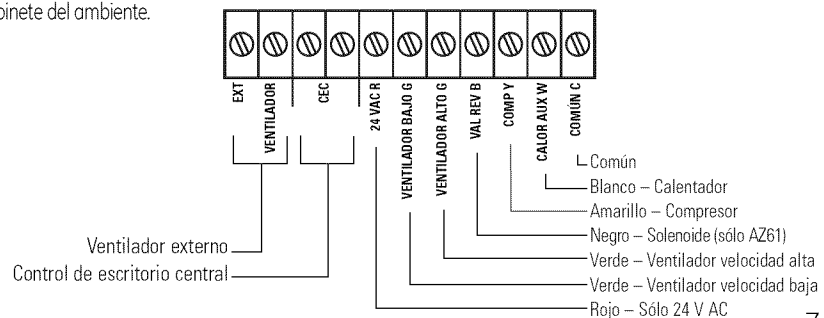
- 1 Apague y desenchufe la unidad.
- 2 Retire el gabinete del ambiente. Ver la sección *Cómo retirar el gabinete del ambiente*.
- 3 Quite el tornillo de la tapa de acceso.
- 4 Para hacer conexiones eléctricas, inserte los cables en la parte inferior de las terminales y ajuste bien los tornillos.
- 5 Después de realizar todas las conexiones deseadas, vuelva a colocar la tapa de acceso y el gabinete del ambiente.



El propietario es responsable de realizar todas las conexiones y configurar el modo apropiado de **AUX SET** (configuraciones auxiliares).

⚠ PRECAUCIÓN:

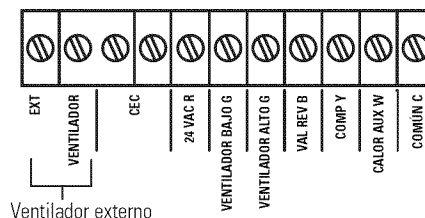
Una conexión eléctrica incorrecta puede dañar las partes electrónicas de su Zoneline. No se permite la conexión simultánea de varias unidades en un mismo cable. Esto puede provocar daños o generar un funcionamiento errático. Debe utilizarse un cable diferente desde cada interruptor de control hacia cada Zoneline.



Controles auxiliares del Zonline.

Ventilador externo (disponible en forma local)

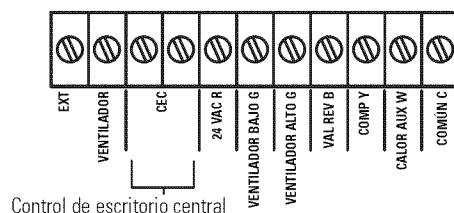
Una vez que se lo conecta, un ventilador auxiliar o externo puede controlarse con el motor de ventilación interno de Zonline. Las conexiones brindan 24 voltios de CA para suministrar energía a un circuito intermedio, lo que enciende el ventilador externo.



Control central

Una vez que se la conecta, la unidad puede encenderse o apagarse mediante una tecla ubicada en el panel central de control. Debe utilizarse un cable diferente desde cada interruptor de control hacia cada acondicionador de aire Zonline.

Para opciones de configuración de ventilador, consulte el MODO 2 en la página 5.



Termostato remoto

Cuando se conecta a un termostato remoto, el sensor de temperatura interior cambia de la unidad al termostato remoto. Por esta razón, las unidades funcionarán con ciertas diferencias cuando se conectan a un termostato remoto. La siguiente tabla indica el funcionamiento de la unidad cuando se conecta a un termostato remoto.

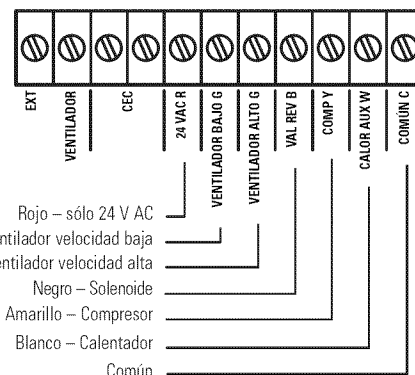
NOTA: La configuración de Modo Clase 2 (Modo 6) debe configurarse en encendido (ON) "☐" para que la unidad funcione con un termostato de pared remoto Clase 2. (Ver las instrucciones de instalación incluidas con las instrucciones del termostato remoto y de Modo de la página 7).

6"

Se muestra encendido (ON)

IMPORTANTE: Las conexiones del termostato de Zonline proveen sólo 24 voltios de CA.

Si utiliza un termostato de pared digital/electrónico, éste debe configurarse a 24 voltios de CA. Ver las Instrucciones de instalación para el termostato de pared.



⚠ PRECAUCIÓN:

Unas conexiones inadecuadas pueden provocar daños al termostato de pared o a las partes electrónicas de Zonline. Debe prestarse especial cuidado durante la conexión de los cables. No deben realizarse conexiones de línea con ningún circuito. Todos los cables del edificio deben aislarse de la línea de tensión.

Característica	Bomba de calor	Calor eléctrico
Control de escarcha interno	Sí	Sí
Monitor de congelación	Sí	Sí
Velocidad de ventilador automática	No	No
Limitación de temperatura electrónica	No	No
Cambio a calor por resistencia en base a la temperatura interior	Determinado por el termostato remoto	N/A
Cambio a calor por resistencia en base a la temperatura exterior	Sí	N/A
Descongelación de ciclo inverso	Sí	N/A
Calor por resistencia simultáneo con bomba de calor	No	N/A
Bloqueo de calor por resistencia	Sí	N/A
Ciclo de ventilador "Smart Fan" (ventilador inteligente)	Ventilador configurado en ON/AUTO (encendido/automático) en termostato remoto	Ventilador configurado en ON/AUTO (encendido/automático) en termostato remoto
Control de escritorio central	Sí	Sí

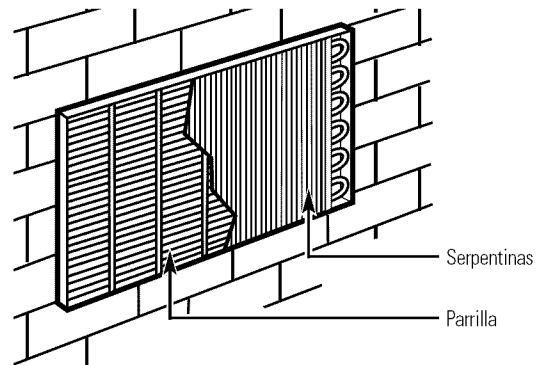
Gabinete del ambiente y montante

Apague el Zoneline y desconecte el suministro de energía.

Para limpiarlo, use agua con un detergente suave. No utilice blanqueador o sustancias abrasivas. Algunos limpiadores comerciales pueden dañar las partes plásticas.

Serpentinas externas

Las serpentinas de la zona externa del Zoneline deben verificarse de manera regular. Si están tapadas con suciedad u hollín, un experto puede limpiarlas con vapor. Usted tendrá que quitar la unidad de la funda de la pared para inspeccionar las serpentinas. La suciedad se acumula en el lado del ventilador de la serpentina exterior.



Limpie las serpentinas externas regularmente.

Bandeja de la base

En algunas instalaciones, suciedad y otros residuos pueden ingresar a la unidad desde el exterior y acumularse en la bandeja de la base (la parte inferior de la unidad).

En algunas regiones de los EE.UU., puede verse una sustancia "gelatinosa" o "babosa" de origen natural en la bandeja de la base.

Realice una inspección periódica de la misma y límpiela, si así fuese necesario.

Filtro de ventilación

Si la puerta de la ventilación está abierta, hay que quitar la unidad de la funda de la pared para poder acceder. Limpie el filtro de ventilación dos veces al año o según sea necesario.

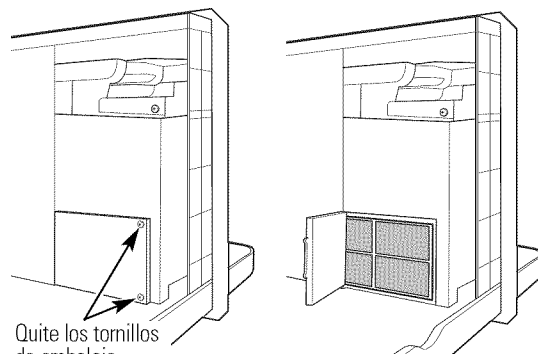
Apague el Zoneline y desenchúfelo antes de limpiar.

Para limpiar el filtro de ventilación:

IMPORTANTE:

Este filtro no es desmontable. Si trata de quitar el filtro, dañará la unidad.

- Use una aspiradora para limpiar el filtro.
- Utilice un paño húmedo para limpiar el filtro y el área circundante después de pasar la aspiradora.

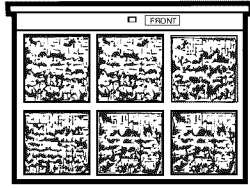


Quite los tornillos de embalaje (si se desea la operación)

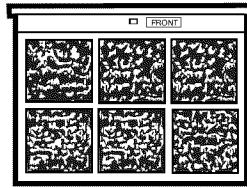
Cuidado y limpieza.

Para mantener un funcionamiento óptimo, limpie los filtros cada 30 días.

Filtros de aire



Filtro sucio—debe limpiarse



Filtro obstruido—
reduce en gran
medida la refrigeración,
la calefacción y
la circulación de aire.

Apague el Zoneline antes de limpiarlo.

Lo más importante que puede hacer para mantener en buen estado su Zoneline es limpiar el filtro por lo menos cada 30 días. Los filtros obstruidos reducen la refrigeración, la calefacción y la circulación de aire.

Si mantiene los filtros limpios:

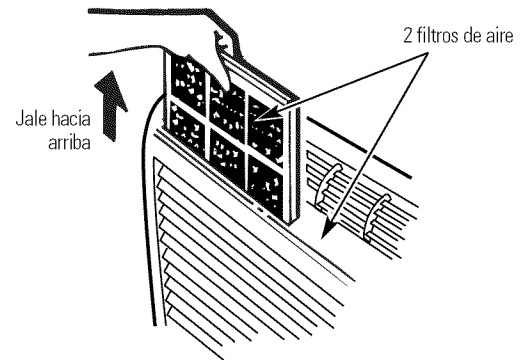
- Reducirá el costo de la operación.
- Ahorrará energía.
- Prevenirá la obstrucción de las serpentinas en el intercambiador de calor.
- Reducirá el riesgo de roturas prematuras de las piezas.

Para limpiar los filtros de aire:

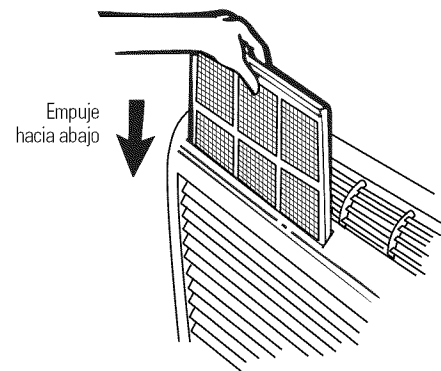
- Aspire la suciedad más importante.
- Haga fluir agua a través de los filtros desde la parte trasera.
- Seque bien antes de volver a colocar.

NOTA: Los filtros de aire son intercambiables y pueden utilizarse tanto en la lado derecho como en el izquierdo.

Cómo retirar los filtros de aire:



Cómo volver a colocar los filtros de aire:



⚠ PRECAUCIÓN: No utilice el acondicionador de aire Zoneline sin los filtros colocados en su lugar. Si un filtro se rompe o se daña por alguna razón, éste debe cambiarse de manera inmediata.

Si pone el acondicionador en funcionamiento sin los filtros en su lugar o con filtros dañados, permitirá que la suciedad y el polvo lleguen a la serpentina interna y de esa manera la refrigeración, la calefacción, la circulación de aire y la eficacia general de la unidad se verán afectados.

Para adquirir filtros nuevos, comuníquese con su vendedor, su representante de GE, el Centro de Reparación y Piezas de GE o centro autorizado de técnicos Customer Care®.

Instrucciones de instalación

Acondicionador de aire Zoneline

¿Preguntas? Llame al 1.800.GE.CARES o visite nuestro sitio en la red a: GEAppliances.com

ANTES DE COMENZAR

Lea estas instrucciones completa y cuidadosamente.

- **IMPORTANTE** – Guarde estas instrucciones para que puedan ser usadas por el inspector local.
- **IMPORTANTE** – Siga todos los códigos y ordenanzas legales.
- **Nota para el instalador** – Cerciórese de dejar estas instrucciones con el consumidor.
- **Nota para propietario** – Guarde estas instrucciones para uso futuro.
- La instalación apropiada es la responsabilidad del instalador.
- La falla del producto debido a una instalación inadecuada no está cubierta por la garantía.

HERRAMIENTAS NECESARIAS



Destornillador de estrella

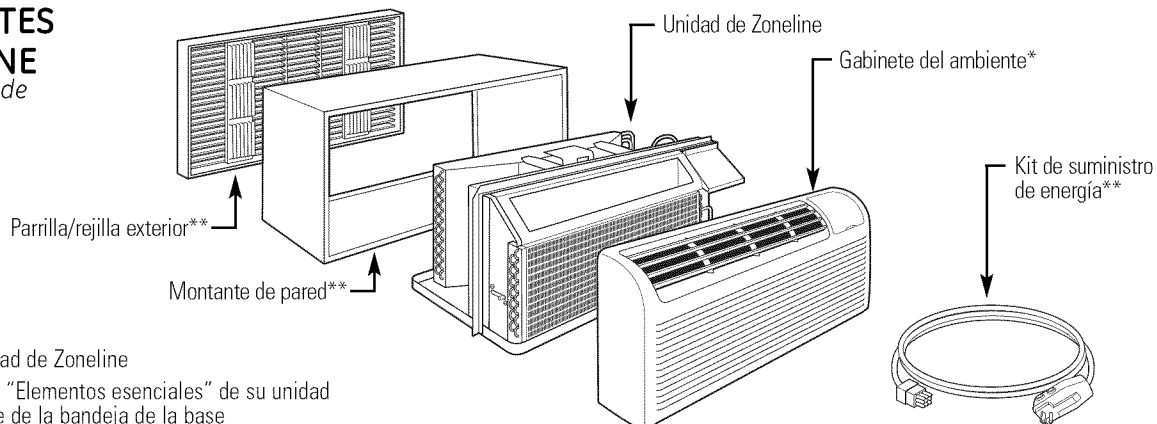
IMPORTANTE: SEGURIDAD ELÉCTRICA—LEA CUIDADOSAMENTE

⚠ PRECAUCIÓN:

- Siga las instrucciones del National Electrical Code (Código de Electricidad Nacional) (NEC) o los códigos u ordenanzas locales.
- Para su seguridad personal, el acondicionador de aire Zoneline debe tener una adecuada conexión a tierra.
- Los dispositivos de protección (fusibles o disyuntores) adecuados para las instalaciones de Zoneline se encuentran especificados en la placa de cada unidad.
- No utilice un cable de extensión con esta unidad.
- El cableado de aluminio puede presentar problemas especiales: consulte a un electricista calificado.
- Cuando la unidad se encuentra en la posición OFF (apagado), todavía hay voltaje en los controles eléctricos.
- Antes de realizar reparaciones en la unidad, desconecte el suministro de energía de la siguiente manera:
 - 1 Retire el cable eléctrico (si posee uno) del receptáculo de la pared.
 - 0
 - 2 Retire los fusibles de la sección o apague el disyuntor desde el panel.

COMPONENTES DEL ZONELINE

La apariencia puede cambiar.

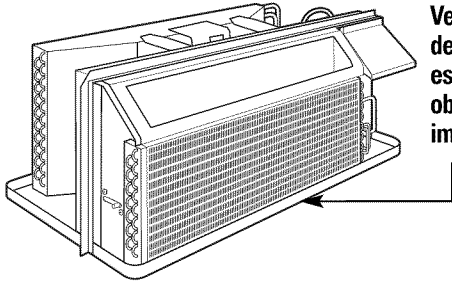


* Enviado con la unidad de Zoneline

** Verifique la lista de "Elementos esenciales" de su unidad ubicada en el frente de la bandeja de la base

Instrucciones de instalación

¿DESEA CAMBIAR UNA UNIDAD YA INSTALADA?



Verifique la etiqueta de "Elementos esenciales" para obtener información importante.

Utilice el montante de pared correcto

Esta unidad está diseñada para instalarse en un montante para pared de plástico de GE o en uno de metal con aislamiento. Esto minimiza la condensación que podría formarse en el lado del montante que da a la habitación.

Si el montante de pared actual todavía no está aislado, se puede reducir la posibilidad de condensación mediante la instalación del equipo de aislamiento RAK901L, disponible en donde haya adquirido su acondicionador.

NOTA: Hay varios orificios adicionales en los rebordes laterales de la unidad para instalación en montantes de pared diferentes a GE. Para evitar dañar el aislamiento del reborde, el instalador deberá usar un punzón u otra herramienta filosa para perforar el aislamiento en los orificios correctos antes de instalar los tornillos del accesorio.

Utilice la parrilla externa correcta

Se deben utilizar las parrillas externas descritas en la etiqueta de "Elementos esenciales" en la bandeja de la base.

- Si no se reemplaza una parrilla existente, su capacidad y eficiencia se verán reducidas y la unidad no podrá funcionar correctamente o se romperá en forma prematura. Un kit deflector, RAK40, puede utilizarse con parrillas que no fueron diseñadas para las nuevas acondicionadores Zoneline de GE. El RAK40 contiene deflectores de aire y juntas que se colocan sobre la unidad, a fin de enviar la salida de aire caliente en una dirección diferente a la toma de aire, y de ese modo permitir que la unidad funcione correctamente. La parrilla debe tener un área libre de por lo menos 65%.
- Debe retirarse cualquier tipo de deflector vertical ubicado en la parrilla trasera a fin de evitar la recirculación de aire del condensador que podría provocar un "encendido y apagado inmediato" de la unidad y generar fallas prematuras en los componentes.

Utilice el cable de energía correcto

Los códigos locales pueden exigir el uso de dispositivos de detección de arcos o de fuga de corriente en instalaciones de 230/208 voltios.

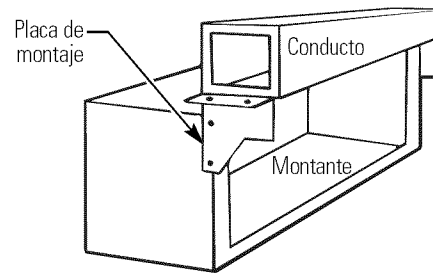
Cómo reemplazar una unidad instalada con conductos

Una nueva instalación con conductos:

Si esta unidad debe instalarse con una nueva aplicación con conductos mediante un kit adaptador, éste último debe instalarse antes de que el acondicionador sea colocado en el montante de la pared. Las instrucciones de instalación están incluidas en el kit.

Kits de conductos disponibles:

RAK6052
RAK601/602



La instalación de una unidad con conductos ya instalada:

El reemplazo de una unidad con conductos puede requerir diferentes componentes. Solicite esta información a su representante de ventas.

- **Para reemplazar unidades de 230/208 voltios:**
Ver página 13.
- **Para reemplazar unidades de 265 voltios:**
Ver páginas 14.

Cuando utilice un kit de conductos, usted siempre debe encender (ON) el Modo 7 "□". Ver las instrucciones de Modo en la página 7.



Modo para conductos
se muestra encendido (ON)

Instrucciones de instalación

OPCIONES DE CONEXIÓN ELÉCTRICA DE 230/208 VOLTIOS

CÓMO REALIZAR LA CONEXIÓN

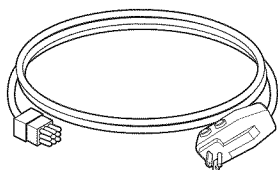
- 1 Retire el gabinete del ambiente.
- 2 Conecte al suministro de energía.
- 3 Revise los siguientes pasos para constatar el voltaje.
- 4 Vuelva a colocar el gabinete del ambiente.

Los cables de alimentación pueden incluir un dispositivo para interrupción de arco o uno para interrupción y detección de fuga de corriente. Se incluye un botón de prueba y de reinicio en el dispositivo. El dispositivo debe ponerse a prueba periódicamente: primero se presiona el botón de TEST (prueba) y luego RESET (reinicio). Si el botón TEST no se dispara o si el botón RESET no queda enganchado, deje de utilizar el acondicionador de aire Zoneline y comuníquese con un técnico calificado.

CONEXIÓN DE CABLE DE ENERGÍA

Debe utilizarse un kit de suministro de energía con dispositivo LCDI para suministrar energía a la unidad Zoneline. Se debe obtener el kit adecuado según el voltaje, la forma de conexión eléctrica y el amperaje del circuito de la zona.

Las conexiones de circuitos de 208 o 230 voltios pueden realizarse con un kit de suministro de energía o un kit de caja de conexiones.



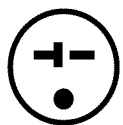
La apariencia puede cambiar.

Kit de suministro de energía

Todos los cables, incluyendo la instalación del receptáculo, deben ajustarse a los códigos, ordenanzas y regulaciones locales y del NEC. Los códigos requieren el uso de un dispositivo de detección de arcos o de fuga de corriente en el cable de alimentación con excepción de una conexión directa. Asegúrese de elegir el cable correcto para su instalación.



Tándem
15 amp.



Perpendicular
20 amp.



Tándem grande
30 amp.

Configuración de receptáculo de 230/208 voltios.

Clasificación de circuito derivado y amperaje de la unidad	Cable de energía GE con dispositivo LCDI
15	RAK3153
20	RAK3203
30	RAK3303*

*No se ha aprobado el uso en modelos de 7000 BTU.

CONEXIÓN DE SUB-BASE ELÉCTRICA

Los modelos de 230/208 voltios pueden instalarse utilizando una de las siguientes sub-bases eléctricas:

Clasificación de circuito derivado y amperaje de la unidad	Kit adecuado de sub-base GE
15	RAK204D15P
20	RAK204D20P
30	RAK204D30P*

*No se ha aprobado el uso en modelos de 7000 BTU.

Las sub-bases eléctricas otorgan un recinto para conexiones directas o receptáculos cerrados. El kit de sub-base incluye el cable de energía.

Las instrucciones incluidas en el kit de sub-base seleccionado deben seguirse al pie de la letra. Es la responsabilidad del instalador asegurar que la conexión de los componentes se realice respetando estas instrucciones y todos los códigos de electricidad.

CONEXIÓN DIRECTA

Solicite el siguiente kit para una conexión directa de 230/208 voltios según se requiera:

Clasificación de circuito derivado y amperaje de la unidad	Accesorio de suministro de energía	Kit de suministro de energía
15	RAK4002A	RAK4157
20	RAK4002A	RAK4207
30	RAK4002A	RAK4307*

*No se ha aprobado el uso en modelos de 7000 BTU.

Salte a la sección "REALIZAR LA CONEXIÓN ELÉCTRICA A LA UNIDAD".

Instrucciones de instalación

OPCIONES DE CONEXIÓN ELÉCTRICA DE 265 VOLTIOS

⚠ ADVERTENCIA:

La conexión de este producto de 265 voltios de CA a un circuito derivado **DEBE** realizarse mediante una conexión directa de acuerdo a las indicaciones del NEC. El código no permite enchufar esta unidad a una caja externa.

Estos modelos deben instalarse utilizando el kit de GE de suministro de energía adecuado para el amperaje de circuito derivado y el vatiaje deseado para el calefactor de resistencia eléctrica. Utilice la TABLA DE CONEXIONES ELÉCTRICAS en la página 17 para determinar cuál es el kit necesario. Debe utilizarse uno de los siguientes métodos de instalación (A o B):

A. PARA INSTALACIÓN DE SUB-BASE

Los kits de sub-base eléctrica se encuentran disponibles a fin de proveer un recinto flexible para las conexiones directas.

<i>Clasificación de circuito derivado y amperaje de la unidad</i>	<i>Kit adecuado de sub-base GE</i>	<i>Kit de suministro de energía</i>
15	RAK204E15	RAK5172
20	RAK204E20	RAK5202
30	RAK204E30	RAK5302*

*No se ha aprobado el uso en modelos de 7000 BTU.

Las instrucciones incluidas en el kit de sub-base seleccionado deben seguirse al pie de la letra. Es la responsabilidad del instalador asegurar que la conexión de los componentes se realice respetando estas instrucciones y todos los códigos de electricidad.

B. PARA INSTALACIÓN DE CONEXIÓN DIRECTA

Si no se utiliza una sub-base eléctrica, debe realizarse una conexión directa con el cableado de circuito derivado dentro de la caja de conexiones según los siguientes pasos.

Solicite el siguiente kit para una conexión directa de 265 voltios según se requiera:

<i>Clasificación de circuito derivado y amperaje de la unidad</i>	<i>Kit de suministro de energía</i>
15	RAK5157
20	RAK5207
30	RAK5307*

*No se ha aprobado el uso en modelos de 7000 BTU.

Pase a la sección "REALIZAR LA CONEXIÓN ELÉCTRICA A LA UNIDAD".

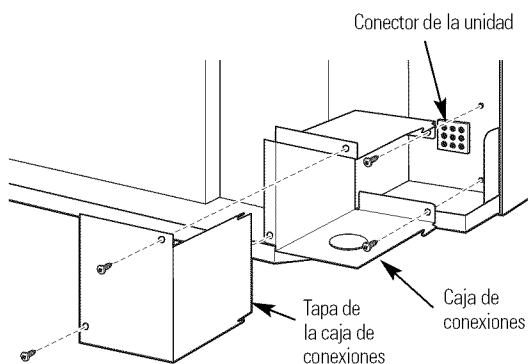
NOTA: Solicite el kit RAK4002CW para una rápida desconexión dentro de la caja de conexiones.

Instrucciones de instalación

REALIZAR LA CONEXIÓN ELÉCTRICA A LA UNIDAD

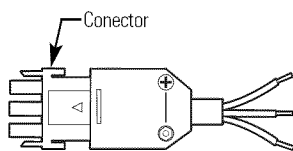
1 RETIRE LA CAJA DE CONEXIONES

- 1 Para retirar la tapa de la caja de conexiones, primero quite los dos tornillos frontales.
- 2 Para retirar la caja de conexiones, quite los tornillos posteriores superiores e inferiores. Observe cómo las pestañas en el lado izquierdo inferior de la caja de conexiones sirven para mantener el lado en su lugar. Esta información le servirá para volver a instalar la caja.



2 CONECTE EL CONJUNTO DE CABLES

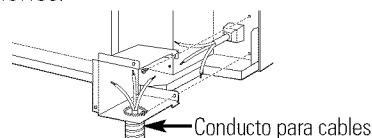
Enchufe el conector provisto en el Kit de Conexión Directa completamente en el conector de acoplamiento de la unidad. Asegúrese de que las pestañas de fijación de los costados estén encastradas.



NOTA: Solicite el kit RAK4002CW para una rápida desconexión dentro de la caja de conexiones.

3 CONECTE EL CONDUCTO PARA CABLES

- 1 Utilice el orificio redondo ubicado en la parte inferior de la caja de conexiones para conectar el conducto de cables que proviene del circuito derivado. Retire la tapa del orificio, ajuste el conducto y acerque los cables hacia el interior de la caja de conexiones. Deje 6" libres de cable al final del conducto para que puedan realizarse las conexiones.



- 2 Si se van a utilizar fusibles y portafusibles, el orificio de la parte superior de la caja está destinado para instalar un portafusibles Buss. Asegúrese de que el fusible y el portafusibles tengan la misma potencia de servicio que el circuito derivado. Las terminales del fusible pueden soldarse en el lugar o conectarse mediante un conector a presión hembra (receptáculo) de 1/4" listado en UL. Siga los códigos locales.

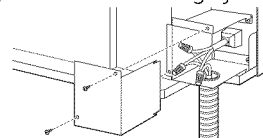
4 VUELVA A INSTALAR LA CAJA DE CONEXIONES

- Para volver a instalar la caja de conexiones, encaje las pestañas izquierdas en la cara derecha inferior en la unidad, alineando los orificios de los tornillos en la parte superior e inferior, y atornille los dos tornillos hasta que el sistema quede asegurado. Asegúrese de que todos los cables hayan quedado dentro de la caja y que no estén enganchados entre la caja y la unidad. El cable a tierra verde de la unidad **DEBE** estar conectado al cable a tierra del circuito derivado.

Realice todas las conexiones de cables utilizando técnicas o conectores apropiados listados en UL (negro con negro, blanco con blanco y verde con verde).

5 VUELVA A INSTALAR LA TAPA DE LA CAJA DE CONEXIONES

- 1 Con cuidado deposite todos los cables y conexiones dentro de la caja de conexiones. Asegúrese de que no hayan quedado conexiones sueltas o cables expuestos sin aislamiento.
- 2 Coloque la tapa de la caja de conexiones en su lugar. Reponga los dos tornillos y ajuste bien.



Instrucciones de instalación

TABLA DE CONEXIONES ELÉCTRICAS

Conexiones de cable de energía			
Kits para suministro de energía de 230/208 voltios con dispositivo de detección de fuga de corriente	Configuración de enchufe de pared	Dispositivo de protección de circuito	Vatíaaje de calefactor @ 230/208 voltios
RAK3153	Tándem	Fusible de tiempo retardado/disyuntor de 15 amp	2,55/2,09 KW
RAK3203	Perpendicular	Fusible de tiempo retardado/disyuntor de 20 amp	3,45/2,82 KW
RAK3303*	Tándem grande	Fusible de tiempo retardado/disyuntor de 30 amp	5,00/4,10 KW
Conexiones directa			
Kits para suministro de energía de 230/208 voltios	Dispositivo de protección de circuito		Vatíaaje de calefactor @ 230/208 voltios
RAK4157	Fusible de tiempo retardado/disyuntor de 15 amp		2,55 KW/2,09 KW
RAK4207	Fusible de tiempo retardado/disyuntor de 20 amp		3,45 KW/2,82 KW
RAK4307*	Fusible de tiempo retardado/disyuntor de 30 amp		5,00 KW/4,10 KW
Kits para suministro de energía de 265 voltios	Dispositivo de protección de circuito		Vatíaaje de calefactor @ 265 voltios
RAK5157	Fusible de tiempo retardado/disyuntor de 15 amp		2,55 KW
RAK5207	Fusible de tiempo retardado/disyuntor de 20 amp		3,45 KW
RAK5307*	Fusible de tiempo retardado/disyuntor de 30 amp		5,00 KW

*No se ha aprobado el uso en modelos de 7000 BTU.

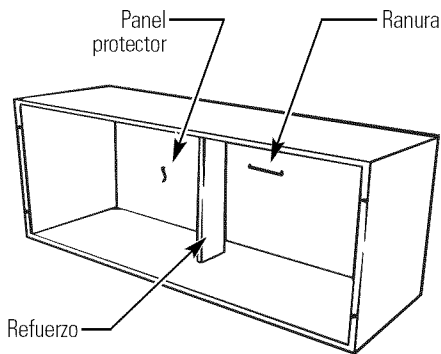
Instrucciones de instalación

CÓMO INSTALAR EL ZONELINE

1 INSTALACIÓN DEL MONTANTE DE PARED Y LA PARRILLA EXTERIOR

Los montantes de pared de la serie RAB71A o RAB77A4 deben instalarse correctamente mediante las instrucciones empaquetadas con el montante.

- Retire el refuerzo corrugado y el panel de protección externo. Utilice la ranura del panel externo como un lugar para asirse y empuje hacia fuera.



- Instale la parrilla exterior desde el lado de la habitación siguiendo las instrucciones incluidas en la parrilla.

Montante de pared aislado

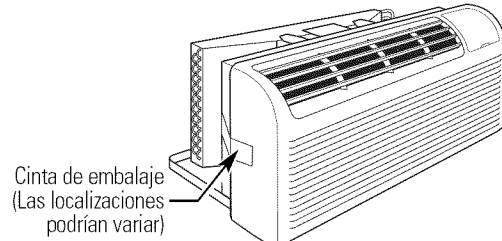
Esta unidad está diseñada para instalarse con un montante plástico de GE o un montante de pared de metal aislante. Estos elementos minimizan la formación de condensación en la parte que da a la habitación.

Los montantes de pared de la serie RAB71A tienen aislamiento. El kit de aislamiento RAK901L se encuentra disponible para la utilización con RAB77A4 o con montantes de pared ya instalados que no poseen aislamiento.

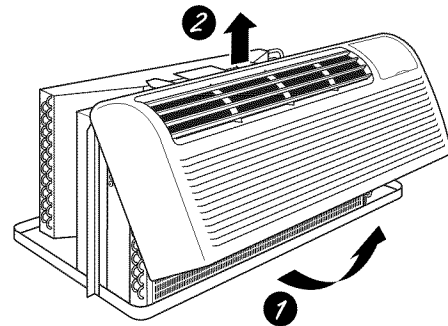
NOTA: Para la instalación con una sub-base o un adaptador de conductos, ver las instrucciones incluidas con dichos kits.

2 CÓMO PREPARAR LA UNIDAD

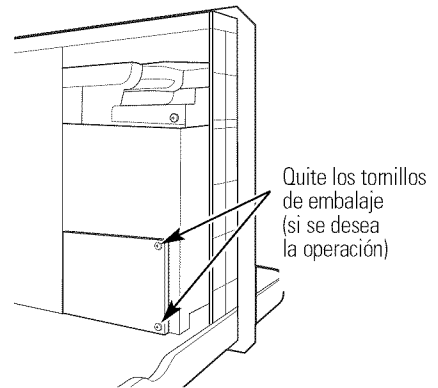
- Con mucho cuidado, quite la cinta de embalaje y los bloques de espuma de embalaje del gabinete del ambiente, el compresor y la puerta de ventilación. Hay bloques múltiples y pedazos de cinta adhesiva de envío que necesitan ser removidas.



- Para retirar el gabinete del ambiente, jale de él por la parte inferior para desatrarlo (1), luego elévelo para liberar el riel que se encuentra en la parte superior de la unidad (2).



- Si la puerta de ventilación va a operarse, quite los tornillos de embalaje del lado delantero de la puerta de ventilación, si los hubiera.

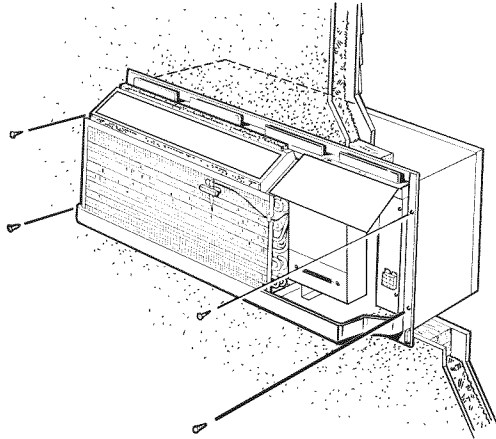


Instrucciones de instalación

CÓMO INSTALAR EL ZONELINE (cont.)

3 CÓMO INSTALAR LA UNIDAD EN EL MONTANTE DE PARED

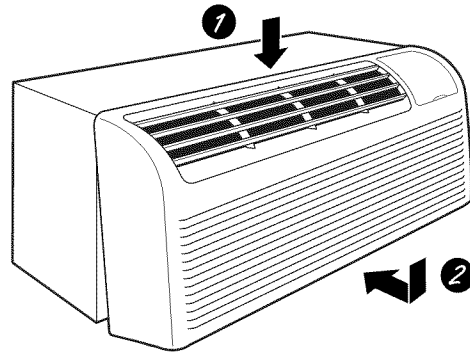
Deslice la unidad dentro del montante de pared y asegúrela con cuatro tornillos a través de los orificios del reborde.



NOTA: Hay varios orificios adicionales en los rebordes laterales de la unidad para instalación en montantes de pared diferentes a GE. Para evitar dañar el aislamiento del reborde, el instalador deberá usar un punzón u otra herramienta filosa para perforar el aislamiento en los orificios correctos antes de instalar los tornillos del accesorio.

4 CÓMO VOLVER A COLOCAR EL GABINETE DEL AMBIENTE

Para reinstalar el gabinete del ambiente, enganche la parte superior sobre los rieles de la unidad (1) y luego empujelo desde la parte inferior (2).



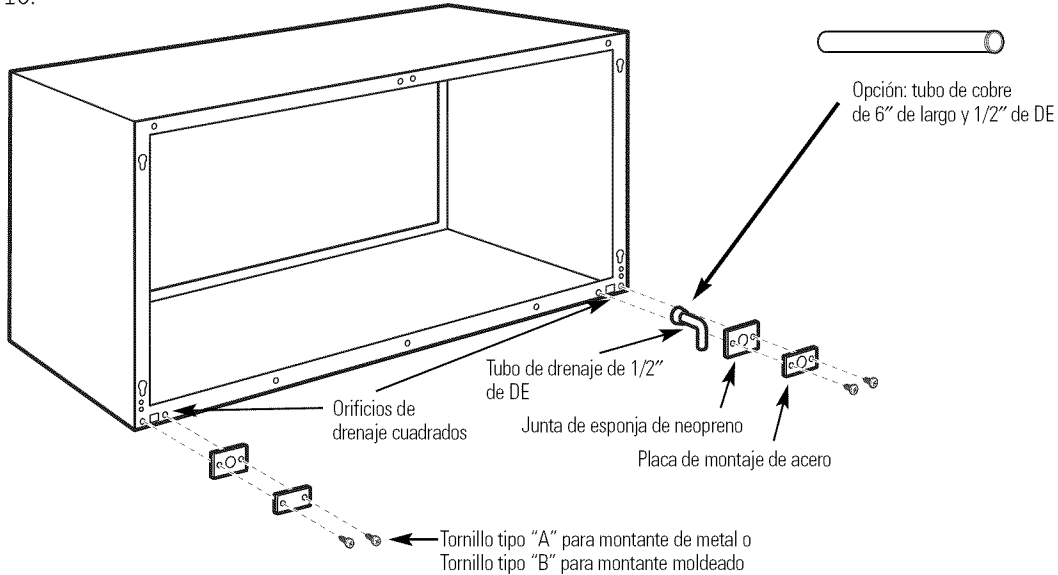
Instrucciones de instalación

OPCIONAL: INSTALACIÓN DE UN KIT DE DRENAJE

Los modelos de la serie Dry Air 25 están diseñados para mejorar la dehumidificación en un 25%. Puesto que se absorberá más humedad del aire, existe una mayor posibilidad de goteo de agua desde la unidad que con un acondicionador común. Para prevenir el goteo sobre las paredes externas del edificio, recomendamos el uso del kit de drenaje RAD10.

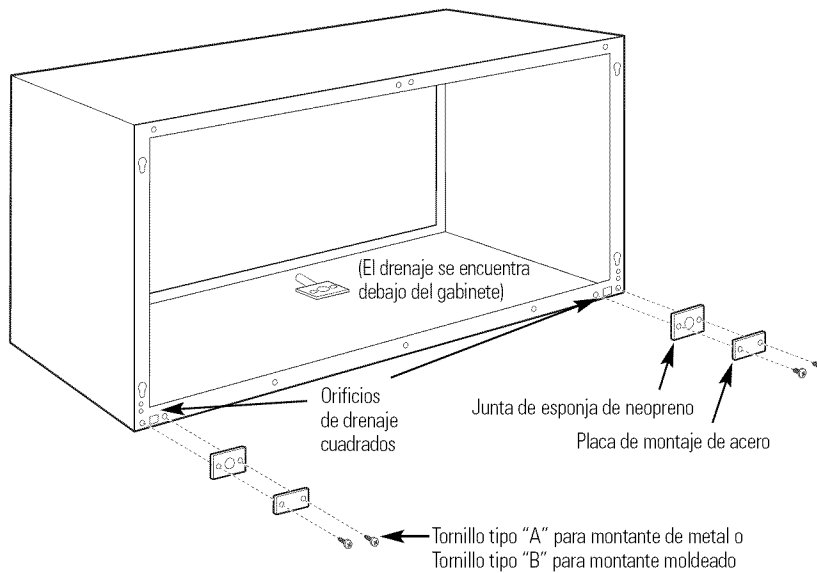
Drenaje externo

Ver las instrucciones de instalación en el kit RAD10.



Drenaje interno

Ver las instrucciones de instalación en el kit RAD10.



Antes de llamar para solicitar servicio...



Solucionar problemas
¡Ahorre dinero y tiempo! Revise las tablas en las siguientes páginas primero y quizás no necesite llamar a solicitar el servicio.

Seguridad			
Operación	Problema	Causas posibles	Qué hacer
Cuidado y limpieza	El Zoneline no se enciende	<p>La unidad está desenchufada.</p> <hr/> <p>El cable de energía no se encuentra bien enchufado.</p> <hr/> <p>El fusible se quemó o el disyuntor saltó.</p> <hr/> <p>La unidad está esperando que se reinicie el protector de sobrecarga del compresor.</p> <hr/> <p>Corte de energía.</p> <hr/> <p>El dispositivo de interrupción de corriente se ha activado.</p>	<ul style="list-style-type: none"> • Asegúrese de que el enchufe de Zoneline esté insertado completamente. <hr/> <ul style="list-style-type: none"> • Retire el gabinete del ambiente y asegúrese de que el conector amarillo al final del cable se encuentre firmemente enchufado. <hr/> <ul style="list-style-type: none"> • Verifique la caja de fusibles o del disyuntor, y cambie los fusibles o reinicie el disyuntor. <hr/> <ul style="list-style-type: none"> • Esto es normal. El Zoneline se pondrá en marcha de nuevo después de haberse reiniciado. <hr/> <ul style="list-style-type: none"> • Si hay un corte de energía, configure el control de modo en STOP (apagado). Cuando vuelva la energía, programe el control de modo en la configuración deseada. • Hay una demora protectora (de hasta 3 minutos) para prevenir la interrupción de la sobrecarga del compresor. Por esa razón, la unidad reiniciará la refrigeración o calefacción a los 3 minutos de haber sido encendida de nuevo. <hr/> <ul style="list-style-type: none"> • Presione el botón RESET ubicado en el cable de alimentación o la caja cercana al enchufe. • Si el botón RESET no se mantiene en su lugar, no utilice más el Zoneline y comuníquese con un técnico calificado.
Solucionar problemas	El Zoneline no enfría o calienta como corresponde	<p>La circulación de aire interna se encuentra restringida.</p> <hr/> <p>La circulación de aire externa se encuentra restringida o hay recirculación de aire.</p> <hr/> <p>El control de temperatura está mal configurado.</p> <hr/> <p>El filtro de aire está sucio.</p> <hr/> <p>La habitación estaba muy fría o muy caliente.</p> <hr/> <p>Está ingresando aire exterior a la habitación.</p>	<ul style="list-style-type: none"> • Asegúrese de que no haya cortinas, persianas o muebles bloqueando el frente de Zoneline. <hr/> <ul style="list-style-type: none"> • Asegúrese de que la parrilla trasera no esté cerrada. Esto puede provocar que la unidad se apague debido al protector de sobrecarga del compresor. • La parrilla externa debe tener un área libre de por lo menos 65%. Las parrillas que no son GE pueden ser demasiado pequeñas para un desempeño adecuado. Consulte a su vendedor. <hr/> <ul style="list-style-type: none"> • Gire el control a una configuración menor o mayor. NOTA: El limitador de temperatura puede estar acortando el rango de temperatura. <hr/> <ul style="list-style-type: none"> • Limpie el filtro de aire por lo menos cada 30 días. Ver la sección <i>Instrucciones de operación</i>. <hr/> <ul style="list-style-type: none"> • Cuando recién se enciende, Zoneline necesita un tiempo prudencial para enfriar a calentar una habitación. <hr/> <ul style="list-style-type: none"> • Configure el control de ventilación en la posición cerrada.
Sopote al consumidor			

Problema	Causas posibles	Qué hacer
Olor a quemado en el comienzo de la operación de calefacción	Hay polvillo sobre la superficie del elemento de calefacción.	<ul style="list-style-type: none"> Esto puede provocar olor a "quemado" al comienzo de la operación de calefacción. Este olor desaparece con rapidez.
El aire no siempre está fresco o caliente durante la operación	La bomba de calor no está generando aire caliente.	<ul style="list-style-type: none"> Esto es normal. La bomba de calor emana aire caliente pero no tanto como el aire que se genera cuando se utiliza una calefacción eléctrica de mayor costo.
	Los controles auxiliares de ventilador inteligente pueden estar activados en ventilación continua.	<ul style="list-style-type: none"> Esto provoca que la ventilación haga circular aire a temperatura ambiente aún cuando el compresor o calefactor esté apagado. El movimiento de aire continuo brinda un mejor control de temperatura global en el modo cool (frío). Ver <i>Ventilador inteligente—Refrigeración/Calefacción</i> en la página 5.
El aire no se siente lo suficientemente caliente durante la operación de calefacción	La bomba de calor sola produce aire que se siente más frío de lo deseado.	<ul style="list-style-type: none"> Utilice la opción de calefacción eléctrica. Esta apaga la bomba de calor y calefacciona sólo con calor eléctrico. NOTA: El uso de esta opción provocará un incremento en el consumo de energía.
La unidad no emite aire	Los controles auxiliares de ventilador inteligente pueden estar configurados para el ciclo de encendido y apagado.	<ul style="list-style-type: none"> Ver la sección <i>Controles auxiliares</i>. Ver <i>Ventilador inteligente—Refrigeración/Calefacción</i> en la página 5.
La calefacción eléctrica no funciona	El cable de energía no se encuentra bien enchufado.	<ul style="list-style-type: none"> Retire el gabinete del ambiente y asegúrese de que el conector amarillo al final del cable se encuentre firmemente enchufado.
El visualizador de temperatura muestra una luz intermitente	El compresor puede haber fallado.	<ul style="list-style-type: none"> Establezca el control de operación en STOP (detener) y luego encienda de nuevo la unidad. Si la luz intermitente aparece de nuevo en menos de 30 minutos, llame para solicitar servicio.

Seguridad




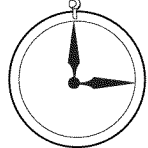
Operación

Cuidado y limpieza

Solucionar problemas

Soporte al consumidor

Estos sonidos son normales.

Seguridad	<p>Sonidos normales de operación</p> <p>¡TIN! ¡PUM!</p>  <p>Se puede escuchar un sonido metálico provocado por el ascenso de agua y su choque contra el condensador en días lluviosos o cuando hay una elevada humedad. Esta característica de diseño ayuda a eliminar humedad y mejorar la eficiencia.</p>
Operación	<p>"CLIC"</p> <p>Se pueden escuchar diferentes "clics" cuando los controles se apagan y encienden o cuando se ajustan para cambiar la temperatura de la habitación.</p> <p>GOTEO</p>  <p>En días lluviosos o de elevada humedad se acumula agua en la bandeja de la base. El agua puede derramarse y gotear desde el lado externo de la unidad.</p>
Cuidado y limpieza	<p>WHIR!</p>  <p>El ventilador interno funciona continuamente cuando la unidad está operando en el modo de enfriamiento, unless the Smart Fan Auxiliary Control is set to cycle. Esto provocará que el ventilador se encienda y apague junto al compresor. También puede escucharse un ventilador que se enciende y apaga.</p>
Solucionar problemas	<p>Demora de 3 minutos</p>  <p>Notará que Zoneline demora unos minutos en volver a encenderse si se trata de reanudar el funcionamiento demasiado rápido después de apagarlo o si se ajusta el termostato segundos después de que el compresor se haya apagado. Esto se debe a un protector incorporado del compresor que provoca una demora de 3 minutos.</p> <p>SILENCIO</p> <p>Durante el ciclo de descongelado, los ventiladores internos y externos se detienen y el compresor funciona en el modo de enfriamiento para quitar la escarcha de las serpentinas externas. Después del descongelamiento, la unidad se reinicia en calefacción eléctrica para calentar la habitación rápidamente al nivel de confort deseado.</p>
Soporte al consumidor	<p>PROTECCIÓN DEL COMPRESOR</p> <p>Para proteger el compresor y para prevenir los encendidos y apagados inmediatos, la unidad está diseñada para funcionar por un mínimo de 3 minutos después de que el compresor se enciende en cualquier configuración de termostato.</p>

Garantía de Zoneline.



Todos los servicios de garantía los proporcionan nuestros Centros de Reparación de Fábrica o nuestros técnicos Customer Care® autorizados. Para concertar una cita de reparación en línea, visítenos al GEAppliances.com, o llame al 800.GE.CARES (800.432.2737). Cuando llame para solicitar servicio, por favor tenga a mano el número de serie y el número de modelo.

Engrape su recibo aquí. Es necesario una prueba de su compra original para obtener servicio bajo la garantía.

Por el período de:	GE reemplazará
Un año A partir de la fecha de la compra original	Cualquier parte del acondicionador de aire que falle debido a defectos en los materiales o en la fabricación. Durante esta garantía limitada de un año , GE también proporcionará, sin costo alguno , toda la mano de obra y el servicio relacionado para reemplazar partes defectuosas.
Cinco años A partir de la fecha de la compra original	Cualquier parte del sistema de refrigeración sellada (compresor, condensador, evaporador y tuberías de conexión) que fallen debido a defectos en los materiales o fabricación. Durante estos cuatro años adicionales de garantía limitada , GE también proporcionará, sin costo alguno , toda la mano de obra y el servicio relacionado para reemplazar partes defectuosas.
Cinco años A partir de la fecha de la compra original	Desde el segundo hasta el quinto año desde la fecha de compra original, GE reemplazará ciertas partes que fallen debido a un defecto de los materiales o de la mano de obra. Las partes cubiertas son motores de ventilación, interruptores, termostatos, calefactor, protectores del calefactor, sobrecarga del compresor, solenoides, placas de circuito, controles auxiliares, termistores, controles de escarcha, bomba ICR, condensadores, resistencias no lineales y sostén interno del ventilador. Durante estos cuatro años adicionales de garantía limitada , el comprador se hará responsable de la mano de obra o de los costos de servicio relacionado.

Lo que GE no cubrirá:

- Viajes de servicio a su ubicación para mostrarle cómo funciona el equipo.
- Instalación o entrega inapropiada, o mantenimiento impropio.
Si usted tiene un problema durante la instalación, o si su acondicionador de aire no tiene la capacidad de enfriamiento que usted necesita, póngase en contacto con nuestro distribuidor o instalador. Usted es responsable de proporcionar las facilidades de conexión eléctrica necesarias.
- En ubicaciones comerciales, la mano de obra necesaria para retirar la unidad hacia un lugar para revisión por parte de un técnico individual.
- Fallas o daños provocados por la corrosión debido a la instalación en medio que contenga químicos corrosivos.
- Reemplazo de fusibles o reajuste de los interruptores de circuito.
- Fallas del producto provocadas por modificaciones al producto o debido a un uso irrazonable, o la falta de un mantenimiento adecuado y necesario.
- Fallas o daños provocados por la corrosión debido a la instalación en una región costera, excepto en modelos tratados con una protección anticorrosiva especial aplicada en la fábrica, como lo establece el número de modelo.
- Daño al producto causado por voltaje inapropiado hacia el equipo, accidentes, incendios, inundaciones o actos de la naturaleza de fuerza mayor.
- Daños incidentales o consecuenciales a propiedad personal causados por defectos posibles con este acondicionador de aire.
- Daños después de la entrega.
- Producto no accesible para facilitar el servicio requerido.

EXCLUSIÓN DE GARANTÍAS IMPLÍCITAS—Su único y exclusivo derecho es la reparación del producto, tal y como se indica en esta Garantía limitada. Cualquier garantía implícita, incluyendo las garantías implícitas de comerciabilidad o adecuación para un fin determinado, están limitadas a un año o el período de tiempo más breve permitido por la ley.

Esta garantía se extiende al comprador original y cualquier comprador posterior de productos comprados para uso dentro de Estados Unidos y Canadá. Si el producto está situado en un área que no dispone de servicio por parte de un proveedor de servicio autorizado de GE, podría tener que hacerse cargo de los costes de envío o bien podría solicitársele que lleve el producto a una centro de servicio de GE autorizado para realizar la reparación. En Alaska, la garantía excluye el costo de envío o las visitas de servicio a su ubicación.

Algunos estados no permiten la exclusión o las limitaciones de daños incidentales o consecuenciales. Esta garantía da derechos legales específicos, y usted podría tener otros derechos que variarán de estado a estado. Para saber cuáles son sus derechos legales, consulte a la oficina de asuntos del consumidor local o la oficina del Attorney General en su localidad.

Seguridad

Operación

Cuidado y limpieza

Solucionar problemas

Soporte al consumidor

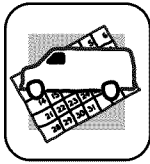
Soporte al consumidor.



Página Web de GE Appliances

GEAppliances.com

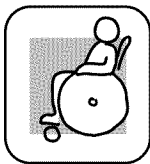
¿Tiene alguna pregunta sobre su electrodoméstico? ¡Pruebe la página Web de GE Appliances 24 horas al día, cualquier día del año! Para mayor conveniencia y servicio más rápido, ya puede descargar los Manuales de los Propietarios, pedir piezas o incluso hacer una cita en línea para que vengan a realizar una reparación.



Solicite una reparación

GEAppliances.com

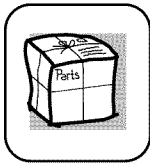
El servicio de expertos GE está a tan sólo un paso de su puerta. ¡Entre en línea y solicite su reparación cuando le venga bien cualquier día del año! O llame al 800.GE.CARES (800.432.2737) durante horas normales de oficina.



Real Life Design Studio (Estudio de diseño para la vida real)

GEAppliances.com

GE apoya el concepto de Diseño Universal—productos, servicios y ambientes que pueden usar gente de todas las edades, tamaños y capacidades. Reconocemos la necesidad de diseñar para una gran gama de habilidades y dificultades físicas y mentales. Para más detalles sobre las aplicaciones de GE Diseño Universal, incluyendo ideas de diseño para la cocina para personas con discapacidades, mire nuestra página Web hoy mismo. Para personas con dificultades auditivas, favor de llamar al 800.TDD.GEAC (800.833.4322).



Piezas y accesorios

GEAppliances.com

Aquellos individuos con la calificación necesaria para reparar sus propios electrodomésticos pueden pedir que se les manden las piezas o accesorios directamente a sus hogares (aceptamos las tarjetas VISA, MasterCard y Discover). Haga su pedido en línea hoy, 24 horas cada día o llamar por teléfono al 800.626.2002 durante horas normales de oficina.

Las instrucciones descritas en este manual cubren los procedimientos a seguir por cualquier usuario. Cualquier otra reparación debería, por regla general, referirse a personal calificado autorizado. Debe ejercerse precaución ya que las reparaciones incorrectas pueden causar condiciones de funcionamiento inseguras.



Póngase en contacto con nosotros

GEAppliances.com

Si no está satisfecho con el servicio que recibe de GE, póngase en contacto con nosotros en nuestra página Web indicando todos los detalles así como su número de teléfono o escríbanos a:

General Manager, Customer Relations
GE Appliances, Appliance Park
Louisville, KY 40225



Registre su electrodoméstico

GEAppliances.com

¡Registre su nuevo electrodoméstico en línea—cuando usted prefiera! El registrar su producto a tiempo le proporcionará, si surgiera la necesidad, una mejor comunicación y un servicio más rápido bajo los términos de su garantía. También puede enviar su tarjeta de registro pre-impresa que se incluye en el material de embalaje.