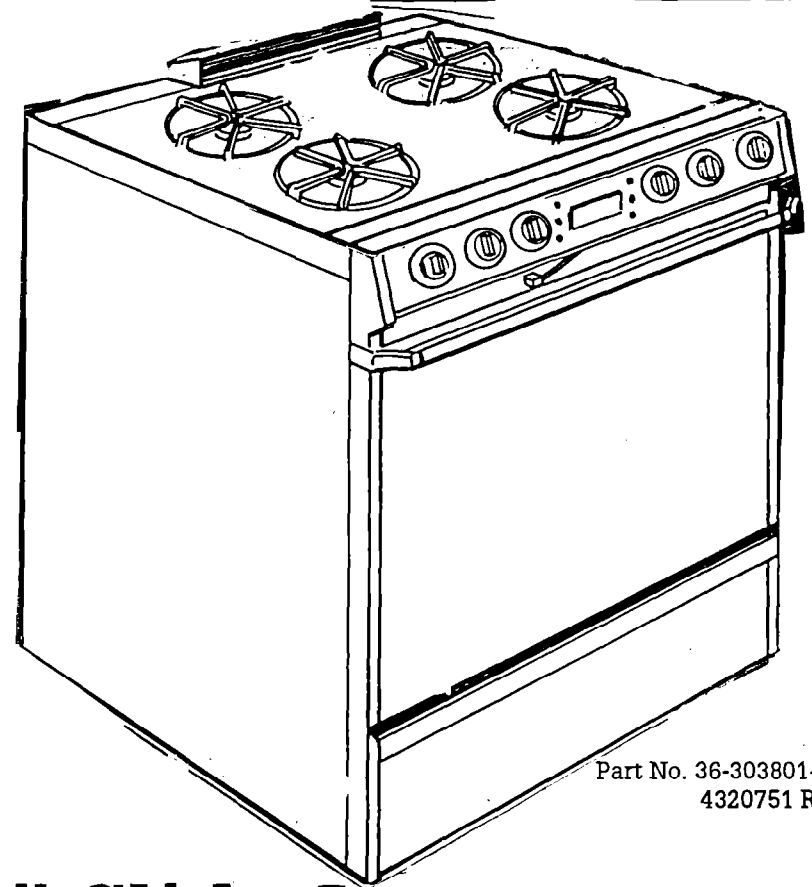


Installation Instructions

	⚠ WARNING
	<ul style="list-style-type: none">• ALL RANGES CAN TIP• INJURY TO PERSONS COULD RESULT• INSTALL ANTI-TIP DEVICE PACKED WITH RANGE• SEE INSTALLATION INSTRUCTIONS



Part No. 36-303801-02-0/
4320751 Rev. B

IMPORTANT:
Read and save
these instructions.

IMPORTANT:

Installer: Leave Installation Instructions with the homeowner.

Homeowner: Keep Installation Instructions for future reference.

Save Installation Instructions for local electrical inspector's use.

**30" Slide-In
Gas Range**
with self-cleaning oven

ROPER™
Appliances

4-93

Before you start...

Proper installation is your responsibility. A qualified technician should install this range. Make sure you have everything necessary for correct installation. It is the responsibility of the installer to comply with the installation clearances specified on the serial/rating plate. The serial/rating plate is located under the range cooktop.

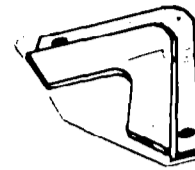
ALL OPENINGS IN THE WALL OR FLOOR WHERE THE RANGE IS TO BE INSTALLED MUST BE SEALED.

Check location where range will be installed. The location should be away from strong draft areas, such as windows, doors, and strong heating vents or fans. The range should be located for convenient use in the kitchen. Recessed installations must provide complete enclosure of the sides and rear of range.

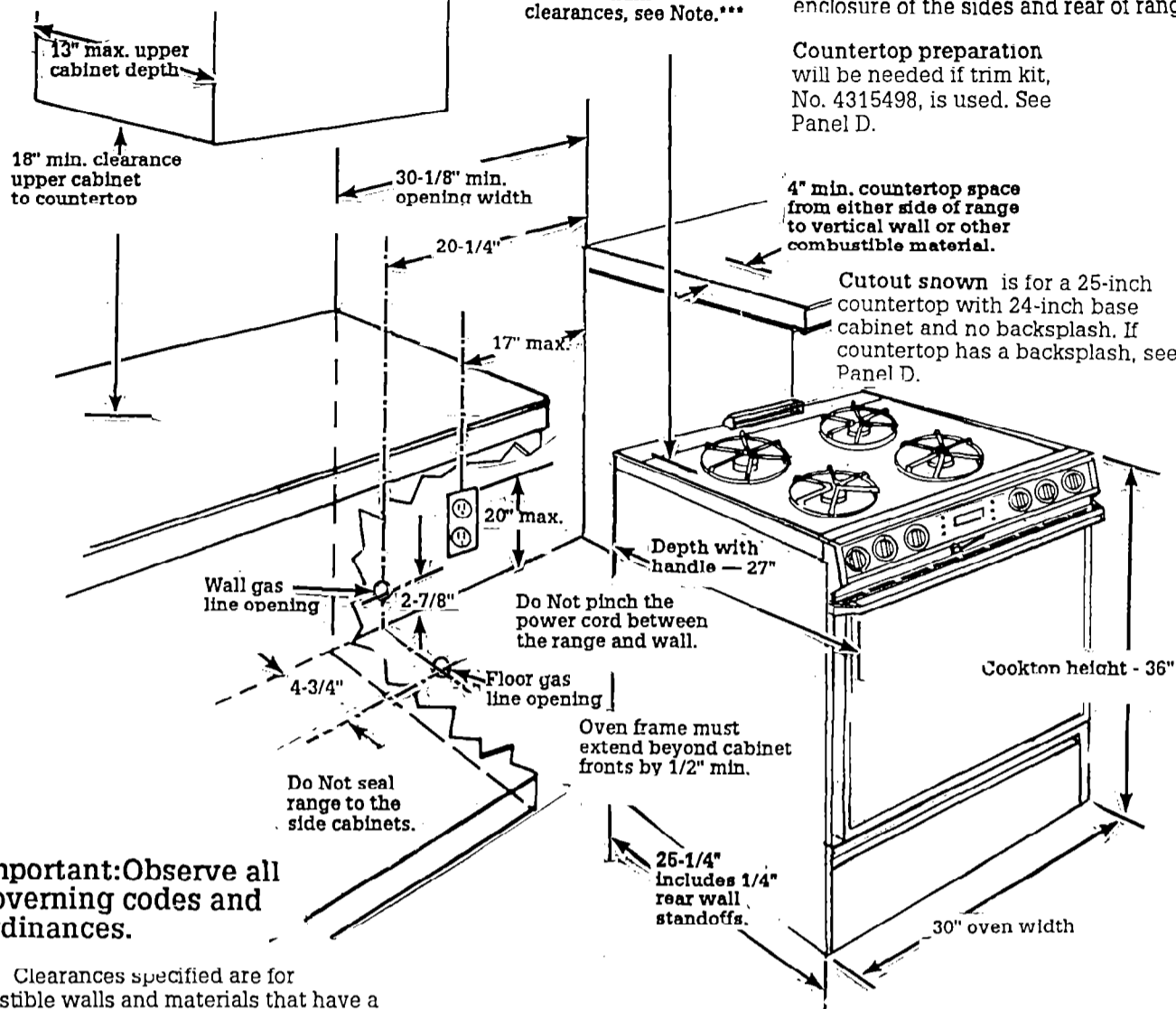
Countertop preparation will be needed if trim kit, No. 4315498, is used. See Panel D.

*** Note: 30" min. when bottom of wood or metal cabinet is protected by not less than 1/4" flame retardant millboard covered with not less than No. 28 MSG sheet steel, 0.015" stainless steel, 0.024" aluminum or 0.020" copper.

36" min. clearance between the top of the cooking platform and the bottom of an unprotected wood or metal cabinet.



The anti-tip bracket must be installed. For detailed instructions, see Panel B.



Important: Observe all governing codes and ordinances.

NOTE: Clearances specified are for combustible walls and materials that have a density of 20 or more pounds per cubic foot. No evaluation of clearances has been made for installation adjacent to materials that are less than 20 pounds per cu. ft. or to plastic tiles and sheeting.

Grounded electrical outlet is required. See Electrical requirements.

Proper gas supply connection must be available. See Gas supply requirements.

Mobile Home Installation

The installation of this range must conform to the Manufactured Home Construction and Safety Standards, Title 24 CFR, Part 3280 (formerly the Federal Standard for Mobile Home Construction and Safety, Title 24, HUD Part 280) or when such standard is not applicable, the Standard for Manufactured Home Installation 1982 (Manufactured Home Sites, Communities and Setups), ANSI Z225.1-NFPA 501A - 1987 or latest edition, or with local codes. When this range is installed in a mobile home, it must be secured to the floor. Any method of securing the range is adequate as long as it conforms to the standards listed above.

Copies of the standards listed may be obtained from:

- * National Fire Protection Association
Batterymarch Park
Quincy, Massachusetts 02269
- ** American Gas Association
1515 Wilson Boulevard
Arlington, Virginia 22209

WARNING: If the information in this manual is not followed exactly, a fire or explosion may result causing property damage, personal injury or death.

- Do Not store or use gasoline or other flammable vapors and liquids in the vicinity of this or any other appliance.
- **WHAT TO DO IF YOU SMELL GAS**
 - Do Not try to light any appliance.
 - Do Not touch any electrical switch; Do Not use any phone in your building.
 - Immediately call your gas supplier from a neighbor's phone. Follow the gas supplier's instructions.
 - If you cannot reach your gas supplier, call the fire department.
- Installation and service must be performed by a qualified installer, service agency or the gas supplier.

WARNING

Fire Hazard

Do Not obstruct the flow of combustion and ventilation air.

Personal Injury Hazard

Avoid installing cabinet storage above the cooking surface. If cabinets are already installed, reduce the hazard of reaching over a heated cooking surface by installing a range hood. The range hood should extend a minimum of 5 inches out from the bottom front of the cabinets. Reaching over a heated cooking surface could result in a serious burn.

Electrical Shock Hazard

It is the customer's responsibility:

- To contact a qualified electrical installer.
- To assure that the electrical installation is adequate and in conformance with National Electrical Code, ANSI/NFPA 70 — latest edition*, and all local codes and ordinances.

Failure to do so could result in electrical shock or other personal injury.

Gas supply requirements

Observe all governing codes and ordinances.

WARNING

Fire Hazard

- Range must be connected to a regulated gas supply.
 - L.P. gas supply must Not exceed a pressure of 14" water column. This must be checked by a qualified technician before installing the range.
 - Do Not use an open flame to test for leaks from gas connections.
 - New, A.G.A. design-certified, flexible gas line should be used when codes permit.
- Failure to follow these instructions could result in a fire, explosion or personal injury.

A.

This installation must conform with local codes and ordinances. In the absence of local codes, installations must conform with American National Standard, National Fuel Gas Code ANSI Z233.1-latest edition**.

B.

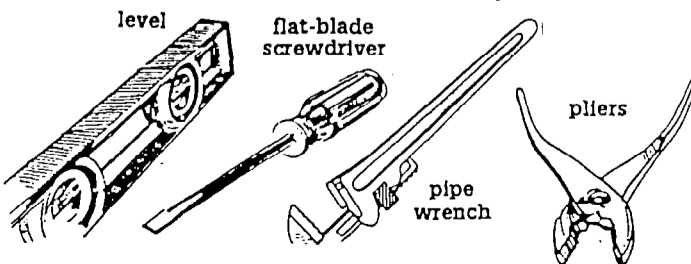
Input rating shown on the serial/rating plate are for elevations up to 2,000 feet. For elevations above 2,000 feet, rating are reduced at a rate of 4% for each 1,000 feet above sea level.

C.

This range is equipped for use with NATURAL gas. It is design-certified by A.G.A. for NATURAL and L.P. gases with appropriate conversion. The serial/rating plate located under the cooktop has information on the type of gas that can be used. If this information does not agree with the type of gas available, check with the local gas supplier. See Panel E for L.P. gas conversion instructions.

Tools needed for installation:

Hand or electric drill
wood floors: 3/32" drill bit
concrete/ceramic floor: 3/16" masonry drill bit



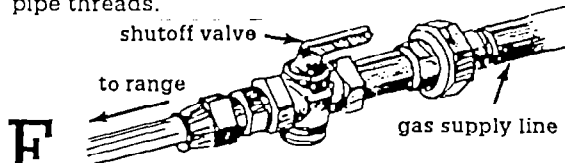
D.

Provide a gas supply line of 3/4" rigid pipe to the range location. A smaller size pipe on long runs may result in insufficient gas supply. Pipe-joint compounds made for use with L.P. gas must be used. With L.P. gas, piping or tubing size can be 1/2" minimum. L.P. gas suppliers usually determine the size and materials used on the system.



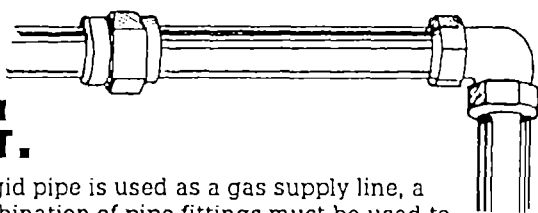
E.

If local codes permit, A.G.A.-approved flexible metal tubing is recommended for connecting this range to the gas supply line. Do Not kink or damage the flexible tubing when moving the range. A 1/2" male pipe thread is needed for connection to pressure regulator female pipe threads.



F.

The supply line shall be equipped with an approved shutoff valve. This valve should be located in the same room as the range and should be in a location that allows ease of opening and closing. Do Not block access to shutoff valve.



G.

If rigid pipe is used as a gas supply line, a combination of pipe fittings must be used to obtain an in-line connection to the range. All strains must be removed from the supply and fuel lines so range will be level and in line.

H.

The regulator must be checked at a minimum of 1-inch water column above the set pressure. The inlet pressure to the regulator should be as follows for operation:

- NATURAL GAS:**
Set pressure 6 inches
Maximum pressure 14 inches
- L.P. GAS**
Set pressure 11 inches
Maximum pressure 14 inches

I. Line pressure testing:

Testing above 1/2 lb psi (gauge)

The range and its individual shutoff valve must be disconnected from the gas supply piping system during any pressure testing of that system at test pressures greater than 1/2 psig (3.5 kPa).

Testing at 1/2 lb psi (gauge)

The range must be isolated from the gas supply piping system by closing its individual manual shutoff valve during any pressure testing of the gas supply piping system at test pressures equal to or less than 1/2 psig (3.5 kPa).

Electrical requirements

⚠ WARNING

Electrical Shock Hazard

- Electrical ground is required on this appliance.
- Improper connection of the equipment-grounding conductor can result in fire, electrical shock, or other personal injury.
- Check with a qualified electrician if you are in doubt as to whether the appliance is properly grounded.
- Do Not modify the power supply cord plug. If it does not fit the outlet, have a proper outlet installed by a qualified electrician.
- Do Not use an extension cord with this appliance.
- Do Not have a fuse in the neutral or grounding circuit. A fuse in the neutral or grounding circuit could result in an electrical shock.

Failure to follow these instructions could result in a fire, electrical shock or other personal injury.

A 120-volt, 60-Hz, AC-only, 15-ampere, fused electrical supply is required. A time-delay fuse or circuit breaker is recommended. It is recommended that a separate circuit serving only this appliance be provided.

Electronic ignition systems operate within wide voltage limits, but proper grounding and polarity are necessary. In addition to checking that the outlet provides 120-volt power and is correctly grounded, the outlet must be checked by a qualified electrician to see if it is wired with correct polarity.

The wiring diagram is included in the literature package. The wiring diagram is also located on the back of the range.

Recommended grounding method

DO NOT, UNDER ANY CIRCUMSTANCES, REMOVE THE POWER SUPPLY CORD GROUNDING PRONG.

For personal safety, this appliance must be grounded. This appliance is equipped with a power supply cord having a 3-prong grounding plug. To minimize possible shock hazard, the cord must be plugged into a mating 3-prong, grounding-type wall receptacle, grounded in accordance with the National Electrical Code, ANSI/NFPA 70-latest edition* and all local codes and ordinances. (See Figure 1.) If a mating wall receptacle is not available, it is the personal responsibility and obligation of the customer to have a properly grounded, 3-prong wall receptacle installed by a qualified electrician.

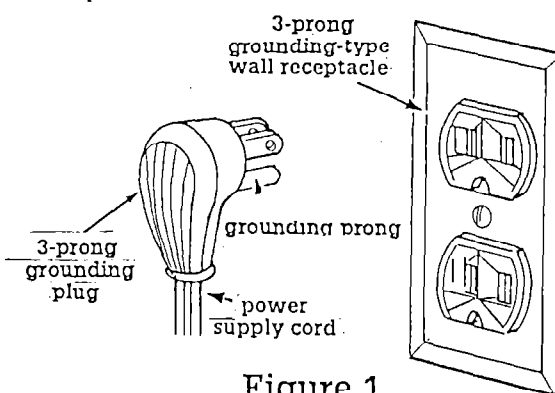


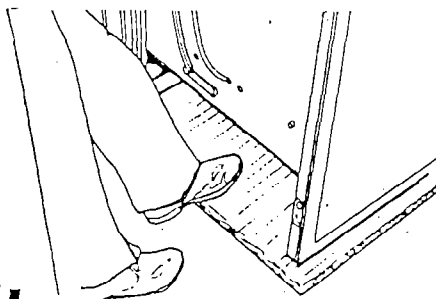
Figure 1

Now start...

With range in kitchen.

1.

Remove racks and other parts from inside oven.



2.

Place one foot on the shipping base. Tilt range forward slightly to free rear legs. Gently lower range to floor. Tilt range backwards until front legs are free.

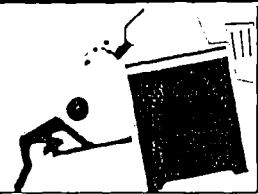
3.

Remove shipping materials, tape and protective film from range. Do Not remove cardboard shipping base at this time.

4.

Lower leveling legs approximately 1/4" or to a point where the range base does not touch the floor.

⚠ WARNING

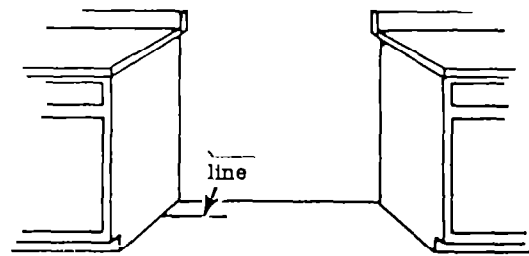
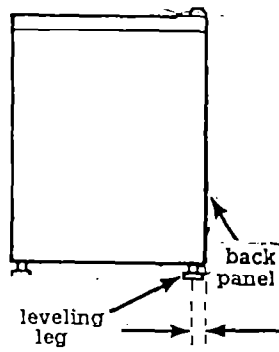


- To prevent tipping, install range anti-tip bracket.
- Save these Installation Instructions. If range is moved to a new location, the anti-tip bracket must be removed and reinstalled in the new location.

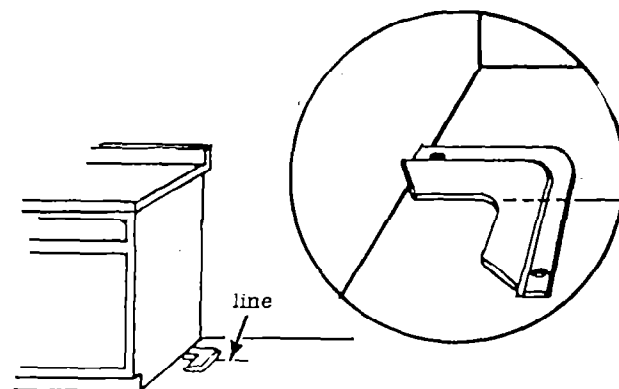
5.

One anti-tip bracket must be installed. If two brackets came with your range, the second one may be discarded.

- Measure the distance from the center of the leveling leg to the furthest point that extends from the back of the range.



- Mark on the floor the distance just measured from the rear of the cabinet opening or wall where the range will be installed. Additional space may be needed for gas line located behind the range.



- Place one end of the anti-tip bracket on the floor against the cabinet side so that the inside edge of the bracket is aligned with the line drawn.

Note: If there is a cabinet on only one side, the anti-tip bracket must be installed against the cabinet.

6.

Use a pencil to mark the two mounting screw hole locations on anti-tip bracket. Remove bracket from position.

⚠ CAUTION

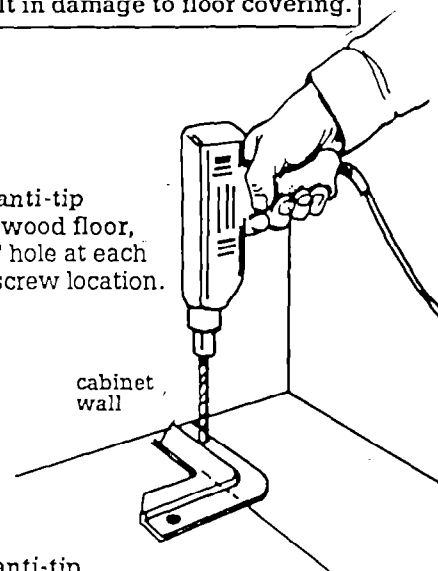
Floor Damage

- Contact a qualified carpet installer for the best procedure to drill mounting holes through your type carpet.
- Before moving range across floor, check that range is on shipping base or slide range onto cardboard or hardboard.

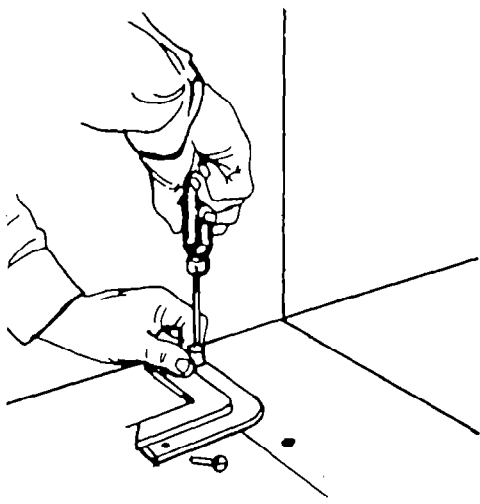
Failure to follow these instructions may result in damage to floor covering.

7.

To mount anti-tip bracket to wood floor, drill a 3/32" hole at each mounting screw location.



To mount anti-tip bracket to concrete or ceramic floor, use a masonry drill bit to drill 3/16" holes at each mounting screw location. Tap plastic anchors into mounting holes in floor with hammer.

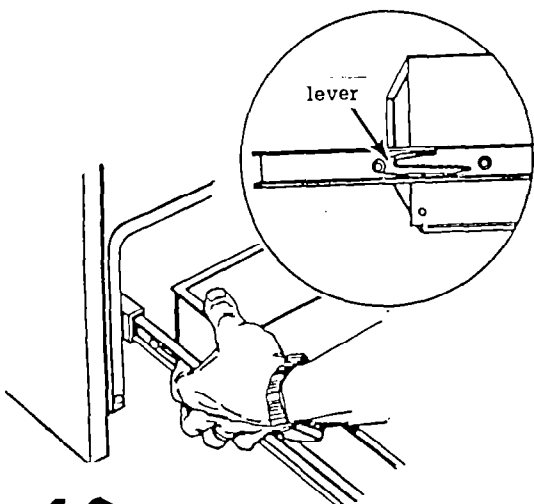


8.

Line up holes in anti-tip bracket with holes in floor. Use the screws provided to fasten anti-tip bracket to floor.

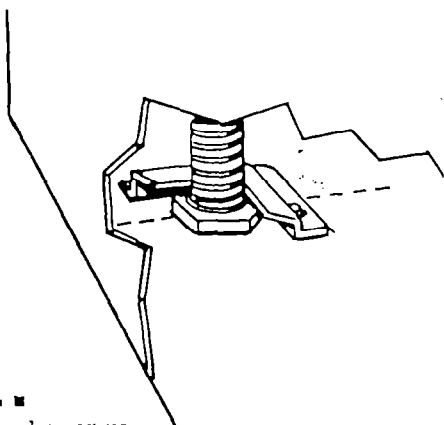
9.

Move range close to final position. Remove the cardboard or hardboard from under the range. Plug power supply cord into grounded outlet.



10.

Carefully move range into final position. Open storage drawer to the stop position. Pull up on the levers located in the tracks on the sides of the drawer. Pull the storage drawer away from the range. Set the drawer on a protected surface.

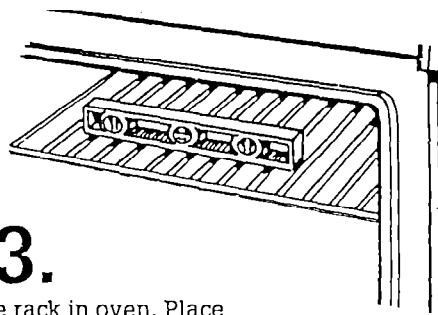


11.

Look under range (a flashlight may be needed) to check that the rear leveling leg is engaged in the anti-tip bracket. If leveling leg is not properly engaged, remove and reposition the bracket to insure that the leveling leg fits properly in the bracket.

12.

If installing the range in a mobile home, you **MUST** secure the range to the floor. Any method of securing the range to the floor is adequate as long as it conforms to the standards listed in the Mobile home installation instructions, Panel A.



13.

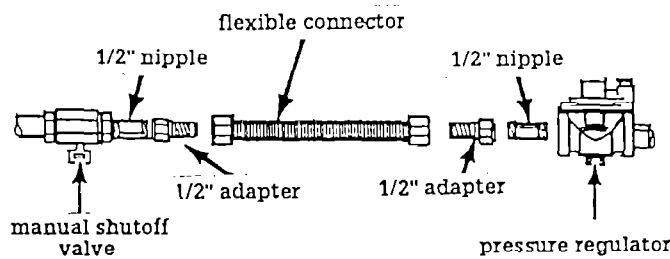
Place rack in oven. Place level on rack, first side to side; then front to back. If range is not level, pull the range forward until the rear leveling leg is removed from bracket. Adjust the legs up or down until the range is level. Push range back into position. Check that range leveling leg is engaged in bracket.

Note: Oven must be level for satisfactory baking conditions.

WARNING

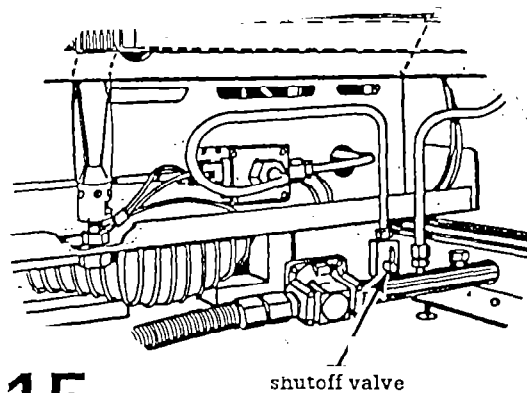
Fire Hazard
Do Not make connection too tight. The regulator is die cast. Overtightening may crack the regulator, resulting in a gas leak and possible fire or explosion.

All connections must be wrench-tightened.



14.

Assemble the flexible connector from the gas supply pipe to the pressure regulator in this order: manual shutoff valve, 1/2" nipple, 1/2" adapter, flexible connector, 1/2" adapter, and 1/2" nipple.



15.

Pipe-joint compound made for use with L.P. gas must be used to seal all gas connections. Check that the shutoff valve is open between the regulator and gas valves. If flexible connectors are used, be certain connectors are not kinked.

16.

Open the shutoff valve in the gas supply line. Wait a few minutes for gas to move through the gas line.

WARNING

Fire Hazard
Do Not use an open flame to test for leaks from gas connections. Checking for leaks with a flame may result in a fire or explosion.

17.

Use a brush and liquid detergent to test all gas connections for leaks. Bubbles around connections will indicate a leak. If a leak appears, shut off gas valve controls and adjust connections. Then check connections again. **NEVER TEST FOR GAS LEAKS WITH A MATCH OR OTHER FLAME.** Clean all detergent solution from range.

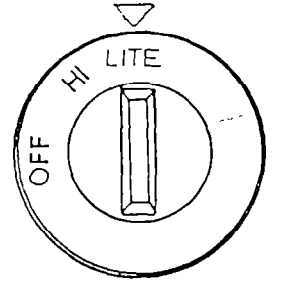
Electronic Ignition System.

Initial lighting and gas flame adjustments.

Cooktop and oven burners use electronic ignitors in place of standing pilots. When the cooktop control knob is turned to the "LITE" position, the system creates a spark to light the burner. This sparking continues until the control knob is turned to the desired setting.

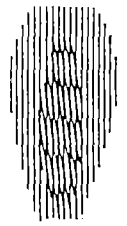
If oven control is turned to desired setting and sparks, the sparking will continue until oven pilot ignites; then the sparking stops automatically.

If oven control is turned to a desired setting and a glow bar heats to bright orange, the gas will ignite. No sparking occurs and glow bar will remain on while the burners operate.



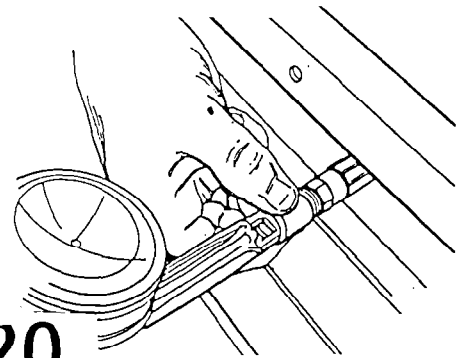
18.

Check the operation of the cooktop burners. Push in and turn each control knob to "LITE" position. The flame should light within 4 seconds. Do Not leave the knob in the "LITE" position after burner lights.



19.

After burner lights, turn control knob to "HI" position. Check each cooktop burner for proper flame. The small inner cone should have a very distinct blue flame 1/4" to 1/2" long. The outer cone is not as distinct as the inner cone.

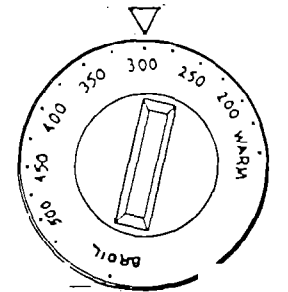


20.

If burners need adjusting for proper flame, remove burner grates and carefully lift up and lift off the maintop. Adjust the air shutter to the widest opening that will produce a sharp blue flame that does not lift or blow off of the burner. Repeat as necessary with each burner.

The low burner flame can be adjusted by turning the adjustment screw in the center of the valve stem until a minimum steady blue flame is produced. Turn the burner from high to low several times to be sure the flame does not go out.

Reinstall maintop and burner grates.

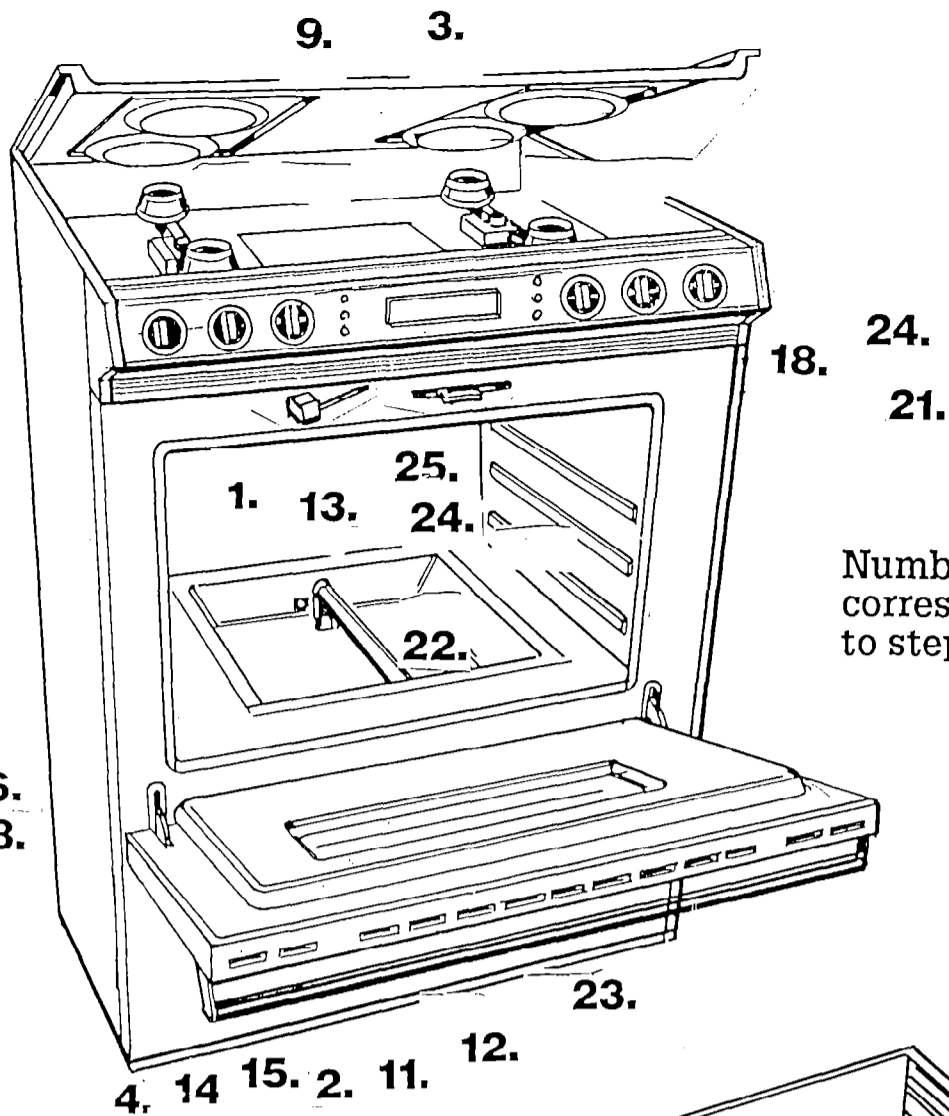


21.

Check the operation of the oven burner. Remove oven racks and oven bottom. Turn the oven selector knob to "BAKE". Push in and turn oven control knob to 300° F. The oven burner should light in 50-60 seconds. This delay is normal. The oven safety valve requires a certain time before it will open and allow gas to flow.

CAUTION

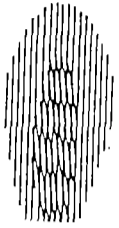
Product Damage
Do Not insert any object into the openings of the protective shield that surrounds the ignitor.
Do Not clean the area.
Failure to follow these instructions could result in product damage.



Numbers correspond to steps.

22.

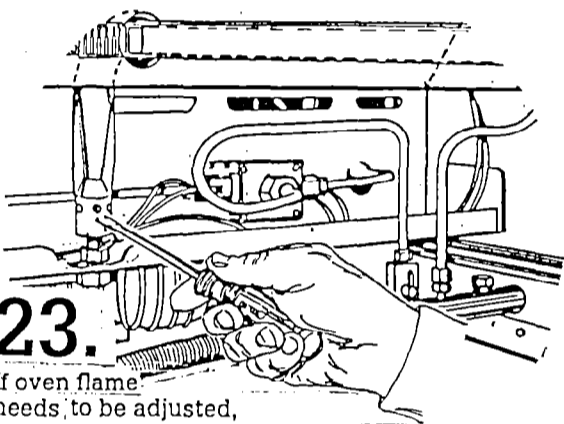
Check the oven burner for proper flame. This flame should be 1/2" long, with inner cone of bluish-green, and outer mantle of dark blue, and should be clean and soft in character. No yellow tips, blowing or lifting of flame should occur.



5. 6.
7. 8.

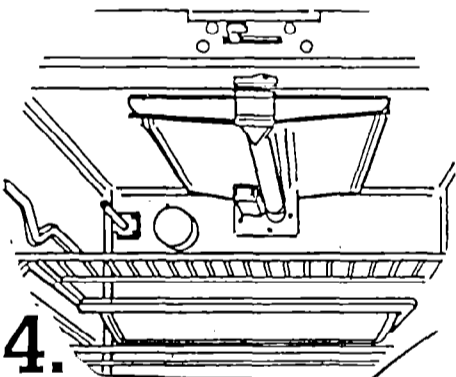
23.

If oven flame needs to be adjusted, Loosen screw and adjust the air shutter until the proper flame appears. Tighten screw. Replace oven bottom, oven racks, and storage drawer.



24.

Check the operation of the oven broil burner. Turn the oven selector knob to "BROIL". Push in and turn the oven control knob to "BROIL". The oven broil burner should light in 50 to 60 seconds. This delay is normal. The oven safety valve requires a certain time before it will open and allow gas to flow.



25.

The flame should be 1/2" long with an inner cone of bluish green and an outer mantle of dark blue. The flame should also be clean and soft in character with no blowing or lifting of flame.

If the flame needs to be adjusted:

1. Remove the two screws fastening the front of broil burner to the oven. Pull the broil burner forward. Loosen the lock screw on the air shutter located at the rear of the broil burner.

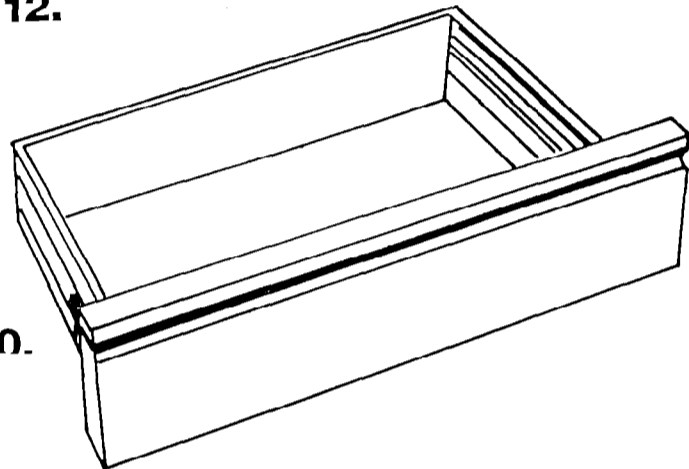
2. Adjust the air shutter as needed. Tighten the lock screw.

Congratulations!
You have just finished installing your new Roper range. Keep Installation Instructions and Guide close to range for easy reference.

4. 14 15. 2. 11. 12.

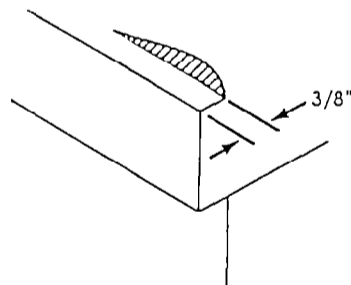
23.

10.

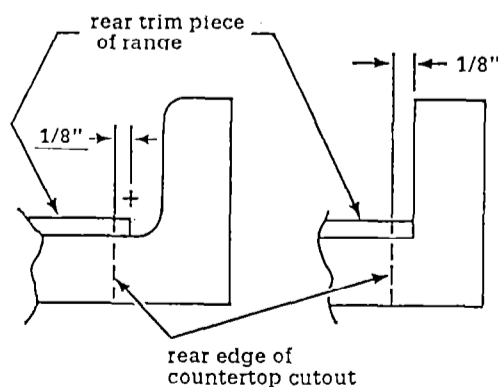


Countertop preparation:

If side trim kit is used, you may need to do the following. Metal-edged countertops must have trim cut back 3/8" from each front corner opening. Formed, front-edged countertops must have molded edge shaved flat 3/8" from each front corner of opening. Tile countertops may need trim cut back 3/8" from each front corner and/or rounded edge flattened.



Countertops with backsplash:



If countertop has a backsplash, cut the rear edge of countertop cutout as shown.

Note: To position range further back into the cabinet opening, the rear trim piece of the range can be cut. Be sure to remove any sharp edges.

L.P. gas conversion

⚠ WARNING

Fire Hazard

- Locate gas supply valve between pressure regulator and gas valve. Shut off gas supply valve in range before converting to L.P. gas.
- Make all cooktop, oven and broil burner conversions before turning the range gas supply back on.
- Do Not use an open flame to test for leaks from gas connection.

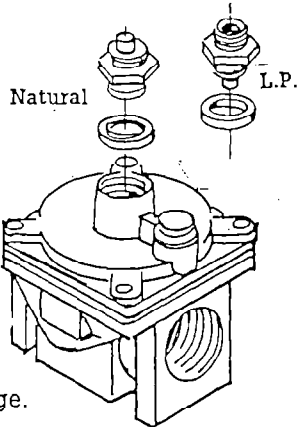
Failure to follow these instructions could result in a fire, explosion or personal injury.

Converting to L.P. Gas

Converting to L.P. gas should be done by a qualified installer.

A.

Complete Installation Steps 1-17 before converting your range to L.P. gas. Remove oven door, oven racks, lower panel from oven bottom and storage drawer. Shut off gas supply valve in range. Remove burner grates and carefully lift up and lift off the maintop.



B.

Only a qualified installer should install or adjust your gas range. Pressure Regulator:

The pressure regulator on your range may be one of five different types. Check Figures 5-9 to determine which pressure regulator you have to convert. Only follow the instructions that apply to that pressure regulator.

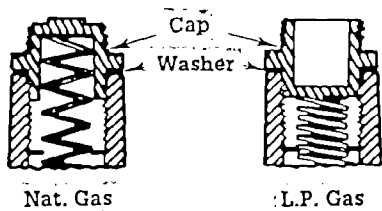


Figure 5

1. Remove the cap marked 'NAT.' and turn it over so it reads 'L.P.'. Then replace the cap. Do not disturb or remove the spring beneath the cap. Check that the fiber washer is between the cap and the body of the regulator. See Figure 5 for the correct position of the cap.

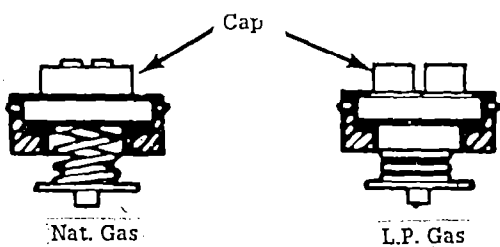


Figure 6

2. Remove the cap with screwdriver slot; turn it over; then replace the cap. This cap will then have the marking 'LPG10'. Do Not disturb or remove the spring beneath this cap. See Figure 6.

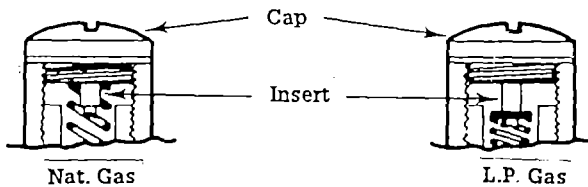


Figure 7

3. Remove the cap with screwdriver slot. Remove the black insert marked 'NAT.' from the cap (the insert fits very tightly). Reverse the insert and push it firmly back into the cap. The marking 'L.P.' should appear on the insert. Be sure the insert is pressed into the shoulder. Do Not disturb the spring in the body of the regulator.

Replace the cap in the body of the regulator and tighten. See Figure 7.

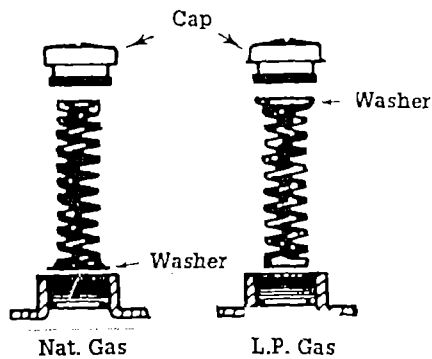


Figure 8

4. Remove the cap with screwdriver slot. Carefully remove the spring, then the washer. Place the spring on the regulator first, then the washer. Replace the cap over the washer and spring. Tighten cap. See Figure 8.

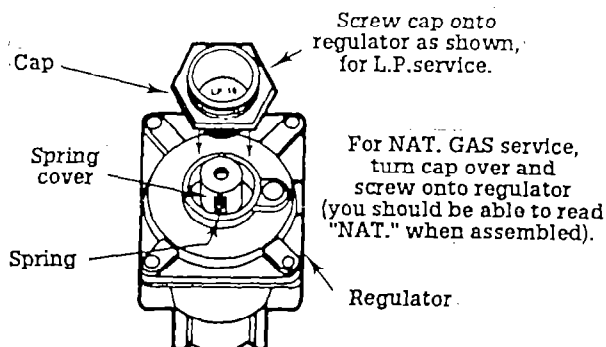
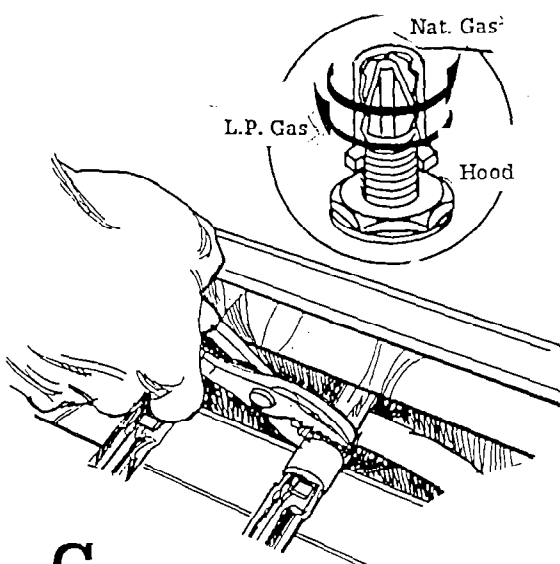


Figure 9

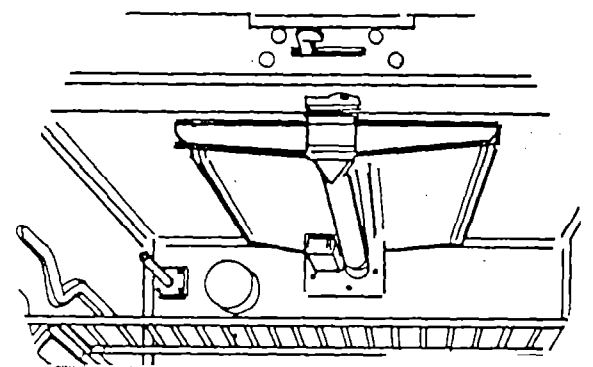
5. Use a wrench to unscrew the cap from the top by turning counter-clockwise. Turn the cap over so the hole end is up. Replace the cap and gasket on the regulator. DO NOT REMOVE THE PRESSURE REGULATOR. See Figure 9.



C.

Cooktop burners: Tighten the orifice hoods down snug onto pins (approximately 2 to 2-1/2 turns). DO NOT OVERTIGHTEN. The burner flames cannot be properly adjusted if this conversion is not made.

D. Broil burner:



⚠ CAUTION

Product Damage

The ignitor must remain in its shield when removing bar broil burner. Failure to do so could break ignitor.

1. Remove the two screws fastening the front of bar broil burner to the oven. Carefully pull the burner downward to remove. Be careful not to break the ignitor coil. Set burner aside.

2. Tighten the orifice hoods down snug onto pins (approximately 2 to 2-1/2 turns). DO NOT OVERTIGHTEN.

3. Carefully replace the burner, sliding the ignitor wires back into original position.

E.

Oven burner: Tighten the orifice hood down snug onto pin (approximately 2 to 2-1/2 turns). DO NOT OVERTIGHTEN. The burner flame cannot be properly adjusted if this conversion is not made.

Adjusting for proper flame

⚠ CAUTION

Product Damage

Electric ignitors are used to light the oven and broil burners. Do Not insert any object into the openings of the shield surrounding the ignitor coil. Do Not clean this area.

Failure to follow these instructions could result in product damage.

A.

After all burners have been converted, turn the range gas supply valve back on.

B.

Cooktop burners: Adjust the air shutters for proper flame by sliding the air shutter to close or open the shutter as needed. See Panel C, Step 20. L.P. gas has a slightly yellow tip on top of burner flames in addition to the other proper characteristics.

C.

Broil burner:

1. Remove the two screws fastening the front of broil burner to the oven. Pull the broil burner forward. Loosen the lock screw on the air shutter located at the rear of the broil burner.

2. Adjust the air shutter as needed. The flame should be 1/2" long with inner cone of bluish-green and outer mantle of dark blue. The flame also should be clean and soft in character with no blowing or lifting of flame. Tighten the lock screw.

D.

Oven burner: Loosen screw and adjust the air shutter as needed. See Panel D, Step 22. The flame should be 1/2" long, with inner cone of bluish-green, and outer mantle of dark blue. The flame also should be clean and soft in character with no blowing or lifting of flame. Tighten screw.

E.

Replace storage drawer, oven bottom, oven racks and oven door. Reinstall maintop and burner grates.

If range does not operate...

- Check that the circuit breaker is not tripped or the house fuse blown.
- Check that the power supply cord is plugged into wall receptacle.
- Check that the gas supply is turned on.

If you need assistance...

The Roper Consumer Assistance Center will answer any questions about operating or maintaining your range not covered in the Installation Instructions. The Roper Consumer Assistance Center is open 24 hours a day, 7 days a week. Just dial 1-(800) 447-6737 — the call is free.

When you call, you will need the range model number and serial number. Both numbers can be found on the serial/rating plate located under the range cooktop.

WARNING

Personal Injury/Product Damage Hazard

Do Not step, lean or sit on the range or the door or drawer of the range.

Failure to follow this instruction could result in personal injury and/or product damage.

For cleaning and maintenance...

If removing the range is necessary for cleaning or maintenance, shut off gas supply to the range. Disconnect the gas and electric supply.

If the range or electrical supply is inaccessible, lift the range slightly at the front and pull the range out away from the wall. Pull the range out only as far as necessary to disconnect the gas and electric supply lines.

Remove the range to complete cleaning or maintenance.

Move range back into operating position. Level the range. Connect gas line to range and check for leaks. Make sure that leveling leg(s) is engaged in the anti-tip bracket(s). Plug electric power supply cord into outlet.

NOTE: Refer to Use and Care Guide for operating instructions and cleaning instructions.

If you need service...

In the event that your Roper appliance should need service, call the dealer from whom you purchased the appliance or a Roper-authorized service company. A Roper-authorized service company is listed in the Yellow Pages under "Appliances — Household — Major — Service or Repair." You can also obtain the service company's name and telephone number by dialing, free, within the continental United States, the Roper Consumer Assistance Center telephone number, 1-(800) 447-6737. A special operator will tell you the name and number of your nearest Roper-authorized service company.

Maintain the quality built into your Roper appliance — call a Roper-authorized service company.

**ROPER**TM
Appliances