

Owner's Manual

30" Convection Wall Oven

ZET1R – Single Wall Oven
ZET2R – Double Wall Oven

Four mural à convection de 76 cm (30 po)

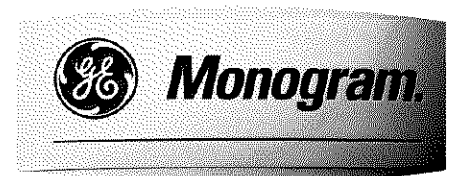
Manuel du propriétaire
ZET1R – Four mural simple
ZET2R – Four mural double

La section française commence à la page 55

Horno de convección de pared de 30"

Manual del propietario
ZET1R – Horno de pared simple
ZET2R – Horno de pared doble

La sección en español empieza en la página 105



Consumer Information

Wall Oven

Introduction

Your new Monogram wall oven makes an eloquent statement of style, convenience and kitchen planning flexibility. Whether you chose it for its purity of design, assiduous attention to detail—or for both of these reasons—you'll find that your Monogram wall oven's superior blend of form and function will delight you for years to come.

Your Monogram wall oven was designed to provide the flexibility to blend in with your kitchen cabinetry. Its sleek design can be beautifully integrated into the kitchen.

The information on the following pages will help you operate and maintain your wall oven properly.

Contents

Care and Cleaning		
Broiler Pan and Grid	42	
Control Panel	46	
Light Bulb	45	
Oven Door	44, 46	
Probe	44	
Racks	43	
Stainless Steel Surfaces	46	
Consumer Services		
Before You Call For Service	47, 48	
Important Phone Numbers	53	
Model and Serial Numbers	3	
Product Registration (U.S.A.)	49, 50	
Product Registration (Canada)	51, 52	
Safety Instructions	4-6	
Warranty	54	
Oven		
Aluminum Foil	9, 14	
Baking	11	
Broiling	14, 15	
Control Lockout	25	
Controls	8	
Convection	18-21	
Cook and Hold Option	34	
Dehydrate Option	34	
Delay Option	35	
Favorite Recipes	24	
Help	36	
Kitchen Timer	25	
Option Settings	37-41	
Auto Recipe™ Conversion	39	
Clock	37	
Clock Blackout	38	
Default	41	
Display Color	39	
Fahrenheit or Celsius		
Temperature Selection	38	
Kitchen Timer Signal	41	
Language	39	
Sound On/Off	40	
Sound Volume	40	
Thermostat	37	
Timer Signal	41	
12-Hour Shut-Off	38	
Oven	7-10	
Probe	16, 17, 20	
Proofing	30	
Racks	10	
Roasting	11	
Sabbath Option	36	
Self-Cleaning Oven	26-29	
Timed Baking and Roasting	12, 13	
Timed Convection Baking and Roasting	22, 23	
Two Temps Option	33	
Warming	31-32	

How to remove protective shipping film and packaging tape

Carefully grasp a corner of the protective shipping film with your fingers and slowly peel it from the appliance surface. Do not use any sharp items to remove the film. Remove all of the film before using the appliance for the first time.

To assure no damage is done to the finish of the product, the safest way to remove the adhesive from packaging tape on new appliances is an application of a household liquid dishwashing detergent. Apply with a soft cloth and allow to soak.

NOTE: The adhesive must be removed from all parts. It cannot be removed if it is baked on.

Consumer Information

Wall Oven

Before using your wall oven

Read this manual carefully. It is intended to help you operate and maintain your new wall oven properly.

Keep it handy for answers to your questions.

If you don't understand something or need more help, there is a list of toll-free consumer service numbers included in the back section of this manual.

OR

Visit our Website at: monogram.com

Write down the model & serial numbers

You'll find them on a label on the front left trim behind the oven door.

Fill out and return the Consumer Product Registration Card that is packed with this product.

Before sending in this card, please write these numbers here:

Model Number

Serial Number

Use these numbers in any correspondence or service calls concerning your wall oven.

If you received a damaged wall oven

Immediately contact the dealer (or builder) that sold you the wall oven.

Save time & money

Before you request service, check the Problem Solver in the back of this manual.

It lists causes of minor operating problems that you can correct yourself.

If you need service

To obtain service, see the Consumer Services page in the back of this manual.

We're proud of our service and want you to be pleased. If for some reason you are not happy with the service you receive, here are two steps to follow for further help.

FIRST, contact the people who serviced your appliance. Explain why you are not pleased. In most cases, this will solve the problem.

NEXT, if you are still not pleased, write all the details—including your phone number—to:

Manager, Customer Relations
GE Appliances
Appliance Park
Louisville, KY 40225

IMPORTANT SAFETY INSTRUCTIONS

IMPORTANT SAFETY NOTICE

- **The California Safe Drinking Water and Toxic Enforcement Act** requires the Governor of California to publish a list of substances known to the state to cause cancer, birth defects or other reproductive harm, and requires businesses to warn customers of potential exposure to such substances.
- **The fiberglass insulation in self-clean ovens gives off a very small amount of carbon monoxide during the cleaning cycle.** Exposure can be minimized by venting with an open window or using a ventilation fan or hood.
- **IMPORTANT:** The health of some birds is extremely sensitive to the fumes given off during the self-cleaning cycle of any oven. Move birds to another well-ventilated room.

SAFETY PRECAUTIONS

When using your electrical appliances, basic safety precautions should be followed, including the following:

- **Be sure all packing materials are removed from the oven** before operating it to prevent fire or smoke damage should the packing material ignite.
- **Use this appliance only for its intended use** as described in this Owner's Manual.
- **Be sure your appliance is properly installed and grounded** by a qualified technician in accordance with the provided installation instructions.
- **Be sure the oven is securely installed in a cabinet that is firmly attached to the house structure.** Never allow anyone to climb, sit, stand or hang on the oven door.
- **Have the installer show you the location of the circuit breaker or fuse.** Mark it for easy reference.
- **Do not attempt to repair or replace any part of your wall oven unless it is specifically recommended in this manual.** All other servicing should be referred to a qualified technician.
- **Teach children not to play with the controls** or any other part of the oven.
- **Never leave the oven door open** when you are not watching the oven.
- **Always keep dish towels, dish cloths, pot holders and other linens a safe distance from your oven.**
- **For your safety, never use your appliance for warming or heating the room.**
- **Do not store flammable materials in the oven.**
- **Always keep wooden and plastic utensils and canned food a safe distance away from your oven.**
- **Always keep combustible wall coverings, curtains or drapes a safe distance from your oven.**
- **DO NOT STORE OR USE COMBUSTIBLE MATERIALS, GASOLINE OR OTHER FLAMMABLE VAPORS AND LIQUIDS IN THE VICINITY OF THIS OR ANY OTHER APPLIANCE.**
- **Do not let cooking grease or other flammable materials accumulate in or near the wall oven.**
- **Do not use water on grease fires.** Never pick up a flaming pan. Turn the controls off.

Flame in the oven can be smothered completely by closing the oven door and turning the oven off or by using a multi-purpose dry chemical or foam-type fire extinguisher.

IMPORTANT SAFETY INSTRUCTIONS

SAFETY PRECAUTIONS

- **Do not use aluminum foil to line oven bottoms, except as suggested in this manual.** Improper installation of aluminum foil may result in a risk of electric shock or fire.
- **Cook meat and poultry thoroughly**—meat to at least an INTERNAL temperature of 160°F and poultry to at least an INTERNAL temperature of 180°F. Cooking to these temperatures usually protects against foodborne illness.
- **Before performing any service, DISCONNECT THE OVEN POWER SUPPLY AT THE HOUSEHOLD DISTRIBUTION PANEL BY REMOVING THE FUSE OR SWITCHING OFF THE CIRCUIT BREAKER.**
- **Do not leave children alone**—children should not be left alone or unattended in an area where an appliance is in use. They should never be allowed to sit or stand on any part of the appliance.
- **Do not touch the heating elements or the interior surface of the oven.** These surfaces may be hot enough to burn even though they are dark in color. During and after use, do not touch, or let clothing or other flammable materials contact, any interior area of the oven; allow sufficient time for cooling first.

Potentially hot surfaces include the oven vent openings and surfaces near the openings, crevices around the oven door, the edges of the door window and metal trim parts above the door.

Remember: The inside surface of the oven may be hot when the door is opened.

- **CAUTION: ITEMS OF INTEREST TO CHILDREN SHOULD NOT BE STORED IN CABINETS ABOVE AN OVEN—CHILDREN CLIMBING ON THE OVEN TO REACH ITEMS COULD BE SERIOUSLY INJURED.**
- **Never wear loose-fitting or hanging garments while using the appliance.** Be careful when reaching for items stored over the oven. Flammable material could be ignited if brought in contact with oven heating elements and may cause severe burns.
- **Use only dry pot holders**—moist or damp pot holders on hot surfaces may result in burns from steam. Do not let pot holders touch hot heating elements. Do not use a towel or other bulky cloth.
- **Keep the oven vent unobstructed.**
- **Keep the oven free from grease buildup.**
- **Stand away from the oven when opening the oven door.** Hot air or steam which escapes can cause burns to hands, face and/or eyes.
- **After broiling, always take the broiler pan out of the oven and clean it.** Leftover grease in the broiler pan can catch fire the next time you use the pan.
- **Large scratches or impacts to glass doors can lead to broken or shattered glass.**
- **Never leave jars or cans of fat drippings in or near your oven.**

IMPORTANT SAFETY INSTRUCTIONS

SAFETY PRECAUTIONS

- **Children in walkers, or children crawling, can be attracted to the round oven door handle and may grab and open the oven door.** This can result in injury from the door being pulled open on a child, or severe burns if the oven is in use and hot.
 - **Do not heat unopened food containers.** Pressure could build up and the container could burst, causing an injury.
 - **Place the oven rack in the desired position while the oven is cool.** If racks must be handled when hot, do not let pot holder contact the heating elements.
 - **Extending the rack to its fully open position is a convenience in lifting heavy foods.** It is also a precaution against burns from touching hot surfaces of the door or oven walls.
 - **When using cooking or roasting bags in the oven,** follow the manufacturer's directions.
 - **Do not use your oven to dry newspapers.** If overheated, they can catch on fire.
 - **Do not use oven for a storage area.** Items stored in an oven can ignite.
 - **Do not leave paper products, cooking utensils or food in the oven when not in use.**
 - **Do not allow anyone to climb, stand or hang on the door.** They could damage the oven or cause severe personal injury.
-

SELF-CLEANING OVEN

- **Do not clean the door gasket.** The door gasket is essential for a good seal. Care should be taken not to rub, damage or move the gasket.
- **Do not use oven cleaners.** No commercial oven cleaner or oven liner protective coating of any kind should be used in or around any part of the oven. Residue from oven cleaners will damage the inside of the oven when the self-clean cycle is used.
- **Clean only parts listed in this Owner's Manual.**
- **Before self-cleaning the oven,** remove the broiler pan, grid and other cookware.
- **Be sure to wipe up excess spillage before starting the self-cleaning operation.**
- **If the self-cleaning mode malfunctions,** turn the oven off and disconnect the power supply. Have it serviced by a qualified technician.
- **The oven racks may be cleaned in the oven during the self-cleaning cycle.**

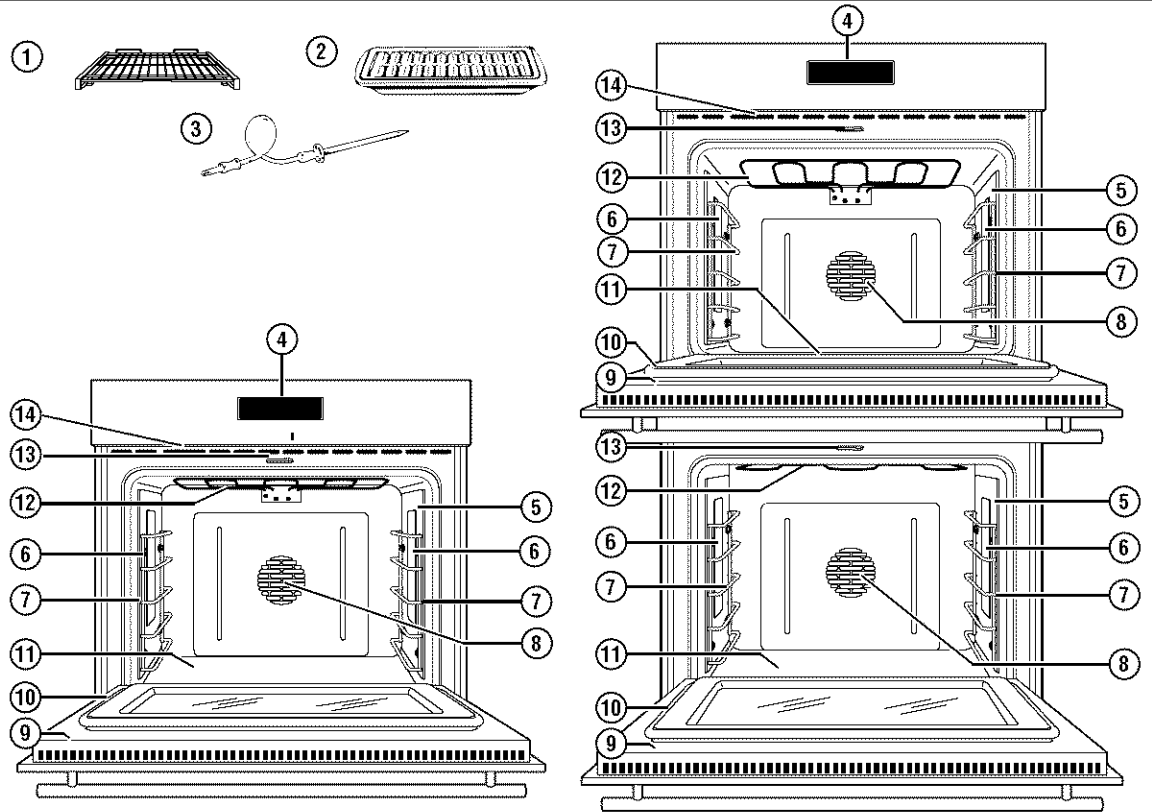
SAVE THESE INSTRUCTIONS

Features of Your Wall Oven

Wall Oven

Design information

(Not all features are on all models. Appearance may vary.)

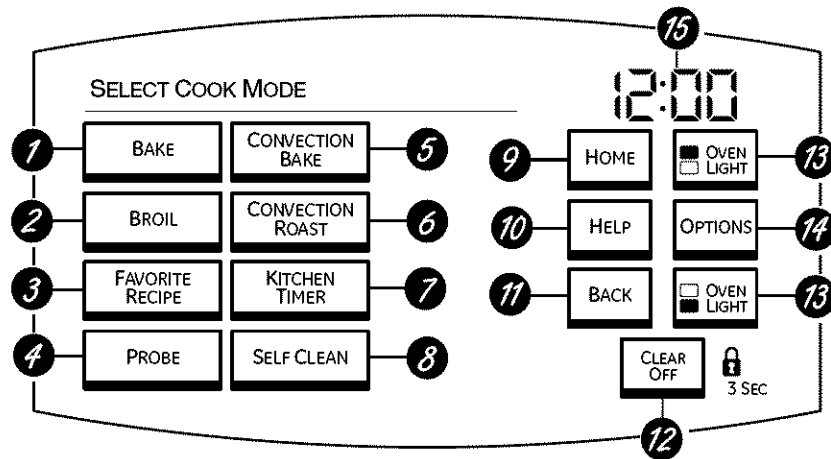


Feature Index	Page
1 Full Extension Oven Racks (3 in each oven)	9, 10, 11, 14, 18, 19, 29, 30, 31, 32, 33, 34, 43, 45
2 Broiler Pan and Grid	14, 19, 42
3 Probe	14, 16, 17, 20, 26, 44
4 Display	8
5 Probe Outlet	16, 20
6 Halogen Oven Lights	45
7 Oven Rack Supports (5 positions)	10, 29
8 Convection Fan (operates during convection cooking and while preheating)	11, 12, 13, 17, 18, 19, 20, 22, 23, 31, 34, 35
9 Removable Oven Door	44
10 Oven Door Gasket	46
11 Bake Element (under the oven floor)	42
12 Broil Element	14, 18, 42
13 Automatic Oven Door Latch	27, 28
14 Oven Vent	5, 9

(Throughout this manual, features and appearance may vary from your model.)

Touch Screen

Touch the graphics on the interactive display to use the oven features.



Double oven control shown.

Touch screen, touch pads and time of day display

NOTE: If the oven is inactive for 10 minutes, the Touch Screen will go into standby mode, and the screen will be dark. Touch the Touch Screen or any pad to “wake up” the display. The Display may also “wake up” when it senses you (your hand) approaching the Touch Screen. The display is sensitive and may “wake up” when lights are turned on or due to the movement of nearby people or objects. The Display should return to its standby mode after 10 minutes if no further interaction occurs.

Touch Screen

- 1 **BAKE.** Touch to select the bake function.
- 2 **BROIL.** Touch to select the broil function (HIGH BROIL or LOW BROIL) or the BROIL GUIDE.
- 3 **FAVORITE RECIPE.** Touch to use, create, rename, modify or delete a favorite recipe.
- 4 **PROBE.** Touch when using the probe to cook food.
- 5 **CONVECTION BAKE.** Touch to select baking with the convection function.
- 6 **CONVECTION ROAST.** Touch to select roasting with the convection function.
- 7 **KITCHEN TIMER.** Touch to select the timer feature.
- 8 **SELF CLEAN.** Touch to select the self-cleaning function. See the *Using the Self-Cleaning Oven* section.

Touch Pads

- 9 **HOME Pad.** Touch to return to the “SELECT COOK MODE” (Home) Screen. This does not cancel any cooking or self-clean settings.

10 **HELP Pad.** Touch this pad to find out more about your oven’s features.

11 **BACK Pad.** Touch to return to the previous screen.

12 **CLEAR/OFF Pad.** Touch to cancel ALL oven operations except the clock and timer.

13 **OVEN LIGHT On/Off Pad(s).** Touch to turn the oven light(s) on or off.

14 **OPTIONS Pad.** Touch to select TWO TEMPS, DELAY START, PROOF, DEHYDRATE, WARM, COOK & HOLD, SABBATH or SETTINGS.

Display

15 **Display.** Shows the time of day.

Error Codes

If “F- and a number or letter” flash in the display and the oven control signals, this indicates a function error code. Touch the CLEAR/OFF pad. Allow the oven to cool for one hour. Put the oven back into operation. If the function error code repeats, disconnect the power to the oven and call for service.

If there has been a power outage:

If your oven was set for a timed oven operation and a power outage occurred, the clock and all programmed functions must be reset.

The time of day will flash in the display when there has been a power outage.

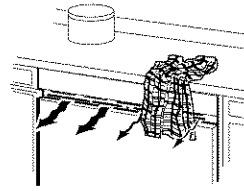
Baking Tips

Wall Oven

Oven air flow

An internal cooling fan operates during all oven modes. The warm air from inside the oven will be exhausted out through vents located between the door and control panel.

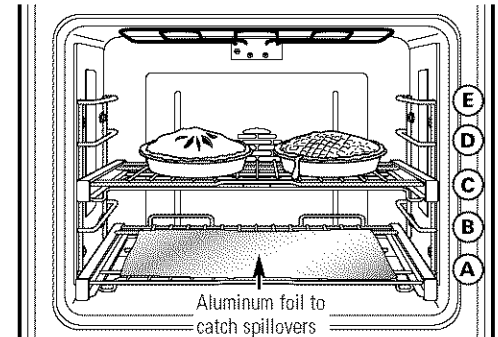
Do not allow this air flow to be obstructed by draping kitchen towels over the front of the oven in undercounter applications.



Aluminum foil

Never entirely cover a rack with aluminum foil. This will disturb the heat circulation and result in poor baking. A smaller sheet of foil may be used to catch a spillover by placing it on a lower rack several inches below the food.

NOTE: For general baking, only one or two racks will be used. Three racks will be used only when multi-rack baking. Remove the third rack from the oven when it is not in use.



Pan placement

For even cooking and proper browning, there must be enough room for air circulation in the oven. Baking results will be better if baking pans are centered as much as possible rather than being placed to the front or to the back of the oven.

Pans should not touch each other or the walls of the oven. Allow 1- to 1½" space between pans as well as from the back of the oven, the door and the sides.

If you need to use two racks, use rack positions A and C, B and D or A and D and stagger the pans so that one is not directly above the other.

Baking pans/sheets

Use the proper baking pan. The type of finish on the pan determines the amount of browning that will occur.

- Dark, rough or dull pans absorb heat resulting in a browner, crisper crust. Use this type for pies.

- Shiny, bright and smooth pans reflect heat, resulting in a lighter, more delicate browning. Cakes and cookies require this type of pan or sheet.

- Glass baking dishes also absorb heat. When baking in glass baking dishes, the temperature may need to be reduced by 25°F.

Preheating

Allow the oven to preheat before placing food in the oven. Preheating is necessary for good results when baking cakes, cookies, pastry and breads.

To preheat, set the oven at the correct temperature. The PREHEAT light will turn on and 100°F will appear in the display. (The temperature display will start to change once the oven temperature reaches 100°F.) The convection fan will also turn on during preheating. The control will beep when the oven is preheated—this will take approximately 10 to 15 minutes. The PREHEAT light will turn off and the display will show the set temperature.

When the PREHEAT light goes off, foods should be placed in the oven.

The type of margarine will affect baking performance!

Most recipes for baking have been developed using high-fat products such as butter or margarine (80% fat). If you decrease the fat, the recipe may not give the same results as with a higher-fat product.

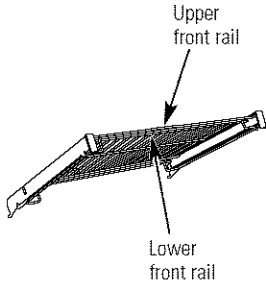
Recipe failure can result if cakes, pies, pastries, cookies or candies are made with low-fat spreads. The lower the fat content of a spread product, the more noticeable these differences become.

Federal standards require products labeled "margarine" to contain at least 80% fat by weight. Low-fat spreads, on the other hand, contain less fat and more water. The high moisture content of these spreads affect the texture and flavor of baked goods. For best results with your old favorite recipes, use margarine, butter or stick spreads containing at least 70% vegetable oil.

Before You Begin

Wall Oven

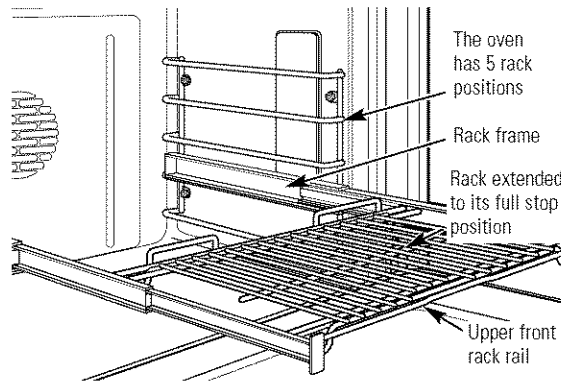
Full extension oven racks



To avoid possible burns, place the racks in the correct position before turning on the oven.

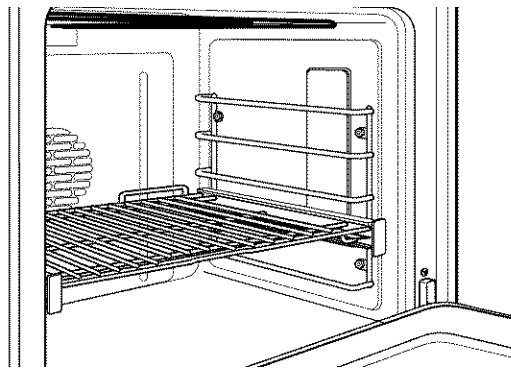
The correct rack position depends on the kind of food and the browning desired.

The racks have a frame that locks into the rack supports on both sides. Once the frame is locked into place, always pull the rack out, by its upper front rail, to its full extension stop position, when placing or removing cookware.

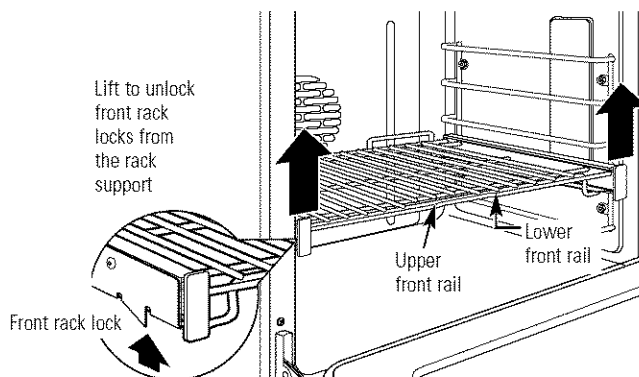


To remove a rack:

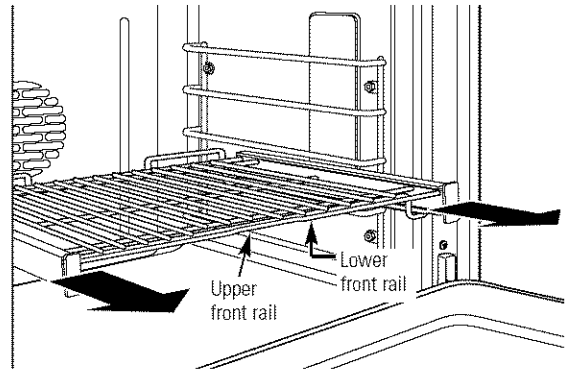
1. Make sure the rack is pushed all the way into the oven.



2. Grasp the rack by both its upper front rail and its lower front rail and lift straight up to unlock the front rack locks from the rack supports.

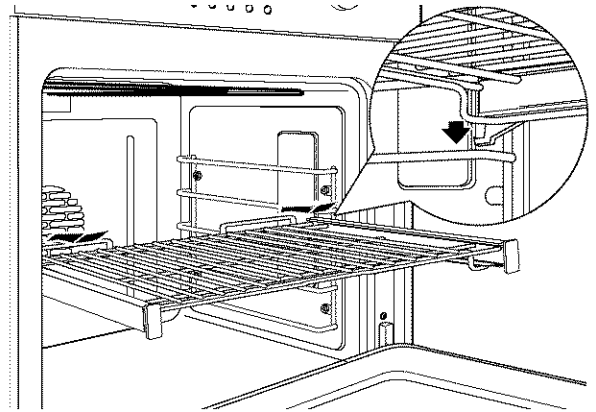


3. Firmly holding onto both the upper and lower front rack rails, pull the rack forward and remove it from the oven.

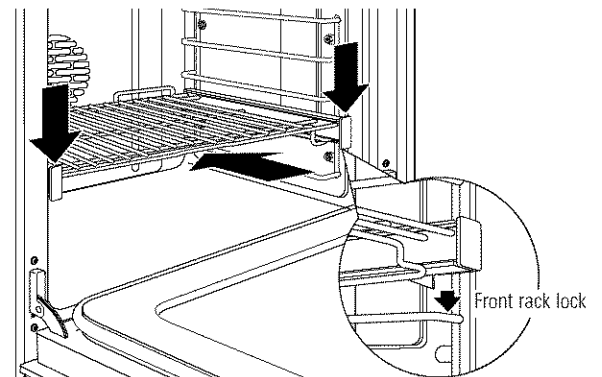


To replace a rack:

1. Place the rear rack locks over and onto the rack supports (five rack positions are available including the top position).



2. Slide the rack all the way in until the rear rack locks are secure on the rear rack supports and press the front rack locks onto the front rack supports.



Slide the rack all the way in and push down to lock the front rack locks onto the front rack supports

How to set the oven for baking or roasting

- 1 Touch **BAKE**.
- 2 For double oven models only, touch **UPPER OVEN** or **LOWER OVEN** to select the desired oven.
- 3 Touch the numbers to set the desired temperature.
- 4 Touch **ENTER**.
- 5 Touch **START**.

The convection fan will turn on during preheating. The control will signal when the oven is preheated—this will take approximately 10 minutes. The screen will show the set temperature.

When the control signals, foods should be placed in the oven.

For double oven models only, to set the second oven, select **PRESS TO MAKE LOWER OVEN SELECTIONS** or **PRESS TO MAKE UPPER OVEN SELECTIONS** as needed and follow the above steps.

The set temperature may be changed by touching **CHANGE TIME-TEMP**.

The settings may be cancelled by touching **CANCEL**.

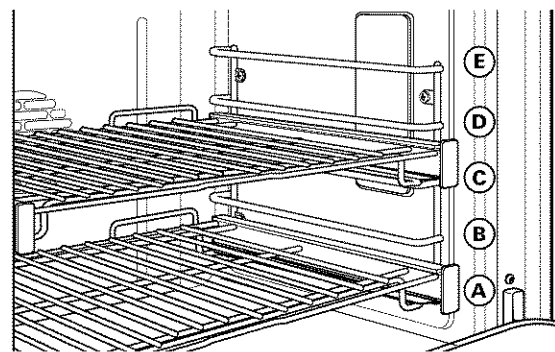
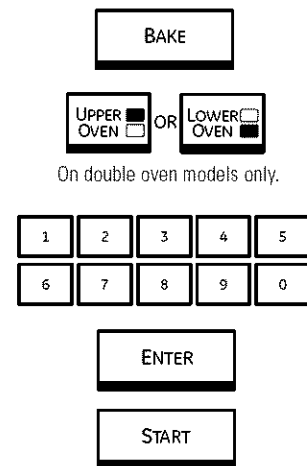
The timer can be set by touching **SET KITCHEN TIMER**. See the *Kitchen Timer* section.

- 6 Check food for doneness at minimum time on recipe. Cook longer if necessary.
- 7 Touch **CANCEL** when cooking is complete.

NOTE: A cooling fan may automatically turn on and off to cool internal parts. This is normal, and the fan may continue to run even after the oven is turned off.

Type of Food	Rack Position
Angel food cake	A
Biscuits or muffins	B or C
Cookies or cupcakes	B or C
Brownies	B or C
Layer cakes	B or C
Bundt or pound cakes	A or B
Pies or pie shells	B or C
Single pie	B or C
Frozen pies	B or C (on cookie sheet)
Casseroles	B or C

If baking four cake layers at the same time, place two layers on rack B and two layers on rack D. Stagger pans on the rack so one is not directly above the other.



The oven has 5 rack positions. See the *Full extension oven racks* section for how to use, remove and replace the racks.

Timed Cooking

Wall Oven

Timed cooking (immediate start and automatic stop)

On double oven models, you can use timed baking in one oven while using self-clean in the other; you can also use timed baking in both ovens at the same time.

NOTE: Foods that spoil easily—such as milk, eggs, fish, stuffings, poultry and pork—should not be allowed to sit for more than 1 hour before or after cooking. Room temperature promotes the growth of harmful bacteria.

The oven will turn on immediately and cook for a selected length of time. At the end of the cooking time, the oven will turn off automatically.

Make sure the clock shows the correct time of day.

- 1 Touch **BAKE**.
- 2 For double oven models only, touch **UPPER OVEN** or **LOWER OVEN** to select the desired oven.
- 3 Touch the numbers to set the desired temperature.
- 4 Touch **ENTER**.
- 5 Touch the numbers to set the desired length of cooking time.
- 6 Touch **ENTER**.
- 7 Two immediate start and automatic stop cooking options are available:

- **PRE-HEATED START** – Touch to preheat the oven.

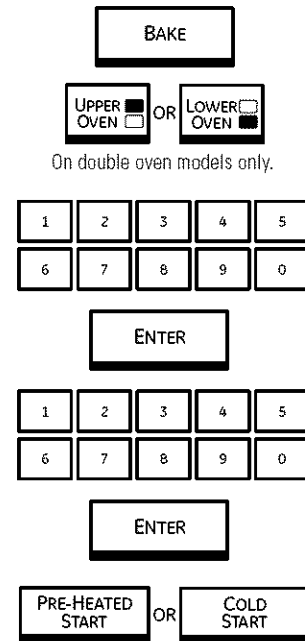
The convection fan will turn on during preheating. The control will signal when the oven is preheated—this will take approximately 10 minutes. The screen will show the set temperature.

When the control signals, place food in the oven.

The timed cook will not start until the oven is preheated and **START** is touched.

- **COLD START** – Touch to start the oven immediately and cook food without preheating. The convection fan will turn on. The cook time will start immediately.

The oven will start and continue to cook for the programmed amount of time, then shut off automatically, unless the Cook and Hold feature was set. See the *Cook and Hold Option* section.



For double oven models only, to set the second oven, select **PRESS TO MAKE LOWER OVEN SELECTIONS** or **PRESS TO MAKE UPPER OVEN SELECTIONS** as needed and follow the above steps.

The set temperature may be changed by touching **CHANGE TIME-TEMP** for the appropriate oven.

The settings may be cancelled by touching **CANCEL** for the appropriate oven.

The timer can be set by touching **SET KITCHEN TIMER**. See the *Kitchen Timer* section.

After cooking is complete, the oven will signal and "MORE TIME" will display for five minutes. Check food for doneness. If more cooking time is needed, touch **MORE TIME** and enter additional cooking time. If not selected, the screen will automatically clear in five minutes.

Timed Cooking

Wall Oven

Timed cooking (delayed start and automatic stop)

You can set the oven control to delay-start the oven, cook for a specific length of time and then turn off automatically. See also the *Delay Start Option* section.

Make sure the clock shows the correct time of day.

- 1 Touch **BAKE**.
- 2 **For double oven models only**, touch **UPPER OVEN** or **LOWER OVEN** to select the desired oven.
- 3 Touch the numbers to set the desired temperature.
- 4 Touch **ENTER**.
- 5 Touch the numbers to set the desired length of cooking time.
- 6 Touch **ENTER**.
- 7 Touch **ADD BAKE OPTION**.
- 8 Touch **DELAY START**.
- 9 Two delay start time setting options are available:
 - **START COOK TIME** – Touch and then use the numbers to set the amount of time before you want cooking to start. Touch **ENTER**. For example, if you want cooking to begin in 2 hours, enter **2, 0** and **0**.
 - **FINISH COOK TIME** – Touch and then use the numbers to set the amount of time above the cooking time that you want cooking to finish. Touch **ENTER**. For example, if your cooking time is 2 hours and you want to serve dinner in 5 hours, then enter **5, 0** and **0** and the oven will start in 3 hours.
- 10 Two start options are available when the delayed start time is reached:

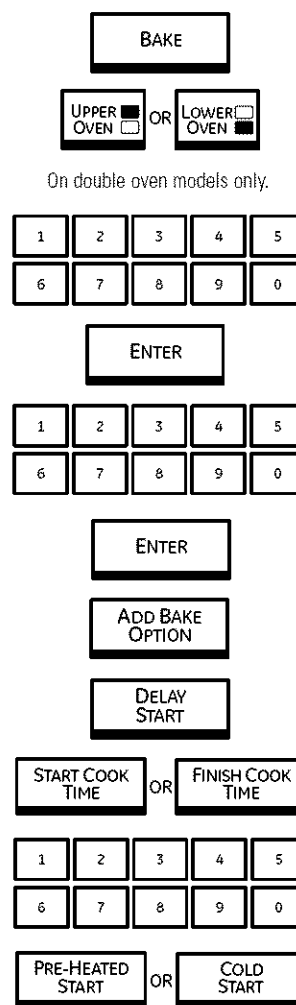
- **PRE-HEATED START** – Touch to select preheat.

When the delayed start time is reached, the oven will turn on and preheat will begin.

The convection fan will turn on during preheating. The control will signal when the oven is preheated—this will take approximately 10 to 15 minutes. The screen will show the set temperature.

- **COLD START** – Touch to select for the oven to start immediately (without preheating) when the delayed start time is reached. The convection fan will turn on.

For double oven models only, to set the second oven, select **PRESS TO MAKE LOWER OVEN SELECTIONS** or **PRESS TO MAKE UPPER**



OVEN SELECTIONS as needed and follow the above steps.

The set temperature may be changed by touching **CHANGE TIME-TEMP** for the appropriate oven.

The settings may be cancelled by touching **CANCEL** for the appropriate oven.

The timer can be set by touching **SET KITCHEN TIMER**. See the *Kitchen Timer* section.

When the delayed start time is reached, the oven will start and continue to cook for the programmed amount of time, then shut off automatically, unless the Cook and Hold feature was set. See the *Cook and Hold* section.

After cooking is complete, the oven will signal and "MORE TIME" will display for five minutes. Check food for doneness. If more cooking time is needed, touch **MORE TIME** and enter additional cooking time. If not selected, the screen will automatically clear in five minutes.

Broiling

Wall Oven

How to set the oven for broiling

Close the door. **Always broil with the door closed.**

- 1 Touch **BROIL**.
- 2 Place the food on the broiler grid in the broiler pan.
- 3 **For double oven models only**, touch **UPPER OVEN** or **LOWER OVEN** to select the desired oven.
- 4 Follow suggested rack positions in the *Broiling Guide*.

The size, weight, thickness, starting temperature and your preference for doneness will affect broiling times. This guide is based on meats at refrigerator temperature.

- 5 Touch **HIGH BROIL** or **LOW BROIL**.
- 6 Touch **START**.

NOTE: A cooling fan may automatically turn on and off to cool internal parts. This is normal, and the fan may continue to run even after the oven is turned off.

The broiler does not need to be preheated for most broiling. However, foods that cook quickly, such as thin strips of meat or fish may require a short preheating period of 2 to 3 minutes to allow the food surface to brown in the same time the food takes to be cooked throughout.

Turn the food only once during broiling.

NOTE: Broil will not work if the temperature probe is plugged in. Never leave your probe inside the oven during a broil cycle.

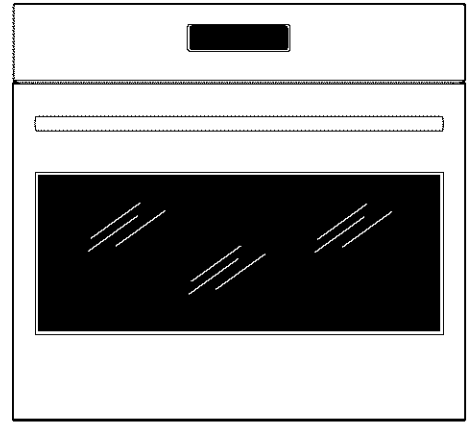
To set the second oven, select **PRESS TO MAKE LOWER OVEN SELECTIONS** or **PRESS TO MAKE UPPER OVEN SELECTIONS** as needed and follow the above steps.

The set temperature may be changed by touching **CHANGE TIME-TEMP.**

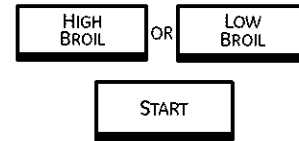
The settings may be cancelled by touching **CANCEL**.

The timer can be set by touching **SET KITCHEN TIMER**. See the *Kitchen Timer* section.

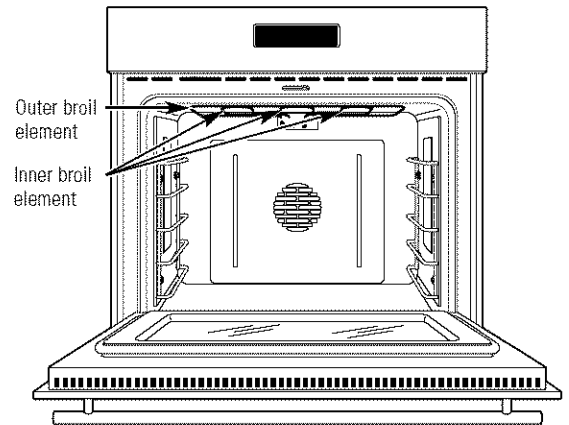
- 7 When broiling is finished, touch **CANCEL**.



Close the door. **Always broil with the door closed.**

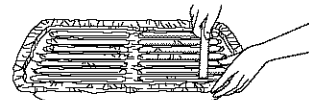


If your oven is connected to 208 volts, rare steaks may be broiled by preheating the broiler and positioning the oven rack one position higher.



Aluminum foil

You can use aluminum foil to line the broiler pan and broiler grid. However, you must mold the foil tightly to the grid and cut slits in it just like the grid.



Broiling

Wall Oven

Broiling guide

The size, weight, thickness, starting temperature and your preference for doneness will affect broiling times. This guide is based on meats at refrigerator temperature.

Food	Quantity and/or Thickness	Rack Position	First Side Time (min.)	Second Side Time (min.)	Comments
Ground Beef Well Done	1/2" to 3/4" thick	D	9-11	3-4	Space evenly.
Beef Steaks Rare † Medium Well Done	3/4" to 1" thick	D D C	8-10 9-11 12-14	3-5 3-5 3-5	Slash fat at edges.
Rare † Medium Well Done	Approx. 1 1/2" thick	C C C	22-24 24-26 28-30	4-6 3-5 5-7	
Chicken	Breasts (bone in) Breasts (boneless)	C B	25-35 24-26	10-15 9-11	Broil skin-side-down first.
Lobster Tails	4 oz.	C	7-9	Do not turn over.	Cut through back of shell. Spread open.
Fish	1/4" to 1/2" fillets 1/2" thick steaks	D D	7-9 9-12	Do not turn over.	
Ham Slices	1/4" to 1/2" thick (precooked)	D	4-6	2-3	
Pork Chops Well Done	1/2" thick 1" thick	D C	9-11 18-20	6-8 4-6	Slash fat at edges.
Lamb Chops Medium Well Done	1" thick	C C	8-10 9-11	6-8 7-9	Slash fat at edges.
Medium Well Done	1 1/2" thick	C C	14-16 15-17	5-7 6-10	
Garlic Bread Lo Broil		C	2-3	N/A	

† The U.S. Department of Agriculture says "Rare beef is popular, but you should know that cooking it to only 140°F means some food poisoning organisms may survive." (Source: *Safe Food Book. Your Kitchen Guide.* USDA Rev. June 1985.)

Using the Probe for Roasting

Wall Oven

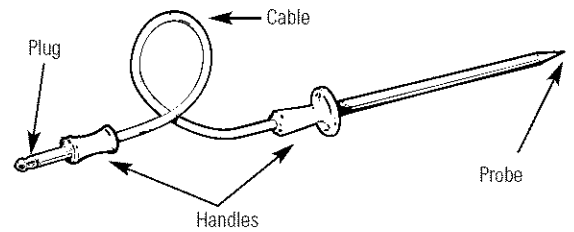
Temperature probe

For many foods, especially roasts and poultry, internal food temperature is the best test for doneness. The temperature probe takes the guesswork out of roasting by cooking foods to the exact doneness you want.

Use of probes other than the one provided with this product may result in damage to the probe.

Use the handles of the probe and plug when inserting and removing them from the meat and oven outlet.

- To avoid damaging the probe, do not use tongs to pull on the cable when removing it.
- To avoid breaking the probe, make sure food is completely defrosted before inserting.
- To prevent possible burns, do not unplug the probe from the outlet until the oven has cooled.
- Never leave the probe inside the oven during a broil or self-cleaning cycle.
- Do not store the probe in the oven.



The temperature probe has a skewer-like probe at one end and a plug at the other end that goes into the outlet in the oven.

Proper placement of the probe

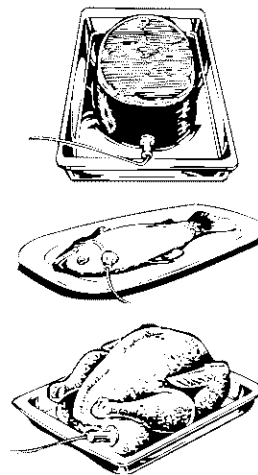
After preparing the meat and placing it on the broiler pan grid, follow these directions for proper probe placement.

- The tip of the probe should rest in the center of the thickest meaty part of the roast.
- The probe must be inserted completely into the meat, up to the handle, in order for it to read the temperature properly. It should not touch the bone, fat or gristle.

For roasts with no bone, insert the probe into the meatiest part of the roast. For bone-in ham or lamb, insert the probe into the center of the lowest large muscle or joint.

Insert the probe into the center of dishes such as meat loaf or casseroles. When cooking fish, insert the probe from just above the gill into the meatiest area, parallel to the backbone.

Insert the probe into the meatiest part of the inner thigh from below and parallel to the leg of a whole turkey.



Using the Probe for Roasting

Wall Oven

How to set the oven for roasting when using the probe

- 1 Insert the probe into the food. See the *Using the Probe* section.
- 2 Plug the probe into the outlet in the oven. Make sure it's pushed all the way in. Close the oven door.
- 3 Touch **PROBE**.
- 4 **For double oven models only**, touch **UPPER OVEN** or **LOWER OVEN** to select the desired oven.
- 5 Touch **OK**.
- 6 Touch the numbers to set the desired internal food or meat temperature. (The maximum internal temperature for the food that you can set is 200°F.)
- 7 Touch **ENTER**.
- 8 Touch **BAKE**.
- 9 Touch the numbers to set the desired oven temperature.
- 10 Touch **ENTER**.
- 11 Touch **START**.

The oven will turn on immediately and stay on until the oven is turned off.

The convection fan will turn on (after a short delay) and 100°F will appear in the screen. (The temperature display will start to change once the internal temperature of the meat reaches 100°F.)

After the internal temperature of the meat reaches 100°F, the changing internal temperature will be shown in the display.

- 12 When the internal temperature of the meat reaches the number you have set, the probe and the oven turn off and the oven control signals. To stop the signal, touch the **CLEAR/OFF** pad. Use hot pads to remove the probe from the food. Do not use tongs to pull on it—they might damage it.

For double oven models only, to set the second oven, select **PRESS TO MAKE LOWER OVEN SELECTIONS** or **PRESS TO MAKE UPPER OVEN SELECTIONS** as needed and follow the above steps.

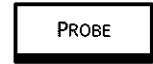
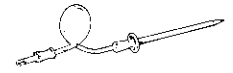
The set temperature may be changed by touching **CHANGE TIME-TEMP** for the appropriate oven.

The settings may be cancelled by touching **CANCEL** for the appropriate oven.

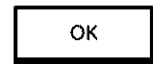
The timer can be set by touching **SET KITCHEN TIMER**. See the *Kitchen Timer* section.

▲ CAUTION: *To prevent possible burns, do not unplug the probe from the oven outlet until the oven has cooled. Do not store the probe in the oven.*

- *If the probe is removed from the food before the final temperature is reached, a tone will sound and the screen will prompt until the probe is removed from the oven.*
- *You can use the timer even though you cannot use timed oven operations.*



On double oven models only.



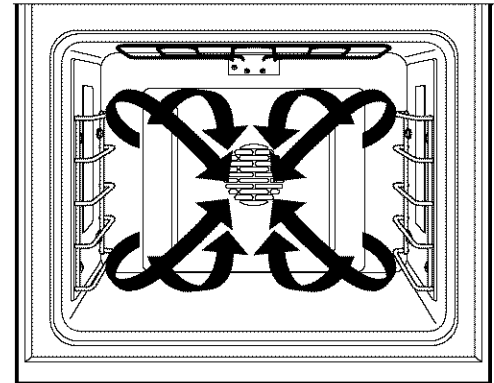
Convection fan

In a convection oven, a fan circulates hot air over, under and around the food.

This circulating hot air is evenly distributed throughout the oven cavity. As a result, foods are evenly cooked and browned—often in less time with convection heat.

NOTE: The convection fan will cycle on and off while cooking to best distribute hot air in the oven.

The convection fan shuts off when the oven door is opened. **DO NOT** leave the door open for long periods of time while using convection cooking or you may shorten the life of the convection heating element.



Cookware for convection cooking

Before using your convection oven, check to see if your cookware leaves room for air circulation in the oven. If you are baking with several pans, leave space between them. Also, be sure the pans do not touch each other or the walls of the oven.

Paper and Plastic

Heat-resistant paper and plastic containers that are recommended for use in regular ovens can be used in convection ovens. Plastic cookware that is heat-resistant to temperatures of 400°F can also be used.

NOTE: Do not allow any paper or plastic to come into contact with the upper broil element.

Metal and Glass

Any type of cookware will work in your convection oven. However, metal pans heat the fastest and are recommended for convection baking.

Darkened or matte-finished pans will bake faster than shiny pans.

Glass or ceramic pans cook more slowly.

When baking cookies, you will get the best results if you use a flat cookie sheet instead of a pan with low sides.

For recipes like oven-baked chicken, use a pan with low sides. Hot air cannot circulate well around food in a pan with high sides.

Adapting recipes

You can use your favorite recipes in the convection oven.

When convection baking, reduce baking temperature by 25°F or activate the Auto Recipe™ Conversion feature. See *Auto Recipe™ Conversion* in the *Special Features of Your Oven Control* section.

Multi-rack convection baking

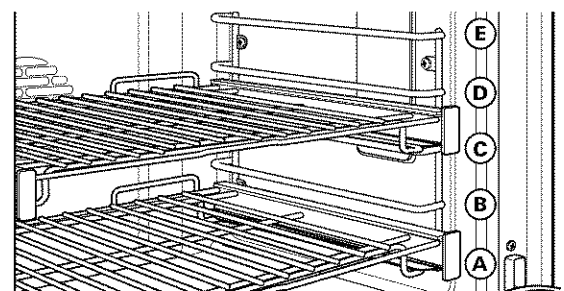
When convection baking with only 1 rack, follow the rack positions recommended in the *Using the oven section*.

Because heated air is circulated throughout the oven, foods can be successfully baked using multiple racks.

Multi-rack baking may increase cook times slightly for some foods but the overall result is time saved. Cookies, muffins, biscuits and other quickbreads give very good results with multi-rack baking.

When baking on 3 racks, place one rack in the first (A) position, one in the third (C) position and one in the fifth (E) position.

For two-rack baking, place one rack in the second (B) rack position. Place the other rack in the fourth (D) rack position.



Multi-rack position

Convection Baking or Roasting

Wall Oven

How to set the oven for convection baking or roasting

- 1 Touch **CONVECTION BAKE** or **CONVECTION ROAST**.
- 2 For double oven models only, touch **UPPER OVEN** or **LOWER OVEN** to select the desired oven.
- 3 Two rack options are available:
 - **SINGLE RACK** – Touch for cooking food items on only one rack in convection bake.
 - **MULTI-RACK** – Touch for cooking food items on more than one rack (i.e. 2 or 3 racks) at the same time in Convection Bake. See the *Multi-Rack Convection Baking* section for more information.
- 4 Touch the numbers to set the desired temperature.
- 5 Touch **ENTER**.
- 6 Touch **START**.

The convection fan will turn on during preheating. The control will signal when the oven is preheated—this will take approximately 10 minutes. The screen will show the set temperature. When the control signals, foods should be placed in the oven.

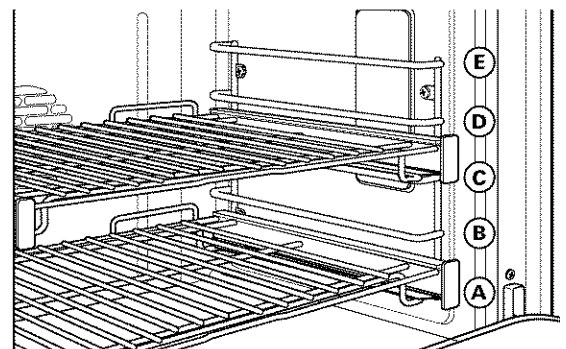
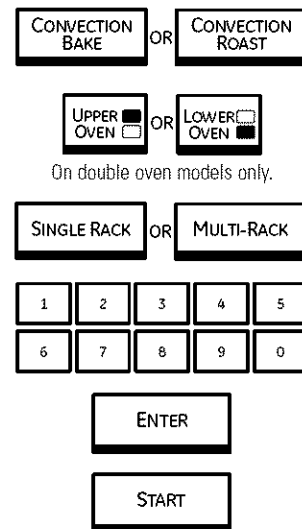
For double oven models only, to set the second oven, select **PRESS TO MAKE LOWER OVEN SELECTIONS** or **PRESS TO MAKE UPPER OVEN SELECTIONS** as needed and follow the above steps.

The set temperature may be changed by touching **CHANGE TIME-TEMP** for the appropriate oven.

The settings may be cancelled by touching **CANCEL** for the appropriate oven.

The timer can be set by touching **SET KITCHEN TIMER**. See the *Kitchen Timer* section.

After cooking is complete, the oven will signal and “MORE TIME” will display for five minutes. Check food for doneness. If more cooking time is needed, touch **MORE TIME** and enter additional cooking time. If not selected, the screen will automatically clear.



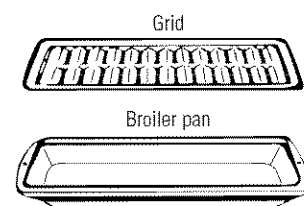
The oven has 5 rack positions. See the *Full extension oven racks* section for how to use, remove and replace the racks.

Convection roasting tips

Using the broiler pan and grid provided, heated air will be circulated over, under and around the food being roasted. The heated air seals in juices quickly for a moist and tender interior while, at the same time, creating a rich golden brown exterior.

When you are convection roasting, it is important that you use the broiler pan and grid. The pan is used to catch grease spills and the grid is used to prevent grease spatters and allow heated air to circulate under the meat and increase browning on the underside of the meat or poultry.

- Place the grid on the broiler pan.



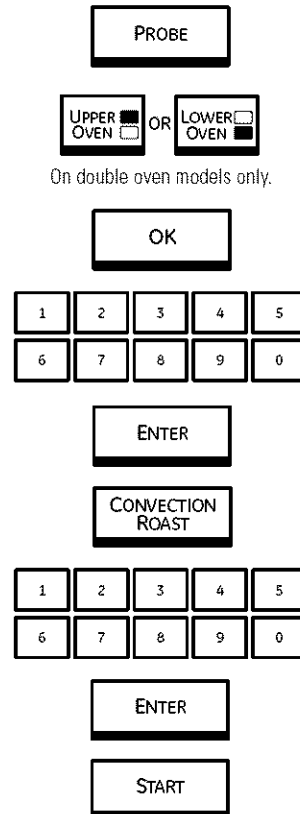
How to set the oven for convection roasting with the probe

- 1 Place the rack in the lowest position (A). Insert the probe into the meat. See the *Using the Probe* section.
- 2 Plug the probe into the outlet in the oven. Make sure it is pushed all the way in. Close the oven door.
- 3 Touch **PROBE**.
- 4 **For double oven models only**, touch **UPPER OVEN** or **LOWER OVEN** to select the desired oven.
- 5 Touch **OK**.
- 6 Touch the numbers to set the desired internal meat temperature. (The maximum internal temperature for the food that you can set is 200°F.)
- 7 Touch **ENTER**.
- 8 Touch **CONVECTION ROAST**.
- 9 Touch the numbers to set the desired oven temperature.
- 10 Touch **ENTER**.
The screen will prompt if the probe is inserted into the outlet and you have not set a probe temperature and touched ENTER.
- 11 Touch **START**.
The oven and the oven interior lights will turn on immediately and stay on until the oven is turned off.
The convection fan will turn on (after a short delay) and 100°F will appear in the screen. (The temperature display will start to change once the internal temperature of the meat reaches 100°F.)
After the internal temperature of the meat reaches 100°F, the changing internal temperature will be shown in the display.
- 12 When the internal temperature of the meat reaches the number you have set, the probe and the oven turn off and the oven control signals. To stop the signal, touch the **CLEAR/OFF** pad. Use hot pads to remove the probe from the food. Do not use tongs to pull on it—they might damage it.

▲ CAUTION: To prevent possible burns, do not unplug the probe from the oven outlet until the oven has cooled. Do not store the probe in the oven.



For best results when roasting large turkeys and roasts, we recommend using the probe included in the convection oven.



To change the oven temperature during the Convection Roast cycle, touch **CONVECTION ROAST** and then touch the numbers to set the new desired temperature.

NOTE:

- If the probe is removed from the food before the final temperature is reached, a tone will sound and the screen will prompt until the probe is removed from the oven.
- You will hear a fan while cooking with this feature. The fan will stop when the door is opened, but the heat will not turn off.
- You can use the timer even though you cannot use timed oven operations.
- On double oven models, you will not be able to use the probe in the upper oven during timed oven operations. This is because, with the probe, you are cooking by temperature rather than time.

Convection Roasting

Wall Oven

Convection roasting guide

Meats		Minutes/Lb.	Oven Temp.	Internal Temp.		
Beef	Rib, Boneless Rib, Top Sirloin (3 to 5 lbs.)	Rare Medium Well	20-24 24-28 28-32	325°F 325°F 325°F	140°F† 160°F 170°F	
	Beef Tenderloin	Rare Medium	10-14 14-18	325°F 325°F	140°F† 160°F	
	Pork	Bone-in, Boneless (3 to 5 lbs.)		23-27	325°F	170°F
Pork	Chops (1/2 to 1" thick)	2 chops 4 chops 6 chops	30-35 total 35-40 total 40-45 total	325°F 325°F 325°F	170°F 170°F 170°F	
	Ham	Canned, Butt, Shank (3 to 5 lbs.) (fully cooked)		14-18	325°F	140°F
	Lamb	Bone-in, Boneless (3 to 5 lbs.)	Medium Well	17-20 20-24	325°F 325°F	160°F 170°F
Seafood		Fish, whole (3 to 5 lbs.)		30-40 total	400°F	
	Lobster Tails (6 to 8 oz. each)		20-25 total	350°F		
Poultry	Whole Chicken (2½ to 3½ lbs.)		24-26	350°F	180°-185°F	
	Cornish Hens Unstuffed (1 to 1½ lbs.) Stuffed (1 to 1½ lbs.)		50-55 total 55-60 total	350°F 350°F	180°-185°F 180°-185°F	
		Duckling (4 to 5 lbs.)		24-26	325°F	180°-185°F
	Turkey, whole* Unstuffed (10 to 16 lbs.) Unstuffed (18 to 24 lbs.)		8-11 7-10	325°F 325°F	180°-185°F 180°-185°F	
		Turkey Breast (4 to 6 lbs.)		16-19	325°F	170°F

* Stuffed birds generally require 30-45 minutes additional roasting time. Shield legs and breast with foil to prevent over-browning and drying of skin.

† The U.S. Department of Agriculture says "Rare beef is popular, but you should know that cooking it to only 140°F means some food poisoning organisms may survive." (Source: Safe Food Book. Your Kitchen Guide. USDA Rev. June 1985.)

Timed Convection Cooking

Wall Oven

Timed convection cooking (immediate start and automatic stop)

On double oven models, you can use timed baking in one oven while using self-clean in the other; you can also use timed baking in both ovens at the same time.

NOTE: Foods that spoil easily—such as milk, eggs, fish, stuffings, poultry and pork—should not be allowed to sit for more than 1 hour before or after cooking. Room temperature promotes the growth of harmful bacteria.

The oven will turn on immediately and cook for a selected length of time. At the end of the cooking time, the oven will turn off automatically.

Make sure the clock shows the correct time of day.

- 1 Touch **CONVECTION BAKE** or **CONVECTION ROAST**.
- 2 For double oven models only, touch **UPPER OVEN** or **LOWER OVEN** to select the desired oven.
- 3 Two rack options are available:
 - **SINGLE RACK** – Touch for cooking food items on only one rack in convection bake.
 - **MULTI-RACK** – Touch for cooking food items on more than one rack (i.e. 2 or 3 racks) at the same time in Convection Bake. See the *Multi-Rack Convection Baking* section for more information.
- 4 Touch the numbers to set the desired temperature.
- 5 Touch **ENTER**.
- 6 Touch the numbers to set the desired length of cooking time.
- 7 Touch **ENTER**.
- 8 Two immediate start and automatic stop cooking options are available:
 - **PRE-HEATED START** – Touch to preheat the oven.

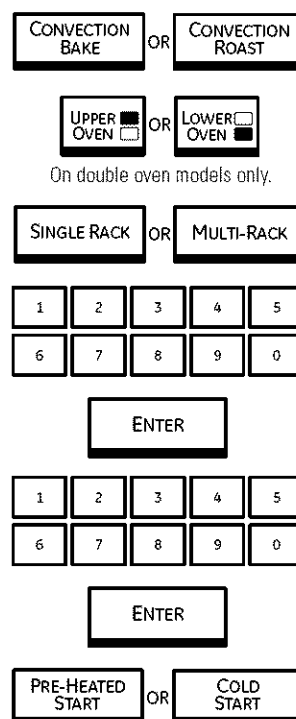
The convection fan will turn on during preheating. The control will signal when the oven is preheated—this will take approximately 10 minutes. The screen will show the set temperature.

The timed cook will not start until the oven is preheated and **START** is touched.

When the control signals, foods should be placed in the oven.

- **COLD START** – Touch to start the oven immediately and cook food without preheating. The convection fan will turn on. The cook time will start immediately.

The oven will start and continue to cook for the programmed amount of time, then shut off automatically, unless the Cook and Hold feature was set. See the *Cook and Hold Option* section.



For double oven models only, to set the second oven select **PRESS TO MAKE LOWER OVEN SELECTIONS** or **PRESS TO MAKE UPPER OVEN SELECTIONS** as needed and follow the above steps.

The set temperature may be changed by touching **CHANGE TIME-TEMP** for the appropriate oven.

The settings may be cancelled by touching **CANCEL** for the appropriate oven.

The timer can be set by touching **SET KITCHEN TIMER**. See the *Kitchen Timer* section.

After cooking is complete, the oven will signal and “MORE TIME” will display for five minutes. Check food for doneness. If more cooking time is needed, touch **MORE TIME** and enter additional cooking time. If not selected, the screen will automatically clear in five minutes.

Timed Convection Cooking

Wall Oven

Timed convection cooking (delayed start and automatic stop)

You can set the oven control to delay-start the oven, cook for a specific length of time and then turn off automatically. See also the *Delay Start Option* section.

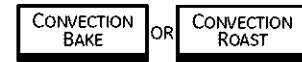
Make sure the clock shows the correct time of day.

- 1 Touch **CONVECTION BAKE** or **CONVECTION ROAST**.
- 2 For double oven models only, touch **UPPER OVEN** or **LOWER OVEN** to select the desired oven.
- 3 Two rack options are available:
 - **SINGLE RACK** – Touch for cooking food items on only one rack in convection bake.
 - **MULTI-RACK** – Touch for cooking food items on more than one rack (i.e. 2 or 3 racks) at the same time in Convection Bake. See the *Multi-Rack Convection Baking* section for more information.
- 4 Touch the numbers to set the desired temperature.
- 5 Touch **ENTER**.
- 6 Touch the numbers to set the desired length of cooking time.
- 7 Touch **ENTER**.
- 8 Touch **ADD BAKE OPTION**.
- 9 Touch **DELAY START**.
- 10 Two delay start time setting options are available:
 - **START COOK TIME** – Touch and then use the numbers to set the amount of time before you want cooking to start. Touch **ENTER**. For example, if you want cooking to begin in 2 hours, enter **2, 0** and **0**.
 - **FINISH COOK TIME** – Touch and then use the numbers to set the amount of time above the cooking time that you want cooking to finish. Touch **ENTER**. For example, if your cooking time is 2 hours and you want to serve dinner in 5 hours, then enter **5, 0** and **0** and the oven will start in 3 hours.
- 11 Two start options are available when the delayed start time is reached:
 - **PRE-HEATED START** – Touch to select preheat.

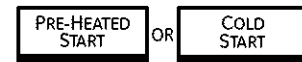
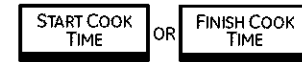
When the delayed start time is reached, the oven will turn on and preheat will begin.

The convection fan will turn on during preheating. The control will signal when the oven is preheated—this will take approximately 10 minutes. The screen will show the set temperature.
 - **COLD START** – Touch to select for the oven to start immediately (without preheating) when the delayed start time is reached. The convection fan will turn on.

For double oven models only, to set the second oven, select **PRESS TO MAKE LOWER OVEN SELECTIONS** or **PRESS TO MAKE UPPER**



On double oven models only.



OVEN SELECTIONS as needed and follow the above steps.

The set temperature may be changed by touching **CHANGE TIME-TEMP** for the appropriate oven.

The settings may be cancelled by touching **CANCEL** for the appropriate oven.

The timer can be set by touching **SET KITCHEN TIMER**. See the *Kitchen Timer* section.

When the delayed start time is reached, the oven will start and continue to cook for the programmed amount of time, then shut off automatically, unless the Cook and Hold feature was set. See the *Cook and Hold* section.

After cooking is complete, the oven will signal and “MORE TIME” will display for five minutes. Check food for doneness. If more cooking time is needed, touch **MORE TIME** and enter additional cooking time. If not selected, the screen will automatically clear in five minutes.

Favorite Recipes

Wall Oven

Your control will allow you to create (save), edit, use or delete a favorite recipe.

Create a recipe

- 1 Touch **FAVORITE RECIPE**.
- 2 Touch **CREATE RECIPE**.
- 3 Touch the letters to create a name for the recipe. Touch **NUM** to add a number. Touch **SPACE** to add a space between letters or numbers. Touch **BACK** to erase a number or letter as needed. Touch **DONE** to save the name.
- 4 Touch **BAKE, BROIL, CONVECTION BAKE** or **CONVECTION ROAST** to select the cooking mode.
- 5 Touch the numbers to set the temperature.
- 6 Touch **ENTER**.
- 7 Touch the numbers to set the desired length of cooking time.

FAVORITE RECIPE

CREATE RECIPE

- 8 Touch **ENTER**.
- 9 Touch **ADD PRE-HEAT OPTION** to set preheating or **CONTINUE** to review the set recipe.
- 10 Touch **SAVE AND CREATE NEW** to save the recipe in memory but not use it at this time. Touch **SAVE AND COOK NOW** to save the recipe in memory and also proceed to cook now. Touch **CANCEL** to delete the recipe.

Edit a saved recipe

- 1 Touch **FAVORITE RECIPE**.
- 2 Touch **EDIT RECIPE**.
- 3 Touch **▲** or **▼** to highlight the recipe you want to edit.
- 4 Touch **ENTER**.
- 5 Touch **▲** or **▼** to select the setting you want to edit.
- 6 Touch **EDIT** and change the setting.
- 7 Touch **DONE**.
- 8 Touch **SAVE** or **SAVE AND COOK NOW**.

FAVORITE RECIPE

EDIT RECIPE

Use a saved recipe

- 1 Touch **FAVORITE RECIPE**.
- 2 Touch **USE RECIPE**.
- 3 Touch **▲** or **▼** to select the recipe you want to use.
- 4 Touch **ENTER**.
- 5 Touch **START**.
- 6 For double oven models only, touch **UPPER OVEN** or **LOWER OVEN** to select the desired oven.

FAVORITE RECIPE

USE RECIPE

Delete a saved recipe

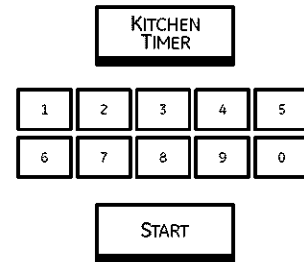
- 1 Touch **FAVORITE RECIPE**.
- 2 Touch **DELETE RECIPE**.
- 3 Touch **▲** or **▼** to select the recipe you want to delete.
- 4 Touch **ENTER**.
- 5 Touch **DELETE**.
- 6 Touch **YES**.

FAVORITE RECIPE

DELETE RECIPE

To set the kitchen timer

- 1 Touch **KITCHEN TIMER**.
- 2 For double wall oven models only, touch **UPPER OVEN** or **LOWER OVEN** to select the timer for the desired oven.
- 3 Touch the numbers until the amount of time you want shows in the display. For example, to set 2 hours and 45 minutes, touch **2**, **4** and **5** in that order.
- 4 Touch **START**.



The KITCHEN TIMER can be set from 1 minute to 24 hours.

This timer does not control oven operations.

If the set time or the remaining time is greater than or equal to one hour, the screen will show hours and minutes [HH: MM]. The letters “H” and “M” will appear to indicate that the time is in hours and minutes. (If one or more hours was set, the screen will not start to show the time counting down until one minute has passed.)

If the set time or the remaining time is less than one hour, the screen will show minutes and seconds [MM : SS]. The letters “M” and “S” will appear to indicate that the time is in minutes and seconds.

- 5 When the timer reaches **:00**, the control will beep 3 times followed by one beep every 6 seconds until **KITCHEN TIMER** is touched.

The tone can be canceled by following the steps in the *Options-Settings* section under *Sound/Volume*.

To cancel the KITCHEN TIMER(s), touch PUSH TO CANCEL TIMER.

To reset the KITCHEN TIMER(s), touch PUSH TO CANCEL TIMER and set a new time.

Control lockout

Your control will allow you to lock out the touch pads so they cannot be activated when touched.

NOTE: On double oven models, this activates the feature for both ovens.

To lock/unlock the controls:

- 1 Touch the **CLEAR/OFF** pad for 3 seconds, until the screen shows **CONTROL LOCKED OUT**.
- 2 To unlock the control, touch the **CLEAR/OFF** pad for 3 seconds, until the home screen appears.

When this feature is on and the touch pads are touched, the control will beep and the display will show **CONTROL LOCKED OUT**.



NOTES:

- The control lockout mode affects all controls except for the **CLEAR/OFF** pad. No other touch pad will work when this feature is activated.
- The adjustment will be retained in memory after a power failure.

Before a clean cycle

The oven door must be closed and all controls must be set correctly for the cycle to work properly.

We recommend venting your kitchen with an open window or using a ventilation fan or hood during the first self-clean cycle.

Remove the broiler pan, broiler grid, probe, all cookware and any aluminum foil from the oven.

The oven racks may remain in the oven during the self-cleaning cycle without being damaged.

Do not use abrasives or oven cleaners. Clean the top, sides and outside of the oven door with soap and water.

Make sure the oven light bulb cover is in place and the oven light is off.

IMPORTANT: The health of some birds is extremely sensitive to the fumes given off during the self-cleaning cycle of any oven. Move birds to another well-ventilated room.

NOTE: Self-Clean will not work if the temperature probe is plugged in or if the Sabbath feature is set.

- On double oven models, you can set a clean cycle in both ovens at the same time. The last oven set will automatically delay its start until the end of the first oven's clean cycle.
- On double oven models, you can use timed baking in one oven and self-clean in the other at the same time.

▲ CAUTION: *Never place cooking utensils or any other items on the oven floor. There is a heating element beneath the oven floor. Placing items on the oven floor may cause the oven to overheat, resulting in damage to the oven and risk of damage or fire to cabinets.*

Self-Cleaning Oven

Wall Oven

How to set the oven for cleaning

- 1 Touch **SELF CLEAN**.
- 2 For **double oven models only**, touch **UPPER OVEN** or **LOWER OVEN** to select the desired oven.
- 3 Three self clean time options are available:
 - **LIGHT CLEAN** – Touch for an automatic 3-hour clean time. Recommended for use when cleaning small, contained spills.
 - **REGULAR CLEAN** – Touch for an automatic 5-hour clean time. Recommended for a dirtier oven.
 - **CUSTOM** – Touch and, using the numbers, set a clean time between 3 hours and 7 hours and 30 minutes, depending on how dirty your oven is.

4 Touch **NOW**.

The door locks automatically. The screen will show the clean time remaining. It will not be possible to open the oven door until the temperature drops below the lock temperature and **OVEN LOCKED** goes off.

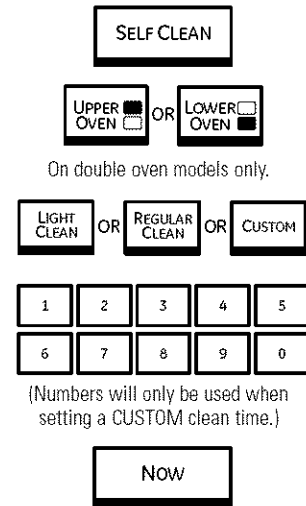
When **OVEN LOCKED** goes off, you will be able to open the door.

- The words **LOCK DOOR** will appear and the oven control will signal if you set the clean cycle and forget to close the oven door.
- To stop a clean cycle, touch the **CANCEL** or **CLEAR/OFF** pad. When **OVEN LOCKED** goes off, indicating the oven has cooled below the locking temperature, you will be able to open the door.

On double oven models, you can set a clean in both ovens at the same time. The second oven set will automatically delay the start of cleaning until the end of the first oven's clean cycle.

To set the second oven, there are two options available:

- Immediately after setting the first oven:
 - Select **PRESS TO MAKE LOWER OVEN SELECTIONS** or **PRESS TO MAKE UPPER OVEN SELECTIONS** as needed and follow steps 3 and 4.
- From the home screen:
 - 1 Touch **SELF CLEAN**.
 - 2 Touch **LIGHT CLEAN, REGULAR CLEAN** or **CUSTOM**. See above for reference.
 - 3 Touch **START AFTER 1ST SELF CLEAN** for the second oven to automatically start cleaning after the first oven has finished.



How to delay the start of cleaning

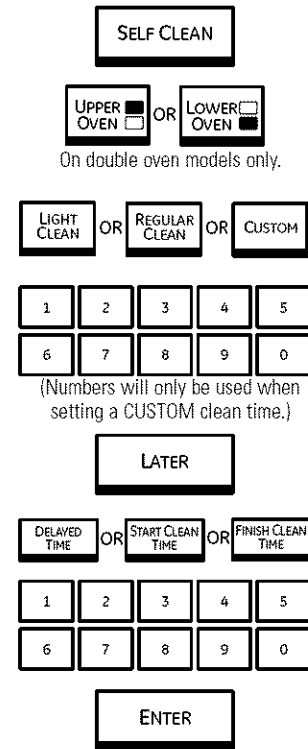
The oven door must be closed and all controls must be set correctly for the cycle to work properly.

- 1 Touch **SELF CLEAN**.
- 2 For double oven models only, touch **UPPER OVEN** or **LOWER OVEN** to select the desired oven.
- 3 Three self clean time options are available:
 - **LIGHT CLEAN** – Touch for an automatic 3-hour clean time. Recommended for use when cleaning small, contained spills.
 - **REGULAR CLEAN** – Touch for an automatic 5-hour clean time. Recommended for a dirtier oven.
 - **CUSTOM** – Touch and, using the numbers, set a clean time between 3 hours and 7 hours and 30 minutes, depending on how dirty your oven is.
- 4 Touch **LATER**.
- 5 Three delay start time setting options are available:
 - **DELAYED TIME** – Touch and then use the numbers to set the amount of time before you want cleaning to start. Touch **ENTER**.
 - **START CLEAN TIME** – Touch and then use the numbers to set the time of day you want cleaning to begin. Touch **ENTER**.
 - **FINISH CLEAN TIME** – Touch and then use the numbers to set the time of day that you want cleaning to finish. Touch **ENTER**.

The door locks automatically. The screen will show the start time. It will not be possible to open the oven door until the temperature drops below the lock temperature and **OVEN LOCKED** goes off.

When **OVEN LOCKED** goes off, you will be able to open the door.

On double oven models, you can set a clean in both ovens at the same time. The second oven set will automatically delay the start of cleaning until the end of the first oven's clean cycle or until the delay time that you set.



To set the second oven, there are two options available:

- Immediately after setting the first oven:
 - Select **PRESS TO MAKE LOWER OVEN SELECTIONS** or **PRESS TO MAKE UPPER OVEN SELECTIONS** as needed and follow steps 3–6 above for the second oven.
- From the home screen:
 - 1 Touch **SELF CLEAN**.
 - 2 Touch **LIGHT CLEAN**, **REGULAR CLEAN** or **CUSTOM**. See above for reference.
 - 3 Touch **START AFTER 1ST SELF CLEAN** for the second oven to automatically start cleaning after the first oven has finished cleaning or **DELAYED TIME** and follow step 6 above to set the time you want the second oven to start.

To recall the remaining time or the start time set, touch **SELF CLEAN**.

 - To stop a clean cycle, touch **CANCEL** or the **CLEAR/OFF** pad. When **OVEN LOCKED** goes off, indicating the oven has cooled below the locking temperature, you will be able to open the door.

Self-Cleaning Oven

Wall Oven

After a clean cycle

You may notice some white ash in the oven.
Wipe it up with a damp cloth after the oven cools.

If white spots remain, remove them with a soap-filled steel-wool pad and rinse thoroughly with a vinegar and water mixture. These deposits are usually a salt residue that cannot be removed by the clean cycle.

If the oven is not clean after one clean cycle, repeat the cycle.

- You cannot set the oven for cooking until the oven is cool enough for the door to unlock.
- While the oven is self-cleaning, you can touch **CLOCK** to display the time of day. To return to the clean countdown, touch **SELF CLEAN**.
- If the racks become hard to slide, wipe the rack supports with cooking oil.

Proofing

The proofing feature maintains a warm environment useful for rising yeast-leavened products.

1 Place in the oven on rack B or C and, for best results, cover the dough with a cloth.

2 Touch **OPTIONS**.

3 Touch **PROOF**.

The oven interior light turns on and then will cycle during proofing.

The proofing feature automatically provides the optimum temperature for the proofing process, and therefore does not have a temperature adjustment.

4 For double oven models only, touch **UPPER OVEN** or **LOWER OVEN** to select the desired oven.

5 Touch **START**.

6 Set the **KITCHEN TIMER** for the minimum proof time.

7 When proofing is finished, touch **CANCEL**.

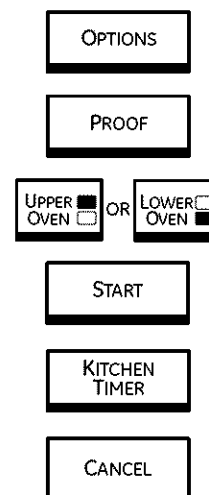
- Proofing will not operate when oven is above 125°F. "OVEN IS TOO HOT" will show in the display.

- It is not necessary to preheat the oven for proofing.

- To avoid lowering the oven temperature and lengthening proofing time, do not open the oven door unnecessarily.

- Check bread products early to avoid over-proofing.

NOTE: Do not use the proofing mode to reheat cold food or to keep hot, cooked food warm. The proofing oven temperature is not hot enough to hold foods at safe temperatures. Use the **WARM** feature to keep hot food warm.



Warming

Warm can be activated to keep hot, cooked foods warm. This feature is not designed to reheat cold food.

- 1 Touch **OPTIONS**.
- 2 Touch **WARM**.
- 3 For double oven models only, touch **UPPER OVEN** or **LOWER OVEN** to select the desired oven.
- 4 Touch to select **HIGH**, **MEDIUM** or **LOW** automatic set temperature.
- 5 Touch to select **CRISP** or **MOIST**, depending on whether you want the foods you are warming to be crispy or moist.
- 6 Touch **START**.

Allow time for the oven to be preheated:

- LOW** 8 minutes
- MED** 15 minutes
- HIGH** 20 minutes

NOTE: The convection fan will turn on during **CRISP**.

For double oven models only, to set the second oven, select **PRESS TO MAKE LOWER OVEN SELECTIONS** or **PRESS TO MAKE UPPER OVEN SELECTIONS** as needed and follow the above steps.

The set temperature may be changed by touching **CHANGE TIME-TEMP** for the appropriate oven.

The settings may be cancelled by touching **CANCEL** for the appropriate oven.

The timer can be set by touching **SET KITCHEN TIMER**. See the *Kitchen Timer* section.

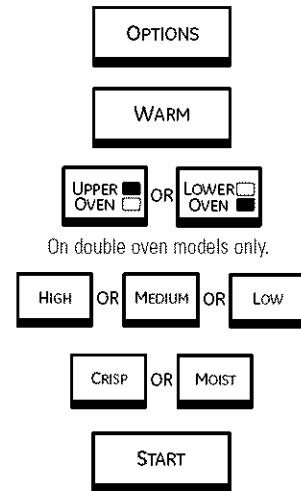
To Crisp Stale Items

- Place food in low-sided dishes or pans.
- For best results, place the food items in a single layer. Do not stack.
- Leave them uncovered.
- Preheat on **LOW** setting.
- Check crispness after 45 minutes. Add time as needed.

CAUTION: Do not keep food in the warming mode for more than 2 hours.

IMPORTANT NOTES:

- Food should be kept hot in its cooking container or transferred to a heat-safe serving dish.
- Food in heat-safe glass and glass ceramic pans may need a higher thermostat setting as compared to food in metal pans.
- For moist foods, cover them with an oven-safe lid or aluminum foil.



- Fried or crisp foods do not need to be covered, but can become too dry if warmed for too long.
- Repeated opening of the door allows the hot air to escape and the food to cool.
- Allow extra time for the temperature inside the oven to stabilize after adding items.
- With large loads it may be necessary to use a higher thermostat setting and cover some of the cooked food items.
- Remove serving spoons, etc., before placing containers in the oven.
- Do not use plastic containers, lids or plastic wrap.

CAUTION: Plastic containers, lids or plastic wrap will melt if placed in the oven. Melted plastic may not be removable and is not covered under your warranty.

To Warm Serving Bowl and Plates

To warm serving bowls and plates, set the control on **LOW**.

- Use only heat-safe dishes.
- Place the empty dishes on the rack. If you want hotter dishes or want to heat fine china, please check with the manufacturer of the dishes for their maximum heat tolerance.
- The empty serving dish will heat while the oven is preheating.
- When holding hot, cooked foods and warming empty serving dishes at the same time, place the serving dishes on a higher rack position and the food on a lower rack position.

CAUTION: Dishes may be hot. Use pot holders or mitts when removing hot dishes.

Temperature selection chart for crisp foods

To keep several different foods hot, set the temperature to the food needing the highest setting. Place the items needing the highest setting on a lower rack and items needing less heat on an upper rack.

Food Type	Control Setting
Bacon	HIGH
Bread, hard rolls	MED
Fried foods	HIGH
Pies (two crusts)	MED
Pizza	MED
Potatoes, baked	HIGH
Tortilla Chips	LOW

Tips:

- Leave food uncovered.
- Do not use plastic containers or plastic wrap.
- Preheat prior to use.

Temperature selection chart for moist foods

To keep several different foods hot, set the temperature to the food needing the highest setting. Place the items needing the highest setting on a lower rack and items needing less heat on an upper rack.

Food Type	Control Setting
Beef, medium and well done*	MED
Bread, soft rolls	MED
Casseroles	MED
Chili	HIGH
Cooked cereal	MED
Eggs	MED
Fish, seafood	MED
Fruit	MED
Gravy, cream sauces	MED
Ham	MED
Lamb	MED
Pancakes, waffles	LOW
Pies (one crust)	MED
Pork	MED
Potatoes, mashed	MED
Poultry	HIGH
Vegetables	MED

** USDA/FSIS recommends an internal temperature of 145°F as the minimum doneness for beef. Use a portable meat thermometer to check internal temperatures.*

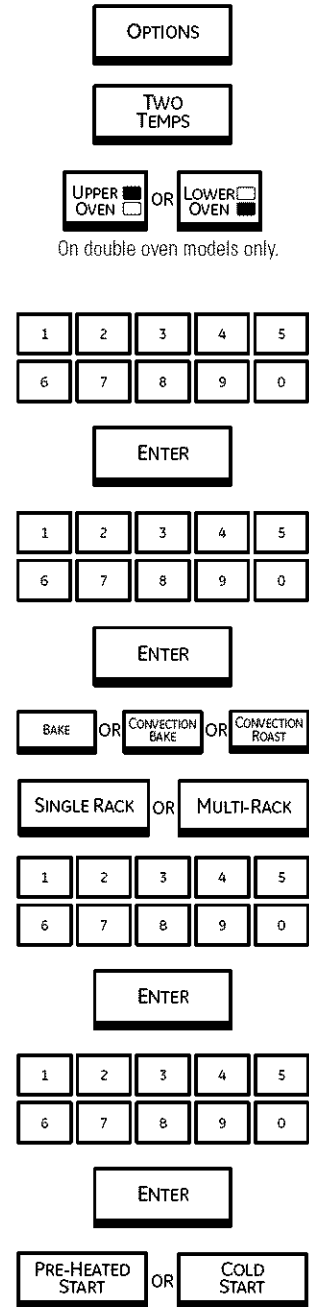
Tips:

- Cover food with lid or aluminum foil.
- Do not put water in the oven.
- Do not use plastic containers or plastic wrap.
- Preheat prior to use.

Two temps

Use to set a first temperature with a cooking time and also a second temperature with a second cooking time.

- 1 Touch **OPTIONS**.
- 2 Touch **TWO TEMPS**.
- 3 For double oven models only, touch **UPPER OVEN** or **LOWER OVEN** to select the desired oven.
- 4 Touch the numbers to set the desired first temperature.
- 5 Touch **ENTER**.
- 6 Touch the numbers to set the desired length of the first cooking time.
- 7 Touch **ENTER**.
- 8 Touch **BAKE**, **CONVECTION BAKE** or **CONVECTION ROAST** as desired.
- 9 If **CONVECTION BAKE** was selected, touch **SINGLE RACK** for one rack or **MULTI-RACK** for two or three rack cooking.
- 10 Touch the numbers to set the desired second temperature.
- 11 Touch **ENTER**.
- 12 Touch the numbers to set the desired length of the second cooking time.
- 13 Touch **ENTER**.
- 14 Touch **PRE-HEATED START** or **COLD START**.



Cook and hold

Your control has a cook and hold feature that keeps cooked foods warm for up to 3 hours after Timed Baking or Timed Roasting is finished.

NOTE: This feature can only be programmed to work with Timed Baking or Timed Roasting. (See the Using the timed baking or timed roasting features section.) After Timed Baking or Timed Roasting has automatically stopped and the MORE TIME option ends, the programmed cook and hold will automatically start.

There are two ways to activate this feature for use after Timed Baking or Timed Roasting:

• **After setting a Timed Bake or Timed Roast:**

- 1 Touch **ADD BAKE OPTION, ADD CONV BAKE OPTION** or **ADD ROAST OPTION** depending on the cooking mode you are setting.
- 2 Touch **COOK & HOLD**.
- 3 Touch **OK**.
- 4 Touch **PRE-HEATED START** or **COLD START**.

COOK & HOLD

• **Set using OPTIONS:**

- 1 Touch **OPTIONS**.
- 2 Touch **COOK & HOLD**.
- 3 For double oven models only, touch **UPPER OVEN** or **LOWER OVEN** to select the desired oven.
- 4 Touch **OK**.
- 5 Touch **BAKE, CONVECTION BAKE, CONVECTION ROAST** or **TWO TEMPS**.
- 6 Touch the numbers to enter the temperature(s) and the time(s).
- 7 Touch **ENTER**.
- 8 Touch **PRE-HEATED START** or **COLD START**.

Dehydrate

Dehydration (Drying) is a method of preserving fruits, vegetables, herbs and meats by removing moisture so bacteria, yeast and mold cannot grow and spoil the food. The oven uses an automatic set temperature and the convection fan to remove moisture from the foods to dry and preserve them. Note that over 12 hours may be required to dry some foods.

Accurate and complete information on basic food drying is available from your local cooperative extension service office. To locate this office in your area, look in your telephone directory for the county government listings under your county name.

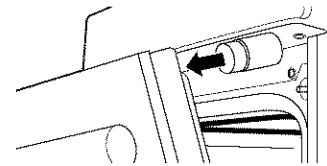
During dehydration, your oven door must remain partially open to allow for air circulation and moisture removal.

Use the dehydration doorstop, which is included with your oven, to hold the door open for dehydration.

- 1 Open the oven door.
- 2 Place the magnetic end of the doorstop onto the upper inside surface of the oven door.
- 3 Close the oven door, allowing the door to rest against the doorstop.
- 4 Touch **OPTIONS**.
- 5 Touch **DEHYDRATE**.
- 6 For double oven models only, touch **UPPER OVEN** or **LOWER OVEN** to select the desired oven.
- 7 Enter the temperature (max. 200°F).
- 8 Touch **ENTER**.
- 9 Touch **START**.

NOTES:

- Store the doorstop in a safe place when not in use.
- Use only the doorstop provided with your oven and only use the doorstop while dehydrating.
- Do not store the doorstop in the oven.
- Remember that the proper preparation, treatment and storage of food are essential for the quality and safety of dried food.



Place the magnetic end onto the upper inside surface of the oven door. Close the door against the doorstop.

OPTIONS

DEHYDRATE

UPPER OVEN

OR

LOWER OVEN

ENTER

START

Dehydrating Helpful Tips:

- Multiple racks of food can be dried at one time.
- Drying time will vary depending on several factors:
 - number of racks of food
 - amount of food on each rack
 - size, shape and thickness of food
 - type of drying trays used
- Use food preservation resources, such as your local cooperative extension service, as a guide for selecting food-safe drying trays.

To order a replacement doorstop, call our National Parts Center at 800.626.2002 and reference WB08T10024.

Delayed start and automatic stop

NOTE: Foods that spoil easily—such as milk, eggs, fish, stuffings, poultry and pork—should not be allowed to sit for more than 1 hour before or after cooking. Room temperature promotes the growth of harmful bacteria.

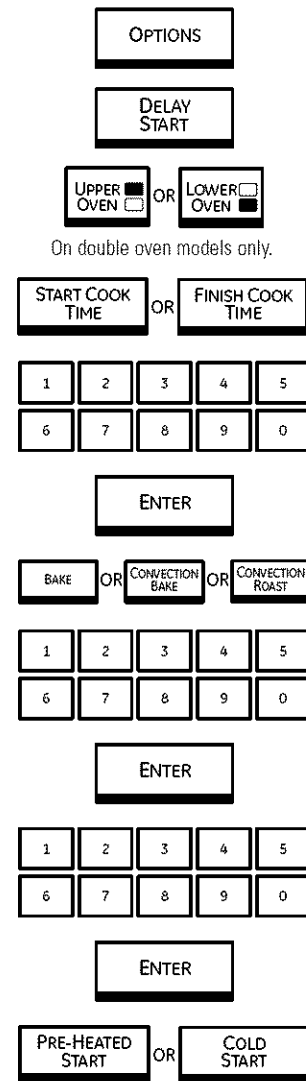
You can set the oven control to delay-start the oven in Bake, Convection Bake or Convection Roast for a specific length of time and then turn off automatically. Also see the *Timed Baking and Timed Roasting* and the *Timed Convection Baking and Timed Roasting* sections.

Make sure the clock shows the correct time of day.

- 1 Touch **OPTIONS**.
- 2 Touch **DELAY START**.
- 3 For double oven models only, touch **UPPER OVEN** or **LOWER OVEN** to select the desired oven.
- 4 Two delay start time setting options are available:
 - **START COOK TIME** – Touch and then use the numbers to set the amount of time before you want cooking to start. Touch **ENTER**. For example, if you want cooking to begin in 2 hours, enter **2, 0** and **0**.
 - **FINISH COOK TIME** – Touch and then use the numbers to set the amount of time beyond the time of day that you want cooking to end. Touch **ENTER**. For example if it is 12:00, your cooking time is 2 hours and you want to serve dinner at 5:00, then enter **3, 0** and **0**.
- 5 Touch **BAKE**, **CONVECTION BAKE** or **CONVECTION ROAST** as desired.
- 6 Touch the numbers to set the desired temperature.
- 7 Touch **ENTER**.
- 8 Touch the numbers to set the desired length of cooking time.
- 9 Touch **ENTER**.
- 10 Two start options are available when the delayed start time is reached:
 - **PRE-HEATED START** – Touch to select preheat. When the delayed start time is reached, the oven will turn on and preheat will begin. The oven interior lights will turn on and stay on until the oven turns off.

The convection fan will turn on during preheating. The control will signal when the oven is preheated—this will take approximately 10 minutes. The screen will show the set temperature.
 - **COLD START** – Touch to select for the oven to start immediately (without preheating) when the delayed start time is reached. The oven interior lights will turn on and stay on until the oven turns off. The convection fan will also turn on.

For double oven models only, to set the second oven, select **PRESS TO MAKE LOWER OVEN SELECTIONS** or **PRESS TO MAKE UPPER OVEN SELECTIONS** as needed and follow the above steps.



The set temperature may be changed by touching **CHANGE TIME-TEMP** for the appropriate oven.

The settings may be cancelled by touching **CANCEL** for the appropriate oven.

The timer can be set by touching **SET KITCHEN TIMER**. See the *Kitchen Timer* section.

When the delayed start time is reached, the oven will start and continue to cook for the programmed amount of time, then shut off automatically, unless the Cook and Hold feature was set. See the *Cook and Hold* section.

After cooking is complete the oven will signal and "MORE TIME" will display for five minutes. Check food for doneness. If more cooking time is needed, touch **MORE TIME** and enter additional cooking time. If not selected, the screen will automatically clear in five minutes.

*Sabbath feature—
How to set
for regular
baking/
roasting
(Designed for
use on the
Jewish Sabbath
and
Holidays.)
(on some
models)*

The Sabbath feature can be used for baking/roasting only. It cannot be used for convection, broiling, self-cleaning or Delay Start cooking.

- 1 Touch **OPTIONS**.
- 2 Touch **SABBATH**.
After entering the SABBATH screen, the touch screen pads will not sound. They will change color to indicate they are set.
- 3 **For double oven models only**, touch **UPPER OVEN BAKE** and/or **LOWER OVEN BAKE** to select the desired oven(s).
- 4 Touch the numbers to set the desired temperature between 170°F and 550°F. No signal or temperature will be given.
- 5 Touch **START**.
- 6 After a random delay period of approximately 30 seconds to 1 minute, the oven will begin baking/roasting. The touch screen will not change and the oven light will be disabled.

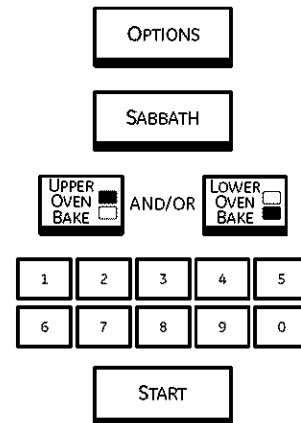
To adjust the oven temperature, repeat steps 3, 4, 5 and 6.

To cancel the Sabbath option, touch and hold **CANCEL HOLD 3 SEC** for three seconds.

NOTES: CANCEL HOLD 3 SEC, CLEAR/OFF and **CANCEL** are the only pads which are immediately active during Sabbath baking. These pads will cancel the current bake operation immediately after being pressed and should only be pressed after Sabbath ends. All other keys have a delayed effect.

If a power outage occurred while the oven was in Sabbath, the oven will automatically turn off and stay off even when the power returns. Sabbath mode will resume, but any bake operation will be canceled.

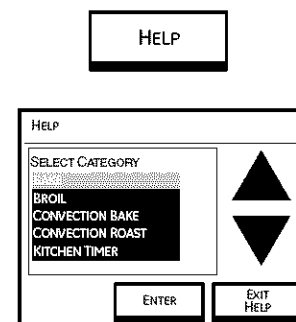
NOTE: If a bake mode or a timed-bake mode is active prior to entering the Sabbath mode, those baking modes will still be active after entering the Sabbath mode. All other cooking modes will be canceled after Sabbath mode begins.



Help feature

Touch this pad to find out more about your oven's features.

- 1 Touch the **HELP** pad.
- 2 Touch the ▲ (up) or ▼ (down) arrow to select the desired feature.
- 3 Touch **ENTER**.
- 4 Touch the ▼ (down) arrow, if present, to see all of the HELP text.
- 5 Touch **EXIT HELP** to exit the HELP screen.



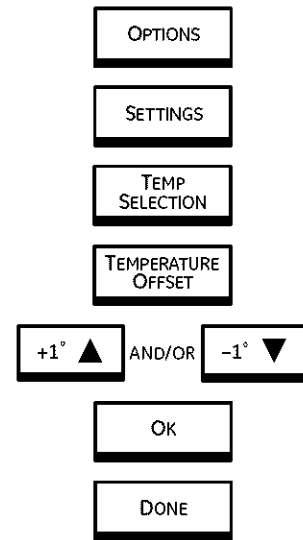
*Adjust
the oven
thermostat—
Do it
yourself*

You may find that your new oven cooks differently than the one it replaced. Use your new oven for a few weeks to become more familiar with it. If you still think your new oven is too hot or too cold, you can adjust the thermostat yourself.

Do not use thermometers, such as those found in grocery stores, to check the temperature setting of your oven. These thermometers may vary 20–40 degrees.

NOTE: This adjustment will only affect baking and roasting temperatures; it does not affect broiling, convection or self-cleaning temperatures. The adjustment will be retained in memory after a power failure.

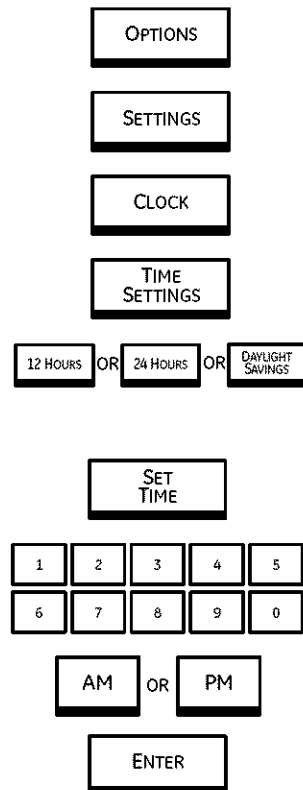
- 1 Touch **OPTIONS**.
- 2 Touch **SETTINGS**.
- 3 Touch **TEMP SELECTIONS**.
- 4 Touch **TEMPERATURE OFFSET**.
- 5 The oven temperature can be adjusted up to (+) 35°F hotter or (-) 35°F cooler. Touch + 1° ▲ or - 1° ▼ to increase or decrease the offset temperature in 1° increments.
- 6 When you have made the adjustment, touch **OK** and **DONE**. Use your oven as you would normally.



*To set the
clock*

The clock must be set to the correct time of day for the automatic oven timing functions to work properly. The time of day cannot be changed during a timed baking or self-cleaning cycle.

- 1 Touch **OPTIONS**.
- 2 Touch **SETTINGS**.
- 3 Touch **CLOCK**.
- 4 Touch **TIME SETTINGS**.
- 5 **Three options are available:**
 - To set a 12 hour day time: Touch **12 HOURS**, touch **SET TIME**, enter the time in hours and minutes from 1:00 to 12:59, touch **AM** or **PM**, touch **START** and touch **OK**.
 - To set a 24 hour (military) time: Touch **24 HOURS**, touch **SET TIME**, enter the time in hours and minutes from 00:01 to 23:59, touch **START** and touch **OK**.
 - To set for daylight savings time: Touch **DAYLIGHT SAVINGS**, touch **BACK 1 HOUR** to fall back one hour or touch **FORWARD 1 HOUR** to spring forward one hour.
- 6 Touch **SET TIME**.
- 7 Touch the numbers to enter the current time in hours and minutes.
- 8 Touch **AM** or **PM**.
- 9 Touch **ENTER**.



Make sure the clock is set to the correct time of day.

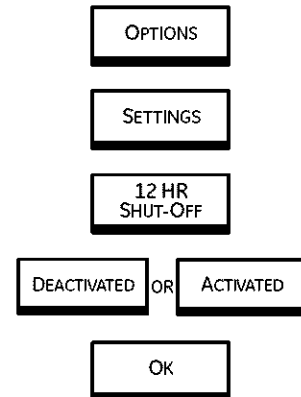
**12-hour
shut-off**

With this option, should you forget and leave the oven on, the control will automatically turn off the oven after 12 hours during baking functions or after 3 hours during a broil function.

NOTE: On double oven models, this activates this special feature for both ovens.

Follow the steps below:

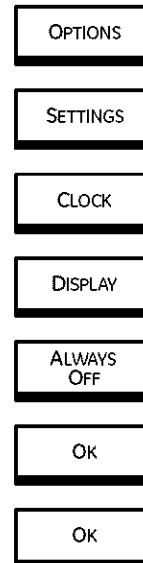
- 1 Touch **OPTIONS**.
- 2 Touch **SETTINGS**.
- 3 Touch **12 HR SHUT-OFF**.
- 4 Touch **DEACTIVATED** or **ACTIVATED**.
- 5 Touch **OK**.

**Clock
blackout**

If you would prefer to black out the clock display, follow the steps below.

- 1 Touch **OPTIONS**.
- 2 Touch **SETTINGS**.
- 3 Touch **CLOCK**.
- 4 Touch **DISPLAY**.
- 5 Touch **ALWAYS OFF**.
- 6 Touch **OK**.
- 7 Touch **OK** again.

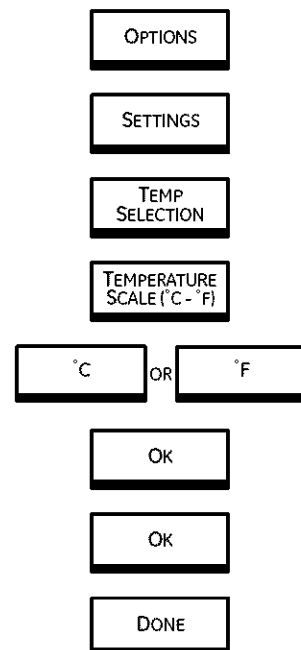
NOTE: If the clock is in the black-out mode, you will not be able to use the Delay Start function.

**Fahrenheit
or celsius
temperature
selection**

Your oven control is set to use the Fahrenheit temperature selections, but you may change this to use the Celsius selections.

- 1 Touch **OPTIONS**.
- 2 Touch **SETTINGS**.
- 3 Touch **TEMP SELECTIONS**.
- 4 Touch **TEMPERATURE SCALE (°C-°F)**.
- 5 Touch **°F** for Fahrenheit or touch **°C** for Celsius.
- 6 Touch **OK**.
- 7 Touch **OK** again.
- 8 Touch **DONE**.

NOTE: On double oven models, the new setting will apply for both ovens.



Auto Recipe™ Conversion (on some models)

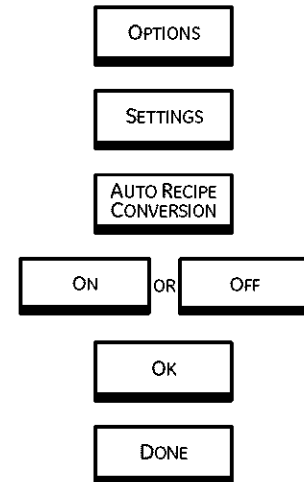
When using convection bake, the Auto Recipe™ Conversion option will automatically convert entered regular baking temperatures to convection baking temperatures.

Once the feature is activated, the screen will show the actual converted (reduced) temperature. For example, if you enter a regular recipe temperature of 350°F and touch **START**, the screen will show **CON** and the converted temperature of 325°F.

NOTE: This option does not convert convection bake cooking times, only regular baking temperatures.

To activate/deactivate the feature:

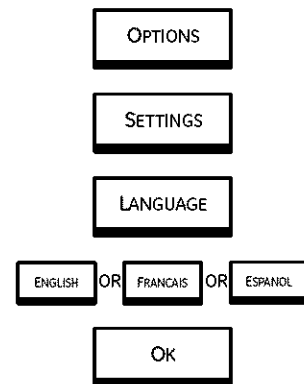
- 1 Touch **OPTIONS**.
- 2 Touch **SETTINGS**.
- 3 Touch **AUTO RECIPE CONVERSION**.
- 4 Touch **ON** to turn the auto conversion option on or **OFF** to turn the option off.
- 5 Touch **OK**.
- 6 Touch **DONE**.



Language

This option allows you to choose English, Spanish or French for the touch screen.

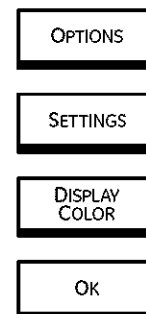
- 1 Touch **OPTIONS**.
- 2 Touch **SETTINGS**.
- 3 Touch **LANGUAGE**.
- 4 Touch **ENGLISH, FRANÇAIS** or **ESPAÑOL**.
- 5 Touch **OK**.



Display color

This option allows you to change the colors of the touch screen.

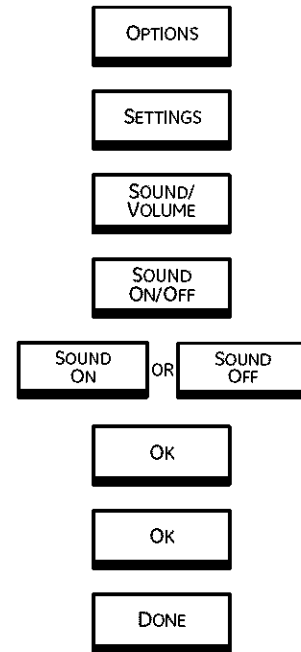
- 1 Touch **OPTIONS**.
- 2 Touch **SETTINGS**.
- 3 Touch **DISPLAY COLOR**.
- 4 Touch the desired colors.
- 5 Touch **OK**.



Sound on/off

This option allows you to turn on or off the beep sound when a pad is touched.

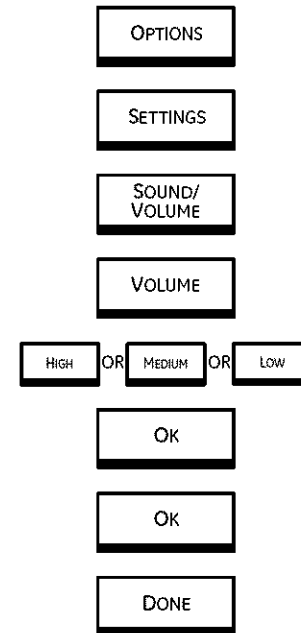
- 1 Touch **OPTIONS**.
- 2 Touch **SETTINGS**.
- 3 Touch **SOUND/VOLUME**.
- 4 Touch **SOUND ON/OFF**.
- 5 Touch **SOUND ON** for the pads to beep when touched or touch **SOUND OFF** to eliminate the beep when pads are touched.
- 6 Touch **OK**.
- 7 Touch **OK** again.
- 8 Touch **DONE**.



Sound volume

This feature allows you to adjust the sound volumes to a more acceptable volume. There are three possible volume levels.

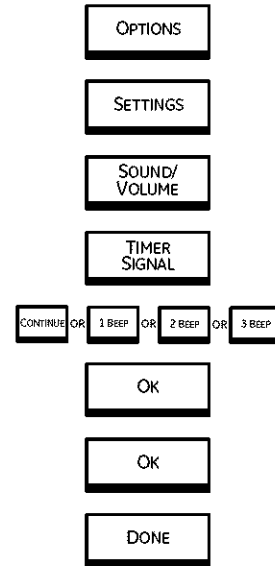
- 1 Touch **OPTIONS**.
- 2 Touch **SETTINGS**.
- 3 Touch **SOUND/VOLUME**.
- 4 Touch **VOLUME**.
- 5 Touch **HIGH**, **MEDIUM** or **LOW** to select the pad sound level when touched.
- 6 Touch **OK**.
- 7 Touch **OK** again.
- 8 Touch **DONE**.



Timer signal

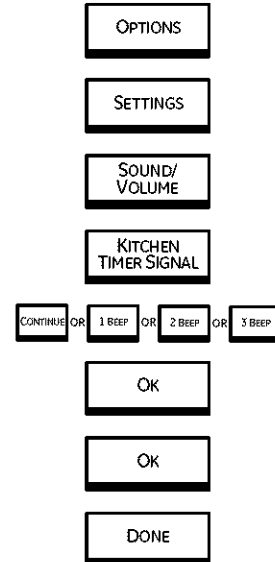
This option allows you to set the type of signal used at the end of a timed cycle.

- 1 Touch **OPTIONS**.
- 2 Touch **SETTINGS**.
- 3 Touch **SOUND/VOLUME**.
- 4 Touch **TIMER SIGNAL**.
- 5 Touch **CONTINUE, 1 BEEP, 2 BEEP** or **3 BEEP**.
- 6 Touch **OK**.
- 7 Touch **OK** again.
- 8 Touch **DONE**.

*Kitchen timer signal*

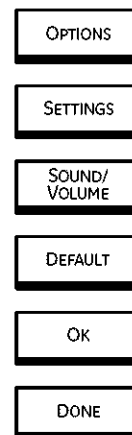
This option allows you to set the type of signal used for the kitchen timer.

- 1 Touch **OPTIONS**.
- 2 Touch **SETTINGS**.
- 3 Touch **SOUND/VOLUME**.
- 4 Touch **KITCHEN TIMER SIGNAL**.
- 5 Touch **CONTINUE, 1 BEEP, 2 BEEP** or **3 BEEP**.
- 6 Touch **OK**.
- 7 Touch **OK** again.
- 8 Touch **DONE**.

*Sound/volume default*

This option allows you to automatically set all signals to the default settings.

- 1 Touch **OPTIONS**.
- 2 Touch **SETTINGS**.
- 3 Touch **SOUND/VOLUME**.
- 4 Touch **DEFAULT**.
- 5 Touch **OK**.
- 6 Touch **DONE**.



Care and Cleaning

Wall Oven

BE SURE ELECTRICAL POWER IS OFF AND ALL SURFACES ARE COOL BEFORE CLEANING ANY PART OF THE OVEN.

Oven heating elements

Do not clean the broil element. Any soil will burn off when the element is heated.

The bake element is not exposed and is under the oven floor. If spillovers, residue or ash accumulate on the oven floor, wipe up before self-cleaning.

Broiler pan and grid

After broiling, remove the broiler pan and grid from the oven. Remove the grid from the pan. Carefully pour out the grease from the pan into a proper container. Wash and rinse the broiler pan and grid in hot water with a soap-filled or plastic scouring pad.

If food has burned on, sprinkle the grid with detergent while hot and cover with wet paper towels or a dishcloth. Soaking the pan will remove burned-on foods.

The broiler pan and grid may be cleaned with a commercial oven cleaner.

The broiler pan and grid can also be cleaned in the dishwasher.

Do not store a soiled broiler pan or grid anywhere in the oven.

CAUTION: Do not clean the broiler pan or grid in a self-cleaning oven.

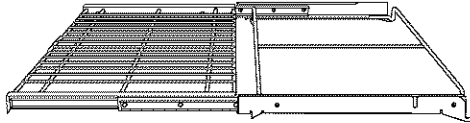


Oven racks

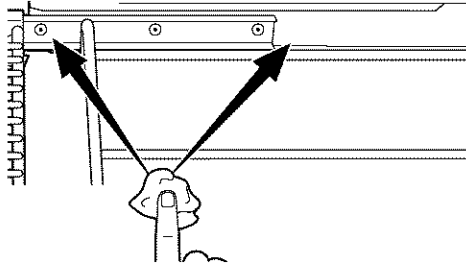
The racks may remain in the oven during the self-cleaning cycle without being damaged.

Periodically, after several self-clean cycles, the oven racks may need to be lubricated using the Graphite Lubrication shipped with your wall oven. To order additional Graphite Lubrication, call our National Parts Center 800.626.2002 and reference **WB02T10303**.

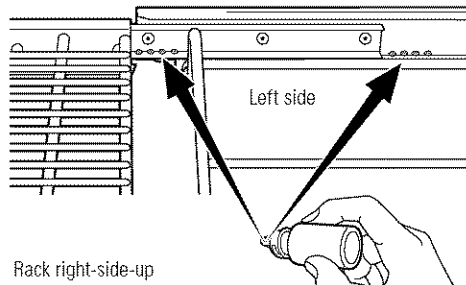
- 1 Remove rack from the oven. See the *Full extension oven racks* section.
- 2 Fully extend the rack on a table or countertop. Newspaper may be placed underneath the rack for easy clean up.



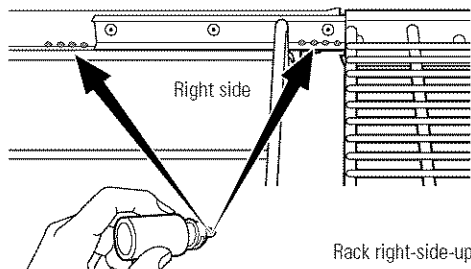
- 3 If there is debris in the slide tracks, wipe it away using a paper towel. **NOTE:** Any graphite lubricant wiped away must be replaced.



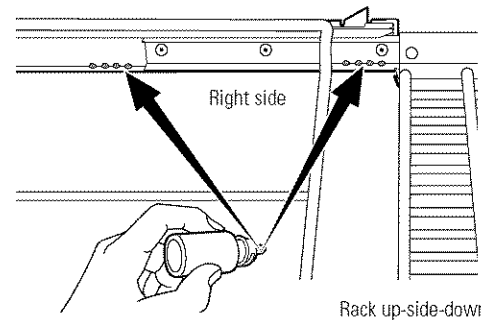
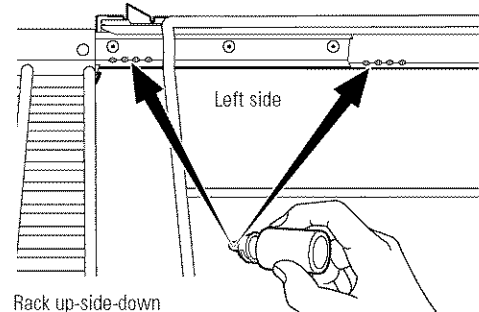
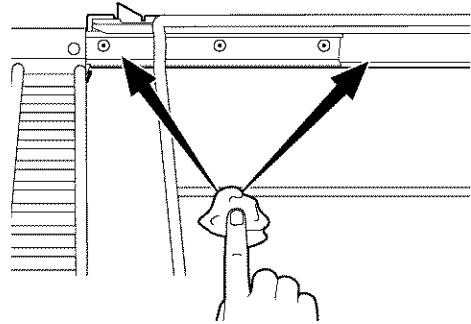
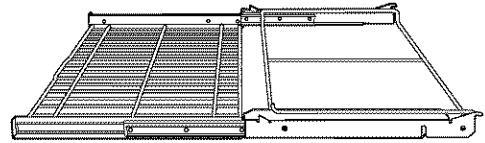
- 4 Shake the graphite lubricant before opening it. Starting with left slide mechanism of the rack, place four (4) small drops of lubricant on the two (2) bottom tracks of the slide close to the bearing carriers.



- 5 Repeat for the right slide mechanism of the rack.



- 6 Open and close the rack several times to distribute the lubricant.
- 7 Replace the cap on the lubricant and shake it again. Turn the rack over and repeat steps 3, 4, 5 and 6.



- 8 Close the rack, turn rack right-side-up and place in the oven. See the *Full extension oven racks* section.

- 9 Repeat above steps for each rack.

NOTE: Do not spray with Pam® or other lubricant sprays.

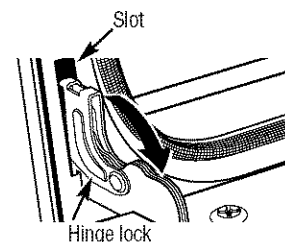
Lift-off oven door—removal

The door is very heavy. Be careful when removing and lifting the door.

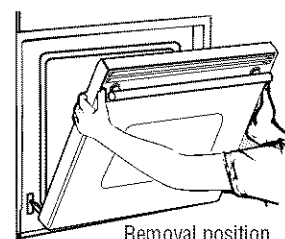
Do not lift the door by the handle.

To remove the door:

- 1 Fully open the door.
- 2 Pull the hinge locks down toward the door frame, to the unlocked position. A tool, such as a small flat-blade screwdriver, may be required.
- 3 Firmly grasp both sides of the door *at the top*.
- 4 Close door to the door removal position, which is most of the way and lift it up and out until the hinge arm is clear of the slot.

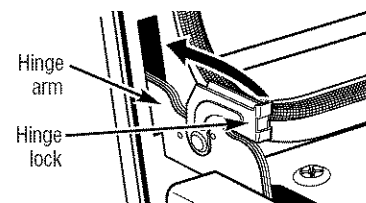
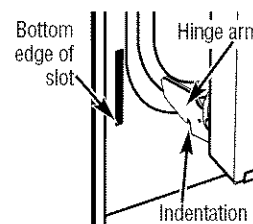


Pull hinge locks down to unlock



To replace the door:

- 1 Firmly grasp both sides of the door *at the top*.
- 2 With the door at the same angle as the removal position, seat the indentation of the hinge arm into the bottom edge of the hinge slot. The notch in the hinge arm must be fully seated into the bottom of the slot.
- 3 Fully open the door. If the door will not fully open, the indentation is not seated correctly in the bottom edge of the slot.
- 4 Push the hinge locks up against the front frame of the oven cavity, to the locked position.
- 5 Close the oven door.



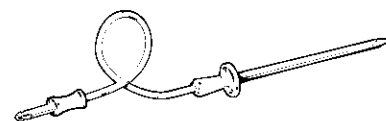
Push hinge locks up to lock

Probe

The temperature probe may be cleaned with soap and water or a soap-filled scouring pad. Cool the temperature probe before cleaning. Scour stubborn spots with a soap-filled scouring pad, rinse and dry.

Do not immerse the temperature probe in water.

Do not store the temperature probe in the oven.



Oven lights

Each oven is equipped with two halogen light assemblies located on the side walls of the oven. The lights come on when the door is opened or when the oven is in a cooking cycle. The oven lights do not come on during self-cleaning or if the Sabbath Feature is set.

Each light assembly consists of a removable light cover with two locking clips, a light compartment with three light bulb sockets and three halogen light bulbs.

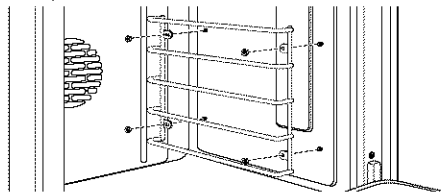
CAUTION: Before replacing the bulb, disconnect electrical power to the oven at the main fuse or circuit breaker panel.

Be sure to let the light cover and bulb cool completely.

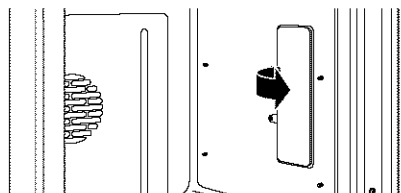
For your safety, do not touch a hot bulb with bare hands or a damp cloth.

To remove:

- 1 Remove the racks from the oven. See the *Full extension oven racks* section.
- 2 Using an adjustable wrench, remove the four nuts holding the rack support over the light assembly.

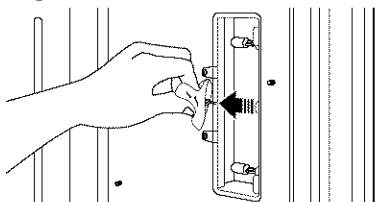


- 3 Remove the glass light cover by pulling its back edge out and rolling it toward you. Do not remove any screws.



NOTE: The two locking clips may fall from the glass light cover. Upon replacement, they will need to be placed in the correct position on the light cover and pressed back into the light compartment until seated.

- 4 Using gloves or a dry cloth, remove the burned-out light bulb by pulling it straight out.



To replace:

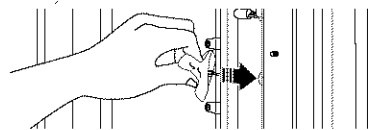
Use a new 120-volt Halogen bulb, with G8 pins, not to exceed 25 watts.

Replacement bulbs may be purchased by calling 800.626.2002. Order Part Number WB25T10064.

NOTE: Higher wattage bulbs will damage your oven.

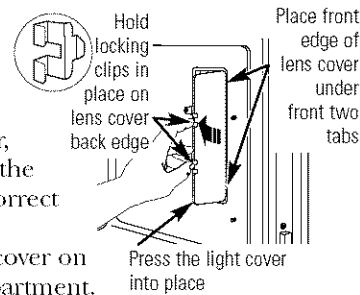
Using gloves or a dry cloth, remove the bulb from its packaging. **Do not touch the bulb with bare fingers.** Oil from bare fingers may cause hot spots on the glass surface and lead to premature failure of the bulb. If you do touch the glass, clean it with alcohol prior to installation.

- 1 Push the bulb straight into the receptacle all the way.



- 2 Replace the light cover, by placing its front edge under the front two tabs in the light compartment. Roll the back edge into place, making sure that it is firmly seated.

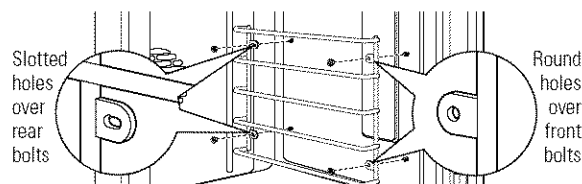
NOTE: If the locking clips fell from the glass lens cover, hold them on the cover, in the correct position, while replacing the cover on the light compartment.



The light cover must be in place when using the oven.

For improved lighting inside the oven, clean the glass cover frequently using a wet cloth. This should be done when the oven is off, disconnected from the power supply, and completely cool.

- 3 Replace the rack support with the slotted holes over the rear bolts and the round holes over the front bolts. Lightly secure with the four nuts removed earlier, but do not over-tighten or the enamel could be chipped.



- 4 Replace the racks. See the *Full extension oven racks* section.

- 5 Reconnect electrical power to the oven.

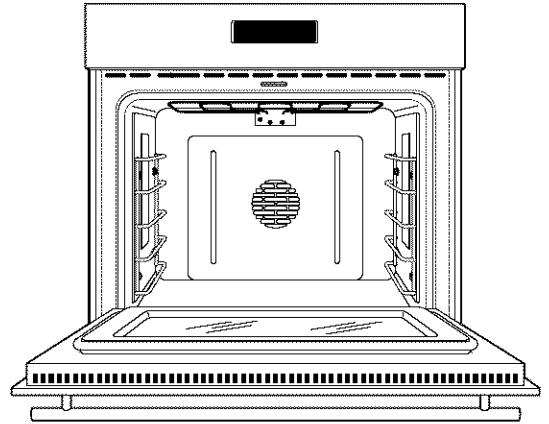
To clean the door

Inside of the door:

- Because the area inside the gasket is cleaned during the self-clean cycle, you do not need to clean this by hand. Any soap left on the liner causes additional stains when the oven is heated, so be sure to rinse thoroughly.
- The area outside the gasket can be cleaned with a soap-filled scouring pad.
- **Do not rub or clean the door gasket**—the fiberglass material of the gasket has an extremely low resistance to abrasion. An intact and well-fitting oven door gasket is essential for energy-efficient oven operation and good baking results. If you notice the gasket becoming worn, frayed or damaged in any way or if it has become displaced on the oven, you should have it replaced.

Outside of the door:

- Depending on your model, see the *Stainless steel surfaces* section or the *Painted surfaces* section.



Control panel

It's a good idea to wipe the control panel after each use. Clean with mild soap and water or vinegar and water, rinse with clean water and polish dry with a soft cloth. When cleaning, the control panel should be at room temperature and not in direct sunlight. Use of other liquid cleaners is not recommended – the residue they leave behind may affect the control.

Do not use abrasive cleansers, strong liquid cleansers, plastic scouring pads or oven cleaners on the control panel—they will damage the finish.

A 50/50 solution of vinegar and hot water works best.

Stainless steel surfaces (on some models)

Do not use a steel-wool pad; it will scratch the surface.

To clean the stainless steel surface, use warm sudsy water or a stainless steel cleaner or polish. Always wipe the surface in the direction of the grain. Follow the cleaner instructions for cleaning the stainless steel surface.

To inquire about purchasing stainless steel appliance cleaner or polish, or to find the location of a dealer nearest you, please call our toll-free number, 800.626.2002 or visit monogram.com.

Painted surfaces (on some models)

Painted surfaces include the door, top of the control panel and the drawer front. Clean these with soap and water or a vinegar and water solution.

Do not use commercial oven cleaners, cleaning powders, steel wool or harsh abrasives on any painted surface.

The Problem Solver

Wall Oven

Save time
& money!

Review the troubleshooting tips on the following pages first and you may not need to call for service.

PROBLEM	POSSIBLE CAUSE
OVEN WILL NOT WORK	<ul style="list-style-type: none"> • A fuse in your home may be blown or the circuit breaker tripped. • The oven controls are not properly set. • The oven controls are set for cleaning. If necessary, allow the oven to cool; then open the door.
OVEN LIGHT(S) DO NOT WORK	<ul style="list-style-type: none"> • The light bulb is defective. Replace the bulb. • The oven is self-cleaning or the Sabbath feature is set. The oven lights do not come on during self-cleaning or if the Sabbath option is set. • The pad operating the light is broken. Call for service.
FOOD DOES NOT BAKE OR ROAST PROPERLY	<ul style="list-style-type: none"> • The oven controls are improperly set. See the <i>Baking or Roasting</i> section. • Oven not preheated for a long enough time (use approximately 10 to 15 minutes). • Incorrect cookware or cookware of improper size being used. See the <i>Pan placement</i> section. • Racks in the wrong position. See the <i>Baking or Roasting</i> section. • Use a foil tent to slow down browning during roasting. • Oven thermostat needs adjustment. See the <i>Adjust the oven thermostat</i> section.
FOOD DOES NOT BROIL PROPERLY	<ul style="list-style-type: none"> • This model is designed for closed door broiling only. Close the door. Always broil with the door closed. • The oven controls are not set properly. See the <i>Broiling</i> section. • The probe is plugged into the outlet in the oven. Remove the probe from the oven. • Improper rack position being used. • Food is being cooked in a hot pan. Use the broiling pan and grid that came with your oven. • Cookware is not suited for broiling. Use the broiling pan and grid that came with your oven. • Aluminum foil used on the broiling pan and grid has not been fitted properly and slit as recommended. • In some areas the power (voltage) may be low. Preheat the broil element for approximately 10 to 15 minutes.
OVEN WILL NOT SELF CLEAN	<ul style="list-style-type: none"> • The oven temperature is too high to set a self-clean operation. Allow the oven to cool below the locking temperature and reset the controls. • The controls are not properly set. See the <i>Self-Cleaning Oven</i> section. • The probe is plugged into the outlet in the oven. Remove the probe from the oven.
“CRACKING” OR “POPPING” SOUND DURING CLEANING	<ul style="list-style-type: none"> • This is normal. This is the sound of the metal heating and cooling during both the cooking and cleaning functions.
EXCESSIVE SMOKING OCCURS DURING CLEANING	<ul style="list-style-type: none"> • Excessive soil. Touch the CLEAR/OFF pad. Open the windows to rid the room of smoke. Wait until OVEN LOCKED goes off. Wipe up the excess soil and reset the clean cycle.
OVEN NOT CLEAN AFTER A CLEAN CYCLE	<ul style="list-style-type: none"> • The oven was heavily soiled. Clean up heavy spillovers before starting the clean cycle. Heavily soiled ovens may need to self-clean again. • Oven is connected to a 208V electrical supply. Set your cleaning time for 5 hours. • The oven controls are not properly set. See the <i>Self-Cleaning Oven</i> section.
OVEN RACKS ARE DIFFICULT TO SLIDE	<ul style="list-style-type: none"> • The racks were cleaned in the self-clean cycle and now need periodic lubrication. Do not spray with Pam® or other lubricant sprays. See <i>Full extension oven racks</i> in the <i>Care and Cleaning</i> section.

The Problem Solver

Wall Oven

Save time
& money!

PROBLEM	POSSIBLE CAUSE
DISPLAY “WAKES UP” WITHOUT TOUCHING IT	<ul style="list-style-type: none"> The Display is equipped with a sensing technology that will “wake up” when you (your hand) approaches the Touch Screen. The display is sensitive and may “wake up” when lights are turned on or due to the movement of nearby people or objects. The Display should return to its standby mode after 10 minutes if no further interaction occurs.
CLOCK AND TIMER DO NOT WORK	<ul style="list-style-type: none"> A fuse in your home may be blown or the circuit breaker tripped. Replace the fuse or reset the circuit breaker. Oven controls improperly set. See the <i>To Set the Clock and Kitchen Timer and Control Lockout</i> sections.
OVEN TEMPERATURE TOO HOT OR TOO COLD	<ul style="list-style-type: none"> Oven thermostat needs adjustment. See the <i>Oven thermostat adjustment</i> section.
OVEN DOOR WILL NOT OPEN AFTER A CLEAN CYCLE	<ul style="list-style-type: none"> The oven is too hot. Allow the oven to cool below locking temperature.
LOCK DOOR FLASHES IN THE DISPLAY	<ul style="list-style-type: none"> The self-clean cycle has been selected but the door is not closed. Close the oven door.
OVEN LOCKED IS ON WHEN YOU WANT TO COOK	<ul style="list-style-type: none"> The oven door is locked because the temperature inside the oven has not dropped below the locking temperature. Touch the CLEAR/OFF pad. Allow the oven to cool.
DISPLAY GOES BLANK	<ul style="list-style-type: none"> A fuse in your home may be blown or the circuit breaker tripped. Replace the fuse or reset the circuit breaker. The clock is in the black-out mode. See the <i>Options–Settings</i> section.
DISPLAY FLASHES	<ul style="list-style-type: none"> Power failure. Reset the clock.
PROBE APPEARS IN THE DISPLAY	<ul style="list-style-type: none"> This is reminding you to enter a probe temperature after plugging in the probe. Enter a probe temperature.
POWER OUTAGE, CLOCK FLASHES	<ul style="list-style-type: none"> Power outage or surge. Reset the clock. If the oven was in use, you must reset it by touching the CLEAR/OFF pad, setting the clock and resetting any cooking function.
STEAM FROM THE VENT	<ul style="list-style-type: none"> When using the convection feature, it is normal to see steam coming out of the oven vent. As the number of racks or amount of food being cooked increases, the amount of visible steam will increase.
“BURNING” OR “OILY” ODOR EMITTING FROM THE VENT	<ul style="list-style-type: none"> This is normal in a new oven and will disappear in time.
STRONG ODOR	<ul style="list-style-type: none"> This is temporary. An odor from the insulation around the inside of the oven is normal for the first few times the oven is used.
FAN NOISE	<ul style="list-style-type: none"> A cooling fan or a convection fan (depending on the function you are using) may turn on. This is normal. The cooling fan will turn on to cool internal parts. It may run after the oven is turned off. The convection fan may cycle on and off until the function is over or the door is opened.
CONTROL SIGNALS AFTER ENTERING COOKING TIME OR DELAY START	<ul style="list-style-type: none"> You forgot to enter a bake temperature or cleaning time. Touch BAKE and desired temperature or SELF CLEAN and desired clean time.
F- AND A NUMBER OR LETTER FLASH IN THE DISPLAY	<ul style="list-style-type: none"> You have a function error code. Touch the CLEAR/OFF pad. Allow the oven to cool for one hour. Put the oven back into operation. If the function code repeats, disconnect all power to the oven for at least 30 seconds and then reconnect power. If the function error code repeats, call for service.
CONTROL KEYS ACTIVATE OR LCD CHANGES SCREENS WHEN I OPEN THE OVEN DOOR	<ul style="list-style-type: none"> The control panel is dirty or there is residue from liquid cleaners. Clean the control panel with a vinegar and water solution, and polish dry with a soft cloth. See the <i>Care and Cleaning</i> section.)

Consumer Product Ownership Registration

Important Mail Today

GE Appliances



Place
1st Class
Letter
Stamp
Here

General Electric Company
Warranty Registration Department
P.O. Box 32150
Louisville, KY 40232-2150

Consumer Product Ownership Registration

Dear Customer:

Thank you for purchasing our product and thank you for placing your confidence in us. We are proud to have you as a customer!

Follow these three steps to protect your new appliance investment:



1

Complete and mail your Consumer Product Ownership Registration today. Have the peace of mind of knowing we can contact you in the unlikely event of a safety modification.

2

After completing this registration, write your model and serial numbers in this manual. You will need this information should you require service. The service number in the USA: 800.444.1845. In Canada: 1.800.561.3344.

3

Read your Owner's Manual carefully. It will help you operate your new appliance properly.

Important: To ensure that your product is registered, mail the separate product registration card. If the separate product registration card is missing, fold and mail the form below. No envelope is needed.

FOLD HERE

Consumer Product Ownership Registration

Important
Mail
Today!

Product
Wall Oven

Model

Serial

Mr. Ms. Mrs. Miss

First Name _____ Last Name _____

Street Address _____

Apt. # _____

City _____ State _____ Zip Code _____

Date Placed In Use Month _____ Day _____ Year _____ Phone Number _____-_____-_____



monogram.com



TAPE CLOSED

Please place in envelope and mail to:
Veuillez mettre dans une enveloppe et envoyez à :

**OWNERSHIP REGISTRATION
P.O. BOX 1780
MISSISSAUGA, ONTARIO
L4Y 4G1**

(FOR CANADIAN CONSUMERS ONLY)



For Canadian
Customers



Pour les
Consommateurs
Canadiens

CUT ALONG THIS LINE AND RETURN CARD - THANKS

OWNERSHIP REGISTRATION CERTIFICATE - FICHE D'INSCRIPTION DU PROPRIÉTAIRE

Please register your product to enable us to contact you in the remote event a safety notice is issued for this product and to allow for efficient communication under the terms of your warranty, should the need arise.

Veuillez enregistrer votre produit afin de nous permettre de communiquer avec vous si jamais un avis de sécurité concernant ce produit était émis et de communiquer facilement avec vous en vertu de votre garantie, si le besoin s'en fait sentir.

REGISTER ON-LINE: www.geappliances.ca		MAIL TO: P.O. BOX 1780, MISSISSAUGA	
ENREGISTREMENT SUR INTERNET À: www.electromenagersge.ca		POSTER À: ONTARIO, L4Y 4G1	
<input type="checkbox"/> MR./M	<input type="checkbox"/> MRS./MME.	FIRST NAME / PRÉNOM	LAST NAME / NOM
<input type="checkbox"/> MISS/MLE.	<input type="checkbox"/> MS.		
STREET NO / N° RUE		STREET NAME / RUE	
CITY / VILLE		PROVINCE	POSTAL CODE / POSTAL
AREA CODE / IND. RÉG.		TELEPHONE	E-MAIL
DID YOU PURCHASE A SERVICE CONTRACT FOR THIS APPLIANCE? AVEZ-VOUS ACHETÉ UN CONTRAT DE SERVICE POUR CET APPAREIL ?		YES / OUI <input type="checkbox"/> NO / NON <input type="checkbox"/>	IF YES / SI OUI: EXPIRATION Y/A M D/J
NAME OF SELLING DEALER / NOM DU MARCHAND		MODEL / MODÈLE	
INSTALLATION DATE / DATE D'INSTALLATION Y/A M D/J		CORRESPONDENCE <input type="checkbox"/> ENGLISH CORRESPONDANCE <input type="checkbox"/> FRANÇAIS	SERIAL / SÉRIE
<input type="checkbox"/> I do not wish to receive any promotional offers regarding this product. <input type="checkbox"/> Je ne désire pas recevoir d'offres promotionnelles concernant ce produit.			

With the purchase of your new Monogram appliance, receive the assurance that if you ever need information or assistance from GE, we'll be there. All you have to do is call—toll-free!

GE Answer Center®

In the U.S.A.:
800.626.2000

Whatever your question about any Monogram major appliance, GE Answer Center® information service is available to help. Your call—and your question—will be answered promptly and courteously. And you can call any time. GE Answer Center® service is open 24 hours a day, Monday through Saturday.

OR

Visit our Website at: monogram.com

In Canada, call 1.800.561.3344.

In-Home Repair Service

In the U.S.A.:
800.444.1845

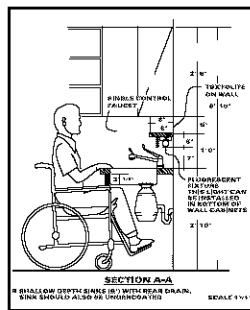
In Canada:
800.561.3344

If your Monogram appliance should ever require service, you can depend on Monogram Preferred Service. Simply call 800.444.1845, where our Monogram Preferred Service Specialists are available 7 a.m. – 10 p.m. ET Monday through Friday and 8 a.m. – 6 p.m. ET Saturday and Sunday to coordinate your service appointment.

In Canada: Monday to Friday, 7:00 a.m. to 8:00 p.m. and Saturday, 8:00 a.m. to 5:00 p.m. EDST.

For Customers With Special Needs...

In the U.S.A.:
800.626.2000



GE offers, free of charge, a brochure to assist in planning a barrier-free kitchen for persons with limited mobility.

Consumers with impaired hearing or speech who have access to a TDD or a conventional teletypewriter may call 800.TDD.GEAC (800.833.4322) to request information or service.

Service Contracts

In the U.S.A.:
800.626.2224

In Canada:
800.561.3344

You can have the secure feeling that GE Consumer Service will still be there after your warranty expires. Purchase a GE contract while your warranty is still in effect and you'll receive a substantial discount. With a multiple-year contract, you're assured of future service at today's prices.

Parts and Accessories

In the U.S.A.:
800.626.2002

In Canada:
800.561.3344

Individuals qualified to service their own appliances can have parts or accessories sent directly to their home. The GE parts system provides access to over 47,000 parts...and all GE Genuine Renewal Parts are fully warranted. VISA, MasterCard and Discover cards are accepted.

User maintenance instructions contained in this manual cover procedures intended to be performed by any user. Other servicing generally should be referred to qualified service personnel. Caution must be exercised, since improper servicing may cause unsafe operation.

YOUR MONOGRAM WALL OVEN WARRANTY

Staple sales slip or cancelled check here. Proof of original purchase date is needed to obtain service under warranty. Please have serial number and model number available when calling for service.

WHAT IS COVERED

From the Date of the Original Purchase

LIMITED ONE-YEAR WARRANTY

For one year from date of original purchase, we will provide, free of charge, parts and service labor in your home to repair or replace **any part of the oven** that fails because of a manufacturing defect.

.....
This warranty is extended to the original purchaser and any succeeding owner for products purchased for ordinary home use in the 48 mainland states, Hawaii, Washington, D.C. or Canada. If the product is located in an area where service by our Authorized Servicer is not available, you may be responsible for a trip charge or you may be required to bring the product to an Authorized Service location for service. In Alaska the warranty is the same except that you must pay to ship the product to the service shop or for the service technician's travel costs to your home.

All warranty service will be provided by our Factory Service Centers or by our authorized Customer Care® servicers during normal working hours.

Should your appliance need service, during warranty period or beyond, call 800.444.1845.

In Canada, call 1.800.561.3344.

WHAT IS NOT COVERED

- Service trips to your home to teach you how to use the product.
- Replacement of house fuses or resetting of circuit breakers.
- Damage to the product caused by accident, fire, floods or acts of God.
- Damage after delivery.
- Failure of the product if it is used for other than its intended purpose or used commercially.

- Improper installation, delivery or maintenance.

If you have an installation problem, contact your dealer or installer. You are responsible for providing adequate electrical, gas, exhausting and other connecting facilities as described in the Installation Instructions provided with the product.

- Incidental or consequential damage caused by possible defects with this appliance.
- Product not accessible to provide required service.

EXCLUSION OF IMPLIED WARRANTIES—Your sole and exclusive remedy is product repair as provided in this Limited Warranty. Any implied warranties, including the implied warranties of merchantability or fitness for a particular purpose, are limited to one year or the shortest period allowed by law.

Some states/provinces do not allow the exclusion or limitation of incidental or consequential damages, so the above limitation or exclusion may not apply to you. This warranty gives you specific legal rights, and you may also have other rights which vary from state to state/province to province. To know what your legal rights are in your state/province, consult your local or state/provincial consumer affairs office or your state's Attorney General.

Warrantor in U.S.A.: General Electric Company,
Louisville, KY 40225

Warrantor in Canada: Mabe Canada Inc.



GE Consumer & Industrial
Appliances
General Electric Company
Louisville, KY 40225
ge.com

Introduction

Votre nouveau four mural Monogram offre un style éloquent, une grande commodité et de la souplesse dans l'agencement de votre cuisine. Que vous le choisissiez pour la pureté de ses lignes, l'attention assidue pour le détail ou ces deux raisons, vous constaterez que le mariage exceptionnel de la forme et de la fonctionnalité de votre four mural Monogram vous apportera satisfaction pendant de nombreuses années.

Vote four mural Monogram a été conçu pour vous offrir la flexibilité voulue permettant de l'agencer à vos armoires. Son style élégant permet de l'intégrer en toute beauté à votre cuisine.

L'information des pages suivantes vous aidera à faire fonctionner et à entretenir correctement votre four mural.

Contenu

Entretien et nettoyage

Ampoules du four	98
Grilles	96
Lèche-frite et grille	95
Porte du four	97, 99
Sonde	97
Surfaces en acier inoxydable	99
Tableau de commande	99

Service à la clientèle

Carte d'enregistrement du produit	51–52
Consignes de sécurité	57–59
Garantie	104
Numéros de modèle et de série	56
Numéros de téléphone importants	103
Solutions de problèmes	100, 101

Four

Aide	89
Commandes	61
Conserver les aliments chauds	84–85
Convection	71–74
Cuisson	64
Cuisson et rôtissage minutés	65, 66
Cuisson et rôtissage par convection minutés	75–76
Fermentation	83
Four	60–63
Four autonettoyant	79–82
Gril	67, 68

Grilles	63
Minuterie de cuisine	78
Option de cuisson et de maintien de la température	87
Option de départ différé	88
Option de déshydratation	87
Option de réglage de deux températures	86
Option Sabbath	89
Papier d'aluminium	62, 67
Recettes préférées	77
Réglage des options	90–94
Activation/désactivation du signal sonore des touches	93
Arrêt automatique 12 heures	91
Conversion automatique de recettes	92
Couleur de l'affichage	92
Dissimulation de l'horloge	91
Horloge	90
Langue	92
Réglages par défaut	94
Sélection des degrés Fahrenheit ou Celsius	91
Signal de la minuterie	94
Signal de la minuterie de cuisine	94
Thermostat	90
Volume	93
Rôtissage	64
Sonde	69, 70, 73
Verrouillage des commandes	78

Comment retirer la pellicule d'expédition de protection et le ruban d'emballage

Pincez avec soin entre vos doigts un coin de la pellicule de protection pour l'expédition et détachez-la lentement de la surface de l'appareil. N'utilisez pas d'objets tranchants pour retirer la pellicule. Retirez toute la pellicule avant d'utiliser l'appareil pour la première fois.

Pour s'assurer de ne pas endommager le fini du produit, le meilleur moyen pour décoller du nouvel appareil l'adhésif du ruban d'emballage est d'appliquer du détergent liquide pour laver la vaisselle. Appliquez avec un chiffon doux et laissez tremper.

REMARQUE : *L'adhésif doit être retiré de toutes les pièces. Il ne pourra l'être s'il a été cuit en place.*

Information pour le client

Four mural

Avant d'utiliser votre four mural

Lisez attentivement ce manuel. L'information contenue dans ses pages vous aidera à faire fonctionner et à entretenir correctement votre four mural.

Gardez-le à portée de la main pour répondre à vos questions.

Si vous ne comprenez pas certains points ou si vous avez besoin d'aide, vous trouverez une liste de numéros de service à la clientèle sans frais à la section arrière de ce manuel.

OU

Visitez notre site Web à l'adresse suivante : **monogram.com**

Inscrivez les numéros de modèle et de série

Vous les trouverez sur une étiquette située sur la partie avant gauche de la garniture derrière la porte du four.

Remplissez et faites-nous parvenir la carte d'enregistrement du produit qui accompagne ce produit.

Avant d'envoyer la carte, veuillez inscrire les numéros ci-dessous :

Numéro de modèle

Numéro de série

Utilisez ces numéros pour toute correspondance ou tout appel de service au sujet de votre four mural.

Si vous avez reçu un four mural endommagé

Contactez immédiatement le détaillant (ou le fabricant) qui vous a vendu le four mural.

Gagnez du temps et économisez

Avant toute demande de service, consultez la section Solution de problèmes à l'arrière de ce manuel.

Vous y trouverez une liste des causes de problèmes de fonctionnement mineurs que vous pouvez corriger vous-même.

Si vous avez besoin de service d'entretien ou de réparation

Pour obtenir du service, reportez-vous aux pages du service à la clientèle à l'arrière de ce manuel.

Nous sommes fiers de notre service et nous tenons à votre satisfaction. Si pour quelque raison que ce soit vous n'êtes pas satisfait du service reçu, voici deux étapes à suivre pour obtenir de l'aide supplémentaire.

D'ABORD, contactez les personnes qui ont réparé votre appareil. Expliquez votre insatisfaction. Dans la plupart des cas, cette démarche résoudra le problème.

ENSUITE, si vous n'êtes toujours pas satisfait, écrivez tous les détails (sans oublier d'inscrire votre numéro de téléphone) au :

Manager, Customer Relations
GE Appliances
Appliance Park
Louisville, KY 40225

MESURES DE SÉCURITÉ IMPORTANTES

AVIS IMPORTANT EN MATIÈRE DE SÉCURITÉ

- **Le California Safe Drinking Water and Toxic Enforcement Act** exige que le gouverneur de Californie publie une liste de substances que l'on sait occasionner le cancer, des anomalies congénitales ou d'autres anomalies de reproduction, et exige que les entreprises avertissent leurs clients des dangers que leur font courir une exposition à ces substances.
 - **L'isolement en fibre de verre dans les fours auto-nettoyants émet un très petit montant de gaz carbonique pendant le cycle de nettoyage.** Vous pouvez réduire votre exposition à ce gaz en aérant, en ouvrant la fenêtre ou en utilisant un ventilateur ou une hotte d'aération.
 - **IMPORTANT :** Certains oiseaux sont extrêmement sensibles à la fumée produite pendant le programme d'autonettoyage de n'importe quel four. Placez les oiseaux dans une autre pièce bien aérée.
-

MESURES DE SÉCURITÉ

Pour utiliser des appareils électroménagers, vous devez suivre des précautions élémentaires de sécurité, en particulier :

- **Assurez-vous d'enlever tous les matériaux d'emballage du four** avant de le mettre en marche, pour éviter tout danger d'incendie ou de dommage dû à la fumée si ces matériaux d'emballage prennent feu.
- **N'utilisez cet appareil que pour l'usage auquel il est destiné**, comme expliqué dans le présent Manuel du propriétaire.
- **Assurez-vous que votre appareil est bien installé et mis à la terre** par un installateur qualifié, conformément aux directives d'installation fournies.
- **Assurez-vous que le four est bien installé dans une armoire solidement fixée à la charpente de la résidence.** Ne laissez personne grimper, s'asseoir ou monter sur la porte du four, ou s'y agripper.
- **Demandez à l'installateur de vous montrer l'emplacement du disjoncteur ou du fusible.** Identifiez-le pour pouvoir le trouver facilement.
- **Ne tentez pas de réparer ni de remplacer aucune pièce du four, à moins que cela ne soit recommandé dans le présent manuel.** Tout autre service d'entretien doit être assuré par un réparateur qualifié.
- **Apprenez aux enfants à ne pas jouer avec les commandes** ou toute autre pièce du four.
- **Ne laissez jamais la porte du four ouverte** lorsque vous ne surveillez pas l'appareil.
- **Gardez toujours les linges à vaisselle, les mitaines de four et autres articles en tissu à une distance sécuritaire de votre four.**
- **Pour votre sécurité, n'utilisez pas cet appareil pour réchauffer la pièce.**
- **Ne rangez pas de matériaux inflammables dans le four.**
- **Gardez toujours les ustensiles en plastique et en bois, de même que les aliments en conserve, à une distance sécuritaire de votre four.**
- **Gardez toujours les revêtements muraux combustibles, les rideaux et les tentures à une distance sécuritaire de votre four.**
- **NE PAS EMMAGASINEZ OU UTILISEZ DES MATÉRIELS COMBUSTIBLES, L'ESSENCE OU LES AUTRES VAPEURS ET LES LIQUIDES INFLAMMABLES À PROXIMITÉ DE CECI OU AUCUN AUTRE APPAREIL.**
- **Ne laissez pas de graisse ou autres matières inflammables s'accumuler dans le four ou à proximité de ce dernier.**
- **Ne tentez pas d'éteindre des feux de graisse avec de l'eau.** Ne soulevez jamais une casserole en flammes. Mettez tous les réglages en position off (arrêt).

Vous pouvez éteindre complètement les flammes en fermant la porte du four et en éteignant l'appareil, ou en utilisant un extincteur chimique à poudre ou à mousse.

MESURES DE SÉCURITÉ IMPORTANTES

MESURES DE SÉCURITÉ

- **N'utilisez pas de papier d'aluminium pour couvrir la sole du four, sauf de la façon indiquée dans le présent manuel.** Une utilisation inadéquate du papier d'aluminium peut présenter des risques de chocs électriques ou d'incendie.
- **Faites cuire la viande et la volaille à fond**—la température INTERNE de la viande doit être d'au moins 160 °F, et celle de la volaille d'au moins 180 °F. La cuisson à ces températures internes assure généralement une bonne protection contre les intoxications alimentaires.
- **Avant d'effectuer une réparation, COUPEZ TOUJOURS L'ALIMENTATION DU FOUR AU PANNEAU DE DISTRIBUTION EN ENLEVANT LE FUSIBLE OU EN DÉCLENCHANT LE DISJONCTEUR.**
- **Ne laissez pas les enfants sans surveillance**— Il ne faut jamais laisser les enfants seuls ou sans surveillance près de l'appareil, lorsque celui-ci fonctionne. On doit également leur interdire de grimper ou de s'asseoir sur l'appareil.
- **Ne touchez pas aux éléments chauffants, ni aux parois du four.** Ces surfaces peuvent être suffisamment chaudes pour causer des brûlures, même si elles ne sont pas rouges. Pendant et après l'utilisation, faites en sorte que vos vêtements et autres matériaux inflammables ne viennent pas en contact avec les parois du four. Laissez-les d'abord refroidir.

Les surfaces susceptibles de devenir chaudes comprennent notamment l'évent du four et les surfaces qui l'entourent, les aspérités autour de la porte du four, la surface périphérique du hublot et les moulures métalliques au-dessus de la porte.

N'oubliez pas : Les parois du four peuvent être chaudes lorsque vous ouvrez la porte.

- **ATTENTION : NE RANGEZ PAS DES ARTICLES QUI PRÉSENTENT UN INTÉRÊT POUR LES ENFANTS, DANS LES ARMOIRES SE TROUVANT AU-DESSUS D'UN FOUR CAR CEUX-CI POURRAIENT GRIMPER SUR L'APPAREIL POUR LES ATTEINDRE ET RISQUERAIENT DE SE BLESSER.**
- **Ne portez jamais de vêtements amples lorsque vous utilisez cet appareil.** Faites attention lorsque vous prenez des articles rangés dans les armoires au-dessus du four. Les tissus inflammables peuvent prendre feu au contact des surfaces chaudes et causer de graves brûlures.
- **N'utilisez que des poignées ou des mitaines de four sèches**—les poignées ou mitaines de four humides ou mouillées peuvent causer des brûlures de vapeur. Ne laissez pas les poignées venir en contact avec les éléments chauds. N'utilisez pas de serviette ou autre objet encombrant en tissu au lieu de mitaines de four.
- **Assurez-vous que l'évent du four n'est jamais obstrué.**
- **Ne laissez pas s'accumuler de dépôts graisseux dans le four.**
- **Ne vous tenez pas trop près du four lorsque vous ouvrez la porte.** L'air chaud et la vapeur qui s'en échappent peuvent vous brûler les mains, le visage et les yeux.
- **Après le grillage, sortez toujours la lèchefrite du four et nettoyez-la.** La graisse qui s'est accumulée dans la lèchefrite pourrait prendre feu la prochaine fois que vous utiliserez le four.
- **De grandes égratignures ou des impacts sur la surface vitrée des portes peuvent entraîner le bris du verre.**
- **Ne laissez jamais de pots à graisse ou de boîtes de conserve contenant des matières grasses à proximité de votre four.**

MESURES DE SÉCURITÉ

- **Les enfants en marchette ou les enfants qui rampent peuvent être attirés par la poignée ronde de porte du four et peuvent la saisir, et ainsi ouvrir la porte.** Cela peut occasionner une ouverture de la porte sur l'enfant ou des brûlures sérieuses si le four est en fonctionnement et chaud.
- **Ne faites pas chauffer de récipient fermé.** L'accumulation de pression dans le récipient peut le faire éclater, causant ainsi des blessures.
- **Placez les clayettes à la hauteur désirée lorsque le four est froid.** Si vous devez les manipuler lorsque le four est chaud, évitez que vos mitaines de four entrent en contact avec les éléments du four.
- **Il est plus pratique de soulever des plats lourds lorsque la grille est entièrement ouverte.** Vous éviterez ainsi de vous brûler en touchant aux parois de la porte ou du four.
- **Lorsque vous utilisez des sachets pour la cuisson ou le rôtissage,** suivez les directives du fabricant.
- **Ne faites pas sécher de journaux dans le four.** S'ils surchauffent, ils risquent de prendre feu.
- **N'entreposez pas d'articles dans votre four.** Ils pourraient prendre feu.
- **Ne laissez pas de produits en papier, d'ustensiles de cuisson ou d'aliments dans le four lorsqu'il n'est pas utilisé.**
- **Ne laissez personne grimper ou monter sur la porte du four, ou s'y agripper.** Cela pourrait endommager l'appareil ou causer de graves blessures.

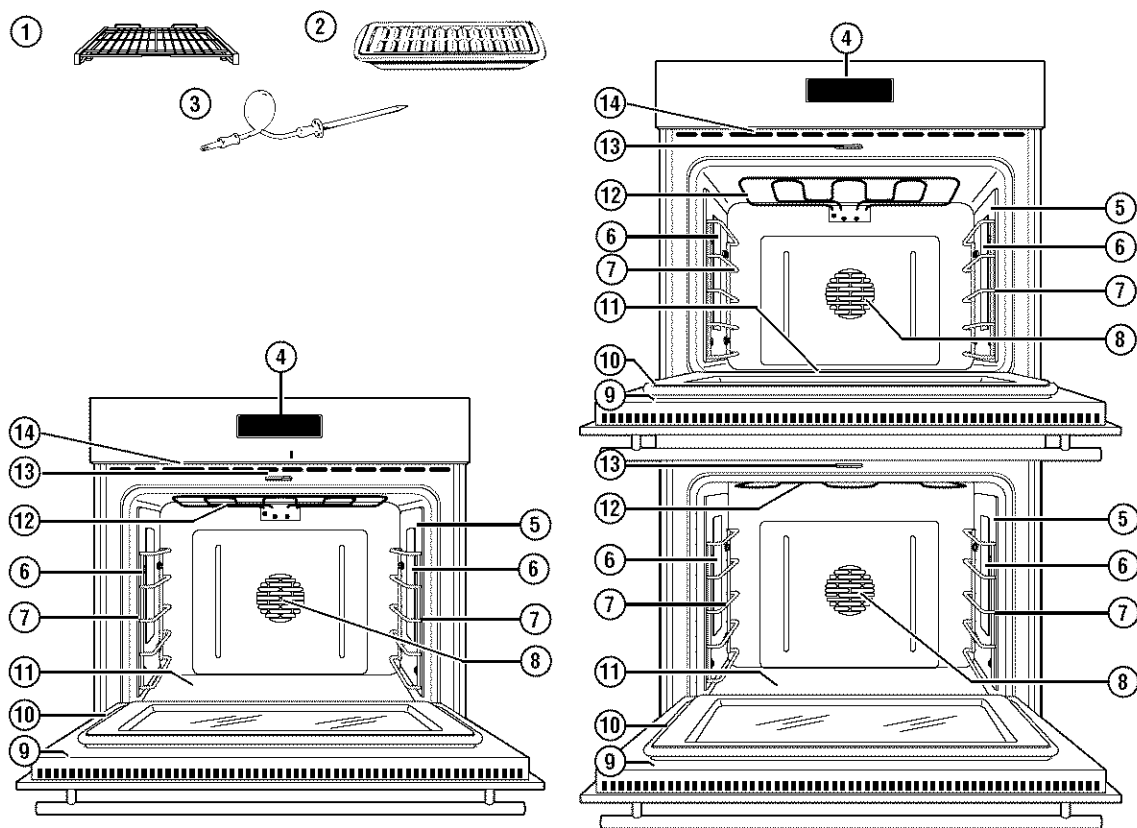
FOUR AUTONETTOYANT

- **Ne nettoyez pas le joint de la porte.** Ce joint est essentiel à une bonne étanchéité. Il faut éviter de le récurer, de l'endommager ou de le déplacer.
- **N'utilisez pas de produits nettoyants commerciaux pour le four.** Il ne faut jamais utiliser des produits nettoyants commerciaux ou des enduits protecteurs dans le four ou près des pièces du four. Les résidus de ces produits nettoyants endommageront l'intérieur du four lorsque vous effectuerez un autonettoyage.
- **Ne nettoyez que les pièces indiquées dans le présent manuel d'utilisation.**
- **Avant de commencer l'autonettoyage,** enlevez la lèchefrite, la grille et autres ustensiles de cuisine.
- **Avant de commencer l'autonettoyage, essuyez les aliments renversés.**
- **Si le programme d'autonettoyage fonctionne mal,** éteignez le four et coupez l'alimentation électrique. Faites réparer l'appareil par un technicien qualifié.
- **Vous pouvez nettoyer les clayettes du four pendant le cycle d'auto-nettoyage.**

CONSERVEZ CES DIRECTIVES

Renseignements descriptifs

(les caractéristiques n'apparaissent pas sur tous les modèles. L'aspect peut varier.)

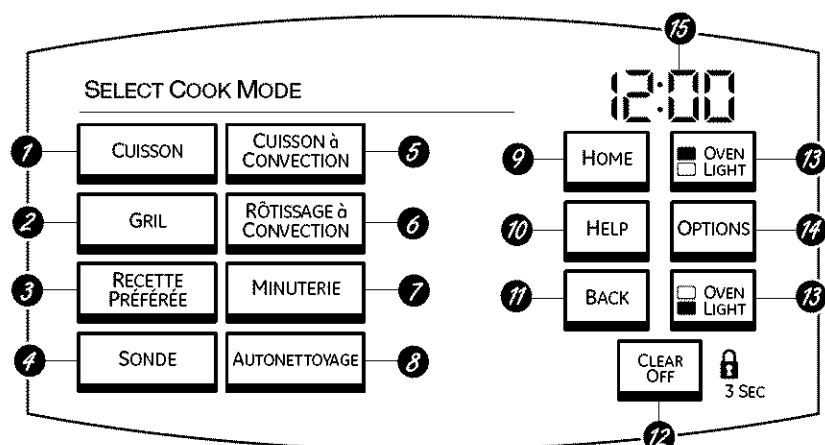


Index des caractéristiques	Page
1 Grilles de four à extension complète (3 par four)	62, 63, 64, 67, 71, 72, 82, 83, 84, 85, 86, 87, 96, 98
2 Lèche-frite et grille	67, 72, 95
3 Sonde	67, 69, 70, 73, 79, 97
4 Afficheur	61
5 Sortie de la sonde	69, 73
6 Ampoules de four à halogène	98
7 Supports à grille de four (5 positions)	63, 82
8 Ventilateur de convection (fonctionne durant la cuisson à convection et le préchauffage)	64-66, 70-73, 75, 76, 84, 87, 88
9 Porte de four amovible	97, 99
10 Joint de porte de four	99
11 Élément de cuisson (sous le plancher du four)	95
12 Élément chauffant pour griller	67, 71, 95
13 Loquet de porte du four automatique	80, 81
14 Événement du four	58, 62

(Dans le présent manuel, les caractéristiques et l'apparence peuvent être différentes de celles de votre modèle.)

Écran tactile

Appuyez sur les illustrations de l'affichage interactif pour utiliser les fonctions du four.



Commande du four double montrée.

Écran tactile, touches et affichage de l'heure du jour

REMARQUE : Si le four est inactif pendant 10 minutes, l'écran tactile passera au mode veille et l'écran s'assombriera. Appuyez sur l'écran tactile ou n'importe quelle touche pour « réveiller » l'affichage. L'écran peut aussi se « réveiller » lorsqu'il sent que vous vous approchez (ou votre main s'approche) de l'écran tactile. L'écran est sensible et peut se réveiller lorsqu'on allume la lumière ou suite à des mouvements de personnes ou d'objets à proximité. L'écran devrait retourner au mode standby après 10 minutes si aucune interaction ne survient.

Écran tactile

- 1 **CUISSON.** Appuyez sur cette touche pour choisir la fonction de cuisson.
- 2 **GRIL.** Appuyez sur cette touche pour sélectionner la fonction de gril (GRIL À TEMP ÉLEVÉE ou GRIL À TEMP BAS) ou le GUIDE DE GRILLAGE.
- 3 **RECETTE PRÉFÉRÉE.** Appuyez sur cette touche pour utiliser, créer, renommer, modifier ou supprimer une recette préférée.
- 4 **SONDE.** Appuyez sur cette touche lorsque vous utilisez la sonde pour cuire des aliments.
- 5 **CUISSON À CONVECTION.** Appuyez sur cette touche pour choisir la fonction de cuisson par convection.
- 6 **RÔTISSAGE À CONVECTION.** Appuyez sur cette touche pour choisir la fonction de rôtissage par convection.
- 7 **MINUTERIE.** Appuyez sur cette touche pour choisir la fonction de minuterie.
- 8 **AUTONETTOYAGE.** Appuyez sur cette touche pour choisir la fonction d'autonettoyage. Consultez la section *Utilisation du four autonettoyant*.

Touches

- 9 **TOUCHE HOME (ACCUEIL).** Appuyez sur cette touche pour revenir à l'écran « SÉLECTIONNER LE MODE DE CUISSON »

(Accueil). Cette touche n'annule pas les réglages de cuisson ou d'autonettoyage.

- 10 **TOUCHE HELP (AIDE).** Appuyez sur cette touche pour en savoir plus sur les fonctions du four.
- 11 **TOUCHE BACK (RET.).** Appuyez sur cette touche pour revenir à l'écran précédent.
- 12 **TOUCHE CLEAR/OFF (EFFACER/ARRÊT).** Appuyez sur cette touche pour annuler TOUTES les opérations du four à l'exception de l'horloge et de la minuterie.
- 13 **TOUCHE(S) OVEN LIGHT ON/OFF (ALLUMER/ÉTEINDRE LA LUMIÈRE DU FOUR).** Appuyez sur cette touche pour allumer ou éteindre la (ou les) lumière du four.
- 14 **TOUCHE OPTIONS.** Appuyez pour choisir DEUX TEMP, DÉPART DIFFÉRÉ, FERMENTATION, DÉSHYDRATER, CHAUD, CUISSON ET MAINTIEN, SABBAT ou RÉGLAGES.

Affichage

- 15 **Affichage.** Affiche l'heure du jour.

Codes d'erreur

«F-et un nombre» clignotent à l'écran et des bips se font entendre pour indiquer un code d'erreur. Appuyez sur **CLEAR/OFF (EFFACER/ARRÊT)**. Laissez le four refroidir pendant une heure. Remettez le four en marche. Si le code d'erreur est de nouveau affiché, coupez l'alimentation électrique et appelez un réparateur.

S'il y a une panne de courant:

Si vous aviez réglé une fonction minutée sur votre four au moment où la panne de courant s'est produite, il faut régler à nouveau toutes les fonctions programmées, ainsi que l'horloge.

L'heure clignote à l'écran après une panne de courant.

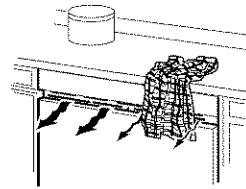
Conseils de cuisson

Four mural

Écoulement d'air du four

Un ventilateur de refroidissement interne fonctionne durant tous les modes de cuisson du four. L'air chaud à l'intérieur du four est évacué par les événements situés entre la porte et le tableau de commande.

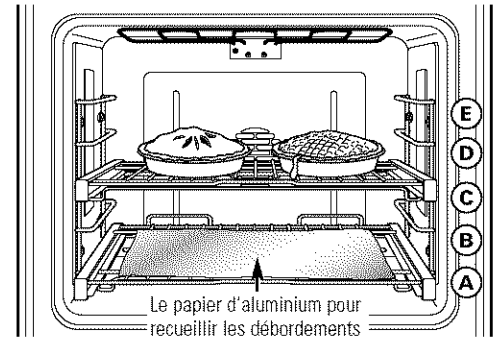
Dans le cas des installations sous le comptoir, ne placez pas de serviettes sur le devant du four, car cela viendrait obstruer l'écoulement d'air des événements.



Le papier d'aluminium

Ne déposez jamais une feuille de papier d'aluminium sur toute la surface d'une grille, car cela affectera la circulation de l'air chaud et donnera une cuisson inadéquate. Vous pouvez placer une petite feuille de papier d'aluminium sur une grille placée à quelques pouces au-dessous de l'aliment que vous faites cuire afin de recueillir les débordements.

REMARQUE : vous n'utiliserez généralement qu'une ou deux grilles pour la cuisson générale. Vous utiliserez trois grilles uniquement lorsque vous faites la cuisson sur plusieurs grilles. Retirez la troisième grille du four lorsqu'elle n'est pas utilisée.



Positionnement des casseroles

Pour une cuisson uniforme et un brunissage correct, il doit y avoir suffisamment d'espace pour la circulation d'air dans le four. Les résultats de cuisson seront meilleurs si les plats sont centrés autant que possible dans le four plutôt que d'être placés à l'avant ou à l'arrière du four.

Les plats ne doivent ni se toucher, ni toucher aux parois du four. Prévoyez un espacement de 2,5 à 3,75 cm (1 à 1,5 po) entre les plats ainsi qu'avec l'arrière, la porte et les côtés du four.

Si vous devez utiliser deux grilles, utilisez les positions A et C, B et D ou A et D et décalez les plats de manière à ce qu'ils ne soient pas directement l'un au-dessus de l'autre.

Moules de cuisson/ plaques à pâtisserie

Utilisez les moules de cuisson appropriés. Le type de fini du moule détermine la quantité de brunissage qui aura lieu.

- Les moules de couleur foncée, rugueux ou ternis absorbent la chaleur et il en résultera une croûte plus brunie et croustillante. Utilisez ce type de moule pour les tartes.

- Les moules brillants, de couleur claire et lisses reflètent la chaleur et il en résultera un brunissage plus clair et plus délicat. C'est le type de moule ou de plaque à pâtisserie qu'il faut utiliser pour les gâteaux et les biscuits.

- Les plats de cuisson en verre absorbent aussi la chaleur. Pour les plats de cuisson en verre, il peut être nécessaire de réduire la température de cuisson de 25 °F (14 °C).

Préchauffage

Laissez le four préchauffer avant d'y placer les aliments. Pour de meilleurs résultats, il est nécessaire de préchauffer le four lors de la préparation de gâteaux, de biscuits, de pâtisseries et de pain.

Pour préchauffer, réglez le four à la bonne température. L'indicateur lumineux PREHEAT (préchauffage) s'allume et l'afficheur de température indique 100 °F (38 °C). (La température affichée commence à changer une fois que la température du four atteint 100 °F

[38 °C.] Le ventilateur à convection se met aussi en marche lors du préchauffage. La commande émet un signal sonore (bip) une fois que le four est préchauffé, ce qui prend environ 10 à 15 minutes. L'indicateur lumineux PREHEAT (préchauffage) s'éteint et l'afficheur indique la température de réglage.

Les aliments peuvent être placés dans le four une fois que le voyant lumineux PREHEAT (préchauffage) s'est éteint.

Le type de margarine utilisée affecte la cuisson!

La plupart des recettes nécessitant une cuisson exigent l'utilisation de produits à forte teneur en matières grasses, comme du beurre ou de la margarine (80 % de matières grasses). Si vous diminuez la quantité de gras, vous pourriez ne pas obtenir les mêmes résultats qu'avec un produit à plus forte teneur en matières grasses.

Vous pouvez rater votre recette de gâteau, de tarte, de pâtisseries, de biscuits ou de friandises lorsque vous utilisez de la graisse tartinable à faible teneur en matières grasses. Plus la teneur en matières grasses d'une graisse tartinable est faible, plus la différence est appréciable.

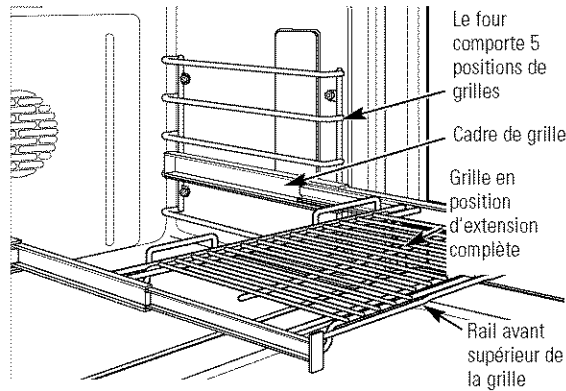
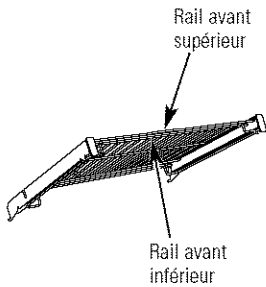
En vertu des normes fédérales, les produits étiquetés comme étant de la «margarine» doivent contenir au moins 80 % de matières grasses. Par contre, les graisses tartinables à faible teneur en matières grasses contiennent moins de gras et plus d'eau. La forte teneur en eau de ces graisses tartinables affecte la texture et la saveur des produits de boulangerie. Pour obtenir de bons résultats avec vos anciennes recettes préférées, utilisez de la margarine, du beurre ou de la graisse à tartiner contenant au moins 70 % d'huile végétale.

Grilles de four à extension complète

Afin d'éviter de vous brûler, placez les grilles à la bonne position avant de mettre le four en marche.

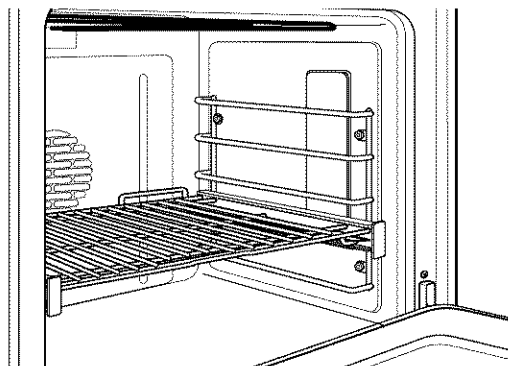
La position de grille correcte dépend du type d'aliment et du brunissage désiré.

Le cadre des grilles s'adapte aux supports à grille des deux côtés. Une fois le cadre de grille en place, utilisez le rail avant supérieur de la grille pour tirer celle-ci en position d'extension complète, lorsque vous placez ou retirez un plat de cuisson.

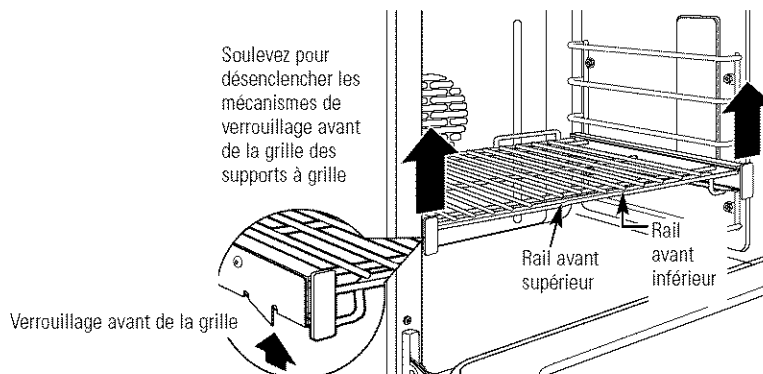


Pour enlever une grille :

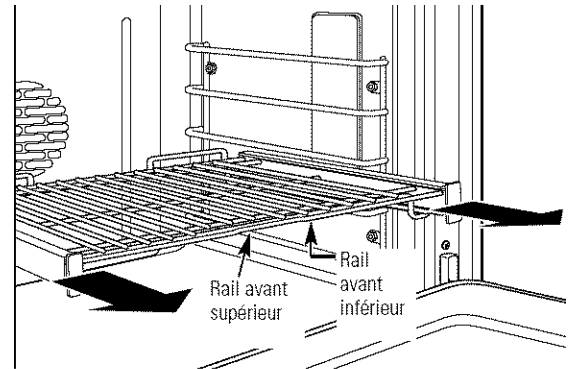
1. Assurez-vous que la grille est bien au fond du four.



2. Saisissez la grille à la fois par son rail avant supérieur et son rail avant inférieur et soulevez-la vers le haut de manière à désenclencher les mécanismes de verrouillage avant de la grille des supports à grille.

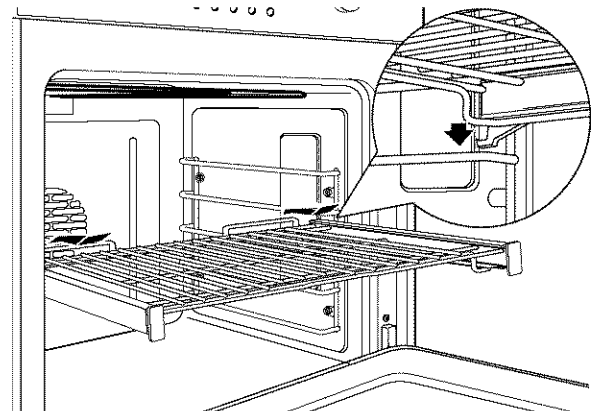


3. Alors que vous tenez fermement les rails avant supérieur et inférieur, tirez la grille vers l'avant et retirez-la du four.

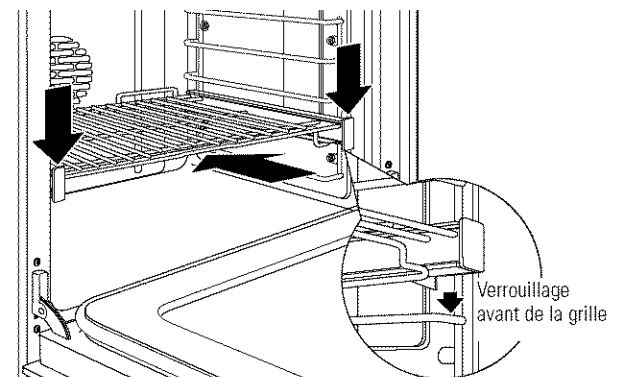


Pour remettre une grille en place :

1. Placez les mécanismes de verrouillage arrière par dessus et sur les supports à grille (cinq positions de grille sont possibles y compris la position supérieure).



2. Glissez la grille complètement en place jusqu'à ce que les mécanismes de verrouillage arrière de la grille soient bien fixés sur les supports arrière de grille et poussez les mécanismes de verrouillage avant de la grille sur les supports avant de grille.



Glissez la grille complètement vers l'intérieur et poussez vers le bas de manière à enclencher les mécanismes de verrouillage avant sur les supports avant de la grille

Comment régler une cuisson ou un rôtissage

- 1 Appuyez sur la touche **CUISSON**.
- 2 **Sur les modèles à four double seulement**, appuyez sur **FOUR SUPÉR.** ou **FOUR INFÉR.** pour choisir le four.
- 3 Appuyez sur les touches numériques pour régler la température voulue.
- 4 Appuyez sur la touche **ENTRER**.
- 5 Appuyez sur la touche **DÉPART**.

Le ventilateur de convection s'allumera durant le préchauffage. Une signal sonore indiquera que le préchauffage du four est terminé ; cela peut prendre environ 10 minutes. L'écran affichera le réglage de température.

Les aliments doivent être mis au four au signal sonore.

Pour régler le deuxième four (**sur les modèles à four double seulement**), sélectionnez **ENFONCER POUR RÉGLER LE FOUR INFÉRIEUR** ou **ENFONCER POUR RÉGLER LE FOUR SUPÉRIEUR** selon les besoins, puis suivez les étapes ci-dessus.

Le réglage de température peut être modifié en appuyant sur **CHANGER LA DURÉE-TEMP.**

Les réglages peuvent être annulés en appuyant sur **ANNULER**.

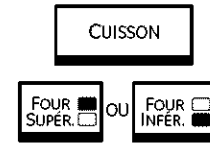
Le réglage de la minuterie s'effectue en appuyant sur **RÉGLER LA MINUTERIE**. Consultez la section *Minuterie*.

- 6 Vérifiez la nourriture au temps minimum indiqué dans la recette. Poursuivez la cuisson si nécessaire.
- 7 Appuyez sur **ANNULER** une fois la cuisson terminée.

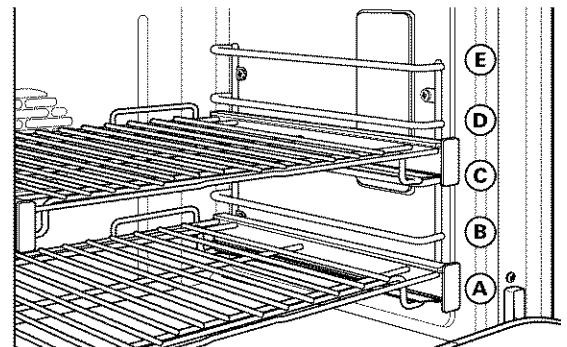
NOTE : Un ventilateur peut se mettre automatiquement en marche pour refroidir les pièces internes. Cette situation est tout à fait normale. Le ventilateur peut continuer de fonctionner même lorsque le four est éteint.

Type d'aliment	Position de la grille
Gâteau des anges	A
Biscuits ou muffins	B ou C
Biscuits ou petits gâteaux	B ou C
Carrés au chocolat	B ou C
Gâteaux à étages	B ou C
Gâteaux moulés et quatre-quarts	A ou B
Tartes et fonds de tarte	B ou C
Une seule tarte	B ou C
Tartes congelées	B ou C (sur plaque à pâtisserie)
Casseroles	B ou C

Si vous cuisez en même temps quatre étages de gâteau, placez deux étages sur la grille B et deux étages sur la grille D. Distribuez les étages de gâteau sur les grilles de manière à ce qu'aucun ne soit directement au-dessus d'un autre.



Sur les modèles à four double seulement.



Le four possède 5 positions de grille. Reportez-vous à la section *Grilles de four à extension complète* pour les instructions sur l'utilisation, l'enlèvement et la remise en place des grilles.

Cuisson à minuterie (mise en marche immédiate et arrêt automatique)

Sur les modèles à four double, vous pouvez utiliser la cuisson minutée dans un four tout en procédant à l'autonettoyage dans l'autre, ou encore la cuisson minutée dans les deux fours simultanément.

NOTE : Ne laissez jamais des aliments comme des produits laitiers, du poisson, de la farce, de la volaille et du porc reposer pendant plus d'une heure avant ou après la cuisson. Lorsque ces aliments sont laissés à la température de la pièce, cela favorise la prolifération de bactéries nocives.

Le four se met en marche immédiatement et fonctionne pendant la durée réglée. À la fin de la durée de cuisson, le four s'éteint automatiquement.

Assurez-vous que l'horloge affiche la bonne heure.

- 1 Appuyez sur la touche **CUISSON**.
- 2 **Sur les modèles à four double seulement**, appuyez sur **FOUR SUPÉR.** ou **FOUR INFÉR.** pour choisir le four.
- 3 Appuyez sur les touches numériques pour régler la température voulue.
- 4 Appuyez sur la touche **ENTRER**.
- 5 Appuyez sur les touches numériques pour régler la durée de cuisson désirée.
- 6 Appuyez sur la touche **ENTRER**.
- 7 Deux options de départ immédiat et d'arrêt automatique de la cuisson sont disponibles :

- **DÉPART APRÈS PRÉCHAUFFAGE** – Appuyez sur cette touche pour préchauffer le four.

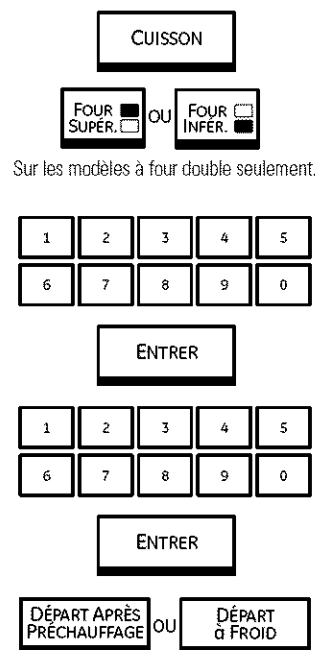
Le ventilateur de convection s'allumera durant le préchauffage. Une signal sonore indiquera que le préchauffage du four est terminé; cela peut prendre environ 10 minutes. L'écran affichera le réglage de température.

Au signal sonore, placez les aliments dans le four.

La cuisson minutée ne démarrera qu'une fois le préchauffage terminé et la touche **DÉPART** enfoncée.

- **DÉPART à FROID** – Appuyez sur cette touche pour démarrer le four immédiatement et cuire la nourriture sans préchauffage. Le ventilateur de convection se mettra en marche. Le décompte de la durée de cuisson commence aussi immédiatement.

Le four va démarrer et poursuivre la cuisson pendant la période programmée, puis il s'arrêtera automatiquement, sauf si la fonction Cuisson et maintien a été sélectionnée. Consultez la section *Option cuisson et maintien*.



Pour régler le deuxième four (**sur les modèles à four double seulement**), sélectionnez **ENFONCER POUR RÉGLER LE FOUR INFÉRIEUR** ou **ENFONCER POUR RÉGLER LE FOUR SUPÉRIEUR** selon les besoins, puis suivez les étapes ci-dessus.

Le réglage de température peut être modifié en appuyant sur la touche **CHANGER LA DURÉE-TEMP** du four approprié.

Les réglages peuvent être annulés en appuyant sur la touche **ANNULER** du four approprié.

Le réglage de la minuterie s'effectue en appuyant sur **RÉGLER LA MINUTERIE**. Consultez la section *Minuterie*.

Une fois la cuisson terminée, le four émettra un signal sonore et le message « TEMPS SUPP. » s'affichera pendant cinq minutes. Vérifiez le degré de cuisson de la nourriture. Si du temps de cuisson supplémentaire est requis, appuyez sur la touche **TEMPS SUPP.** et entrez du temps de cuisson supplémentaire. Si cette fonction n'est pas sélectionnée, l'écran s'effacera automatiquement au bout de cinq minutes.

Cuisson à minuterie (mise en marche différée et arrêt automatique)

Vous pouvez programmer la commande du four pour que le four se mette en marche à une heure précise, fonctionne pendant une durée pré-déterminée, puis s'éteigne automatiquement. Consultez aussi la section *Départ différé*.

Assurez-vous que l'horloge affiche la bonne heure.

- 1 Appuyez sur **CUISSON**.
- 2 **Sur les modèles à four double seulement**, appuyez sur **FOUR SUPÉR.** ou **FOUR INFÉR.** pour choisir le four.
- 3 Appuyez sur les touches numériques pour régler la température voulue.
- 4 Appuyez sur **ENTRER**.
- 5 Appuyez sur les touches numériques pour régler la durée de cuisson désirée.
- 6 Appuyez sur **ENTRER**.
- 7 Appuyez sur **AJOUTER OPTION CUISSON AU FOUR**.
- 8 Appuyez sur **DÉPART DIFFÉRÉ**.
- 9 Deux options de réglage de départ différé sont disponibles :
 - **DÉBUT DE LA CUISSON** – Appuyez sur la touche puis servez-vous des touches numérotées pour entrer le délai qui précédera le début de la cuisson. Appuyez sur **ENTRER**. Par exemple, si vous souhaitez que la cuisson débute dans 2 heures, entrez **2, 0 et 0**.
 - **FIN DE LA CUISSON** – Appuyez sur la touche puis servez-vous des touches numérotées pour entrer la période totale au terme de laquelle la cuisson prendra fin. Appuyez sur **ENTRER**. Par exemple, si votre temps de cuisson est de 2 heures et que vous souhaitez servir le repas dans 5 heures et que vous souhaitez servir le repas dans 5 heures, entrez **5, 0 et 0** et le four démarrera dans 3 heures.
- 10 Deux options de départ sont disponibles une fois le délai du départ différé écoulé :
 - **DÉPART APRÈS PRÉCHAUFFAGE** – Appuyez sur la touche pour choisir le préchauffage. Une fois le délai du départ différé écoulé, le four s'allumera et le préchauffage commencera. Le ventilateur de convection se mettra en marche durant le préchauffage. Une signal sonore indiquera que le préchauffage du four est terminé ; cela peut prendre environ 10 à 15 minutes. L'écran affichera le réglage de température.
 - **DÉPART À FROID** – Appuyez sur cette touche pour que le four démarre immédiatement (sans préchauffage) une fois le délai de départ différé écoulé. Le ventilateur de convection se mettra en marche.

Une fois le délai du départ différé écoulé, le four s'allumera et le préchauffage commencera.

Le ventilateur de convection se mettra en marche durant le préchauffage. Une signal sonore indiquera que le préchauffage du four est terminé ; cela peut prendre environ 10 à 15 minutes. L'écran affichera le réglage de température.

Appuyez sur cette touche pour que le four démarre immédiatement (sans préchauffage) une fois le délai de départ différé écoulé. Le ventilateur de convection se mettra en marche.

Pour régler le deuxième four (**sur les modèles à four double seulement**), sélectionnez **ENFONCER POUR RÉGLER LE FOUR INFÉRIEUR** ou **ENFONCER POUR RÉGLER LE FOUR SUPÉRIEUR** selon les besoins, puis suivez les étapes ci-dessus.

CUISSON

FOUR SUPÉR. OU FOUR INFÉR.

Sur les modèles à four double seulement.

1	2	3	4	5
6	7	8	9	0

ENTRER

1	2	3	4	5
6	7	8	9	0

ENTRER

AJOUTER OPTION CUISSON AU FOUR

DÉPART DIFFÉRÉ

DÉBUT DE LA CUISSON OU FIN DE LA CUISSON

1	2	3	4	5
6	7	8	9	0

DÉPART APRÈS PRÉCHAUFFAGE OU DÉPART À FROID

Le réglage de température peut être modifié en appuyant sur la touche **CHANGER LA DURÉE-TEMP** du four approprié.

Les réglages peuvent être annulés en appuyant sur la touche **ANNULER** du four approprié.

Le réglage de la minuterie s'effectue en appuyant sur **RÉGLER LA MINUTERIE**. Consultez la section *Minuterie*.

Une fois le délai de départ différé écoulé, le four va démarrer et poursuivre la cuisson pendant la période programmée, puis il s'arrêtera automatiquement, sauf si la fonction Cuisson et maintien a été sélectionnée. Consultez la section *Cuisson et maintien*.

Une fois la cuisson terminée, le four émettra un signal sonore et le message « TEMPS SUPP. » s'affichera pendant cinq minutes. Vérifiez le degré de cuisson de la nourriture. Si du temps de cuisson supplémentaire est requis, appuyez sur la touche **TEMPS SUPP.** et entrez du temps de cuisson supplémentaire. Si cette fonction n'est pas sélectionnée, l'écran s'effacera automatiquement au bout de cinq minutes.

Comment régler un grillage dans votre four

Fermez la porte. **Faites toujours vos grillades la porte fermée.**

- 1 Appuyez sur **GRIL**.
- 2 Placez la nourriture sur une grille de rôtissage dans une lèche-frite.
- 3 **Sur les modèles à four double seulement**, appuyez sur **FOUR SUPÉR.** ou **FOUR INFÉR.** pour choisir le four.
- 4 Suivez les suggestions du *Guide de grillage* concernant la position de la grille.

La taille, le poids, l'épaisseur, la température de départ et vos préférences de cuisson influencent la durée de grillage. Ce guide est basé sur des viandes à température de réfrigération.

- 5 Appuyez sur **GRIL à TEMP ÉLEVÉE** ou **GRIL à TEMP BAS**.
- 6 Appuyez sur **DÉPART**.

REMARQUE : Un ventilateur de refroidissement passera automatiquement par des cycles de marche-arrêt pour refroidir les pièces internes. Ce phénomène est normal et le ventilateur peut continuer à fonctionner même après l'extinction du four.

Le gril ne nécessite pas de préchauffage dans la plupart des cas. Cependant, les aliments qui cuisent rapidement, comme les fines lanières de viande ou de poisson, peuvent nécessiter une brève période de préchauffage de 2 à 3 minutes pour s'assurer de leur brunissement lorsque la cuisson sera terminée.

Tournez les aliments une seule fois lors du grillage.

REMARQUE : Le rôtissage ne fonctionnera pas si la sonde est branchée. Ne laissez jamais la sonde à l'intérieur du four durant un cycle de grillage.

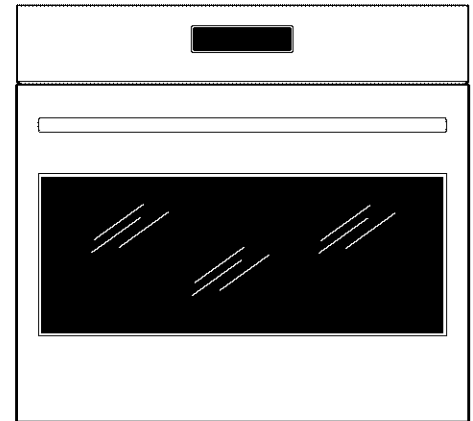
Pour régler le deuxième four, sélectionnez **ENFONCER POUR RÉGLER LE FOUR INFÉRIEUR** ou **ENFONCER POUR RÉGLER LE FOUR SUPÉRIEUR** selon les besoins, puis suivez les étapes ci-dessus.

Le réglage de température peut être modifié en appuyant sur **CHANGER LA DURÉE-TEMP.**

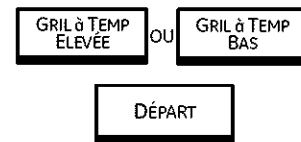
Les réglages peuvent être annulés en appuyant sur **ANNULER.**

Le réglage de la minuterie s'effectue en appuyant sur **RÉGLER LA MINUTERIE.** Consultez la section *Minuterie.*

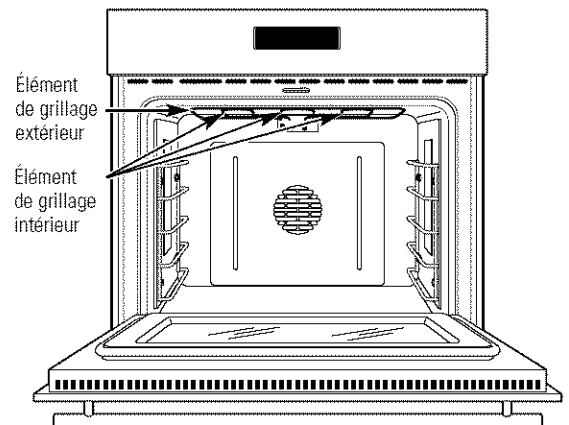
- 7 Lorsque le rôtissage est terminé, appuyez sur **ANNULER.**



Fermez la porte. **Fermez toujours la porte lorsque vous cuisinez au grilloir.**

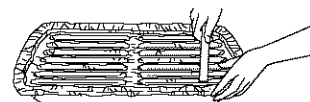


Si votre four est alimenté par un courant de 208 volts, vous pouvez faire griller les biftecks saignants en faisant préchauffer le four et en plaçant la grille du four un cran plus haut.



Papier d'aluminium

Vous pouvez utiliser du papier d'aluminium comme doublure pour la lèche-frite et sa grille. Par contre, vous devez placer le papier bien ajusté sur la grille et découper des fentes semblables à celles de la grille.



Grillage

Four mural

Guide de grillage

La taille, le poids, la grosseur, température de départ et vos préférences affectera le temps de grill. Ce guide est basé sur les viandes à température de réfrigérateur.

Aliment	Quantité et (ou) épaisseur	Hauteur de la grille	Premier côté (min.)	Deuxième côté (min.)	Commentaires
Boeuf haché Bien cuit	1/2 à 3/4 po (1,3 à 1,9 cm) d'épaisseur	D	9-11	3-4	Espacez uniformément.
Biftecks Saignant † À point Bien cuit	3/4 à 1 po (1,9 à 2,5 cm) de épaisseur	D D C	8-10 9-11 12-14	3-5 3-5 3-5	Incisez le gras aux bords.
Saignant † À point Bien cuit	Env. 1½ po (3,8 cm) d'épaisseur	C C C	22-24 24-26 28-30	4-6 3-5 5-7	
Poulet	Poitrine de poulet (avec os) Poitrine de poulet (désossée)	C B	25-35 24-26	10-15 9-11	Grillez peau ver le bas d'abord.
Queues de homard	4 oz. (0,11 kg)	C	7-9	Ne pas retourner.	Coupez à travers la coquille. Ouvrez.
Poisson	Filets de 1/4 à 1/2 po (0,6 à 1,3 cm) Filets d'épaisseur de 1/2 po (1,3 cm)	D D	7-9 9-12	Ne pas retourner.	
Tranches de jambon	1/4 à 1/2 po (0,6 à 1,3 cm) d'épaisseur (tout cuit)	D	4-6	2-3	
Côtelettes de porc Bien cuit	1/2 po (1,3 cm) d'épaisseur 1 po (2,5 cm) d'épaisseur	D C	9-11 18-20	6-8 4-6	Incisez le gras aux bords.
Côtelettes d'agneau À point Bien cuit	1 po (2,5 cm) d'épaisseur	C C	8-10 9-11	6-8 7-9	Incisez le gras aux bords.
À point Bien cuit	1½ po (3,8 cm) d'épaisseur	C C	14-16 15-17	5-7 6-10	
Pain à l'ail Grillade min.		C	2-3	N/D	

† Le ministère de l'Agriculture des États-Unis fait la mise en garde suivante : «Même si la consommation du boeuf saignant est très répandue, il faut savoir que lorsque la température interne de la viande atteint seulement 140 °F (60 °C), certains micro-organismes nuisibles pour la santé ne sont pas détruits.» (Source : *Safe Food Book, Your Kitchen Guide*, USDA, réu. juin 1985.)

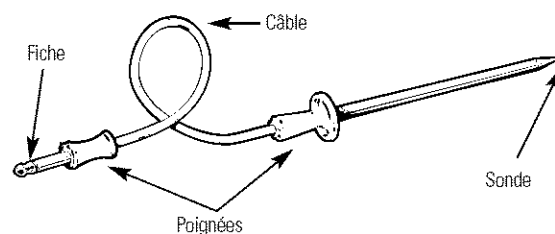
Sonde thermique

Dans le cas de nombreux aliments, plus particulièrement dans celui des rôtis et de la volaille, la température interne de l'aliment constitue le meilleur moyen d'en évaluer la cuisson. Grâce à la sonde thermique, plus besoin de deviner la durée du rôtissage.

Si vous utilisez une autre sonde que celle fournie avec votre four, cela pourrait l'endommager.

Saisissez la sonde par la poignée lorsque vous l'insérez dans la viande et la retirez du four et lorsque vous l'en retirez.

- Pour ne pas endommager votre sonde, n'utilisez pas de pinces pour tirer sur le câble lorsque vous l'enlevez.
- Assurez-vous que l'aliment est complètement décongelé avant d'insérer la sonde, afin d'éviter de la casser.
- Pour éviter tout risque de brûlures, ne débranchez la sonde de la prise que lorsque le four a refroidi.
- Ne laissez jamais votre sonde à l'intérieur du four lors d'un cycle de cuisson au grilloir ou d'autonettoyage.
- Ne laissez pas la sonde dans le four.



La sonde thermique ressemble à une broche pourvue à une extrémité d'une fiche que vous devez brancher dans la prise aménagée dans la voûte du four.

Positionnement correct de la sonde

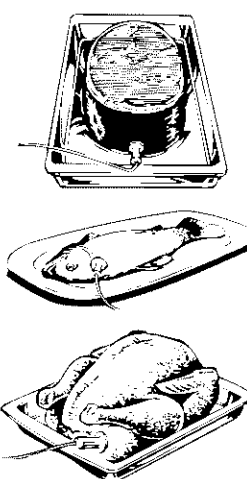
Après avoir préparé la viande et l'avoir placée sur une grille dans une lèche-frite, suivez les étapes ci-dessous pour bien positionner la sonde.

- La pointe de la sonde doit être placée au centre de la partie la plus épaisse de la viande du rôti.
- La sonde doit être insérée complètement dans la viande, jusqu'à la poignée, pour qu'elle puisse indiquer la température correctement. Elle ne devrait pas toucher l'os, le gras ou le cartilage.

Dans le cas d'un rôti désossé, insérez la sonde dans la partie coupée, dans la région la plus charnue. Dans le cas d'un jambon ou d'un gigot avec os, insérez la sonde jusqu'au centre du muscle inférieur le plus gros ou de l'articulation.

Insérez la sonde au centre du plat, par exemple un pain de viande ou une casserole. Pour la cuisson du poisson, insérez la sonde juste au-dessus des branchies, dans la partie la plus charnue, parallèlement à l'arête.

Insérez la sonde dans la partie la plus charnue de l'intérieur de la cuisse, par le dessous et parallèlement au pilon de la dinde.



Comment régler un rôtissage avec la sonde thermique

- 1 Insérez la sonde dans la nourriture. Consultez la section *Utilisation de la sonde*.
- 2 Branchez la sonde dans la prise aménagée dans le four. Assurez-vous qu'elle est bien branchée. Refermez la porte du four.
- 3 Appuyez sur **SONDE**.
- 4 **Sur les modèles à four double seulement**, appuyez sur **FOUR SUPÉR.** ou **FOUR INFÉR.** pour choisir le four.
- 5 Appuyez sur **OK**.
- 6 Appuyez sur les touches numériques pour régler la température interne souhaitée de la nourriture ou de la viande. (La température interne maximale de la nourriture que vous pouvez régler est 200 °F [93 °C].)
- 7 Appuyez sur **ENTRER**.
- 8 Appuyez sur **CUISSON**.
- 9 Appuyez sur les touches numériques pour régler la température de four désirée.
- 10 Appuyez sur **ENTRER**.
- 11 Appuyez sur **DÉPART**.

Le four s'allumera immédiatement et le restera jusqu'à ce qu'il soit éteint.

Le ventilateur de convection se mettra en marche (après un bref délai) et 100 °F (38 °C) apparaîtra à l'écran. (L'affichage de la température commencera à changer une fois que la température interne de la viande atteindra 100 °F [38 °C].)

Lorsque la température interne de la viande aura atteint 100 °F (38 °C), l'évolution de la température interne s'affichera à l'écran.

- 12 Lorsque la température interne de la viande atteint celle que vous avez réglée, le four s'éteint et un signal sonore se fait entendre. Pour faire cesser ce signal, appuyez sur la touche **CLEAR/OFF (EFFACER/ARRÊT)**. Retirez la sonde de la viande à l'aide de poignées ou de mitaines de four. N'utilisez pas de pinces pour la retirer—vous risquez de l'endommager.

Pour régler le deuxième four (**sur les modèles à four double seulement**), sélectionnez **ENFONCER POUR RÉGLER LE FOUR INFÉRIEUR** ou **ENFONCER POUR RÉGLER LE FOUR SUPÉRIEUR**, selon les besoins, puis suivez les étapes ci-dessus.

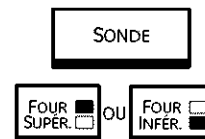
Le réglage de température peut être modifié en appuyant sur la touche **CHANGER LA DURÉE-TEMP** du four approprié.

Les réglages peuvent être annulés en appuyant sur la touche **ANNULER** du four approprié.

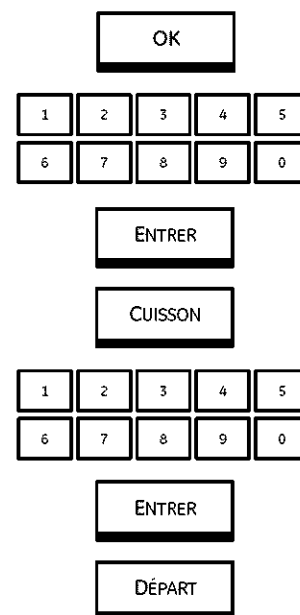
Le réglage de la minuterie s'effectue en appuyant sur **RÉGLER LA MINUTERIE**. Consultez la section *Minuterie*.

▲ MISE EN GARDE : Afin de prévenir d'éventuelles brûlures, ne débranchez pas la sonde de la prise du four tant que celui-ci ne s'est pas refroidi. Ne rangez pas la sonde dans le four.

- Si vous retirez la sonde de l'aliment avant que la température finale ait été atteinte, une tonalité se fait entendre et l'écran affichera un message jusqu'à ce que vous enleviez la sonde du four.
- Vous pouvez utiliser la minuterie même si vous ne pouvez effectuer une cuisson minutée.



Sur les modèles à four double seulement.



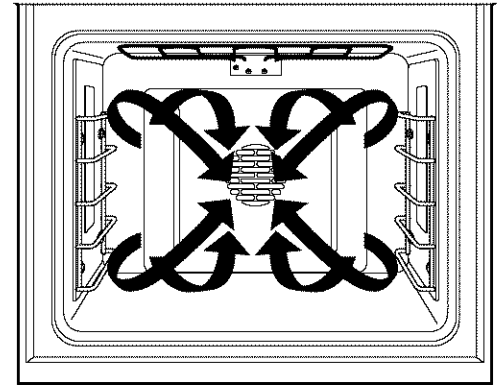
Ventilateur de convection

Dans un four à convection, l'air chaud circule au-dessus, au-dessous et autour des aliments grâce à un ventilateur.

L'air est ainsi distribué uniformément dans toute la cavité du four. Par conséquent, les aliments sont cuits uniformément et dorés à point—et la durée de cuisson est souvent plus courte que dans un four ordinaire.

REMARQUE : Le ventilateur de convection se met en marche et s'arrête pendant la cuisson pour mieux distribuer l'air chaud dans le four.

Le ventilateur du four à convection s'éteint lorsque vous ouvrez la porte du four. Ne laissez PAS la porte ouverte pendant de longues périodes lorsque vous avez programmé une cuisson par convection sinon, vous risquez d'écourter la durée de l'élément chauffant du système à convection.



Casseroles pour la cuisson par convection

Avant d'utiliser votre four à convection, vérifiez s'il y a suffisamment d'espace autour de votre plat de cuisson pour assurer une bonne circulation de l'air dans le four. Si vous utilisez plusieurs plats, laissez de l'espace entre eux. Assurez-vous également qu'ils n'entrent pas en contact avec d'autres casseroles ou avec les parois du four.

Papier et plastique

Vous pouvez utiliser dans le four à convection les contenants de plastique ou de papier résistant à la chaleur, recommandés par leur fabricant pour utilisation dans un four ordinaire. Les plats de cuisson en plastique résistant à une température de 400 °F (200 °C) conviennent également.

REMARQUE : ne laissez aucun papier ou plastique en contact avec l'élément de grillage supérieur.

Métal et verre

Vous pouvez utiliser n'importe quel type de plats de cuisson dans votre four à convection. Toutefois, ce sont les plats en métal qui chauffent le plus rapidement. Ils sont d'ailleurs recommandés pour la cuisson par convection.

Les plats de couleur foncée ou au fini mat assurent une cuisson plus rapide que les plats luisants.

Les plats en verre ou en céramique assurent une cuisson plus lente.

Lorsque vous préparez des biscuits, vous obtiendrez de meilleurs résultats si vous utilisez une plaque à biscuit plate plutôt qu'un moule à bords bas.

Dans le cas de certaines recettes, comme le poulet au four, utilisez un plat dont les parois sont peu élevées. L'air chaud ne peut circuler adéquatement autour de l'aliment lorsque celui-ci est placé dans un plat à parois élevées.

Pour adapter vos recettes

Vous pouvez vous servir de vos recettes préférées dans le four à convection.

Pour cuire à convection, réduisez la température de cuisson de 25 °F (14 °C) ou utilisez la fonction de

conversion Auto Recipe (auto-recette). Consultez *Conversion Auto Recipe (auto-recette)* dans la section *Caractéristiques spéciales de contrôle de votre four*.

Cuisson à convection avec plusieurs grilles

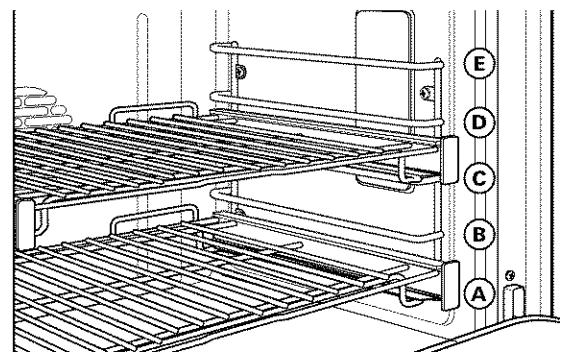
Pour cuire à convection avec une seule grille, adoptez la position de grille recommandée dans la section *Utilisation du four*.

Étant donné que l'air chauffé circule à travers le four, les aliments peuvent être cuits adéquatement sur plusieurs grilles.

Le montant de temps requis pour cuire avec plusieurs grilles peut légèrement augmenter pour certains aliments, mais dans l'ensemble vous gagnerez du temps. Vous obtiendrez d'excellents résultats en cuisant à convection avec plusieurs grilles les biscuits, les muffins, les petits gâteaux et les petits pains.

Quand vous cuisez avec 3 grilles, placez une grille en première position (A), une grille en troisième position (C) et une grille en cinquième position (E).

Pour cuire avec deux grilles, placez une grille en deuxième position (B) et l'autre en quatrième position (D).



Position de plusieurs grilles

Comment régler une cuisson ou un rôtissage par convection

- 1 Appuyez sur la touche **CUISSON à CONVECTION** ou **RÔTISSAGE à CONVECTION**.
- 2 Sur les modèles à four double seulement, appuyez sur **FOUR SUPÉR.** ou **FOUR INFÉR.** pour choisir le four.
- 3 Deux options de grille sont disponibles :
 - **GRILLE SIMPLE** – Appuyez sur cette touche pour cuire les aliments sur une seule grille lors de la cuisson par convection.
 - **MULTI GRILLES** – Appuyez sur cette touche pour cuire les aliments sur plus d'une grille (c.-à-d. 2 ou 3 grilles) simultanément lors de la cuisson par convection. Consultez la section *Cuisson par convection sur plusieurs grilles* pour plus d'information.
- 4 Appuyez sur les touches numériques pour régler la température désirée.
- 5 Appuyez sur **ENTRER**.
- 6 Appuyez sur **DÉPART**.

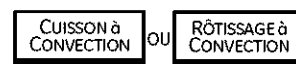
Le ventilateur de convection se mettra en marche durant le préchauffage. Une signal sonore indiquera que le préchauffage du four est terminé ; cela peut prendre environ 10 minutes. L'écran affichera le réglage de température.

Les aliments doivent être mis au four au signal sonore.

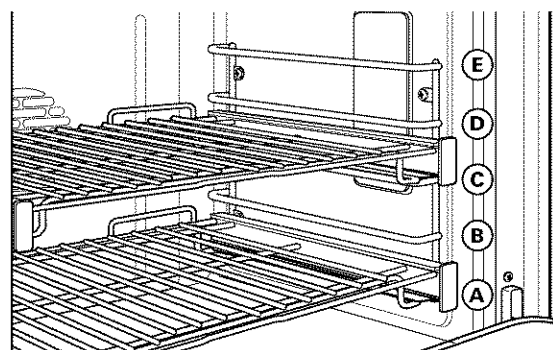
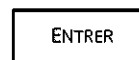
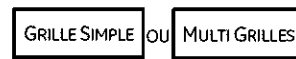
Pour régler le deuxième four (**sur les modèles à four double seulement**), sélectionnez **ENFONCER POUR RÉGLER LE FOUR INFÉRIEUR** ou **ENFONCER POUR RÉGLER LE FOUR SUPÉRIEUR** selon les besoins, puis suivez les étapes ci-dessus.

Le réglage de température peut être modifié en appuyant sur la touche **CHANGER LA DURÉE-TEMP** du four approprié.

Les réglages peuvent être annulés en appuyant sur la touche **ANNULER** du four approprié.



Sur les modèles à four double seulement.



Le four possède 5 positions de grille. Reportez-vous à la section *Grilles de four à extension complète* pour les instructions sur l'utilisation, l'enlèvement et la remise en place des grilles.

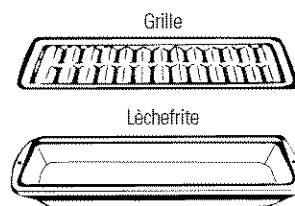
Le réglage de la minuterie s'effectue en appuyant sur **RÉGLER LA MINUTERIE**. Consultez la section *Minuterie*.

Une fois la cuisson terminée, le four émettra un signal sonore et le message « TEMPS SUPP. » s'affichera pendant cinq minutes. Vérifiez le degré de cuisson de la nourriture. Si du temps de cuisson supplémentaire est requis, appuyez sur la touche **TEMPS SUPP.** et entrez du temps de cuisson supplémentaire. Si cette fonction n'est pas sélectionnée, l'écran s'effacera automatiquement.

Conseils pour le rôtissage par convection

En utilisant la lèchefrite et sa grille pour rôtir, l'air réchauffé circule au-dessus, au-dessous et autour des aliments pendant le rôtissage. L'air réchauffé enferme les jus rapidement, ce qui donne un intérieur tendre et juteux tout en créant un extérieur d'un brun doré.

Lorsque vous faites rôtir par convection, il est important d'utiliser la lèchefrite et sa grille. La lèchefrite sert à recueillir les écoulements de gras et la grille sert à empêcher les éclaboussures de gras et à permettre à l'air réchauffé de circuler



sous la viande et d'ainsi augmenter le brunissage sur le dessous de la viande ou de la volaille.

- Placez la grille sur la lèchefrite.

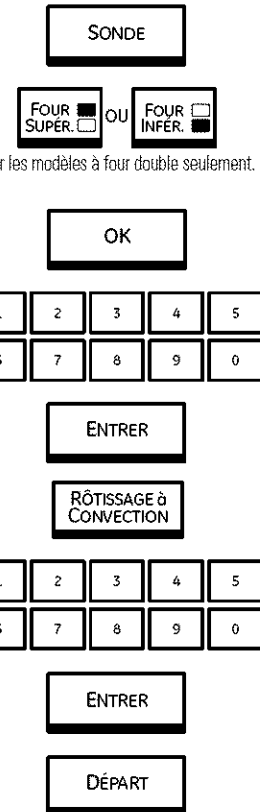
Comment régler un rôtissage par convection avec la sonde thermique

- 1 Placez la grille en position inférieure (A). Insérez la sonde dans la viande. Consultez la section *Utilisation de la sonde*.
- 2 Branchez la sonde dans la prise aménagée dans le four. Assurez-vous qu'elle est bien enfoncée dans la prise. Fermez la porte du four.
- 3 Appuyez sur **SONDE**.
- 4 **Sur les modèles à four double seulement**, appuyez sur **FOUR SUPÉR.** ou **FOUR INFÉR.** pour choisir le four.
- 5 Appuyez sur **OK**.
- 6 Appuyez sur les touches numériques pour régler la température interne de la viande que vous souhaitez atteindre. (La température interne maximale de la nourriture que vous pouvez régler est 200 °F [93 °C].)
- 7 Appuyez sur **ENTRER**.
- 8 Appuyez sur **RÔTISSAGE à CONVECTION**.
- 9 Appuyez sur les touches numériques pour régler la température de four désirée.
- 10 Appuyez sur **ENTRER**.
L'écran affichera un message si la sonde est insérée dans la prise et que vous n'avez pas réglé la température de la sonde ni appuyé sur ENTRER.
- 11 Appuyez sur **DÉPART**.
Le four et les lumières internes du four s'allumeront immédiatement et le resteront jusqu'à ce que le four soit éteint.
Le ventilateur de convection se mettra en marche (après un bref délai) et 100 °F (38 °C) apparaîtra à l'écran. (L'affichage de la température commencera à changer une fois que la température interne de la viande atteindra 100 °F [38 °C].)
Lorsque la température interne de la viande atteint 100 °F (environ 38 °C), la température interne réelle de l'aliment est affichée à l'écran.
- 12 Lorsque la température interne de la viande atteint celle que vous avez réglée, le four s'éteint et un signal sonore se fait entendre. Pour arrêter ce signal, appuyez sur **CLEAR/OFF (EFFACER/ARRÊT)**. Utilisez des poignées ou des mitaines de four pour retirer la sonde de l'aliment. N'utilisez pas de pinces pour la retirer car cela risque de l'endommager.

▲ MISE EN GARDE : Pour éviter tout risque de brûlures, ne débranchez pas la sonde de sa prise avant que le four ait refroidi. Ne laissez pas la sonde dans le four.



Pour obtenir de bons résultats lors du rôtissage de dindes et de rôtis de grande dimension, nous vous recommandons d'utiliser la sonde fournie avec votre four à convection.



Sur les modèles à four double seulement.

Pour modifier la température du four pendant le rôtissage par convection, appuyez sur **RÔTISSAGE à CONVECTION**, puis sur les touches numériques pour régler la nouvelle température désirée.

NOTE :

- Si vous retirez la sonde de l'aliment avant que la température finale ait été atteinte, une tonalité se fait entendre et l'écran affichera un message jusqu'à ce que vous enleviez la sonde du four.
- Pendant la cuisson, vous entendez le ventilateur fonctionner. Ce ventilateur s'arrête lorsque vous ouvrez la porte, mais l'élément chauffant demeure allumé.
- Vous ne pouvez pas programmer une fonction minutée, mais vous pouvez utiliser la minuterie.
- Sur les modèles à four double, vous ne pouvez pas utiliser la sonde dans le four supérieur pendant son fonctionnement minuté. En effet, avec la sonde, vous cuisez en fonction de la température, et pas du temps.

Rôtissage par convection

Four mural

Guide de rôtissage par convection

Viande		Minutes/lb	Temp. du four	Temp. interne	
Boeuf	Côtes, entrecôte, haut de surlonge (3 à 5 lb [1,4 à 2,3 kg])	Saignant	20-24	325 °F (163 °C)	140 °F (60 °C)†
		À point	24-28	325 °F (163 °C)	160 °F (71 °C)
		Bien cuit	28-32	325 °F (163 °C)	170 °F (82 °C)
	Filet	Saignant	10-14	325 °F (163 °C)	140 °F (60 °C)†
		À point	14-18	325 °F (163 °C)	160 °F (71 °C)
Porc	Désossé ou non (3 à 5 lb [1,4 à 2,3 kg])		23-27	325 °F (163 °C)	170 °F (82 °C)
	Côtelettes (1/2 à 1 po [1,3 à 2,5 cm] d'épaisseur)	2 côtelettes	30-35 au total	325 °F (163 °C)	170 °F (82 °C)
		4 côtelettes	35-40 au total	325 °F (163 °C)	170 °F (82 °C)
		6 côtelettes	40-45 au total	325 °F (163 °C)	170 °F (82 °C)
Jambon	En conserve, soc, jarret (3 à 5 lb [1,4 à 2,3 kg], cuit)		14-18	325 °F (163 °C)	140 °F (60 °C)
Agneau	Désossé ou non (3 à 5 lb [1,4 à 2,3 kg])	À point	17-20	325 °F (163 °C)	160 °F (71 °C)
		Bien cuit	20-24	325 °F (163 °C)	170 °F (82 °C)
Fruits de mer	Poisson, entier (3 à 5 lb [1,4 à 2,3 kg])		30-40 au total	400 °F (204 °C)	
	Queue de homard (6 à 8 oz [0,17 à 0,22 kg] ch.)		20-25 au total	350 °F (177 °C)	
Volaille	Poulet entier (2½ à 3½ lb [1,1 à 1,6 kg])		24-26	350 °F (177 °C)	180°-185 °F (82°-85 °C)
	Poulets de Comouailles non farcis (1 à 1½ lb [0,45 à 0,7 kg])		50-55 au total	350 °F (177 °C)	180°-185 °F (82°-85 °C)
	Farcis (1 à 1½ lb [0,45 à 0,7 kg])		55-60 au total	350 °F (177 °C)	180°-185 °F (82°-85 °C)
	Canard (4 à 5 lb [1,8 à 2,3 kg])		24-26	325 °F (163 °C)	180°-185 °F (82°-85 °C)
	Dinde, entière*				
	Non farcie (10 à 16 lb [4,5 à 7,3 kg])		8-11	325 °F (163 °C)	180°-185 °F (82°-85 °C)
Non farcie (18 à 24 lb [8,2 à 10,9 kg])		7-10	325 °F (163 °C)	180°-185 °F (82°-85 °C)	
Poitrine de dinde (4 à 6 lb [1,8 à 2,7 kg])		16-19	325 °F (163 °C)	170 °F (82 °C)	

* Il faut généralement allonger la durée de rôtissage de 30 à 45 minutes pour la volaille farcie. Prolégez les pilons et la poitrine avec du papier d'aluminium pour éviter un brunissage excessif et le dessèchement de la peau.

† Le ministère de l'Agriculture des États-Unis fait la mise en garde suivante : «Même si la consommation du boeuf saignant est très répandue, il faut savoir que lorsque la température interne de la viande atteint seulement 140 °F (60 °C), certains micro-organismes nuisibles pour la santé ne sont pas détruits.» (Source : *Safe Food Book, Your Kitchen Guide*, USDA, rév. juin 1985.)

Cuisson et rôtissage par convection minutés (mise en marche immédiate et arrêt automatique)

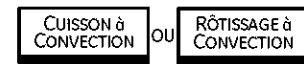
Sur les modèles à four double, vous pouvez utiliser la cuisson minutée dans un four tout en procédant à l'autonettoyage dans l'autre, ou encore la cuisson minutée dans les deux fours simultanément.

NOTE : Ne laissez jamais des aliments comme des produits laitiers, du poisson, de la farce, de la volaille et du porc reposer pendant plus d'une heure avant ou après la cuisson. Lorsque ces aliments sont laissés à la température de la pièce, cela favorise la prolifération de bactéries nocives.

Le four se met en marche immédiatement et fonctionne pendant la durée réglée. À la fin de la durée de cuisson, le four s'éteint automatiquement.

Assurez-vous que l'horloge affiche la bonne heure.

- 1 Appuyez sur la touche **CUISSON à CONVECTION** ou **RÔTISSAGE à CONVECTION**.
- 2 **Sur les modèles à four double seulement**, appuyez sur **FOUR SUPÉR.** ou **FOUR INFÉR.** pour choisir le four.
- 3 Deux options de grille sont disponibles :
 - **GRILLE SIMPLE** – Appuyez sur cette touche pour cuire les aliments sur une seule grille lors de la cuisson par convection.
 - **MULTI GRILLES** – Appuyez sur cette touche pour cuire les aliments sur plus d'une grille (c.-à-d. 2 ou 3 grilles) simultanément lors de la cuisson par convection. Consultez la section *Cuisson par convection sur plusieurs grilles* pour plus d'information.
- 4 Appuyez sur les touches numériques pour régler la température voulue.
- 5 Appuyez sur la touche **ENTRER**.
- 6 Appuyez sur les touches numériques pour régler la durée de cuisson désirée.
- 7 Appuyez sur la touche **ENTRER**.
- 8 Deux options de départ immédiat et d'arrêt automatique de la cuisson sont disponibles :
 - **DÉPART APRÈS PRÉCHAUFFAGE** – Appuyez sur cette touche pour préchauffer le four.
Le ventilateur de convection s'allumera durant le préchauffage. Une signal sonore indiquera que le préchauffage du four est terminé; cela peut prendre environ 10 minutes. L'écran affichera le réglage de température.
La cuisson minutée ne démarrera qu'une fois le préchauffage terminé et la touche **DÉPART ENFONCÉE**.
Au signal sonore, placez les aliments dans le four.
 - **DÉPART à FROID** – Appuyez sur cette touche pour démarrer le four immédiatement et cuire la nourriture sans préchauffage. Le ventilateur de convection se mettra en marche. Le décompte de la durée de cuisson commence aussi immédiatement.



Sur les modèles à four double seulement.



Le four va démarrer et poursuivre la cuisson pendant la période programmée, puis il s'arrêtera automatiquement, sauf si la fonction Cuisson et maintien a été sélectionnée. Consultez la section *Option cuisson et maintien*.

Pour régler le deuxième four (**sur les modèles à four double seulement**), sélectionnez **ENFONCER POUR RÉGLER LE FOUR INFÉRIEUR** ou **ENFONCER POUR RÉGLER LE FOUR SUPÉRIEUR** selon les besoins, puis suivez les étapes ci-dessus.

Le réglage de température peut être modifié en appuyant sur la touche **CHANGER LA DURÉE-TEMP** du four approprié.

Les réglages peuvent être annulés en appuyant sur la touche **ANNULER** du four approprié.

Le réglage de la minuterie s'effectue en appuyant sur **RÉGLER LA MINUTERIE**. Consultez la section *Minuterie*.

Une fois la cuisson terminée, le four émettra un signal sonore et le message « TEMPS SUPP. » s'affichera pendant cinq minutes. Vérifiez le degré de cuisson de la nourriture. Si du temps de cuisson supplémentaire est requis, appuyez sur la touche **TEMPS SUPP.** et entrez du temps de cuisson supplémentaire. Si cette fonction n'est pas sélectionnée, l'écran s'effacera automatiquement au bout de cinq minutes.

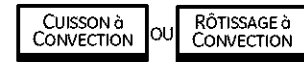
Cuisson et rôtissage par convection minutés (mise en marche différée et arrêt automatique)

Vous pouvez programmer la commande du four pour que le four se mette en marche à une heure précise, fonctionne pendant une durée prédéterminée, puis s'éteigne automatiquement. Consultez aussi la section *Départ différé*.

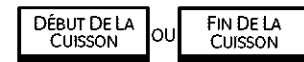
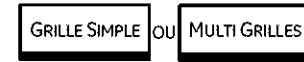
Assurez-vous que l'horloge affiche la bonne heure.

- 1 Appuyez sur la touche **CUISSON à CONVECTION** ou **RÔTISSAGE à CONVECTION**.
- 2 Sur les modèles à four double seulement, appuyez sur **FOUR SUPÉR.** ou **FOUR INFÉR.** pour choisir le four.
- 3 Deux options de grille sont disponibles :
 - **GRILLE SIMPLE** – Appuyez sur cette touche pour cuire les aliments sur une seule grille lors de la cuisson par convection.
 - **MULTI GRILLES** – Appuyez sur cette touche pour cuire les aliments sur plus d'une grille (c.-à-d. 2 ou 3 grilles) simultanément lors de la cuisson par convection. Consultez la section *Cuisson par convection sur plusieurs grilles* pour plus d'information.
- 4 Appuyez sur les touches numériques pour régler la température voulue.
- 5 Appuyez sur **ENTRER**.
- 6 Appuyez sur les touches numériques pour régler la durée de cuisson désirée.
- 7 Appuyez sur **ENTRER**.
- 8 Appuyez sur **AJOUTER OPTION CUISSON AU FOUR**.
- 9 Appuyez sur **DÉPART DIFFÉRÉ**.
- 10 Deux options de réglage de départ différé sont disponibles :
 - **DÉBUT DE LA CUISSON** – Appuyez sur la touche puis servez-vous des touches numérotées pour entrer le délai qui précédera le début de la cuisson. Appuyez sur **ENTRER**. Par exemple, si vous souhaitez que la cuisson débute dans 2 heures, entrez **2, 0** et **0**.
 - **FIN DE LA CUISSON** – Appuyez sur la touche puis servez-vous des touches numérotées pour entrer la période totale au terme de laquelle la cuisson prendra fin. Appuyez sur **ENTRER**. Par exemple, si votre temps de cuisson est de 2 heures et que vous souhaitez servir le repas dans 5 heures, entrez **5, 0** et **0** et le four démarrera dans 3 heures.
- 11 Deux options de départ sont disponibles une fois le délai du départ différé écoulé :
 - **DÉPART APRÈS PRÉCHAUFFAGE** – Appuyez sur la touche pour choisir le préchauffage. Une fois le délai du départ différé écoulé, le four s'allumera et le préchauffage commencera. Le ventilateur de convection se mettra en marche durant le préchauffage. Une signal sonore indiquera que le préchauffage du four est terminé ; cela peut prendre environ 10 minutes. L'écran affichera le réglage de température.
 - **DÉPART à FROID** – Appuyez sur cette touche pour que le four démarre immédiatement (sans préchauffage) une fois le délai de départ différé écoulé. Le ventilateur de convection se mettra en marche.

Pour régler le deuxième four (sur les modèles à four double seulement), sélectionnez **ENFONCER POUR RÉGLER LE FOUR INFÉRIEUR** ou **ENFONCER POUR RÉGLER LE FOUR SUPÉRIEUR** selon les besoins, puis suivez les étapes ci-dessus.



Sur les modèles à four double seulement.



Le réglage de température peut être modifié en appuyant sur la touche **CHANGER LA DURÉE-TEMP** du four approprié.

Les réglages peuvent être annulés en appuyant sur la touche **ANNULER** du four approprié.

Le réglage de la minuterie s'effectue en appuyant sur **RÉGLER LA MINUTERIE**. Consultez la section *Minuterie*.

Une fois le délai de départ différé écoulé, le four va démarrer et poursuivre la cuisson pendant la période programmée, puis il s'arrêtera automatiquement, sauf si la fonction Cuisson et maintien a été sélectionnée. Consultez la section *Cuisson et maintien*.

Une fois la cuisson terminée, le four émettra un signal sonore et le message « TEMPS SUPP. » s'affichera pendant cinq minutes. Vérifiez le degré de cuisson de la nourriture. Si du temps de cuisson supplémentaire est requis, appuyez sur la touche **TEMPS SUPP.** et entrez du temps de cuisson supplémentaire. Si cette fonction n'est pas sélectionnée, l'écran s'effacera automatiquement au bout de cinq minutes.

Recettes préférées

Four mural

Votre panneau de commande vous permettra de créer (sauvegarder), modifier, utiliser ou supprimer une recette préférée.

Créer une recette

- 1 Appuyez sur **RECETTE PRÉFÉRÉE**.
- 2 Appuyez sur **CRÉER RECETTE**.
- 3 Appuyez sur les touches alphabétiques pour créer un nom de recette. Appuyez sur **NUM** pour ajouter un chiffre. Appuyez sur **ESPAÇ.** pour ajouter un espace entre les lettres ou les chiffres. Appuyez sur **RET.** pour supprimer une lettre ou un chiffre au besoin. Appuyez sur **PRÊT** pour enregistrer le nom.
- 4 Appuyez sur **CUISSON, GRIL, CUISSON à CONVECTION** ou **RÔTISSAGE à CONVECTION** pour choisir le mode de cuisson.
- 5 Appuyez sur les touches numériques pour régler la température.
- 6 Appuyez sur **ENTRER**.
- 7 Appuyez sur les touches numériques pour régler la période de cuisson désirée.



- 8 Appuyez sur **ENTRER**.
- 9 Appuyez sur **AJOUTER LE PRÉCHAUFFAGE** pour régler le préchauffage ou sur **CONTINUER** pour réviser la recette réglée.
- 10 Appuyez sur **SAUVEGARDER ET CRÉER UNE NOUVELLE** pour sauvegarder la recette en mémoire sans l'utiliser à ce moment-ci. Appuyez sur **SAUVEGARDER ET DÉBUTER LA CUISSON** pour sauvegarder la recette en mémoire et procéder à la cuisson maintenant. Appuyez sur **ANNULER** pour supprimer la recette.

Modifier une recette sauvegardée

- 1 Appuyez sur **RECETTE PRÉFÉRÉE**.
- 2 Appuyez sur **MODIFIER RECETTE**.
- 3 Appuyez sur **▲** ou **▼** pour choisir la recette que vous souhaitez modifier.
- 4 Appuyez sur **ENTRER**.
- 5 Appuyez sur **▲** ou **▼** pour choisir le réglage que vous souhaitez modifier.
- 6 Appuyez sur **MODIFIER** puis modifiez le réglage.
- 7 Appuyez sur **PRÊT**.
- 8 Appuyez sur **SAUVEGARDER** ou **SAUVEGARDER ET DÉBUTER LA CUISSON**.



Utiliser une recette sauvegardée

- 1 Appuyez sur **RECETTE PRÉFÉRÉE**.
- 2 Appuyez sur **UTILISER RECETTE**.
- 3 Appuyez sur **▲** ou **▼** pour choisir la recette que vous souhaitez utiliser.
- 4 Appuyez sur **ENTRER**.
- 5 Appuyez sur **DÉPART**.
- 6 Sur les modèles à four double seulement, appuyez sur **FOUR SUPÉR.** ou **FOUR INFÉR.** pour choisir le four.



Supprimer une recette sauvegardée

- 1 Appuyez sur **RECETTE PRÉFÉRÉE**.
- 2 Appuyez sur **SUPPRIM. RECETTE**.
- 3 Appuyez sur **▲** ou **▼** pour choisir la recette que vous souhaitez supprimer.
- 4 Appuyez sur **ENTRER**.
- 5 Appuyez sur **SUPPRIMER**.
- 6 Appuyez sur **OUI**.

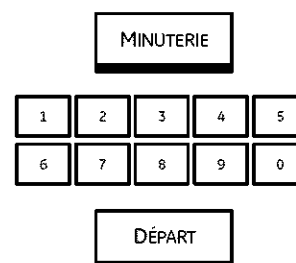


Pour régler la minuterie

- 1 Appuyez sur **MINUTERIE**.
- 2 Sur les modèles à four double seulement, appuyez sur **FOUR SUPÉR.** ou **FOUR INFÉR.** pour choisir la minuterie du four désiré.
- 3 Appuyez sur les touches numérotées jusqu'à ce que la période désirée s'affiche à l'écran. Par exemple, pour une période de 2 heures et 45 minutes, appuyez sur **2**, **4** et **5** dans cet ordre.
- 4 Appuyez sur **DÉPART**.

Si la période réglée ou restante est supérieure ou égale à une heure, l'écran affichera les heures et les minutes [HH: MM]. Les lettres « H » et « M » apparaîtront pour indiquer que la période s'affiche dans le format heures et minutes. (Si une ou plusieurs heures ont été réglées, l'écran ne commencera à effectuer le décompte qu'au bout d'une minute.)

Si la période réglée ou restante est inférieure à une heure, l'écran affichera les minutes et les secondes [MM : SS]. Les lettres « M » et « S » apparaîtront pour indiquer que la période s'affiche dans le format minutes et secondes.



La fonction MINUTERIE peut être réglée pour une période de 1 minute à 24 heures.

La minuterie ne contrôle pas les opérations du four.

- 5 Lorsque la minuterie atteint **:00**, la commande fait entendre 3 bips suivis d'un bip toutes les 6 secondes jusqu'à ce que la touche **MINUTERIE** soit enfoncée.

La tonalité peut être réduite au silence en suivant les étapes de la section *Options-Réglages sous Son/Volume*.

Pour annuler la (ou les) minuterie, appuyez sur **ANNULER MINUTERIE**.

Pour remettre la (ou les) minuterie à zéro, appuyez sur **ANNULER MINUTERIE** et réglez une nouvelle période de temps.

Verrouillage des commandes

Cette commande vous permet de verrouiller les touches de manière à ce qu'elles ne puissent pas être activées quand vous les pressez.

REMARQUE : Pour les modèles à four double, cette fonction est activée sur les deux fours.

Pour verrouiller/déverrouiller les commandes :

- 1 Appuyez sur **CLEAR/OFF (EFFACER/ARRÊT)** pendant 3 secondes, jusqu'à ce que l'écran affiche **COMMANDE VERROUILLÉE**.
- 2 Appuyez sur **CLEAR/OFF (EFFACER/ARRÊT)** pendant 3 secondes, jusqu'à ce que l'écran d'accueil apparaisse.

Quand cette caractéristique est branchée et les touches sont appuyées, la commande fait un signal sonore et **COMMANDE VERROUILLÉE** apparaît sur l'écran.



NOTES :

- Le mode de verrouillage affecte toutes les commandes, sauf la touche **CLEAR/OFF (EFFACER/ARRÊT)**. Aucune autre touche ne fonctionnera lorsque cette fonction est activée.
- L'ajustement reste en mémoire après huit pannes de courant.

Avant l'autonettoyage

Pour que le programme fonctionne adéquatement, il faut que la porte du four soit fermée et que toutes les commandes soient réglées correctement.

Nous vous recommandons d'assurer une ventilation adéquate en ouvrant une fenêtre ou en utilisant un ventilateur ou une hotte de cuisine au cours du premier autonettoyage.

Retirez du four la lèchefrite, la grille de la lèchefrite, la sonde, tous les ustensiles de cuisson et le papier d'aluminium.

Les grilles du four peuvent demeurer dans le four pendant le cycle d'autonettoyage sans être endommagées.

N'utilisez pas de matières abrasives ou de nettoyants à four. Nettoyez le dessus, les côtés et l'extérieur de la porte du four avec du savon et de l'eau.

Assurez-vous que le capot de la lampe du four est bien en place et que la lampe est éteinte.

IMPORTANT : Certains oiseaux sont extrêmement sensibles à la fumée produite pendant le programme d'autonettoyage de n'importe quel four. Placez les oiseaux dans une autre pièce bien aérée.

REMARQUE : La fonction Autonettoyage ne fonctionnera pas si la sonde est branchée ou la fonction Sabbath est réglée.

- Sur les modèles à four double, vous pouvez régler un cycle de nettoyage dans les deux fours simultanément. Le dernier four réglé attendra automatiquement la fin du cycle de nettoyage du premier four avant de démarrer son propre cycle.
- Sur les modèles à four double, vous pouvez utiliser simultanément la cuisson minutée dans un four et l'autonettoyage dans l'autre.

▲ MISE EN GARDE :

Ne mettez jamais d'ustensile de cuisine ou tout autre article en bas du four. Il y a un élément de chauffage sous le plancher du four. En plaçant des articles en bas du four, vous risquez d'entraîner une surchauffe du four, qui peut causer des dommages au four et risque d'endommager ou de brûler les armoires de votre cuisine.

Comment régler le four pour le nettoyage

- 1 Appuyez sur **AUTONETTOYAGE**.
- 2 **Sur les modèles à four double seulement**, appuyez sur **FOUR SUPÉR.** ou **FOUR INFÉR.** pour choisir le four.
- 3 Trois options d'autonettoyage sont disponibles :
 - **NETTOYAGE LÉGER** – Appuyez sur cette touche pour effectuer un nettoyage automatique de 3 heures. Recommandé lorsqu'il s'agit de nettoyage des débordements limités à une surface restreinte.
 - **NETTOYAGE RÉGULIER** – Appuyez sur cette touche pour effectuer un nettoyage automatique de 5 heures. Recommandé pour un four plus encrassé.
 - **PERSONNALISÉ** – Appuyez sur cette touche et à l'aide des touches numérotées, réglez une période de nettoyage de 3 à 7 heures et 30 minutes, selon le degré d'encrassement du four.
- 4 Appuyez sur **MAINTENANT**.

La porte se verrouille automatiquement. L'écran affichera le décompte de la période de nettoyage. On ne peut pas ouvrir la porte du four si la température n'est pas descendue sous la température de verrouillage et si le message **FOUR VERROUILLÉ** s'affiche.

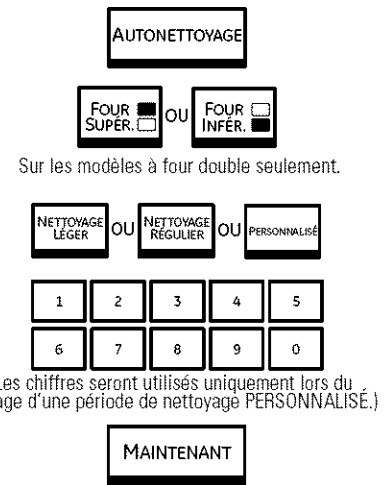
Lorsque la fonction **FOUR VERROUILLÉ** sera désactivée, vous pourrez ouvrir la porte.

- Le message **VERROUILLER LA PORTE** s'affichera et la commande du four émettra un signal si vous réglez un cycle de nettoyage et oubliez de fermer la porte du four.
- Pour mettre fin à un cycle de nettoyage, appuyez sur la touche **ANNULER** ou **CLEAR/OFF** (**EFFACER/ARRÊT**). Lorsque le message **FOUR VERROUILLÉ** sera désactivée, indiquant que le four s'est refroidi sous la température de verrouillage, vous serez en mesure d'ouvrir la porte.

Sur les modèles à four double, vous pouvez régler le nettoyage des deux fours simultanément. Le deuxième four attendra automatiquement la fin du nettoyage du premier four avant de démarrer son propre nettoyage.

Deux options sont disponibles pour régler le deuxième four :

- Immédiatement après le réglage du premier four :
Sélectionnez **ENFONCER POUR RÉGLER LE FOUR INFÉRIEUR** ou **ENFONCER POUR RÉGLER LE FOUR SUPÉRIEUR** selon les besoins, puis suivez les étapes 3 et 4.



- À partir de l'écran d'accueil (Home) :
 - 1 Appuyez sur **AUTONETTOYAGE**.
 - 2 Appuyez sur **NETTOYAGE LÉGER**, **NETTOYAGE RÉGULIER** ou **PERSONNALISÉ**. Reportez-vous aux références ci-dessus.
 - 3 Appuyez sur **COMMENCER APRÈS LE 1ER AUTONETTOYAGE** pour le déclenchement automatique du nettoyage du deuxième four une fois terminé celui du premier.

Pour différer le début de l'autonettoyage

Pour que le programme fonctionne adéquatement, il faut que la porte du four soit fermée et que toutes les commandes soient réglées correctement.

- 1 Appuyez sur **AUTONETTOYAGE**.
- 2 Sur les modèles à four double seulement, appuyez sur **FOUR SUPÉR.** ou **FOUR INFÉR.** pour choisir le four.
- 3 Trois options d'autonettoyage sont disponibles :
 - **NETTOYAGE LÉGER** – Appuyez sur cette touche pour effectuer un nettoyage automatique de 3 heures. Recommandé lorsqu'il s'agit du nettoyage de débordements limités à une zone restreinte.
 - **NETTOYAGE RÉGULIER** – Appuyez sur cette touche pour effectuer un nettoyage automatique de 5 heures. Recommandé pour un four plus encrassé.
 - **PERSONNALISÉ** – Appuyez sur cette touche et à l'aide des touches numérotées, réglez une période de nettoyage de 3 à 7 heures et 30 minutes, selon le degré d'encrassement du four.
- 4 Appuyez sur **PLUS TARD**.
- 5 Trois options de réglage de départ différé sont disponibles :

- **HEURE DE DÉPART** – Appuyez sur la touche puis servez-vous des touches numérotées pour entrer le délai qui précédera le début du nettoyage. Appuyez sur **ENTRER**.
- **DÉBUTER L'AUTONETTOYAGE** – Appuyez sur la touche puis servez-vous des touches numérotées pour régler l'heure du début du nettoyage. Appuyez sur **ENTRER**.
- **TERMINER L'AUTONETTOYAGE** – Appuyez sur la touche puis servez-vous des touches numérotées pour régler l'heure de la fin du nettoyage. Appuyez sur **ENTRER**.

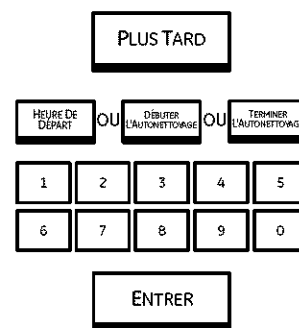
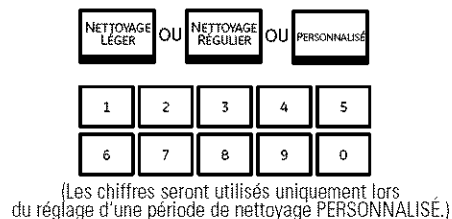
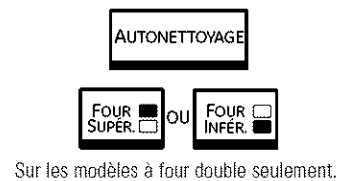
La porte se verrouille automatiquement. L'écran affichera l'heure du début. On ne peut pas ouvrir la porte du four si la température n'est pas descendue sous la température de verrouillage et si le message **FOUR VERROUILLÉ** s'affiche.

Lorsque la fonction **FOUR VERROUILLÉ** sera désactivée, vous pourrez ouvrir la porte.

Sur les modèles à four double, vous pouvez régler le nettoyage des deux fours simultanément. Le deuxième four réglé attendra automatiquement la fin du nettoyage du premier four avant de démarquer son propre nettoyage ou encore il attendra l'expiration du délai programmé.

Deux options sont disponibles pour régler le deuxième four :

- Immédiatement après le réglage du premier four :
Sélectionnez **ENFONCER POUR RÉGLER LE FOUR INFÉR.** ou **ENFONCER POUR RÉGLER LE FOUR SUPÉR.** selon les besoins, puis suivez les étapes 3 à 6 ci-dessus pour le deuxième four.



- À partir de l'écran d'accueil (Home) :

- 1 Appuyez sur **AUTONETTOYAGE**.
- 2 Appuyez sur **NETTOYAGE LÉGER**, **NETTOYAGE RÉGULIER** ou **PERSONNALISÉ**. Reportez-vous aux références ci-dessus.
- 3 Appuyez sur **COMMENCER APRÈS LE 1ER AUTONETTOYAGE** pour le déclenchement automatique du nettoyage du deuxième four une fois terminé celui du premier ; ou sur **HEURE DE DÉPART** puis suivez l'étape 6 ci-dessus pour régler l'heure du démarrage du deuxième four.

*Pour afficher le décompte du temps ou l'heure du départ, appuyez sur **AUTONETTOYAGE**.*

- Pour mettre fin à un cycle de nettoyage, appuyez sur **ANNULER** ou **CLEAR/OFF (EFFACER/ARRÊT)**. Lorsque la fonction **FOUR VERROUILLÉ** sera désactivée, indiquant que le four s'est refroidi sous la température de verrouillage, vous serez en mesure d'ouvrir la porte.

Après l'autonettoyage

Vous remarquerez un peu de cendre blanche dans le four. Essuyez-la avec un linge humide lorsque le four a refroidi.

S'il reste des taches blanches, faites-les disparaître à l'aide d'un tampon à récurer savonneux. Rincez à fond avec une solution d'eau et de vinaigre. Il s'agit généralement de résidus de sel qui ne disparaissent pas lors de l'autonettoyage.

Si le four n'est pas propre après un premier nettoyage, programmez à nouveau un autonettoyage.

- Vous ne pouvez programmer aucune fonction de cuisson tant que le four n'a pas suffisamment refroidi pour que vous puissiez déverrouiller la porte.
- Pendant un programme d'autonettoyage, vous pouvez appuyer sur **HORLOGE** pour afficher l'heure. Pour revenir à la durée résiduelle d'autonettoyage, appuyez sur **AUTONETTOYAGE**.
- Si les grilles du four glissent difficilement, essayez les bords des grilles du four avec l'huile de cuisson.

Fermentation

La fonction de fermentation maintient une chaleur suffisante pour faire lever les produits à la levure.

1 Placez la pâte dans le four sur la grille B ou C et recouvrez-la avec un linge pour de meilleurs résultats.

2 Appuyez sur **OPTIONS**.

3 Appuyez sur **FERMENTATION**.

La lumière intérieure du four s'allume et passera par des cycles d'allumage-extinction durant la fermentation.

La fonction de fermentation procure automatiquement la température optimale demandée par le processus de fermentation et par conséquent elle n'est pas munie d'un contrôle de la température.

4 **Sur les modèles à four double seulement,** appuyez sur **FOUR SUPÉR.** ou **FOUR INFÉR.** pour choisir le four.

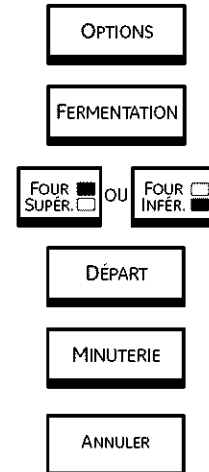
5 Appuyez sur **DÉPART**.

6 Réglez la touche **MINUTERIE** à la durée de fermentation minimale.

7 Lorsque la fermentation est terminée, appuyez sur la touche **ANNULER**.

- La fermentation ne fonctionnera pas si la température du four est supérieure à 125 °F (52 °C). Le message **FOUR TROP CHAUD** s'affichera à l'écran.
- La fermentation ne nécessite pas de préchauffer le four.
- Pour éviter d'abaisser la température du four et ainsi augmenter la durée de la fermentation, n'ouvrez pas la porte du four inutilement.
- Vérifiez le pain sans trop tarder pour éviter une fermentation excessive.

REMARQUE : N'utilisez pas le mode de fermentation pour réchauffer les aliments froids ni pour garder chauds les aliments cuits. La température de fermentation du four n'est pas suffisamment élevée pour garder les aliments à des températures sûres. Utilisez la fonction **CHAUD** pour garder les aliments au chaud.



Réglage du four pour conserver les aliments chauds

La caractéristique de conservation des aliments chauds peut être activée pour conserver chauds les aliments déjà cuits. Cette caractéristique n'est pas conçue pour réchauffer les aliments froids.

- 1 Appuyez sur **OPTIONS**.
- 2 Appuyez sur **CHAUD**.
- 3 Sur les modèles à four double seulement, appuyez sur **FOUR SUPÉR.** ou **FOUR INFÉR.** pour choisir le four.
- 4 Appuyez sur **ÉLEVÉE**, **MOYENNE** ou **BASSE** pour le réglage automatique de la température.
- 5 Appuyez sur **CROUSTILLANT** ou **TENDRE**, selon que vous souhaitez obtenir des aliments croustillants ou tendres.
- 6 Appuyez sur **DÉPART**.

Laissez le four se préchauffer :

BASSE	8 minutes
MOYENNE	15 minutes
ÉLEVÉE	20 minutes

REMARQUE : Le ventilateur de convection se mettra en marche si la fonction **CROUSTILLANT** est activée.

Pour régler le deuxième four (sur les modèles à four double seulement), sélectionnez **ENFONCER POUR RÉGLER LE FOUR INFÉRIEUR** ou **ENFONCER POUR RÉGLER LE FOUR SUPÉRIEUR** selon les besoins, puis suivez les étapes ci-dessus.

Le réglage de température peut être modifié en appuyant sur la touche **CHANGER LA DURÉE-TEMP** du four approprié.

Les réglages peuvent être annulés en appuyant sur la touche **ANNULER** du four approprié.

Le réglage de la minuterie s'effectue en appuyant sur **RÉGLER LA MINUTERIE**. Consultez la section *Minuterie*.

Pour rendre les aliments ramollis plus croustillants

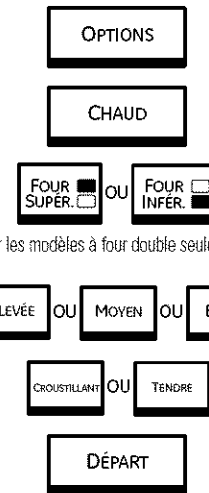
- Placez la nourriture dans une assiette ou une casserole aux bords peu élevés.
- Pour de meilleurs résultats, disposez les aliments en une seule couche. Ne les empilez pas.
- Laissez-les à découvert.
- Préchauffez le four au réglage **BASSE**.
- Après 45 minutes, vérifiez si la nourriture est croustillante. Augmentez la période au besoin.

▲ MISE EN GARDE :

Ne gardez pas les aliments dans le four en mode de réchauffement pendant plus de 2 heures.

REMARQUES IMPORTANTES :

- Les aliments doivent être gardés chauds dans leur récipient de cuisson ou transférés dans un plat de service résistant à la chaleur.
- Les aliments placés dans des casseroles en verre ou en céramique résistante à la chaleur nécessitent un réglage du thermostat plus élevé que ceux placés dans des casseroles métalliques.
- Couvrez les aliments humides avec un couvercle qui va au four ou une feuille d'aluminium.



Sur les modèles à four double seulement.

- Il n'est pas obligatoire de recouvrir les aliments frits ou croquants, mais ils risquent de devenir trop secs s'ils sont réchauffés pendant trop longtemps.
- L'ouverture répétée de la porte laisse échapper l'air chaud et refroidit les aliments.
- Si des aliments sont rajoutés, allouez un peu plus de temps pour stabiliser la température du four.
- De grandes quantités peuvent nécessiter d'augmenter le réglage du thermostat et de recouvrir certains aliments cuits.
- Enlevez les ustensiles (cuillères à servir, etc.) avant de placer les récipients dans le four.
- N'utilisez pas de contenants, couvercles ou pellicules en plastique.

▲ MISE EN GARDE :

Les contenants, couvercles ou pellicules en plastique vont fondre s'ils sont placés dans le four. Le plastique fondu risque d'être impossible à enlever et cette situation n'est pas couverte par la garantie.

Pour réchauffer les bols et plats de service

Pour réchauffer les bols et plats de service, réglez la commande à **BASSE**.

- Utilisez uniquement de la vaisselle qui résiste à la chaleur.
- Placez la vaisselle vide sur la grille. Si vous souhaitez réchauffer la vaisselle davantage, ou si celle-ci est en porcelaine, vérifiez sa tolérance maximale à la chaleur auprès des fabricants.
- La vaisselle de service vide se réchauffera pendant le préchauffage du four.
- Lorsqu'ils se trouvent ensemble dans le four, placez les plats de service vides sur la grille supérieure et les aliments cuits chauds sur la grille inférieure.

▲ MISE EN GARDE :

La vaisselle peut devenir très chaude. Utilisez des poignées ou des mitaines isolantes pour les sortir du four.

Tableau de sélection des températures pour les aliments croustillants

Pour garder chauds différents types d'aliments, réglez la température en fonction de l'aliment qui nécessite le réglage le plus élevé. Placez les aliments qui nécessitent le réglage le plus élevé sur la grille inférieure et ceux ont besoin de moins de chaleur sur la grille supérieure.

Type d'aliment	Réglages en fonction
Aliments frits	ÉLEVÉE
Bacon	ÉLEVÉE
Croustille au maïs	BASSE
Pain, pains mollets durs	MOYEN
Pizza	MOYEN
Pommes de terre, au four	ÉLEVÉE
Tartes (deux croûtes)	MOYEN

Conseils :

- Laissez les aliments à découvert.
- N'utilisez pas de contenants ou pellicules en plastique.
- Préchauffez le four avant l'utilisation.

Tableau de sélection des températures pour les aliments mous

Pour garder chauds différents types d'aliments, réglez la température en fonction de l'aliment qui nécessite le réglage le plus élevé. Placez les aliments qui nécessitent le réglage le plus élevé sur la grille inférieure et ceux ont besoin de moins de chaleur sur la grille supérieure.

Type d'aliment	Réglages en fonction
Agneau	MOYEN
Boeuf, médium et bien cuit*	MOYEN
Casseroles	MOYEN
Céréale cuite	MOYEN
Chili	ÉLEVÉE
Crêpes, gaufres	BASSE
Fruits	MOYEN
Jambon	MOYEN
Légumes	MOYEN
Oeufs	MOYEN
Pain, pains mollets mous	MOYEN
Poisson, fruits de mer	MOYEN
Pommes de terre, pilées	MOYEN
Porc	MOYEN
Sauces, sauces à la crème	MOYEN
Tartes (une croûte)	MOYEN
Volaille	ÉLEVÉE

** L'organisme USDA/FSIS recommande une température interne de 145 °F (63 °C) pour la cuisson minimale du boeuf. Utilisez un thermomètre à viande pour vérifier les températures internes.*

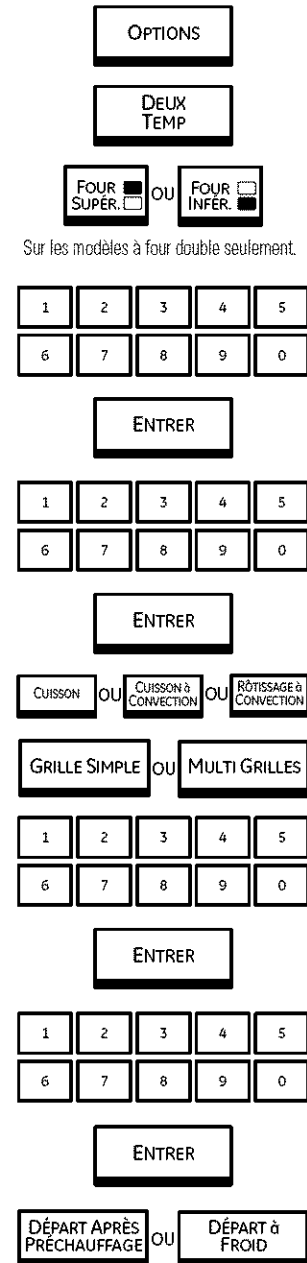
Conseils :

- Recouvrez les aliments d'un couvercle ou de papier d'aluminium.
- Ne mettez pas d'eau dans le four.
- N'utilisez pas de contenants ou pellicules en plastique.
- Préchauffez le four avant l'utilisation.

Deux températures

Utilisez cette option pour associer successivement deux températures à deux périodes de cuisson.

- 1 Appuyez sur **OPTIONS**.
- 2 Appuyez sur **DEUX TEMP.**
- 3 **Sur les modèles à four double seulement**, appuyez sur **FOUR SUPÉR.** ou **FOUR INFÉR.** pour choisir le four.
- 4 Appuyez sur les touches numériques pour régler la première température.
- 5 Appuyez sur **ENTRER**.
- 6 Appuyez sur les touches numériques pour régler la première période de cuisson désirée.
- 7 Appuyez sur **ENTRER**.
- 8 Appuyez sur **CUISSON**, **CUISSON à CONVECTION** ou **RÔTISSAGE à CONVECTION** au besoin.
- 9 Si **CUISSON à CONVECTION** a été choisi, appuyez sur **GRILLE SIMPLE** pour une cuisson sur une grille, ou sur **MULTI GRILLES** pour deux ou trois grilles.
- 10 Appuyez sur les touches numériques pour régler la deuxième température.
- 11 Appuyez sur **ENTRER**.
- 12 Appuyez sur les touches numériques pour régler la deuxième période de cuisson.
- 13 Appuyez sur **ENTRER**.
- 14 Appuyez sur **DÉPART APRÈS PRÉCHAUFFAGE** ou **DÉPART à FROID**.



Cuisson et conservation au chaud

Votre nouveau contrôle a une fonction de cuisson et de conservation au chaud qui conserve au chaud les aliments cuits jusqu'à trois heures après la fin d'une cuisson minutée ou d'un rôtissage minuté.

NOTE : Vous ne pouvez programmer cette fonction qu'avec cuisson minutée ou rôtissage minuté. (Consultez la section Utilisation de la cuisson et du rôtissage minutés). Une fois que la cuisson minutée ou le rôtissage minuté a automatiquement cessé et que la fonction TEMPS SUPP. s'est désactivée, c'est au tour de la fonction de cuisson et maintien de la température de démarrer automatiquement.

Il y a deux façons d'activer cette fonction après la cuisson ou le rôtissage minutés :

- Après avoir réglé une cuisson minutée ou un rôtissage minuté :
- 1 Appuyez sur **AJOUTER OPTION CUISSON AU FOUR, AJOUTER OPTION CUISSON À CONV.** ou **AJOUTER OPTION DE RÔTISSAGE** selon le mode de cuisson que vous réglez.
 - 2 Appuyez sur **CUISSON ET MAINTIEN**.

CUISSON ET MAINTIEN

- 3 Appuyez sur **OK**.
 - 4 Appuyez sur **DÉPART APRÈS PRÉCHAUFFAGE** ou **DÉPART à FROID**.
- Réglez à partir du menu **OPTIONS :**
- 1 Appuyez sur **OPTIONS**.
 - 2 Appuyez sur **CUISSON ET MAINTIEN**.
 - 3 Sur les modèles à four double seulement, appuyez sur **FOUR SUPÉR.** ou **FOUR INFÉR.** pour choisir le four.
 - 4 Appuyez sur **OK**.
 - 5 Appuyez sur **CUISSON, CUISSON à CONVECTION, RÔTISSAGE à CONVECTION** ou **DEUX TEMP.**
 - 6 Appuyez sur les touches numériques pour entrer la (ou les) température et la (ou les) période.
 - 7 Appuyez sur **ENTRER**.
 - 8 Appuyez sur **DÉPART APRÈS PRÉCHAUFFAGE** ou **DÉPART à FROID**.

Déshydrater

La déshydratation (séchage) est une méthode de préservation des fruits, des légumes, des herbes et des viandes qui consiste à retirer l'humidité de façon à ce que les bactéries, les levures et les moisissures ne puissent proliférer et gâter la nourriture. Le four utilise une température programmée automatiquement ainsi que le ventilateur à convection pour expulser l'humidité des aliments afin de les sécher et les préserver. Notez qu'il faut plus de 12 heures pour sécher certains aliments.

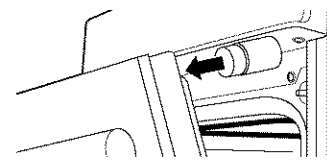
Pendant la déshydratation, la porte du four doit demeurer partiellement ouverte pour permettre à l'air de circuler et à l'humidité de s'évacuer.

Utilisez la butée qui est comprise avec le four pour tenir la porte ouverte pendant la déshydratation.

- 1 Ouvrez la porte du four.
- 2 Placez l'extrémité magnétique de la butée sur la surface interne supérieure de la porte du four.
- 3 Fermez la porte du four en laissant celle-ci reposer contre la butée.
- 4 Appuyez sur **OPTIONS**.
- 5 Appuyez sur **DÉSHYDRATER**.
- 6 Sur les modèles à four double seulement, appuyez sur **FOUR SUPÉR.** ou **FOUR INFÉR.** pour choisir le four.
- 7 Entrez la température (max. 200 °F [93 °C]).
- 8 Appuyez sur **ENTRER**.
- 9 Appuyez sur **DÉPART**.

REMARQUES :

- Rangez la butée dans un lieu sûr quand elle ne sert pas.
- Utilisez uniquement la butée qui est comprise avec le four et utilisez-la seulement pour la déshydratation.
- Ne rangez pas la butée dans le four.
- N'oubliez pas qu'une préparation, un traitement et un stockage adéquats sont essentiels pour garantir la qualité et la sûreté des aliments séchés.



Placez l'extrémité magnétique de la butée sur la surface interne supérieure de la porte du four. Fermez la porte contre la butée.

OPTIONS

DÉSHYDRATER

FOUR SUPÉR.

OU

FOUR INFÉR.

ENTRER

DÉPART

Conseils utiles sur la déshydratation :

- Il est possible de sécher les aliments sur plusieurs grilles à la fois.
- Le temps de séchage dépendra de plusieurs facteurs :
 - le nombre de grilles d'aliments ;
 - la quantité d'aliments sur chaque grille ;
 - la taille, la forme et l'épaisseur des aliments ;
 - le type de plateau de séchage utilisé.

Pour commander une butée de rechange, communiquez avec notre Centre national de pièces au 1.800.661.1616 en mentionnant la référence WB08T10024.

Départ différé et arrêt automatique

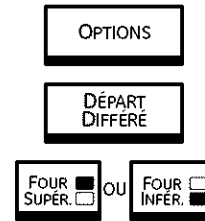
NOTE : Ne laissez jamais des aliments comme des produits laitiers, du poisson, de la farce, de la volaille et du porc reposer pendant plus d'une heure avant ou après la cuisson. Lorsque ces aliments sont laissés à la température de la pièce, cela favorise la prolifération de bactéries nocives.

Vous pouvez programmer le four de façon à obtenir un départ différé pour les fonctions Cuisson, Cuisson à convection ou Rôtissage à convection, et ce pendant une période spécifique au terme de laquelle le four s'arrêtera automatiquement. Consultez également les sections sur la cuisson et le rôtissage minutés ainsi que sur la cuisson et le rôtissage minutés par convection.

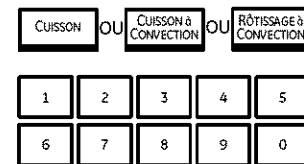
Assurez-vous que l'heure du jour affichée par l'horloge est correcte.

- Appuyez sur **OPTIONS**.
- Appuyez sur **DÉPART DIFFÉRÉ**.
- Sur les modèles à four double seulement, appuyez sur **FOUR SUPÉR.** ou **FOUR INFÉR.** pour choisir le four.
- Deux options de réglage de départ différé sont disponibles :
 - **DÉBUT DE LA CUISSON** – Appuyez sur la touche puis servez-vous des touches numérotées pour entrer le délai qui précédera le début de la cuisson. Appuyez sur **ENTRER**. Par exemple, si vous souhaitez que la cuisson débute dans 2 heures, entrez **2, 0** et **0**.
 - **FIN DE LA CUISSON** – Appuyez sur la touche puis servez-vous des touches numérotées pour ajouter la période qui fera en sorte que la cuisson prendra fin à l'heure souhaitée, en tenant compte de l'heure du jour et du temps de cuisson. Appuyez sur **ENTRER**. Si, par exemple, il est présentement 12:00, que votre période de cuisson est de 2 heures et que vous souhaitez servir le repas à 17:00, alors entrez **3, 0** et **0**.
- Appuyez sur **CUISSON**, **CUISSON à CONVECTION** ou **RÔTISSAGE à CONVECTION** au besoin.
- Appuyez sur les touches numériques pour régler la température désirée.
- Appuyez sur **ENTRER**.
- Appuyez sur les touches numériques pour régler la période de cuisson désirée.
- Appuyez sur **ENTRER**.
- Deux options de départ sont disponibles une fois le délai du départ différé écoulé :
 - **DÉPART APRÈS PRÉCHAUFFAGE** – Appuyez sur la touche pour choisir le préchauffage. Une fois le délai du départ différé écoulé, le four s'allumera et le préchauffage commencera. Les lumières internes du four s'allumeront et le resteront jusqu'à ce que le four soit éteint.

Le ventilateur de convection se mettra en marche durant le préchauffage. Une signal sonore indiquera que le préchauffage du four est terminé ; cela peut prendre environ 10 minutes. L'écran affichera le réglage de température.
 - **DÉPART à FROID** – Appuyez sur cette touche pour que le four démarre immédiatement (sans préchauffage) une fois le délai de départ différé écoulé. Les lumières internes du four s'allumeront et le resteront jusqu'à ce que le four soit éteint. Le ventilateur de convection se mettra aussi en marche.



Sur les modèles à four double seulement.



Pour régler le deuxième four (sur les modèles à four double seulement), sélectionnez **ENFONCER POUR RÉGLER LE FOUR INFÉRIEUR** ou **ENFONCER POUR RÉGLER LE FOUR SUPÉRIEUR** selon les besoins, puis suivez les étapes ci-dessus.

Le réglage de température peut être modifié en appuyant sur la touche **CHANGER LA DURÉE-TEMP** du four approprié.

Les réglages peuvent être annulés en appuyant sur la touche **ANNULER** du four approprié.

Le réglage de la minuterie s'effectue en appuyant sur **RÉGLER LA MINUTERIE**. Consultez la section *Minuterie*.

Une fois le délai de départ différé écoulé, le four va démarrer et poursuivre la cuisson pendant la période programmée, puis il s'arrêtera automatiquement, sauf si la fonction Cuisson et maintien a été sélectionnée. Consultez la section *Cuisson et maintien*.

Une fois la cuisson terminée, le four émettra un signal sonore et le message « TEMPS SUPP. » s'affichera pendant cinq minutes. Vérifiez le degré de cuisson de la nourriture. Si du temps de cuisson supplémentaire est requis, appuyez sur la touche **TEMPS SUPP.** et entrez du temps de cuisson supplémentaire. Si cette fonction n'est pas sélectionnée, l'écran s'effacera automatiquement au bout de cinq minutes.

Mode Sabbath— Comment régler la cuisson/le rôtissage régulier

(Conçu pour les fêtes juives et le Sabbath.)
(sur certains modèles)

Vous ne pouvez utiliser le mode Sabbath que pour cuire ou pour rôtir. Vous ne pouvez pas l'utiliser pour convection, griller, auto-nettoyer ou mettre en marche en mode différé.

- 1 Appuyez sur **OPTIONS**.
- 2 Appuyez sur **SABBAT**.
Une fois à l'écran SABBAT, les touches n'émettront pas de tonalités. Elles changeront de couleur pour indiquer qu'elles sont réglées.
- 3 **Sur les modèles à four double seulement**, appuyez sur **CUISSON DANS LE FOUR SUPÉRIEUR** ou **CUISSON DANS LE FOUR INFÉRIEUR** pour choisir le(s) four(s).
- 4 Appuyez sur les touches numériques pour régler la température désirée entre 170 °F et 550 °F (77 °F et 288 °F). Aucun signal ou température ne seront donnés.
- 5 Appuyez sur **DÉPART**.
- 6 Après un délai aléatoire d'environ 30 secondes à 1 minute, le four commencera la cuisson/le rôtissage. L'écran tactile ne changera pas et la lumière du four s'éteindra.

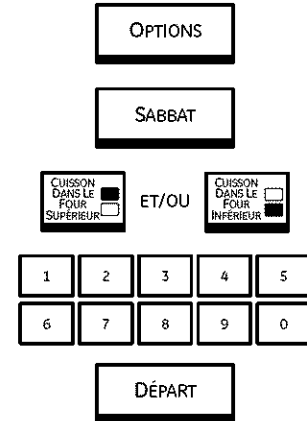
Pour régler la température du four, répétez les étapes 3, 4, 5 et 6.

Pour annuler l'option Sabbath, maintenez enfoncée la touche **ANNULER ENFONCER 3 SEC** pendant trois secondes.

REMARQUES : ANNULER ENFONCER 3 SEC, CLEAR/OFF (EFFACER/ARRÊT) et ANNULER sont les seules touches immédiatement actives pendant la cuisson Sabbath. Ces touches annuleront la cuisson en cours immédiatement après avoir été enfoncées et doivent être enfoncées uniquement après la fin du Sabbath. Toutes les autres touches ont un effet retardé.

Si une coupure de courant se produit pendant que le four est en mode Sabbath, il s'éteindra automatiquement et restera éteint, même après le retour du courant. Le mode Sabbath reprendra, mais toute cuisson sera annulée.

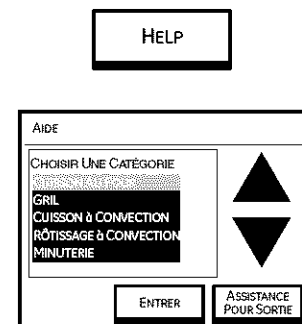
REMARQUE : Si un mode de cuisson ou un mode de cuisson programmée est actif avant de passer en mode Sabbath, ces modes de cuisson resteront actifs après le passage en mode Sabbath. Tous les autres modes de cuisson seront annulés, après le commencement du mode Sabbath.



Aide

Appuyez sur cette touche pour en savoir plus sur les fonctions du four.

- 1 Appuyez sur la touche **HELP**.
- 2 Appuyez sur les flèches ▲ (haut) ou ▼ (bas) pour choisir la fonction désirée.
- 3 Appuyez sur **ENTRER**.
- 4 Appuyez sur la flèche ▼ (bas), si elle est présente, pour consulter tout le texte de l'aide.
- 5 Appuyez sur **ASSISTANCE POUR SORTIE** pour quitter l'écran AIDE.



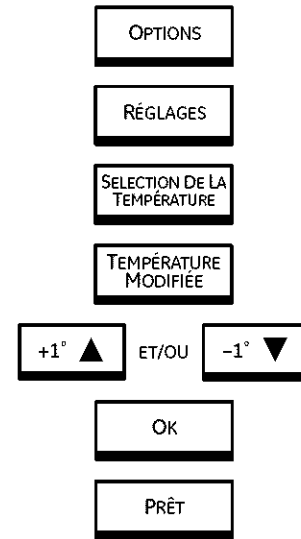
Réglage de la commande de température—faites-le vous-même!

Il est possible que vous trouviez que dans votre nouveau four la cuisson est différente que dans votre ancien four. Utilisez votre nouveau four pendant quelques semaines afin de vous familiariser avec son fonctionnement. Si vous trouvez que la température dans votre nouveau four est trop élevée ou trop basse, vous pouvez régler la commande de température vous-même.

Nous vous recommandons de ne pas utiliser un thermomètre bon marché, comme ceux vendus dans les épiceries, pour vérifier le réglage de température de votre nouveau four. Ces thermomètres peuvent présenter des écarts de 20 à 40 degrés.

NOTE : Ce réglage affectera seulement les températures de cuisson et de rôtissage. Ce réglage n'affectera nullement les températures de grillage, de convection ou d'autonettoyage. De plus, il sera conservé en mémoire si jamais une panne de courant survient.

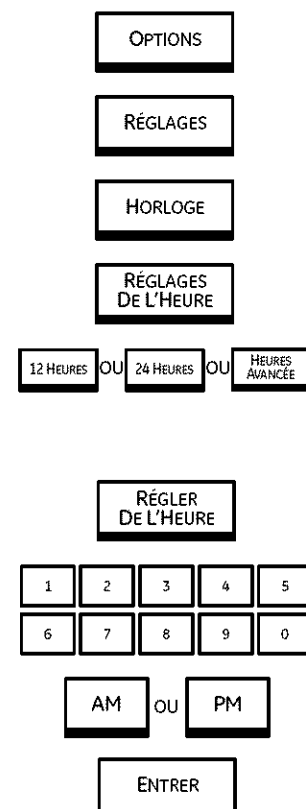
- 1 Appuyez sur **OPTIONS**.
- 2 Appuyez sur **RÉGLAGES**.
- 3 Appuyez sur **SÉLECTION DE LA TEMPÉRATURE**.
- 4 Appuyez sur **TEMPÉRATURE MODIFIÉE**.
- 5 La température du four peut être augmentée (+) ou diminuée (-) dans une proportion allant jusqu'à 35 °F. Appuyez sur + 1° ▲ ou - 1° ▼ pour augmenter ou diminuer la température par incréments de 1°.
- 6 Lorsque la modification est terminée, appuyez sur **OK** puis **PRÊT**. Utilisez votre four comme vous le feriez normalement.



Pour régler l'horloge

Pour que les dispositifs de chronométrage automatiques du four fonctionnent correctement, vous devez régler l'horloge à la bonne heure. Il n'est pas possible de modifier l'heure au cours d'une cuisson minutée ou de l'autonettoyage.

- 1 Appuyez sur **OPTIONS**.
- 2 Appuyez sur **RÉGLAGES**.
- 3 Appuyez sur **HORLOGE**.
- 4 Appuyez sur **RÉGLAGES DE L'HEURE**.
- 5 **Trois options sont disponibles :**
 - Pour régler l'heure au format 12 heures : Appuyez sur **12 HEURES**, puis sur **RÉGLER L'HEURE**, entrez les heures et les minutes depuis 1:00 jusqu'à 12:59, appuyez sur **AM** ou **PM**, sur **DÉPART** puis sur **OK**.
 - Pour régler l'heure au format 24 heures : Appuyez sur **24 HEURES**, puis sur **RÉGLER L'HEURE**, entrez les heures et les minutes depuis 00:01 jusqu'à 23:59, appuyez sur **DÉPART** puis sur **OK**.
 - Pour régler à l'heure avancée : Appuyez sur **HEURE AVANCÉE**, puis sur **RECULER D'UNE HEURE** pour reculer d'une heure ou sur **AVANCER D'UNE HEURE** pour avancer d'une heure.
- 6 Appuyez sur **RÉGLER L'HEURE**.
- 7 Appuyez sur les touches numériques pour entrer l'heure courante en heures et minutes.
- 8 Appuyez sur **AM** ou **PM**.
- 9 Appuyez sur **ENTRER**.



Assurez-vous que l'horloge est réglée à la bonne heure.

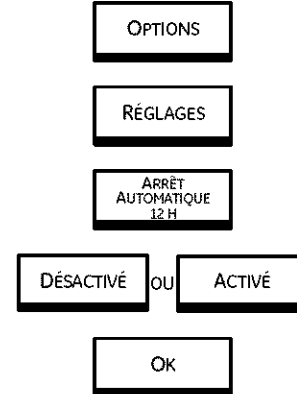
Arrêt automatique 12 heures

Grâce à cette caractéristique, si vous oubliez le four et le laissez allumé, la commande l'éteindra automatiquement après 12 heures pendant les fonctions de cuisson, ou après 3 heures pendant une fonction de grillage.

REMARQUE : Sur les modèles à four double, cette fonction spéciale est activée sur les deux fours.

Suivez les étapes ci-dessous :

- 1 Appuyez sur **OPTIONS**.
- 2 Appuyez sur **RÉGLAGES**.
- 3 Appuyez sur **ARRÊT AUTOMATIQUE 12 H.**
- 4 Appuyez sur **DÉSACTIVÉ** ou **ACTIVÉ**.
- 5 Appuyez sur **OK**.

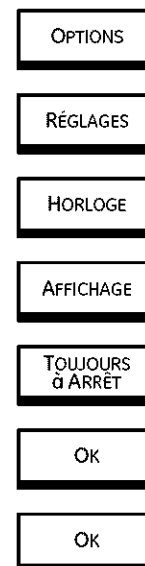


Dissimulation de l'horloge

Si vous préférez dissimuler l'affichage de l'horloge, suivez les étapes ci-dessous.

- 1 Appuyez sur **OPTIONS**.
- 2 Appuyez sur **RÉGLAGES**.
- 3 Appuyez sur **HORLOGE**.
- 4 Appuyez sur **AFFICHAGE**.
- 5 Appuyez sur **TOUJOURS À ARRÊT**.
- 6 Appuyez sur **OK**.
- 7 Appuyez sur **OK** à nouveau.

REMARQUE : Lorsque l'horloge est réglée au mode «extinction», vous ne pouvez utiliser la fonction de mise en marche différée.

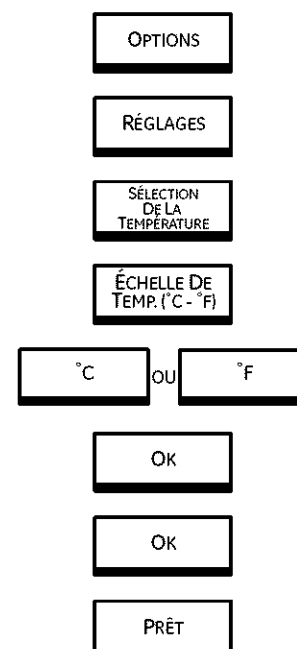


Température en degrés Fahrenheit ou Celsius

Votre commande est réglée pour afficher la température en degrés Fahrenheit, mais vous pouvez modifier cette sélection afin de l'afficher en degrés Celsius.

- 1 Appuyez sur **OPTIONS**.
- 2 Appuyez sur **RÉGLAGES**.
- 3 Appuyez sur **SÉLECTION DE LA TEMPÉRATURE**.
- 4 Appuyez sur **ÉCHELLE DE TEMP. (°C-°F)**.
- 5 Appuyez sur **°F** pour des degrés en Fahrenheit ou sur **°C** pour des degrés en Celsius.
- 6 Appuyez sur **OK**.
- 7 Appuyez sur **OK** à nouveau.
- 8 Appuyez sur **PRÊT**.

REMARQUE : Pour les modèles à four double, le nouveau réglage s'appliquera aux deux fours.



*Utilisation
de la
conversion
Auto Recipe™
(auto-recette)
(sur certains
modèles)*

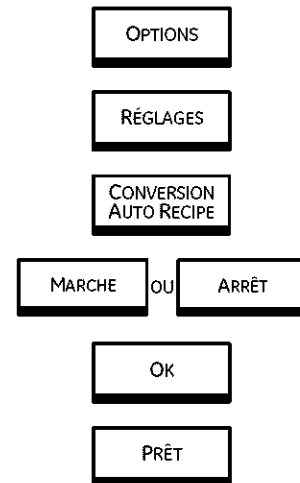
Quand vous utilisez la cuisson à convection, la caractéristique de conversion Auto Recipe™ (auto-recette) convertit automatiquement les températures de cuisson normales aux températures de cuisson par convection.

Quand la caractéristique est activée, la température réelle de convection (température réduite) apparaît sur l'écran. Par exemple, si vous inscrivez une température normale de recette de 350 °F (177 °C) et si vous appuyez sur la touche **DÉPART, CON** (convection) et la température de convection de 325 °F (163 °C) apparaît sur l'écran.

REMARQUE : Cette caractéristique ne convertit pas les temps de cuisson normaux en temps par convection, mais uniquement la température.

Pour activer/désactiver cette fonction :

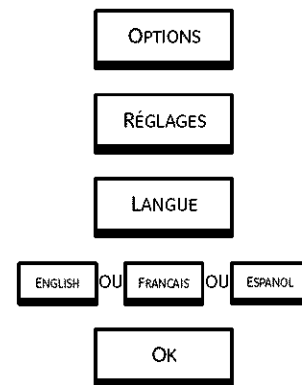
- 1 Appuyez sur **OPTIONS**.
- 2 Appuyez sur **RÉGLAGES**.
- 3 Appuyez sur **CONVERSION AUTO RECIPE**.
- 4 Appuyez sur **MARCHE** pour activer la fonction de conversion automatique ou sur **ARRÊT** pour désactiver la fonction.
- 5 Appuyez sur **OK**.
- 6 Appuyez sur **PRÊT**.



Langue

Cette option vous permet de choisir l'anglais, l'espagnol ou le français pour le texte de l'écran tactile.

- 1 Appuyez sur **OPTIONS**.
- 2 Appuyez sur **RÉGLAGES**.
- 3 Appuyez sur **LANGUE**.
- 4 Appuyez sur **ENGLISH, FRANÇAIS** ou **ESPAÑOL**.
- 5 Appuyez sur **OK**.



*Couleur de
l'affichage*

Cette option vous permet de changer les couleurs de l'écran tactile.

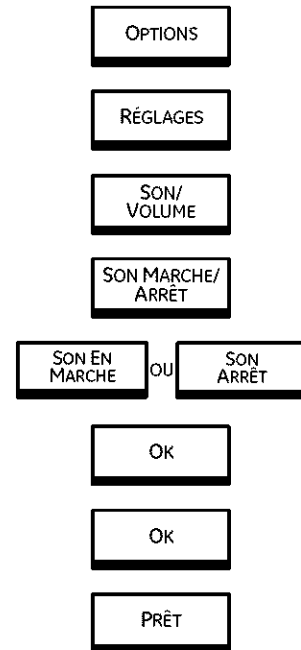
- 1 Appuyez sur **OPTIONS**.
- 2 Appuyez sur **RÉGLAGES**.
- 3 Appuyez sur **COULEUR DE L'AFFICHAGE**.
- 4 Appuyez sur les couleurs désirées.
- 5 Appuyez sur **OK**.



*Son
marche/arrêt*

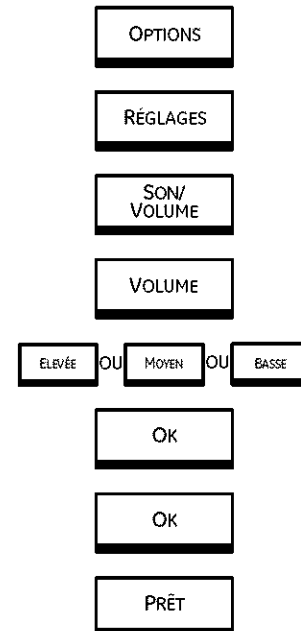
Cette option vous permet d'activer ou de désactiver le signal sonore qui se fait entendre à la pression d'une touche.

- 1 Appuyez sur **OPTIONS**.
- 2 Appuyez sur **RÉGLAGES**.
- 3 Appuyez sur **SON/VOLUME**.
- 4 Appuyez sur **SON MARCHÉ/ARRÊT**.
- 5 Appuyez sur **SON EN MARCHÉ** pour activer le signal sonore lié à la pression d'une touche ou sur **SON ARRÊT** pour désactiver ce signal.
- 6 Appuyez sur **OK**.
- 7 Appuyez sur **OK** à nouveau.
- 8 Appuyez sur **PRÊT**.

*Volume*

Cette fonction permet d'ajuster le volume à un niveau plus acceptable. Trois niveaux de volume peuvent être sélectionnés.

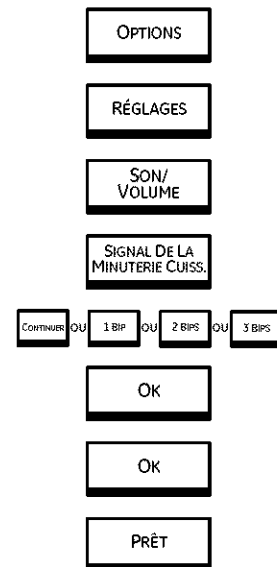
- 1 Appuyez sur **OPTIONS**.
- 2 Appuyez sur **RÉGLAGES**.
- 3 Appuyez sur **SON/VOLUME**.
- 4 Appuyez sur **VOLUME**.
- 5 Appuyez sur **ÉLEVÉE**, **MOYEN** ou **BASSE** pour le choisir le niveau du volume lié à l'enfoncement des touches.
- 6 Appuyez sur **OK**.
- 7 Appuyez sur **OK** à nouveau.
- 8 Appuyez sur **PRÊT**.



Signal de la minuterie

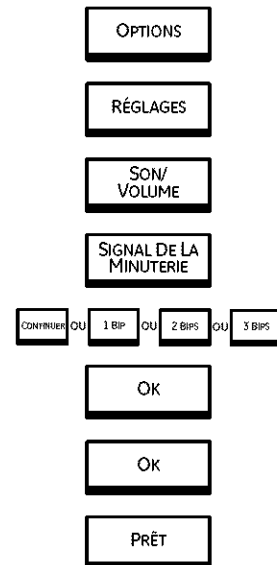
Cette option vous permet de régler le type de signal qui retentira à la fin d'un cycle minuté.

- 1 Appuyez sur **OPTIONS**.
- 2 Appuyez sur **RÉGLAGES**.
- 3 Appuyez sur **SON/VOLUME**.
- 4 Appuyez sur **SIGNAL DE LA MINUTERIE**.
- 5 Appuyez sur **CONTINUER, 1 BIP, 2 BIPS** ou **3 BIPS**.
- 6 Appuyez sur **OK**.
- 7 Appuyez sur **OK** à nouveau.
- 8 Appuyez sur **PRÊT**.

*Signal de la minuterie de cuisine*

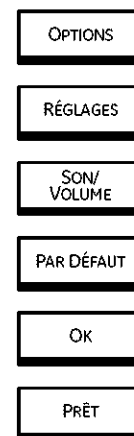
Cette option vous permet de régler le type de signal qui sera associé à la minuterie de cuisine.

- 1 Appuyez sur **OPTIONS**.
- 2 Appuyez sur **RÉGLAGES**.
- 3 Appuyez sur **SON/VOLUME**.
- 4 Appuyez sur **SIGNAL DE LA MINUTERIE**.
- 5 Appuyez sur **CONTINUER, 1 BIP, 2 BIPS** ou **3 BIPS**.
- 6 Appuyez sur **OK**.
- 7 Appuyez sur **OK** à nouveau.
- 8 Appuyez sur **PRÊT**.

*Son et volume par défaut*

Cette option vous permet de régler automatiquement tous les signaux aux réglages par défaut.

- 1 Appuyez sur **OPTIONS**.
- 2 Appuyez sur **RÉGLAGES**.
- 3 Appuyez sur **SON/VOLUME**.
- 4 Appuyez sur **PAR DÉFAUT**.
- 5 Appuyez sur **OK**.
- 6 Appuyez sur **PRÊT**.



AVANT DE NETTOYER UNE PIÈCE QUELCONQUE DU FOUR, ASSUREZ-VOUS QUE L'ALIMENTATION ÉLECTRIQUE A ÉTÉ COUPÉE ET QUE TOUTES LES SURFACES DE L'APPAREIL ONT REFROIDI.

Éléments chauffants du four

Ne nettoyez pas l'élément du gril. Toute saleté brûlera lorsque l'élément sera chauffé.

L'élément de cuisson n'est pas exposé et se trouve sous le fond du four. S'il y a des déversements ou de la cendre accumulée sur le fond du four, essuyez le tout avant l'autonettoyage.

Lèchefrite et grille

Après avoir grillé, retirez la lèchefrite et sa grille du four. Retirez la grille de la lèchefrite. Versez délicatement la graisse de la lèchefrite dans un contenant approprié. Lavez et rincez la lèchefrite et sa grille dans l'eau chaude avec un tampon à récurer de plastique ou imbibé de savon.

Si des aliments brûlés se trouvent sur la grille, saupoudrez-la de détergent tandis qu'elle est chaude et couvrez-la d'essuie-tout ou d'un linge à vaisselle. Faire tremper la lèchefrite éliminera les aliments cuits.

La lèchefrite et sa grille se lavent avec un détergent commercial pour four.

La lèchefrite et sa grille se lavent aussi au lave-vaisselle.

Ne rangez pas la lèchefrite et sa grille dans le four alors qu'elles sont sales.

MISE EN GARDE : ne nettoyez pas la lèchefrite et sa grille dans un four autonettoyant.

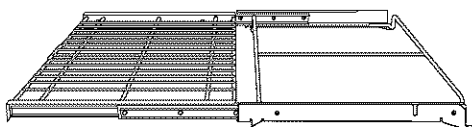


Grilles du four

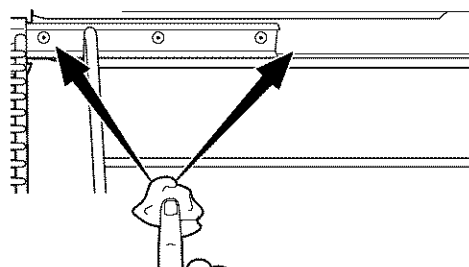
Les grilles peuvent être laissées dans le four pendant le cycle d'autonettoyage sans être endommagées.

Périodiquement, après plusieurs cycles d'autonettoyage, il peut être nécessaire de lubrifier les grilles du four à l'aide du lubrifiant au graphite accompagnant votre four mural. Pour commander du lubrifiant au graphite additionnel, appelez le Centre national des pièces au **1.800.626.2002** et mentionnez le numéro de référence **WB02T10303**.

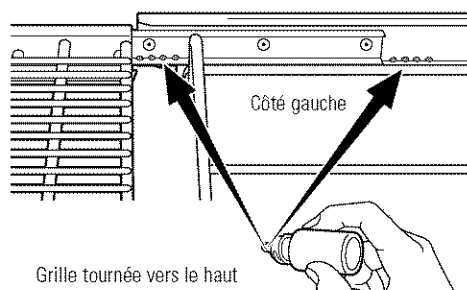
- 1 Retirez la grille du four. Reportez-vous à la section *Grilles de four à extension complète*.
- 2 Ouvrez la grille entièrement et posez-la sur une table ou un comptoir. Du papier journal peut être placé sous la grille pour faciliter le nettoyage.



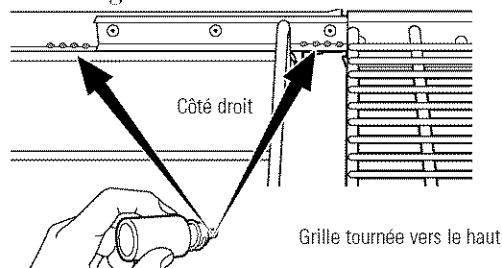
- 3 S'il y a des débris dans les glissières, essuyez-les à l'aide d'un essuie-tout. **REMARQUE** : tout lubrifiant au graphite que vous enlevez doit être remplacé.



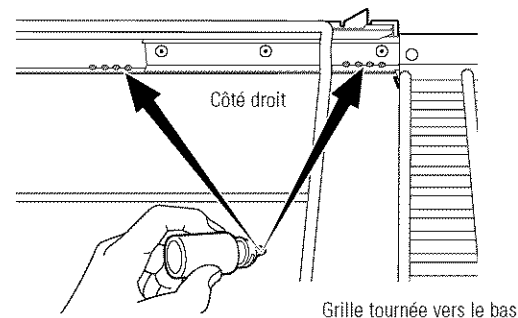
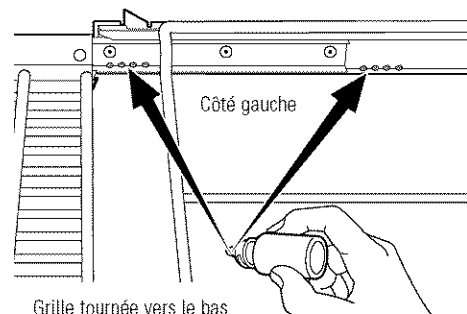
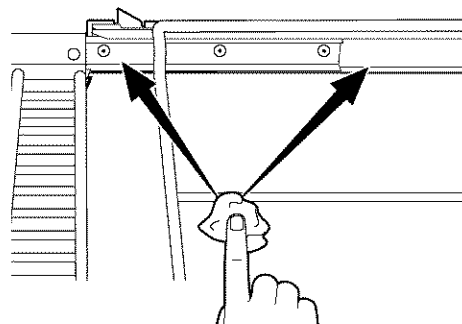
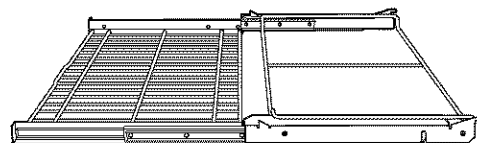
- 4 Secouez le contenant de lubrifiant au graphite avant de l'ouvrir. En commençant par le côté gauche du mécanisme de glissement de la grille, placez quatre (4) petites gouttes de lubrifiant sur les deux (2) glissières du bas près des boîtiers de roulement.



- 5 Répétez pour le mécanisme de glissement droit de la grille.



- 6 Ouvrez et refermez la grille plusieurs fois afin de répartir le lubrifiant.
- 7 Remplacez le capuchon sur le contenant de lubrifiant et secouez-le encore une fois. Retournez la grille et répétez les étapes 3, 4, 5 et 6.



- 8 Fermez la grille, retournez la grille vers le haut et replacez-la dans le four. Reportez-vous à la section *Grilles de four à extension complète*.
- 9 Répétez les étapes ci-dessus pour chaque grille.

REMARQUE : ne vaporisez pas de Pam® ou tout autre lubrifiant à vaporiser.

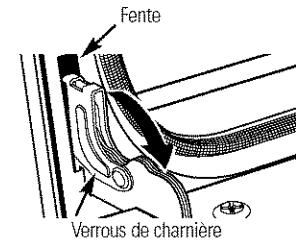
Enlèvement de la porte du four en la soulevant — enlèvement

La porte est très lourde. Faites attention quand vous l'enlevez ou vous la soulevez.

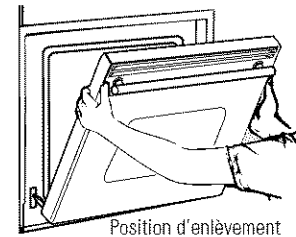
Ne soulevez jamais la porte par sa poignée.

Enlèvement de la porte :

- 1 Ouvrez complètement la porte.
- 2 Tirez les verrous de charnières vers l'armature de la porte, en position déverrouillée. Un outil, comme un tournevis à lame plate, peut être nécessaire.
- 3 Tenez fermement les deux côtés **du haut** de la porte.
- 4 Refermez la porte à la position d'enlèvement de la porte, ce qui veut dire presque complètement et soulevez-la vers le haut puis vers l'extérieur jusqu'à ce que le bras d'articulation soit entièrement sorti de la rainure.

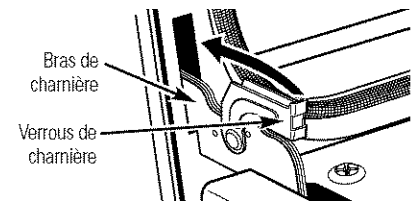
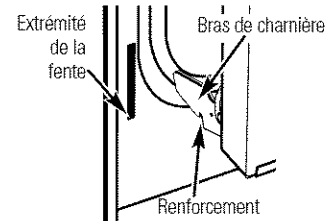


Tirez en bas les verrous des charnières pour déverrouiller.



Remise en place de la porte :

- 1 Tenez fermement les deux côtés **du haut** de la porte.
- 2 Avec la porte au même angle que pour l'enlever, mettez le renforcement du bras de charnière dans l'arête du bas de la fente de charnière. Le renforcement du bras de charnière doit être bien installé dans le bas de la fente.
- 3 Ouvrez complètement la porte.
Si la porte n'est pas complètement ouverte, l'indentation ne repose pas bien à l'extrémité inférieure de la fente.
- 4 Poussez les verrous de charnière contre l'armature de devant du trou du four, en position verrouillée.
- 5 Fermez la porte du four.



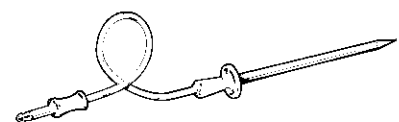
Poussez vers le haut les verrous des charnières pour verrouiller.

Sonde

Lavez la sonde thermique avec de l'eau savonneuse ou un tampon à récurer savonneux. Laissez refroidir la sonde avant de la laver. Faites disparaître les taches tenaces avec un tampon à récurer savonneux, puis rincez et séchez.

Ne plongez pas la sonde thermique dans l'eau.

Ne rangez pas la sonde thermique dans le four.



Ampoules du four

Chaque four est muni de deux unités d'ampoule à halogène situées sur les parois latérales du four. Les ampoules s'allument lorsque la porte est ouverte ou lorsque le four exécute un cycle de cuisson. Les ampoules du four ne s'allument pas pour le cycle d'autonettoyage ou si le four est réglé à la fonction du sabbat.

Chaque unité d'ampoule comprend un couvercle de lampe amovible sur lequel se trouvent deux mécanismes de verrouillage, un compartiment de lampe dans lequel se trouvent trois culots et trois ampoules à halogène.

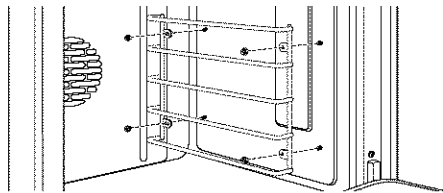
MISE EN GARDE : avant de remplacer une ampoule, débranchez l'alimentation électrique au four à même le panneau de fusibles ou de disjoncteurs.

Assurez-vous de laisser le couvercle et l'ampoule refroidir complètement.

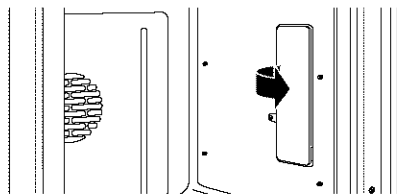
Pour votre sécurité, ne manipulez pas d'ampoule chaude à mains nues ou avec un chiffon humide.

Pour retirer :

- 1 Retirez les grilles du four. Reportez-vous à la section *Grilles de four à extension complète*.
- 2 À l'aide d'une clé à molette, retirez les quatre écrous qui maintiennent le support à grille par-dessus l'unité de la lampe.

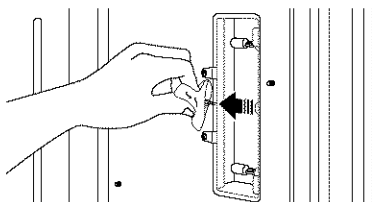


- 3 Retirez le couvercle de lampe en verre en tirant vers l'extérieur son rebord arrière et en le faisant rouler vers vous. Ne retirez aucune vis.



REMARQUE : les pinces de fixation pourraient tomber du couvercle de verre. Après le remplacement, elles devront être placées dans la bonne position sur le couvercle de la lampe et réinsérées dans le compartiment de la lampe en les enfonceant bien en place.

- 4 Portez des gants ou utilisez un chiffon propre et retirez l'ampoule grillée en tirant pour la faire sortir.



Pour remplacer :

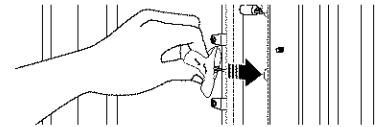
Utilisez une nouvelle ampoule à halogène de 120 volts, à broches G8, sans dépasser 25 watts.

Les ampoules de remplacement peuvent être achetées en appelant le 800.626.2002. Numéro de pièce : **WB25T10064**.

REMARQUE : les ampoules d'intensité supérieure endommageront votre four.

Portez des gants ou utilisez un chiffon propre et retirez l'ampoule de son emballage. **Ne touchez pas l'ampoule à doigts nus.** L'huile de vos doigts peut causer des points chauds sur la surface de verre et causer le grillage prématuré de l'ampoule. Si vous touchez le verre, nettoyez-le avec de l'alcool avant l'installation.

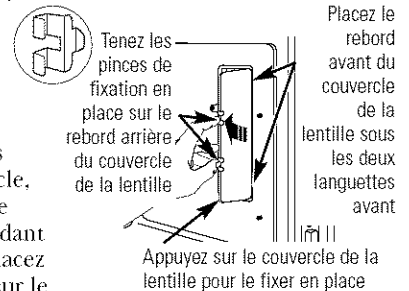
- 1 Enfoncez l'ampoule dans le culot jusqu'au fond.



- 2 Remplacez le couvercle de la lampe, en plaçant son bord avant sous les deux languettes dans le compartiment de la lampe. Roulez le rebord arrière en place, en prenant soin de vous assurer qu'il appuie bien en place.

REMARQUE :

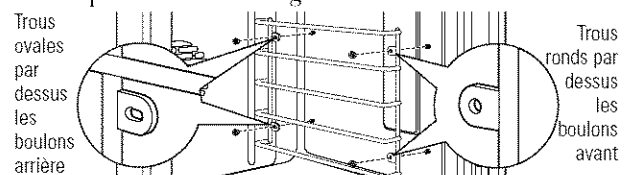
si les pinces de fixation sont tombées du couvercle de la lentille, maintenez-les sur le couvercle, dans la bonne position, pendant que vous remplacez le couvercle sur le compartiment de la lampe.



Le couvercle de la lampe doit être en place lorsque le four est mis en marche.

Pour un meilleur éclairage à l'intérieur du four, nettoyez fréquemment le couvercle vitré à l'aide d'un chiffon humide. Cela devrait être fait lorsque le four est éteint, débranché de l'alimentation et complètement refroidi.

- 3 Remplacez le support à grille de manière à ce que les trous ovales se retrouvent par-dessus les boulons arrière et les trous ronds par-dessus les boulons avant. Fixez légèrement à l'aide des quatre écrous que vous avez retirés précédemment, mais ne serrez pas trop car cela pourrait endommager l'émail.



- 4 Remplacez les grilles. Reportez-vous à la section *Grilles de four à extension complète*.
- 5 Rebranchez le courant électrique au four.

Pour nettoyer la porte

L'intérieur de la porte :

- Puisque la section à l'intérieur du joint se nettoie durant le cycle d'autonettoyage, aucun besoin de le nettoyer à la main. Tout savon laissé sur la doublure pourra causer des taches additionnelles lorsque le four est chauffé, alors assurez-vous de bien la rincer.
- La section à l'extérieur du joint se nettoient avec un tampon à récurer de rempli de savon.
- **Vous ne devez ni frotter ni nettoyez le joint de porte;** le matériau de fibre de verre du joint a une très faible résistance à l'abrasion. Un joint de porte intact et bien ajusté est essentiel pour obtenir un bon rendement énergétique et de bons résultats de cuisson Si vous remarquez qu'il devient usé, s'effiloche, est endommagé de quelque façon ou a été déplacé sur la porte, vous devriez le remplacer.

L'extérieur de la porte :

- En fonction de votre modèle, reportez-vous à la section *Surfaces en acier inoxydable* ou *Surfaces peintes*.

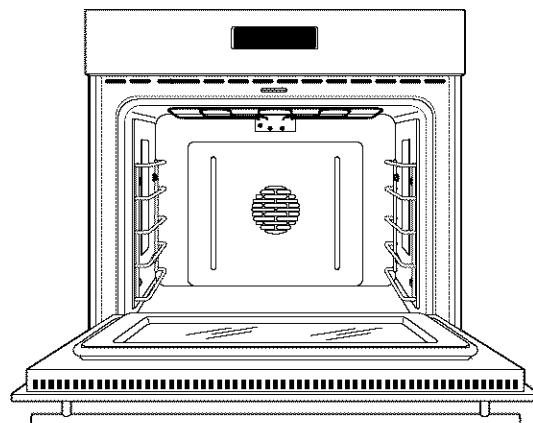


Tableau de commande

Il est conseillé d'essuyer le tableau de commande après chaque utilisation. Nettoyez-le avec un savon doux et de l'eau, ou une solution d'eau et de vinaigre. Rincez à l'eau claire et essuyez avec un linge doux. Pour nettoyer le tableau de contrôle, vous devez le laisser à température ambiante, et ne pas l'exposer directement au soleil. L'utilisation d'autres nettoyants liquides n'est pas recommandée – le dépôt résiduel pourrait affecter le fonctionnement de contrôle.

N'utilisez pas de produits nettoyants abrasifs, de produits nettoyants liquides puissants, de tampons à récurer en plastique ou de produits nettoyants commerciaux pour le four sur le tableau de commande—ces produits endommageront le fini.

Une solution contenant autant d'eau chaude que de vinaigre est la meilleure.

Surfaces en acier inoxydable (sur certains modèles)

N'utilisez pas de tampons de laine d'acier; ils pourraient rayer la surface.

Pour nettoyer la surface en acier inoxydable, utilisez de l'eau chaude savonneuse ou un produit nettoyant ou cire à acier inoxydable. Essuyez toujours la surface dans le sens du grain. Suivez les instructions du produit nettoyant pour nettoyer la surface en acier inoxydable.

Pour savoir comment acheter le produit nettoyant ou la cire pour appareils électroménagers en acier inoxydable, ou pour connaître les coordonnées du détaillant le plus près de chez vous, veuillez appeler notre numéro sans frais : 1.800.561.3344 ou visitez notre site Web monogram.com.

Surfaces peintes (sur certains modèles)

Les surfaces peintes incluent la porte, le dessus du tableau de commande et l'avant du tiroir. Nettoyez-les avec du savon et de l'eau ou une solution de vinaigre et d'eau.

N'utilisez pas de nettoyant commercial pour le four, de poudres de nettoyage, de laine d'acier ou d'abrasifs forts sur quelque surface peinte que ce soit.

*Économisez
du temps et
de l'argent!*

*Consultez d'abord
les conseils de
dépannage des pages
qui suivent. Vous
pourriez vous éviter
d'appeler un
réparateur.*

PROBLÈME	CAUSE PROBABLE
LE FOUR NE FONCTIONNE PAS	<ul style="list-style-type: none"> • Un fusible peut être grillé ou un disjoncteur peut être déclenché dans le panneau de votre résidence. • Les commandes du four ne sont pas réglées correctement. • Les commandes du four sont réglées pour l'autonettoyage. Si besoin est, laissez le four refroidir; ouvrez ensuite la porte.
LA LAMPE DU FOUR NE S'ALLUME PAS	<ul style="list-style-type: none"> • La lampe est défectueuse. Remplacez l'ampoule. • Le four effectue un cycle d'autonettoyage ou il est réglé sur la fonction Sabbath. Les lampes du four ne s'allument pas pendant l'autonettoyage ou si le four est réglé à la fonction Sabbath. • La touche qui actionne la lampe du four est défectueuse. Appelez un réparateur.
CUISSON OU RÔTISSAGE INADÉQUATS DES ALIMENTS DANS LE FOUR	<ul style="list-style-type: none"> • Les commandes du four ne sont pas réglées correctement. Reportez-vous à la section <i>Cuisson</i> ou <i>Rôtissage</i>. • Le four n'a pas préchauffé suffisamment longtemps (laisser environ 10 à 15 minutes). • Des plats de cuisson ne convenant pas ou des plats de cuisson de mauvaise taille sont utilisés. Reportez-vous à la section <i>Positionnement des plats</i>. • Les grilles sont dans la mauvaise position. Reportez-vous à la section <i>Cuisson</i> ou <i>Rôtissage</i>. • Recouvrez les aliments de papier d'aluminium pour ralentir le brunissage lors du rôtissage. • Le thermostat du four doit être ajusté. Reportez-vous à la section <i>Réglage de la commande de température</i>.
GRILLAGE INADÉQUATS DES ALIMENTS DANS LE FOUR	<ul style="list-style-type: none"> • Ce modèle est conçu pour une porte fermée. Fermez la porte. Grillez toujours avec la porte fermée. • Les commandes du four ne sont pas réglées correctement. Reportez-vous à la section <i>Grillage</i>. • La sonde est branchée dans le four. Enlevez la sonde du four. • Grille placée à une hauteur inadéquate. • Aliments cuits dans un plat de cuisson chaud. Utilisez la lèchefrite et sa grille comprises avec votre four. • Plat de cuisson qui ne convient pas au grillage. Utilisez la lèchefrite et sa grille comprises avec votre four. • Le papier d'aluminium utilisé sur la lèchefrite et sa grille n'a pas été ajusté correctement et n'a pas été fendu tel que recommandé. • Dans certaines régions, la tension de l'alimentation peut être basse. Faites préchauffer l'élément chauffant environ 10 à 15 minutes.
LE PROGRAMME D'AUTONETTOYAGE NE FONCTIONNE PAS	<ul style="list-style-type: none"> • La température du four est trop élevée pour pouvoir régler un autonettoyage. Laissez la température du four descendre sous la température de verrouillage et refaites le réglage des commandes. • Commandes mal réglées. Voir la section <i>Four autonettoyant</i>. • La sonde est branchée dans la prise du four. Retirez la sonde du four.
SONS DE « CREPITEMENT » OU « D'ÉCLATEMENT » AU COURS DE L'AUTONETTOYAGE	<ul style="list-style-type: none"> • Ce phénomène est normal. Ces bruits sont produits par le métal sous l'effet de la chaleur et du refroidissement pendant les fonctions de cuisson et d'autonettoyage.
FUMÉES EXCESSIVES AU COURS DE L'AUTONETTOYAGE	<ul style="list-style-type: none"> • Quantité excessive de saleté. Appuyez sur CLEAR/OFF (EFFACER/ARRÊT). Ouvrez les fenêtres pour dissiper la fumée. Attendez que le message FOUR VERROUILLÉ soit éteint. Essayez l'excès de saleté, et programmez à nouveau l'autonettoyage.
LE FOUR N'EST PAS PROPRE APRÈS L'AUTONETTOYAGE	<ul style="list-style-type: none"> • Le four était très sale. Essayez le surplus de saleté avant de programmer l'autonettoyage. Lorsque le four est très sale, il peut être nécessaire de programmer un autre autonettoyage. • Le four est branché à une source d'alimentation électrique de 208 V. Réglez le temps d'autonettoyage à 5 heures. • Les commandes du four ne sont pas réglées correctement. Voir la section <i>Four autonettoyant</i>.
LES GRILLES DU GLISSENT DIFFICILEMENT	<ul style="list-style-type: none"> • Les grilles ont été nettoyées à l'aide du cycle d'autonettoyage et il est maintenant temps d'effectuer une lubrification périodique. Ne les vaporisez pas de Pam® ou d'un autre lubrifiant à vaporiser. Reportez-vous à la section <i>Grilles de four à extension complète</i> de la section <i>Entretien et nettoyage</i>.

*Économisez
du temps et de
l'argent!*

PROBLÈME	CAUSE PROBABLE
L'ÉCRAN SE "REVEILLE" SANS LE TOUCHER	<ul style="list-style-type: none"> L'écran est équipé avec une technologie de sensibilité qui se "réveille" lorsque vous vous approchez (ou votre main s'approche) de l'écran tactile. L'écran est sensible et peut se réveiller lorsqu'on allume la lumière ou suite à des mouvements de personnes ou d'objets à proximité. L'écran devrait retourner au mode standby après 10 minutes si aucune interaction ne survient.
L'HORLOGE ET LA MINUTERIE NE FONCTIONNENT PAS	<ul style="list-style-type: none"> Un fusible peut être grillé ou un disjoncteur peut être déclenché dans le panneau de votre résidence. Remplacez le fusible ou réenclenchez le disjoncteur. Les commandes du four ne sont pas réglées correctement. Voir les sections <i>Pour régler l'horloge</i> et <i>Pour régler la minuterie et Verrouillage des commandes</i>.
TEMPÉRATURE TROP ÉLEVÉE OU TROP BASSE DANS LE FOUR	<ul style="list-style-type: none"> La commande de température du four doit être réglée. Voir la section <i>Réglage du thermostat du four</i>.
LA PORTE NE S'OUVRE PAS APRÈS L'AUTONETTOYAGE	<ul style="list-style-type: none"> Le four est trop chaud. Laissez la température du four descendre sous la température de verrouillage.
LE MESSAGE VERROUILLER LA PORTE CLIGNOTE À L'ÉCRAN	<ul style="list-style-type: none"> Vous avez programmé l'autonettoyage mais n'avez pas fermé la porte. Fermez la porte du four.
LE MESSAGE <i>FOUR VERROUILLÉ S'ALLUME</i> LORSQUE VOUS DÉSIRÉZ EFFECTUER UNE CUISSON	<ul style="list-style-type: none"> La porte du four est verrouillée parce que la température dans le four n'est pas descendue sous la température de verrouillage. Appuyez sur CLEAR/OFF (EFFACER/ARRÊT). Laissez le four refroidir.
L'ÉCRAN D'AFFICHAGE N'EST PAS ALLUMÉ	<ul style="list-style-type: none"> Un fusible peut être grillé ou un disjoncteur peut être déclenché dans le panneau de votre résidence. Remplacez le fusible ou réenclenchez le disjoncteur. L'horloge est réglée au mode d'extinction. Voir la section <i>Options – Réglages</i>.
L'ÉCRAN D'AFFICHAGE CLIGNOTE	<ul style="list-style-type: none"> Panne de courant. Réglez à nouveau l'horloge.
LE MESSAGE «SONDE» EST AFFICHÉ À L'ÉCRAN	<ul style="list-style-type: none"> Ce message vous rappelle d'entrer une température interne après avoir branché la sonde. Entrez une température interne.
PANNE DE COURANT, L'HORLOGE CLIGNOTE	<ul style="list-style-type: none"> Panne de courant ou surtension. Réglez à nouveau l'horloge. Si le four était en fonctionnement, vous devez le régler de nouveau en appuyant sur CLEAR/OFF (EFFACER/ARRÊT), en réglant l'horloge et en programmant à nouveau la fonction de cuisson qui était en cours.
DE LA VAPEUR S'ÉCHAPPE PAR L'ÉVENT	<ul style="list-style-type: none"> À la cuisson par convection, il est normal que de la vapeur s'échappe par l'évent du four. Plus le nombre de grilles utilisées ou la quantité d'aliments dans le four augmente, plus il y a de vapeur visible qui s'échappe.
ODEUR DE «BRÛLÉ» OU «D'HUILE» PROVENANT DE L'ÉVENT	<ul style="list-style-type: none"> Ce phénomène est normal lorsque le four est neuf et disparaîtra avec le temps.
FORTES ODEURS	<ul style="list-style-type: none"> Ce phénomène est temporaire. Les premières fois que vous utilisez le four, il est normal de sentir une odeur provenant de l'isolant qui se trouve à l'intérieur du four.
BRUIT DE VENTILATEUR	<ul style="list-style-type: none"> C'est normal. Le ventilateur de refroidissement se mettra en marche pour refroidir les pièces internes. Il peut fonctionner après le four éteint. Le ventilateur de convection se mettra en marche et s'arrêtera jusqu'à ce que la fonction de cuisson par convection soit terminée ou que la porte soit ouverte.
UN SIGNAL SONORE SE FAIT ENTENDRE APRÈS AVOIR ENTRE UNE DURÉE DE CUISSON OU UNE HEURE DE MISE EN MARCHÉ DIFFÉRÉE	<ul style="list-style-type: none"> Vous avez oublié d'entrer une température de cuisson ou une durée de nettoyage. Appuyez sur CUISSON et entrez la température désirée, ou appuyez sur AUTONETTOYAGE et entrez la durée de nettoyage désirée.
F— ET UN CHIFFRE OU UNE LETTRE CLIGNOTENT	<ul style="list-style-type: none"> Il s'agit d'un code d'erreur. Appuyez sur CLEAR/OFF (EFFACER/ARRÊT). Laissez une lettre clignoter le four refroidir pendant une heure. Remettez le four à l'écran en marche. Si le code d'erreur est de nouveau affiché, coupez l'alimentation électrique du four pendant au moins 30 secondes, puis rétablissez l'alimentation électrique. Si le code d'erreur est de nouveau affiché, appelez un réparateur.
LES TOUCHES DE CONTRÔLE S'ACTIVENT OU L'ÉCRAN LCD CHANGE D'AFFICHAGE LORSQUE J'OUVRE LA PORTE DU FOUR	<ul style="list-style-type: none"> Le tableau de commande est sale ou il existe un dépôt résiduel, issu des nettoyeurs liquides. Nettoyez le panneau de contrôle avec une solution aqueuse vinaigrée, puis astiquez avec un chiffon doux. (Voir la section <i>Nettoyage et entretien</i>.)

Avec l'achat de votre nouvel appareil Monogram, vous recevez aussi l'assurance que si vous avez besoin d'information ou d'aide de notre part, nous serons là pour vous. Vous n'avez qu'à appeler le numéro sans-frais!

GE Answer Center®

1.800.561.3344

Peu importe votre question au sujet des appareils électroménagers Monogram, le GE Answer Center® est là pour vous aider. Vous aurez les réponses à vos questions rapidement et de manière courtoise. Vous pouvez appeler en tout temps. Le GE Answer Center® est ouvert 24 heures par jour, du lundi au samedi.

OU

Visitez notre site Web au : monogram.com

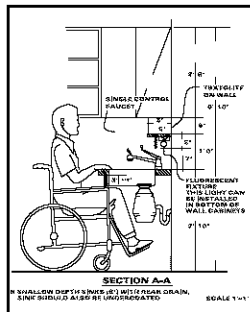
Le service de réparation In-Home

1.800.561.3344

Dans l'éventualité où votre électroménager Monogram nécessiterait une réparation, vous pouvez vous fier au Service préférentiel Monogram. Composez simplement le 1.800.561.3344 pour planifier un visite de service avec nos spécialistes du Service préférentiel Monogram, disponibles de 7 h à 20 h HE du lundi au vendredi, et de 8 h à 17 h HE le samedi.

Pour les clients aux besoins spéciaux...

Aux États-Unis : 800.626.2000



GE met à votre disposition une brochure pour vous aider dans l'aménagement d'une cuisine adaptée aux personnes à mobilité réduite.

Les clients malentendants ou ayant des difficultés d'élocution et qui ont accès à un ATME ou à un téléimprimeur traditionnel peuvent appeler le 1.800.TDD.GEAC (1.800.833.4322) pour demander de l'information ou des services.

Contrats de service

1.800.561.3344

Ne vous inquiétez pas non plus pour le service après la fin de votre garantie, GE Consumer Service (service à la clientèle) sera encore là pour vous. Achetez un contrat de GE avant la fin de votre garantie et profitez d'un rabais important. Avec un contrat de plusieurs années, vous êtes assuré d'avoir les prix actuels pour le service à l'avenir.

Pièces et accessoires

1.800.561.3344

Les personnes qualifiées pour la réparation de leurs propres appareils peuvent faire envoyer directement les pièces ou les accessoires à leur résidence. Le système de pièces GE offre un accès à plus de 47 000 pièces et toutes les pièces de rechange authentiques de GE sont entièrement garanties. Nous acceptons les cartes de crédit Visa, Mastercard et Discover.

Les instructions de maintenance de l'utilisateur dans ce manuel couvrent les procédures à effectuer par tout utilisateur. Tout autre entretien ou toute réparation doivent être confiés à du personnel qualifié. Il faut être prudent puisqu'un mauvais entretien ou une mauvaise réparation pourraient rendre dangereux le fonctionnement de l'appareil.

LA GARANTIE DE VOTRE FOUR MURAL MONOGRAM

Agrafez votre reçu ou votre chèque encaissé ici. La preuve de date d'achat original est nécessaire pour obtenir le service sous garantie. Veuillez avoir le numéro de série et de modèle sous la main lorsque vous appelez notre service de réparations.

CE QUI EST COUVERT

À partir de la date d'achat original

GARANTIE LIMITÉE D'UN AN

Pour une durée d'un an à partir de la date d'achat originale, nous fournirons, sans frais, les pièces et la main-d'œuvre à votre domicile pour la réparation et le remplacement de **toute pièce du four** défectueuse en raison d'un défaut de fabrication.

.....
 Cette garantie est offerte à l'acheteur original et à tout autre propriétaire pour les produits achetés pour une utilisation résidentielle dans les 48 États continentaux, Hawaii, Washington (D.C.) et Canada. Si l'appareil se trouve dans une zone où le service de réparations autorisé n'est pas disponible, des frais de déplacement pourraient s'ajouter ou vous pourriez devoir apporter l'appareil à un réparateur autorisé. En Alaska, la garantie est la même sauf que vous devez payer l'expédition du produit à l'atelier de service ou le coût du voyage d'un technicien de service chez vous.

Tout le service sous garantie est fourni par nos Centres de service en usine ou par un technicien de Customer Care® autorisé durant les heures normales de travail.

S'il devient nécessaire de réparer votre appareil, au cours de la période de garantie ou après, appelez le 1.800.561.3344.

CE QUI N'EST PAS COUVERT

- Les déplacements du service pour vous enseigner comment utiliser le produit.
 - Remplacement des fusibles résidentiels ou réinitialisation des disjoncteurs.
 - Tout dommage au produit à la suite d'un accident, incendie, inondation ou force majeure.
 - Tout dommage après livraison.
 - Défaillance du produit à la suite d'un abus, d'une mauvaise utilisation, d'une utilisation à des fins autres que celles prévues ou à une utilisation commerciale.
 - Mauvaise installation, livraison ou maintenance.
- Si vous éprouvez des problèmes avec l'installation, communiquez avec votre vendeur ou avec l'installateur. Il vous incombe de fournir les prises adéquates pour l'électricité, le gaz, l'évacuation et les autres raccords, telles que décrites dans les Instructions d'installation fournies avec ce produit.
- Dommages indirects ou consécutifs causés par des défauts possibles de l'appareil.
 - Produit non accessible pour faire les réparations nécessaires.

EXCLUSION DES GARANTIES TACITES : Votre seule et unique voie de droit est la réparation du produit aux termes de la présente garantie limitée. Toutes les garanties tacites, y compris les garanties de valeur marchande ou d'adéquation à un usage particulier, sont limitées à une durée d'un an, ou à la durée la plus courte autorisée par la loi en vigueur.

Certains états/provinces n'acceptent pas d'exclusion ou de limites aux dommages indirects et consécutifs, il se peut donc que l'exclusion précédente ne s'applique pas dans votre cas. Cette garantie vous donne des droits juridiques précis et vous pourriez aussi avoir d'autres droits qui varient d'une juridiction à l'autre. Pour connaître vos droits juridiques dans votre état/province, consultez votre bureau des affaires aux consommateurs local ou d'état/province ou l'avocat général de votre état/province.

Garant aux É.-U. : General Electric Company,
Louisville, KY 40225

Garant au Canada : Mabe Canada Inc.



GE Consumer & Industrial
Appliances
General Electric Company
Louisville, KY 40225
ge.com

Introducción

Su nuevo horno de pared Monogram brinda una impresión elocuente de estilo, conveniencia y flexibilidad para el diseño de su cocina. Ya sea que lo elija por su pureza de diseño, atención minuciosa a los detalles, o por ambas razones, descubrirá que la combinación superior de formas y funciones de su horno de pared Monogram lo deleitará por años.

Este horno fue diseñado para brindar flexibilidad ya que se ajusta al modelo del gabinete de su cocina. Su elegante diseño puede integrarse maravillosamente en su cocina.

La información en las siguientes páginas lo ayudará a manejar y mantener adecuadamente su horno de pared.

Contents

Cuidado y limpieza

Asadera y rejilla	145
Luces del horno	148
Panel de control	149
Parrillas	146
Puerta del horno	147, 149
Sonda	147
Superficies de acero inoxidable	149

Servicio al cliente

Garantía	156
Instrucciones de seguridad	107–109
Modelo y número de serie	106
Números de teléfono importantes	155
Registro del producto	106, 153, 154
Solución de problemas	150, 151

Horno

Asado	114
Asado a la parrilla	117, 118
Ayuda	139
Bloqueo de control	128
Calentar	134–135
Configuración de opciones	140–144
Adaptación auto de recetas	142
Apagado automático 12 Hr	141
Apagado del reloj	141
Color de la pantalla	142
Encender/apagar sonido	143
Idioma	142

Reloj	140
Selección de temperatura Fahrenheit o Celsius	141
Señal del contad. cocinar	144
Señal del contad. tiempo	144
Sonido/volumen predefinido	144
Termostato	140
Volumen del sonido	143
Contador de tiempo	128
Controles	111
Convección	121–124
Fermentar	133
Horneado	114
Horneado y asado con convección por tiempo	125–126
Horneado y asado por tiempo	115, 116
Horno	110–112
Horno autolimpieza	129–132
Opción cocinar y calentar	137
Opción de comienzo demorado	138
Opción de modo Sabático	139
Opción deshidratar	137
Opción dos temp	136
Papel de aluminio	112, 117
Parrillas	113
Recetas favoritas	127
Sonda	119, 120, 123

Cómo retirar la película protectora y la cinta adhesiva de empaque

Tome cuidadosamente una esquina de la película protectora y despéguela lentamente de la superficie del aparato. No use ningún objeto puntiagudo para retirar la película. Retire toda la película antes de usar el aparato por primera vez.

Para asegurarse de no dañar el acabado del producto, la manera más segura de retirar el adhesivo de la cinta de empaque sobre aparatos nuevos es la aplicación de un detergente doméstico líquido para lavar platos. Aplique con un paño suave y moje.

NOTA: debe retirar el adhesivo de todas las partes. No puede retirarse si se quema.

Información para los clientes

Horno de pared

Antes de utilizar su horno de pared

Lea detenidamente este manual, ya que lo ayudará a operar y mantener en buenas condiciones su nuevo horno de pared.

Téngalo a mano para consultar cualquier duda.

Si no entiende algún punto o necesita más ayuda, hay una lista de números gratuitos de atención al cliente en la última sección del manual.

O

Visite nuestro sitio web en: **monogram.com**

Anote los números de modelo y serie

Los encontrará en una etiqueta sobre la banda izquierda frontal de la puerta del horno.

Complete los datos y envíe la Tarjeta de registro del producto del cliente que viene con el producto.

Antes de enviar esta tarjeta, anote estos números aquí:

Número de modelo

Número de serie

Utilice estos números en cualquier correspondencia o llamada de servicio relacionada con su horno de pared.

Si recibe un horno de pared dañado

Comuníquese inmediatamente con el distribuidor (o fabricante) que le vendió el producto.

Ahorre tiempo y dinero

Antes de solicitar servicio técnico, consulte la sección *Solución de problemas* al final de este manual.

Se enumeran causas de problemas menores de funcionamiento que puede corregir usted mismo.

Si necesita servicio técnico

Para obtener servicio técnico, consulte la página de "Servicios al cliente" al final de este manual.

Estamos orgullosos de nuestro servicio y queremos que se sienta satisfecho. Si por alguna razón no está conforme con el servicio que recibe, puede seguir los dos pasos siguientes para obtener ayuda adicional.

EN PRIMER LUGAR, comuníquese con la gente que revisó su aparato. Explique la razón de su disconformidad. En la mayoría de los casos, esto solucionará el problema.

LUEGO, si aún no está conforme, escriba todos los detalles, incluyendo su número de teléfono, a:

Manager, Customer Relations
GE Appliances
Appliance Park
Louisville, KY 40225

INSTRUCCIONES IMPORTANTE DE SEGURIDAD

AVISO IMPORTANTE DE SEGURIDAD

- **La Ley de Aplicación de la Legislación sobre Tóxicos y Agua Potable Segura** exige al Gobernador de California publicar una lista de las sustancias que el Estado sabe que causan cáncer, defectos congénitos u otros daños reproductivos; además, exhorta a las empresas a que adviertan a los clientes sobre la potencial exposición a dichas sustancias.
- **El aislamiento de fibra de vidrio de los hornos autolimpiantes despiden una pequeña cantidad de monóxido de carbono durante el ciclo de limpieza.** La exposición a esta sustancia puede minimizarse si se deja una ventana abierta o se utiliza un ventilador o campana de ventilación.
- **IMPORTANTE:** la salud de algunos pájaros es extremadamente sensible a los gases despididos durante el ciclo de autolimpieza de cualquier horno. Traslade los pájaros a otra habitación bien ventilada.

PRECAUCIONES DE SEGURIDAD

Cuando utilice electrodomésticos, debe tomar precauciones básicas de seguridad, incluyendo las siguientes:

- **Asegúrese de retirar todo el material de embalaje del horno** antes de ponerlo en funcionamiento a fin de evitar incendios o daños causados por el humo en caso de que el material de embalaje coja fuego.
- **Use este aparato únicamente para los fines** descritos en este Manual del propietario.
- **Cerciórese de que su aparato esté correctamente instalado y conectado** por un técnico calificado de acuerdo con las instrucciones de instalación provistas.
- **Asegúrese que el horno esté instalado como es debido, es decir, en un gabinete que esté firmemente amurado a la estructura de la casa.** Nunca permita que alguien se trepe, se siente, se pare o se cuelgue de la puerta del horno.
- **Pida al instalador que le muestre la ubicación del cortacircuitos o fusible.** Márquelo para una referencia fácil.
- **No intente reparar ni reemplazar ninguna pieza de su horno a menos que en este manual se recomiende tal acción de manera específica.** Todos los demás servicios deben referirse a un técnico calificado.
- **Indique a los niños que no jueguen con los controles** ni ninguna otra pieza del horno.
- **Nunca deje la puerta del horno abierta** cuando no lo esté mirando.
- **Siempre mantenga las toallas para platos, guantes para cacerolas y otros objetos de tela a una distancia segura de su horno.**
- **Para su seguridad, nunca use su aparato para calentar la habitación.**
- **No almacene materiales inflamables en el horno.**
- **Siempre mantenga los utensilios de madera y plástico, así como los alimentos enlatados, a una distancia segura de su horno.**
- **Siempre mantenga los tapices, las cortinas o los paños combustibles a una distancia segura de su horno.**
- **NO ALMACENE NI UTILICE MATERIALES COMBUSTIBLES, GASOLINA NI OTROS VAPORES Y LÍQUIDOS INFLAMABLES CERCA DE ÉSTE O DE CUALQUIER OTRO APARATO.**
- **No deje que se acumule grasa de la cocción ni otro material inflamable dentro o cerca del horno de pared.**
- **No use agua para extinguir los incendios ocasionados por la grasa.** Nunca tome una cacerola que se esté quemando. Apague los controles.

Las llamas del horno pueden eliminarse por completo si cierra la puerta del horno y lo apaga, o bien si utiliza un extintor de polvo químico seco o de espuma.

INSTRUCCIONES IMPORTANTE DE SEGURIDAD

PRECAUCIONES DE SEGURIDAD

- **No use papel de aluminio para cubrir el fondo del horno, excepto que así se sugiera en el manual.** La colocación incorrecta del papel de aluminio puede provocar una descarga eléctrica o incendio.
- **Cocine los diferentes tipos de carne en su totalidad.** La carne debe alcanzar, al menos, una temperatura INTERNA de 160 °F, mientras que la de aves debe registrar una temperatura INTERNA de 180 °F aproximadamente. La cocción a estas temperaturas ofrece protección contra enfermedades de transmisión en los alimentos.
- **Antes de realizar cualquier tarea, DESCONECTE EL SUMINISTRO DE ENERGÍA DEL HORNO DESDE EL PANEL DE DISTRIBUCIÓN DE LA CASA. PARA ELLO, RETIRE LOS FUSIBLES O APAGUE EL INTERRUPTOR DE ENERGÍA.**
- **No deje solos a los niños;** siempre deben estar acompañados por un adulto si se encuentran en un área donde un aparato está en uso. No se les debe permitir sentarse o pararse sobre ninguna de las partes del aparato.
- **No toque las piezas de calentamiento ni la superficie interna del horno.** Estas superficies podrían estar lo suficientemente calientes como para quemar aún si están oscuras. Durante y luego del uso, no toque el interior del horno ni permita que telas u otro material inflamable entre en contacto con esta parte; primero espere hasta que se enfríe lo suficiente.

Las superficies potencialmente calientes incluyen las aberturas de ventilación del horno y las superficies cercanas a las aberturas, hendiduras alrededor de la puerta del horno, los extremos de la ventana de la puerta y las piezas de metal sobre la puerta.

Recuerde: la superficie interna del horno puede estar caliente cuando la puerta está abierta.

- **PRECAUCIÓN: LOS OBJETOS DE INTERÉS DE LOS NIÑOS NO DEBEN ALMACENARSE EN GABINETES ENCIMA DE UN HORNO YA QUE PUEDE SER MUY PELIGROSO QUE LOS NIÑOS SE TREPEN HASTA ALLÍ PARA BUSCARLOS.**
- **Nunca use vestimenta floja o que cuelgue mientras usa el aparato.** Tenga cuidado al tomar los objetos que estén almacenados sobre el horno. El material inflamable podría prenderse si entra en contacto con las piezas de calentamiento del horno y podría provocar quemaduras graves.
- **Use únicamente guantes para cacerolas que estén secos;** los guantes húmedos o mojados sobre superficies calientes podrían causar quemaduras debido al vapor. No permita que los guantes entren en contacto con las piezas de calentamiento. No use una toalla u otro tipo de tela voluminosa.
- **No obstruya la ventilación del horno.**
- **Mantenga el horno libre de acumulación de grasa.**
- **Manténgase alejado del horno cuando abra su puerta.** El aire caliente o el vapor que se escapa puede provocar quemaduras en las manos, la cara y los ojos.
- **Luego de asar a la parrilla, siempre saque la asadera del horno y lávela.** La grasa que queda en la asadera puede incendiarse la próxima vez que la utilice.
- **Los rayones o impactos severos sobre las puertas de vidrio podrían romper o astillar el vidrio.**
- **Nunca deje frascos ni latas con grasa derramada dentro o cerca de su horno.**

INSTRUCCIONES IMPORTANTE DE SEGURIDAD

PRECAUCIONES DE SEGURIDAD

- **Los niños en caminadores o los bebés que gatean pueden verse atraídos por la manija redonda de la puerta del horno, y pueden alcanzarla y abrirla.** Esto puede causar lesiones si la puerta del horno se abre de golpe sobre un niño, o quemaduras graves si el horno está encendido y caliente.
- **No caliente envases de alimentos sin abrir,** ya que esto podría aumentar su presión y, como consecuencia, reventar y causar heridas.
- **Coloque la parrilla del horno en la posición deseada mientras el horno está frío.** Si debe tocar las parrillas cuando están calientes, no permita que la asadera entre en contacto con las piezas de calentamiento.
- **Es conveniente extender la parilla completamente cuando se levanten alimentos pesados.** Asimismo, sirve como una precaución para evitar posibles quemaduras, ya que podría tocar superficies calientes de la puerta o las paredes del horno.
- **Cuando utilice bolsas para cocinar o asar,** siga las instrucciones del fabricante.
- **No utilice su horno para secar periódicos.** Ya que si se calientan demasiado podrían llegar a incendiarse.
- **No utilice el horno como área de almacenamiento.** Los elementos almacenados en un horno pueden incendiarse.
- **No deje objetos de papel, utensilios de cocina o alimentos sobre el horno mientras no está en uso.**
- **No deje que nadie se suba, se pare o se cuelgue de la puerta.** Podrían dañar el horno o provocar heridas personales graves.

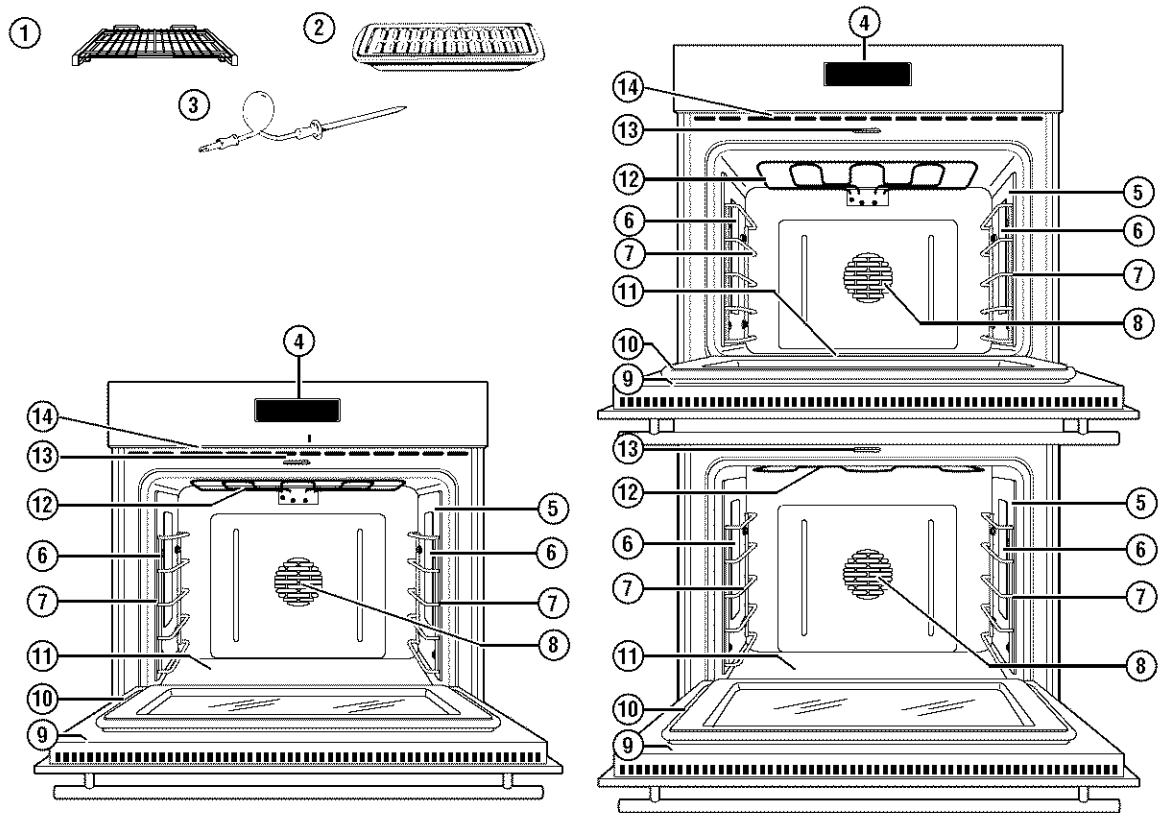
AUTOLIMPIEZA DEL HORNO

- **No limpie la junta de la puerta.** Ésta constituye una parte importante del buen sellado. Debe tener cuidado de no refregar, dañar ni mover la junta.
- **No use limpiadores de horno.** No deben usarse limpiadores de horno comerciales ni ningún tipo de recubrimiento protector para hornos dentro o alrededor de ninguna parte del horno. Los residuos de los limpiadores de horno dañarán su interior cuando se utilice el ciclo de limpieza automática.
- **Limpie únicamente las partes enumeradas en este Manual del propietario.**
- **Antes de activar la limpieza automática del horno,** retire la asadera, la rejilla y los demás utensilios de cocina.
- **Asegúrese de limpiar el exceso de derrames antes de iniciar la función de autolimpieza.**
- **Si este modo no funciona adecuadamente,** apague el horno y desconecte el suministro de energía. Hágalo revisar por un técnico calificado.
- **Las parrillas del horno pueden limpiarse en su interior durante el ciclo de autolimpieza.**

GUARDE ESTAS INSTRUCCIONES

Información del diseño

(No todas las funciones corresponden a todos los modelos. La apariencia puede variar.)

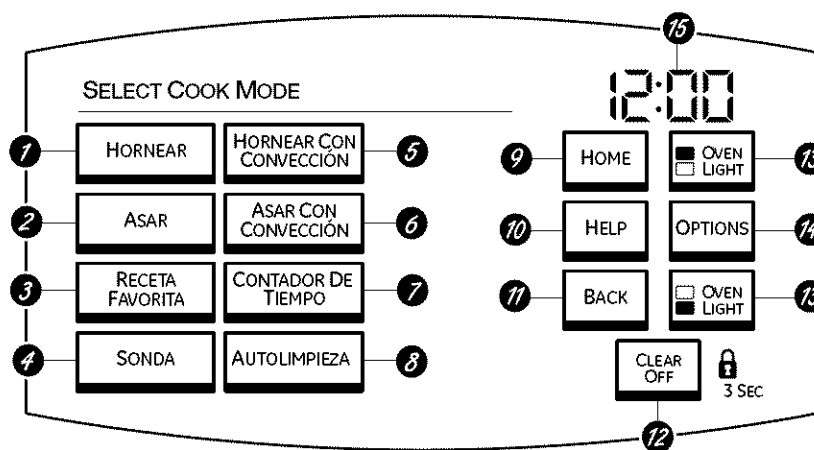


Índice de funciones	Página
1 Parrillas de horno con extensión completa (3 en cada horno)	112, 113, 114, 117, 121, 122, 132-137, 146, 148
2 Asadera y rejilla	117, 122, 145
3 Sonda	117, 119, 120, 123, 129, 147
4 Pantalla	111
5 Tomacorriente de la sonda	119, 123
6 Luces halógenas del horno	148
7 Soportes de la parrilla del horno (5 posiciones)	113, 132, 146
8 Ventilador de convección (funciona durante la cocción de convección y durante el precalentamiento)	114-116, 120-123, 125, 126, 134, 137, 138
9 Puerta removible del horno	147
10 Junta de la puerta del horno	149
11 Pieza para hornear (debajo del piso del horno)	145
12 Pieza para asar	117, 121, 145
13 Seguro automático de la puerta del horno	130, 131
14 Ventilación del horno	108, 112

(Es posible que las funciones y apariencias varíen con relación a su modelo a lo largo del manual.)

Pantalla Táctil

Toque los gráficos sobre la pantalla interactiva para usar las funciones del horno.



Se muestra el control del horno doble.

*Pantalla táctil,
superficies
táctiles y
pantalla con
hora del día*

NOTA: Si el horno se encuentra inactivo por 10 minutos, la Pantalla Táctil cambiará al modo de espera y la pantalla se oscurecerá. Toque la Pantalla Táctil o cualquier superficie para “activar” la pantalla. La Pantalla también puede “activarse” cuando siente que su mano se acerca a la Pantalla Táctil. La pantalla es sensible y puede “activarse” cuando se encienden las luces o debido al movimiento de personas u objetos cercanos. Si no ocurre otra interacción, la Pantalla debe volver a su modo de espera después de 10 minutos.

Pantalla Táctil

- 1 HORNEAR.** Toque para seleccionar la función hornear.
- 2 ASAR.** Toque para seleccionar la función asar (ASADO ALTO o ASADO BAJO) o la GUÍA PARA ASAR.
- 3 RECETA FAVORITA.** Toque para usar, crear, cambiar nombre, modificar o borrar una receta favorita.
- 4 SONDA.** Toque al usar la sonda para realizar una cocción.
- 5 HORNEAR CON CONVECCIÓN.** Toque para seleccionar hornear con la función de convección.
- 6 ASAR CON CONVECCIÓN.** Toque para seleccionar asar con la función de convección.
- 7 CONTADOR DE TIEMPO.** Toque para seleccionar la función del contador.
- 8 AUTOLIMPIEZA.** Toque para seleccionar la función de auto limpieza. Lea la sección *Horno con función de autolimpieza*.

Teclas Táctiles

- 9 Tecla de HOME (INICIO).** Toque para regresar a la Pantalla “SELECCIÓN DE MODO DE COCCIÓN” (Inicio). Esto no cancela ninguna configuración de cocción o auto limpieza.

- 10 Tecla de HELP (AYUDA).** Toque esta tecla para conocer más sobre las características de su horno.
- 11 Tecla BACK (ATRÁS).** Toque para regresar a la pantalla anterior.
- 12 Tecla CLEAR/OFF (BORRAR/ APAGAR).** Toque para cancelar **TODAS** las operaciones del horno excepto el reloj y el contador.
- 13 Tecla(s) de OVEN LIGHT (LUZ DEL HORNO) Encendida/ Apagada.** Toque para encender o apagar la luz (luces) del horno.
- 14 Tecla de OPTIONS (OPCIONES).** Toque para seleccionar DOS TEMP, ENCENDIDO DIFERIDO, FERMENTAR, DESHIDRATAR, CALENTAR, COCINAR Y CALENTAR, MODO SABÁTICO o CONFIGURACIÓN.

Pantalla

- 15 Pantalla.** Muestra la hora del día.

Códigos de error

Si una “E-” y un número o letra” parpadean en la pantalla y el control da una señal, esto indica un código de error de la función. Presione el botón CLEAR/OFF (BORRAR/APAGAR). Permita que el horno se enfríe durante una hora. Ponga el horno nuevamente en operación. Si el código de error de la función se repite, desconecte el cable de corriente del horno y comuníquese con el servicio de mantenimiento.

Si se presentó una interrupción en el fluido eléctrico:

Si su horno fue configurado para una operación cronometrada del horno y se presentó una interrupción en el fluido eléctrico, el reloj y todas las funciones programadas deben restablecerse.

La hora del día parpadeará en la pantalla cuando se haya presentado una interrupción en el fluido eléctrico.

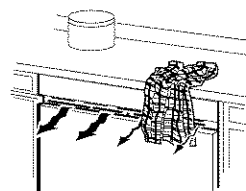
Consejos para el horneado

Horno de pared

Flujo de aire del horno

Durante todos los modos del horno funciona un ventilador de refrigeración interno. El aire caliente del interior del horno será despedido a través de ventilaciones ubicadas entre la puerta y el panel de control.

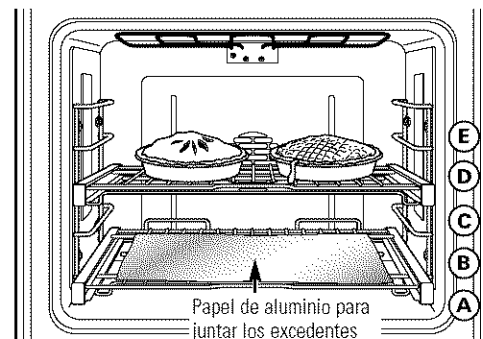
No permita que este flujo de aire se obstruya colocando toallas de cocina en el frente del horno en aparatos de bajo mesada.



Papel de aluminio

Nunca cubra por completo una parrilla con papel aluminio. Esto obstruirá la circulación del calor y obtendrá un asado deficiente. Puede utilizarse una pequeña hoja de papel aluminio para atrapar derrames colocándola en uno de las parrillas inferiores varias pulgadas por debajo del alimento.

NOTA: para el horneado general, sólo se utilizarán una o dos parrillas. Se utilizarán tres parrillas sólo para el horneado con varias parrillas. Retire la tercera parrilla del horno cuando no la utilice.



Ubicación de la cacerola

Para una cocción uniforme y un dorado adecuado, debe haber suficiente espacio para la circulación de aire en el horno. Los resultados del horneado serán mejores si las placas para hornear se centran lo mejor posible en lugar de colocarse en la parte delantera o trasera del horno.

Las placas no deben tocarse ni tocar las paredes del horno. Deje un espacio de 1 a 1½" entre las placas, así como en la parte trasera del horno, la puerta y los laterales.

Si necesita usar dos parrillas, use las posiciones A y C, B y D o A y D, y alterne las placas de manera que no quede una sobre la otra.

Placas/planchas para hornear

Use la placa para hornear adecuada. El tipo de acabado de la placa determina lo mucho o poco que se dorarán los alimentos.

- Las placas oscuras, ásperas u opacas absorben el calor, resultando en una costra más dorada y crujiente. Use este tipo para pasteles.

- Para obtener un dorado más suave y delicado, utilice las placas brillosas y lisas, ya que éstas reflejan el calor. Las tortas y las galletitas requieren este tipo de placas o planchas.

- Las fuentes para hornear de vidrio también absorben el calor. Cuando hornee en fuentes de vidrio, la temperatura no necesita reducirse a menos de 25 °F.

Pre calentamiento

Deje que el horno se caliente antes de colocar los alimentos. El calentamiento previo del horno es necesario para obtener buenos resultados al hornear tortas, galletitas, masas y panes.

Para precalentar, configure el horno a la temperatura correcta. Se encenderá la luz PREHEAT (Pre calentamiento) y aparecerá 100 °F en la pantalla. (La pantalla de la temperatura comenzará a cambiar una vez que la temperatura del horno alcance los 100 °F). El ventilador de convección también se encenderá durante el pre calentamiento. El control sonará cuando el horno esté pre calentado, lo cual tomará aproximadamente de 10 a 15 minutos. La luz PREHEAT (Pre calentamiento) se apagará y la pantalla mostrará la temperatura configurada.

Una vez que se apague la luz PREHEAT (Pre calentamiento), deberá colocar los alimentos en el horno.

¡El tipo de margarina afectará el desempeño del horneado!

La mayoría de las recetas para hornear se han desarrollado usando productos de alto contenido en grasa como mantequilla o margarina (80% de grasa). Si disminuye la grasa, es posible que la receta no tenga los mismos resultados que con un producto de mayor contenido de grasa.

Las recetas pueden fallar si las tortas, pasteles, galletas o dulces se preparan con productos bajos en grasa. Mientras menos sea el contenido de grasa de un producto tipo mantequilla, más se notarán estas diferencias.

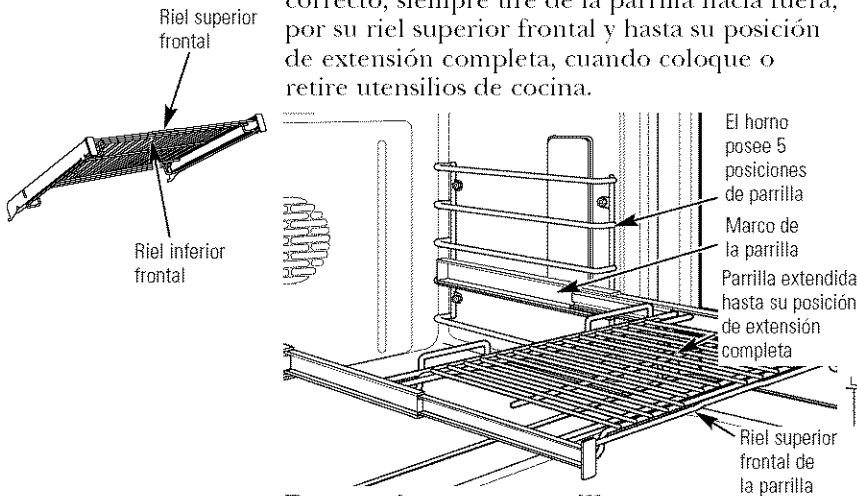
Los estándares federales exigen que los productos marcados como margarinas, contengan por lo menos un 80% de grasa por peso. Por otra parte, los productos tipo mantequilla bajos en grasa contienen menos grasa y más agua. El alto contenido de humedad de estos productos afecta la textura y el sabor de los alimentos horneados. Para mejores resultados con sus viejas recetas favoritas, use margarina, mantequilla u otros productos que contengan por lo menos un 70% de aceite vegetal.

Parrillas para horno de extensión completa

Para evitar posibles quemaduras, coloque las parrillas en la posición correcta antes de encender el horno.

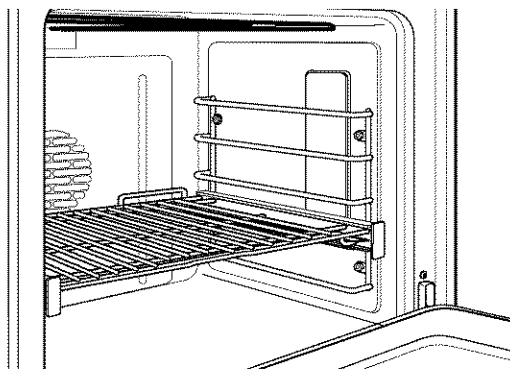
La posición correcta de la parrilla depende del tipo de alimentos y del dorado deseado.

Las parrillas tienen un marco que encaja en los soportes de ambos lados de la parrilla. Una vez que el marco esté ubicado en el lugar correcto, siempre tire de la parrilla hacia fuera, por su riel superior frontal y hasta su posición de extensión completa, cuando coloque o retire utensilios de cocina.

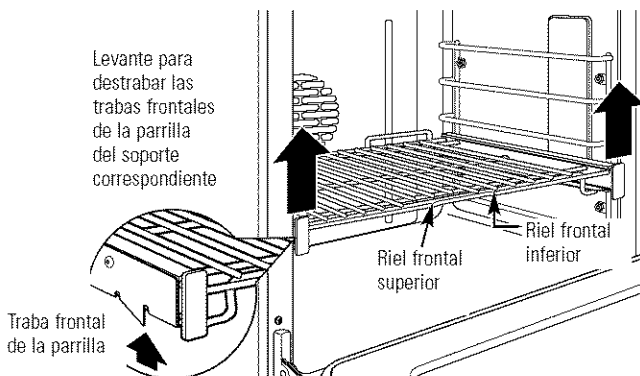


Para retirar una parrilla:

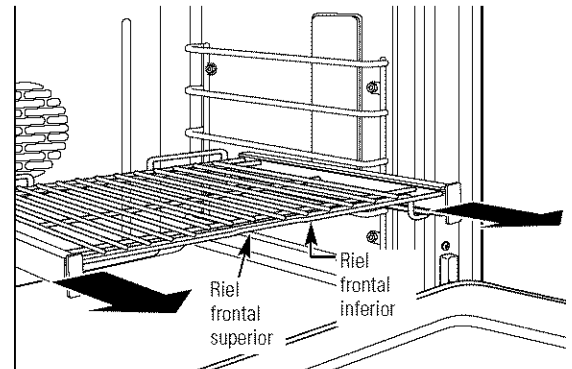
1. Asegúrese que la parrilla esté extendida completamente dentro del horno.



2. Tome la parrilla por ambos rieles, el frontal superior y el frontal inferior, y levante en forma derecha para destrabar las trabas frontales de la parrilla de los respectivos soportes.

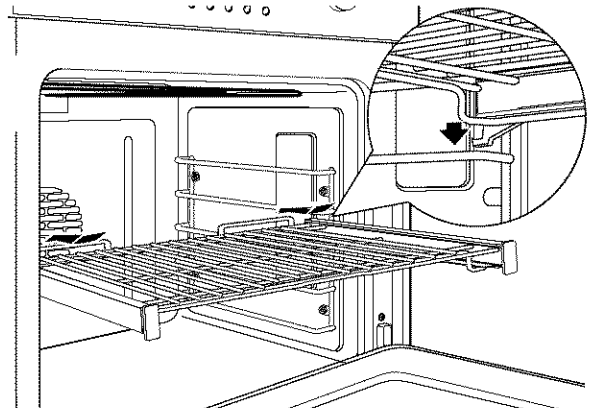


3. Sostenga la parrilla firmemente sobre ambos rieles, superior e inferior, tire de ella hacia adelante y retírela del horno.

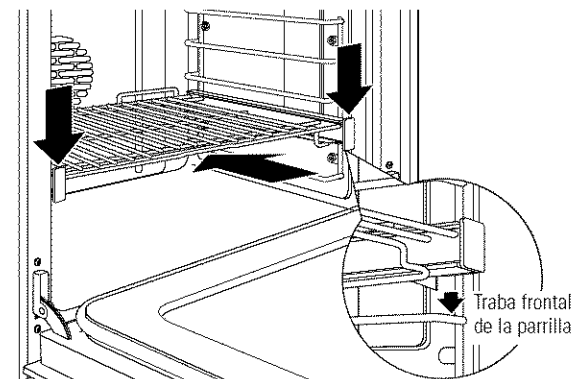


Para volver a colocar una parrilla:

1. Coloque las trabas posteriores de la parrilla por encima y sobre los soportes de la parrilla (la parrilla tiene cinco posiciones, incluida la posición superior).



2. Deslice la parrilla hasta el fondo, es decir, hasta que las trabas posteriores de la parrilla estén bien enganchadas en los soportes posteriores, y empuje las trabas frontales de la parrilla contra los soportes frontales.



Deslice la parrilla hasta el fondo y empuje para trabar las trabas frontales en los soportes frontales de la parrilla.

Cómo configurar el horno para hornear o asar

- 1 Toque **HORNEAR**.
- 2 En modelos de horno doble solamente, toque **HORNO SUPER.** u **HORNO INFER.** para seleccionar el horno deseado.
- 3 Toque los números para programar la temperatura deseada.
- 4 Toque **ACEPTAR**.
- 5 Toque **INICIAR**.



El ventilador de convección se encenderá al precalentar el horno. El control dará una señal cuando el horno esté precalentado; esto tomará 10 minutos aproximadamente. La pantalla mostrará la temperatura configurada.

Cuando el control da la señal, se deben colocar las comidas en el horno.

En modelos de horno doble solamente, para programar el segundo horno, seleccione **OPRIMA PARA SELEC. OPCIONES HORNO INFERIOR** u **OPRIMA PARA SELEC. OPCIONES HORNO SUPERIOR** según sea necesario y siga los pasos anteriores.

La temperatura configurada se puede cambiar tocando **CAMBIAR TIEMPO-TEMP.**

La configuración se puede cancelar tocando **CANCELAR.**

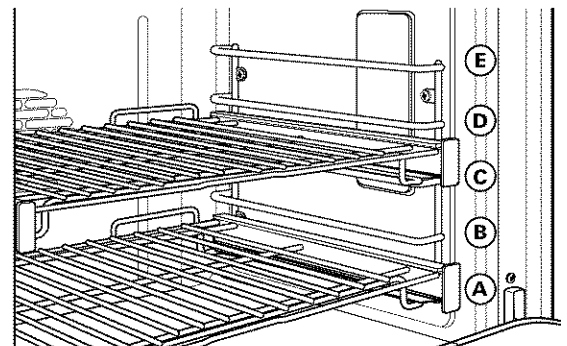
El contador se puede programar tocando **PROGRAMAR CONTADOR DE TIEMPO.** Lea la sección *Contador de Tiempo.*

- 6 Consulte el tiempo mínimo de cocción de una receta. Cocine durante más tiempo si es necesario.
- 7 Toque **CANCELAR** cuando la cocción esté completa.

NOTA: es posible que se encienda automáticamente un ventilador de enfriamiento para refrigerar las partes internas. Esto es normal, y el ventilador puede continuar andando incluso después de apagar el horno.

Tipo de alimentos	Posición de la parrilla
Pastel de ángel	A
Bizcochos o molletes	B o C
Galletitas o magdalenas	B o C
Brownies	B o C
Pasteles de capas	B o C
Pastel Bundt o panqués	A o B
Pasteles o base de pasteles	B o C
Pastel simple	B o C
Pasteles helados	B o C (en plancha para hornear)
Guisos	B o C

Si hornea cuatro capas de pastel al mismo tiempo, coloque dos capas en la parrilla B y dos capas en la parrilla D. Ubique las cacerolas en la parrilla de tal forma que una no esté colocada directamente sobre la otra.



El horno tiene 5 posiciones de parrilla. Consulte la sección *Parrillas de horno de extensión completa* para saber cómo usar, retirar y volver a colocar las parrillas.

Horneado y asado por tiempo (Cómo configurar un Inicio inmediato y una parada automática)

En modelos de horno doble, puede utilizar la función de horneado cronometrado en un horno mientras utiliza la limpieza automática en el otro; también puede usar el horneado cronometrado en ambos hornos simultáneamente.

NOTA: no debe permitirse que los alimentos que se echan a perder fácilmente—como leche, huevos, pescado, rellenos, aves y cerdo— reposen por más de 1 hora antes o después de la cocción. La temperatura ambiente promueve el crecimiento de bacterias peligrosas.

El horno se encenderá inmediatamente y cocinará durante el tiempo seleccionado. Al final del tiempo de cocción, el horno se apagará automáticamente.

Asegúrese de que el reloj muestre la hora correcta del día.

- 1 Toque **HORNEAR**.
- 2 En modelos de horno doble solamente, toque **HORNO SUPER.** u **HORNO INFER.** para seleccionar el horno deseado.
- 3 Toque los números para programar la temperatura deseada.
- 4 Toque **ACEPTAR**.
- 5 Toque los números para programar el tiempo de cocción deseado.
- 6 Toque **ACEPTAR**.
- 7 Las dos opciones de inicio inmediato y detención automática están disponibles:

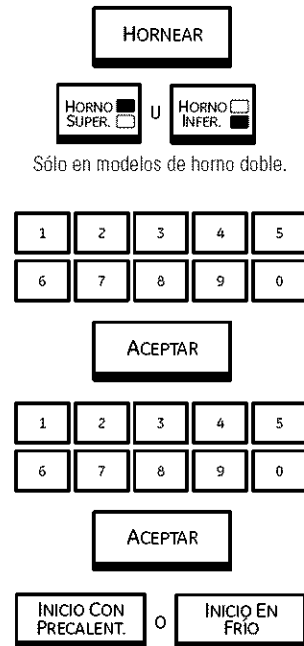
- **INICIO CON PRECALENT.** – Toque para precalentar el horno.

El ventilador de convección se encenderá al precalentar el horno. El control dará una señal cuando el horno esté precalentado; esto tomará 10 minutos aproximadamente. La pantalla mostrará la temperatura configurada.

Cuando el control dé la señal, coloque la comida en el horno.

La cocción programada no se iniciará hasta que el horno esté precalentado y se toque **INICIAR**.

- **INICIO EN FRÍO** – Toque para iniciar el horno de forma inmediata y cocinar la comida sin precalentamiento. El ventilador de convección se encenderá. El tiempo de cocción se iniciará de forma inmediata.



El horno comenzará y continuará la cocción durante la cantidad de tiempo programada, luego se apagará automáticamente, a menos que la función Cocinar y calentar estuviera programada. Lea la sección sobre la *Opción Cocinar y calentar*.

En modelos de horno doble solamente, para programar el segundo horno, seleccione **OPRIMA PARA SELEC. OPCIONES HORNO INFERIOR** u **OPRIMA PARA SELEC. OPCIONES HORNO SUPERIOR** según sea necesario y siga los pasos anteriores.

La temperatura configurada se puede cambiar tocando **CAMBIAR TIEMPO-TEMP** en el horno apropiado.

La configuración se puede cancelar tocando **CANCELAR** en el horno apropiado.

El contador se puede programar tocando **PROGRAMAR CONTADOR DE TIEMPO**. Lea la sección *Contador de tiempo*.

Una vez que la cocción esté completa, el horno dará una señal y se verá "MÁS TIEMPO" en la pantalla por cinco minutos. Compruebe que la comida se haya cocinado. Si se necesita más tiempo de cocción toque **MÁS TIEMPO** e ingrese tiempo de cocción adicional. Si no se selecciona, la pantalla se borrará de forma automática en cinco minutos.

Horneado y asado por tiempo (Cómo configurar un inicio postergado y una parada automática)

Usted puede configurar el control del horno para que postergue el inicio, cocine durante un periodo específico de tiempo y luego se apague automáticamente. Lea también la sección de *Opción de encendido diferido*.

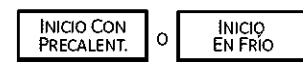
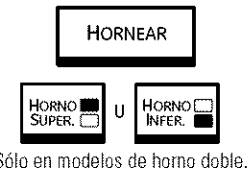
Asegúrese de que el reloj muestre la hora correcta del día.

- 1 Toque **HORNEAR**.
- 2 En modelos de horno doble solamente, toque **HORNO SUPER.** u **HORNO INFER.** para seleccionar el horno deseado.
- 3 Toque los números para programar la temperatura deseada.
- 4 Toque **ACEPTAR**.
- 5 Toque los números para programar el tiempo de cocción deseado.
- 6 Toque **ACEPTAR**.
- 7 Toque **AGREGAR OPCIÓN DE HORNEADO**.
- 8 Toque **ENCENDIDO DIFERIDO**.
- 9 Dos opciones de configuración de hora de inicio diferido están disponibles.
 - **HORA DE INICIO DE COCCIÓN** – Toque y luego use los números para programar la cantidad de tiempo que desea que transcurra hasta que se inicie la cocción. Toque **ACEPTAR**. Por ejemplo, si desea que la cocción comience en 2 horas, ingrese **2, 0 y 0**.
 - **HORA FINAL DE COCCIÓN** – Toque y luego use los números para programar la cantidad de tiempo que desea que transcurra una vez finalizada la cocción. Toque **ACEPTAR**. Por ejemplo, si su tiempo de cocción es de 2 horas y desea servir la comida en 5 horas, entonces ingrese **5, 0 y 0** y el horno se iniciará en 3 horas.
- 10 Dos opciones de inicio están disponibles cuando el tiempo de inicio diferido se cumple:
 - **INICIO CON PRECALENT.** – Toque para seleccionar precalentar.

Cuando el tiempo de inicio diferido se cumple, el horno se encenderá y comenzará el precalentamiento.

El ventilador de convección se encenderá al precalentar el horno. El control dará una señal cuando el horno esté precalentado; esto tomará entre 10 y 15 minutos aproximadamente. La pantalla mostrará la temperatura configurada.
 - **INICIO EN FRÍO** – Toque esta función para que el horno se inicie inmediatamente (sin precalentamiento) cuando el tiempo de inicio diferido se cumpla. El ventilador de convección se encenderá.

En modelos de horno doble solamente, para programar el segundo horno, seleccione **OPRIMA PARA SELEC. OPCIONES HORNO INFERIOR** u **OPRIMA PARA SELEC. OPCIONES HORNO SUPERIOR** según sea necesario y siga los pasos anteriores.



La temperatura configurada se puede cambiar tocando **CAMBIAR TIEMPO-TEMP** en el horno apropiado.

La configuración se puede cancelar tocando **CANCELAR** en el horno apropiado.

El contador se puede programar tocando **PROGRAMAR CONTADOR DE TIEMPO**.

Lea la sección *Contador de tiempo*.

Cuando se cumpla el tiempo de inicio diferido, el horno comenzará y continuará la cocción durante la cantidad de tiempo programada, luego se apagará automáticamente, a menos que la función Cocinar y calentar estuviera programada. Lea la sección *Cocinar y calentar*.

Una vez que la cocción esté completa, el horno dará una señal y se verá "MÁS TIEMPO" en la pantalla por cinco minutos. Compruebe que la comida se haya cocinado. Si se necesita más tiempo de cocción, toque **MÁS TIEMPO** e ingrese tiempo de cocción adicional. Si no se selecciona, la pantalla se borrará de forma automática en cinco minutos.

Asar a la parrilla

Horno de pared

Cómo configurar el horno para asar a la parrilla

Cierre la puerta. **Siempre ase a la parrilla con la puerta cerrada.**

- 1 Toque **ASAR**.
- 2 Coloque la comida en una parrilla para asar sobre una cacerola para asar.
- 3 **En modelos de horno doble solamente**, toque **HORNO SUPER.** u **HORNO INFER.** para seleccionar el horno deseado.
- 4 Siga las posiciones sugeridas para las parrillas en la *Guía para asar a la parrilla*.

El tamaño, peso, grosor, temperatura inicial y su preferencia sobre el punto de cocción de los alimentos afectarán los tiempos de cocción. Esta guía está basada en carnes a temperatura de refrigerador.

- 5 Toque **ASADO ALTO** o **ASADO BAJO**.
- 6 Toque **INICIAR**.

NOTA: Es posible que el ventilador se encienda y apague de forma automática para enfriar las partes interiores. Esto es normal, y es posible que el ventilador continúe funcionando incluso luego de que el horno se apague.

En la mayoría de los casos, no es necesario precalentar la parrilla. Sin embargo, es posible que las comidas de rápida cocción, tales como fetas finas de carne o pescado, requieran un período de precalentamiento corto de 2 a 3 minutos para hacer que la superficie de la comida se dore mientras al mismo tiempo ésta se cocina por dentro.

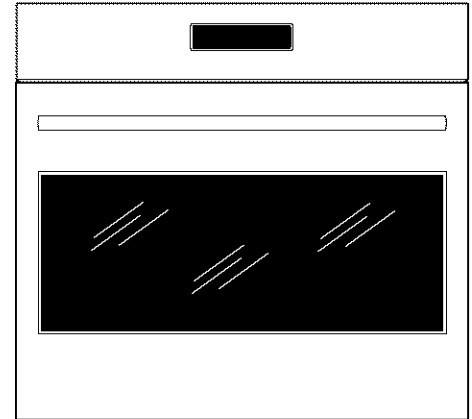
Encienda la comida una sola vez al asar la misma.

NOTA: La función de asar no funcionará si la sonda de temperatura se enchufa. Nunca deje la sonda dentro del horno durante el ciclo de asado.

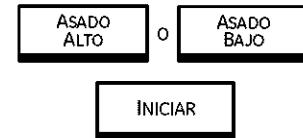
Para programar el segundo horno, seleccione **OPRIMA PARA SELEC. OPCIONES HORNO INFERIOR** u **OPRIMA PARA SELEC. OPCIONES HORNO SUPERIOR** según sea necesario y siga los pasos anteriores.

La temperatura configurada se puede cambiar tocando **CAMBIAR TIEMPO-TEMP.**

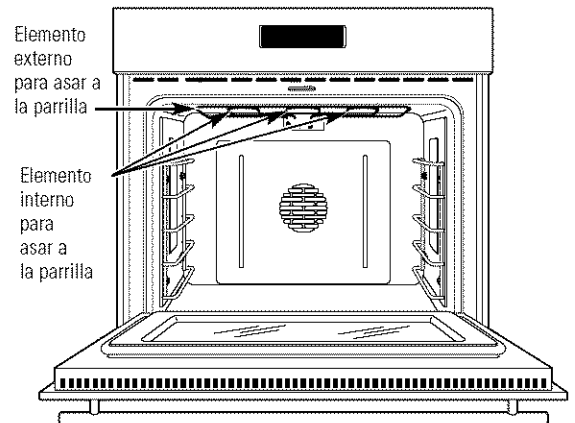
La configuración se puede cancelar tocando **CANCELAR**.



Cierre la puerta. **Siempre ase a la parrilla con la puerta cerrada.**



Si su horno está conectado a 208 voltios, los filetes poco cocidos pueden asarse a la parrilla precalentando la parrilla y posicionando la parrilla del horno en una posición más alta.

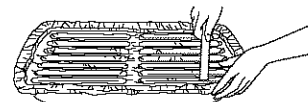


El contador se puede programar tocando **PROGRAMAR CONTADOR DE TIEMPO**. Lea la sección *Contador de tiempo*.

- 7 Cuando el asado esté completa, toque **CANCELAR**.

Papel de aluminio

Puede usar papel de aluminio para cubrir la asadera y la rejilla. Sin embargo, deberá moldear firmemente el papel a la rejilla y hacer cortes con la forma de la rejilla.



Asar a la parrilla

Horno de pared

Guía para asar a la parrilla

El tamaño, peso, grosor, temperatura inicial y el punto de cocción preferido afectarán los tiempos de asado. Esta guía está basada en carnes con temperatura de refrigerador.

Alimento	Cantidad y/o grosor	Posición de la Parrilla	Primer lado Tiempo (min)	Segundo lado Tiempo (min)	Comentarios
Carne molida Bien cocido	1/2" a 3/4" (1,3 a 1,9 cm) de espesor	D	9 a 11	3 a 4	Distribúyalas en forma uniforme.
Filetes de carne Poco cocido† Medio Bien cocido Poco cocido† Medio Bien cocido	3/4" a 1" (1,9 cm a 2,5 cm) de espesor	D	8 a 10	3 a 5	Retire la grasa a los bordes.
		D	9 a 11	3 a 5	
		C	12 a 14	3 a 5	
	Aprox. 1½" (3,8 cm) de espesor	C	22 a 24	4 a 6	
		C	24 a 26	3 a 5	
		C	28 a 30	5 a 7	
Pollo Pechugas (con hueso) Pechugas (sin hueso)	C	C	25 a 35	10 a 15	Ase primero el lado de la piel hacia abajo.
		B	24 a 26	9 a 11	
Colas de langosta	4 oz (0,11 kg)	C	7 a 9	No volteee el caparazón.	Realice un corte a lo largo. Ábrala.
Pescado	Filetes de 1/4" a 1/2" (0,6 a 1,3 cm) Filetes de 1/2" (1,3 cm) de espesor	D	7 a 9	No volteee.	
		D	9 a 12		
Rodajas de jamón	1/4" a 1/2" (0,6 a 1,3 cm) de espesor (precocido)	D	4 a 6	2 a 3	
Chuletas de cerdo Bien cocido	1/2" (1,3 cm) de espesor 1" (2,5 cm) de espesor	D	9 a 11	6 a 8	Retire la grasa a los bordes.
		C	18 a 20	4 a 6	
Chuletas de cordero Medio Bien cocido Medio Bien cocido	1" (2,5 cm) de espesor	C	8 a 10	6 a 8	Retire la grasa a los bordes.
		C	9 a 11	7 a 9	
	1½" (3,8 cm) de espesor	C	14 a 16	5 a 7	
		C	15 a 17	6 a 10	
Pan de ajo Lo Broil		C	2 a 3	N/A	

†El Departamento de Agricultura de EE.UU. indica que: "la carne a poco cocida es popular, pero usted debe saber que cocinarla a solamente 140 °F (60 °C) significa que algunos organismos venenosos podrían sobrevivir". (Fuente: *Safe Food Book, Your Kitchen Guide*, USDA Rev. Junio 1985.)

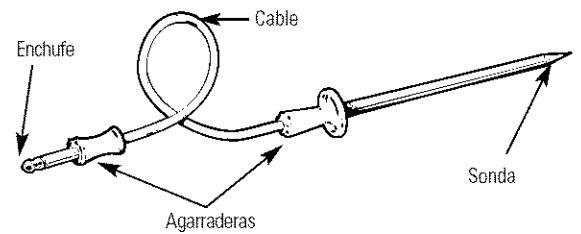
Sonda de temperatura

Para muchos alimentos, especialmente la carne asada y las aves, la temperatura interna del alimento es la mejor prueba para el punto de cocción. La sonda de temperatura elimina las conjeturas acerca de los asados al cocinar los alimentos en el punto de cocción exacto que usted desea.

El uso de sondas distintas a la suministrada con este producto puede resultar en el daño la sonda.

Utilice las agarraderas de la sonda y el enchufe cuando la inserte y la remueva de la carne y del enchufe del horno.

- Para evitar daños a la sonda, no utilice tenazas para tirar del cable cuando la remueva.
- Para evitar rupturas de la sonda, asegúrese de que los alimentos estén completamente descongelados antes de insertarla.
- Para prevenir posibles quemaduras, no desenchufe la sonda del enchufe hasta que el horno se haya enfriado.
- Nunca deje la sonda dentro del horno durante un ciclo de asado a la parrilla o autolimpieza.
- No almacene la sonda en el horno.



La sonda de temperatura tiene un detector en forma de pincho en un extremo y un enchufe en el otro extremo; dicho enchufe va dentro del enchufe en el horno.

Ubicación apropiada de la sonda

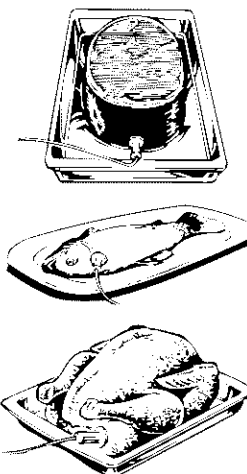
Después de preparar la carne, colocarla sobre un posafuentes o sobre una parrilla para asados, siga estas instrucciones para la ubicación apropiada de la sonda.

- La punta de la sonda debe permanecer en el centro de la parte más gruesa del bife.
- La sonda debe insertarse por completo dentro de la carne, hasta la manija, de manera que pueda leer adecuadamente la temperatura. No debe tocar el hueso, la grasa o el cartílago.

Para bistecs sin hueso, inserte la sonda dentro de la parte carnosa del bistec. Para jamón o cordero con hueso, inserte la sonda dentro del centro del músculo grande más interno o la articulación.

Inserte la sonda dentro del centro de platos como rollos de carne o cacerolas. Cuando cocine pescado, inserte la sonda justo por encima de la agalla en el área más carnosa, paralelo a la columna vertebral.

Inserte la sonda en la parte más carnosa de la parte interna del muslo desde abajo y en paralelo a la pierna de un pavo completo.



Cómo configurar el horno para asar cuando se utiliza la sonda

- 1 Inserte la sonda en la comida. Lea la sección sobre *Uso de la sonda*.
 - 2 Conecte la sonda en la toma dentro del horno. Asegúrese de que quede bien conectada en la toma. Cierre la puerta del horno.
 - 3 Presione el botón **SONDA**.
 - 4 **En modelos de horno doble solamente**, toque **HORNO SUPER.** u **HORNO INFER.** para seleccionar el horno deseado.
 - 5 Toque **ACEPTAR**.
 - 6 Toque los números para programar la temperatura interna deseada para la comida o carne. (La temperatura interna máxima que se puede programar para la comida es de 200° F (93° C).)
 - 7 Toque **ACEPTAR**.
 - 8 Toque **HORNEAR**.
 - 9 Toque los números para programar la temperatura del horno deseada.
 - 10 Toque **ACEPTAR**.
 - 11 Toque **INICIAR**.
- El horno se encenderá de inmediato y permanecerá encendido hasta que se apague.
- El ventilador de convección se encenderá (luego de una demora corta) y se visualizará 100° F (38° C) en la pantalla. (La pantalla de temperatura comenzará a cambiar una vez que la temperatura interna de la carne alcance los 100° F [38° C].)
- Luego de que la temperatura interna de la carne alcance los 100° F (38° C), los cambios de temperatura interna aparecerán en la pantalla.
- 12 Cuando la temperatura interna de la carne alcance la temperatura que configuró, la sonda y el horno se apagarán y el control del horno dará la señal. Para detener la señal, presione el botón **CLEAR/OFF (BORRAR/APAGAR)**. Utilice almohadillas con aislamiento térmico para quitar la sonda de la comida. No utilice tenazas para extraerla: las tenazas pueden dañarla.

En modelos de horno doble solamente, para programar el segundo horno, seleccione **OPRIMA PARA SELEC. OPCIONES HORNO INFERIOR** u **OPRIMA PARA SELEC. OPCIONES HORNO SUPERIOR** según sea necesario y siga los pasos anteriores.

La temperatura configurada se puede cambiar tocando **CAMBIAR TIEMPO-TEMP** en el horno apropiado.

La configuración se puede cancelar tocando **CANCELAR** en el horno apropiado.

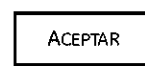
El contador se puede programar tocando **PROGRAMAR CONTADOR DE TIEMPO**. Lea la sección *Contador de tiempo*.

▲ PRECAUCIÓN: *Para evitar posibles quemaduras, no desenchufe la sonda desde la ficha de entrada del horno hasta que este último se haya enfriado. No guarde la sonda dentro del horno.*

- Si se quita la sonda de la comida antes de que se alcance la temperatura final, sonará un tono y la pantalla dará un aviso hasta que la sonda sea removida del horno.
- Usted puede utilizar el temporizador aunque no utilice las operaciones cronometradas del horno.



Sólo en modelos de horno doble.



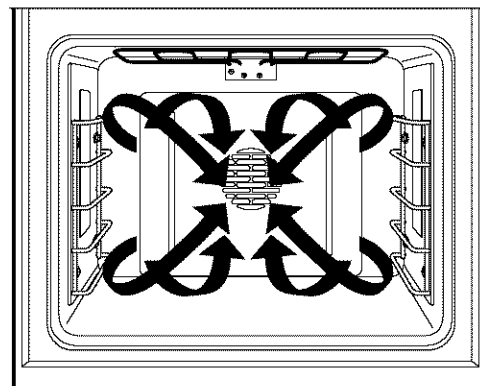
Ventilador de convección

En un horno a convección, un ventilador hace circular el aire caliente sobre, debajo y alrededor de los alimentos.

Este aire caliente en circulación se distribuye de manera uniforme por la cavidad del horno. Como resultado, los alimentos se cocinan y se doran de manera uniforme; a menudo, en menor tiempo con calor de convección.

NOTA: El ventilador de convección se encenderá y se apagará en ciclos durante la cocción para distribuir mejor el aire caliente en el horno.

El ventilador de convección del horno se apaga cuando se abre la puerta del horno. **NO** deje la puerta abierta durante períodos largos mientras utiliza la cocción por convección o podrá reducir la vida útil del elemento calefactor por convección.



Utensilios de cocina para la cocción por convección

Antes de utilizar su horno por convección, verifique si sus utensilios de cocina permiten que el aire circule dentro del horno. Si está horneando con varias bandejas, deje espacio entre ellas. También, asegúrese de que las bandejas no entren en contacto unas con otras ni con las paredes del horno.

Papel y plástico

En los hornos por convección pueden utilizarse los recipientes de papel y plástico resistentes al calor recomendados para el uso en hornos regulares. También pueden utilizarse los utensilios de cocina plásticos resistentes al calor hasta temperaturas de 400 °F.

NOTA: no permita que ningún papel o plástico entre en contacto con el elemento superior para asar a la parrilla.

Metal y vidrio

Cualquier tipo de utensilio de cocina funcionará en su horno por convección. Sin embargo, las bandejas metálicas se calientan más rápido y están recomendadas para el horneado por convección.

Las bandejas oscuras o con acabado mate hornearán más rápido que las bandejas brillantes.

Las bandejas de vidrio o cerámica cocinarán más lentamente.

Cuando hornee galletas, obtendrá mejores resultados si usa una plancha plana para galletas en vez de una placa de lados bajos.

Para recetas como el pollo al horno, utilice una bandeja con lados bajos. El aire caliente no puede circular bien alrededor de los alimentos en una bandeja con lados altos.

Cómo adaptar recetas

Usted puede utilizar sus recetas favoritas en el horno por convección.

Cuando hornee por convección, reduzca la temperatura de horneado en 25 °F (14 °C) o active la característica de conversión Auto Recipe™. Consulte la sección *Conversión Auto Recipe™* en las *Características especiales del control de su horno*.

Horneado por convección en varias parrillas

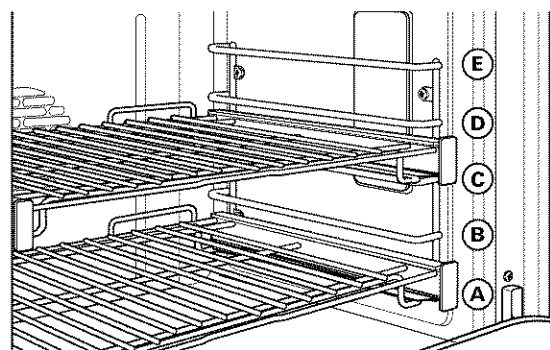
Al hornear por convección con sólo 1 parrilla, siga las posiciones de la parrilla recomendadas en la sección *Uso del horno*.

Debido a que el aire caliente circula por todo el horno, las comidas se pueden hornear de forma exitosa utilizando varias parrillas.

La cantidad de tiempo requerida para el horneado de múltiples parrillas puede aumentar ligeramente para algunos alimentos, pero se ahorra el tiempo general ya que muchos alimentos se cocinan al mismo tiempo. Galletas, muffins, bizcochos y otros panecillos rápidos dan buenos resultados con el horneado de múltiples parrillas.

Cuando hornee en 3 parrillas, coloque una parrilla en la primera posición (A), una en la tercera posición (C) y uno en la quinta posición (E).

Para el horneado de dos parrillas, coloque una parrilla en el soporte de la segunda posición (B). Coloque la otra parrilla en el soporte de la cuarta posición (D).



Posición de varias parrillas

Horneado o asado por convección

Horno de pared

Cómo configurar el horno para hornear o asar por convección

- 1 Toque **HORNEAR CON CONVECCIÓN** o **ASAR CON CONVECCIÓN**.
- 2 En modelos de horno doble solamente, toque **HORNO SUPER.** u **HORNO INFER.** para seleccionar el horno deseado.
- 3 Dos opciones de parrilla están disponibles:
 - **UNA PARRILLA** – Toque esta función para cocinar comidas en una sola parrilla usando el Horneado con Convección.
 - **VARIAS PARRILLAS** – Toque esta función para cocinar comidas en más de una parrilla (es decir: en 2 o 3 parrillas) al mismo tiempo usando el Horneado con Convección. Para más información, lea la sección *Horneado con convección con varias parrillas*.
- 4 Toque los números para programar la temperatura deseada.
- 5 Toque **ACEPTAR**.
- 6 Toque **INICIAR**.

El ventilador de convección se encenderá al precalentar el horno. El control dará una señal cuando el horno esté precalentado; esto tomará 10 minutos aproximadamente. La pantalla mostrará la temperatura configurada.

Cuando el control da la señal, se deben colocar las comidas en el horno.

En modelos de horno doble solamente, para programar el segundo horno, seleccione **OPRIMA PARA SELEC. OPCIONES HORNO INFERIOR** u **OPRIMA PARA SELEC. OPCIONES HORNO SUPERIOR** según sea necesario y siga los pasos anteriores.

La temperatura configurada se puede cambiar tocando **CAMBIAR TIEMPO-TEMP** en el horno apropiado.

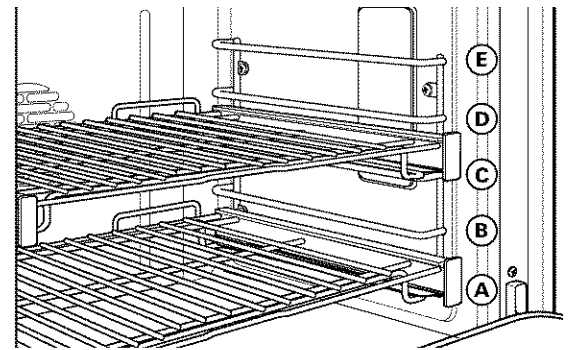
La configuración se puede cancelar tocando **CANCELAR** en el horno apropiado.

El contador se puede programar tocando **PROGRAMAR CONTADOR DE TIEMPO**.

Lea la sección *Contador de tiempo*.



Sólo en modelos de horno doble.



El horno tiene 5 posiciones de parrilla. Consulte la sección *Parrillas de horno de extensión completa* para saber cómo usar, retirar y cambiar las parrillas.

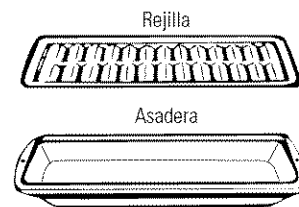
Una vez que la cocción esté completa, el horno dará una señal y se verá "MÁS TIEMPO" en la pantalla por cinco minutos. Compruebe que la comida se haya cocinado. Si se necesita más tiempo de cocción toque **MÁS TIEMPO** e ingrese tiempo de cocción adicional. Si no se selecciona, la pantalla se borrará de forma automática.

Consejos para el asado por convección

Utilizando la asadera y la rejilla provistas, circulará aire caliente sobre, debajo y alrededor de los alimentos que se están asando. El aire caliente sella rápidamente en jugos para lograr un interior más húmedo y tierno mientras forma una capa dorada en el exterior.

Cuando use asar por convección, es importante que use la asadera y la rejilla. La asadera se usa para juntar los derrames de grasa y la rejilla se usa para evitar salpicaduras de grasa y permite que el aire caliente circule por debajo de la carne y aumente el dorado en la parte de abajo de la carne o el ave.

- Coloque la rejilla sobre la asadera.



Asado por convección con la sonda

Horno de pared

Cómo configurar el horno para asar por convección con la sonda

- 1 Coloque la parrilla en la posición más baja (A).
Inserte la sonda dentro de la carne. Lea la sección sobre *Uso de la sonda*.
- 2 Conecte la sonda en la toma dentro del horno.
Asegúrese de que esté bien conectada. Cierre la puerta del horno.
- 3 Toque **SONDA**.
- 4 En modelos de horno doble solamente, toque **HORNO SUPER.** u **HORNO INFER.** para seleccionar el horno deseado.
- 5 Toque **ACEPTAR**.
- 6 Toque los números para programar la temperatura interior deseada para la carne. (La temperatura interior máxima que se puede programar para la comida es de 200° F (93° C).)
- 7 Toque **ACEPTAR**.
- 8 Toque **ASAR CON CONVECCIÓN**.
- 9 Toque los números para programar la temperatura del horno deseada.
- 10 Toque **ACEPTAR**.
*La pantalla dará un aviso si la sonda es enchufada en la ficha del horno y no se configuró la temperatura de la sonda y se tocó **ACEPTAR**.*

11 Toque **INICIAR**.

El horno y las luces interiores del horno se encenderán inmediatamente y permanecerán de ese modo hasta que el horno se apague.

El ventilador de convección se encenderá (luego de una demora corta) y se visualizará 100° F (38° C) en la pantalla. (La pantalla de temperatura comenzará a cambiar una vez que la temperatura interior de la carne alcance los 100° F (38° C).)

Después que la temperatura interna de la carne alcanza 100° F (38° C), se mostrará en la pantalla el cambio de la temperatura interna.

- 12 Cuando la temperatura interna de la carne alcance la temperatura que configuró, la sonda y el horno se apagarán y el control del horno dará la señal. Para detener la señal, presione el botón **CLEAR/OFF (BORRAR/APAGAR)**. Utilice almohadillas con aislamiento térmico para quitar la sonda de la comida. No utilice tenazas para extraerla: las tenazas pueden dañarla.

⚠ PRECAUCIÓN: *para prevenir posibles quemaduras, no desenchufe la sonda del enchufe del horno hasta que el horno se haya enfriado. No almacene la sonda en el centro de cocina.*



Para mejores resultados cuando ase pavos o filetes grandes, recomendamos utilizar la sonda incluida en el horno por convección.

SONDA



Sólo en modelos de horno doble.

ACEPTAR



ACEPTAR

ASAR CON CONVECCIÓN



ACEPTAR

INICIAR

Para cambiar la temperatura del horno durante el ciclo de asado por convección, presione el botón **ASAR CON CONVECCIÓN** y luego presione los botones del número para configurar la nueva temperatura deseada.

NOTA:

- Si se quita la sonda de la comida antes de que se alcance la temperatura final, sonará un tono y la pantalla dará un aviso hasta que la sonda sea removida del horno.
- Escuchará un ventilador mientras está cocinando con esta característica. El ventilador se detendrá cuando la puerta e abra, pero el calor permanecerá.
- Usted puede utilizar el temporizador pero no puede utilizar las operaciones cronometradas del horno.
- En modelos de horno doble, no podrá usar la sonda en el horno superior durante operaciones cronometradas del horno. Esto se debe a que, con la sonda, se cocina por temperatura, en vez de por tiempo.

Asado por convección

Horno de pared

Guía para asar por convección

Carnes			Minutos/Lb	Temperatura del horno	Temperatura interna
Carne	Costillas, Costillas deshuesadas, Top Sirloin (3 a 5 lb)	Poco cocido	20 a 24	325°F	140°F†
		Medio	24 a 28	325°F	160°F
		Bien asado	28 a 32	325°F	170°F
	Lomo de res	Poco cocido	10 a 14	325°F	140°F†
		Medio	14 a 18	325°F	160°F
Cerdo	Con hueso, Deshuesado (3 a 5 lb)		23 a 27	325°F	170°F
	Chuletas (1/2 a 1 pulg. de espesor)	2 chuletas	30 a 35 total	325°F	170°F
		4 chuletas	35 a 40 total	325°F	170°F
6 chuletas		40 a 45 total	325°F	170°F	
Jamón	Enlatado, Butt, Shank (3 a 5 lb totalmente cocinado)		14 a 18	325°F	140°F
Cordero	Con hueso, Deshuesado (3 a 5 lb)	Medio	17 a 20	325°F	160°F
		Bien asado	20 a 24	325°F	170°F
Mariscos	Pescado, entero (3 a 5 lb)		30 a 40 total	400°F	
	Colas de langosta (6 a 8 onzas cada una)		20 a 25 total	350°F	
Aves	Pollo completo (2½ a 3½ lb)		24 a 26	350°F	180° a 185°F
	Gallina Cornish, no rellena (1 a 1½ lb)		50 a 55 total	350°F	180° a 185°F
	Rellena (1 a 1½ lb)		55 a 60 total	350°F	180° a 185°F
	Pato (4 a 5 lb)		24 a 26	325°F	180° a 185°F
	Pavo, completo*				
	No relleno (10 a 16 lb)		8 a 11	325°F	180° a 185°F
No relleno (18 a 24 lb)		7 a 10	325°F	180° a 185°F	
	Pechuga de pavo (4 a 6 lb)		16 a 19	325°F	170°F

*Las aves rellenas requieren generalmente 30 a 45 minutos de tiempo adicional de cocción. Cubra las patas y la pechuga con papel aluminio para evitar un sobredorado y la desecación de la piel.

† El Departamento de Agricultura de los EE.UU. indica que: "la carne a poco cocida es popular, pero usted debe saber que cocinarla a solamente 140 °F significa que algunos organismos venenosos podrían sobrevivir". (Fuente: *Safe Food Book. Your Kitchen Guide. USDA Rev. Junio 1985.*)

Horneado y asado con convección por tiempo

Horno de pared

Horneado y asado con convección por tiempo (Cómo configurar un Inicio inmediato y una parada automática)

En modelos de horno doble, puede utilizar la función de horneado cronometrado en un horno mientras utiliza la limpieza automática en el otro; también puede usar el horneado cronometrado en ambos hornos simultáneamente.

NOTA: no debe permitirse que los alimentos que se echan a perder fácilmente—como leche, huevos, pescado, rellenos, aves y cerdo—reposen por más de 1 hora antes o después de la cocción. La temperatura ambiente promueve el crecimiento de bacterias peligrosas.

El horno se encenderá inmediatamente y cocinará durante el tiempo seleccionado. Al final del tiempo de cocción, el horno se apagará automáticamente.

Asegúrese de que el reloj muestre la hora correcta del día.

- 1 Toque **HORNEAR CON CONVECCIÓN** o **ASAR CON CONVECCIÓN**.
- 2 En modelos de horno doble solamente, toque **HORNO SUPER.** u **HORNO INFER.** para seleccionar el horno deseado.
- 3 Dos opciones de parrilla están disponibles:
 - **UNA PARRILLA** – Toque esta función para cocinar comidas en una sola parrilla usando el Horneado con Convección.
 - **VARIAS PARRILLAS** – Toque esta función para cocinar comidas en más de una parrilla (es decir: en 2 o 3 parrillas) al mismo tiempo usando el Horneado con Convección. Para más información, lea la sección *Horneado con convección con varias parrillas*.
- 4 Toque los números para programar la temperatura deseada.
- 5 Toque **ACEPTAR**.
- 6 Toque los números para programar el tiempo de cocción deseado.
- 7 Toque **ACEPTAR**.
- 8 Las dos opciones de inicio inmediato y detención automática están disponibles:
 - **INICIO CON PRECALENT.** – Toque para precalentar el horno.
El ventilador de convección se encenderá al precalentar el horno. El control dará una señal cuando el horno esté precalentado; esto tomará 10 minutos aproximadamente. La pantalla mostrará la temperatura configurada.
La cocción programada no se iniciará hasta que el horno esté precalentado y se toque **INICIAR**.
Cuando el control dé la señal, coloque la comida en el horno.
 - **INICIO EN FRÍO** – Toque para iniciar el horno de forma inmediata y cocinar la comida sin precalentamiento. El ventilador de convección se encenderá. El tiempo de cocción se iniciará de forma inmediata.

HORNEAR CON CONVECCIÓN o ASAR CON CONVECCIÓN

HORNO SUPER. u HORNO INFER.

Sólo en modelos de horno doble.

UNA PARRILLA o VARIAS PARRILLAS

1 2 3 4 5
6 7 8 9 0

ACEPTAR

1 2 3 4 5
6 7 8 9 0

ACEPTAR

INICIO CON PRECALENT. o INICIO EN FRÍO

El horno comenzará y continuará la cocción durante la cantidad de tiempo programada, luego se apagará automáticamente, a menos que la función Cocinar y calentar estuviera programada. Lea la sección sobre la *Opción Cocinar y calentar*.

En modelos de horno doble solamente, para programar el segundo horno, seleccione **OPRIMA PARA SELEC. OPCIONES HORNO INFERIOR** u **OPRIMA PARA SELEC. OPCIONES HORNO SUPERIOR** según sea necesario y siga los pasos anteriores.

La temperatura configurada se puede cambiar tocando **CAMBIAR TIEMPO-TEMP** en el horno apropiado.

La configuración se puede cancelar tocando **CANCELAR** en el horno apropiado.

El contador se puede programar tocando **PROGRAMAR CONTADOR DE TIEMPO**. Lea la sección *Contador de tiempo*.

Una vez que la cocción esté completa, el horno dará una señal y se verá “MÁS TIEMPO” en la pantalla por cinco minutos. Compruebe que la comida se haya cocinado. Si se necesita más tiempo de cocción, toque **MÁS TIEMPO** e ingrese tiempo de cocción adicional. Si no se selecciona, la pantalla se borrará de forma automática en cinco minutos.

Horneado y asado con convección por tiempo

Horno de pared

Horneado y asado con convección por tiempo (Cómo configurar un inicio postergado y una parada automática)

Usted puede configurar el control del horno para que postergue el inicio, cocine durante un periodo específico de tiempo y luego se apague automáticamente. Lea también la sección de Opción de encendido diferido.

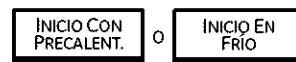
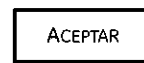
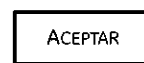
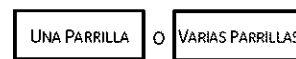
Asegúrese de que el reloj muestre la hora correcta del día.

- 1 Toque **HORNEAR CON CONVECCIÓN** o **ASAR CON CONVECCIÓN**.
- 2 En modelos de horno doble solamente, toque **HORNO SUPER.** u **HORNO INFER.** para seleccionar el horno deseado.
- 3 Dos opciones de parrilla están disponibles:
 - **UNA PARRILLA** – Toque esta función para cocinar comidas en una sola parrilla usando el Horneado con Convección.
 - **VARIAS PARRILLAS** – Toque esta función para cocinar comidas en más de una parrilla (es decir: en 2 o 3 parrillas) al mismo tiempo usando el Horneado con Convección. Para más información, lea la sección *Horneado con convección con varias parrillas*.
- 4 Toque los números para programar la temperatura deseada.
- 5 Toque **ACEPTAR**.
- 6 Toque los números para programar el tiempo de cocción deseado.
- 7 Toque **ACEPTAR**.
- 8 Toque **AGREGAR OPCIÓN DE HORNEADO**.
- 9 Toque **ENCENDIDO DIFERIDO**.
- 10 Dos opciones de configuración de hora de inicio diferido están disponibles.
 - **HORA DE INICIO DE COCCIÓN** – Toque y luego use los números para programar la cantidad de tiempo que desea que transcurra hasta que se inicie la cocción. Toque **ACEPTAR**. Por ejemplo, si desea que la cocción comience en 2 horas, ingrese **2, 0 y 0**.
 - **HORA FINAL DE COCCIÓN** – Toque y luego use los números para programar la cantidad de tiempo que desea que transcurra una vez finalizada la cocción. Toque **ACEPTAR**. Por ejemplo, si su tiempo de cocción es de 2 horas y desea servir la comida en 5 horas, entonces ingrese **5, 0 y 0** y el horno se iniciará en 3 horas.
- 11 Dos opciones de inicio están disponibles cuando el tiempo de inicio diferido se cumple:
 - **INICIO CON PRECALENT.** – Toque para seleccionar precalentar.
Cuando el tiempo de inicio diferido se cumple, el horno se encenderá y comenzará el precalentamiento.
El ventilador de convección se encenderá al precalentar el horno. El control dará una señal cuando el horno esté precalentado; esto tomará entre 10 y 15 minutos aproximadamente. La pantalla mostrará la temperatura configurada.
 - **INICIO EN FRÍO** – Toque esta función para que el horno se inicie inmediatamente (sin precalentamiento) cuando el tiempo de inicio diferido se cumpla. El ventilador de convección se encenderá.

En modelos de horno doble solamente, para programar el segundo horno, seleccione **OPRIMA PARA SELEC. OPCIONES HORNO INFERIOR** u **OPRIMA PARA SELEC. OPCIONES HORNO SUPERIOR** según sea necesario y siga los pasos anteriores.



Sólo en modelos de horno doble.



La temperatura configurada se puede cambiar tocando **CAMBIAR TIEMPO-TEMP** en el horno apropiado.

La configuración se puede cancelar tocando **CANCELAR** en el horno apropiado.

El contador se puede programar tocando **PROGRAMAR CONTADOR DE TIEMPO**. Lea la sección *Contador de tiempo*.

Cuando se cumpla el tiempo de inicio diferido, el horno comenzará y continuará la cocción durante la cantidad de tiempo programada, luego se apagará automáticamente, a menos que la función Cocinar y calentar estuviera programada. Lea la sección *Cocinar y calentar*.

Una vez que la cocción esté completa, el horno dará una señal y se verá "MÁS TIEMPO" en la pantalla por cinco minutos. Compruebe que la comida se haya cocinado. Si se necesita más tiempo de cocción, toque **MÁS TIEMPO** e ingrese tiempo de cocción adicional. Si no se selecciona, la pantalla se borrará de forma automática en cinco minutos.

Su control le permitirá crear (guardar), editar, usar o borrar una receta favorita.

Cree una receta

- 1 Toque **RECETA FAVORITA**.
- 2 Toque **CREAR RECETA**.
- 3 Toque las letras para crear el nombre de una receta. Toque **NÚM** para agregar un número. Toque **ESPAC.** para agregar un espacio entre letras o números. Toque **ATRÁS** para borrar un número o letras según sea necesario. Toque **LISTO** para guardar el nombre.
- 4 Toque **HORNEAR, ASAR, HORNEAR CON CONVECCIÓN** o **ASAR CON CONVECCIÓN** para seleccionar el modo de cocción.
- 5 Toque los números para programar la temperatura.
- 6 Toque **ACEPTAR**.
- 7 Toque los números para programar el tiempo de cocción deseado.
- 8 Toque **ACEPTAR**.



- 9 Toque **AGREGAR PRE-CALENTAMIENTO** para programar el precalentamiento o **CONTINUAR** para revisar la receta configurada.
- 10 Toque **GUARDAR Y CREAR NUEVO** para guardar la receta en la memoria pero no usarla esta vez. Toque **GUARDAR Y COCINAR AHORA** para guardar la receta en la memoria y también proceder a la cocción. Toque **CANCELAR** para borrar la receta.

Edite una receta guardada

- 1 Toque **RECETA FAVORITA**.
- 2 Toque **EDITAR RECETA**.
- 3 Toque **▲** o **▼** para resaltar la receta que desee editar.
- 4 Toque **ACEPTAR**.
- 5 Toque **▲** o **▼** para seleccionar la configuración que desee editar.
- 6 Toque **EDITAR** para cambiar la configuración.
- 7 Toque **LISTO**.
- 8 Toque **GUARDAR** o **GUARDAR Y COCINAR AHORA**.



Use una receta guardada

- 1 Toque **RECETA FAVORITA**.
- 2 Toque **USAR RECETA**.
- 3 Toque **▲** o **▼** para seleccionar la receta que desee usar.
- 4 Toque **ACEPTAR**.
- 5 Toque **INICIAR**.
- 6 En modelos de horno doble solamente, toque **HORNO SUPER.** u **HORNO INFER.** para seleccionar el horno deseado.



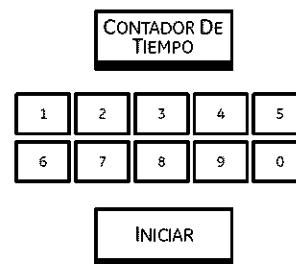
Borre una receta guardada

- 1 Toque **RECETA FAVORITA**.
- 2 Toque **ELIMINAR RECETA**.
- 3 Toque **▲** o **▼** para seleccionar la receta que desee borrar.
- 4 Toque **ACEPTAR**.
- 5 Toque **ELIMINAR**.
- 6 Toque **SÍ**.



Para programar el contador de tiempo

- 1 Toque **CONTADOR DE TIEMPO**.
- 2 En modelos de horno doble solamente, toque **HORNO SUPER.** u **HORNO INFER.** para seleccionar el contador para el horno deseado.
- 3 Toque los números hasta que la cantidad de tiempo que desea aparezca en la pantalla. Por ejemplo, para programar 2 horas y 45 minutos, toque **2, 4 y 5** en ese orden.
- 4 Toque **INICIAR**.



El **CONTADOR DE TIEMPO** se puede programar desde 1 minuto hasta 24 horas.

Este contador no controla las operaciones del horno.

Si el tiempo configurado o el tiempo restante es mayor o igual a una hora, la pantalla mostrará horas y minutos [HH: MM]. Las letras “H” y “M” aparecerán para indicar que el tiempo se expresa en horas y minutos. (Si se configura una o más horas, la pantalla no comenzará a mostrar el conteo de tiempo hasta que haya pasado un minuto.)

Si el tiempo configurado o el tiempo restante es menor a una hora, la pantalla mostrará minutos y segundos [MM: SS]. Las letras “M” y “S” aparecerán para indicar que el tiempo se expresa en minutos y segundos.

- 5 Cuando el contador llegue a **:00**, el control hará 3 son. agudos seguidos de un son. agudo cada 6 segundos hasta que se toque el **CONTADOR DE TIEMPO**.

El tono se puede cancelar siguiendo los pasos de la sección *Opciones-Configuración* en *Sonido/Volumen*.

Para cancelar el CONTADOR(ES) DE TIEMPO, toque **CANCELAR CONT. TIEMPO**.

Para reiniciar el CONTADOR(ES) DE TIEMPO, toque **CANCELAR CONT. TIEMPO** y configure un nuevo tiempo.

Bloqueo de controles

Su control le permitirá que bloquee los botones táctiles para que no puedan activarse al presionarlos.

NOTA: En los modelos de horno doble, esto activa el función en ambos hornos.

Para bloquear/desbloquear los controles:

- 1 Toque la tecla **CLEAR/OFF (BORRAR/APAGAR)** durante 3 segundos, hasta que la pantalla muestre **CONTROL BLOQUEADO**.
- 2 Para desbloquear el control, toque la tecla **CLEAR/OFF (BORRAR/APAGAR)** durante 3 segundos, hasta que aparezca la pantalla de inicio.

Cuando esta función está activada y se presionan los botones táctiles, el control emitirá un bip y aparecerá **CONTROL BLOQUEADO** en la pantalla.



NOTAS:

- El modo de control bloqueado afecta todos los controles excepto la tecla **CLEAR/OFF (BORRAR/APAGAR)**. Ninguna otra tecla táctil funcionará cuando esta función esté activada.
- El ajuste permanecerá en la memoria luego de una interrupción de la energía.

Antes de un ciclo de limpieza

La puerta del horno debe estar cerrada y todos los controles deben estar configurados correctamente para que el ciclo funcione apropiadamente.

Recomendamos ventilar su cocina dejando una ventana abierta o utilizando un ventilador o campana extractora durante el primer ciclo de autolimpieza.

Remueva del horno la bandeja para parrilla, rejilla para parrilla, sonda, todos los utensilios de cocina y cualquier residuo de papel aluminio.

Las parrillas del horno pueden autolimpiarse sin daño.

No utilice abrasivos o limpiadores de hornos. Limpie la parte superior, lados y parte exterior de la puerta del horno con jabón y agua.

Asegúrese de que esté puesta la cubierta de la bombilla eléctrica y que la luz esté apagada.

IMPORTANTE: la salud de algunas aves es extremadamente sensible a las emanaciones nocivas despididas durante el ciclo de autolimpieza de cualquier horno. Mueva las aves a otro cuarto bien ventilado.

NOTA: La Auto Limpieza no funcionará si la sonda de temperatura se enchufa o si la función Modo Sabático es configurada.

- En modelos de horno doble, puede configurar un ciclo de limpieza en ambos hornos simultáneamente. El último horno configurado retrasará automáticamente su inicio hasta que finalice el ciclo de limpieza del primero.
- En modelos de horno doble, puede usar el horneado cronometrado en un horno y la limpieza automática en el otro simultáneamente.

⚠ PRECAUCIÓN: nunca coloque los utensilios de cocina ni otros artículos sobre el piso del horno. Existe un elemento de calentamiento debajo del piso del horno. Colocar artículos sobre el piso del horno puede causar que el horno se sobrecaliente, resultando en daños para el horno y el riesgo de daños o incendio en los gabinetes.

Cómo ajustar el horno para limpieza

- 1 Toque **AUTOLIMPIEZA**.
- 2 En modelos de horno doble solamente, toque **HORNO SUPER.** u **HORNO INFER.** para seleccionar el horno deseado.
- 3 Tres opciones del contador de auto limpieza están disponibles:
 - **LIMPIEZA LIGERA** – Toque esta función para un tiempo de limpieza automática de 3 horas. Recomendado para uso al limpiar derrames pequeños y contenidos.
 - **LIMPIEZA NORMAL** – Toque esta función para un tiempo de limpieza automática de 5 horas. Recomendado para hornos con mayor suciedad.
 - **PERSONALIZAR** – Toque y, usando los números, configure un tiempo de limpieza de entre 3 y 7 horas y 30 minutos, dependiendo del grado de suciedad de su horno.
- 4 Toque **AHORA**.

La puerta se cierra automáticamente.
La pantalla mostrará el tiempo de limpieza restante. No será posible abrir la puerta del horno hasta que la temperatura sea inferior a la temperatura de bloqueo y que se desactive las palabras **HORNO BLOQUEADO**.

Al desactivarse la función **HORNO BLOQUEADO**, podrá entonces abrir la puerta.

- Las palabras **BLOQUEE LA PUERTA** aparecerán y el control del horno señalará si configuró el ciclo de limpieza y olvidó cerrar la puerta del horno.
- Para detener el ciclo de limpieza, toque la tecla **CANCELAR** o **CLEAR/OFF (BORRAR/ APAGAR)**. Cuando **HORNO BLOQUEADO** se desactive, indicando que la temperatura del horno está por debajo de la temperatura de bloqueo, entonces podrá abrir la puerta.

En modelos de horno doble, puede programar ambos hornos al mismo tiempo. La programación del segundo horno demorará de forma automática el inicio de la limpieza hasta que finalice el ciclo de limpieza del primer horno.



Para programar el segundo horno, se cuenta con dos opciones disponibles:

- Inmediatamente luego de programar el primer horno:

Seleccione **OPRIMA PARA SELEC. OPCIONES HORNO INFERIOR** u **OPRIMA PARA SELEC. OPCIONES HORNO SUPERIOR** según sea necesario y siguiendo los pasos 3 y 4.
- Desde la pantalla de inicio:
 - 1 Toque **AUTOLIMPIEZA**.
 - 2 Toque **LIMPIEZA LIGERA, LIMPIEZA NORMAL** o **PERSONALIZAR**. Lea la referencia más arriba.
 - 3 Toque **ENCENDER DESPUÉS DE LA 1ERA AUTOLIMPIEZA** para que el segundo horno inicie su limpieza luego de que el primero haya finalizado.

Cómo posponer el inicio de la limpieza

La puerta del horno debe estar cerrada y todos los controles deben estar configurados correctamente para que el ciclo funcione apropiadamente.

- Toque **AUTOLIMPIEZA**.
- En modelos de horno doble solamente, toque **HORNO SUPER.** u **HORNO INFER.** para seleccionar el horno deseado.
- Tres opciones del contador de auto limpieza están disponibles:
 - **LIMPIEZA LIGERA** – Toque esta función para un tiempo de limpieza automática de 3 horas. Recomendado para uso al limpiar derrames pequeños y contenidos.
 - **LIMPIEZA NORMAL** – Toque esta función para un tiempo de limpieza automática de 5 horas. Recomendado para hornos con mayor suciedad.
 - **PERSONALIZAR** – Toque y, usando los números, configure un tiempo de limpieza de entre 3 y 7 horas y 30 minutos, dependiendo del grado de suciedad de su horno.
- Toque **LUEGO**.
- Tres opciones de encendido diferido están disponibles:
 - **TIEMPO DE ESPERA** – Toque y luego use los números para programar la cantidad de tiempo que desea que transcurra hasta que se inicie la cocción. Toque **ACEPTAR**.
 - **HORA DE INICIO DE LA LIMPIEZA** – Toque y luego use los números para programar la hora del día en que desea que se inicie la limpieza. Toque **ACEPTAR**.
 - **HORA DE FINAL DE LA LIMPIEZA** – Toque y luego use los números para programar la hora del día en que desea que finalice la limpieza. Toque **ACEPTAR**.

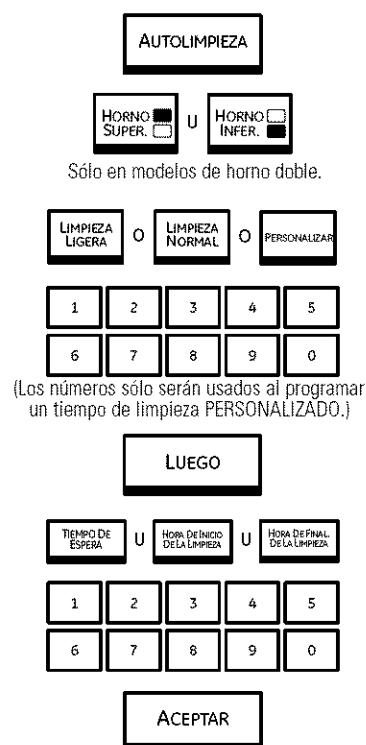
La puerta se cierra automáticamente. La pantalla mostrará la hora de inicio. No será posible abrir la puerta del horno hasta que la temperatura sea inferior a la temperatura de bloqueo y que se desactive las palabras **HORNO BLOQUEADO**.

Al desactivarse las palabras **HORNO BLOQUEADO**, podrá entonces abrir la puerta.

En modelos de horno doble, puede programar ambos hornos al mismo tiempo. La programación del segundo horno demorará de forma automática el inicio de la limpieza hasta que finalice el ciclo de limpieza del primer horno o hasta el tiempo de demora que haya programado.

Para programar el segundo horno se cuenta con dos opciones disponibles:

- Inmediatamente luego de programar el primer horno:
 - Seleccione **OPRIMA PARA SELEC. OPCIONES HORNO INFERIOR** u **OPRIMA PARA SELEC. OPCIONES HORNO SUPERIOR** según sea necesario y siguiendo los pasos 3 y 6 para el segundo horno.
- Desde la pantalla de inicio:



- Toque **AUTOLIMPIEZA**.
- Toque **LIMPIEZA LIGERA**, **LIMPIEZA NORMAL** o **PERSONALIZAR**. Lea la referencia más arriba.
- Toque **ENCENDER DESPUÉS DE LA 1ERA AUTOLIMPIEZA** para que el segundo horno inicie la misma de forma automática luego de que el primer horno haya finalizado la limpieza o **TIEMPO DE ESPERA** y siga el paso 6 más arriba para programar la hora en que desea que el segundo horno comience.

*Para recordar el tiempo restante o la hora de inicio programada, toque **AUTOLIMPIEZA**.*

- Para detener el ciclo de limpieza, toque la tecla **CANCELAR** o **CLEAR/OFF (BORRAR/APAGAR)**. Cuando **HORNO BLOQUEADO** se desactive, indicando que la temperatura del horno está por debajo de la de bloqueo, podrá entonces abrir la puerta.

Después de un ciclo de limpieza

Es posible que observe algunas cenizas blancas en el horno. Límpielas con un paño húmedo después de que el horno se enfríe.

Si las manchas blancas permanecen, remuévalas con un estropajo de acero lleno de jabón y enjuague generosamente con una mezcla de vinagre y agua. Estos depósitos son usualmente residuos de sal que el ciclo de limpieza no puede eliminar.

Si el horno no queda limpio después de un ciclo de limpieza, repita el ciclo.

- Usted no puede configurar el horno para cocción hasta que el horno esté lo suficientemente frío como para que la puerta se desbloquee.
- Mientras el horno esté en autolimpieza, usted puede presionar el botón **RELOJ** para mostrar en pantalla la hora del día. Para volver a la cuenta regresiva de limpieza, presione el botón **AUTOLIMPIEZA**.
- Si las parrillas se vuelven difíciles de deslizar, limpie los soportes de las parrillas con aceite de cocina.

Fermentar

La función de fermentar mantiene un ambiente tibio útil para levar los productos con levadura.

1 Coloque en el horno en las parrillas B o C y, para un mejor resultado, cubra la masa con una tela.

2 Toque **OPTIONS (OPCIONES)**.

3 Toque **FERMENTAR**.

La luz interior del horno se encenderá y luego girará durante la fermentación.

La función de fermentar proporciona automáticamente la temperatura óptima para el proceso de fermentar y, por lo tanto, no posee un ajuste de temperatura.

4 **En modelos de horno doble solamente,** toque **HORNO SUPER.** u **HORNO INFER.** para seleccionar el horno deseado.

5 Toque **INICIAR**.

6 Configure el **CONTADOR DE TIEMPO (KITCHEN TIMER)** en el tiempo de fermentar mínimo.

7 Cuando haya finalizado la fermentación, presione **CANCELAR**.

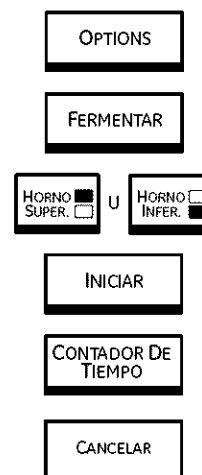
- La fermentación no funcionará cuando el horno supere los 125 °F (52 °C). En la pantalla se visualizará “EL HORNO ESTÁ DEMASIADO CALIENTE”.

- No es necesario precalentar el horno para la fermentación.

- Para evitar reducir la temperatura del horno y extender el tiempo de fermentar, no abra la puerta del horno sin necesidad.

- Controle los productos de pan con anticipación para evitar que leuden demasiado.

NOTA: No use el modo de fermentación para recalentar comida fría o para mantener comida caliente a temperatura. La temperatura del horno al fermentar no está lo suficientemente caliente para mantener comidas a temperaturas seguras. Use la función **CALENTAR** para mantener la comida caliente a temperatura.



Calentamiento

El calentamiento puede activarse para mantener tibios los alimentos cocidos calientes. Esta función no está diseñada para recalentar alimentos fríos.

- 1 Toque **OPTIONS (OPCIONES)**.
- 2 Toque **CALENTAR**.
- 3 En modelos de horno doble solamente, toque **HORNO SUPER.** u **HORNO INFER.** para seleccionar el horno deseado.
- 4 Toque para seleccionar la programación de temperatura automática en **ALTA, MEDIA** o **BAJA**.
- 5 Toque para seleccionar **CRUJIENTE** o **HÚMEDO**, dependiendo de si desea que la comida que calentará quede crujiente o húmeda.
- 6 Toque **INICIAR**.

Deje transcurrir un tiempo para que el horno se precaliente:

- BAJA** 8 minutos
- MEDIA** 15 minutos
- ALTA** 20 minutos

NOTA: El ventilador de convección se encenderá al usar la función **CRUJIENTE**.

En modelos de horno doble solamente, para configurar el segundo horno, seleccione **OPRIMA PARA SELEC. OPCIONES HORNO INFERIOR** u **OPRIMA PARA SELEC. OPCIONES HORNO SUPERIOR** según sea necesario y siga los pasos anteriores.

La temperatura configurada se puede cambiar tocando **CAMBIAR TIEMPO-TEMP** en el horno apropiado.

Las configuraciones se pueden cancelar tocando **CANCELAR** en el horno apropiado.

El contador se puede configurar tocando **PROGRAMAR CONTADOR DE TIEMPO**. Lea la sección *Contador de Tiempo*.

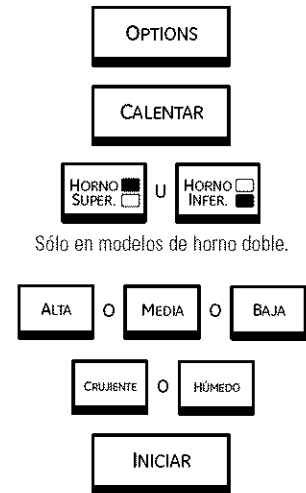
Para que ítems duros queden crocantes

- Coloque comida en platos o cacerolas con lados bajos.
- Para mejores resultados, coloque las comidas en una sola capa. No las amontone.
- Déjelas descubiertas.
- Precaliente en la configuración **BAJA**.
- Controle si está crocante luego de 45 minutos. Agregue tiempo según sea necesario.

⚠ PRECAUCIÓN: No mantenga la comida en el modo **calentar** por más de 2 horas.

NOTAS IMPORTANTES:

- La comida se debería mantener caliente en su contenedor de cocción o transferirla a un plato con protección térmica para servir.
- Es posible que recipientes de vidrio con protección térmica o cacerolas de vidrio cerámico necesiten una configuración más alta del termostato en comparación con las comidas en cacerolas metálicas.



- Para comidas húmedas, cubra las mismas con una tapa segura para el horno o papel de aluminio.
- No es necesario que cubra las comidas fritas o crocantes, pero se pueden secar demasiado si se las calienta durante mucho tiempo.
- La apertura repetida de la puerta permite que el aire caliente salga y que la comida se enfríe.
- Deje transcurrir un tiempo extra para que la temperatura interior del horno se estabilice luego de agregar los ítems.
- Con cantidades grandes es posible que sea necesario usar una configuración de termostato más alta y cubrir parte de los ítems de comida cocinados.
- Retire las cucharas para servir, etc., antes de colocar recipientes en el horno.
- No use recipientes ni tapas de plástico o envoltorios plásticos.

⚠ PRECAUCIÓN: Los recipientes o tapas de plástico o envoltorios plásticos se derretirán si se los coloca dentro del horno. Es posible que no pueda quitar el plástico derretido y esto no está cubierto por la garantía.

Para calentar tazones y platos para servir

Para calentar tazones y platos para servir, configure en control en **BAJO**.

- Use sólo platos resistentes al calor.
- Coloque los platos vacíos en la parrilla. Si desea platos más calientes o calentar porcelana fina, consulte al fabricante de los platos sobre el nivel de tolerancia máxima de calor.
- El plato para servir vacío se calentará mientras el horno se precalienta.
- Al mantener caliente comidas ya cocinadas y al calentar platos vacíos para servir al mismo tiempo, coloque los platos para servir en una parrilla ubicada más arriba y la comida en una parrilla ubicada en una posición inferior.

⚠ PRECAUCIÓN: Es posible que los platos estén calientes. Use sostenedores de ollas o guantes al retirar platos calientes.

Cuadro de selección de temperatura para comidas crocantes

Para mantener calientes varios tipos de comidas diferentes, programe la temperatura en la configuración para comidas que necesitan el grado más alto. Coloque los ítems que necesitan la configuración más alta en una parrilla de la parte inferior y los ítems que necesiten menos calor en una parrilla de la parte superior.

Tipo de comida	Configuración de control
Comidas fritas	ALTO
Pan, panes crocantes	MEDIO
Papas, horneadas	ALTO
Pizza	MEDIO
Tartas (doble crocante)	MEDIO
Tocino	ALTO
Tortilla Chips	BAJO

Consejos:

- Deje la comida descubierta.
- No use recipientes ni envoltorios de plástico.
- Precaliente antes de usar.

Cuadro de selección de temperatura para comidas húmedas

Para mantener calientes varios tipos de comidas diferentes, programe la temperatura en la configuración para comidas que necesitan el grado más alto. Coloque los ítems que necesitan la configuración más alta en una parrilla de la parte inferior y los ítems que necesiten menos calor en una parrilla de la parte superior.

Tipo de Comida	Configuración de Control
Bife, medio o bien cocido*	MEDIO
Cacerolas	MEDIO
Carne de ave	ALTO
Cerdo	MEDIO
Cereal cocido	MEDIO
Chili	ALTO
Cordero	MEDIO
Fruta	MEDIO
Huevos	MEDIO
Jamón	MEDIO
Pan, panes blandos	MEDIO
Panqueques, gofres	BAJO
Papas, pisadas	MEDIO
Pescado, mariscos	MEDIO
Salsa de la carne, salsas cremosas	MEDIO
Tartas (una capa crocante)	MEDIO
Vegetales	MEDIO

** USDA/FSIS recomienda una temperatura interior de 145° F (62° C) como mínimo para un bife. Use un termómetro para carne portátil para controlar las temperaturas interiores.*

Consejos:

- Cubra la comida con una tapa o papel de aluminio.
- No vierta agua en el horno.
- No use recipientes ni envoltorios de plástico.
- Precaliente antes de usar.

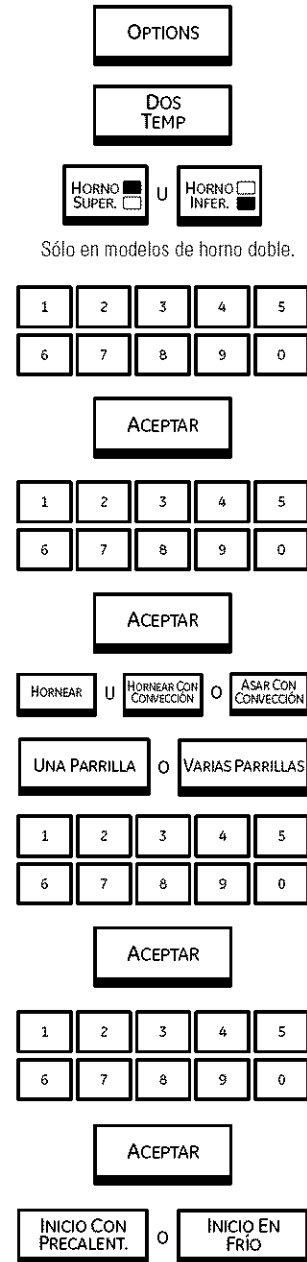
Opción – Dos temp

Horno de pared

Dos temp

Use esta función para configurar una temperatura con un primer tiempo de cocción y también una segunda temperatura con un segundo tiempo de cocción.

- 1 Toque **OPTIONS (OPCIONES)**.
- 2 Toque **DOS TEMP**.
- 3 **En modelos de horno doble solamente,** toque **HORNO SUPER.** u **HORNO INFER.** para seleccionar el horno deseado.
- 4 Toque los números para configurar la primera temperatura deseada.
- 5 Toque **ACEPTAR**.
- 6 Toque los números para configurar el primer tiempo de cocción deseado.
- 7 Toque **ACEPTAR**.
- 8 Toque **HORNEAR, HORNEAR CON CONVECCIÓN** o **ASAR CON CONVECCIÓN** según lo desee.
- 9 Si seleccionó **HORNEAR CON CONVECCIÓN**, toque **UNA PARRILLA** para una parrilla o **VARIAS PARRILLAS** para una cocción con dos o tres parrillas.
- 10 Toque los números para configurar la segunda temperatura deseada.
- 11 Toque **ACEPTAR**.
- 12 Toque los números para configurar el segundo tiempo de cocción deseado.
- 13 Toque **ACEPTAR**.
- 14 Toque **INICIO CON PRECALENT.** o **INICIO EN FRÍO**.



Cocinar y calentar

Su nuevo control posee una función "cook and hold" que mantiene los alimentos cocidos calientes durante un máximo de 3 horas luego de que finalice el asado cronometrado u horneado cronometrado.

NOTA: Esta función sólo puede programarse con el asado u horneado cronometrado. (Consulte la sección *Uso de las funciones de horneado cronometrado y asado cronometrado del horno*). Luego de que la función *Hornear por tiempo* o *Asar por tiempo* se haya detenido en forma automática y que la opción *MÁS TIEMPO* finalice, la opción programada de cocinar y calentar se iniciará automáticamente.

Hay dos formas de activar esta función para usarla luego de usar *Hornear por tiempo* o *Asar por tiempo*:

- **Luego de configurar *Hornear por tiempo* o *Asar por tiempo*:**
 - 1 Toque **AGREGAR OPCIÓN DE HORNEADO, AGREGAR OPCIÓN HORN. CON CONV. o AGREGAR OPCIÓN ASAR CON CONV.** dependiendo del modo de cocción que programe.
 - 2 Toque **COCINAR Y CALENTAR.**
 - 3 Toque **ACEPTAR.**
 - 4 Toque **INICIO CON PRECALENT. o INICIO EN FRÍO.**

COCINAR Y CALENTAR

- **Configure el uso de OPCIONES:**
 - 1 Toque **OPTIONS (OPCIONES).**
 - 2 Toque **COCINAR Y CALENTAR.**
 - 3 En modelos de horno doble solamente, toque **HORNO SUPER.** u **HORNO INFER.** para seleccionar el horno deseado.
 - 4 Toque **ACEPTAR.**
 - 5 Toque **HORNEAR, HORNEAR CON CONVECCIÓN, ASAR CON CONVECCIÓN o DOS TEMP.**
 - 6 Toque los números para ingresar la temperatura(s) y la hora(s).
 - 7 Toque **ACEPTAR.**
 - 8 Toque **INICIO CON PRECALENT. o INICIO EN FRÍO.**

Deshidratar

La deshidratación (secar) es un método usado para conservar frutas, vegetales, hierbas y carnes, ya que al eliminar la humedad de las bacterias, la levadura y el moho no pueden desarrollarse y arruinar la comida. El horno usa una temperatura programada automáticamente y el ventilador de convección para eliminar la humedad de las comidas, secando y conservando las mismas. Se debe observar que pasadas 12 horas es posible que se requiera secar algunas comidas.

Puede acceder a información precisa y completa sobre cómo secar la comida, disponible en su oficina de servicios de extensión cooperativa local. Para ubicar esta oficina en su área, busque en su directorio telefónico los listados del gobierno de su condado iniciando su búsqueda a partir del nombre de su condado.

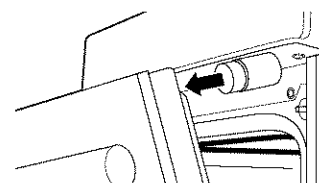
Durante la deshidratación, la puerta del horno debe permanecer parcialmente abierta para permitir la circulación de aire y la eliminación de humedad.

Use el seguro de la puerta para deshidratación, el cual viene incluido con su horno, para mantener la puerta abierta y que la deshidratación tome lugar.

- 1 Abra la puerta de horno.
- 2 Coloque el extremo imantado del seguro de la puerta sobre la superficie interior superior de la puerta del horno.
- 3 Cierre la puerta del horno, permitiendo que la misma se apoye contra el seguro.
- 4 Toque **OPTIONS (OPCIONES).**
- 5 Toque **DESHIDRATAR.**
- 6 En modelos de horno doble solamente, toque **HORNO SUPER.** u **HORNO INFER.** para seleccionar el horno deseado.
- 7 Ingrese la temperatura (máx. 200° F [93° C]).
- 8 Toque **ACEPTAR.**
- 9 Toque **INICIAR.**

NOTAS:

- Guarde el seguro de la puerta en un lugar seguro cuando no esté en uso.
- Use sólo el seguro de la puerta provisto con su horno y úselo solamente para deshidratar.
- No guarde el seguro de la puerta dentro del horno.
- Recuerde que preparar, tratar y guardar la comida de forma adecuada es esencial para la calidad y seguridad de la comida que se secó.



Coloque el extremo imantado sobre la superficie interior superior de la puerta del horno. Cierre la puerta contra el seguro de la misma.

OPTIONS

DESHIDRATAR

HORNO SUPER.

HORNO INFER.

ACEPTAR

INICIAR

Consejos útiles de deshidratación:

- Se pueden secar varias parrillas de comida de una sola vez.
- El tiempo de secado variará dependiendo de varios factores:
 - número de parrillas de comida
 - cantidad de comida en cada parrilla
 - tamaño, forma y grosor de la comida
 - tipo de bandejas de secado usadas
- Use recursos de conservación de comida, tales como su servicios de extensión cooperativa local, como guía para seleccionar bandejas de secado seguras para la comida.

Para ordenar un seguro de la puerta de reemplazo, llame a nuestro Centro Nacional de Piezas al 800.626.2002 y dé la referencia WB08T10024.

Comienzo demorado y detención automática

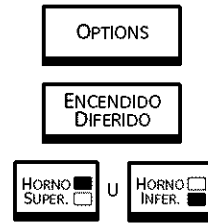
NOTA: no debe permitirse que los alimentos que se echan a perder fácilmente—como leche, pescado, rellenos, aves y cerdo—repositen por más de 1 hora antes o después de la cocción. La temperatura ambiente promueve el crecimiento de bacterias peligrosas.

Puede programar el control del horno para demorar-iniciar el horno en Hornear, Hornear con Convección o Asar con Convección durante un período de tiempo específico y que luego se apague de forma automática. Lea también Hornear por tiempo y Asar por tiempo y las secciones de Hornear con convección por tiempo y Asar por tiempo.

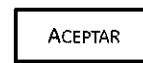
Asegúrese que el reloj marque la hora correcta del día.

- 1 Toque **OPTIONS (OPCIONES)**.
- 2 Toque **ENCENDIDO DIFERIDO**.
- 3 **En modelos de horno doble solamente**, toque **HORNO SUPER.** u **HORNO INFER.** para seleccionar el horno deseado.
- 4 Dos opciones de encendido diferido están disponibles:
 - **HORA DE INICIO DE COCCIÓN** – Toque y luego use los números para programar la cantidad de tiempo que desea que transcurra hasta que se inicie la cocción. Toque **ACEPTAR**. Por ejemplo, si desea que la cocción comience en 2 horas, ingrese **2, 0 y 0**.
 - **HORA FINAL DE COCCIÓN** – Toque y luego use los números para programar la cantidad de tiempo que desea que transcurra una vez finalizada la cocción. Toque **ACEPTAR**. Por ejemplo, si son las 12:00, su tiempo de cocción es de 2 horas y desea servir la comida a las 5:00, entonces ingrese **3, 0 y 0**.
- 5 Toque **HORNEAR, HORNEAR CON CONVECCIÓN** o **ASAR CON CONVECCIÓN** según lo desee.
- 6 Toque los números para configurar la temperatura deseada.
- 7 Toque **ACEPTAR**.
- 8 Toque los números para configurar el tiempo de cocción deseado.
- 9 Toque **ACEPTAR**.
- 10 Dos opciones de inicio están disponibles cuando el tiempo de inicio diferido se cumple:
 - **INICIO CON PRECALENT.** – Toque para seleccionar precalentar. Cuando el tiempo de inicio diferido se cumple, el horno se encenderá y comenzará el precalentamiento. Las luces del horno se encenderán y permanecerán encendidas hasta que el horno se apague. El ventilador de convección se encenderá al precalentar el horno. El control dará una señal cuando el horno esté precalentado; esto tomará 10 minutos aproximadamente. La pantalla mostrará la temperatura configurada.
 - **INICIO EN FRÍO** – Toque esta función para que el horno se inicie inmediatamente (sin precalentamiento) cuando el tiempo de inicio diferido se cumple. Las luces del horno se encenderán y permanecerán encendidas hasta que el horno se apague. El ventilador de convección también se encenderá.

En modelos de horno doble solamente, para configurar el segundo horno, seleccione **OPRIMA PARA SELEC. OPCIONES HORNO INFERIOR** u **OPRIMA PARA SELEC. OPCIONES HORNO SUPERIOR** según sea necesario y siga los pasos anteriores.



Sólo en modelos de horno doble.



La temperatura configurada se puede cambiar tocando **CAMBIAR TIEMPO-TEMP** en el horno apropiado.

Las configuraciones se pueden cancelar tocando **CANCELAR** en el horno apropiado.

El contador se puede configurar tocando **PROGRAMAR CONTADOR DE TIEMPO**. Lea la sección *Contador de tiempo*.

Cuando se cumpla el tiempo de inicio diferido, el horno comenzará y continuará la cocción durante la cantidad de tiempo programada, luego se apagará automáticamente, a menos que la función Cocinar y calentar estuviera programada. Lea la sección *Cocinar y calentar*.

Una vez que la cocción esté completa, el horno dará una señal y se verá "MÁS TIEMPO" en la pantalla por cinco minutos. Compruebe que la comida se haya cocinado. Si se necesita más tiempo de cocción, toque **MÁS TIEMPO** e ingrese tiempo de cocción adicional. Si no se selecciona, la pantalla se borrará de forma automática en cinco minutos.

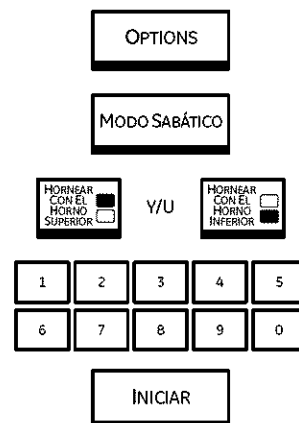
**Modo Sabático—
Cómo programar un horneado/asado común**
(Diseñada para utilizarse en el Sabbath judío y días festivos) (en algunos modelos)

La característica Sabbath puede utilizarse únicamente para horneado/asado. No puede utilizarse para convección, asado a la parrilla, autolimpieza o Delay Start.

- 1 Toque **OPTIONS (OPCIONES)**.
- 2 Toque **MODO SABÁTICO**.
Luego de iniciar la pantalla en MODO SABÁTICO, las teclas de la pantalla táctil no sonarán. Cambiarán de color para indicar que fueron programadas.
- 3 **En modelos de horno doble solamente**, toque **HORNO SUPER.** y/u **HORNO INFER.** para seleccionar el horno(s) deseado.
- 4 Toque los números para configurar la temperatura deseada entre 170° F (77° C) y 550° F (288° C). No se dará ninguna señal ni temperatura.
- 5 Toque **INICIAR**.
- 6 Luego del período de demora al azar de entre aproximadamente 30 segundos y 1 minuto, el horno comenzará a hornear/asar. La pantalla táctil no cambiará y la luz del horno se desactivará.

Para ajustar la temperatura del horno, repita los pasos 3, 4, 5 y 6.

Para cancelar la opción Modo Sabático, toque y sostenga **ANULAR-PRESIONAR 3 SEG** durante 3 segundos.



NOTAS: ANULAR-PRESIONAR 3 SEG, CLEAR/OFF (BORRAR/APAGAR) y ANULAR son las únicas teclas que están inmediatamente activas durante el horneado en modo Sabático. Estas teclas cancelarán la operación actual de horneado en forma inmediata luego de ser presionadas y sólo se las debe presionar una vez finalizado el modo Sabático. Todas las demás teclas cuentan con un efecto de demora.

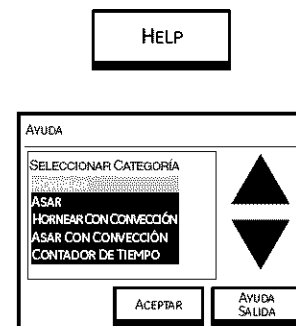
Si se produjera un corte de luz mientras el horno se encuentra en modo Sabático, el horno se apagará automáticamente y permanecerá apagado incluso cuando regrese la luz. El modo Sabático se reanudará y sólo la operación de horneado será cancelada.

NOTA: Si el modo de horneado o un modo de horneado programado se encuentra activo antes de entrar en el modo Sabático, dichos modos de horneado aún estarán activos luego de entrar en el modo Sabático. El resto de los modos de cocción serán cancelados luego de que el modo Sabático comience.

Función de ayuda

Toque esta tecla para conocer más sobre las características de su horno.

- 1 Toque la tecla **HELP**.
- 2 Toque la flecha ▲ (arriba) o ▼ (abajo) para seleccionar la función deseada.
- 3 Toque **ACEPTAR**.
- 4 Toque la flecha ▼ (abajo), si está presente, para visualizar todo el texto de AYUDA.
- 5 Toque **AYUDA SALIDA** para salir de la pantalla de AYUDA.



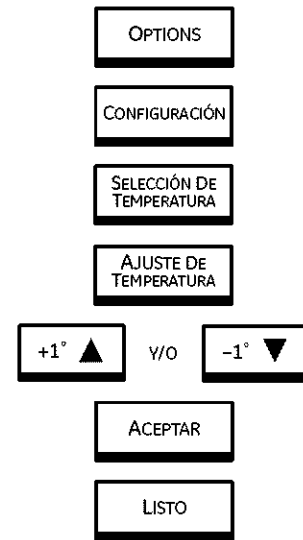
Ajuste del termostato del horno: ¡Hágalo usted mismo!

Usted se puede percatar que su horno nuevo cocina distinto al que reemplazó. Use su horno nuevo por varias semanas para familiarizarse con él. Si aún piensa que su horno nuevo es demasiado caliente o demasiado frío, usted puede ajustar el termostato usted mismo.

No use termómetros, como los que se venden en tiendas de aprovisionamiento para inspeccionar la temperatura de su horno. Estos termómetros podrían variar de 20 a 40 grados.

NOTA: este ajuste sólo afectará la temperatura de horneado y asado; no afecta las temperaturas de asado a la parrilla, convección o autolimpieza. El ajuste se almacenará en la memoria después de una falla eléctrica.

- 1 Toque **OPTIONS (OPCIONES)**.
- 2 Toque **CONFIGURACIÓN**.
- 3 Toque **SELECCIÓN DE TEMPERATURA**.
- 4 Toque **AJUSTE DE TEMPERATURA**.
- 5 La temperatura del horno se puede ajustar hasta (+) 35° F (20° C) más caliente o (-) 35° F (20° C) más fría. Toque +1° ▲ o -1° ▼ para aumentar o disminuir el ajuste de temperatura por incrementos de 1°.



- 6 Una vez realizado el ajuste, toque **ACEPTAR** y **LISTO**. Use su horno como lo haría normalmente.

Para ajustar el reloj

El reloj debe ser ajustado en la hora correcta del día para que las funciones automáticas cronometradas del horno funcionen apropiadamente. La hora del día no puede cambiarse durante un ciclo de horneado cronometrado o autolimpieza.

- 1 Toque **OPTIONS (OPCIONES)**.
- 2 Toque **CONFIGURACIÓN**.
- 3 Toque **RELOJ**.
- 4 Toque **CONFIGURACIÓN DE LA HORA**.
- 5 **Tres opciones están disponibles:**
 - Para programar un tiempo diario de 12 horas: Toque **12 HORAS**, toque **PROGRAMAR HORA**, ingrese el horario en horas y minutos de 1:00 a 12:59, toque **AM** o **PM**, toque **INICIAR** y toque **ACEPTAR**.
 - Para programar un horario (militar) de 24 horas: Toque **24 HORAS**, toque **PROGRAMAR HORA**, ingrese el horario en horas y minutos de 00:01 a 23:59, toque **INICIAR** y toque **ACEPTAR**.
 - Para programar el horario de verano: Toque **HORARIO DE VERANO**, toque **RETROCEDER 1 HORA** para ir una hora hacia atrás o toque **ADELANTAR 1 HORA** para ir una hora hacia delante.
- 6 Toque **PROGRAMAR HORA**.
- 7 Toque los números para ingresar la hora actual en horas y minutos.
- 8 Toque **AM** o **PM**.
- 9 Toque **ACEPTAR**.



Asegúrese de que el reloj sea ajustado en la hora correcta del día.

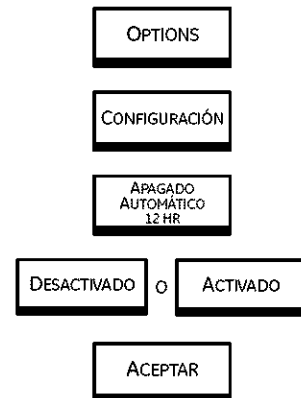
Apagado automático 12 Hr

Con esta característica, si se olvida y deja el horno encendido, el control apagará el horno después de 12 horas automáticamente durante las funciones de horneado o después de 3 horas durante una función de asado a la parrilla.

NOTA: En los modelos de horno doble, esto activa dicha función especial para ambos hornos.

Siga los pasos a continuación:

- 1 Toque **OPTIONS (OPCIONES)**.
- 2 Toque **CONFIGURACIÓN**.
- 3 Toque **APAGADO AUTOMÁTICO 12 HR**.
- 4 Toque **DESACTIVADO** o **ACTIVADO**.
- 5 Toque **ACEPTAR**.



Apagado del reloj

Si prefiere que la pantalla del reloj esté apagada, siga los pasos siguientes:

- 1 Toque **OPTIONS (OPCIONES)**.
- 2 Toque **CONFIGURACIÓN**.
- 3 Toque **RELOJ**.
- 4 Toque **DESPLEGAR**.
- 5 Toque **SIEMPRE ENCENDIDO**.
- 6 Toque **ACEPTAR**.
- 7 Toque **ACEPTAR** nuevamente.

NOTA: si el reloj está en el modo suprimido, no podrá utilizar la función Delay Start.

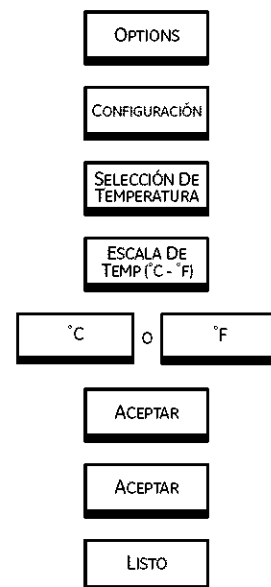


Selección de temperatura en grados Fahrenheit o Centígrados

Su control del horno está configurado para utilizar las selecciones de temperatura en grados Fahrenheit, pero se puede cambiar utilizando las selecciones en grados Centígrados.

- 1 Toque **OPTIONS (OPCIONES)**.
- 2 Toque **CONFIGURACIÓN**.
- 3 Toque **SELECCIÓN DE TEMPERATURA**.
- 4 Toque **ESCALA DE TEMP (°C-°F)**.
- 5 Toque °F para Fahrenheit o toque °C para Celsius.
- 6 Toque **ACEPTAR**.
- 7 Toque **ACEPTAR** nuevamente.
- 8 Toque **LISTO**.

NOTA: En modelos de horno doble, la nueva configuración se aplicará a ambos hornos.



Conversión Auto Recipe™
(Adaptación automática de recetas)
(en algunos modelos)

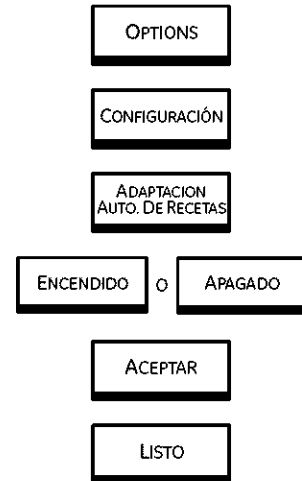
Cuando utilice el horneado por convección, la característica **Conversión Auto Recipe™** convertirá automáticamente las temperaturas de horneado regular ingresadas en las temperaturas de horneado por convección.

Una vez esté activada la característica, la pantalla mostrará la temperatura real convertida (reducida). Por ejemplo, si usted ingresa una temperatura de una receta normal de 350 °F (177 °C) y presiona el botón **INICIAR**, la pantalla mostrará **CON** y la temperatura convertida de 325 °F (163 °C).

NOTA: esta característica no convierte los tiempos de cocción del horneado por convección, sólo las temperaturas normales de horneado.

Para activar/ desactivar la función:

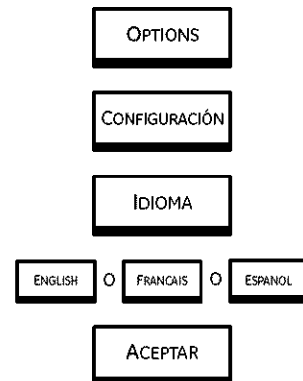
- 1 Toque **OPTIONS (OPCIONES)**.
- 2 Toque **CONFIGURACIÓN**.
- 3 Toque **ADAPTACIÓN AUTO. DE RECETAS**.
- 4 Toque **ENCENDIDO** para encender la opción de auto conversión o **APAGADO** para apagar la opción.
- 5 Toque **ACEPTAR**.
- 6 Toque **LISTO**.



Idioma

Esta opción le permite que el idioma de la pantalla táctil esté en inglés, español o francés.

- 1 Toque **OPTIONS (OPCIONES)**.
- 2 Toque **CONFIGURACIÓN**.
- 3 Toque **IDIOMA**.
- 4 Toque **ENGLISH, FRANÇAIS o ESPAÑOL**.
- 5 Toque **ACEPTAR**.



Color de la pantalla

Esta opción le permite cambiar los colores de la pantalla táctil.

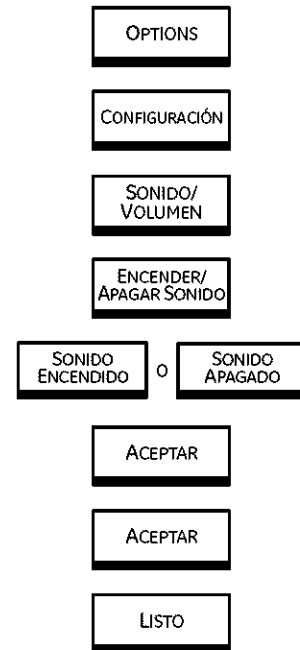
- 1 Toque **OPTIONS (OPCIONES)**.
- 2 Toque **CONFIGURACIÓN**.
- 3 Toque **COLOR DE LA PANTALLA**.
- 4 Toque los colores deseados.
- 5 Toque **ACEPTAR**.



Encender/ apagar sonido

Esta opción le permite encender o apagar el son. agudo que se produce al tocar una tecla.

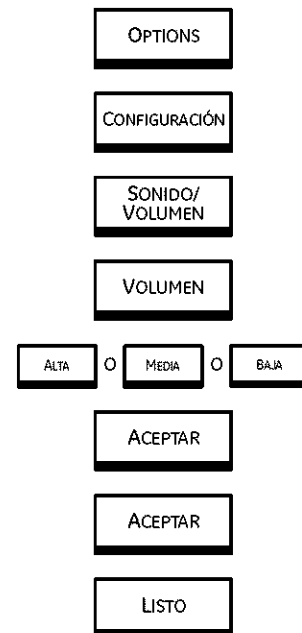
- 1 Toque **OPTIONS (OPCIONES)**.
- 2 Toque **CONFIGURACIÓN**.
- 3 Toque **SONIDO/VOLUMEN**.
- 4 Toque **ENCENDER/APAGAR SONIDO**.
- 5 Toque **SONIDO ENCENDIDO** para que las teclas emitan un son. agudo al tocarlas o toque **SONIDO APAGADO** para eliminar el son. agudo al tocar las teclas.
- 6 Toque **ACEPTAR**.
- 7 Toque **ACEPTAR** nuevamente.
- 8 Toque **LISTO**.



Volumen del sonido

Esta función le permite ajustar los volúmenes de sonido en un volumen más aceptable. Hay tres niveles de volumen posibles.

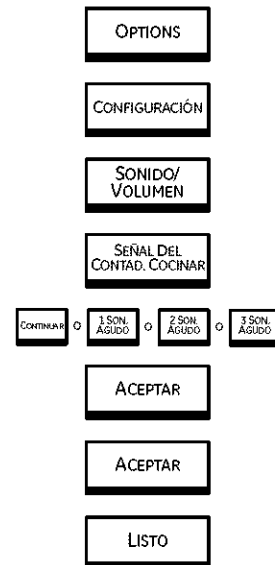
- 1 Toque **OPTIONS (OPCIONES)**.
- 2 Toque **CONFIGURACIÓN**.
- 3 Toque **SONIDO/VOLUMEN**.
- 4 Toque **VOLUMEN**.
- 5 Toque **ALTA, MEDIA** o **BAJA** para seleccionar el nivel de sonido de las teclas al tocarlas.
- 6 Toque **ACEPTAR**.
- 7 Toque **ACEPTAR** nuevamente.
- 8 Toque **LISTO**.



Señal del contad. cocinar

Esta opción le permite programar el tipo de señal usada al finalizar un ciclo configurado.

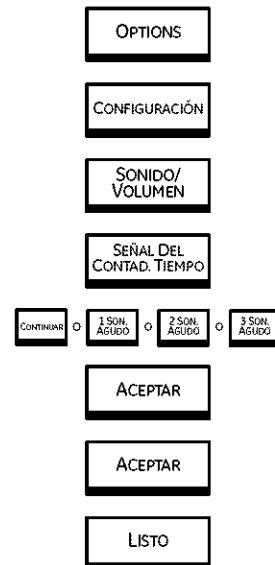
- 1 Toque **OPTIONS (OPCIONES)**.
- 2 Toque **CONFIGURACIÓN**.
- 3 Toque **SONIDO/VOLUMEN**.
- 4 Toque **SEÑAL DEL CONTAD. COCINAR**.
- 5 Toque **CONTINUAR**, **1 SON. AGUDO**,
2 SON. AGUDO o **3 SON. AGUDO**.
- 6 Toque **ACEPTAR**.
- 7 Toque **ACEPTAR** nuevamente.
- 8 Toque **LISTO**.



Señal del contad. tiempo

Esta opción le permite programar el tipo de señal usada para la señal del contad. tiempo.

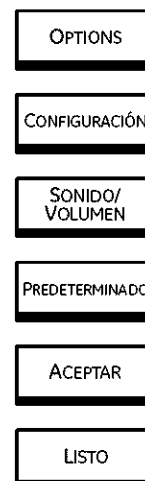
- 1 Toque **OPTIONS (OPCIONES)**.
- 2 Toque **CONFIGURACIÓN**.
- 3 Toque **SONIDO/VOLUMEN**.
- 4 Toque **SEÑAL DEL CONTAD. TIEMPO**.
- 5 Toque **CONTINUAR**, **1 SON. AGUDO**,
2 SON. AGUDO o **3 SON. AGUDO**.
- 6 Toque **ACEPTAR**.
- 7 Toque **ACEPTAR** nuevamente.
- 8 Toque **LISTO**.



Sonido/volumen predeterminado

Esta opción le permite programar automáticamente todas las señales en la configuración predeterminada.

- 1 Toque **OPTIONS (OPCIONES)**.
- 2 Toque **CONFIGURACIÓN**.
- 3 Toque **SONIDO/VOLUMEN**.
- 4 Toque **PREDETERMINADO**.
- 5 Toque **ACEPTAR**.
- 6 Toque **LISTO**.



Cuidado y limpieza

Horno de pared

ANTES DE LIMPIAR CUALQUIER PARTE DEL HORNO, ASEGÚRESE DE QUE EL SUMINISTRO ELÉCTRICO ESTÉ DESCONECTADO Y TODAS LAS SUPERFICIES ESTÉN FRÍAS.

Elementos calentadores del horno

No limpie el elemento para asar a la parrilla. Cualquier suciedad se quemará cuando se caliente el elemento.

El elemento para hornear no está expuesto, está debajo del piso del horno. Si se acumulan excedentes, residuos o cenizas en el piso del horno, limpie antes de la autolimpieza.

Asadera y rejilla

Luego de asar a la parrilla, retire la asadera y la rejilla del horno. Retire la rejilla de la asadera. Vierta cuidadosamente la grasa de la asadera en un contenedor adecuado. Lave y enjuague la asadera y la parrilla con agua caliente y una esponja con jabón o de plástico.

Si se han pegado alimentos, salpique la rejilla con detergente mientras está caliente y cúbrala con toallas de papel mojadas o un repasador. Si remoja la asadera se removerán los alimentos pegados.

La asadera y la rejilla pueden limpiarse con un limpiador de hornos comercial.

La asadera y la rejilla también pueden limpiarse en el lavaplatos.

No almacene una asadera o rejilla sucia en ningún lugar del horno.

PRECAUCIÓN: no limpie la asadera ni la rejilla en un horno autolimpiante.

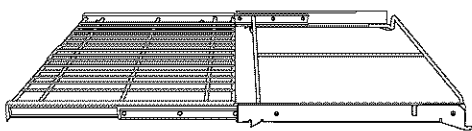


Parrillas para hornos

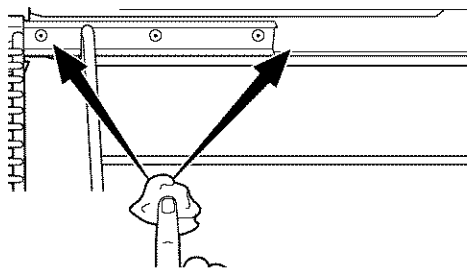
Las parrillas pueden permanecer en el horno durante el ciclo de autolimpieza sin dañarse.

Periódicamente, luego de varios ciclos de autolimpieza, las parrillas del horno pueden necesitar ser lubricadas usando la Lubricación de grafito que viene con su horno de pared. Para pedir una Lubricación de grafito adicional, comuníquese con nuestro Centro nacional de piezas al **800.626.2002** y refiérase a **WB02T10303**.

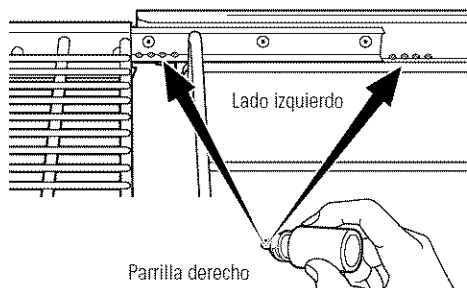
- 1 Retire la parrilla del horno. Consulte la sección *Parrillas de horno de extensión completa*.
- 2 Extienda la parrilla por completo en una mesa o encimera. Debe colocarse periódico debajo de la parrilla para facilitar la limpieza.



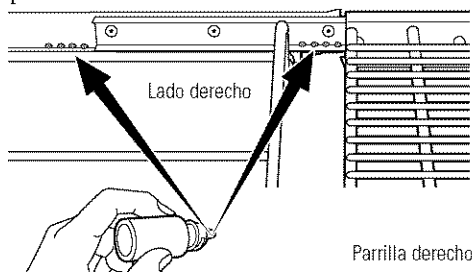
- 3 Si hay desechos en las vías de los rieles, límpielas con una toalla de papel. **NOTA:** debe volver a colocarse cualquier lubricante de grafito que se haya eliminado.



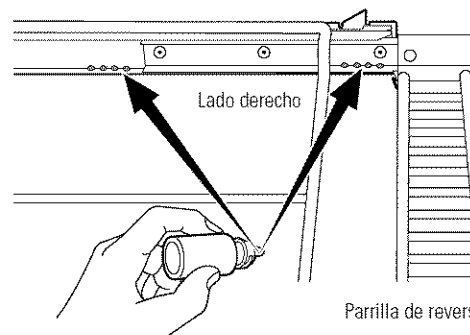
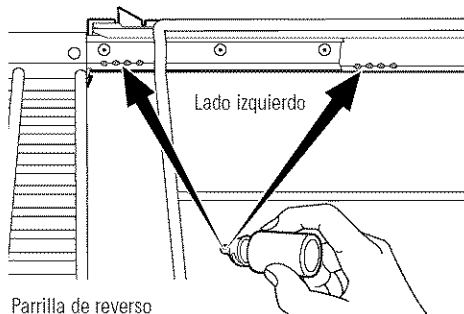
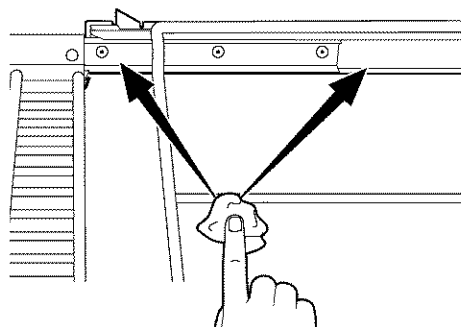
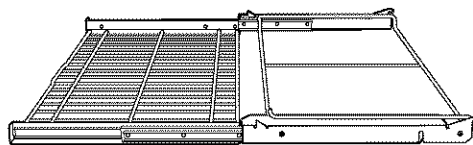
- 4 Agite el lubricante de grafito antes de abrirlo. Comenzando con el mecanismo de deslizamiento izquierdo de la parrilla, coloque (4) gotas pequeñas de lubricante en las (2) vías inferiores del deslizador cercano a los soportes.



- 5 Repita para el mecanismo deslizante derecho de la parrilla.



- 6 Abra y cierre la parrilla varias veces para distribuir el lubricante.
- 7 Vuelva a colocar la tapa en el lubricante y agítelo nuevamente. Dé vuelta la parrilla y repita los pasos 3, 4, 5 y 6.



- 8 Cierre la parrilla, gírela y colóquela en el horno. Consulte la sección *Parrillas de horno de extensión completa*.
- 9 Repita los pasos anteriores para cada parrilla. **NOTA:** no rocíe con Pam® ni otros sprays lubricantes.

Puerta extraíble del horno—extracción

La puerta es muy pesada. Tenga cuidado al quitar y levantar la puerta.

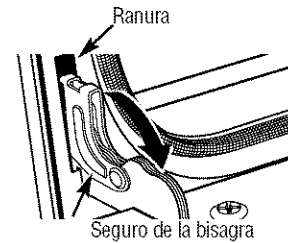
No levante la puerta de la manija.

Para quitar la puerta:

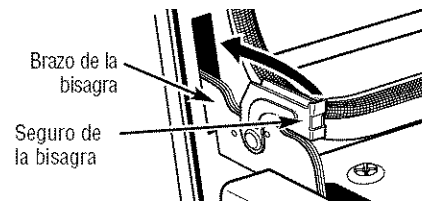
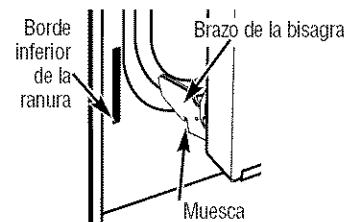
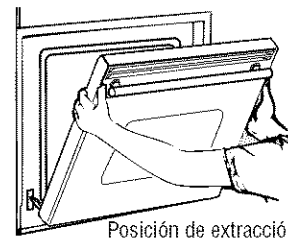
- 1 Abra la puerta por completo.
- 2 Tire hacia abajo los seguros de la bisagra hacia el marco de la puerta, y colóquelos en la posición de desbloqueo. Podrá ser necesario utilizar una herramienta, como un destornillador pequeño de hoja plana.
- 3 Sujete con firmeza ambos lados de la puerta *en la parte superior*.
- 4 Cierre la puerta hasta la posición de remoción, que es casi todo el recorrido y levántela hacia arriba y hacia afuera hasta que la bisagra salga de la ranura.

Para volver a colocar la puerta:

- 1 Sujete con firmeza ambos lados de la puerta *en la parte superior*.
- 2 Con la puerta en el mismo ángulo que la posición de extracción, coloque la muesca del brazo de la bisagra en el borde inferior de la ranura de la bisagra. La muesca en el brazo de la bisagra debe estar bien asentada en la parte inferior de la ranura.
- 3 Abra la puerta por completo. Si la puerta no se abre completamente, la muesca no está asentada correctamente en el borde inferior de la ranura.
- 4 Empuje los seguros de la bisagra hacia arriba contra el marco delantero de la cavidad del horno y colóquelos en la posición de bloqueo.
- 5 Cierre la puerta del horno.



Tire los seguros de la bisagra hacia abajo para desbloquearlos



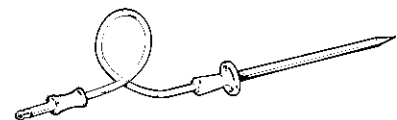
Empuje los seguros de la bisagra hacia arriba para bloquearlos

Sonda

La sonda de temperatura puede limpiarse con agua y jabón o con una esponja limpiadora llena con jabón. Enfríe la sonda de temperatura antes de limpiarla. Quite las manchas rebeldes con una esponja limpiadora llena con jabón, enjuáguelas y séquelas.

No introduzca la sonda de temperatura en el agua.

No almacene la sonda de temperatura en el horno.



Luces del horno

Cada horno está equipado con dos unidades de luces halógenas ubicados en las paredes laterales del mismo. Las luces se encienden cuando la puerta se abre o cuando el horno está en un ciclo de cocción. Las luces del horno no se encienden durante la autolimpieza o si está configurada la función Sabbath.

Cada unidad de luces consiste en una cubierta de luz removible con dos trabas, un compartimiento de luz con tres portalámparas y tres bombillas de luz halógena.

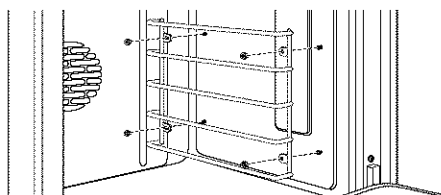
PRECAUCIÓN: antes de cambiar la bombilla, desconecte la energía eléctrica en el fusil principal o en el panel del disyuntor.

Asegúrese de dejar enfriar por completo la cubierta de la luz y la bombilla.

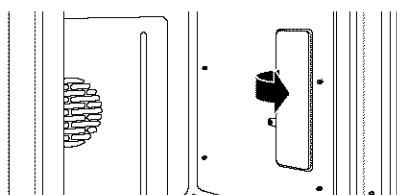
Para su seguridad, no toque una bombilla caliente con las manos ni con un trapo húmedo.

Para retirar:

- 1 Retire las parrillas del horno. Consulte la sección *Parrillas de horno de extensión completa*.
- 2 Con una llave ajustable, retire las cuatro tuercas que sostienen el soporte de la parrilla sobre la unidad de luz.

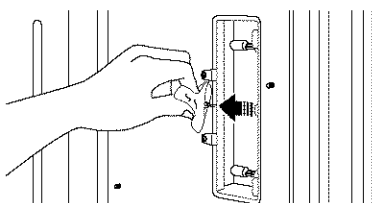


- 3 Retire la cubierta de vidrio de la luz tirando de su borde posterior hacia usted. No retire ningún tornillo.



NOTA: las dos trabas pueden caerse de la cubierta de vidrio de la luz. Luego del cambio, deberán ser colocadas en la posición correcta sobre la cubierta de la luz y presionadas hacia adentro de la unidad hasta que calcen.

- 4 Usando guantes o un trapo seco, quite la bombilla de luz quemada tirando hacia afuera.



Para volver a colocar:

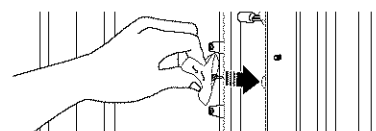
Use una bombilla de halógeno de 120 voltios nueva, con clavijas G8, que no exceda los 25 vatios.

Las bombillas de repuesto pueden comprarse llamando al 800.626.2002. Pida el número de pieza **WB25T10064**.

NOTA: las bombillas con mayor voltaje dañarán su horno.

Usando guantes o un trapo seco, retire la bombilla de su empaque. **No toque la bombilla con los dedos.** La grasa de los dedos puede provocar manchas calientes en la superficie del vidrio y hacer que la bombilla tenga menor vida útil. Si toca el vidrio, límpielo con alcohol antes de colocarlo.

- 1 Empuje la bombilla dentro del receptáculo.



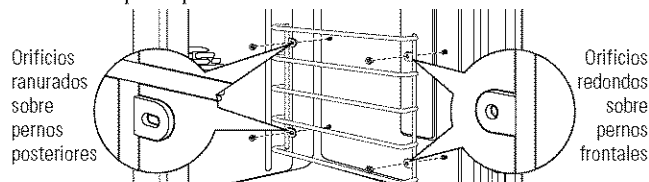
- 2 Vuelva a poner la cubierta de la luz, colocando su borde frontal debajo de las dos lengüetas frontales de la unidad de luz. Coloque el borde trasero en su lugar, asegurándose que encaje firmemente.

NOTA: si las trabas se caen de la cubierta del lente de vidrio, sujételas sobre la cubierta, en la posición correcta, mientras vuelve a colocar la cubierta sobre la unidad de luz.

La cubierta de la luz debe estar en su lugar cuando utilice el horno.

Para mejorar la iluminación dentro del horno, limpie frecuentemente la cubierta de vidrio utilizando un trapo mojado. Esto puede realizarse cuando el horno está apagado, desconectado de la energía eléctrica y completamente frío.

- 3 Coloque el soporte de la parrilla con los orificios ranurados sobre los pernos posteriores y los orificios redondos sobre los pernos frontales. Asegure levemente con las cuatro tuercas retiradas anteriormente, pero no ajuste demasiado para que no se salte el esmalte.

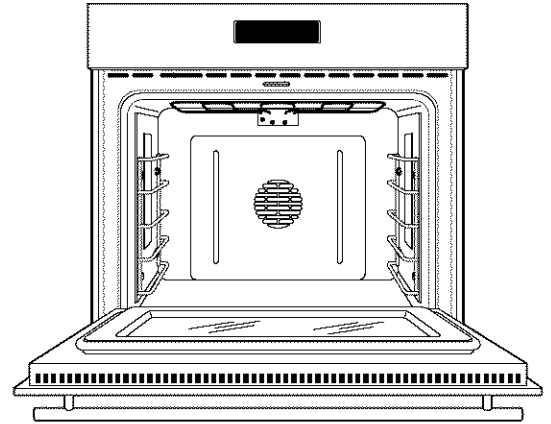


- 4 Vuelva a colocar las parrillas. Consulte la sección *Parrillas de horno de extensión completa*.
- 5 Vuelva a conectar la energía eléctrica al horno.

Para limpiar la puerta

Interior de la puerta:

- Debido a que el área dentro de la junta se limpia durante el ciclo de limpieza automática, no es necesario que la limpie de manera manual. Cualquier resto de jabón en el revestimiento causa manchas adicionales cuando el horno se calienta, por lo tanto, asegúrese de enjuagar bien.
- El área fuera de la junta pueden limpiarse con una esponja limpiadora llena de jabón.
- **No refriegue ni limpie la junta de la puerta,** el material de fibra de vidrio de la junta tiene una resistencia extremadamente baja a los abrasivos. Es esencial que la junta de la puerta del horno esté intacta y bien mantenida para un funcionamiento eficiente del horno y para obtener buenos resultados al hornear. Si observa que la junta se está desgastando o dañando de alguna manera o si se ha movido de lugar en el horno, hágala reparar.



Exterior de la puerta:

- Dependiendo de su modelo, consulte la sección *Superficies de acero inoxidable* o la sección *Superficies pintadas*.

Panel de control

Es buena idea limpiar el panel de control después de cada uso. Limpie con jabón suave y agua o con una solución de vinagre y agua, enjuague con agua limpia y lustre en seco con un paño suave. Cuando haga la limpieza, el panel de control debe estar a temperatura ambiente y no bajo la luz solar directa. No es recomendable el uso de otros líquidos limpiadores – el residuo que dejan puede afectar el control.

No utilice limpiadores abrasivos, limpiadores líquidos fuertes, almohadillas plásticas para restregar o limpiadores para hornos sobre el panel de control: estos productos dañarán el acabado.

Una solución 50/50 de vinagre y agua caliente funciona mejor.

Superficies de acero inoxidable (en algunos modelos)

No use una almohadilla de lana de acero; rayará la superficie.

Para limpiar la superficie de acero inoxidable, use agua jabonosa con poca espuma o bien un limpiador o abrillantador para acero inoxidable. Siempre limpie la superficie en la dirección de las vetas. Siga las instrucciones del limpiador para limpiar la superficie de acero inoxidable.

Para averiguar acerca de la compra de un limpiador o un lustrador de acero inoxidable, o para encontrar la ubicación de su distribuidor más cercano, por favor llame a nuestro número gratuito, 800.626.2002 o visite monogram.com.

Superficies pintadas (en algunos modelos)

Las superficies pintadas incluyen la puerta, la parte superior del panel de control y la gaveta frontal. Límpielas con jabón y agua o una solución de vinagre y agua.

No use limpiadores de horno comerciales, limpiadores en polvo, lana de acero ni abrasivos fuertes en ninguna superficie pintada.

Solución de problemas

Horno de pared

¡Ahorran tiempo y dinero!

Revise primero los consejos para resolución de problemas en las siguientes páginas y es posible que no tenga que llamar para solicitar servicio de mantenimiento.

PROBLEMA	CAUSA POSIBLE
EL HORNO NO FUNCIONA	<ul style="list-style-type: none"> • Un fusible en su casa puede estar fundido o el disyuntor activado. • Los controles del horno no están adecuadamente configurados. • Los controles del horno están configurados para limpiar. Si es necesario, deje que el horno se enfríe; luego abra la puerta.
LA LUZ DEL HORNO NO FUNCIONA	<ul style="list-style-type: none"> • La bombilla de la luz no funciona. Cambie la bombilla. • El horno se está auto limpiando o está configurada la función Sabbath. Las luces del horno no se encienden durante la autolimpieza o si está configurada la función Sabbath. • El botón de operación de la bombilla está roto. Llame para solicitar servicio de mantenimiento.
LOS ALIMENTOS NO SE HORNEAN O ASAN APROPIADAMENTE	<ul style="list-style-type: none"> • Controles del horno no configurados apropiadamente. Consulte la sección <i>Homear o Asar</i>. • El horno no ha sido precalentado por un período de tiempo suficiente (emplee aproximadamente de 10 a 15 minutos). • Se están utilizando utensilios de cocina inadecuados o de un tamaño incorrecto. Consulte la sección <i>Ubicación de la cacerola</i>. • Parrillas en posición incorrecta. Consulte la sección <i>Homear o Asar</i>. • Use una lámina de papel de aluminio para disminuir el dorado durante el asado. • El termostato del horno necesita un ajuste. Consulte el <i>Ajuste del termostato del horno</i>.
LOS ALIMENTOS NO SE ASAN A LA PARRILLA APROPIADAMENTE	<ul style="list-style-type: none"> • Este modelo está diseñado para un asado únicamente con la puerta cerrada. Cierre la puerta. Siempre ase a la parrilla con la puerta cerrada. • Los controles del horno no están configurados apropiadamente. Consulte la sección <i>Asar a la parrilla</i>. • La sonda está conectada a la salida en el horno. Desconecte y retire la sonda del horno. • Se está utilizando una posición inadecuada de la parrilla. • Los alimentos se están cocinando en una fuente caliente. Use la asadera y la rejilla que vinieron con su horno. • Los utensilios de cocina no son adecuados para asar a la parrilla. Use la asadera y la rejilla que vinieron con su horno. • El papel de aluminio usado sobre la asadera y la rejilla no se ha colocado correctamente ni se ha cortado según lo recomendado. • En algunas áreas el voltaje puede ser bajo. Precaliente el elemento de asado a la parrilla durante 10–15 minutos.
EL HORNO NO SE AUTO LIMPIARÁ	<ul style="list-style-type: none"> • La temperatura del horno es demasiado alta para establecer una operación de autolimpieza. Deje que el horno se enfríe por debajo de la temperatura de bloqueo y reinicie los controles. • Los controles del horno no están adecuadamente configurados. Consulte la sección <i>Autolimpieza del horno</i>. • La sonda está enchufada en la toma dentro del horno. Retire la sonda del horno.
SONIDO “CRUJIENTE” O DE “ESTALLIDO” DURANTE LA LIMPIEZA	<ul style="list-style-type: none"> • Esto es normal. Este es el sonido del metal calentándose y enfriándose durante las funciones de cocción y limpieza.
HUMO EXCESIVO DURANTE LA LIMPIEZA	<ul style="list-style-type: none"> • Exceso de mugre. Presione el botón CLEAR/OFF (BORRAR/APAGAR). Abra las ventanas para dejar salir el humo de la habitación. Espere hasta que la luz HORNO BLOQUEADO se apague. Limpie el exceso de mugre y reinicie el ciclo de limpieza.
EL HORNO NO ESTÁ LIMPIO DESPUES DE UN CICLO DE LIMPIEZA	<ul style="list-style-type: none"> • El horno tiene mugre difícil de eliminar. Limpie las sobras pesadas antes de comenzar el ciclo de limpieza. Es posible que los hornos que tienen una mugre muy pesada necesiten de autolimpieza nuevamente. • El horno está conectado a un suministro eléctrico de 208V. Configure su tiempo de limpieza en 5 horas. • Los controles del horno no están adecuadamente configurados. Consulte la sección <i>Autolimpieza del horno</i>.
ES DIFÍCIL DESLIZAR LAS PARRILLAS DEL HORNO	<ul style="list-style-type: none"> • Las parrillas se limpiaron en el ciclo de autolimpieza y ahora necesitan una lubricación periódica. No rocíe con Pam® ni otros sprays lubricantes. Consulte acerca de las <i>Parrillas para horno de extensión completa</i> en la sección <i>Cuidado y limpieza</i>.

¡Ahorran
tiempo y
dinero!

PROBLEMA	CAUSA POSIBLE
LA PANTALLA “SE ACTIVA” SIN TOCARLA	<ul style="list-style-type: none"> La Pantalla está equipada con una tecnología de detección que “se activa” cuando el usuario acerca la mano a la Pantalla Táctil. La pantalla es sensible y puede “activarse” cuando se encienden las luces o debido al movimiento de personas u objetos cercanos. Si no ocurre otra interacción, la Pantalla debe volver a su modo de espera después de 10 minutos.
EL RELOJ Y EL TEMPORIZADOR NO FUNCIONAN	<ul style="list-style-type: none"> Un fusible en su casa puede estar fundido o el disyuntor activado. Reemplace el fusible o reinicie el disyuntor. Controles del horno no configurados apropiadamente. Consulte las secciones <i>Para ajustar el reloj</i> y <i>Para programar el contador de tiempo y Bloqueo de controles</i>.
LA TEMPERATURA DEL HORNO ES DEMASIADO ALTA O DEMASIADO BAJA	<ul style="list-style-type: none"> El termostato del horno necesita un ajuste. Consulte la sección <i>Ajuste del termostato</i>.
LA PUERTA DEL HORNO NO SE ABRIRÁ DESPUÉS DE UN CICLO DE LIMPIEZA	<ul style="list-style-type: none"> El horno está demasiado caliente. Permita que el horno se enfríe por debajo de la temperatura de bloqueo.
BLOQUEE LA PUERTA PARPADEA EN LA PANTALLA	<ul style="list-style-type: none"> Se ha seleccionado el ciclo autolimpieza pero la puerta no está cerrada. Cierre la puerta del horno.
LA LUZ HORNO BLOQUEADO ESTÁ ENCENDIDA CUANDO DESEA COCINAR	<ul style="list-style-type: none"> La puerta del horno está bloqueada porque la temperatura dentro del horno no ha caído por debajo de la temperatura de bloqueo. Presione el botón CLEAR/OFF (BORRAR/APAGAR). Deje que el horno se enfríe.
LA PANTALLA SE PONE EN BLANCO	<ul style="list-style-type: none"> Un fusible en su casa puede estar fundido o el disyuntor activado. Reemplace el fusible o reinicie el disyuntor. El reloj está en el modo de apagado. Consulte la sección <i>Opciones – Configuraciones</i>.
LA PANTALLA PARPADEA	<ul style="list-style-type: none"> Falla en el suministro de electricidad. Reinicie el reloj.
APARECE SONDA EN LA PANTALLA	<ul style="list-style-type: none"> Esto le recuerda ingresar una temperatura de sonda después de enchufar la sonda. Ingrese una temperatura de sonda.
CORTE EN EL SUMINISTRO ELÉCTRICO, EL RELOJ PARPADEA	<ul style="list-style-type: none"> Pico o corte del suministro eléctrico. Reinicie el reloj. Si el horno estaba funcionando, debe reiniciarlo presionando el botón CLEAR/OFF (BORRAR/APAGAR), configurando el reloj y reestableciendo cualquier función de cocción.
SALE VAPOR DEL RESPIRADERO CUANDO SE UTILIZA	<ul style="list-style-type: none"> Cuando se utiliza la característica por convección, es normal ver vapor saliendo del respiradero del horno. Conforme aumenta el número de parrillas o a cantidad de alimentos que están siendo cocinados, así mismo aumentará la cantidad de vapor visible.
OLOR A “QUEMADO” O “ACEITOSO” SALIENDO DEL RESPIRADERO	<ul style="list-style-type: none"> Esto es normal en un horno nuevo y desaparecerá con el tiempo.
OLOR FUERTE	<ul style="list-style-type: none"> Esto es temporal. Un olor del aislamiento al rededor del interior del horno es normal las primeras veces que se utiliza el horno.
SUENA UN VENTILADOR	<ul style="list-style-type: none"> Un ventilador de enfriamiento o un ventilador de convección (dependiendo de la función que esté utilizando) puede encenderse. Esto es normal. El ventilador de enfriamiento se encenderá para refrigerar las partes internas. Puede funcionar después que el horno esté apagado. El ventilador de convección funcionará y se apagará hasta que la función termine o la puerta sea abierta.
SEÑALES DE CONTROL DEL HORNO INFERIOR DESPUÉS DE INGRESAR EL TIEMPO DE COCCIÓN O DELAY START (INICIO POSTERGADO)	<ul style="list-style-type: none"> Olvidó ingresar una temperatura de horneado o el tiempo de limpieza. Presione el botón HORNEAR y la temperatura deseada o el botón AUTOLIMPIEZA y el tiempo de limpieza deseado.
F- Y UN NÚMERO O LETRA PARPADEAN EN LA PANTALLA	<ul style="list-style-type: none"> Tiene un código de error de la función. Presione el botón CLEAR/OFF (BORRAR/APAGAR). Permita que el horno se enfríe durante una hora. Ponga el horno nuevamente en operación. Si el código de la función se repite. Desconecte la corriente del horno durante 30 segundos y conecte nuevamente la corriente. Si el función se repite, llame para solicitar servicio de mantenimiento.
LAS TECLAS DE CONTROL SE ACTIVAN O LAS PANTALLAS DE LCD CAMBIAN CUANDO ABRO LA PUERTA DEL HORNO	<ul style="list-style-type: none"> El panel de control está sucio o hay residuos de limpiadores líquidos. Limpie el panel de control con una solución de vinagre y agua y pule en seco con una tela suave. (Lea la sección de <i>Cuidado y Limpieza</i>.)

**Inscripción del
consumidor de
propiedad de producto
Importante Envíe hoy**

GE Appliances



Coloque
Aquí
Estampilla
de Primera
Clase

General Electric Company
Warranty Registration Department
P.O. Box 32150
Louisville, KY 40232-2150

Inscripción del consumidor de propiedad de producto

Estimado cliente:

Gracias por comprar nuestro producto y por depositar su confianza en nosotros. ¡Estamos orgullosos de tenerlo como cliente!

Siga estos tres pasos para proteger la inversión de su nuevo artefacto:



1

Complete y envíe su Inscripción del consumidor de propiedad de producto hoy mismo.

Tenga la tranquilidad de saber que lo podemos contactar en caso de que haya una modificación de seguridad.

2

Después de completar esta inscripción, escriba los números de modelo y de serie en este manual.

Necesitará esta información en caso de requerir servicio técnico. El número de servicio técnico en los EE.UU.:

800.444.1845. En Canadá: 1.888.880.3030.

3

Lea su Manual del Usuario cuidadosamente. Le ayudará a operar su nuevo artefacto de manera correcta.

Importante: Para garantizar que su producto se encuentre registrado, envíe por correo la tarjeta individual de inscripción de producto. Si la tarjeta individual de inscripción de producto se hubiera extraviado, doble y envíe el formulario incluido a continuación. No se necesita un sobre.

DOBLE AQUÍ

Inscripción del consumidor de propiedad de producto

¡Importante!
Envíe hoy!

Producto

Número de modelo

Número de serie

Horno de pared

Sr. Sra. Srta.

Nombre

Apellido

Dirección

N°

Departamento #

Ciudad

Estado

Código postal

Fecha de inicio de uso
Mes

Día

Año

Número de teléfono



monogram.com



CIERRE CON CINTA ADHESIVA

Con la compra de su nuevo aparato Monogram, tiene la seguridad de que si alguna vez necesita información o ayuda de GE, allí estaremos. ¡Todo lo que tiene que hacer es llamar gratis!

Centro de atención GE®

800.626.2000

Cualquiera sea su pregunta acerca de cualquier aparato Monogram, el servicio de información del Centro de atención de GE® está disponible para ayudarlo. Su llamada, y su consulta, serán atendidas a la brevedad y con cortesía. Y puede llamar en cualquier momento. El servicio del Centro de atención GE® está abierto las 24 horas del día, de lunes a sábado.

O

Visite nuestro sitio web en: monogram.com

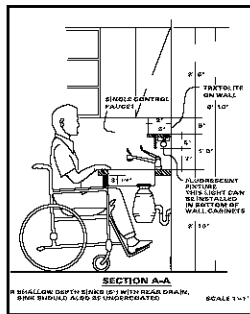
Servicio de reparación a domicilio

800.444.1845

Si su artefacto Monogram requiriera servicio técnico, usted puede confiar en Monogram Preferred Service. Sólo llame al 800.444.1845, donde nuestros especialistas de Monogram Preferred Service se encuentran disponibles de 7 a.m. – 10 p.m. ET de lunes a viernes y 8 a.m.–6 p.m. ET sábados y domingos para coordinar su horario de servicio técnico.

Para clientes con necesidades especiales...

800.626.2000



GE le ofrece un folleto de ayuda para diseñar cocinas sin impedimentos para personas con movilidad limitada.

Los clientes con dificultades en el habla o la audición que tienen acceso a un TDD o a un teleimpresor convencional pueden llamar al 800.TDD.GEAC (800.833.4322) para solicitar información o servicio.

Contratos de servicio

800.626.2224

Puede tener la certeza de que el Servicio al cliente de GE aún estará disponible luego de que su garantía caduque. Compre un contrato con GE mientras su garantía está vigente y recibirá un gran descuento. Con un contrato de varios años, se asegura los servicios futuros a los precios actuales.

Refacciones y accesorios

800.626.2002

Las personas calificadas para reparar sus propios aparatos pueden recibir piezas o accesorios directamente en sus hogares. El sistema de piezas de GE le brinda acceso a 47.000 piezas... y todas las Piezas de renovación genuinas de GE están completamente garantizadas. Se aceptan tarjetas VISA, MasterCard y Discover.

Las instrucciones de mantenimiento que contiene este manual abarcan procedimientos que pueden ser realizados por cualquier usuario. Otro tipo de servicio puede ser derivado a personal de servicio calificado. Debe tomar sus precauciones, ya que una reparación inadecuada puede provocar un funcionamiento inseguro.

GARANTÍA DE SU HORNO DE PARED MONOGRAM

Adjunte la factura de compra o el cheque cancelado aquí. Se requiere un comprobante de la fecha de compra original para obtener servicio bajo la garantía. Cuando llame, tenga a la mano el número de serie y el número de modelo.

COBERTURA

A partir de la fecha de la compra original

GARANTÍA POR UN AÑO

Durante un año a partir de la fecha de compra original le brindaremos, sin cargo, piezas de repuesto y servicio de reparación en su hogar para reparar o cambiar **cualquier pieza del horno** que no funcione debido a un defecto de fabricación.

Esta garantía se extiende al comprador original y a cualquier propietario que lo suceda para el caso de productos comprados para uso doméstico en los Estados Unidos, Hawai, Washington, D.C. o Canadá. Si el producto está ubicado en una zona donde nuestro Proveedor de servicios autorizado no está disponible, usted será responsable de los gastos del flete o se le solicitará que lleve el producto

a una localidad con Servicio autorizado. En Alaska la garantía es la misma, excepto que usted debe pagar el flete del producto al centro de servicio o el costo del viaje del técnico hasta su hogar.

Todos los servicios de la garantía serán provistos por nuestros Centros de servicios de fábrica o por nuestros proveedores de servicios Care® durante el horario normal de trabajo.

Si su aparato necesitara servicio durante el período de garantía o más adelante, llame al 800.444.1845. En Canadá, 800.561.3344.

QUÉ NO ESTÁ CUBIERTO

- Visitas de servicio técnico a su hogar para enseñarle a usar el producto.
- Reemplazo de fusibles de su hogar o reajuste de cortocircuitos.
- Daños al producto causados por accidente, incendio, inundación o causas de fuerza mayor.
- Daños luego de la entrega.
- Falla del producto si se lo utiliza con fines distintos a los propuestos o con fines comerciales.
- Instalación, entrega o mantenimiento inadecuados.
- Si tiene un problema de instalación, comuníquese con su distribuidor o instalador. Usted es responsable de proporcionar las instalaciones eléctricas, de gas, de desagote y otras instalaciones de conexión según se describe en las Instrucciones de instalación provistas con el producto.
- Daños incidentales o consiguientes provocados por posibles defectos en este aparato.
- Producto no accesible para brindar el servicio requerido.

EXCLUSIÓN DE GARANTÍAS IMPLÍCITAS: su recurso único y exclusivo es la reparación del producto según se estipula en esta Garantía limitada. Cualquier garantía implícita, incluyendo las garantías implícitas de comerciabilidad o capacidad para un propósito particular, están limitadas a un año o al período más corto permitido por la ley.

Algunos estados/provincias no permiten la exclusión o limitación de daños incidentales o consiguientes, de modo que esta limitación o exclusión quizás no le corresponda. Esta garantía le otorga derechos jurídicos específicos y es posible que usted tenga también otros derechos que puedan variar de un estado a estado/provincia a provincia. Para conocer los derechos jurídicos de su estado/provincia, consulte con su oficina local o estatal/provincial de asuntos del consumidor o al procurador general de su estado/provincia.

Garante en los Estados Unidos: General Electric Company, Louisville, KY 40225

Garante en Canadá: Mabe Canada Inc.



GE Consumer & Industrial Appliances
General Electric Company
Louisville, KY 40225
ge.com