

Safety Instructions & Operator's Manual for **SNAPPER**[®]

21" STEEL DECK WALK MOWERS SERIES 12



| |
|------------------|
| MODELS |
| P216012 |
| P216512BV |

MODEL NUMBER EXPLANATION

| | | | | |
|---|----|----|----|----|
| P | 21 | 65 | 12 | BV |
|---|----|----|----|----|

SELF-PROPELLED _____

CUTTING WIDTH _____

ENGINE HORSE POWER _____

ENGINE TYPE _____

SERIES DESIGNATION _____

| | | | |
|--------------------------|----------------------------------|--|-------------------------|
| P - Self Propelled Model | 21 - 21" Cutting Width | | 12 - Series Designation |
| | | | B - Briggs & Stratton |
| | | | V - Overhead Valve |
| | 60 - 6.0 HP (Engine Horse Power) | | |
| | 65 - 6.5 HP (Engine Horse Power) | | |

Thank you for buying a SNAPPER Product! Before operating your Walk Behind, read this manual carefully and pay particular attention to the "IMPORTANT SAFETY INSTRUCTIONS" on Pages 2 & 3. Remember that all power equipment can be dangerous if used improperly. Also keep in mind that SAFETY requires careful use in accordance with the operating instructions and common sense.

SNAPPER® McDonough, GA., 30253 U.S.A.



IMPORTANT SAFETY INSTRUCTIONS



WARNING: This powerful cutting machine is capable of amputating hands and feet and can throw objects that can cause injury and damage! Failure to comply with the following **SAFETY** instructions could result in serious injury or death to the operator or other persons. The owner of the machine must understand these instructions and must allow only persons who understand these instructions to operate machine. Each person operating the machine must be of sound mind and body and must not be under the influence of any substance, which might impair vision, dexterity or judgment. If you have any questions pertaining to your machine which your dealer cannot answer to your satisfaction, call or write the Customer Service Department at SNAPPER, McDonough, Georgia 30253. Phone: (1-800-935-2967).

PROTECTION FOR CHILDREN

Tragic accidents can occur if the operator is not alert to the presence of children. Children are often attracted to the machine and the mowing activity. Never assume that children will remain where you last saw them.

1. **KEEP** children out of the mowing area and under the watchful care of a responsible adult.
2. **DO NOT** allow children in yard when machine is operated and turn machine **OFF** if anyone enters the area.
3. **DO NOT** allow pre-teenage children to operate machine.
4. **ALLOW** only responsible adults & teenagers with mature judgment under close adult supervision to operate machine.
5. **DO NOT** pull mower backwards unless absolutely necessary. **LOOK** and **SEE** behind and down for children, pets and hazards before and while backing.
6. **USE EXTRA CARE** when approaching blind corners, shrubs, trees, or other objects that may obscure vision.

SLOPE OPERATION

1. Slopes are a major factor related to slip and fall accidents, which can result in severe injury. All slopes require extra caution. If you feel uneasy on a slope, **DO NOT** mow it.
2. Mow across slopes, never up-and-down. Exercise extreme **CAUTION** when changing directions on slopes. **DO NOT** mow steep slopes or other areas where stability or traction is in doubt.
3. Use extra care with grass catchers or other attachments; these affect the handling and the stability of the machine.

PREPARATION

1. Read, understand, and follow instructions and warnings in this manual and on the mower, engine and attachments. Know the controls and the proper use of the mower before starting.
2. Only mature, responsible persons shall operate the machine and only after proper instruction.

PREPARATION

(Continued From Previous Column)

3. Data indicates that operators age 60 and above, are involved in a large percentage of mower-related injuries. These operators should evaluate their ability to operate the mower safely enough to protect themselves and others from serious injury.
4. Handle fuel with extra care. Fuels are flammable and vapors are explosive. Use only an approved fuel container. **DO NOT** remove fuel cap or add fuel with engine running. Add fuel outdoors only with engine stopped and cool. Clean spilled fuel and oil from machine. **DO NOT** smoke.
5. Check the area to be mowed and remove all objects such as toys, wire, rocks, limbs and other objects that could cause injury if thrown by blade or interfere with mowing. Also note the location of holes, stumps, and other possible hazards.
6. Keep people and pets out of the mowing area. Immediately, **STOP** Blade, Stop engine and Stop mower if anyone enters the area.
7. Check shields, deflectors, switches, blade controls and other safety devices frequently for proper operation and location.
8. Make sure all safety decals are clearly legible. Replace if damaged.
9. Protect yourself when mowing and wear safety glasses, long pants and substantial footwear. **DO NOT** mow barefooted or with sandals.
10. Know how to **STOP** blade and engine quickly in preparation for emergencies.
11. Use extra care when loading or unloading the machine into a trailer or truck.
12. Check grass catcher components frequently for signs of wear or deterioration and replace as needed to prevent injury from thrown objects going through weak or torn spots.

Section 4 - REPAIR & ADJUSTMENTS

WARNING

DO NOT attempt any maintenance, adjustments or service with engine and blade running. STOP engine and blade. Disconnect spark plug wire and secure away from spark plug. Engine and components are HOT. Avoid serious burns, allow sufficient time for all components to cool.

4.4.1. Engine Drive Belt Replacement (Continued from Previous Page)

5. Hold the slotted end of the drive disc bolt with a screwdriver and remove the nut and internal tooth lock washer. See Figure 4.17.

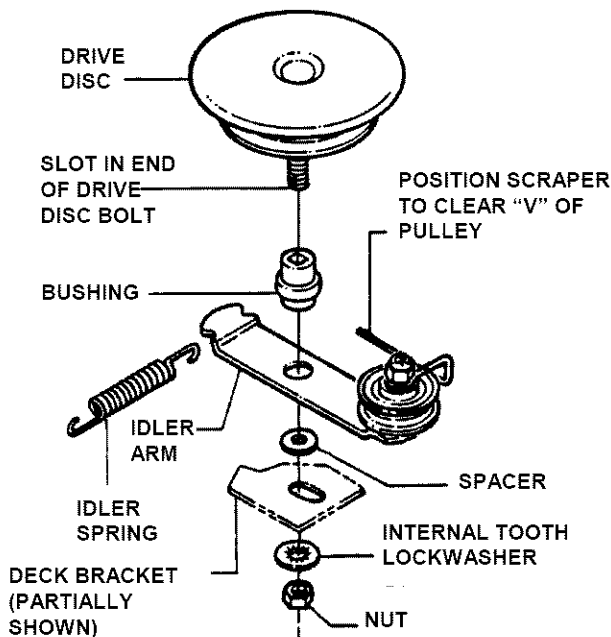


FIGURE 4.17

6. Lift the drive disc off the idler arm and remove worn belt.
7. Loop one end of new belt over engine pulley and insert the other end through slot in deck. See Figure 4.17.
8. Loop the belt around the pulley on the bottom of the drive disc.
9. Reinstall drive disc and retaining hardware.
10. Reinstall blade hub and cutter blade. Recommended torque for blade cap screw is 30 to 40 ft. lbs.
11. Use a stiff wire, such as a coat hanger, with a hook fashioned on one end to pull the hooked end of the idler spring through the large hole in the right wheel bracket. See Figure 4.18.
12. Reinstall the driven disc assembly.

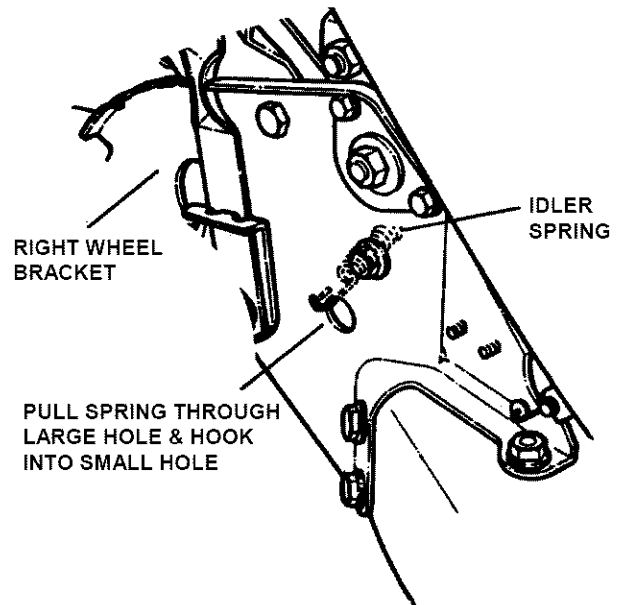
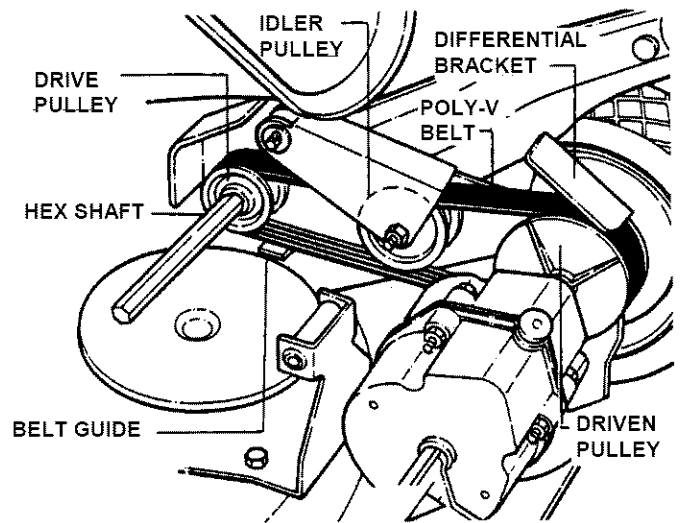


FIGURE 4.18

4.4.2. Transmission Poly-V Belt Replacement

1. Remove the driven disc. Refer to Section on "Replacing Driven Disc Rubber Ring" for procedure.
2. Note the routing of the old belt around the three pulleys before removing it. See Figure 4.19.
3. Place new Poly-V Belt over end of hex shaft and onto drive pulley.
4. Work belt onto top of idler pulley.
5. Twist belt sideways and pull it upward between the differential bracket and driven pulley and then down into the pulley groove. Make sure the Poly-V Belt is above belt guide. See Figure 4.19.



ROUTING OF POLY-V BELT

FIGURE 4.19

SERVICE SCHEDULE

| ITEM | SERVICE PERFORMED | REF. | EACH USE | 5 HRS | 25 HRS | 50 HRS | 100 HRS | EACH SEASON |
|------------------------------|--------------------------------------|--------------------------|----------|-------|--------|--------|---------|-------------|
| Engine Oil | Check Oil Level | Page 6 | X | | | | | |
| | Initial Oil Change | Page 9 | | X | | | | |
| | Periodic Oil Change | Page 10 | | | X* | | | |
| Air Pre-Cleaner | Clean Sponge Element | Engine Manual & Page 10. | | | X** | | | |
| Air Cleaner | Clean or Replace | Engine Manual. | | | X** | | | |
| Spark Plug | Replace | Engine Manual. | | | | | X | |
| Engine Cooling System | Clean Shroud & Fins | Engine Manual | | | | | X** | |
| Drive Belts | Check For Wear And Tension | Page 16-17 | | | X | X | | X |
| Mower Blade | Check For Wear, Damage & Replacement | Page 11-12 | X | | | | | |
| Mower Deck | Clean Debris Accumulation | Page 10 | X | | | | | |
| Transmission Grease | Check Grease Level | Pages 9 | | | X | | | X |
| | Periodic Grease Check | Pages 10 | | | | | | X |
| Drive Disc | Check for Wear Damage & Replacement | Page 12-15 | | | | X | | |

*Change oil every 25 hours when operating under heavy load or high temperatures.

**Clean more often under dusty conditions or when air debris is present

4.5 MAINTENANCE/REPLACEMENT PARTS

| MAINTENANCE PARTS | |
|---|---------------|
| Engine Speed Control (Briggs Engines) | 2-9036 |
| Blade Control Cable | 2-5036 |
| Clutch Pull Cable | 2-5013 |
| Cutter Blade (Air Lift Compatible) | 1-9795 |
| Cutter Blade (Mulching) | 1-7168 |
| Cutter Blade (Not Air Lift Compatible) | 2-6691 |
| Cutter Blade (Ninja - Quad Edge) | 2-6407 |
| Wheel Drive Pulley to Transmission Pulley Belt | 1-2354 |
| Engine to Drive Disc Belt | 1-2353 |
| Rubber Drive Tire | 2-3364 |
| Parts Manual for 21" Steel Deck Walk Behind Mower Series 12, 14, 15 & 16 | 06059 |

Safety Instructions & Operator's Manual for

SNAPPER[®]

21" STEEL DECK

WALK BEHIND MOWERS

SERIES 12

IMPORTANT

Snapper products are built using engines that meet or exceed all applicable emissions requirements on the date manufactured. The labels on those engines contain very important emissions information and critical safety warnings. Read, Understand, and Follow all warnings and instructions in this manual, the engine manual, and on the machine, engine and attachments. If you have any questions about your Snapper product, contact your local authorized Snapper dealer or contact Snapper Customer Service at Snapper, McDonough, GA. 30253. Phone: (1-800-935-2967).



WARNING

BATTERY POSTS, TERMINALS AND RELATED ACCESSORIES CONTAIN LEAD AND LEAD COMPOUNDS, CHEMICALS KNOWN TO THE STATE OF CALIFORNIA TO CAUSE CANCER AND BIRTH DEFECTS OR OTHER REPRODUCTIVE HARM. WASH HANDS AFTER HANDLING.



WARNING

ENGINE EXHAUST, SOME OF ITS CONSTITUENTS, AND CERTAIN VEHICLE COMPONENTS CONTAIN OR EMIT CHEMICALS KNOWN TO THE STATE OF CALIFORNIA TO CAUSE CANCER OR OTHER REPRODUCTIVE HARM.

SNAPPER[®] McDonough, GA., 30253 U.S.A.