

# Installation And Safety Instructions

Full Size Tumble Action Washer

## Notice d'installation

Laveuse grandeur standard à culbutage

Before beginning installation, carefully read these instructions. This will simplify the installation and ensure the washer is installed correctly and safely. Leave these instructions near the washer after installation for future reference.

**NOTE:** The electrical service to the washer must conform with local codes and ordinances and the latest edition of the National Electrical Code, ANSI/NFPA 70.

Avant de commencer, lire attentivement le présent document. Cela simplifiera l'installation et assurera la pose correcte et sécuritaire de la laveuse. Après l'installation, laisser ce document à proximité de la laveuse pour référence future.

**REMARQUE :** L'alimentation électrique de la laveuse doit respecter les codes et ordonnances locaux ainsi que l'édition la plus récente du Code ANSI/NFPA 70, ou au Canada, le Code canadien d'électricité, ACNOR C22.1, partie 1.

**⚠ WARNING** For your safety the information in this manual must be followed to minimize the risk of fire or explosion or to prevent property damage, personal injury or loss of life.

- Do not store or use gasoline or other flammable vapors and liquid in the vicinity of this or any other appliance.

### - WHAT TO DO IF YOU SMELL GAS

- Do not try to light any appliance.
- Do not touch any electrical switch; do not use any phone in your building.
- Clear the room, building or area of all occupants.
- Immediately call your gas supplier from a neighbor's phone. Follow the gas suppliers instructions.
- If you cannot reach your gas supplier, call the fire department.

Installation and service must be performed by a qualified installer, service agency or the gas supplier.

**⚠ AVERTISSEMENT** Pour votre sécurité, suivre les directives données dans le présent guide afin de minimiser les risques d'incendie, d'explosion, de dommages matériels, de blessures et de mort.

- Ne pas entreposer ni utiliser d'essence ou d'autres vapeurs ou liquides inflammables à proximité de cette sècheuse ou de tout autre appareil électroménager.

### - QUE FAIRE S'IL Y A UNE ODEUR DE GAZ

- N'allumer aucun appareil électrique.
- Ne toucher aucun commutateur électrique; ne pas utiliser le téléphone dans l'immeuble.
- Faire sortir tous les occupants de la pièce, de l'immeuble ou de la zone avoisinante.
- Appeler la compagnie de gaz immédiatement en utilisant le téléphone d'un voisin. Suivre les instructions de la compagnie de gaz.
- S'il est impossible de joindre la compagnie de gaz, appeler les pompiers.

L'installation et les réparations doivent être effectuées par un technicien qualifié, un agent de service ou la compagnie de gaz.

## Contents

<u>SUBJECT</u>	<u>PAGE</u>
Important Safety Instructions.....	2
Pre-Installation Requirements.....	3
Electrical Requirements.....	3
Grounding Requirements.....	3
Water Supply Requirements.....	3
Drain Requirements.....	3
Rough-In Dimensions.....	3
Location Of Your Washer.....	4
Unpacking.....	4
Installation.....	5
Replacement Parts.....	5
Warranty.....	6
Français.....	7-12
Consignes de sécurité importantes.....	7
Avant l'installation.....	8
Installation électrique.....	8
Mise à la terre.....	8
Alimentation en eau.....	8
Évacuation d'eau.....	8
Dimensions de l'emplacement.....	9
Emplacement de la laveuse.....	10
Déballage.....	10
Installation.....	11
Pièces de rechange.....	11
Garantie.....	12

Your washer is equipped with a door safety interlock. Verify proper operation of interlock system daily, using the following procedure:

1. With the washer door open, insert the required number of coins (or the appropriate card, on machines equipped with a card-start system) and press the START button. THE WASHER MUST NOT START!
2. Close the washer door. Press the START button again to start the machine. Attempt to open the door, without exerting excessive force. THE DOOR MUST NOT OPEN!

IF THE WASHER STARTS WITH THE DOOR OPEN, OR THE DOOR CAN BE OPENED WHILE THE WASHER IS OPERATING, THE MACHINE MUST IMMEDIATELY BE TAKEN OUT OF SERVICE. DISCONNECT THE POWER CORD, AND MARK THE MACHINE "OUT OF ORDER", UNTIL THE INTERLOCK SYSTEM IS REPAIRED, AND OPERATES AS DESCRIBED ABOVE.

If you have questions regarding operation of this machine, or proper testing of the door interlock system, call 1-800-944-9044 for the Frigidaire Company Authorized Service.

**Note:** The instructions appearing in this INSTALLATION AND SAFETY INSTRUCTIONS manual are not meant to cover every possible condition and situation that may occur. Common sense and caution must be practiced when installing, operating and maintaining any appliance.

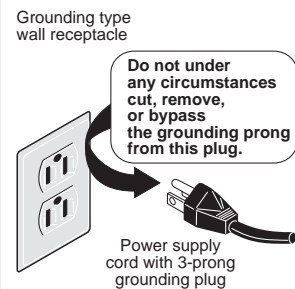
## Important Safety Instructions

Read all instructions before using this washer.

### FOR YOUR SAFETY

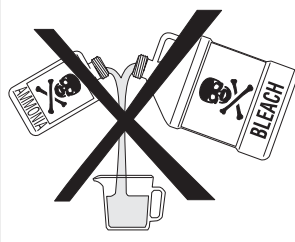
Do not store or use gasoline or other flammable vapors or liquids in the vicinity of this or any other appliance.

**⚠ WARNING** Avoid fire hazard or electrical shock. Do not use an adaptor plug or extension cord or remove grounding prong from electrical power cord. Failure to follow this warning can cause serious injury, fire or death.



**CORRECT**  
Use this way ONLY

**⚠ WARNING** Do not use or mix liquid chlorine bleach with other household chemicals such as toilet cleaners, rust removers, acid or products containing ammonia. These mixtures can produce dangerous fumes which can cause serious injury or death.



**⚠ WARNING** To reduce the risk of fire, electrical shock, or injury to persons when using this washer, comply with the basic warnings listed below.

**⚠ WARNING** Failure to comply with these warnings could result in serious personal injuries.

### Prevent Fire

**⚠ WARNING** Do not wash items that have been previously cleaned in, soaked in, or spotted with gasoline, cleaning solvents, kerosene, cooking oils, waxes, etc. Do not store these items on or near the washer. These substances give off vapors or chemical reactions that could ignite or explode.

**⚠ WARNING** Do not put oily or greasy rags or clothing on top of the washer. These substances give off vapors that could ignite the materials.

**⚠ WARNING** Do not add gasoline, cleaning solvents, or other flammable or explosive substances to the wash water. These substances give off vapors that could ignite or explode.

**⚠ WARNING** Under certain conditions, hydrogen gas may be produced in a hot water system that has not been used for 2 weeks or more. **HYDROGEN GAS IS EXPLOSIVE.** If the hot water system has not been used for such a period, before using the washer, turn on all hot water faucets and let the water flow from each for several minutes. This will release any accumulated hydrogen gas. Hydrogen gas is flammable; do not smoke or use an open flame during this time.

**⚠ WARNING** Failure to comply with these warnings could result in fire, explosion, serious bodily injury and/or damage to the rubber or plastic parts of the washer.

### Protect Children

**⚠ WARNING** Do not allow children to play on or in the washer. Close supervision of children is necessary when the washer is used near children. As children grow, teach them the proper, safe use of all appliances.

**⚠ WARNING** Destroy the carton, plastic bag and other packing materials after the washer is unpacked. Children might use them for play. Cartons covered with rugs, bedspreads or plastic sheets can become airtight chambers.

**⚠ WARNING** Keep laundry products out of children's reach. To prevent personal injury, observe all warnings on product labels.

**⚠ WARNING** Before the washer is removed from service or discarded, remove the washer lid to prevent accidental entrapment.

**⚠ WARNING** Failure to comply with these warnings could result in serious personal injuries.

### Prevent Injury

**⚠ WARNING** Test door interlock system daily. Follow instructions on previous page.

**⚠ WARNING** To prevent shock hazard and assure stability during operation, the washer must be installed and electrically grounded by a qualified service person in accordance with local codes. Refer to INSTALLATION AND SAFETY INSTRUCTIONS for detailed grounding procedures. If the washer is moved to a new location, have it checked and reinstalled by a qualified service person.

**⚠ WARNING** To prevent personal injury or damage to the washer, the electrical power cord of the washer must be plugged into a properly grounded and polarized 3-prong outlet. **The third grounding prong must never be removed. Never ground the washer to a gas pipe. Do not use an extension cord or an adaptor plug.**

**⚠ WARNING** Follow package directions when using laundry products. Incorrect usage can produce poisonous gas--resulting in serious injury or death.

- Do not combine laundry products for use in 1 load unless specified on the label.
- Do not mix chlorine bleach with ammonia or acids such as vinegar.

**⚠ WARNING** To prevent serious personal injury and damage to the washer:

- All repairs and servicing must be performed by an authorized servicer unless specifically recommended in this INSTALLATION AND SAFETY INSTRUCTIONS manual. Use only authorized factory parts.

- Do not tamper with controls.
- Do not install or store the washer where it will be exposed to the weather.

**⚠ WARNING** To reduce the risk of electric shock, disconnect this appliance from the power supply before attempting any user maintenance. Turning the controls to the OFF position does not disconnect this appliance from the power supply.

**⚠ WARNING** To prevent injury, do not reach into the washer while parts are moving. Before loading, unloading or adding items, push in the cycle selector knob and allow the tub to coast to a complete stop before reaching inside.

**⚠ WARNING** Failure to comply with these warnings could result in serious personal injuries.

**⚠ WARNING** This washer is equipped with an electrical overload protector. The motor will stop if it becomes overheated. The washer will automatically restart after a cool down period of up to 30 minutes, if the washer has not been manually turned off during this time.

**SAVE THESE INSTRUCTIONS**

## PRE-INSTALLATION REQUIREMENTS

### Tools Required for Installation:

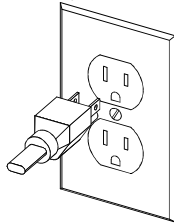
1. 1/4 in. nut driver
2. 3/8 in. socket with ratchet.
3. 3/8 in. open end wrench.
4. 7/16 in. socket with ratchet.
5. 9/16 in. open end wrench.
6. Channel-lock adjustable pliers.
7. Carpenter's level.

### ELECTRICAL REQUIREMENTS

**CIRCUIT** - Individual, properly polarized and grounded 15 amp. branch circuit fused with 15 amp. time delay fuse or circuit breaker.

**POWER SUPPLY** - 2 wire, with ground, 120 volt, single phase, 60 Hz, Alternating Current. NOTE: The use of this washer with power created by gas powered generators, solar powered generators, wind powered generators or and other generator other than the local utility company is not recommended.

**OUTLET RECEPTACLE** - Properly grounded 3-prong receptacle to be located so the power supply cord is accessible when the washer is in an installed position. NOTE: GFI (Ground Fault Interrupter) receptacle is not required.



### GROUNDING REQUIREMENTS

**⚠ WARNING** Improper connection of the equipment grounding conductor can result in a risk of electrical shock. Check with a licensed electrician if you are in doubt as to whether the appliance is properly grounded.

1. The washer **MUST** be grounded. In the event of malfunction or breakdown, grounding will reduce the risk of electrical shock by a path of least resistance for electrical current.
2. Since your washer is equipped with a power supply cord having an equipment-grounding conductor and a grounding plug, the plug **MUST** be plugged into an appropriate, copper wired receptacle that is properly installed and grounded in accordance with all local codes and ordinances or in the absence of local codes, with the National Electrical Codes, ANSI/NFPA 70 (latest edition). If in doubt, call a licensed electrician. **DO NOT** cut off or alter the grounding prong on the power supply cord. In situations where a two-slot receptacle is present, it is the owner's responsibility to have a licensed electrician replace it with a **properly grounded** three prong grounding type receptacle.

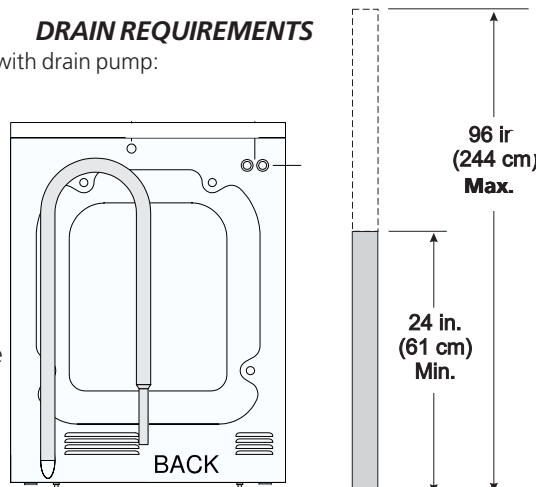
### WATER SUPPLY REQUIREMENTS

Hot and cold water faucets **MUST** be installed within 42 inches (107 cm) of your washer's water inlet. The faucets **MUST** be 3/4 inch (1.9 cm) garden hose type so inlet hoses can be connected. Water pressure **MUST** be between 10 and 120 pounds per square inch (maximum unbalance pressure, hot vs. cold, 10 psi.) Your water department can advise you of your water pressure. The hot water temperature should be about 140 degrees F (60 degrees C).

### DRAIN REQUIREMENTS

Models equipped with drain pump:

1. Drain **MUST** be capable of eliminating 17 gals (64.3 L) per minute.
2. A standpipe diameter of 1-1/4 in. (3.18 cm) minimum.
3. The standpipe height above the floor should be:

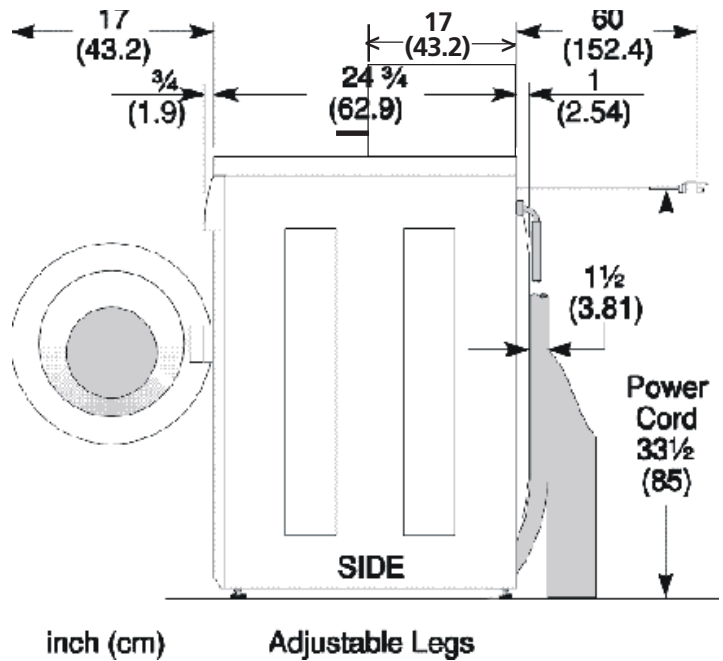


**NOTE:** Drain hose attached to the washer can reach a 58 in. (147 cm) high standpipe. For higher standpipe use hose P/N 131461201, available from an authorized parts distributor. If drain is less than 24 in. (61 cm), install a siphon break kit, available at your local hardware store.

Models equipped with gravity drain:

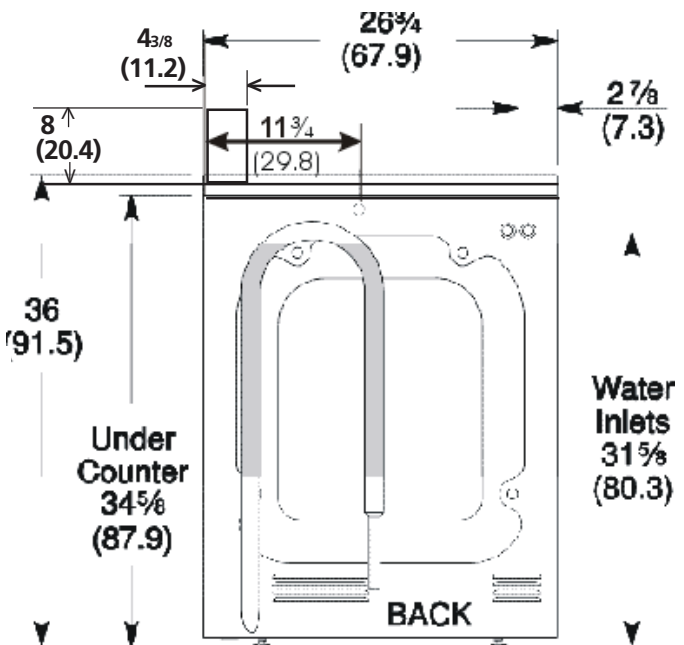
1. Floor drain **MUST** be capable of eliminating 17 gals (64.3 L) per minute.
2. Floor drain diameter must be at least 1/2 inch larger than drain hose.

### ROUGH-IN DIMENSIONS



inch (cm)

Adjustable Legs



Water Inlets  
31 5/8  
(80.3)

## LOCATION OF YOUR WASHER

### DO NOT INSTALL YOUR WASHER:

1. In an area exposed to dripping water or outside weather conditions. The ambient temperature should never be below 60 degrees F (15.6 degrees C) for proper washer operation.
2. In an area where it will come in contact with curtains or drapes.
3. In an area (garage or garage-type building) where gasoline or other flammables are kept or stored (including automobiles).
4. On carpet. Floor **MUST** be solid with a maximum slope of 1/2 in. per foot (1.27 cm per 30.5 cm). To ensure vibration or movement does not occur, reinforcement of the floor may be necessary.

### IMPORTANT

#### MINIMUM INSTALLATION CLEARANCES

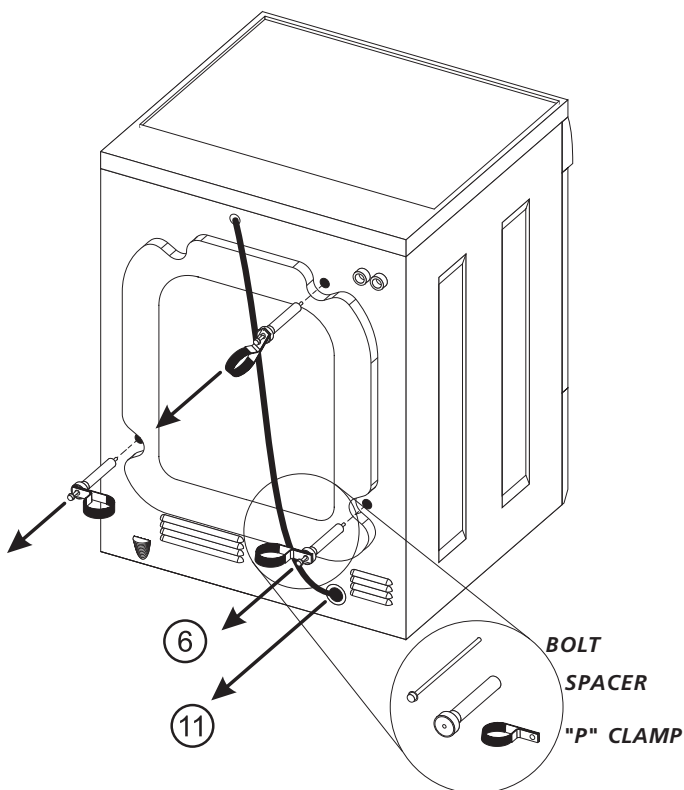
When installed in alcove: Sides, Rear, Top = 0 in (0 cm).

When installed in closet: Sides, Rear, Top = 0 in (0 cm), Front = 1 in (2.54 cm).

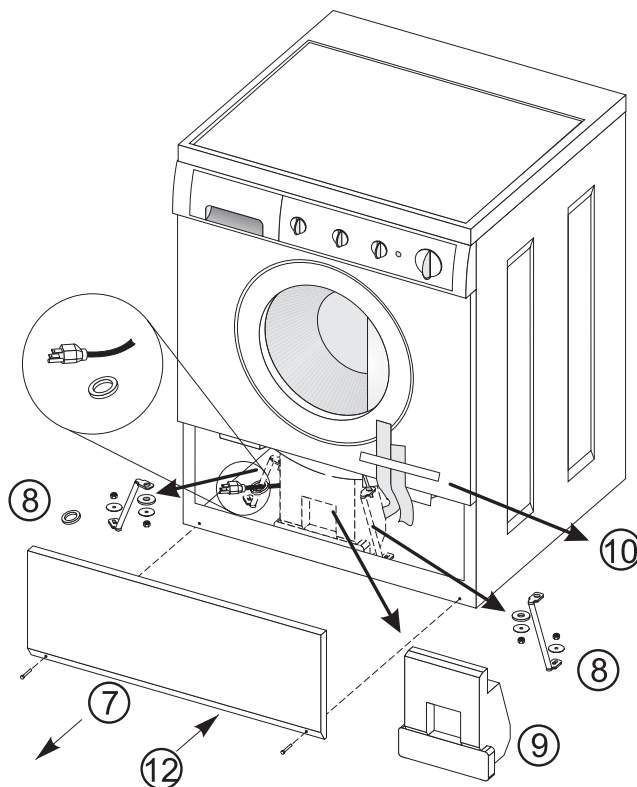
Closet door ventilation openings required: 2 louvers each 60 in<sup>2</sup> (387 cm<sup>2</sup>) - 3 in (7.6 cm) from top and bottom of door.

## UNPACKING

1. Cut the shipping carton along the dotted line along the base of the unit.
2. While in the carton carefully lay the washer on its back side.
3. Remove the styrofoam base.
4. Carefully return the washer to an upright position and remove the carton.
5. Carefully move the washer to within 4 feet (122cm) of the final location.
6. Remove the following from the back side of the washer:  
3 bolts,  
3 yellow plastic spacers,  
2 or 3 metal "P" clamps.



7. Remove the service panel from the front of the washer.
8. Remove the 4 nuts and 6 large washers that attach the 2 yellow shipping braces to the drum and the base. Lift up on the drum and remove the braces (a yellow ribbon surrounds the items to be removed). These braces must be removed to allow the power supply cord to be released from the shipping ring.
9. Remove the large styrofoam block located under the drum. Lift up on the drum, tilt the base of the foam block inwards toward the rear of the washer until free, then pull it out.



10. Remove and discard the yellow ribbon and label from the front of the washer.
11. From the rear of the washer, carefully pull out the power supply cord through the hole in the backsheet.
12. Replace the service panel and screws.

**NOTE:** If the washer is to be transported at a later date, the shipping support hardware must be reinstalled to prevent shipping damage.

## INSTALLATION

1. Run some water from the hot and cold faucets to flush the water lines and remove particles that might clog up the water valve screens.

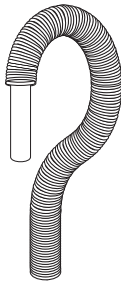
2. Remove the inlet hoses and rubber washers from the plastic bag and install the rubber washers in each end of the inlet hoses.



3. (90° elbow end) Carefully connect the inlet hose marked "HOT" to the outside "H" outlet of the water valve. Tighten by hand, then tighten another 2/3 turn with pliers. Carefully connect the other inlet hose to the inside "C" outlet of the water valve. Tighten by hand, then tighten another 2/3 turn with pliers. **Do not crossthread or over-tighten these connections.**

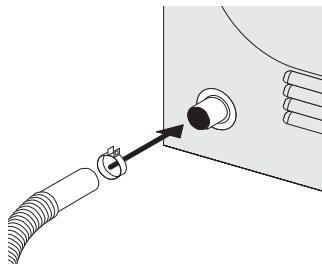
4. Connect the inlet hose ends to the HOT and COLD water faucets tightly by hand, then tighten another 2/3 turn with pliers. Turn the water on and check for leaks.

5. On machines equipped with drain pump, form a U shape on the end of the drain hose, with the hose pointed toward the drain.



**NOTE:** If the drain hose is placed in a standpipe without forming a U shape, a siphoning action could occur. There must be an air gap around the drain hose. A snug hose fit can also cause a siphoning action.

6. On machines equipped with gravity drain, connect one end of the drain hose to the drain outlet of the machine, using the provided clamp.



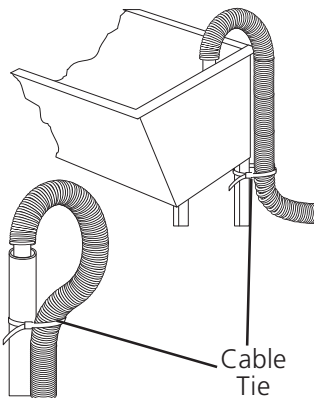
7. Carefully move the washer to its final location.

**NOTE:** Do not use the dispenser drawer or door to lift washer.

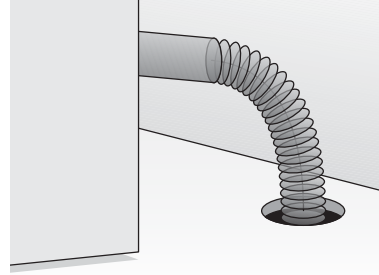
8. With the washer in its final position, place a level on top of the washer. Adjust the front leveling legs up or down to ensure the washer is resting solid. Turn the lock nuts on each leg up towards the base of the washer and snug with a wrench.

**NOTE:** Keep the leg extension at a minimum to prevent excessive vibration. The farther out the legs are extended the more the washer will vibrate. Rear leg adjustments are also accessible through the front service panel.

9. Models equipped with drain pump: Place the formed end of the drain hose in a laundry tub or a standpipe and secure with the cable tie provided in the enclosure package.



**Models equipped with gravity drain:** Run the machine's drain hose into an oversized floor drain or drain trough. The entire length of the drain hose must be below the drain outlet on the machine.



**NOTE:** The drain pipe or floor drain, into which the drain hose is placed, **MUST** be at least 1/2 inch larger in diameter than the drain hose. This will insure that the sewer line cannot back up into the washing machine.

10. Plug the power cord into a grounded outlet.

**NOTE:** Check to ensure the power is off at the circuit breaker/fuse box before plugging the power cord into an outlet.

11. Turn on the power at the circuit breaker/fuse box.

12. Be sure you have read the "Important Safety Instructions" on page 2 before operating this washer.

13. Run the washer through a complete cycle. Check for water leaks and proper operation.

14. Keep these instructions for future reference.

**NOTE:** A wiring diagram is located inside the washer on the service panel.

## REPLACEMENT PARTS

If replacement parts are needed for your washer, contact the source where you purchased your washer or call 1-800-265-8352 for the Frigidaire Canada Authorized Parts Distributor nearest you.

**WARNING** Destroy the carton and plastic bags after the washer is unpacked. Children might use them for play. Cartons covered with rugs, bedspreads, or plastic sheets can become airtight chambers causing suffocation. Place all materials in a garbage container or make materials inaccessible to children.

**WARNING** The instructions in this manual and all other literature included with this washer are not meant to cover every possible condition and situation that may occur. Good safe practice and caution **MUST** be applied when installing, operating and maintaining any appliance.

Maximum benefits and enjoyment are achieved when all the Safety and Operating instructions are understood and practiced as a routine with your laundering tasks.

# Commercial Appliance Warranty Information

Your appliance is covered by a **one year limited warranty**. For one year from your original date of purchase, Electrolux will pay all costs, except as set forth below, for repairing or replacing any parts of this appliance that prove to be defective in materials or workmanship when such appliance is installed, used, and maintained in accordance with the provided instructions.

## Exclusions

### This warranty does not cover the following:

1. All labor costs on commercial laundry products.
2. Payment acceptance devices for commercial laundry products.
3. Products with original serial numbers that have been removed, altered or cannot be readily determined.
4. Normal wear and tear and gradual deterioration.
5. Product that has been transferred from its original owner to another party or removed outside the USA or Canada.
6. Rust on the interior or exterior of the unit.
7. Products purchased "as-is".
8. Food loss due to any refrigerator or freezer failures.
9. Damage caused at any time during shipment.
10. Service calls which do not involve malfunction or defects in materials or workmanship, or for appliances used other than in accordance with the provided instructions.
11. Service calls to correct the installation of your appliance or to instruct you how to use your appliance.
12. Expenses for making the appliance accessible for servicing, such as removal of trim, cupboards, shelves, etc., which are not a part of the appliance when it is shipped from the factory.
13. Service calls to replace appliance light bulbs, air filters, water filters, other consumables, or knobs, handles, or other cosmetic parts.
14. Surcharges including, but not limited to, any after hour, weekend, or holiday service calls, tolls, ferry trip charges, or mileage expense for service calls to remote areas, including the state of Alaska.
15. Damages to the finish of appliance and/or location that are incurred during installation, including but not limited to floors, cabinets, walls, etc.
16. Damages caused by: services performed by unauthorized service companies; use of parts other than genuine Electrolux parts or parts obtained from persons other than authorized service companies; or external causes such as abuse, misuse, inadequate power supply, accidents, fires, or acts of God.
17. Labor costs after ninety (90) days from your original date of purchase incurred for product repair or replacement as provided herein for appliances operated by a concessionaire or vendor in a trailer or other motorized vehicle or at varying locations.

## DISCLAIMER OF IMPLIED WARRANTIES; LIMITATION OF REMEDIES

CUSTOMER'S SOLE AND EXCLUSIVE REMEDY UNDER THIS LIMITED WARRANTY SHALL BE PRODUCT REPAIR OR REPLACEMENT AS PROVIDED HEREIN. CLAIMS BASED ON IMPLIED WARRANTIES, INCLUDING WARRANTIES OF MERCHANTABILITY OR FITNESS FOR A PARTICULAR PURPOSE, ARE LIMITED TO ONE YEAR OR THE SHORTEST PERIOD ALLOWED BY LAW, BUT NOT LESS THAN ONE YEAR. ELECTROLUX SHALL NOT BE LIABLE FOR CONSEQUENTIAL OR INCIDENTAL DAMAGES SUCH AS PROPERTY DAMAGE AND INCIDENTAL EXPENSES RESULTING FROM ANY BREACH OF THIS WRITTEN LIMITED WARRANTY OR ANY IMPLIED WARRANTY. SOME STATES AND PROVINCES DO NOT ALLOW THE EXCLUSION OR LIMITATION OF INCIDENTAL OR CONSEQUENTIAL DAMAGES, OR LIMITATIONS ON THE DURATION OF IMPLIED WARRANTIES, SO THESE LIMITATIONS OR EXCLUSIONS MAY NOT APPLY TO YOU. THIS WRITTEN WARRANTY GIVES YOU SPECIFIC LEGAL RIGHTS. YOU MAY ALSO HAVE OTHER RIGHTS THAT VARY FROM STATE TO STATE.

**If You Need Service** Keep your receipt, delivery slip, or some other appropriate payment record to establish the warranty period should service be required. If service is performed, it is in your best interest to obtain and keep all receipts. Service under this warranty must be obtained by contacting Electrolux at the addresses or phone numbers below.

This warranty only applies in the USA and Canada. In the USA, your appliance is warranted by **Electrolux Major Appliances North America, a division of Electrolux Home Products, Inc.** In Canada, your appliance is warranted by **Electrolux Canada Corp.** Electrolux authorizes no person to change or add to any obligations under this warranty. Obligations for service and parts under this warranty must be performed by Electrolux or an authorized service company. Product features or specifications as described or illustrated are subject to change without notice.

**USA**  
**1.866.738.1640**  
Electrolux Major Appliances  
North America  
P.O. Box 212378  
Augusta, GA 30907



**Canada**  
**1.866.738.1640**  
Electrolux Canada Corp.  
5855 Terry Fox Way  
Mississauga, Ontario, Canada  
L5V 3E4

Votre laveuse est équipée d'un contact de sécurité de porte. Vérifiez l'opération appropriée du système de couplage quotidienne, en utilisant le procédé suivant:

1. Avec la porte de laveuse ouverte, insérez le nombre requis de pièces de monnaie (ou de la carte appropriée, sur des machines équipées de l'carte-commencez le système) et serrez le bouton marche. LA LAVEUSE NE DOIT PAS COMMENCER !

2. Fermez la porte de laveuse. Serrez le bouton marche encore pour mettre en marche la machine. Essayez d'ouvrir la porte, sans exercer la force excessive.

LA PORTE NE DOIT PAS S'OUVRIRE ! SI LA LAVEUSE COMMENCE PAR LA PORTE OUVERTE, OU LA PORTE PEUT ÊTRE OUVERTE TANDIS QUE LA LAVEUSE FONCTIONNE, LA MACHINE DOIT IMMÉDIATEMENT ÊTRE PRISE HORS DU SERVICE. DÉBRANCHEZ LE CORDON DE SECTEUR, ET MARQUEZ LA MACHINE "EN PANNE", JUSQU'À CE QUE LE SYSTÈME DE COUPLAGE SOIT RÉPARÉ, ET FONCTIONNEZ COMME DÉCRIT CI-DESSUS.

Si vous avez des questions concernant le fonctionnement de cette machine, ou l'essai approprié du système de couplage de porte, appelez 1-800-944-9044 pour le service autorisé Company de Frigidaire.

**Remarque :** Les directives qui figurent dans le Guide de l'utilisateur ne sauraient couvrir toutes les circonstances et les situations possibles. Il faut donc faire preuve de jugement et de prudence pendant l'installation, l'utilisation et l'entretien de tout appareil électroménager.

## Consignes de sécurité importantes

## CONSERVER CE MODE D'EMPLOI

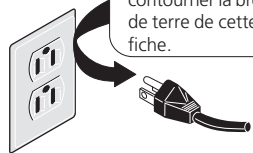
### POUR VOTRE SÉCURITÉ

Ne pas entreposer ni utiliser de l'essence ni tout autre vapeur ou liquide inflammable à proximité de cet appareil ou de tout autre appareil électroménager.

**AVERTISSEMENT** Pour prévenir les risques d'incendie ou d'électrocution, ne pas utiliser de fiche adaptatrice ni de cordon de rallonge et ne pas retirer la prise de terre du cordon d'alimentation électrique. Toute dérogation à cette consigne pourrait entraîner des blessures graves, un incendie ou la mort.

Prise murale mise à la terre

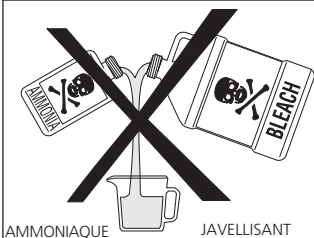
Il ne faut en aucun cas couper, retirer ou contourner la broche de terre de cette fiche.



Cordon d'alimentation avec fiche à 3 broches mise à la terre

**CORRECT Utiliser SEULEMENT de cette façon**

**AVERTISSEMENT** Ne pas utiliser ni mélanger de javellisant liquide chloré avec d'autres produits chimiques d'usage domestique comme les net-toyants pour cuvettes, les produits dégraissants, acides ou contenant de l'ammoniaque. Ces mélanges peuvent dégager des vapeurs dangereuses capables de causer des blessures graves ou la mort.



AMMONIAQUE JAVELLISANT

**Lire toutes les directives avant d'utiliser la laveuse.**

**AVERTISSEMENT** Pour réduire les risques d'incendie, d'électrocution ou de blessures pendant l'utilisation de la laveuse, respecter toutes les mises en garde fondamentales qui suivent.

**AVERTISSEMENT** Toute dérogation à ces mises en garde pourrait entraîner des blessures graves.

### Prévention des incendies

**AVERTISSEMENT** Ne pas laver dans cet appareil des articles qui ont été au préalable lavés ou trempés dans de l'essence, du solvant nettoyant, du kérosène, de l'huile à cuisson, de la cire, etc., ni des articles qui sont souillés de ces produits. Ne pas entreposer de tels articles sur la laveuse ni à proximité de celle-ci. Les produits décrits ci-dessus dégagent des vapeurs ou réactions chimiques qui peuvent s'enflammer ou exploser.

**AVERTISSEMENT** Ne pas déposer de chiffons ou de vêtements imbibés d'huile ou de graisse sur le dessus de la laveuse. Ces substances dégagent des vapeurs qui peuvent enflammer les tissus.

**AVERTISSEMENT** Ne pas ajouter d'essence, de solvant nettoyant ni toute autre substance inflammable ou explosive à l'eau de lavage. Ces substances dégagent des vapeurs qui peuvent s'enflammer ou exploser.

**AVERTISSEMENT** Dans certaines circonstances, de l'hydrogène peut s'accumuler dans les canalisations d'eau chaude qui demeurent inutilisées pendant deux semaines ou plus. **L'HYDROGÈNE EST UN GAZ EXPLOSIF.** Si la canalisation d'eau chaude n'a pas été utilisée depuis au moins deux semaines, ouvrir tous les robinets d'eau chaude et laisser couler l'eau pendant plusieurs minutes avant d'utiliser la laveuse. De cette façon, toute trace d'hydrogène sera purgée de la canalisation. L'hydrogène est un gaz explosif; ne pas fumer ni utiliser de flamme vive pendant la purge de la canalisation.

**AVERTISSEMENT** Toute dérogation à ces mises en garde pourrait entraîner un incendie, une explosion, des blessures graves ou des dommages aux pièces en caoutchouc ou en plastique de la laveuse.

### Protection des enfants

**AVERTISSEMENT** Ne pas permettre aux enfants de jouer sur la laveuse ni à l'intérieur de celle-ci. Lorsque la laveuse est utilisée à proximité d'enfants, il est recommandé de les surveiller attentivement. Dès que les enfants sont assez grands, leur enseigner l'utilisation correcte et sécuritaire de tous les appareils électroménagers.

**AVERTISSEMENT** Détruire la boîte, le sac en plastique et les autres matériaux d'emballage qui enveloppent la laveuse. Les enfants risqueraient de s'en servir comme jouet. Les cartons recouverts d'un tapis, d'un couvre-lit ou d'une feuille de plastique peuvent former une chambre étanche.

**AVERTISSEMENT** Garder les produits à lessive hors de portée des enfants. Pour prévenir les blessures, respecter toutes les consignes de sécurité qui figurent sur l'étiquette de ces produits.

**AVERTISSEMENT** Avant de mettre la laveuse hors d'usage ou de la jeter, retirer la porte pour éviter que quelqu'un ne s'emprisonne accidentellement dans l'appareil.

**AVERTISSEMENT** Toute dérogation à ces mises en garde pourrait entraîner des blessures graves.

### Prévention des blessures

**AVERTISSEMENT** Examinez le journal de système de couplage de porte. Suivez les instructions à la page précédente.

**AVERTISSEMENT** Pour prévenir les risques d'électrocution et assurer la stabilité de l'appareil pendant le fonctionnement, la laveuse doit être installée et mise à la terre par un technicien qualifié conformément aux codes locaux. La Notice d'installation accompagne la laveuse, mais elle est destinée à l'installateur. Se reporter à la NOTICE D'INSTALLATION pour obtenir la marche à suivre pour la mise à la terre. Si la laveuse doit être déplacée, la faire vérifier et réinstaller par un technicien qualifié.

**AVERTISSEMENT** Pour prévenir les blessures et éviter d'endommager la laveuse, le cordon d'alimentation électrique de la laveuse doit être branché dans une prise à 3 trous correctement mise à la terre et polarisée. **La troisième broche de mise à la terre ne doit en aucun cas être retirée. Ne jamais relier la laveuse à un tuyau de gaz pour la mettre à la terre. Ne pas utiliser de cordon de rallonge ni de fiche adaptatrice.**

**AVERTISSEMENT** Suivre le mode d'emploi de chaque produit à lessive utilisé. Une utilisation incorrecte pourrait produire des gaz toxiques et causer des blessures graves ou la mort.

- **Ne pas** utiliser plus d'un seul produit à lessive par brassée, à moins d'indications contraires sur l'emballage.
- **Ne pas** mélanger d'eau de javel avec de l'ammoniaque ou des produits acides comme le vinaigre.

**AVERTISSEMENT** Pour prévenir les blessures graves et ne pas endommager la laveuse :

- **Les réparations et l'entretien doivent être effectués uniquement par un agent de service autorisé** à moins d'indications spécifiques à l'effet contraire dans le présent Guide de l'utilisateur. N'utiliser que des pièces recommandées par le fabricant.
- **Ne pas** modifier les commandes.
- **Ne pas** installer ni entreposer la laveuse dans un endroit où elle serait exposée aux conditions atmosphériques.
- **N'installez pas** la machine à laver sur un tapis. Installez-la sur un plancher solide. Il s'avérera peut-être nécessaire de solidifier le plancher pour empêcher les vibrations et le déplacement de la machine.

**AVERTISSEMENT** Pour réduire les risques d'électrocution, débrancher l'appareil de sa source d'alimentation avant d'effectuer toute mesure d'entretien. Même si les commandes sont en position fermée (OFF), l'appareil demeure relié à sa source d'alimentation.

**AVERTISSEMENT** Pour prévenir les blessures, ne pas insérer la main dans la laveuse tant que les pièces mobiles sont en mouvement. Avant de charger ou de décharger une brassée ou d'ajouter des articles, enfoncez le sélecteur de cycle et attendez que le tambour s'arrête complètement avant d'insérer la main dans la laveuse.

**AVERTISSEMENT** Toute dérogation à ces mises en garde pourrait entraîner des blessures graves.

**AVERTISSEMENT** Cette laveuse est pourvue d'un disjoncteur thermique. Le moteur s'éteint de lui-même lorsqu'il surchauffe. La laveuse redémarre d'elle-même après une période de refroidissement pouvant atteindre 30 minutes à condition qu'elle n'ait pas été arrêtée manuellement.

## AVANT L'INSTALLATION

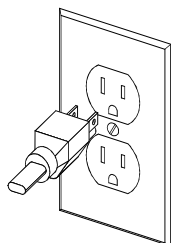
### Outils requis pour l'installation :

1. Tournevis à douille de 1/4 po
2. Clé à cliquet avec douille de 3/8 po
3. Clé ouverte de 3/8 po
4. Clé à cliquet avec douille de 7/16 po
5. Clé ouverte de 9/16 po
6. Pincés multiprise
7. Niveau de menuisier

## INSTALLATION ÉLECTRIQUE

**CIRCUIT** - Dérivation distincte convenablement polarisée et mise à la terre de 15 A avec fusible à retardement ou disjoncteur de 15 A.

**ALIMENTATION ÉLECTRIQUE** - 2 fils avec prise de terre, 120 volts, une phase, 60 Hz, courant alternatif. NOTE: L'utilisation d'une laveuse avec le courant d'un générateur à gaz, générateur à solaire, générateur à vent, ou d'un autre générateur excepté la centrale électrique n'est pas recommander.



**PRISE DE COURANT** - Prise à 3 ouvertures convenablement mise à la terre et située de façon à ce que le cordon d'alimentation électrique soit accessible une fois la laveuse en place. NOTE: Prise à GFI (Ground Fault Interrupter) n'est pas requise.

## MISE À LA TERRE

**⚠ AVERTISSEMENT** Le branchement inadéquat du conducteur de mise à la terre pourrait présenter un risque d'électrocution. En cas de doute quant à la mise à la terre adéquate de l'appareil, contacter un électricien agréé.

1. La laveuse **DOIT** être mise à la terre. En cas de mauvais fonctionnement ou de panne, la mise à la terre réduit les risques d'électrocution en offrant un parcours de moindre résistance au courant.
2. Puisque cette laveuse est pourvue d'un cordon d'alimentation électrique comportant un conducteur et une fiche de terre, la fiche **DOIT** être branchée dans une prise murale à conducteur en cuivre convenablement raccordée au réseau et mise à la terre conformément à tous les codes et ordonnances locaux ou, s'il n'existe pas de codes locaux, conformément au Code ANSI/NFPA 70 (l'édition la

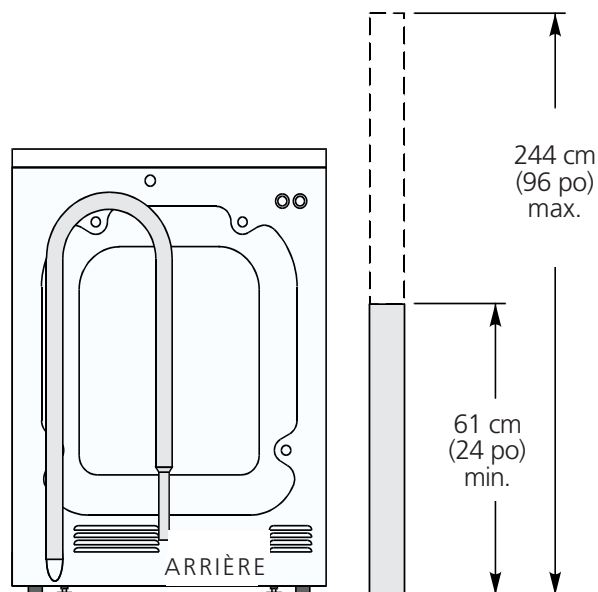
plus récente). En cas de doute, contacter un électricien agréé. **NE PAS** couper ni modifier la broche de mise à la terre du cordon d'alimentation électrique. Lorsque la prise murale n'a que deux ouvertures, il incombe au propriétaire de la laveuse de contacter un électricien agréé pour remplacer cette prise par une prise à trois ouvertures **convenablement mise à la terre**.

## ALIMENTATION EN EAU

Les robinets d'eau chaude et d'eau froide **DOIVENT** être installés à au plus 107 cm (42 po) de l'arrivée d'eau de la laveuse. Les robinets **DOIVENT** être du type qu'on utilise pour un boyau d'arrosage et mesurer 1,9 cm (3/4 po) pour que les boyaux d'arrivée d'eau puissent être branchés. La pression de l'eau **DOIT** se situer entre 10 et 120 livres par pouce carré (écart de pression maximum entre l'eau chaude et l'eau froide de 10 lb/po<sup>2</sup>). Le service des aqueducs de votre localité peut vous aider à déterminer la pression d'eau. L'eau chaude devrait être à environ 49°C (120°F).

## ÉVACUATION D'EAU

1. Renvoi capable d'évacuer 64,3 L (17 gallons) par minute.
2. Tuyau de chute de 3,18 cm (1-1/4 po) de diamètre au minimum.
3. Hauteur du tuyau de chute par rapport au plancher :  
Hauteur minimum : 61 cm (24 po)  
Hauteur maximum : 244 cm (96 po)

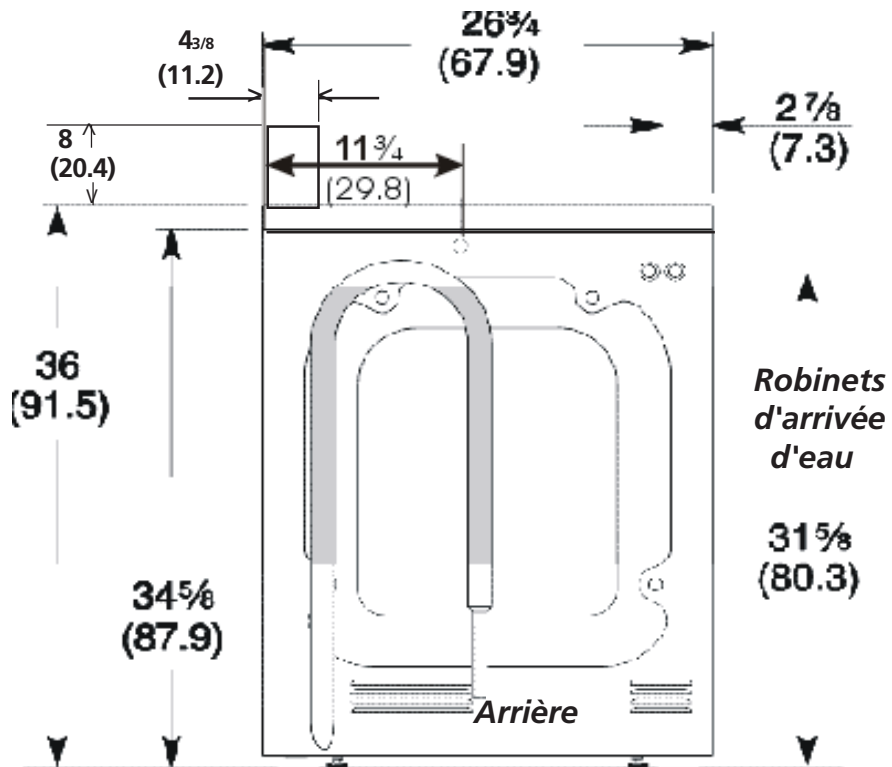
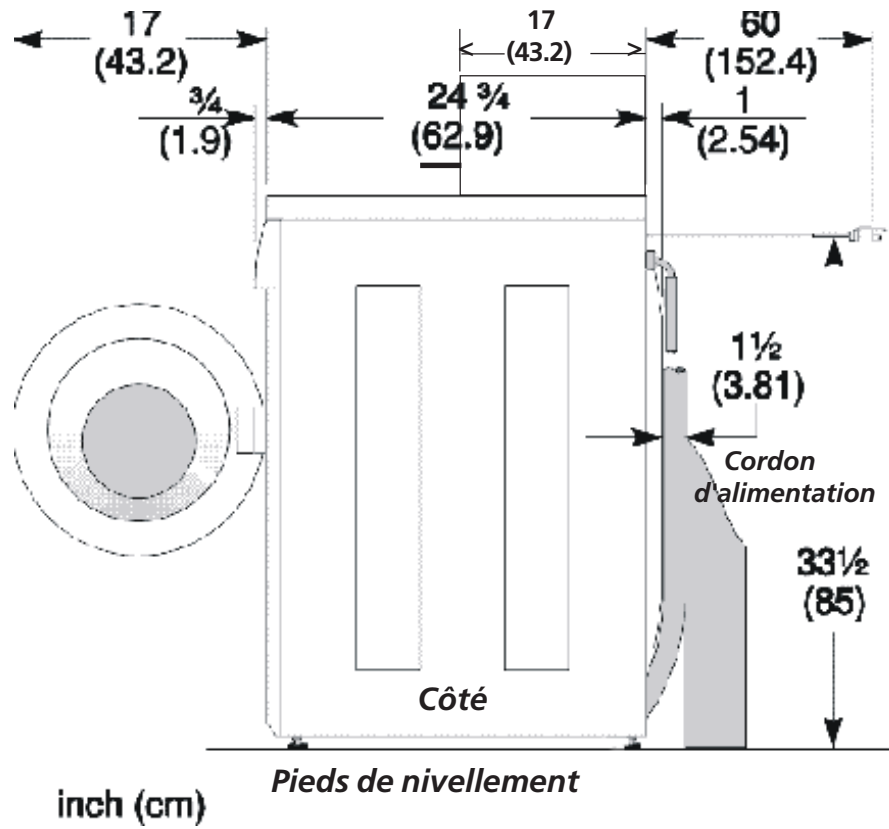


### REMARQUE :

Le boyau d'évacuation relié à la laveuse peut atteindre un tuyau de chute de 147 cm (58 po). Pour les tuyaux de chute plus élevés, se procurer un boyau n° de pièce 131461201 auprès d'un fournisseur de pièces agréé. Si le renvoi mesure moins de 61 cm (24 po), poser un ensemble anti-siphon, se procurer auprès d'une quincaillerie locale.



## DIMENSIONS DE L'EMPLACEMENT



## EMPLACEMENT DE LA LAVEUSE

### NE PAS INSTALLER LA LAVEUSE :

1. Dans un endroit exposé à un écoulement d'eau ou aux conditions atmosphériques. La température ambiante ne doit jamais descendre en-dessous de 15,6°C (60°F) pour que la laveuse fonctionne correctement.
2. Dans un endroit où elle serait en contact avec des rideaux ou des tentures.
3. Dans un endroit (garage ou structure semblable) où de l'essence ou d'autres produits inflammables sont conservés ou entreposés (y compris une automobile).
4. Sur un tapis. Le plancher **DOIT** être ferme et présenter une pente maximum de 1,27 cm par 30,5 cm (1/2 po par pied). Pour éviter toute vibration ou tout mouvement, il peut être nécessaire de renforcer le plancher.

### IMPORTANT

#### DÉGAGEMENTS MINIMAUX POUR L'INSTALLATION

#### Installation en alcôve ou armoire:

Côtés, Arrière = 0 cm (0 po)

Dessus = 0 cm (0 po) **Modèle à Console Avant**

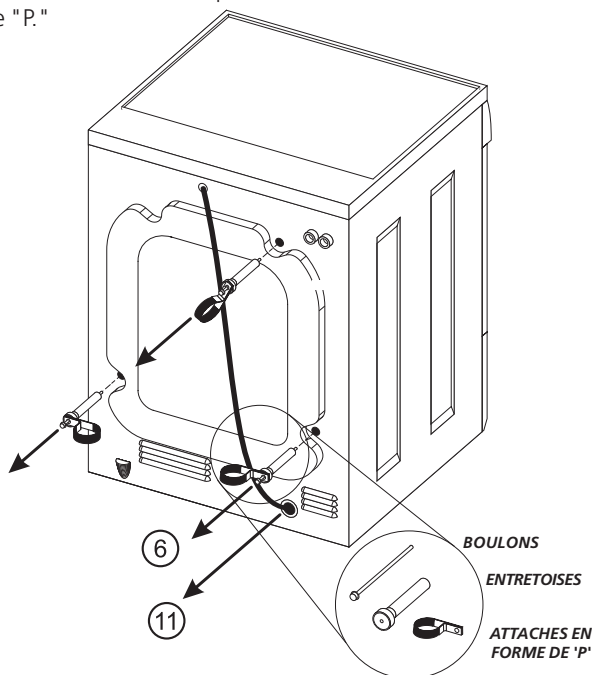
Dessus = 38,1 cm (15 po) **Modèle à Console Arrière**

#### Installation en armoire: Avant = 2,54 cm (1 po)

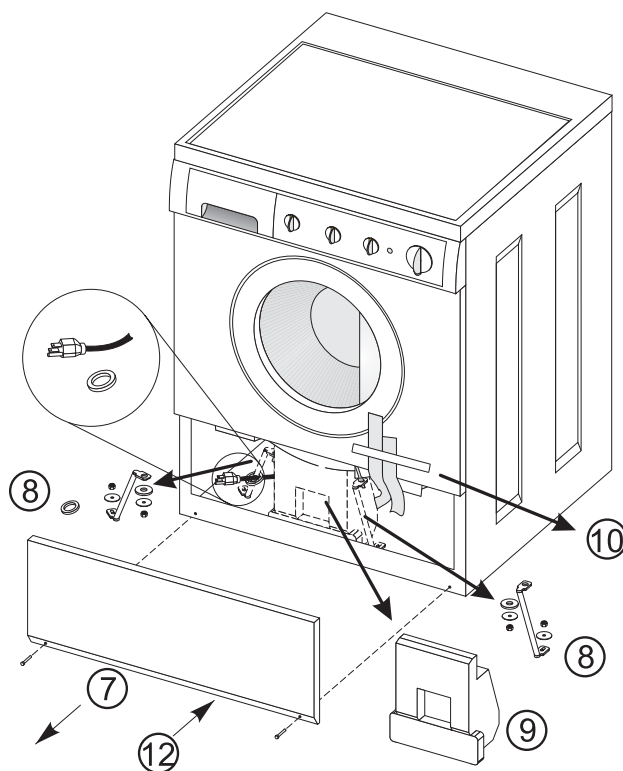
Ventilation requise dans la porte du placard: 2 ouvertures chacune 2 volets de 387 cm<sup>2</sup> (60 po<sup>2</sup>) chacun, à 7,6 cm (3 po) du bas et du haut de la porte.

## DÉBALLAGE

1. Couper le carton d'emballage le long de la ligne pointillée dans le bas de l'appareil.
2. En laissant l'appareil dans le carton, coucher la laveuse sur son panneau arrière.
3. Retirer la base en styrofoam.
4. Replacer délicatement la laveuse à la verticale, puis retirer le carton.
5. Déplacer délicatement la laveuse jusqu'à ce qu'elle soit à environ 122 cm (4 pieds) de son emplacement définitif.
6. Retirer les pièces suivantes de l'arrière de la laveuse :
  - 3 boulons
  - 3 entretoises en plastique jaunes
  - 2 ou 3 attaches métalliques en forme de "P."



7. Retirer le panneau avant de la laveuse.
8. Démontez les 4 écrous et les 6 grosses rondelles qui retiennent les deux attaches d'expédition jaunes au tambour et à la base. Soulevez le tambour et retirez les attaches (un ruban jaune entoure les éléments à retirer). Il faut retirer ces attaches afin de libérer le cordon d'alimentation des anneaux d'expédition.
9. Retirer le grand morceau de styrofoam situé sous le tambour. Soulever le tambour, basculer le bas du morceau de mousse vers l'intérieur et vers l'arrière de la laveuse jusqu'à ce qu'il se dégage, puis le sortir en tirant.



10. Retirer et jeter le ruban jaune et l'étiquette du devant de la laveuse.
11. A l'arrière de la machine à laver, irez soigneusement le cordon d'alimentation à travers du trou pourvu à cette fin dans le panneau arrière.
12. Remonter le panneau de service et les vis.

### REMARQUE :

Dans l'éventualité où la machine à laver doit être transportée à une date ultérieure, il faut réinstaller la quincaillerie d'expédition, les attaches et supports, pour prévenir tout dommage durant l'expédition. Conservez cette quincaillerie dans l'enveloppe de plastique fournie à cet effet.

## INSTALLATION

1. Ouvrir les robinets d'eau chaude et d'eau froide de façon à nettoyer la canalisation et à éliminer toute particule qui pourrait engorger le filtre des robinets.
2. Enlevez du sac en plastique les tuyaux d'arrivée et les rondelles caoutchouc et installez les rondelles à chaque extrémité.
3. (Quatre-vingt-dix degré des coudes) Branchez soigneusement le tuyau d'arrivée marqué HOT (CHAUDE) à la sortie inférieure de la soupape d'eau. Serrez à la main, puis serrez encore de 2/3 de tour à l'aide de pinces. Branchez soigneusement l'autre tuyau COLD (FROIDE) d'arrivée à la sortie supérieure de la soupape d'eau. Serrez à la main, puis serrez encore de 2/3 de tour à l'aide de pinces.

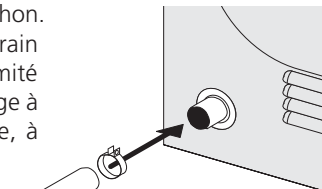


**NE FAUS-SEZ PAS LE FILETAGE ET NE SERREZ PAS TROP CES RACCORDEMENTS.**

4. Déterminez quel est le robinet d'eau **CHAUDE** et branchez soigneusement le tuyau d'arrivée inférieur au robinet d'eau **CHAUDE**, serrez à la main, puis serrez encore de 2/3 de tour, à l'aide de pinces. Branchez soigneusement le tuyau d'arrivée supérieur au robinet d'eau **FROIDE**, serrez à la main, puis serrez encore de 2/3 de tour, à l'aide de pinces.
5. Sur des machines équipées de la pompe de drain, recourber l'extrémité du boyau de vidange en forme de U vers le circuit de vidange. Le placer dans une cuve ou un tuyau fixe et fixer le tout avec l'attache fournie dans l'ensemble ci-joint.

**REMARQUE :** Si le boyau de vidange est placé dans un tuyau sans être recourbé en forme de U, un effet de siphon peut en résulter. Il faut qu'il y ait une prise d'air autour du boyau de vidange. Un ajustement trop serré du boyau dans le tuyau de vidange peut également causer un effet de siphon.

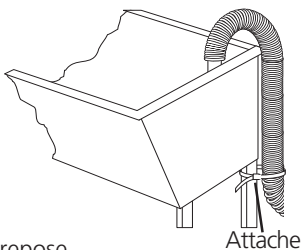
6. Sur des machines équipées du drain de pesanteur, reliez une extrémité de la tuyauterie souple de vidange à la sortie de drain de la machine, à l'aide de la bride fournie.



7. Placer la laveuse avec soin dans son emplacement définitif.

**REMARQUE :** Ne vous servez pas du tiroir distributeur ou de la porte pour soulever la laveuse.

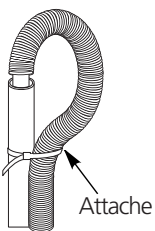
8. Une fois la laveuse à son emplacement définitif, placer un niveau sur le dessus, la laveuse ne doit pas osciller. Ajuster les pieds de mise à niveau vers le haut ou vers le bas pour assurer que la laveuse repose solidement sur le plancher, sans osciller. Il est possible d'allonger les pieds arrière est accessible par le panneau de service avant. Tourner



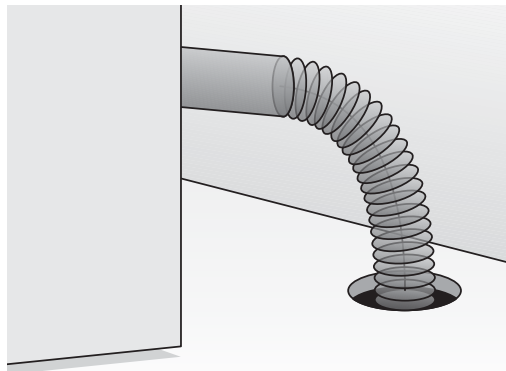
les contre-écrous de chaque pied vers le bas de la laveuse et serrer solidement avec une clé.

**REMARQUE :** Garder les pieds de mise à niveau le moins haut possible pour prévenir toute vibration excessive. Plus les pieds sortent du châssis, plus la laveuse vibrera.

9. **Modèles équipés de la pompe de drain :** Placez l'extrémité formée de la tuyauterie souple de vidange dans un baquet de blanchisserie ou une colonne et la fixez avec le serre-câble fourni dans le paquet de clôture.



**Modèles équipés du drain de pesanteur :** Courez la boyau de vidange de la machine dans un drain surdimensionné de plancher ou vidangez la cuvette. La longueur entière de la boyau de vidange doit être au-dessous de la sortie de drain sur la machine.



**NOTE :** Le tuyau de drain ou de plancher, dans lequel la boyau de vidange est placée, DOIT être au moins pouce de 1/2 plus grand de diamètre que la boyau de vidange. Ceci assurera que la ligne d'égout ne peut pas soutenir dans la machine à laver.

10. Brancher le cordon d'alimentation électrique dans une prise murale mise à la terre.

**REMARQUE :** S'assurer que le courant est coupé à la boîte de fusibles ou de disjoncteurs avant de brancher le cordon dans la prise.

11. Remettre le courant à la boîte de fusibles ou de disjoncteurs.
12. Soyez sûr que vous avez lu "les instructions de sûreté importantes" aux pages 7 avant d'actionner cette laveuse.
13. Faire fonctionner la laveuse sur un cycle complet. S'assurer qu'il n'y a pas de fuite et que la laveuse fonctionne correctement.
14. Placer cette notice près de la laveuse pour référence future.

**REMARQUE :** Un schéma de câblage se trouve dans le panneau avant de la laveuse.

## PIÈCES DE RECHANGE

Pour obtenir des pièces de rechange pour la laveuse, contacter le magasin d'où vient la laveuse ou appeler le 1-800-265-8352 pour connaître l'emplacement du fournisseur de pièces authentiques Frigidaire le Canadâ plus proche.

**AVERTISSEMENT** Détruire le carton et les sacs en plastique après avoir déballé la laveuse. Des enfants risqueraient de s'en servir comme jouet. Les cartons recouverts d'un tapis, d'un couvre-lit ou d'une feuille de plastique peuvent former une chambre étanche et faire suffoquer un enfant. Placer le matériel d'emballage dans une poubelle ou le mettre hors de portée des enfants.

Les directives qui figurent dans cette notice et dans les autres documents qui accompagnent la laveuse ne sauraient couvrir toutes les circonstances et les situations possibles. Il **FAUT** donc faire preuve de jugement et de prudence pendant l'installation, l'utilisation et l'entretien de tout appareil électroménager.

Pour tirer le maximum de rendement et de plaisir de cet l'appareil, lire et respecter en tout temps les consignes de sécurité et les directives d'utilisation.

# Informations sur la garantie d'appareils commerciaux

Votre appareil est couvert par une garantie limitée d'un an. Pendant un an à partir de la date d'achat originale, Electrolux assumera les coûts des réparations ou du remplacement des pièces de cet appareil qui présente un défaut de fabrication ou de matériau, si cet appareil est installé, utilisé et entretenu selon les instructions fournies avec celui-ci.

## **Cette garantie ne couvre pas ce qui suit :**

1. Tous les coûts de main-d'œuvre sur les produits de buanderie commerciale.
2. Les dispositifs ou appareils de paiement des produits de buanderie commerciale.
3. Les produits dont le numéro de série original a été enlevé, modifié ou qui n'est pas facilement déterminable.
4. Usure normale et détérioration graduelle.
5. Les produits qui ont été transférés de leur propriétaire initial à une autre partie ou qui ne sont plus aux États-Unis ou au Canada.
6. La rouille à l'intérieur ou à l'extérieur de l'appareil.
7. Les produits vendus « tels quels » ne sont pas couverts par cette garantie.
8. Les aliments perdus en raison de pannes du réfrigérateur ou du congélateur.
9. Dommage causé à tout moment de l'expédition.
10. Les appels de service qui ne concernent pas un mal fonctionnement, un défaut de fabrication ou un vice de matériau ou pour les appareils qui ne sont pas l'objet d'un usage domestique ou qui ne sont pas utilisés conformément aux instructions fournies.
11. Les appels de service pour vérifier l'installation de votre appareil ou pour obtenir des instructions sur la façon d'utiliser votre appareil.
12. Les frais qui rendent l'appareil accessible pour une réparation, par exemple enlever des garnitures, les armoires, les étagères, etc. qui ne faisaient pas partie de l'appareil lorsqu'il a quitté l'usine.
13. Les appels de service au sujet de la réparation ou du remplacement des ampoules, des filtres à air, des filtres à eau, d'autre matériel ou des boutons, poignées ou autres pièces esthétiques.
14. Les frais supplémentaires, y compris, sans s'y limiter, les appels de service après les heures normales de bureau, le week-end ou les jours fériés, les droits et péages, les frais de voyage ou les frais de déplacement pour les appels de service dans des endroits isolés, notamment l'État de l'Alaska.
15. Les dommages causés au fini de l'appareil ou à la maison pendant l'installation, y compris, sans s'y limiter, aux planchers, aux armoires, aux murs, etc.
16. Les dommages causés par : des réparations faites par des techniciens non autorisés; l'utilisation de pièces autres que les pièces Electrolux d'origine qui n'ont pas été obtenues par l'entremise d'un réparateur autorisé; ou les causes étrangères comme l'abus, l'alimentation électrique inadéquate ou les cas de force majeure.
17. Les coûts de main-d'œuvre suivant quatre-vingt-dix (90) jours de la date originale d'achat, engagés pour la réparation ou le remplacement de produit, tel que stipulé aux présentes pour les appareils opérés par un concessionnaire ou un vendeur dans une remorque ou un autre véhicule motorisé ou dans divers emplacements.

## **AVIS DE NON-RESPONSABILITÉ SUR LES GARANTIES IMPLICITES; LIMITATIONS DES RECOURS**

L'UNIQUE RECOURS DU CLIENT EN VERTU DE CETTE GARANTIE LIMITÉE EST LA RÉPARATION OU LE REMPLACEMENT DU PRODUIT COMME DÉCRIT PRÉCÉDEMMENT. LES DEMANDES BASÉES SUR DES GARANTIES IMPLICITES, Y COMPRIS LES GARANTIES IMPLICITES DE QUALITÉ MARCHANDE ET D'ADAPTATION À UN USAGE PARTICULIER SONT LIMITÉES À AU MOINS UN AN OU À LA PÉRIODE LA PLUS COURTE PERMISE PAR LA LOI. ELECTROLUX NE SERA PAS TENUE RESPONSABLE DES DOMMAGES DIRECTS OU INDIRECTS NI DES DOMMAGES MATÉRIELS ET DES DÉPENSES IMPRÉVUES RÉSULTANT D'UNE VIOLATION DE CETTE GARANTIE ÉCRITE OU DE TOUTE AUTRE GARANTIE IMPLICITE. CERTAINS ÉTATS ET CERTAINES PROVINCES NE PERMETTENT PAS DE RESTRICTION OU D'EXEMPTION SUR LES DOMMAGES DIRECTS OU INDIRECTS OU DE RESTRICTION SUR LES GARANTIES IMPLICITES. DANS CE CAS, CES RESTRICTIONS OU EXEMPTIONS POURRAIENT NE PAS ÊTRE APPLICABLES. CETTE GARANTIE ÉCRITE VOUS PROCURE DES DROITS LÉGAUX SPÉCIFIQUES. IL SE PEUT QUE VOUS AYEZ D'AUTRES DROITS QUI VARIENT SELON L'ÉTAT OU LA PROVINCE.

### **Exclusions**

#### **Si vous avez besoin d'une réparation**

Conservez votre reçu, votre bon de livraison ou une autre preuve valide de paiement pour établir la période de la garantie dans le cas où vous devriez faire appel aux services d'un technicien autorisé. Si une réparation doit être effectuée, veuillez obtenir et conserver tous les reçus. Le service auquel vous avez recours en vertu de cette garantie doit être obtenu en communiquant avec Electrolux à l'adresse ou aux numéros de téléphone indiqués ci-dessous.

Cette garantie n'est valide qu'aux États-Unis et au Canada. Aux États-Unis, votre appareil est garanti par Electrolux Major Appliances North America, une division de Electrolux Home Products, Inc. Au Canada, votre appareil est garanti par Electrolux Canada Corp. Personne n'est autorisé à modifier ou à ajouter aux obligations contenues dans cette garantie. Les obligations de cette garantie concernant la réparation et les pièces doivent être remplies par Electrolux ou par une compagnie de réparation autorisée. Les caractéristiques et spécifications décrites ou illustrées peuvent être modifiées sans préavis.

### **ÉTATS-UNIS**

**1.866.738.1640**

Electrolux Major Appliances  
North America  
Case postale 212378  
Augusta, GA 30907, ÉTATS-UNIS



### **Canada**

**1.866.738.1640**

Electrolux Canada Corp.  
5855 Terry Fox Way  
Mississauga, Ontario, Canada  
L5V 3E4