



*Feedback from the field leads to continuous improvement of service instructions.
Please read and follow instructions carefully as they may have changed.*

**INSTRUCTIONS FOR INSTALLATION
FRESH FOOD ICE MAKER GASKETS KIT 5303918650 & WATER DEFLECTOR
FRENCH DOOR FLEX TRAY ICE MAKER**

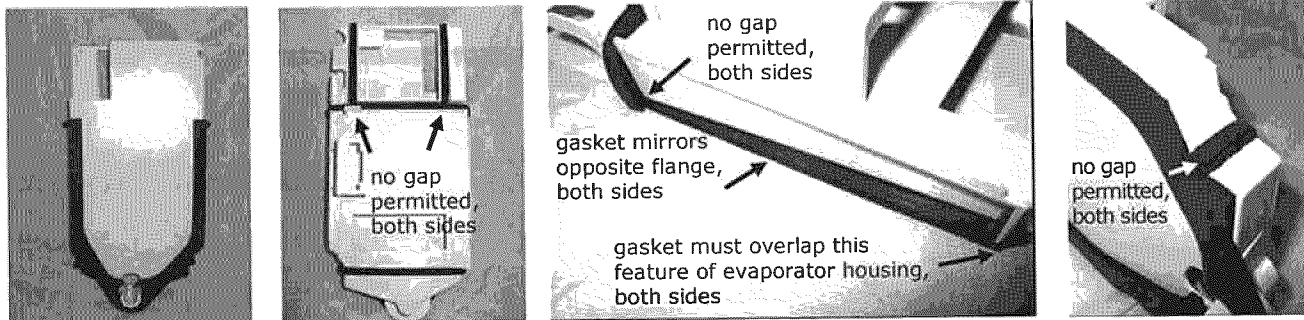
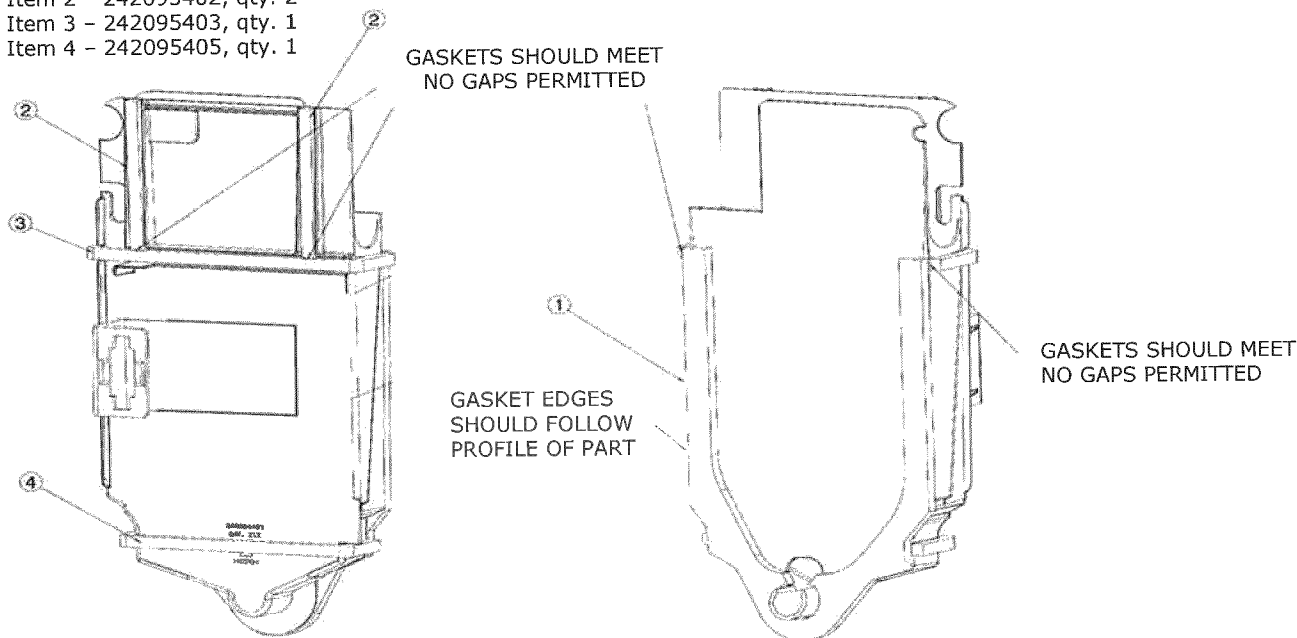
Gaskets provided in this kit are intended for use when the original gaskets inside the Fresh Food Ice Maker assembly are damaged or deformed during disassembly or repair. Whenever the ice maker housing, air handler or evaporator cover are removed or loosened, all gaskets should be inspected for damage or deformation and replaced if necessary. **NOTE: Insert foam blocks and water deflector.**

- | | | | |
|-------------------|----------------------------|----------------------------|---|
| Gaskets included: | Item 1 - 242095408, qty. 1 | Item 5 - 242095404, qty. 1 | Item 9 - 242146001, qty. 1 |
| | Item 2 - 242095402, qty. 2 | Item 6 - 242095407, qty. 1 | Item 10 - Foam Blocks 00338301, qty. 2 |
| | Item 3 - 242095403, qty. 1 | Item 7 - 242124802, qty. 1 | Item 11 - Water Deflector A01044701, qty. 1 |
| | Item 4 - 242095405, qty. 1 | Item 8 - 242124801, qty. 1 | Item 12 - Aluminum tape 218743603, qty. 1 |
| | | | Item 13 - Fan motor screws, 241953905, qty. 2 |

CAUTION: Disconnect unit from electrical power when servicing the Fresh Food Ice Maker.

EVAPORATOR COVER GASKETS

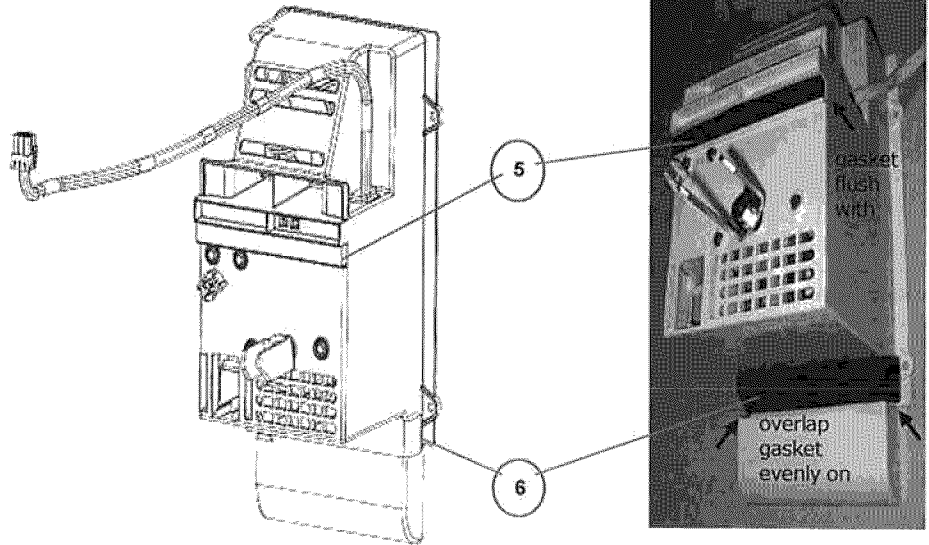
- Item 1 - 242095408, qty. 1
- Item 2 - 242095402, qty. 2
- Item 3 - 242095403, qty. 1
- Item 4 - 242095405, qty. 1



We strive to provide clear and accurate service instructions. If you found any portion of this document to be unclear or inaccurate, or if you have suggestions for improvements please let us know. Contact us at 1-888-842-3660 or suggestions@electrolux.com

AIR HANDLER GASKETS

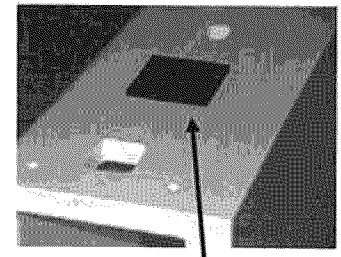
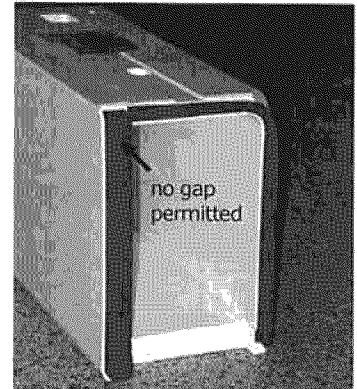
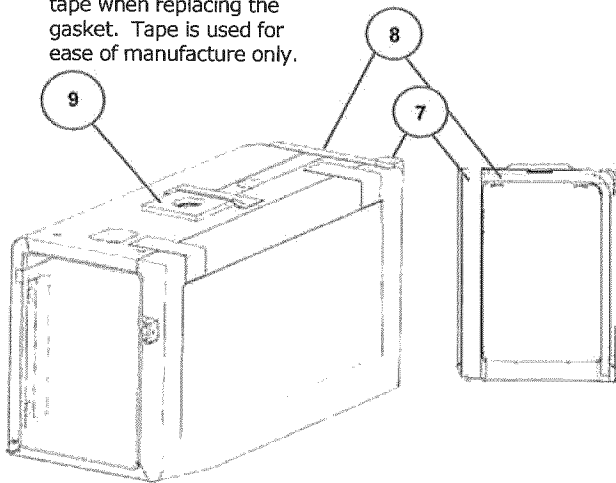
- Item 5 - 242095404, qty. 1
- Item 6 - 242095407, qty. 1



← HOUSING GASKETS

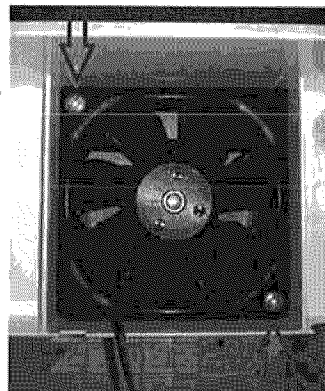
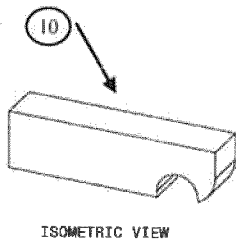
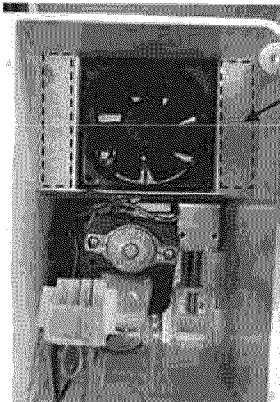
- Item 7 - 242124802, qty. 1
- Item 8 - 242124801, qty. 1
- Item 9 - 242146001, qty. 1

It is not necessary to replace tape when replacing the gasket. Tape is used for ease of manufacture only.



Item #10 - Foam Blocks

Insert Foam Blocks on each side of evaporator fan, add two screws to hold fan in place.



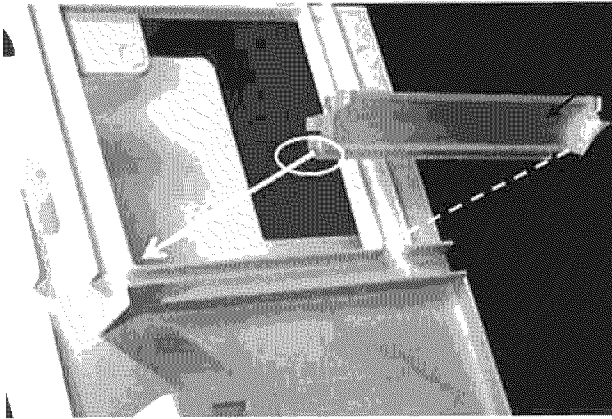
GO TO NEXT PAGE



ITEM #11 – WATER DEFLECTOR

THE PURPOSE OF ADDING THE WATER DEFLECTOR AND ALUMINUM TAPE IS TO DIRECT WATER AWAY FROM THE ICE MAKER FAN.

11 - Water Deflector

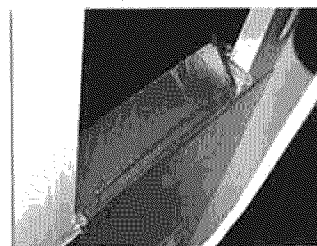
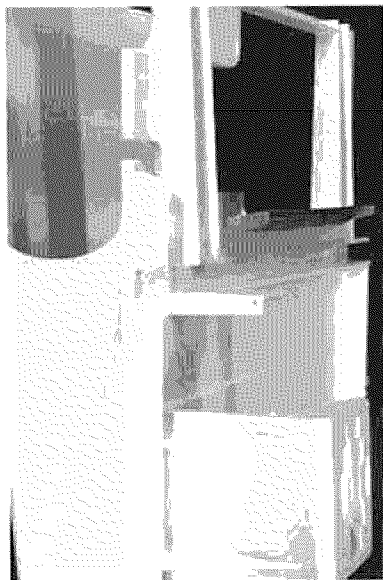


1. Insert the Deflector into the evaporator housing on the corner and push inward. The channel on the Deflector should be placed on the evaporator housing so it fits around the corner of the flange on the evaporator housing. Push the other end of the Deflector inward and snap into place.

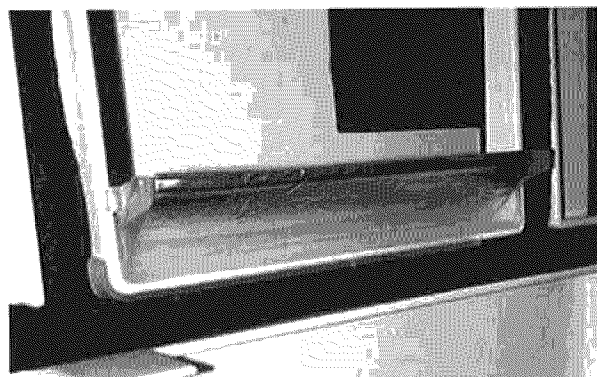
2. After the deflector is snapped in place, apply a 2" long piece (218743603) of Aluminum tape to the deflector. Put about 1/2 inch of the tape on the underside of the deflector as shown.

3. Use your fingers to wrap the remaining part of the tape over the Deflector and downward so that it adheres to the inside face of the aluminum heat shield.

Evaporator Housing



4. The Deflector and tape should look like these pictures once the tape is pressed down. The tape must be pressed tightly to the Deflector everywhere so that no portion of it can separate and touch the fan blades. The Deflector and tape must be assembled t the Evaporator Housing before the Housing is reinstalled around the Evaporator.



5. If the tabs on the Deflector are snapped properly in place and the tape is added, the Deflector will not move while the evaporator housing is being assembled to the unit.