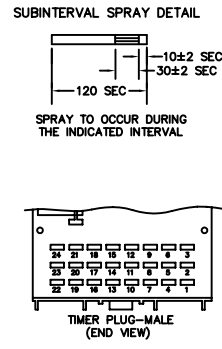
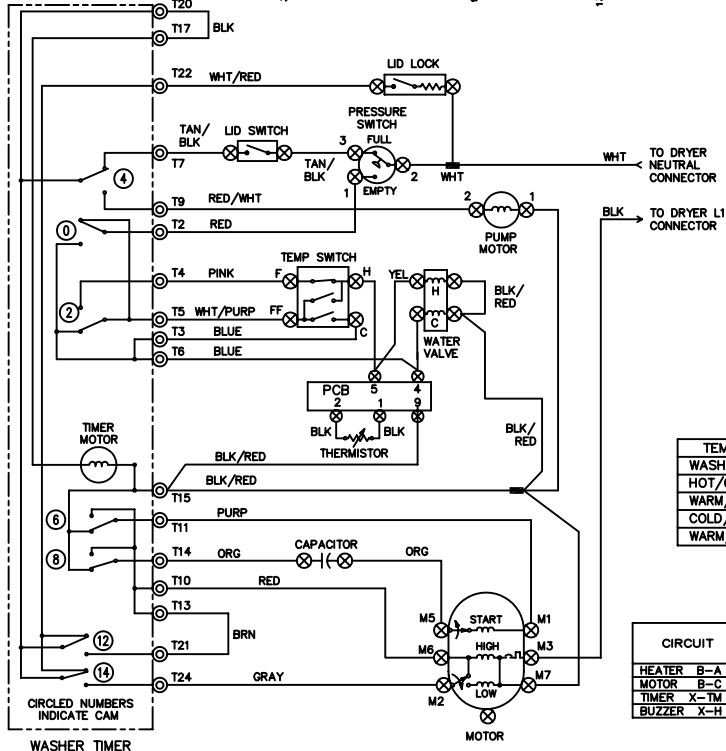


CAUTION: DISCONNECT ELECTRIC CURRENT BEFORE SERVICING

C	M	TERM	CIRCUIT	REGULAR CYCLE					PERM. PRESS CYCLE					DELICATE CYCLE					SOAK CYCLE				
				WASH (18 MIN.)	PUMP	RINSE	PUMP	OFF	WASH (12 MIN.)	PUMP	RINSE	PUMP	OFF	WASH (6 MIN.)	PUMP	RINSE	PUMP	OFF	SOAK (12 MIN.)	PUMP	PUMP	OFF	
0	2	1	T WATER TEMP.																				
		3	SI SPRAY																				
2	1	4	T WASH FILL																				
		3	B RINSE FILL																				
4	8	7	T LID SW BYPASS																				
		9	B PUMP																				
6	11	10	T SPIN DIR																				
		12	B AGITATE DIR																				
8	14	10	T AGITATE DIR																				
		12	B SPIN DIR																				
10	17	16	T ADV. SOAK-WASH																				
		18	B P.S. BYPASS																				
12	8	22	T P.S. BYPASS																				
		21	B HIGH SPEED MOTOR																				
14	8	22	T P.S. BYPASS																				
		24	B LOW SPEED MOTOR																				



WIRING CODES

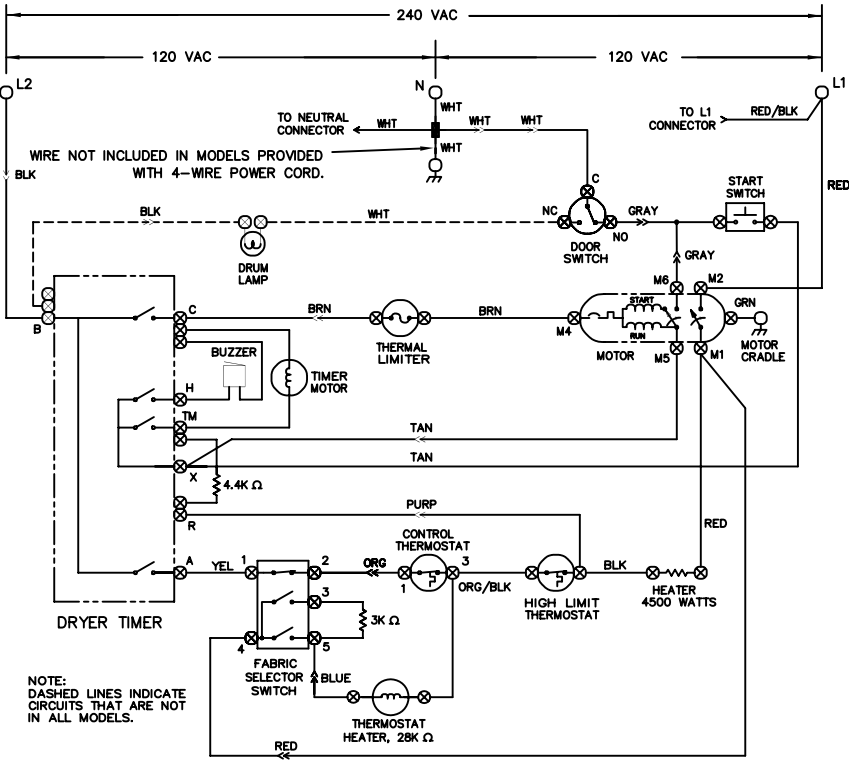
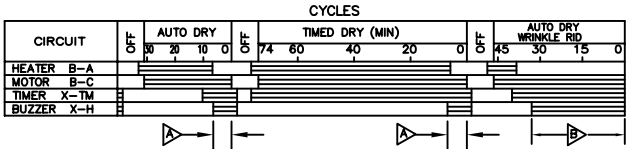
- ⊗ PLUG IN TIMER TERMINAL
- ⊙ QUICK DISCONNECT TERMINAL
- SCREW TERMINAL
- CONNECTION
- + NO CONNECTION
- ⊗ MOTOR SWITCH
- ⊕ SPLICE
- ⊖ MOTOR PROTECTOR
- ⊕ CHASSIS (CABINET) GROUND
- ⊗ HARNESS CONNECTOR TERMINAL
- ⊖ INSULATED TERMINAL

TEMPERATURE SWITCH CIRCUIT

	F-H	FF-H	FF-C
WASH/RINSE	X	O	O
HOT/COLD	X	O	O
WARM/WARM (OPT)	O	X	X
COLD/COLD	O	O	X
WARM/COLD	X	O	X

X=CLOSED O=OPEN

- NOTES:**
- ALL WIRING MUST CONFORM TO LOCAL ELECTRICAL CODES.
 - CONNECT DRYER TO 30 AMP INDIVIDUAL BRANCH CIRCUIT.
 - DRYER TIMER SHOWN IN OFF POSITION. DOOR SWITCH CLOSED, MOTOR AT REST, AN THERMOSTAT CLOSED, AND FABRIC SELECTOR SWITCH AT HIGH HEAT.
- WASHER TIMER SHOWN IN ON POSITION. TEMPERATURE SELECTOR SWITCH AT HOT WASH/COLD RINSE, AND PRESSURE SWITCH FULL.



THE BAR CHART ABOVE REPRESENTS ONE COMPLETE REVOLUTION OF TIMER SHAFT.

SHADED PORTION OF BAR CHART INDICATES THE PROPORTIONAL TIMES THAT INTERNAL TIMER CONTACTS ARE CLOSED.

A PULSER CAM, LOCATED NEXT TO THE BUZZER CAM AND ROTATING AT 12 REVOLUTIONS PER HOUR, ALLOWS CIRCUIT "X-H" TO CLOSE FOR 5 SECONDS (±3 SECONDS)

△ 1 OR 2 TIMES IN THIS AREA
 ▢ 6 TO 8 TIMES IN THIS AREA

FABRIC SELECTOR SWITCH

POSITION	1-2	3-4	4-5
NO HEAT	O	O	O
LOW HEAT	X	O	X
MEDIUM HEAT	X	X	O
HIGH HEAT	X	O	O

X=CLOSED O= OPEN

NOTE: DASHED LINES INDICATE CIRCUITS THAT ARE NOT IN ALL MODELS.