



UK-KIT-3S Icemaker Accessory Kit

Safety Information 2

Operating Instructions

How The Icemaker Works 3
How To Use Your Icemaker ... 3

Troubleshooting Tips

Before You Call For Service . . 4, 5

Installation Instructions

Before You Begin 6, 7
Installing The Icemaker 8, 9
Water Line Installation ... 11-13
Water Valve Installation 10

Consumer Support

Consumer Support ..Back Cover
Warranty 15

**Owner's Manual and
Installation Instructions**

UK-Kit-3S
Model UK-KIT-3S for
22' refrigerators with the freezer
on the bottom.



IMPORTANT SAFETY INFORMATION. READ ALL INSTRUCTIONS BEFORE USING.



SAFETY PRECAUTIONS

For Your Safety:

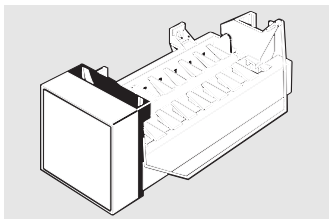
Do not place fingers or hands in the automatic icemaking mechanism while the refrigerator is plugged in. This will help protect you from possible injury.

It will also prevent interference with moving parts of the ejector mechanism and the heating element that releases the cubes, located on the bottom of the icemaker.



READ AND FOLLOW THIS SAFETY INFORMATION CAREFULLY.

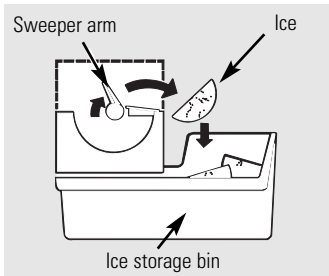
READ AND SAVE THESE INSTRUCTIONS



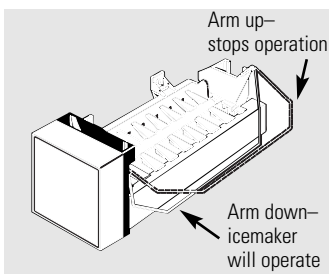
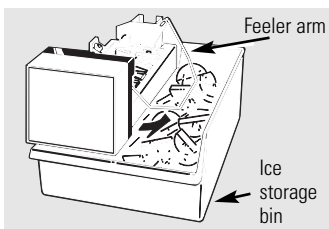
How the Icemaker Works

Water fills the empty cube mold when the freezer has cooled to freezing temperature. Cold air is forced directly over mold.

When frozen, the cubes are moved up and out of the mold. The sweeper arm ejects them into the ice storage bin below.



The feeler arm senses when the bin is full and signals the icemaker to stop ejecting more cubes. However, the mold has been refilled and cubes frozen so the new supply is ready when needed. As soon as ice is removed from the bin, the feeler arm signals that more is needed. Icemaker resumes operation by ejecting ready-and-waiting frozen cubes.



How to Use Your Icemaker

- To start the Icemaker, lower the feeler arm to the ON (down) position. Make sure the ice storage bin is below the icemaker and pushed back as far as possible.

- When the Icemaker is first connected or after any extended period of non-use, you should discard the first few batches of cubes. Use ice regularly to maintain the best quality.

- The feeler arm must be free to operate upward and outward over the top of the ice storage bin during each ice-delivery cycle. Make sure packages in the freezer compartment do not block its movement.

- Raise the feeler arm to the STOP (up) position when:

- Ice storage bin is to be removed for extended period of time.
- Refrigerator is not to be used for an extended time, such as vacations. Also, turn off the water supply to the icemaker in this instance.
- Water supply is to be shut off for several hours.

- During operation, you may hear certain sounds, such as the hum of the motor, movement of the cube ejector, humming or clicking of the water valve, and rattling of ice as it falls into the bin. These sounds are normal.

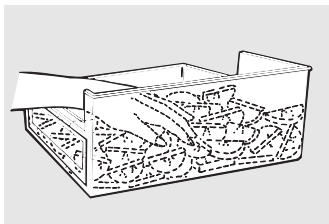
- The Icemaker ejects cubes in groups and it is normal for several cubes to be joined together.

- Ice cubes that have been in the ice storage bin for a considerable length of time may pick up off-flavor tastes, stick together and gradually become smaller. We suggest that these cubes be thrown away.

- You may, on occasion, find a few smaller than normal cubes in the bin. This is probably caused by low water pressure at time of water fill, and is no cause for concern.

- The ice storage bin should be cleaned occasionally in warm water. Rinse and wipe dry. Be sure to put the icemaker feeler arm in the STOP (up) position when cleaning the bin.

- Keep the ice level to keep it coming. If the cubes should build up in one area of the ice storage bin after being ejected from the mold, just level them out with your hand. Keep the cubes distributed evenly and the bin can reach its maximum cube capacity.



Before you call for service...



Troubleshooting Tips

Save time and money! Review the charts on the following pages first and you may not need to call for service.

Problem	Possible Causes	What To Do
Automatic icemaker does not operate	Feeler arm is in the STOP (up) position.	<ul style="list-style-type: none"> Set the icemaker feeler arm to the ON (down) position.
	Electrical power cord may not be plugged in.	<ul style="list-style-type: none"> Make sure plug from power cord fits tightly into wall outlet.
	Icemaker is not getting the necessary supply of water.	<ul style="list-style-type: none"> Make sure the water supply is connected and turned on. Check for kinks in the 1/4" water supply tubing. Remove kinks or replace tubing if there are kinks.
	Freezer compartment too warm.	<ul style="list-style-type: none"> Turn the temperature control to a cooler setting. See the controls section in your refrigerator's Owner's Manual.
Cubes are too small	Shutoff valve connecting the refrigerator to the home water line may be clogged.	<ul style="list-style-type: none"> Unclog it.
Ice cubes have odor/taste	Ice stored for an extended period may absorb odors, which affect their taste.	<ul style="list-style-type: none"> Use ice regularly. Discard old cubes.
	Ice storage bin needs to be emptied and washed.	<ul style="list-style-type: none"> Empty and wash ice storage bin.
	Food transmitting odors/taste to ice cubes.	<ul style="list-style-type: none"> Wrap foods well.
	Interior of the refrigerator needs cleaning.	<ul style="list-style-type: none"> See your refrigerator's Owner's Manual.
Icemaker is not producing ice	Water pressure is too low.	<ul style="list-style-type: none"> Low water pressure can cause valve to leak. Water pressure must be between 20 and 100 psi to function properly. A minimum pressure of 35 psi is recommended for units with water filters.
	Improper water valve installation.	<ul style="list-style-type: none"> Check water connection procedure in these Installation Instructions. Self-piercing and 3/16" saddle valves cause low water pressure and may clog the line over time.
	Icemaker wiring harness is not completely inserted in outlet.	<ul style="list-style-type: none"> Check icemaker wiring harness connection.
	Freezer section not operating at proper temperature.	<ul style="list-style-type: none"> Confirm that freezer section is operating at proper temperature. See the controls section in your refrigerator's Owner's Manual.
Icemaker is not producing enough ice or ice is deformed	Icemaker has just recently been installed or a large amount of ice has just been used.	<ul style="list-style-type: none"> Wait 24 hours for ice production to begin and for ice to restock after being emptied.
	Water pressure is too low.	<ul style="list-style-type: none"> Check house water pressure. Water pressure must be between 20 and 100 psi to function properly. A minimum pressure of 35 psi is recommended for units with water filters.

Problem	Possible Causes	What To Do
Ice cubes stick together or "shrink"	Ice not being used often enough.	<ul style="list-style-type: none"> • Empty ice cube bucket more frequently.
Ice forms in inlet tube to icemaker (on some models)	Water pressure is too low.	<ul style="list-style-type: none"> • Low water pressure can cause valve to leak. Water pressure must be between 20 and 100 psi to function properly. A minimum pressure of 35 psi is recommended for units with water filters.
	Freezer compartment is too warm.	<ul style="list-style-type: none"> • Turn the temperature control to a cooler setting. See the controls section in your refrigerator's Owner's Manual.
Unit is leaking water	Unapproved plastic tubing was used to complete water connection.	<ul style="list-style-type: none"> • Use only copper tubing or plastic tubing from a GE SmartConnect™ Refrigerator Tubing Kit. The only GE approved plastic tubing is that supplied in GE SmartConnect™ Refrigerator Tubing Kits. Do not use any other plastic water supply line because the line is under pressure at all times. Other types of plastic will crack or rupture with age and cause water damage to your home. GE is not responsible for property damage due to improper installation of water connection.
	Water pressure is too low.	<ul style="list-style-type: none"> • Check house water pressure. Water pressure must be between 20 and 100 psi to function properly. A minimum pressure of 35 psi is recommended for units with water filters.
	Improper water valve installation.	<ul style="list-style-type: none"> • Check water connection procedure in these Installation Instructions. Self-piercing and saddle valves cause low water pressure and may clog the line over time.

Installation Instructions

UK-KIT-3S Icemaker Accessory Kit

Questions? Call 800.GE.CARES (800.432.2737) or Visit our Website at: www.GEAppliances.com

BEFORE YOU BEGIN

Read these instructions completely and carefully.

- **IMPORTANT** – Save these instructions for local inspector's use.
- **IMPORTANT** – Observe all governing codes and ordinances.
- **Note to Installer** – Be sure to leave these instructions with the Consumer.
- **Note to Consumer** – Keep these instructions for future reference.
- **Skill level** – Installation of this appliance requires basic mechanical and electrical skills.
- **Completion time** – 20–60 minutes
- Proper installation is the responsibility of the installer.
- Product failure due to improper installation is not covered under the Warranty.

- **CAUTION** – For your safety, unplug the refrigerator from its electrical outlet to eliminate danger of electric shock during installation.

TOOLS AND MATERIALS YOU WILL NEED

- Blade-type screwdriver
- 1/4" hex socket and driver
- Adjustable wrench
- 1/2" open-end wrench
- 3/8" open-end wrench
- Needle nose pliers
- Masking tape
- Center punch
- Electric drill
- 1/4" drill bit
- 3/8" drill bit
- Hammer
- Small knife
- Bucket
- Towel

ADDITIONAL MATERIALS YOU WILL NEED

- Tubing, shutoff valve and fittings necessary to supply water to your refrigerator. They are not included in UK-KIT-3S.

A GE water supply kit (containing tubing, shutoff valve and fittings listed below) is available at extra cost from your dealer or from Parts and Accessories, 800.626.2002.

GE Copper Refrigerator Tubing Kits are available in the following lengths:

- 15' WX8X2
- 20' WX8X3
- 25' WX8X4

GE SmartConnect™ Refrigerator Tubing Kits are available in the following lengths:

- 2' WX08X10002
- 6' WX08X10002
- 15' WX08X10002
- 25' WX08X10002

Be sure that the kit you select allows at least 8' extra tubing to allow moving the refrigerator away from the wall.

NOTE: The only GE approved plastic tubing is that supplied in GE SmartConnect™ Refrigerator Tubing kits. Do not use any other plastic water supply line because the line is under pressure at all times. Certain types of plastic will crack or rupture with age and cause water damage to your home.

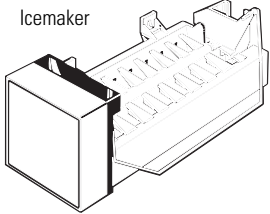
NOTE: DO NOT USE A SELF-PIERCING VALVE.

Installation Instructions

BEFORE YOU BEGIN

CONTENTS OF UK-KIT-3S

Icemaker



Stainless Steel Clip



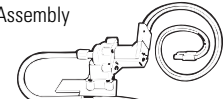
Plastic Stick-On Clamp



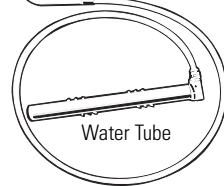
Compression Nut



Water Valve Assembly



Water Tube



Flexible Plastic Tubing

Owner's Manual & Installation Instructions

5/8" Icemaker Mounting Screws



Ferrule

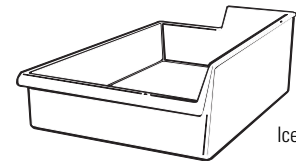


P-Clamp (used for water line tubing)



ICE MAKER
WARRANTY VERIFICATION
Date Installed _____
Dealer _____

Warranty Label



Ice Bucket

Owner's Manual, Installation Instructions and Warranty

Double Prong Plugs



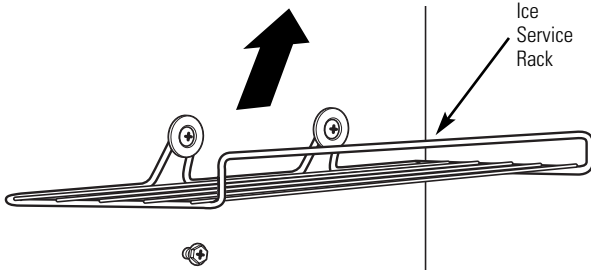
Installation Instructions

INSTALLING THE ICEMAKER

1 REMOVE THE ICE SERVICE RACK

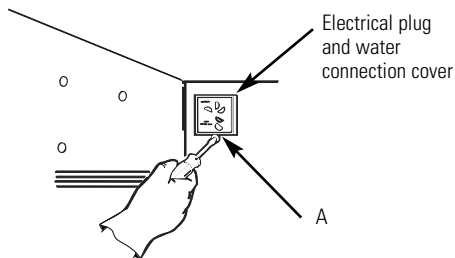
An ice service rack is mounted on knobs secured with screws in the left side of the freezer wall.

- Remove ice trays and storage bin.
- Carefully slide the ice rack up and off the mounting knobs.

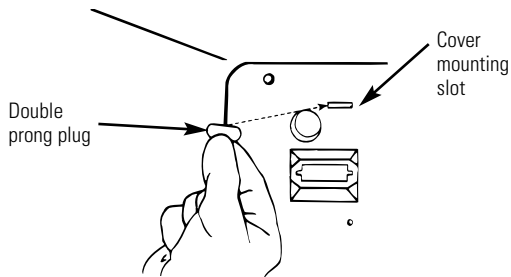


- Remove and discard the screws and knobs from the wall.

2 REMOVE ELECTRICAL PLUG AND WATER CONNECTION COVER



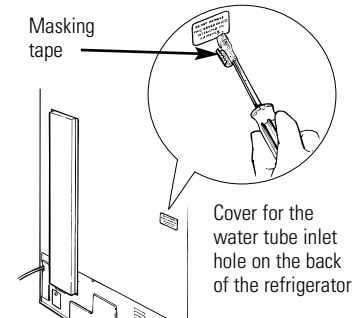
- Remove screw (A) that holds the cover in place. Discard the screw and cover.



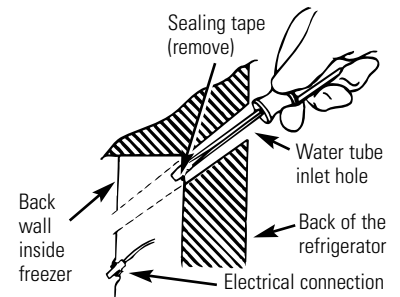
- Push in a double prong plug to seal the cover mounting slot.

3 INSTALL WATER FILL TUBE THROUGH THE BACK OF THE REFRIGERATOR

- Remove the cover for the water tube inlet hole on the back of the refrigerator near the bottom. Use a flat-blade screwdriver covered with masking tape to protect against scratching the refrigerator.

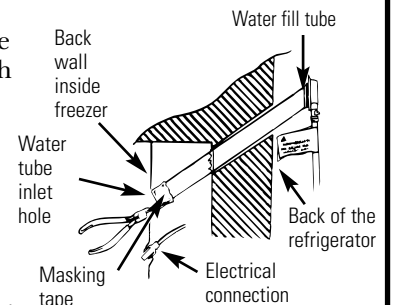


- After removing the cover, use the screwdriver to pierce the interior sealing tape that covers the hole for the water fill tube inlet. Clear a path for the water fill tube.

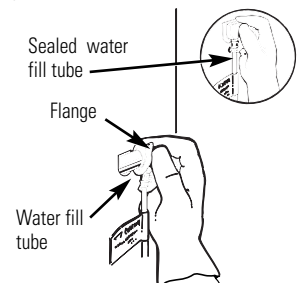


- To prevent the styrofoam insulation beads from entering the water fill tube during installation, temporarily cover the end of the tube with masking tape. Push the water fill tube through the hole.

- From the inside of the freezer, pull the water fill tube through the hole in the back wall. **Be sure to remove the masking tape from the end of the water fill tube to allow water to flow into the icemaker.**



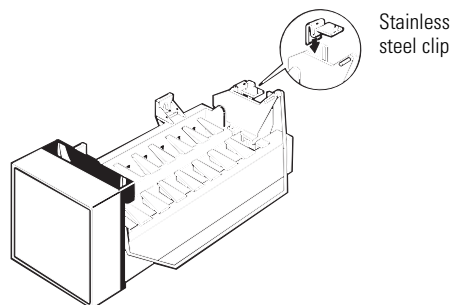
- From the outside, push gently on the water fill tube while twisting it slightly, until the flange is firmly sealed inside the hole on the back of the refrigerator. Make sure the water fill tube is completely sealed.



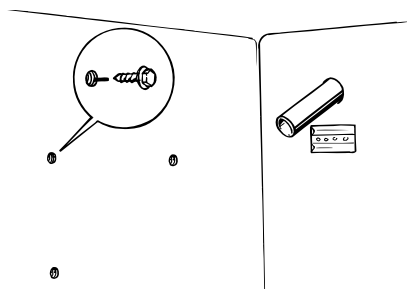
Installation Instructions

INSTALLING THE ICEMAKER

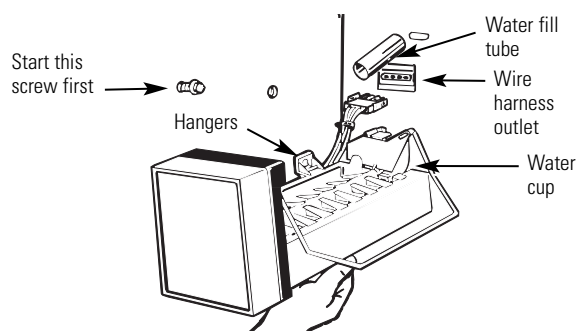
4 HANG THE ICEMAKER ON FREEZER WALL



- Slip the stainless steel clip over the wall of the water cup.

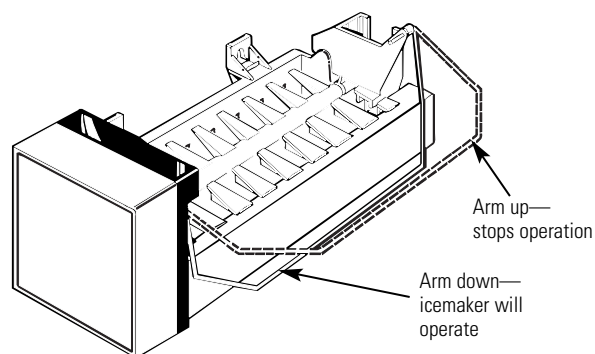


- Screw one 5/8" icemaker mounting screw in the top front hole. Leave the head out approximately 3/8" for the slot in the icemaker hanger to slip over the screw.



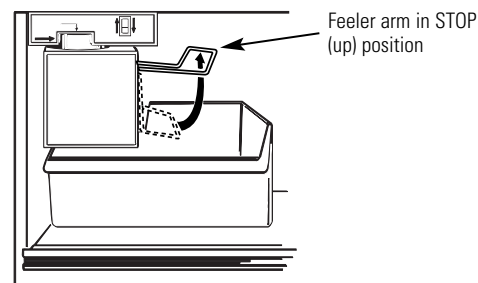
- Hold the icemaker in position inside the freezer. Insert the wire harness plug into the outlet using a rocking motion, until the locking fingers on the sides of the plug snap into place. The plug fits only one way.
- Slip the icemaker hanger over the mounting screw, while easing the icemaker water cup toward the end of the water fill tube. The water fill tube fits under the stainless steel clip on the water cup. **The water fill tube must not be kinked. It should extend approximately 1/2" into the water cup and must not become easily dislodged.**
- Screw in the two remaining icemaker mounting screws. **Tighten all three screws.**

5 LIFT THE ICEMAKER FEELER ARM TO THE STOP (UP) POSITION.



The icemaker should feel secure when you lift the arm. Leave the feeler arm in the STOP (up) position until the refrigerator is connected to the water supply to prevent it from operating before the water supply connection is complete.

6 PLACE ICE STORAGE BIN ON FREEZER SHELF.



Move the ice storage bin into place directly under the icemaker.

NOTE: Check again to make sure the icemaker power cord is fully inserted into its outlet.

Check again to make sure the icemaker feeler arm is in the STOP (up) position.

7 APPLY WARRANTY LABEL TO BACK OF REFRIGERATOR.

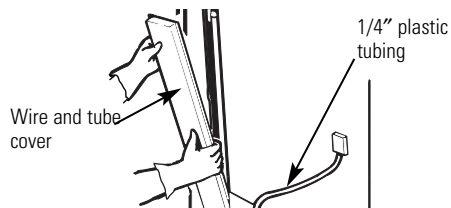
A label is provided in the kit. On it record the date of the installation for warranty purposes.

The icemaker installation is now complete. Refer to the following instructions for connecting the icemaker to the home water supply.

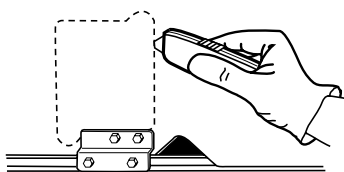
Installation Instructions

WATER VALVE INSTALLATION INSTRUCTIONS

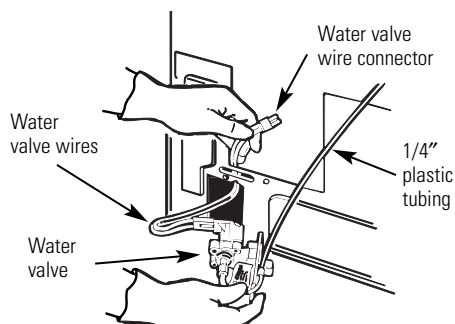
INSTALL THE WATER VALVE



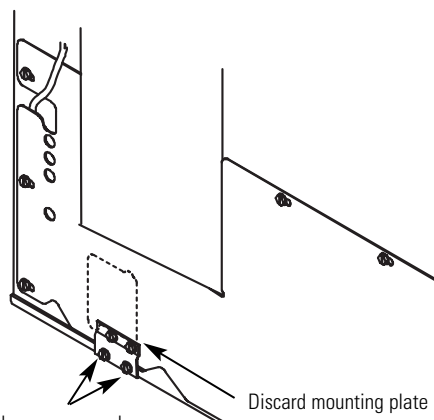
- Remove and save the 4 hex screws and the vertical wire and tube cover from the back of the refrigerator.



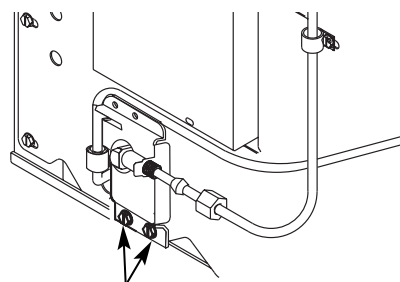
- To access the water valve, cut along the outline in the fiberboard cover using a utility knife. Remove the fiberboard.



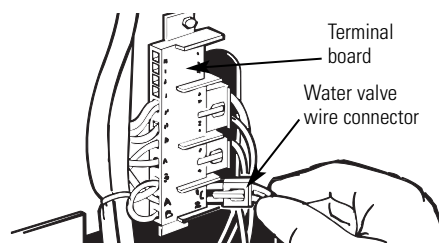
- Thread the water valve wires through the rectangular opening, taking care not to bend any existing tubes.



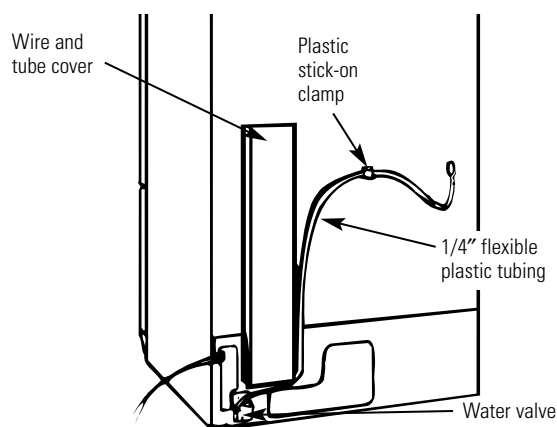
- Use a 1/4" hex nut driver to remove the two lower screws from the valve mounting plate and discard the mounting plate.



- Attach the water valve to the lower rail using the hex screws removed from the mounting plate. This will assure that the water valve is electrically grounded.



- Plug the water valve wire connector into the terminal board at the points on the bottom right position, marked "1" and "2" across from "A" and "B."
- Re-install the vertical wire and tube cover. To avoid pinching wires, carefully tuck the wires inside the cover. Secure the cover by reusing all the original screws.



- Secure the 1/4 inch flexible plastic tubing to the rear wall of the refrigerator cabinet using the plastic stick-on clamp.

NOTE: The P-clamp is used to secure the 1/4 inch flexible tubing at the back horizontal cover, using the existing cover screw. (See Water Line Installation Instructions.)

Installation Instructions

WATER LINE INSTALLATION INSTRUCTIONS

If you use your refrigerator before connecting the water line, make sure the icemaker feeler arm is kept in the STOP (up) position.

- **CAUTION** – When using any electrical device (such as a power drill) during installation, be sure the device is insulated or wired in a manner to prevent the hazard of electric shock.
- All installations must be in accordance with local plumbing code requirements.

WARRANTY INFORMATION

This water line installation is not warranted by the refrigerator or icemaker manufacturer. Follow these instructions carefully to minimize the risk of expensive water damage.

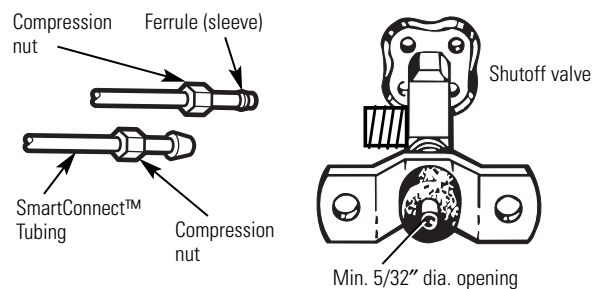
WHAT YOU WILL NEED

A cold water supply is required for automatic icemaker operation. Water pressure must be between 20 and 120 psi.

Copper or GE SmartConnect™ Refrigerator Tubing, 1/4" O.D., should be used to connect the refrigerator to the water supply.

NOTE: The only GE approved plastic tubing is that supplied in GE SmartConnect™ Refrigerator Tubing kits. Do not use any other plastic water supply line because the line is under pressure at all times. Certain types of plastic will crack or rupture with age and cause water damage to your home.

A shutoff valve should be connected to the cold water line. The shutoff valve should have a water inlet with a minimum inside diameter of 5/32" at the point of connection to the COLD WATER LINE. A saddle-type shutoff valve permitted by many local plumbing codes is shown below.



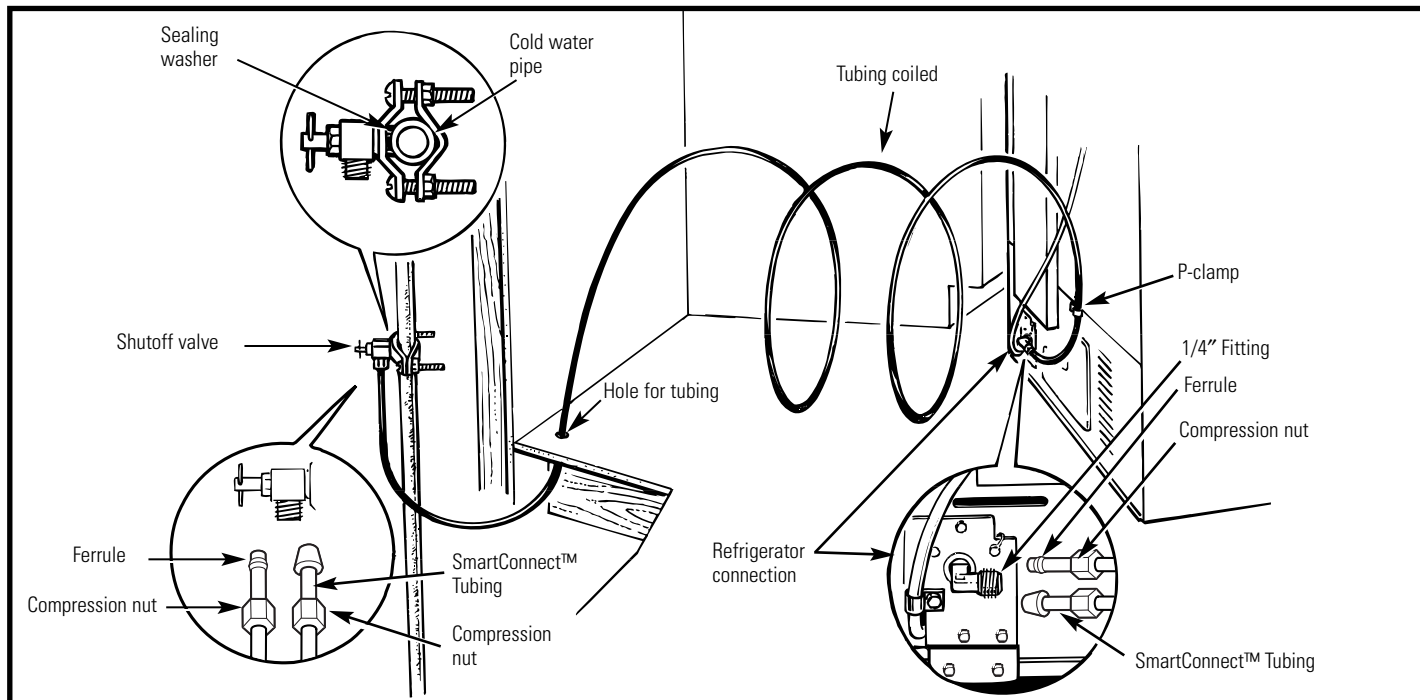
Check your local plumbing codes before choosing this type of valve. We recommend using the saddle valve supplied with GE Water Supply Kits WX8X2, WX8X3 and WX8X4. **NOTE: DO NOT USE A SELF-PIERCING VALVE.**

Installation Instructions

WATER LINE INSTALLATION INSTRUCTIONS

TYPICAL PLUMBING INSTALLATION

WITH WATER SUPPLY KITS WX8X2, WX8X3 and WX8X4



1 SHUT OFF MAIN WATER SUPPLY

- Open the closest cold water faucet to clear water from the line.

2 INSTALL SHUTOFF VALVE ON NEAREST COLD FREQUENTLY USED DRINKING WATER LINE

- Choose a location for the valve that is easily accessible. It is best to connect into the side of a vertical water pipe. When it is necessary to connect into a horizontal water pipe, make the connection to the top or side, rather than at the bottom, to avoid drawing off any sediment from the water pipe.
- Drill a 1/4" hole in one wall of the water pipe, using a sharp bit. Remove any burrs resulting from drilling the hole in the pipe.
- Tighten the clamp screws until the sealing washer begins to swell.

3 ROUTE WATER SUPPLY TUBING BETWEEN COLD WATER LINE AND REFRIGERATOR

- Route tubing where the temperature remains above 35°F.
- Then route the tubing through a hole drilled in the floor (behind the refrigerator or adjacent base cabinet) as close to the wall as possible. Be sure there is sufficient extra tubing (about 8 feet coiled into 3 turns of about 10 inches diameter) to allow the refrigerator to move out from the wall after installation.

4 CONNECT WATER SUPPLY TUBING TO SHUTOFF VALVE

If using copper tubing, place the compression nut and ferrule onto the end of the tubing and connect to the shutoff valve. Make sure the tubing is fully inserted into the valve. Tighten the compression nut securely, then pull on the tube to check for a secure connection. **DO NOT OVERTIGHTEN.**

For plastic tubing from a GE SmartConnect™ Refrigerator Tubing Kit, insert the molded end of the tubing into the shutoff valve and tighten compression nut until it is hand tight, then tighten one additional turn with a wrench. Overtightening may cause leaks.

Installation Instructions

WATER LINE INSTALLATION INSTRUCTIONS

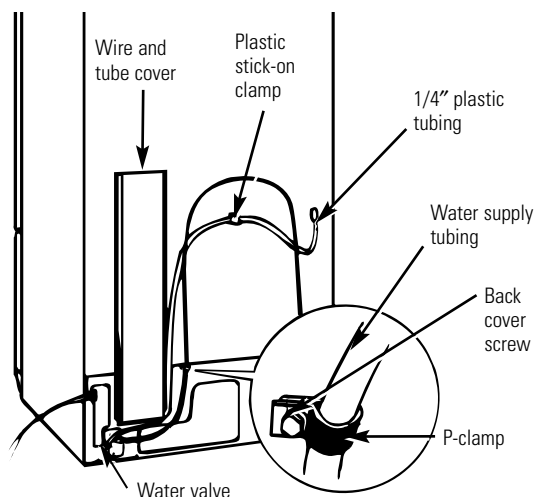
5 CONNECT WATER SUPPLY TUBING TO REFRIGERATOR

Before making connection to the refrigerator, be sure refrigerator power cord is not plugged into wall outlet.

- Turn water on and flush out the tubing, making certain that all foreign matter is removed from the line.
- Shut the water off after about 1 quart of water has been flushed through the tubing.

NOTE: Some localities may have sand or other foreign matter present in the water supply in such quantities that they may, in time, collect in the screen of the water valve attached to the back of the refrigerator and tend to reduce the water flow to the icemaker. Where such conditions exist, we recommend that an additional filter or strainer be installed in the line near the refrigerator. If a screen type strainer is used, it should be 80 mesh or finer.

- Remove the plastic cap from the water valve and plastic tube assembly.
- **If using copper tubing**, cut off the flared end of the copper tubing and remove the flare nut from the tubing. Place the 1/4" compression nut and ferrule onto the end of the copper tubing as shown on page 12. Insert the end of the water supply tubing into the water valve as far as possible. While holding the tubing, tighten the fitting, then pull on the tube to check for a secure connection. **DO NOT OVERTIGHTEN.**
- **If using plastic tubing from a GE SmartConnect™ Refrigerator Tubing Kit**, insert the molded end of the tubing into the refrigerator connection and tighten the compression nut until it is hand tight, then tighten one additional turn with a wrench. Overtightening may cause leaks.



- Secure the 1/4 inch flexible water supply tubing with the P-clamp at the back horizontal cover, using the existing cover screw.

6 TURN ON WATER AND CHECK ALL JOINTS FOR LEAKS

Tighten fittings if required to stop leaks.

7 PLUG REFRIGERATOR POWER CORD INTO APPROPRIATE ELECTRICAL OUTLET

8 SET THE ICEMAKER FEELER ARM TO THE ON (DOWN) POSITION

The icemaker will not begin to operate until it reaches its operating temperature of 15°F. or below. It will then begin operation automatically.

9 MOVE THE REFRIGERATOR BACK TO THE WALL

Arrange the coil of copper tubing so that it does not vibrate against the back of the refrigerator or against the wall. Make sure the water supply tubing does not get kinked.

NOTE: The first few batches of cubes should be thrown away, so that remaining impurities in the water line will be flushed out.

Notes.

Icemaker Warranty.



All warranty service provided by our Factory Service Centers, or an authorized Customer Care® technician. To schedule service, on-line, 24 hours a day, visit us at www.GEAppliances.com, or call 800.GE.CARES (800.432.2737).

Staple your receipt here.
Proof of the original purchase date is needed to obtain service under the warranty.

For The Period Of: GE Will Replace:

One Year

From the date of the original purchase

Any part of the icemaker which fails due to a defect in material or workmanship. During this **full one-year warranty**, GE will also provide, **free of charge**, all labor and in-home service to replace the defective part.

What GE Will Not Cover:

- Service trips to your home to teach you how to use the product.
- Improper installation.
You are responsible for providing adequate electrical, plumbing and other connecting facilities, including the water line to the icemaker and the water line installation.
- Failure of the product if it is abused, misused, or used for other than the intended purpose or used commercially.
- Replacement of house fuses or resetting of circuit breakers.
- Damage to the product caused by accident, fire, floods or acts of God.
- Incidental or consequential damage caused by possible defects with this appliance.

This warranty is extended to the original purchaser and any succeeding owner for products purchased for home use within the USA. In Alaska, the warranty excludes the cost of shipping or service calls to your home.

Some states do not allow the exclusion or limitation of incidental or consequential damages. This warranty gives you specific legal rights, and you may also have other rights which vary from state to state. To know what your legal rights are, consult your local or state consumer affairs office or your state's Attorney General.

Warrantor: General Electric Company. Louisville, KY 40225

Consumer Support.



GE Appliances Website

www.GEAppliances.com

Have a question or need assistance with your appliance? Try the GE Appliances Website 24 hours a day, any day of the year! For greater convenience and faster service, you can now download Owner's Manuals, order parts, catalogs, or even schedule service on-line. You can also "Ask Our Team of Experts™," your questions, and so much more...



Schedule Service

www.GEAppliances.com

Expert GE repair service is only one step away from your door. Get on-line and schedule your service at your convenience 24 hours any day of the year! Or call 800.GE.CARES (800.432.2737) during normal business hours.



Real Life Design Studio

www.GEAppliances.com

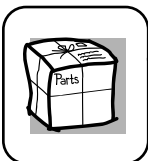
GE supports the Universal Design concept—products, services and environments that can be used by people of all ages, sizes and capabilities. We recognize the need to design for a wide range of physical and mental abilities and impairments. For details of GE's Universal Design applications, including kitchen design ideas for people with disabilities, check out our Website today. For the hearing impaired, please call 800.TDD.GEAC (800.833.4322).



Extended Warranties

www.GEAppliances.com

Purchase a GE extended warranty and learn about special discounts that are available while your warranty is still in effect. You can purchase it on-line anytime, or call 800.626.2224 during normal business hours. GE Consumer Home Services will still be there after your warranty expires.



Parts and Accessories

www.GEAppliances.com

Individuals qualified to service their own appliances can have parts or accessories sent directly to their homes (VISA, MasterCard and Discover cards are accepted). Order on-line today, 24 hours every day or by phone at 800.626.2002 during normal business hours.

Instructions contained in this manual cover procedures to be performed by any user. Other servicing generally should be referred to qualified service personnel. Caution must be exercised, since improper servicing may cause unsafe operation.



Contact Us

www.GEAppliances.com

If you are not satisfied with the service you receive from GE, contact us on our Website with all the details including your phone number, or write to: General Manager, Customer Relations
GE Appliances, Appliance Park
Louisville, KY 40225



Register Your Appliance

www.GEAppliances.com

Register your new appliance on-line—at your convenience! Timely product registration will allow for enhanced communication and prompt service under the terms of your warranty, should the need arise. You may also mail in the pre-printed registration card included in the packing material, or detach and use the form in this Owner's Manual.