

**INSTALLER: LEAVE THESE INSTRUCTIONS WITH THE HOMEOWNER.
HOMEOWNER: RETAIN THESE INSTRUCTIONS FOR FUTURE REFERENCE.**

Wiring Diagrams are included in this package.



INSTALLATION INSTRUCTIONS

FOR FREESTANDING 36" GAS RANGE

Before you begin, read the following instructions completely and carefully. If followed, they will simplify the installation job.

IMPORTANT: OBSERVE ALL GOVERNING CODES AND ORDINANCES.

FOR YOUR SAFETY... IF YOU SMELL GAS:

- 1. OPEN WINDOWS.**
- 2. DON'T TOUCH ELECTRICAL SWITCHES.**
- 3. EXTINGUISH ANY OPEN FLAME.**
- 4. IMMEDIATELY CALL YOUR GAS SUPPLIER.**

**FOR YOUR SAFETY
DO NOT STORE OR USE GASOLINE OR OTHER FLAMMABLE VAPORS AND LIQUIDS IN THE VICINITY OF THIS OR ANY OTHER APPLIANCE.**

INSTALLATION REQUIREMENTS

This installation must conform with the American National Standard, National Fuel Gas Code ANSI Z223.1-1980 * and local codes and ordinances.

MOBILE HOME INSTALLATION REQUIREMENTS ARE LISTED BELOW ON PAGE 4.

Input ratings shown on the rating plate (serial tag) are for elevations up to 2,000 feet. For elevations above 2,000 feet, ratings should be reduced at a rate of 4% for each 1,000 feet above sea level.

PROPER GAS SUPPLY

1. This range is manufactured for use with NATURAL GAS. It can be converted for use on LP GAS. The rating plate located under the main top has the information on the type of gas this range can be used with. When in doubt check with your local gas supplier.
2. Provide a gas supply line to the range location. We suggest using a 3/4" rigid pipe, as smaller size pipe on long runs may result in the gas supply not being sufficient. Pipe joint compounds resistant to the action of LP gas must be used.
3. The supply line should be equipped with a shutoff valve. This valve should always be located in the same room as the range and should be in a location that allows ease of opening and closing. Do not block access to the shutoff valve.
4. If local codes permit, it is recommended that flexible metal tubing design-certified by the American Gas Association, be used for connecting the appliance to the gas supply line. (The gas valve connection will accept a 3/4" male pipe thread.)
5. If rigid pipe is used as a gas supply line, a combination of pipe fittings must be used to obtain an in-line connection to the range.
6. The gas pressure regulator on this model is convertible and must be used. This regulator can be used on either NATURAL or LP gases. The pressure regulator has fixed outlet pressure at NATURAL and LP settings and these cannot be changed. The fixed outlet pressure on NATURAL gas setting is 4 inches W.C. On the LP gas setting the outlet pressure is 10 inches W.C.

* Copies of the standard listed above may be obtained from:

AMERICAN GAS ASSOCIATION
1515 Wilson Boulevard
Arlington, Virginia 22209

INLET PRESSURE

The inlet pressure to the regulator should be as follows for both operation and checking regulator setting:

NATURAL GAS:

Minimum pressure 5 inches W.C.
Maximum pressure 14 inches W.C.

LP GAS:

Minimum pressure 11 inches W.C.
Maximum pressure 14 inches W.C.

LINE PRESSURE TESTING

a. Testing ABOVE 1/2 Pound Per Square Inch (Gauge)

The appliance and its individual shutoff valve must be disconnected from the gas supply piping system during any pressure testing of that system at test pressures in excess of 1/2 psig.

b. Testing AT 1/2 Pound Per Square Inch (Gauge) OR LOWER

The appliance must be isolated from the gas supply piping system by closing its individual manual shutoff valve during pressure testing of the gas supply piping system at test pressure equal to or less than 1/2 psig.

To convert from NATURAL to LP gas.

- Change pressure regulator setting from NAT to LP (See To Convert Pressure Regulator.)
- Screw the burner orifices hoods down tight against the orifice pins. DO NOT OVER TORQUE.
- Remove the oven control knob and turn the select-a-gas screw to the LP position. This screw is located on the oven control (thermostat). The mid position turns the oven pilot off.
- Top burner pilots (for models with pilot ignition only) adjust top burner pilot to be approximately 1/4-inch high. This adjustment is on the oven control on some models and on the manifold pipe on some models.
- Adjust the burner air shutter to the widest opening that will not cause the flame to lift or blow off of the burner.

To convert the pressure regulator. Note: The type of gas for which the regulator is set is stamped on the aluminum plug on the top of the regulator (either NAT or LP).

To change the regulator setting:

Remove the aluminum hex nut (plug) with a wrench or coin. Turn the hex nut or plug over and screw it back into the regulator. Caution: Do not over tighten.

If the range is to be used on NATURAL gas, NAT should be visible on the regulator plug. If the range is to be used on LP gas, LP should be visible on the regulator plug.

OBSERVE ALL GOVERNING CODES AND ORDINANCES

ELECTRICAL REQUIREMENTS

A 115 Volt, 60 Hz, AC only, 15 Ampere fused electrical supply is required (time delay fuse or circuit breaker is recommended). It is recommended that a separate circuit serving only this appliance be provided. DO NOT use an extension cord.

RECOMMENDED GROUNDING METHOD

Electrical ground is required on this appliance.

DO NOT, UNDER ANY CIRCUMSTANCES, CUT OR REMOVE THE POWER SUPPLY CORD GROUND PRONG.

For your personal safety, this appliance must be grounded. This appliance is equipped with a power supply supply cord have a 3-prong grounding plug. To minimize possible shock hazard, the cord must be plugged into a mating 3-prong grounding type wall receptacle, grounded in accordance with the National Electrical Code, ANSI/NFPA NO. 70-1981** and local codes and ordinances. If a mating wall receptacle is not available, it is the personal responsibility and obligation of the customer to have a properly grounded 3-prong wall receptacle installed by a qualified electrician. See Figure 1.

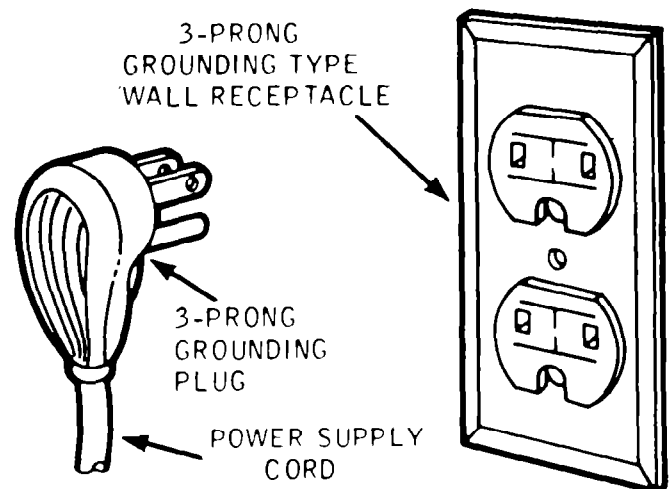


FIGURE 1

** Copies of the standard listed above may be obtained from:

NATIONAL FIRE PROTECTION ASSOCIATION
470 Atlantic Avenue
Boston, Massachusetts 02210

SPACE REQUIREMENTS

1. The back and sides of this range may be installed with zero clearance. Vertical walls extending above the cook top must have a horizontal clearance of 5 inches from the side edges of the cook top.
2. Overhead cabinets should be a maximum of 13 inches deep.
3. There should be a minimum of 30 inches between the cook top and any overhead cabinet or shelf.
4. Refer to Figure 2 for the size of the cabinet opening needed and the location of the gas and electrical supply.

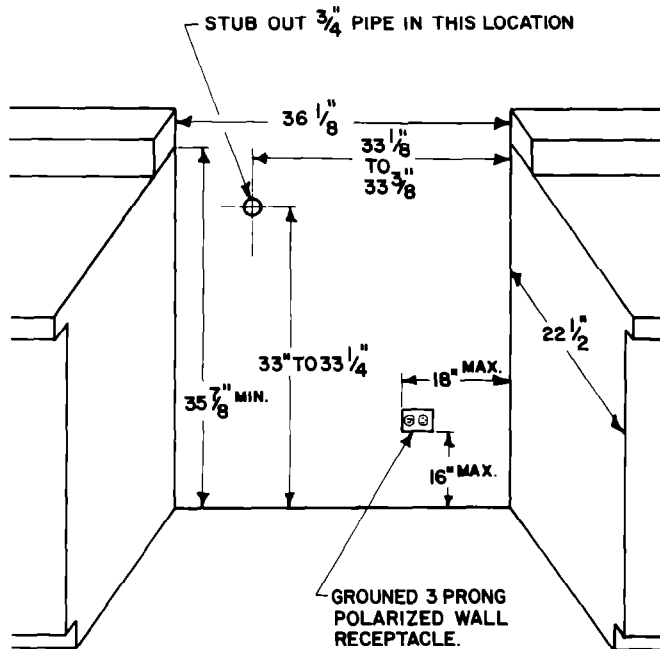


FIGURE 2

REMOVE SHIPPING SKID AND REMOVE PACKING MATERIAL

Using the 4 carton corner posts (stack 2 high) to protect the finish of the range, lay the range on its back. Remove the four shipping skid bolts. Next back out the four leveling legs about half way. (The leveling legs are shipped installed in the base of the range). Discard the skid and shipping bolts.

Stand the range upright.

Remove all packing material tape and protective film on some chrome plated or stainless steel parts before the range is installed. Be sure to remove shipping screws from surface burners (See Use & Care Guide).

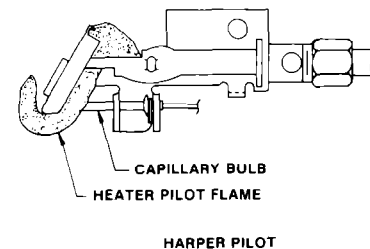
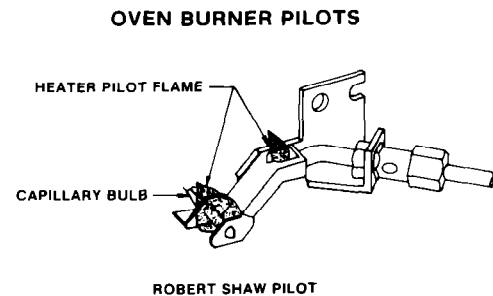
INSTALLATION PROCEDURE

1. Install the backguard.
NOTE: The backguard pack contains separate instructions for installing the backguard.
2. Move the range to its approximate operating position.
3. Connect the gas supply line.
4. Plug the range power supply cord into the grounded wall receptacle.
5. Check for gas leaks with soapy water.

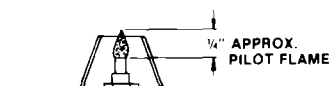
When the range is connected and all gas valves have been closed, turn on main supply, but before lighting the oven or putting it to use, test all supply line connections and unit itself for leaks. This unit has been factory tested for leaks, but sometimes connections work loose in transit. **NEVER TEST FOR FOR LEAKS WITH A LIGHTED MATCH OR OTHER FLAME.** Apply a thin solution of soapy water, if any leaks are present, bubbles will form at the point of leakage. If a leak is discovered it must be stopped before the unit is put into operation. After checking for leaks, wipe the soap solution off of the components. Joint compounds used must be resistant to the action of liquified petroleum gases. Any opening in the wall or floor, behind or under the range must be sealed.

GAS ADJUSTMENTS

When range is installed, adjust the top burner pilots to 1/4-inch in height. Refer to Use and Care Guide to light top pilots, and oven pilots and for correctly adjusted oven burner flames. Correctly adjusted oven pilot flames and top burner pilot flames are shown below:



SURFACE BURNER PILOT



Adjust the burner air shutters to the widest opening that will not cause the flame to lift or blow off of the burner.

SURFACE BURNER OPERATION FOR ELECTRIC IGNITION MODELS ONLY

1. Push in and turn knob counterclockwise to the "start" position.
2. When the burner lights, turn the knob clockwise to the desired setting. **Do not leave the knob in the maximum counterclockwise position once the burner lights.**
3. If the flame should go out during the cooking operation, turn burner off. If gas has accumulated and a strong odor is detected, wait five minutes for odor to disappear. To relight burners repeat steps 1 and 2 above.

WARNING:

Due to safety considerations the following precautions should be observed:

1. The top burner flame size should be adjusted so that it does not extend beyond the edge of the cooking utensil.
2. Storage in the cabinets above the range can be potentially hazardous due to heat and to the fact that children might climb on the range to reach cabinets.
3. Do not use the range burners or the oven for space heating.
4. Do not use the oven for storage space.

WIRING DIAGRAM LOCATION

Wiring diagrams are located on the back of the range and with these instructions please examine before attempting service work.

INSTRUCTIONS FOR DISCONNECTING POWER SUPPLY:

1. REMOVE BURNER GRATES AND RAISE MAIN TOP.
2. THE DISCONNECT IS LOCATED BEHIND RIGHT REAR BURNER. REACH UNDER TOP AND GRASP THE RECTANGULAR PLUG AT THE BOTTOM OF THE WIRE SHEATH AND PULL UP WITH A SIDE TO SIDE MOTION.

FOR INSTALLATION IN MOBILE HOME

If range is installed in a mobile home the installation must conform with the Federal Standard for Mobile Home Construction and Safety, Title 24, HUD (Part 280) or, when such standard is not applicable, with local codes.

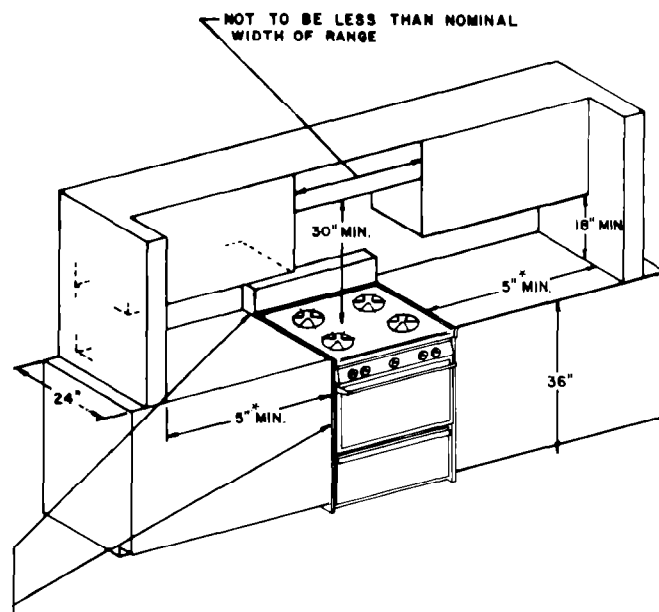
TO INSTALL:

1. Remove range leveling legs.
2. Secure to floor with screws through leveling leg holes

TO RECONVERT RANGE FROM LP TO NAT. GAS

- a. Change pressure regulator setting from LP to NAT. (See To Convert Pressure Regulator).
- b. Screw the burner orifice hoods away from the orifice pins.
- c. Remove the oven control knob and turn the select-a-gas screw to NAT. position. This screw is located on the oven control (thermostat). The mid position turns the oven pilot off.
- d. Top burner pilots (for models with pilot ignition only) adjust top burner pilot to be approximately 1/4-inch high. This adjustment is on the oven control on some models and on the manifold pipe on some models.
- e. Adjust the burner air shutters to the widest opening that will not cause the flame to lift or blow off of the burner.


TYPICAL INSTALLATION



MAY BE INSTALLED WITH ZERO CLEARANCE SIDES AND BACK


MAXIMUM DEPTH OF OVERHEAD CABINETS IS 13"

* THESE DIMENSIONS ARE NOT PROPORTIONAL TO DRAWING



In the event your WHIRLPOOL appliance should need service, call the dealer from whom you purchased the appliance or a WHIRLPOOL franchised TECH-CARE* service company. He is in the Yellow Pages of your telephone directory listed under "Appliance - Household - Major - service and repair." You can also obtain his name and number by dialing, free, within the continental United States (except Alaska) the Whirlpool COOL-LINE* Service (800) 253-1301. When calling from Michigan, dial (800) 632-2243. From Alaska or Hawaii, dial (800) 253-1121. Dial just as you normally dial long distance. A special operator will tell you the name and number of your nearest Whirlpool TECH-CARE service outlet. During normal working hours, Whirlpool consultants at this same number will also answer any questions about operating or maintaining your appliance which are not covered in your Use and Care Guide.

Learn the benefits of using TECH-CARE service for maintaining the quality originally built into your WHIRLPOOL appliance.



WHIRLPOOL CORPORATION BENTON HARBOR, MICHIGAN 49022