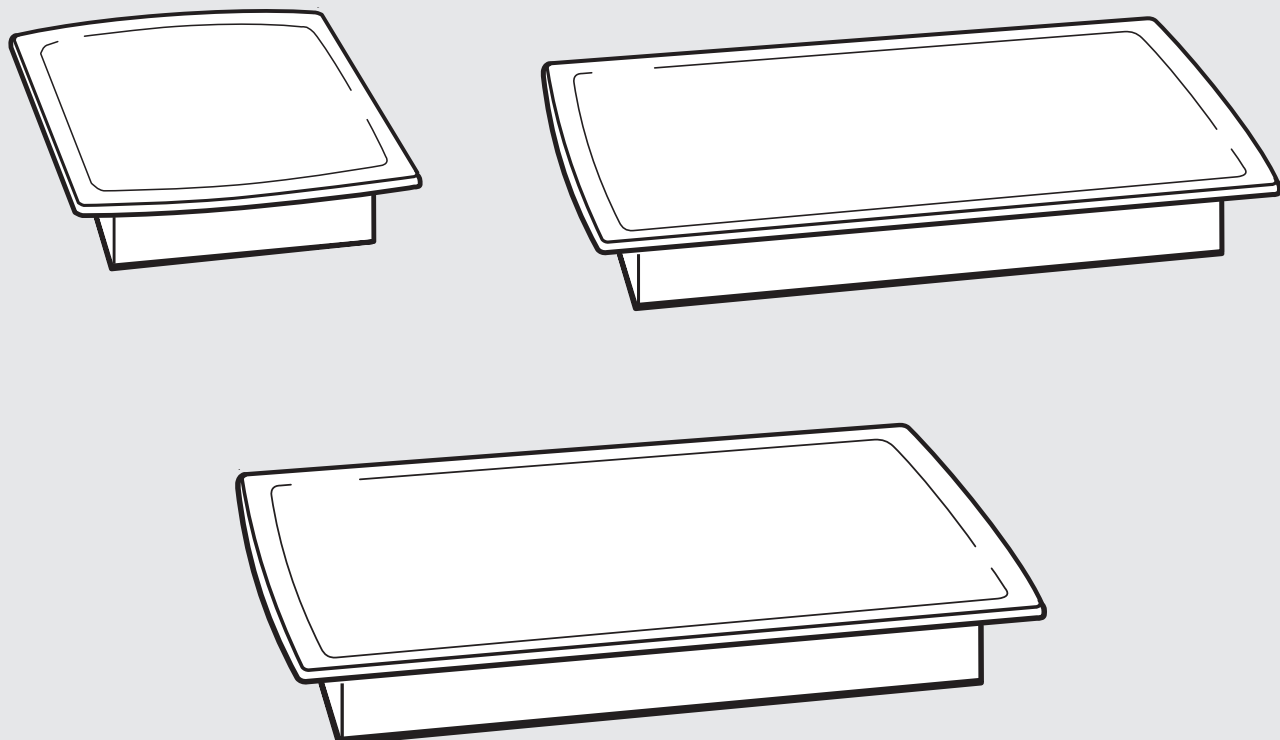


# Installation Instructions

## Electric Built-in Cooktops 21" (53.3 cm), 30" (76.2 cm) and 36" (91.4 cm)



**IMPORTANT:**  
Read and save these  
instructions.

**IMPORTANT:**

**Installer:** Leave Installation Instructions with the homeowner.

**Homeowner:** Keep Installation Instructions for future reference. Save Installation Instructions for local electrical inspector's use.

Write down the model and serial numbers before installing cooktop.

Both numbers are on the model/serial rating plate, located on the underside of the cooktop burner box.

Model # \_\_\_\_\_

Serial # \_\_\_\_\_

# Before you start...

## Your safety and the safety of others are very important.

We have provided many important safety messages in this manual and on your appliance. Always read and obey all safety messages.



This is the safety alert symbol.

This symbol alerts you to potential hazards that can kill or hurt you and others.

All safety messages will follow the safety alert symbol and either the word "DANGER" or "WARNING". These words mean:

## DANGER

You can be killed or seriously injured if you don't immediately follow instructions.

## WARNING

You can be killed or seriously injured if you don't follow instructions.

All safety messages will tell you what the potential hazard is, tell you how to reduce the chance of injury, and tell you what can happen if the instructions are not followed.

**Important: Observe all governing codes and ordinances.**

Proper installation is your responsibility. Make sure you have everything for correct installation. It is the responsibility of the installer to comply with the installation clearances specified in these instructions.

### Cooktop installed over oven

**installation:** Only certain specified cooktop and oven models are approved for cooktop over oven installations. Cooktops approved for this type of installation will have an approval label located on the outside of the burner box. If you do not find this label, contact your dealer to confirm that cooktop is approved. The label on the bottom of your cooktop lists the cooktop and oven combinations that are approved for this type of installation.

Ovens approved for this type of installation will have an approval label located on top of oven. If you do not find this label, contact dealer to confirm that oven is approved. Refer to oven manufacturer's Installation Instructions for approval for built-under use and proper cutout dimensions.

**When installing cooktop over a built-under oven,** Do not fasten cooktop to countertop with clamps. Cooktop then will be easy to remove if servicing is ever necessary.

**Check location** where cooktop will be installed. The location should be away from strong draft areas, such as windows, doors and strong heating vents or fans. The cooktop should be located for convenient use in the kitchen.

**Grounded electrical supply** is required. See "Electrical requirements," Page 4.

### Important:

**Observe all governing codes and ordinances.**

When installing a cooktop under existing cabinets and the installation does not meet the minimum cabinet clearances, install a range hood above the cooktop to avoid burn hazards.

**Countertop opening dimensions** that are shown must be used. Given dimensions are minimum clearances and provide required 0" (0 cm) clearance.

**Replacement installations** — follow minimum dimensions given.

**It is the customer's responsibility:**  
**To contact a qualified electrical installer.**

**To assure that the electrical installation is adequate and in conformance with National Electrical Code, ANSI/NFPA 70 — latest edition\*\*, or CSA Standards C22.1-94, Canadian Electrical Code, Part 1 and C22.2 No. 0-M91 - latest edition \*\*\* and all local codes and ordinances.**

Copies of the standards listed may be obtained from:

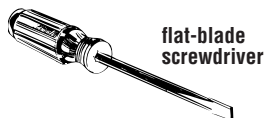
\* National Fire Protection Association  
Batterymarch Park  
Quincy, Massachusetts 02269

\*\* CSA International  
8501 East Pleasant Valley Road  
Cleveland, Ohio 44131-5575

## Tools needed for installation:



ruler or  
tape measure



flat-blade  
screwdriver

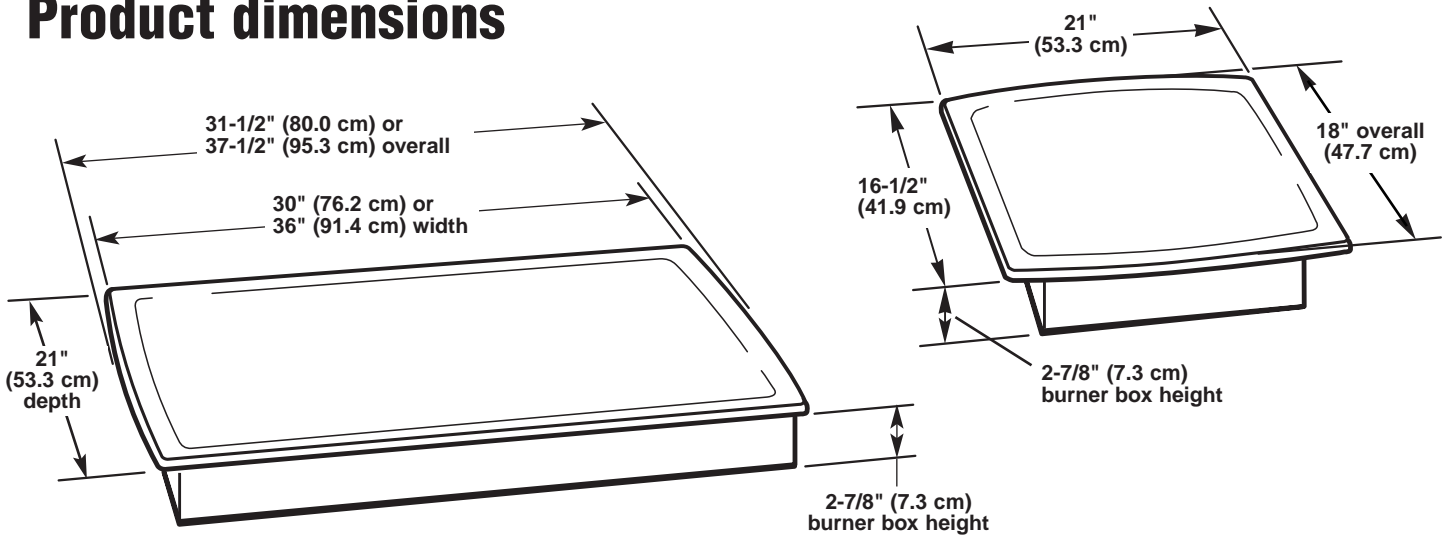


pencil

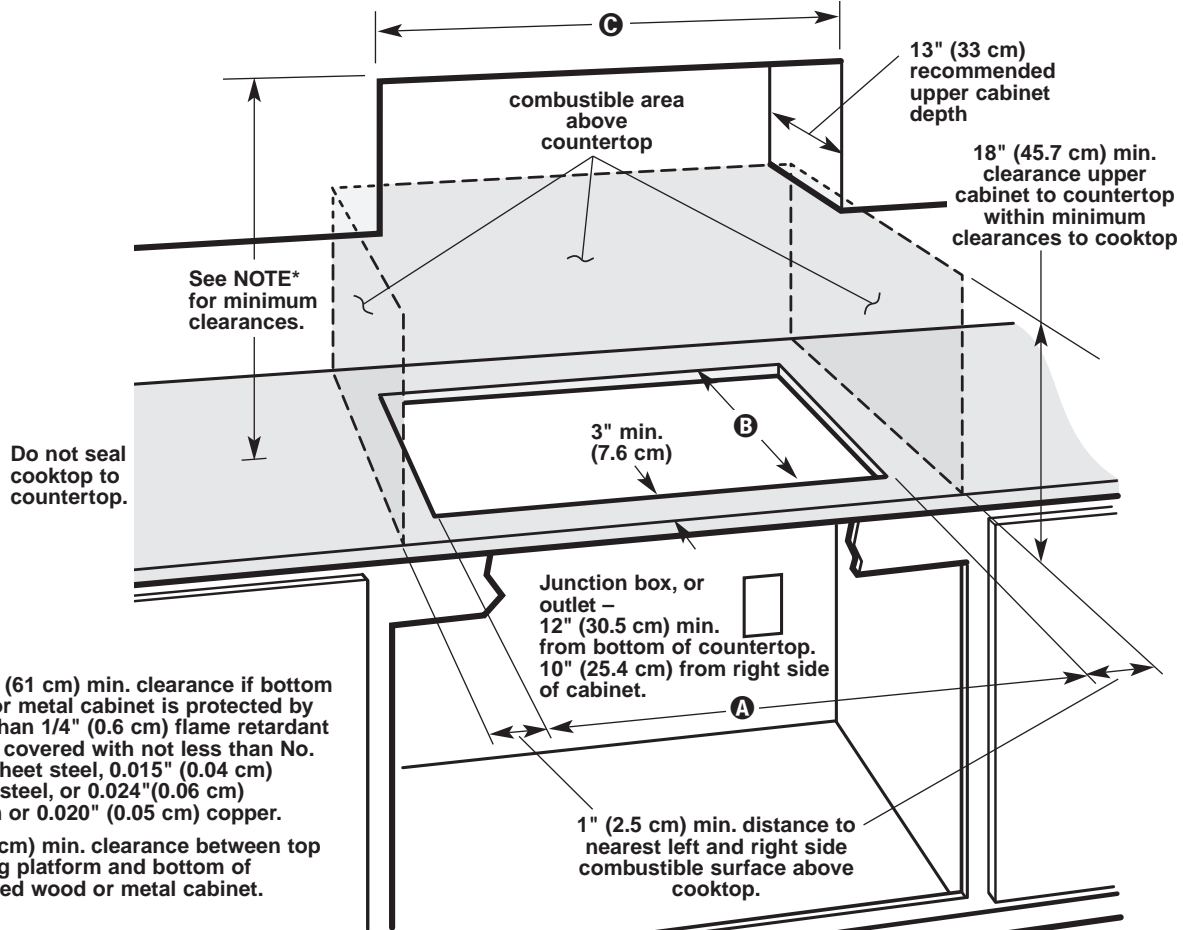


pliers

# Product dimensions



# Cutout dimensions/requirements



\* Note: 24" (61 cm) min. clearance if bottom of wood or metal cabinet is protected by not less than 1/4" (0.6 cm) flame retardant millboard covered with not less than No. 28 MSG sheet steel, 0.015" (0.04 cm) stainless steel, or 0.024" (0.06 cm) aluminum or 0.020" (0.05 cm) copper.  
 30" (76.2 cm) min. clearance between top of cooking platform and bottom of unprotected wood or metal cabinet.

Illustration dimensions			
Cooktop width	A	B	C
21" (53.3 cm)	18-5/8" (33.7 cm)	15-1/2" (34.4 cm)	21" (53.3 cm)
30" (76.2 cm)	28-7/8" (73.3 cm)	18-5/8" (47.3 cm)	30" (76.2 cm)
36" (91.4 cm)	35" (89 cm)	18-5/8" (47.3 cm)	36" (91.4 cm)

Important note on base cabinet construction: After making the countertop cutout, some installations may require notching down the base cabinet side walls to clear the burner box. To avoid this modification, use a base cabinet having sidewalls wider than the cutout.

**Note:** If cabinet has a drawer, a 4" (10.2 cm) depth clearance from the countertop to the top of the drawer (or other obstruction) in base cabinet is required.

# Electrical requirements

If codes permit and a separate ground wire is used, it is recommended that a qualified electrician determine that the ground path and wire gauge are in accordance with local codes.

**Do Not ground to a gas pipe.**

**Check with a qualified electrician if you are not sure the cooktop is properly grounded.**

**Do Not have a fuse in the neutral or ground circuit.**

**This cooktop must be connected to a metal permanent wiring system.**

## IMPORTANT:

**Save Installation Instructions for electrical inspector's use.**

### 240-volt cooktop

**A.** A three-wire or four-wire, single phase, 240-volt, 60-Hz, AC-only electrical supply is required on a separate, 40-ampere circuit (note: the RCS2012 series requires a 20 ampere circuit), fused on both sides of the line. A time-delay fuse or circuit breaker is recommended. The fuse size must not exceed the circuit rating of the appliance specified on the model/serial rating plate located on the bottom of the cooktop.

**B.** Wire sizes and connections must conform to the requirements of the National Electrical Code ANSI/NFPA 70 – latest edition\*, or CSA Standards C22.1-94, Canadian Electrical Code, Part 1 and C22.2 No. 0-M91 - latest edition\*\* and all local codes and ordinances.

**C.** The cooktop should be connected directly to the fused disconnect or circuit breaker box through flexible, armored or non-metallic sheathed, copper cable. The flexible, armored cable extending from the fuse box or circuit breaker box should be connected directly to the junction box.

**D.** Locate the junction box to allow as much slack as possible between the junction box and the cooktop so that the cooktop can be moved if servicing is ever necessary. Do Not cut the conduit.

**E.** A U.L.- or CSA-listed conduit connector must be provided at each end of the power supply cable (at the cooktop and at the junction box.)

**F.** If the house has aluminum wiring, follow the procedure below:

- Connect the aluminum wiring to the copper wire by using special connectors designed and Underwriters Laboratories-listed for joining copper to aluminum. Follow the electrical connector manufacturer's recommended procedure.
- Aluminum/copper connection must conform with local codes and industry-accepted wiring practices.

### 120-volt cooktop

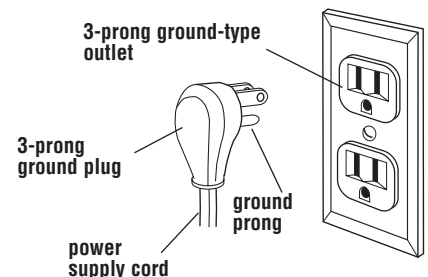
A 120-volt, 60-Hz, AC-only, 20-ampere, fused electrical supply is required. (Time-delay fuse or circuit breaker is recommended.) It is recommended that a separate circuit serving only this appliance be provided. A NEMA 5-20R, 3-prong ground-type outlet must be used.

having a NEMA 5-20P, 3-prong ground plug. To minimize possible shock hazard, the cord must be plugged into a mating, NEMA 5-20R, 3-prong ground-type outlet, grounded in accordance with the National Electrical Code, ANSI/NFPA 70 — latest edition\*, and local codes and ordinances. (See Figure 1.)

If a mating outlet is not available, it is the personal responsibility and obligation of the customer to have a properly grounded, NEMA 5-20R, 3-prong outlet installed by a qualified electrician.

**WARNING -** Improper connection of the equipment-grounding conductor can result in a risk of electric shock. Check with a qualified electrician or serviceman if you are in doubt as to whether the appliance is properly grounded. Do not modify the plug provided with the appliance - if it will not fit the outlet, have a proper outlet installed by a qualified electrician.

Figure 1




Copies of the standards listed above may be obtained from:

\* National Fire Protection Association  
Batterymarch Park  
Quincy, Massachusetts 02269

\*\* CSA International  
8501 East Pleasant Valley Road  
Cleveland, Ohio 44131-5575

**⚠ WARNING**



**Electrical Shock Hazard**

**Plug into a grounded 3-prong outlet.**

**Do not remove ground prong.**

**Do not use an adapter.**

**Failure to follow these instructions can result in death, fire, or electrical shock.**

### Recommended ground method

For your personal safety, this cooktop must be grounded. This cooktop is equipped with a power supply cord

# Electrical connection

## ⚠ WARNING



### Electrical Shock Hazard

Turn power supply off before connecting wires.

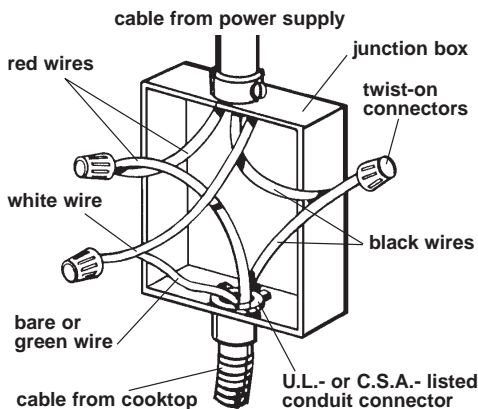
Electrically ground cooktop.

Failure to follow these instructions can result in death, fire, or electrical shock.

This cooktop must be connected to a grounded, metallic permanent wiring system or a ground connector should be connected to the ground terminal or wire lead on the cooktop.

This cooktop is manufactured with a frame connected, green or bare ground wire. Connect the cooktop cable to the junction box through the U.L.- or CSA-listed conduit connector. Complete electrical connection according to local codes and ordinances.

## A. Where local codes permit connecting the frame-ground conductor to the neutral (white) junction box wire: (Not used for Canadian installations)



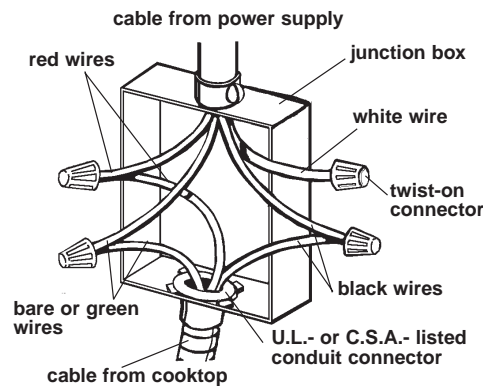
### Grounded neutral – Figure 2

1. Disconnect power supply.
2. Connect the flexible, armored cable from the cooktop to the junction box using a U.L.- or CSA-listed conduit

connector. Tighten screws on conduit connector.

3. Connect the green (or bare) appliance cable wire with the neutral (white) wire in the junction box using twist-on connector.
4. Connect the two black wires together; then connect the two red wires together with twist-on connector. (See Figure 2.)

## B. Where local codes Do Not permit connecting the frame-ground conductor to the neutral (white) junction box wire: (Used for all Canadian installations)



### Ungrounded neutral – Figure 3

1. Disconnect power supply.
2. Connect the flexible, armored cable from the cooktop to the junction box using a U.L.- or CSA-listed conduit connector. Tighten screws on conduit connector.
3. Connect the two black wires together; then connect the two red wires together using twist-on connector. (See Figure 3.)
4. Connect the green or bare ground wire from the appliance cable to the grounded wire in the junction box or other grounded connector using twist-on connector.
5. Put a twist-on connector on end of white wire.

# Now start...

With cooktop in kitchen.

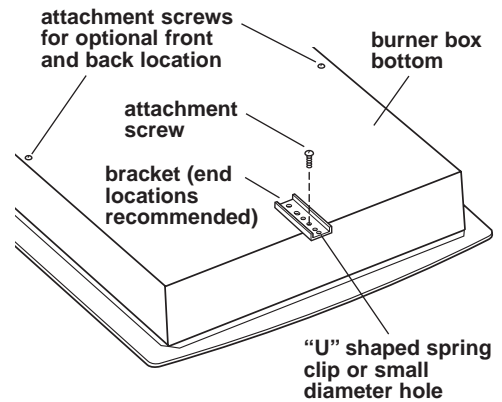
## ⚠ WARNING

### Excessive Weight Hazard

Use two or more people to move and install cooktop.

Failure to do so can result in back or other injury.

1. Remove the shipping materials and tape from the cooktop. Remove the hardware package from inside the literature bag.



Standard cooktop shown. See specific instructions for installing brackets on Lift Top models.

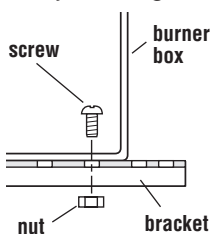
2. Two clamp brackets are provided to clamp the cooktop to the countertop. Install the clamp brackets on each end of the burner box bottom. Optional: If cabinet construction does not provide clearance for installing brackets at burner box ends, install the brackets on the front and back of the burner box bottom.

The brackets may be installed **before** (see Step 2a) or **after** (see Step 2b) the cooktop is placed into the cutout. Note: Step 2B is **not recommended** for Lift Top models.

**2a.** If installing **before** the cooktop is placed into cutout:

- Remove elements and burner bowls.
- Place the cooktop upside down on a protective surface (blanket, pad). **For Lift Top models:** Place the cooktop right side up on the protective surface.

- Remove the attachment screws for the bracket locations selected from the bottom of the burner box. **For Lift Top models:** Remove the two phillips round head screws and hex nuts from the envelope.
- Use bracket mounting holes that will allow the clamp screws (see Step 3) to contact the countertop bottom. Attach brackets as shown then rotate brackets so that they do not extend beyond edge of burner box.



**For Lift Top models:** Lift top (see Use and Care Guide for instructions) and install round head screws through the burner box and brackets so that the screw head is inside the burner box. Attach the hex nuts against clamp brackets.

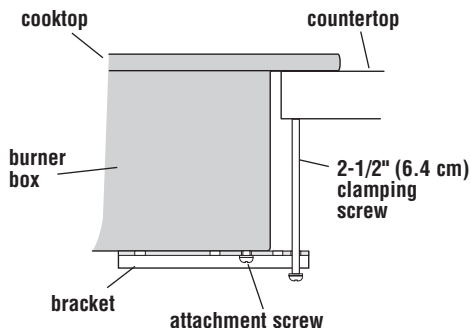
- Tighten screws (or hex nuts) just enough to hold brackets in place when cooktop is put into cutout.
- Turn the cooktop right side up if needed. Carefully place into the cutout. **Important:** Check that the front edge of the cooktop is parallel to the front edge of the countertop. **If repositioning is needed, lift entire cooktop up from cutout to prevent scratching the countertop.**
- Loosen the screws or nuts, rotate the brackets so that they extend beyond edge of the burner box. Tighten screws or nuts securely.

**2b.** If installing **after** the cooktop is placed into cutout (Note: This method is **not recommended** for Lift Top models.):

- Carefully place cooktop into cutout.
- Important:** Check that the front edge of the cooktop is parallel to the front edge of the countertop.

**If repositioning is needed, lift entire cooktop up from cutout to prevent scratching the countertop.**

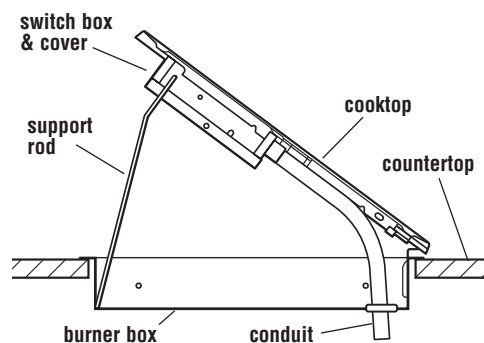
- Remove the attachment screws from selected bracket locations on the bottom of the burner box.
- Attach brackets as shown so that they are beyond edge of burner box and the clamp screws (see Step 3) will contact the countertop bottom. Tighten screws securely.



**3.** Place the 2-1/2" (6.4 cm) clamping screws into the brackets. Use a screwdriver to tighten the screws against the countertop. **DO NOT OVERTIGHTEN.**

**4.** Make electrical connection. (See "Electrical requirements" and "Electrical connection" sections, Pages 4 and 5.)

**If your house has aluminum wiring, see "Electrical requirements", Page 4.**



**LIFT TOP MODELS (KECS100 & KECS161) only**

Raise cooktop per Use & Care Guide instructions. This will ensure that enough slack is left after electrical connection to properly operate lift top feature of cooktop.

If installing cooktop over built-under oven, check that cooktop lift top feature operates after oven installation is complete.

**5.** Reinstall elements and burner bowls. Turn on power supply.

**6.** Depending on your model, push in and turn each control knob to the "HI" position or touch "ON" and turn each control knob to the "HI" position. Check the operation of the cooktop elements and indicator lights.

## If cooktop does not operate:

- Check that the circuit breaker is not tripped or the house fuse blown.
- Check that the power supply cord is plugged into the outlet (120 V models).
- See Use and Care Guide for troubleshooting list.

**Note:** Refer to Use and Care Guide for operating and cleaning instructions.

## If you need assistance:

**If you have questions about operating, cleaning or maintaining your cooktop:**

- Refer to **Use and Care Guide.**
- Call the Customer Interaction Center. Check your Use and Care Guide for a toll-free number to call or call the dealer from whom you purchased this appliance. The dealer is listed in the Yellow Pages of your phone directory under "Appliances — Household — Major — Service and Repair."

## If you need service:

**Maintain the quality built into your cooktop by calling an authorized service company.**

To obtain the name and number of the authorized service company:

- Contact the dealer from whom you purchased your cooktop; or
- Look in the Yellow Pages of your telephone directory under "Appliances — Household — Major — Service and Repair;" or
- Call the Customer Interaction Center. The toll-free number is listed in your Use and Care Guide.

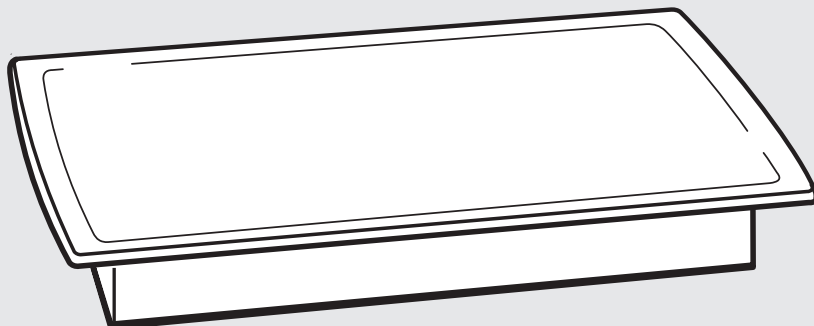
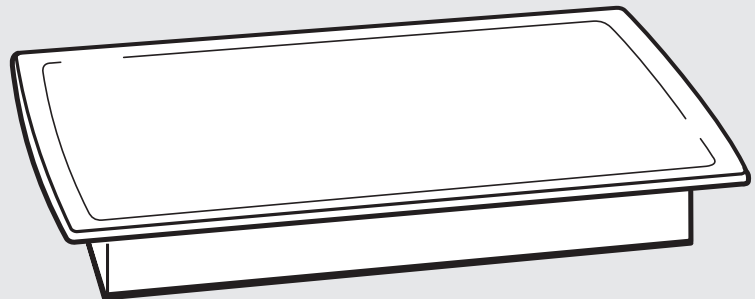
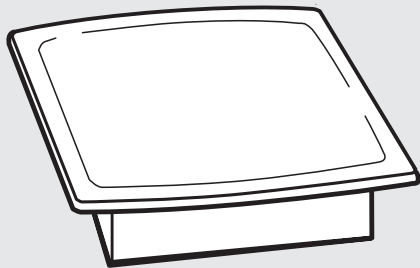
When you call, you will need:

- The cooktop model number.
- The cooktop serial number.

Both numbers are listed on the model/serial rating plate located on the underside of cooktop burner box.

# Instructions d'installation

**Tables de cuisson électriques encastrées  
en céramique de 53,3 (21 po),  
de 76,2 cm (30 po) et de 91,4 cm (36 po)**



## **IMPORTANT :** **Lire et conserver** **ces instructions.**

**Installateur :** Remettre les instructions d'installation au propriétaire.

**Propriétaire :** Conserver les instructions d'installation pour référence ultérieure.

**Conserver** les instructions d'installation pour utilisation par l'inspecteur local des installations électriques.

Inscrire les numéros de modèle et de série avant d'installer la surface de cuisson.

Les deux numéros sont indiqués sur la plaque signalétique des numéros de modèle et de série, située au fond de la table de cuisson.

N° de modèle \_\_\_\_\_

N° de série \_\_\_\_\_

# Avant de commencer...

## Votre sécurité et celle des autres est très importante.

Nous donnons de nombreux messages de sécurité importants dans ce manuel, et sur votre appareil ménager. Assurez-vous de toujours lire tous les messages de sécurité et de vous y conformer.



Voici le symbole d'alerte de sécurité.

Ce symbole d'alerte de sécurité vous signale les dangers potentiels de décès et de blessures graves à vous et à d'autres.

Tous les messages de sécurité suivront le symbole d'alerte de sécurité et le mot «DANGER» ou «AVERTISSEMENT». Ces mots signifient :

## DANGER

Risque possible de décès ou de blessure grave si vous ne suivez pas immédiatement les instructions.

## AVERTISSEMENT

Risque possible de décès ou de blessure grave si vous ne suivez pas les instructions.

Tous les messages de sécurité vous diront quel est le danger potentiel et vous disent comment réduire le risque de blessure et ce qui peut se produire en cas de non-respect des instructions.

**Important : Observer les dispositions de tous les codes et règlements en vigueur.**

La responsabilité de la qualité de l'installation incombe au propriétaire. Vérifier que tout le matériel nécessaire pour une installation correcte est disponible. C'est à l'installateur qu'incombe la responsabilité de respecter l'espacement d'installation précisé dans ces instructions.

**Table de cuisson installée au-dessus d'un four :** Seuls certains modèles spécifiés de tables de cuisson et de fours sont approuvés pour l'installation de deux appareils superposés. Les tables de cuisson approuvées pour ce type d'installation auront une étiquette d'approbation située à l'extérieur de l'enceinte des brûleurs. Si vous ne trouvez pas cette étiquette, contacter votre marchand pour confirmer que la table de cuisson est approuvée. L'étiquette à la base de votre table de cuisson indique les combinaisons de table de cuisson et de four qui sont approuvées pour ce type d'installation.

Les fours approuvés pour ce type d'installation comporteront une étiquette d'approbation apposée au sommet du four. Si cette étiquette n'est pas présente, contacter le marchand pour confirmer que le four est approuvé. Consulter les instructions d'installation du fabricant du four pour l'approbation de l'utilisation du four encastré et les dimensions d'ouverture appropriées.

**Lors de l'installation de la table de cuisson au-dessus d'un four encastré,** ne pas fixer la table de cuisson au-dessus d'un comptoir avec des brides. Il sera plus facile de démonter la table de cuisson pour les travaux d'entretien s'il y a lieu.

**Inspecter l'emplacement** où la table de cuisson sera installée. L'emplacement devrait être situé à distance de toute source de courants d'air intenses, comme fenêtres, portes et conduits de chauffage ou ventilateurs puissants. La table de cuisson devrait être installée dans la cuisine.

**Une liaison électrique à la terre** est requise. voir «Spécifications électriques» au Page 4.

## Important :

**Observer les dispositions de tous les codes et règlements en vigueur.**

**Le non-respect de ces codes et règlements peut être la cause d'un incendie ou d'un choc électrique.**

Lors de l'installation d'une table de cuisson sous des armoires existantes, et lorsque l'installation ne répond pas à l'espacement minimum des armoires, installer une hotte de cuisinière au-dessus de la table de cuisson pour éviter les risques de brûlure.

**Les dimensions d'ouverture** sur le dessus du comptoir qui sont indiquées doivent être utilisées. Les dimensions données sont des espacements minimums et fournissent un dégagement requis de 0 cm (0 po).

**Installations de remplacement** — respecter les dimensions minimales fournies.

**C'est au client qu'incombe la responsabilité de contacter un électricien qualifié pour garantir que l'installation électrique soit réalisée adéquatement et en conformité avec les prescriptions du Code national des installations électriques, ANSI/NFPA 70 – dernière édition\*, ou de la norme CSA C22.1-94, Code canadien des installations électriques, partie 1 et C22.2 No 0-M91 – dernière édition\*\* et tous les codes et règlements locaux en vigueur.**

On peut obtenir des exemplaires des normes mentionnées auprès de :

\* National Fire Protection Association  
Batterymarch Park  
Quincy, Massachusetts 02269

\*\* CSA International  
8501 East Pleasant Valley Road  
Cleveland, Ohio 44131-5575

## Outils nécessaires pour l'installation :



règle ou gallon à mesurer



tournevis à lame plate



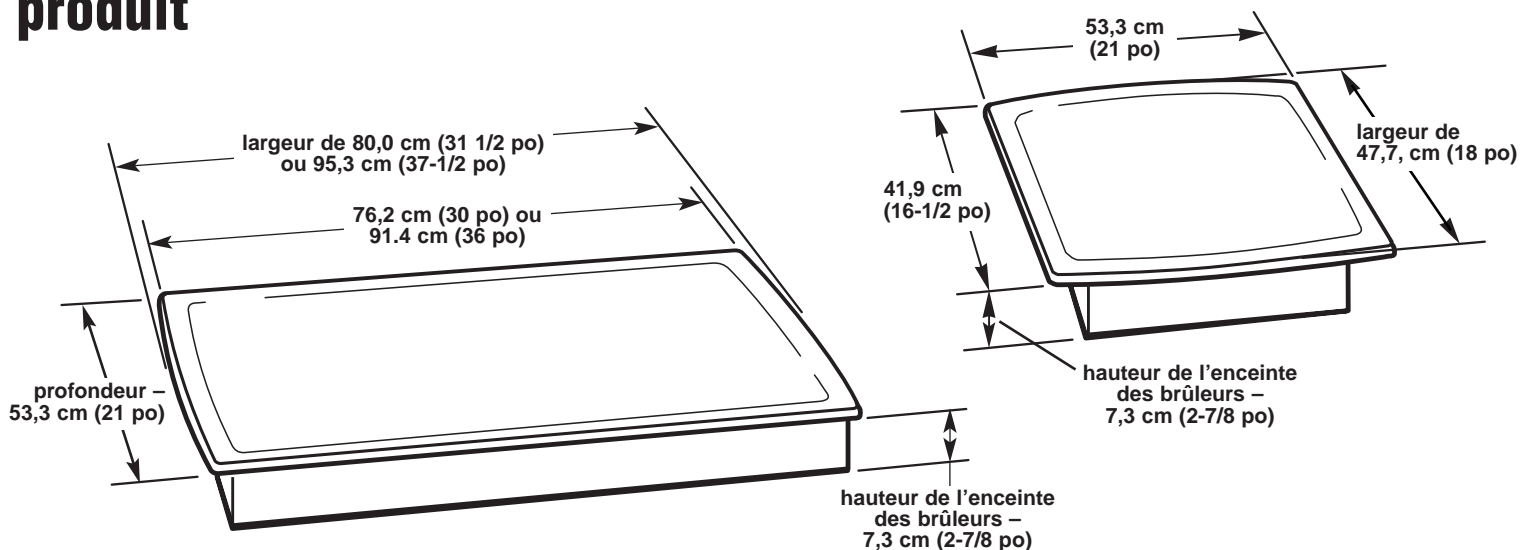
crayon



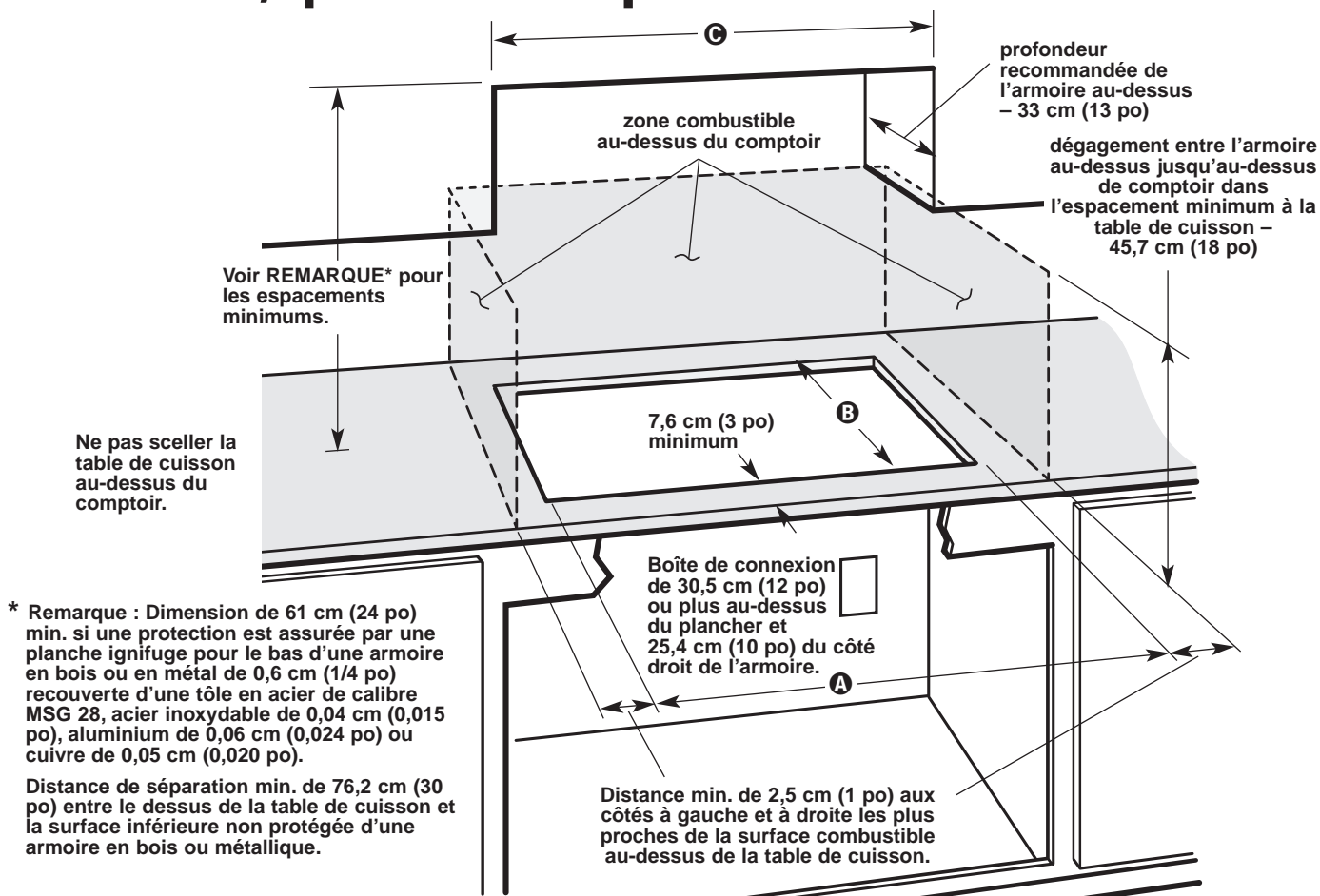
pince



# Dimensions du produit



# Dimensions/spécifications pour l'ouverture



\* Remarque : Dimension de 61 cm (24 po) min. si une protection est assurée par une planche ignifuge pour le bas d'une armoire en bois ou en métal de 0,6 cm (1/4 po) recouverte d'une tôle en acier de calibre MSG 28, acier inoxydable de 0,04 cm (0,015 po), aluminium de 0,06 cm (0,024 po) ou cuivre de 0,05 cm (0,020 po).

Distance de séparation min. de 76,2 cm (30 po) entre le dessus de la table de cuisson et la surface inférieure non protégée d'une armoire en bois ou métallique.

Dimensions dans l'illustration

Largeur de la table de cuisson	A	B	C
53,3 cm (21 po)	33,7 cm (18 5/8 po)	34,4 cm (15 1/2 po)	53,3 cm (21 po)
76,2 cm (30 po)	73,3 cm (28 7/8 po)	47,3 cm (18 5/8 po)	76,2 cm (30 po)
91,4 cm (36 po)	89 cm (35 po)	47,3 cm (18 5/8 po)	91,4 cm (36 po)

Après le découpage de l'ouverture dans le plan de travail, il peut être nécessaire d'entailler les parois latérales du placard pour permettre le passage de la boîte des brûleurs. Pour éviter cette modification, il faut que la profondeur du placard soit supérieure à la largeur de l'ouverture découpée dans le plan de travail.

**Remarque:** Si l'armoire a un tiroir, un dégagement de 10,2 cm (4 po) de profondeur du dessus de comptoir au sommet du tiroir (ou autre obstruction) dans l'armoire de base est requis

# Spécifications électriques

Si les codes en vigueur le permettent et si on utilise un conducteur distinct de liaison à la terre, il est recommandé qu'un électricien qualifié vérifie la qualité de la liaison à la terre.

Ne pas utiliser une canalisation de gaz pour la liaison à la terre.

En cas de doute en ce qui concerne la liaison à la terre de la table de cuisson, contacter un électricien qualifié.

Ne pas installer de fusible dans le circuit de liaison à la terre ou dans le fil neutre.

## IMPORTANT :

Conserver les Instructions d'installation pour l'utilisation par l'inspecteur local des installations électriques.

**A.** Il faut que l'appareil soit alimenté uniquement par un circuit indépendant monophasé 240 volts, 60 Hz (3 ou 4 conducteurs) dont les 2 conducteurs de phase sont protégés par fusible/disjoncteur 40 A (Note : circuit 20 A pour série RCS2012). On recommande l'emploi d'un fusible disjoncteur ou fusible temporisé. La capacité du fusible ne doit pas être supérieure à la demande de courant maximale spécifiée sur la plaque signalétique de l'appareil (sur la fond de la table de cuisson).

**B.** La taille des fils et la configuration des connexions doivent satisfaire les prescriptions de la dernière édition du Code national des installations électriques, ANSI/NFPA 70 dernière édition\*, ou la dernière édition\*\* de la norme CSA C22.1-94, Code canadien des installations électriques, partie 1 et C22.2 N° 0-M91 et de tous les codes et règlements locaux en vigueur.

**C.** La table de cuisson devrait être directement reliée à un coupe-circuit avec fusible ou à un disjoncteur, par l'intermédiaire d'un câble flexible à conducteur de cuivre, blindé ou à gaine non métallique. Le câble blindé flexible sortant de la boîte à fusibles ou de la boîte à disjoncteur devrait être connecté directement à la boîte de connexion.

**D.** Placer la boîte de connexion pour permettre autant d'écart que possible entre la boîte de connexion et la table de cuisson, pour que la table de cuisson puisse être déplacée si un entretien devient nécessaire. **Ne pas couper le conduit.**

**E.** On doit installer un connecteur de conduit (homologation CSA ou U.L.) à chaque extrémité du câble d'alimentation électrique (au niveau de la table de cuisson et de la boîte de connexion).

**F.** Si le câblage du domicile se compose de fils d'aluminium, suivre la méthode ci-dessous :

- Connecter le fil d'aluminium au fil de cuivre au moyen de connecteurs spéciaux conçus et homologués par Underwriters Laboratories. Suivre la méthode recommandée par le fabricant du connecteur électrique.
- La connexion aluminium/cuivre doit être conforme aux codes locaux et aux méthodes de câblage acceptées par l'industrie.

On peut obtenir des exemplaires des normes mentionnées auprès de :

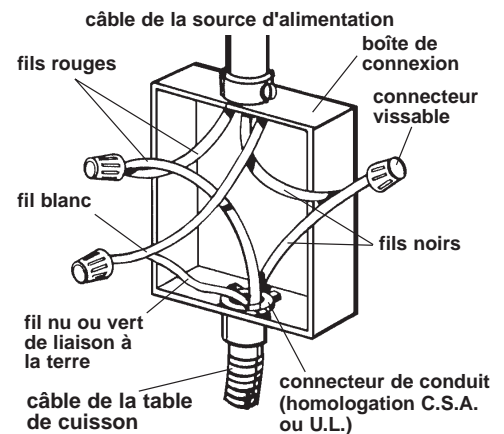
\* National Fire Protection Association  
Batterymarch Park  
Quincy, Massachusetts 02269

\*\* CSA International  
8501 East Pleasant Valley Road  
Cleveland, Ohio 44131-5575

Cette table de cuisson doit être connectée à un câblage métallique permanent relié à la terre ou un conducteur de liaison à la terre doit être connecté à la borne de liaison à la terre ou au fil de liaison à la terre de la table de cuisson.

Cette table de cuisson comporte un fil de liaison à la terre vert ou nu, connecté au châssis. Connecter le câble de la table de cuisson à la boîte de connexion par l'intermédiaire d'un connecteur de conduit (homologation CSA ou U.L.). Compléter l'ensemble du raccordement électrique conformément aux dispositions des codes et règlements locaux.

**A.** Lorsque les codes locaux permettent le raccordement du conducteur de liaison à la terre de la caisse au fil neutre (blanc) de la boîte de connexion (non utilisé dans une installation au Canada) :



Fil neutre relié à la terre

Figure 1

- Déconnecter l'alimentation électrique.
- Connecter le câble blindé flexible de la table de cuisson à la boîte de connexion à l'aide d'un connecteur de conduit (homologation CSA ou U.L.). Serrer les vis sur le connecteur de conduit.
- Connecter ensemble le fil vert (ou nu) du câble de l'appareil et le fil neutre (blanc) de la boîte de connexion, à l'aide d'un connecteur vissable.
- Connecter ensemble les deux fils noirs; ensuite, connecter ensemble les deux fils rouges avec un connecteur vissable (voir Figure 1).

## Raccordement électrique

### ⚠ AVERTISSEMENT

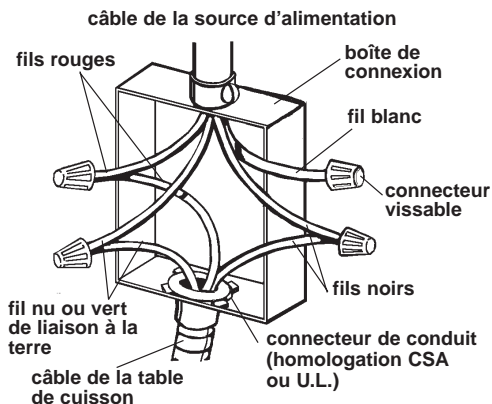


**Risque de choc électrique**  
Déconnecter l'alimentation électrique avant d'effectuer les raccordements des fils.

**La table de cuisson doit être électriquement reliée à la terre.**

**Le non-respect de ces instructions peut causer un décès, un incendie ou un choc électrique.**

**B.** Lorsque les codes locaux ne permettent pas le raccordement du conducteur de liaison à la terre du châssis au conducteur neutre (blanc) de la boîte de connexion (utilisé pour toutes les installations au Canada) :



### Fil neutre non relié à la terre

Figure 2

1. Déconnecter l'alimentation électrique.
2. Connecter le câble blindé flexible de la table de cuisson à la boîte de connexion à l'aide d'un connecteur de conduit (homologation CSA ou U.L.). Serrer les vis sur le connecteur de conduit.
3. Connecter ensemble les deux fils noirs; connecter ensuite ensemble les deux fils rouges avec un connecteur vissable (voir Figure 2).
4. Connecter ensemble le fil vert (ou nu) du câble de l'appareil et le fil relié à la terre de la boîte de connexion ou tout autre connecteur relié à la terre, à l'aide d'un connecteur vissable.
5. Placer un connecteur vissable à l'extrémité du fil blanc.

## Commencez maintenant...

avec la table de cuisson dans la cuisine.

### ⚠️ AVERTISSEMENT

**Risque de poids excessif**  
**Deux personnes ou plus doivent déplacer et installer la table de cuisson.**  
**Le non-respect de cette instruction peut causer une blessure au dos ou d'autres blessures.**

1. Enlever les matériaux d'emballage et les rubans adhésifs de la table de cuisson. Enlever l'ensemble de quincaillerie de l'intérieur de l'enveloppe de documentation.

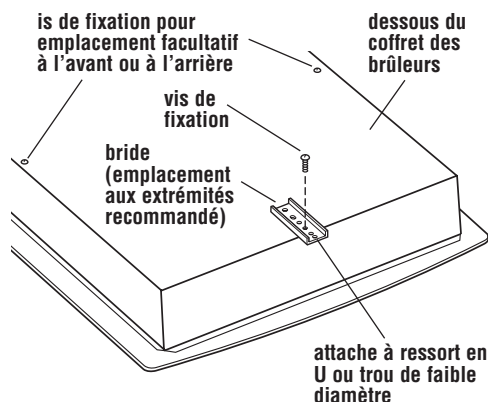


Table de cuisson standard illustrée. Voir les instructions spécifiques pour l'installation des brides sur les modèles à dessus relevable.

2. Deux brides sont fournies pour fixer la table de cuisson au comptoir. Installer les brides à chaque extrémité du dessous du coffret des brûleurs. Optionnel : si la construction de l'armoire n'offre pas de dégagement pour l'installation des brides aux extrémités du coffret des brûleurs, installer les brides à l'avant et à l'arrière du coffret des brûleurs.

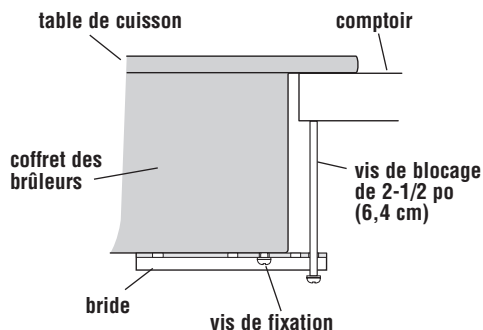
L'installation des brides peut se faire **avant** (voir l'étape 2a) ou **après** (voir l'étape 2b) que la table de cuisson soit placée dans l'ouverture.

**2a.** Dans le cas d'une installation **avant** que la table de cuisson soit placée dans l'ouverture :

- Ôter les éléments et cuvettes.
- Placer la table de cuisson à l'envers sur une surface protégée (couverture, protège-table).
- Ôter les vis de fixation du dessous du coffret des brûleurs pour l'emplacement des brides choisi.
- Utiliser les trous de montage qui permettront aux vis des brides (voir l'étape 3) de toucher le dessous du comptoir. Fixer les brides tel qu'indiqué, puis les tourner pour qu'elles ne dépassent pas le bord du coffret des brûleurs.
- Serrer les vis (ou écrous hex.) juste assez pour maintenir les brides en place durant l'insertion de la table de cuisson dans l'ouverture.
- Remettre la table de cuisson à l'endroit si nécessaire. La placer avec précaution dans l'ouverture.  
**Important :** Vérifier que le bord avant de la table de cuisson est parallèle à l'avant du comptoir.  
**S'il est nécessaire de repositionner la table de cuisson, la sortir complètement de l'ouverture pour ne pas égratigner le comptoir.**
- Desserrer les vis ou écrous, tourner les brides pour qu'elles dépassent le bord du coffret des brûleurs. Bien serrer les vis ou écrous.

**2b.** Dans le cas d'une installation **après** que la table de cuisson soit placée dans l'ouverture :

- Placer soigneusement la table de cuisson dans l'ouverture.
- **Important :** Vérifier que le bord avant de la table de cuisson est parallèle à l'avant du comptoir.  
**S'il est nécessaire de repositionner la table de cuisson, la sortir complètement de l'ouverture pour ne pas égratigner le comptoir.**
- Ôter les vis de fixation des emplacements de bride choisis sur le dessous du coffret des brûleurs.
- Fixer les brides tel qu'indiqué de telle sorte qu'elles dépassent le bord du coffret des brûleurs et que les vis des brides (voir l'étape 3) touchent le dessous du comptoir. Bien serrer les vis.



**3.** Placer les vis de blocage de 2-1/2 po (6,4 cm) dans les brides. Utiliser un tournevis pour serrer les vis contre le comptoir. **NE PAS SERRER EXCESSIVEMENT.**

**4.** Effectuer la connexion électrique. (Voir les sections "Spécifications électriques" et "Raccordement électrique", page 4.)

**Si le câblage du domicile se compose de fils d'aluminium, voir "Spécifications électriques", page 4.**

**5.** Réinstaller les éléments et cuvettes. Rétablir le courant.

**6.** Selon le modèle que vous avez, appuyer sur chaque bouton de commande et le tourner à la position «HI» ou appuyer sur «ON» et tourner chaque bouton de commande à la position «HI». Vérifier le bon fonctionnement des éléments chauffants de la table de cuisson et des témoins lumineux.

## Si la table de cuisson ne fonctionne pas :

- Fusible grillé ou disjoncteur ouvert?
- Cordon d'alimentation correctement branché sur la prise de courant (modèles de 120 V).
- Consulter le Guide d'utilisation et d'entretien – section Dépannage.

**Remarque :** Se référer au Guide d'utilisation et d'entretien pour des instructions d'utilisation et de nettoyage.

## Si vous avez besoin d'assistance :

**Si vous avez des questions au sujet du fonctionnement, du nettoyage ou de l'entretien de votre table de cuisson :**

- Se référer au **Guide d'utilisation et d'entretien.**
- Contacter le Centre d'assistance au consommateur. Vérifier votre guide d'utilisation et d'entretien pour un numéro de téléphone sans frais d'interurbain ou téléphoner au marchand où vous avez fait l'achat de cet appareil électroménager. Le marchand est indiqué dans les Pages jaunes de votre annuaire téléphonique sous la rubrique «Appareils électroménagers»

## Si vous avez besoin de service :

Conserver la qualité incorporée dans votre table de cuisson en communiquant avec une compagnie de service autorisée.

Pour obtenir le nom et le numéro de la compagnie de service autorisée :

- Contacter le marchand où vous avez acheté votre table de cuisson; ou
- Consulter les Pages jaunes de votre annuaire de téléphone sous la rubrique «Appareils électroménagers» ou
- Contacter le Centre d'assistance au consommateur. Un numéro de téléphone sans frais d'interurbain est indiqué dans le Guide d'utilisation et d'entretien.

Lors de votre appel, vous aurez besoin du :

- numéro de modèle de la table de cuisson;
- numéro de série de la table de cuisson.

Les deux numéros se trouvent sur la plaque signalétique des numéros de modèle et de série sur le dessous du coffret des brûleurs.