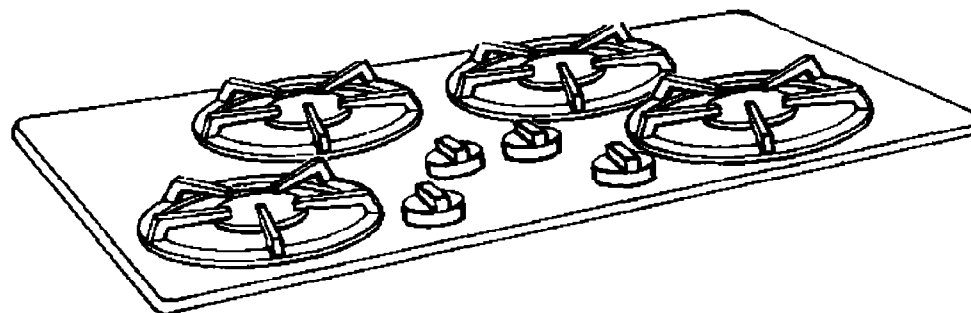


KitchenAid[®]
HOME APPLIANCES

Installation Instructions

**30" and 36" Gas
Sealed Burner
Glass Cooktops**



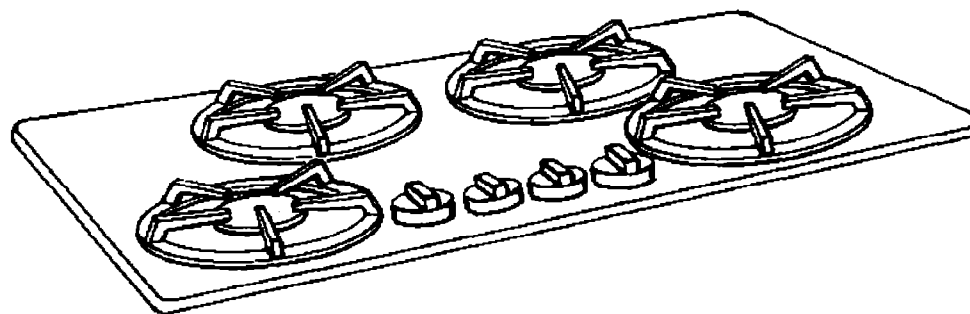
**IMPORTANT:
Read and save these
instructions.**

IMPORTANT:

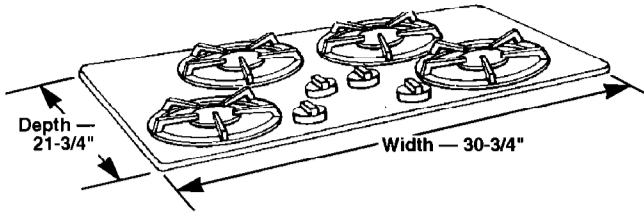
Installer: Leave Installation Instructions with the homeowner.

Homeowner: Keep Installation Instructions for future reference.

Save Installation Instructions for local electrical inspector's use.

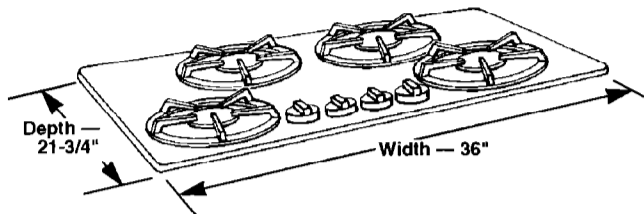


30" Cooktop



30" min. base cabinet is required. If cabinet has a drawer, a 3-1/2" depth clearance from the countertop to the top of the drawer (or other obstruction) in base cabinet is required.

36" Cooktop



36" min. base cabinet is required. If cabinet has a drawer, a 3-1/2" depth clearance from the countertop to the top of the drawer (or other obstruction) in base cabinet is required.

! WARNING

Fire Hazard

Do Not obstruct the flow of combustion and ventilation air.

Personal Injury Hazard

Avoid installing cabinet storage above the cooking surface. If cabinets are already installed, reduce the hazard of reaching over a heated cooking surface by installing a range hood. The range hood should extend a minimum of 5 inches out from the bottom front of the cabinets.

Reaching over a heated cooking surface could result in a serious burn or other personal injury.

Electrical Shock Hazard

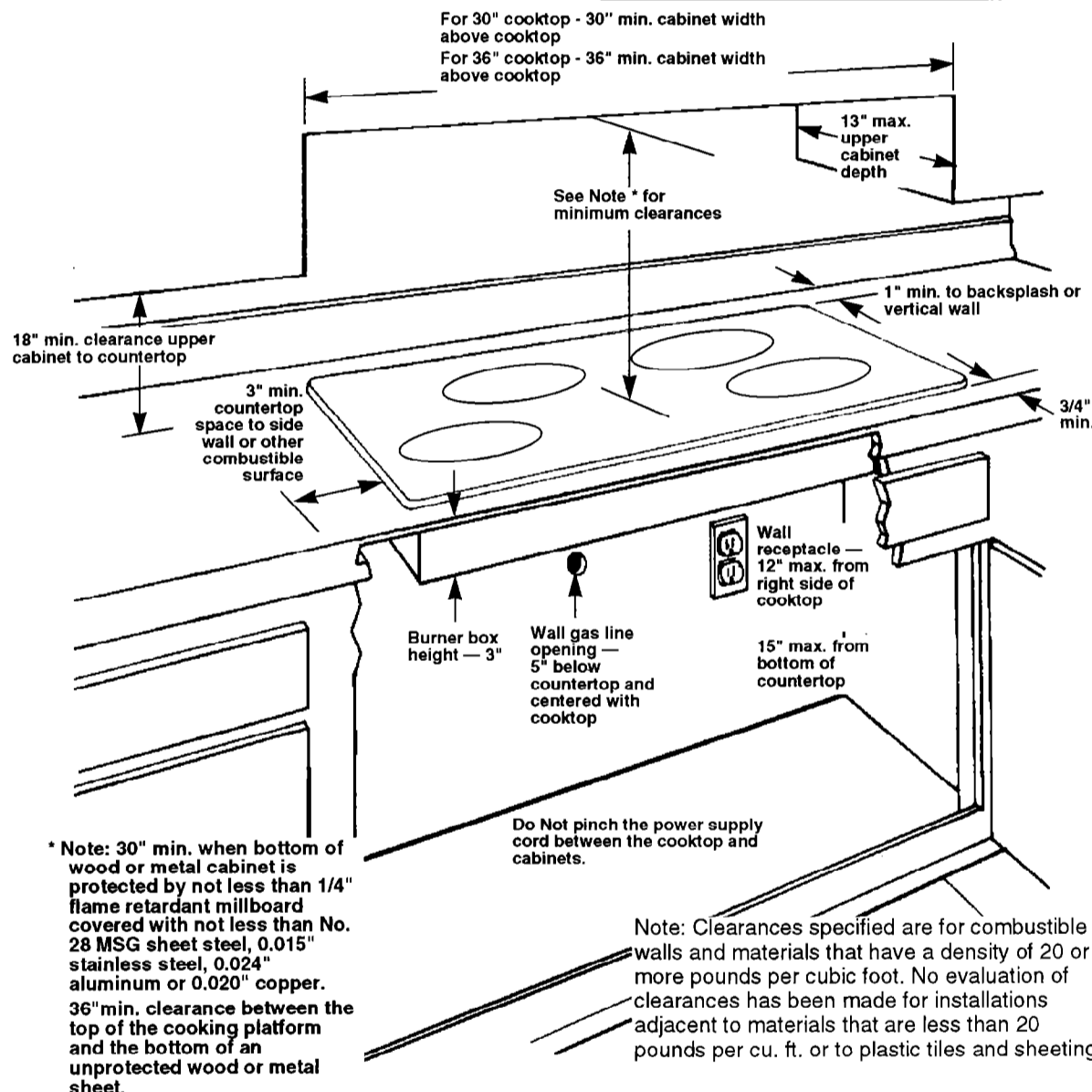
It is the customer's responsibility:

- To contact a qualified electrical installer.
- To assure that electrical installation is adequate and in conformance with National Electrical Code ANSI/NFPA 70 — latest edition and all local codes and ordinances.

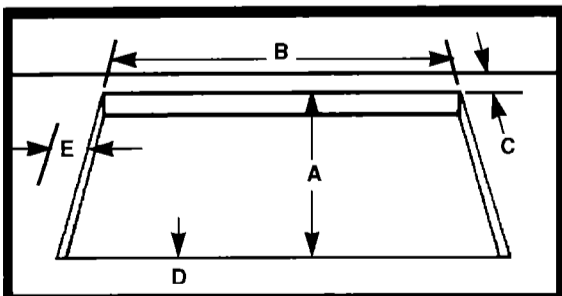
Failure to do so could result in fire, electrical shock or other personal injury.

Take special care when drilling holes into the wall for electrical wiring. Electrical wires may be concealed behind the wall covering.

Failure to do so could result in fire, electrical shock or other personal injury.



For new installations:



30" Cooktop:	36" Cooktop:
A 18-3/4" min. opening depth	A 18-3/4" min. opening depth
B 27" min. opening width	B 33-1/4" min. opening width
C 2-5/8" min. cabinet space to backsplash or vertical wall	C 2-5/8" min. cabinet space to backsplash or vertical wall
D 2-3/8" min. space to front edge of countertop	D 2-3/8" min. space to front edge of countertop
E 5-1/4" min. cabinet space both sides of cooktop from a combustible surface	E 4-5/8" min. cabinet space both sides of cooktop from a combustible surface

Panel A

For replacement installations:

30" Cooktop:	36" Cooktop:
18-3/4" min., 20-5/8" max. opening depth	18-3/4" min., 20-5/8" opening depth
26-1/2" min., 29-5/8" max. opening width	33" min., 34-7/8" max. opening width

Mobile home installation

The installation of this cooktop must conform to the Manufactured Home Construction and Safety Standards, Title 24 CFR, Part 3280 (formerly the Federal Standard for Mobile Home Construction and Safety, Title 24, HUD Part 280); or when such standard is not applicable, the Standard for Manufactured Home Installations 1982 (Manufactured Home Sites, Communities and Setups), ANSI A225, 1/NFPA 501A — 1987, or latest edition, or with local codes.

Copies of the standards listed may be obtained from:

* National Fire Protection Association
Batterymarch Park
Quincy, Massachusetts 02269

** American Gas Association
1515 Wilson Boulevard
Arlington, Virginia 22209

Before you start...

WARNING: If the information in this manual is not followed exactly, a fire or explosion may result causing property damage, personal injury or death.

— Do Not store or use gasoline or other flammable vapors and liquids in the vicinity of this or any other appliance.

— **WHAT TO DO IF YOU SMELL GAS**

- Do Not try to light any appliance.
- Do Not touch any electrical switch; do not use any phone in your building.
- Immediately call your gas supplier from a neighbor's phone. Follow the gas supplier's instructions.
- If you cannot reach your gas supplier, call the fire department.

— Installation and service must be performed by a qualified installer, service agency or the gas supplier.

Proper installation is your responsibility. Make sure you have everything necessary for correct installation. It is the responsibility of the installer to comply with the installation clearances specified on the serial/rating plate. The serial/rating plate can be found on the bottom of the cooktop burner box.

Check location where cooktop will be installed. The location should be away from strong draft areas, such as windows. The cooktop should be located for convenient use in the kitchen.

ALL OPENINGS IN THE WALL OR FLOOR WHERE THE COOKTOP IS TO BE INSTALLED MUST BE SEALED.

Grounded electrical outlet is required. See "Electrical requirements."

Proper gas supply connection must be available. See "Gas supply requirements."

Countertop opening dimensions that are shown must be used. Given dimensions provide required 0" clearance.

Cabinet construction: This appliance is designed for use in a base cabinet with a depth of 24". The maximum depth for overhead cabinets is 13". The minimum vertical clearance between the cooking surface and the overhead cabinets is 30". Overhead cabinets installed at either side of the appliance must be a minimum of 18" above the cooking surface. The minimum distance between the front edge of the countertop and the front edge of the cooktop is 3/4". The minimum horizontal distance between the overhead cabinets above the appliance are shown for your model number.

New installations follow minimum dimensions given.

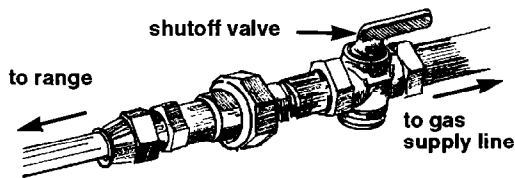
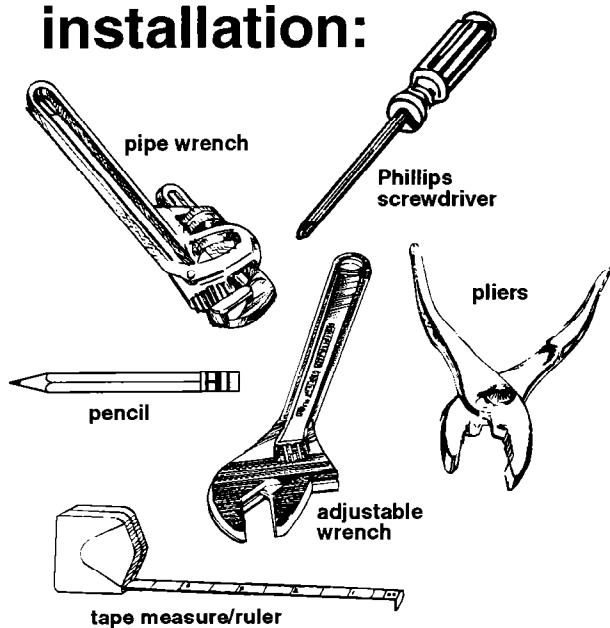
Replacement installations — Be sure that front edge of cooktop is at least 1-1/2" back from front edge of countertop.

When installing cooktop over a built-under oven. Do Not fasten cooktop to countertop with clamps. Cooktop then will be easy to remove if servicing is ever necessary.

Note: The sealed gas cooktop is manufactured for use with NATURAL gas. Conversion to L.P. gas can be made with Kit No. 4175385, available from your KitchenAid dealer or authorized parts distributor.

Important: Observe all governing codes and ordinances. Failure to meet codes and ordinances could lead to fire or electrical shock.

Tools needed for installation:



F. The supply line shall be equipped with an approved shutoff valve. This valve should be located in the same room as the cooktop and should be in a location that allows ease of opening and closing. Do Not block access to shutoff valve. The valve is for turning on or shutting off gas to the appliance.

G. If rigid pipe is used as a gas supply line, a combination of pipe fittings must be used to obtain an in-line connection to the cooktop. All strains must be removed from the supply and fuel lines so cooktop will be level and in line.

H. The regulator must be checked at a minimum 1-inch water column above the set pressure. The inlet pressure to the regular should be as follows for operation:

NATURAL GAS:
Set pressure 4 inches
Maximum inlet pressure 14 inches

I. **Line Pressure Testing:**
Testing above 1/2 psi (gauge)
The cooktop and its individual shutoff valve must be disconnected from the gas supply piping system during any pressure testing of that system at test pressures greater than 1/2 psig (3.5kPA).
Testing at 1/2 psi (gauge) or lower
The cooktop must be isolated from the gas supply piping system by closing its individual manual shutoff valve during any pressure testing of the gas supply piping system at test pressures equal to or less than 1/2 psig (3.5kPA).

Recommended grounding method

For your personal safety, this appliance must be grounded. This appliance is equipped with a 3-prong grounding plug. To minimize possible shock hazard, the cord must be plugged into a mating 3-prong grounding-type wall receptacle, grounded in accordance with the National Electrical Code ANSI/NFPA 70 — latest edition and local codes and ordinances. See Figure 1. If a mating wall receptacle is not available, it is the personal responsibility and obligation of the customer to have a properly grounded, 3-prong wall receptacle installed by a qualified electrician.

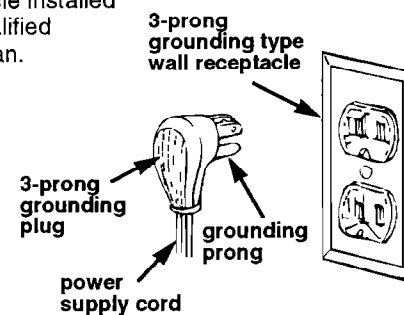


Figure 1

Gas supply requirements

Observe all governing codes and ordinances.

⚠ WARNING

Fire Hazard

- Cooktop must be connected to a regulated gas supply.
 - Do Not use an open flame to test for leaks from gas connections.
 - New, A.G.A. design-certified, flexible gas line should be used when codes permit.
- Failure to follow these instructions could result in a fire, explosion or personal injury.

A. This installation instruction must conform with local codes and ordinances. In the absence of local codes, installations must conform with American National Standard, National Fuel Gas Code ANSI Z223.1 — latest edition.**

B. Input ratings shown on the serial/rating plate are for elevations up to 2,000 feet. For elevations above 2,000 feet, ratings are reduced at a rate of 4% for each 1,000 feet above sea level.

C. This cooktop is equipped for use with NATURAL gas. It is design-certified by A.G.A. for Natural and L.P. gases with appropriate conversion. The serial/rating plate, located on the bottom of the cooktop, has information on the type of gas that can be used. If this information does not agree with the type of gas available, see your KitchenAid dealer or authorized parts distributor.

D. Provide a gas supply line of 3/4" rigid pipe to the cooktop location. A smaller size pipe on long runs may result in insufficient gas supply. Pipe-joint compounds, made for use with NATURAL and L.P. gas, must be used.



E. If local codes and ordinances permit, design-certified, flexible metal tubing is recommended for connecting this cooktop to the gas supply line. Do Not kink or damage the flexible tubing when moving the cooktop. A 3/8" male pipe thread is needed for connection to pressure regular female pipe threads.

Electrical requirements

⚠ WARNING

Electrical Shock Hazard

- Electrical ground is required on this appliance.
 - If cold water pipe is interrupted by plastic, non-metallic gaskets or other insulating materials, Do Not use for grounding.
 - Do Not ground to a gas pipe.
 - Do Not modify the power supply cord plug. If plug will not fit the outlet, have a proper outlet installed by a qualified electrician.
 - Do Not have a fuse in the neutral or grounding circuit. A fuse in the neutral or grounding circuit could result in an electrical shock.
 - Do Not use an extension cord with this appliance.
 - Check with a qualified electrician if you are in doubt as to whether the appliance is properly grounded.
- Failure to follow these instructions could result in serious injury or death.

If codes permit and a separate grounding wire is used, it is recommended that a qualified electrician determine that the grounding path is adequate.

A 120-volt, 60-Hz, AC-only, 15-or 20-ampere, fused electrical supply is required. A time-delay fuse or circuit breaker is recommended. It is recommended that a separate circuit serving only this appliance be provided.

Electronic ignition systems operate within wide voltage limits, but proper grounding and polarity is necessary. In addition to checking that the outlet provides 120-volt power and is correctly grounded, the outlet must be checked by a qualified electrician to see if it is wired with correct polarity. A wiring diagram is provided on the back cover.

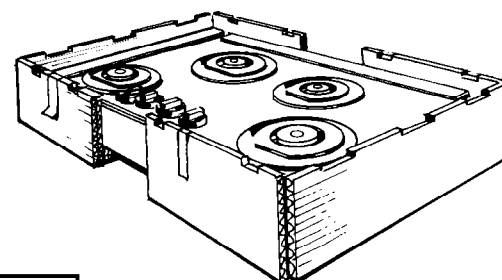
Now start...

With cooktop in kitchen.

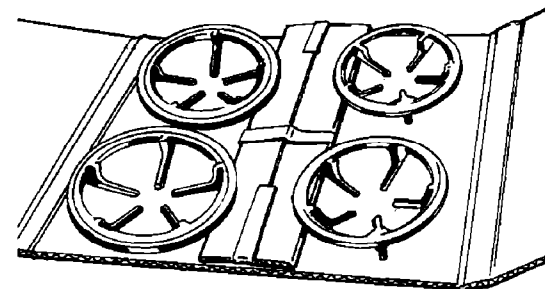
⚠ CAUTION

Property Damage

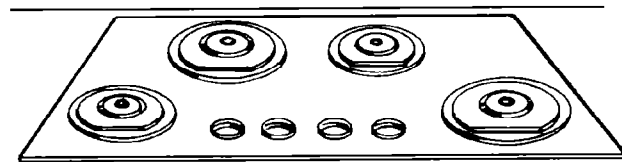
Lift entire cooktop up from cutout when repositioning cooktop in countertop opening. Failure to do so could scratch countertop.



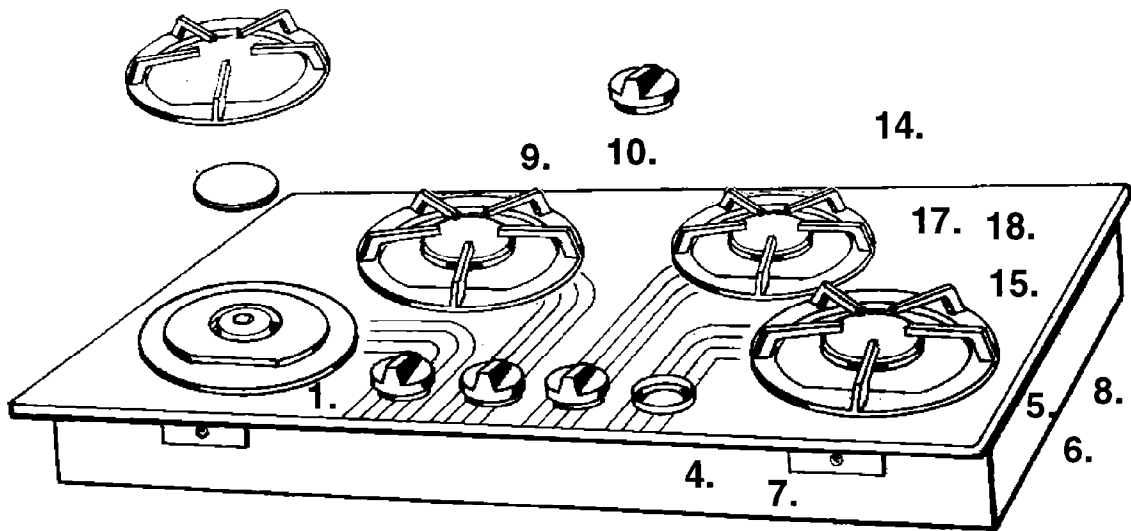
1. Remove shipping materials and tape from cooktop. Remove pressure regulator and hardware package from side of carton.



2. Remove cooktop, burner grates and caps package from shipping box.

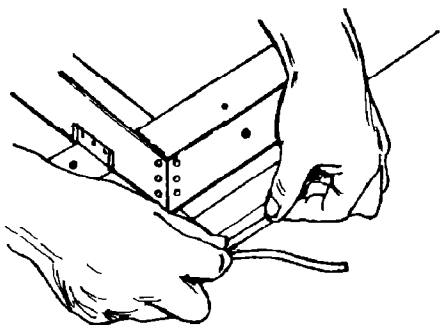


3. Insert cooktop into countertop opening. Center the cooktop in the cutout. Check that front edge of cooktop is parallel to front edge of countertop. Check that all required clearances are met. Use a pencil to outline the rear of the cooktop on the countertop. Remove the cooktop from the cutout and place upside down on a protected surface.



Numbers correspond to steps.

- 4.** If the depth of your cutout is 19-1/2" or less, go to Step 5.
 If the depth of your cutout is larger than 19-1/2", insert four, 1-1/4" centering screws in the holes on the front and back of the cooktop burner box. Measure the distance from the penciled outline on the countertop to the edge of the cutout. Mark the same distance on the underside of the cooktop from the edge in toward the rear centering screws. Adjust the rear centering screws to the marks. Do Not adjust the front centering screws at this time.



- 5.** Remove the paper backing from a small section of the foam sealing strip. Place the strip 1/8" from cooktop edge on the underside of the glass. Continue until foam strip completely outlines the edge of the cooktop. Do Not use additional sealant around outer edge of cooktop.

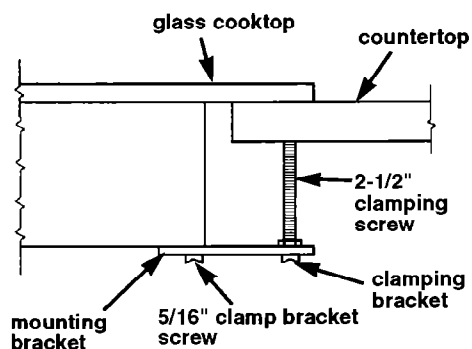


- 6.** Attach the mounting brackets to each side of the burner box with the 5/16" screws. Do Not tighten the screws. Turn the mounting brackets so each is under the burner box.

- 7.** Insert cooktop into cutout and align with pencil outline. Check that cooktop is parallel to front edge of countertop. Lift entire cooktop to make adjustments so the foam sealing strip can seal properly. If you used centering screws, adjust the front centering screws until cooktop is held tightly in the cabinet.

WARNING

Fire Hazard
 Do Not overtighten screws.
 Overtightening screws could damage cooktop surface.

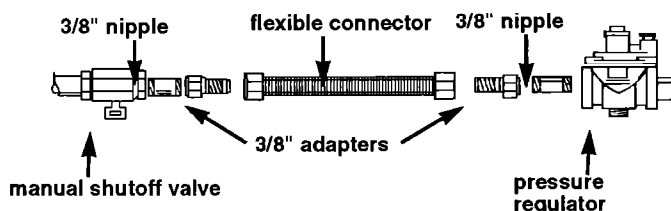


- 8.** Rotate mounting brackets away from burner box. Tighten the mounting brackets to the burner box. Insert the 2-1/2" clamping screws into the mounting brackets. Use a screwdriver to tighten screws against the underside of countertop. Remove pencil outline from countertop.

- 9.** Install the pressure regulator with the arrow on the regulator pointing up toward unit and in a position where you can reach the access cap.

WARNING

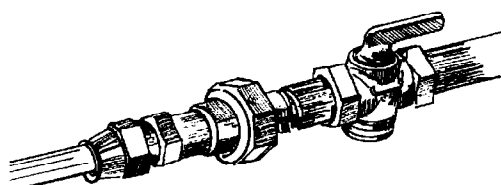
Fire Hazard
 Do Not make connection too tight. The regulator is die cast.
 Overtightening may crack regulator resulting in a gas leak and possible fire or explosion.



All connections must be wrench-tightened.

- 10.** Assemble the flexible connector from the gas supply pipe to the pressure regulator in order: manual shutoff valve, 3/8" nipple, 3/8" adapter, flexible connector, 3/8" adapter, and 3/8" nipple.

- 11.** Use pipe-joint compound made for use with NATURAL and L.P. gas to seal all gas connections. If flexible connectors are used, be certain connectors are not kinked.



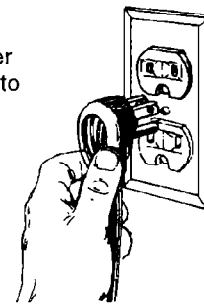
- 12.** Open the shutoff valve in the gas supply line. Wait a few minutes for gas to move through the gas line.

WARNING

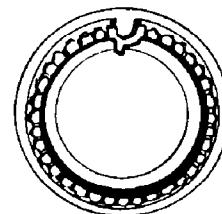
Fire Hazard
 Do Not use an open flame to test for leaks from gas connections.
 Checking for leaks with a flame may result in a fire or explosion.

- 13.** Use a brush and liquid detergent to test all gas connections for leaks. Bubbles around connections will indicate a leak. If a leak appears, shut off gas valve controls and adjust connections. Then check connections again. **NEVER TEST FOR GAS LEAKS WITH A MATCH OR OTHER FLAME.** Clean all detergent solution from cooktop.

- 14.** Plug the power supply cord into the grounded outlet.



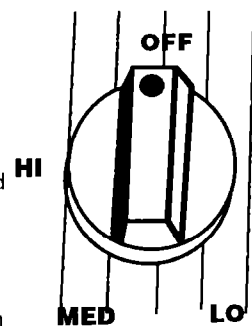
- 15.** Place burner grates over burners and caps. Install control knobs on valve stems.



Electronic Ignition System-initial lighting

Cooktop burners use electronic igniters in place of standing pilots. When the cooktop control knob is turned to the "HI" position, the system creates a spark to light the burner. This sparking continues until the burner ignites.

- 16.** Check the operation of the cooktop burners. Push in and turn each control knob to "HI" position. The flame should light within 4 seconds. If burners do not light properly, turn control knob to the "OFF" position. Check that burner cap is in the proper position. Check that power supply cord is plugged in and that the circuit breaker or house fuse has not blown. Check that the shutoff valve is in the "ON" position. Check operation again. If a burner does not light at this point, contact your KitchenAid dealer for assistance.



- 17.** Check each cooktop burner for proper flame. The small inner cone should have a very distinct blue flame approximately 1/2" long. The outer cone is not as distinct as the inner cone.



- 18.** Push in and turn each control knob to the "LO" (or simmer) setting. The "LO" setting of each burner has been factory set to the lowest setting available to provide reliable reignition of the burner. If it does not stay lit on the "LO" setting, contact your KitchenAid dealer for assistance.

To get the most efficient use from your new cooktop, read your KitchenAid Use and Care Guide. Keep Installation Instructions and Guide close to cooktop for easy reference.

L.P. gas conversion

No attempt shall be made to convert the appliance from the gas specified on the serial/rating plate for use with a different gas without consulting the servicing gas supplier. Conversion must be done by a service technician. Conversion Kit No. 4175385 is available from your KitchenAid dealer or authorized parts distributor.

If cooktop does not operate...

Check that the circuit breaker is not tripped or house fuse blown. Check that power supply cord is plugged into wall receptacle. Check that gas valves are turned to the "ON" position.

A more detailed troubleshooting checklist is provided in the Use and Care Guide.

If you need assistance...

The KitchenAid Consumer Assistance Center will answer any questions about operating or maintaining your cooktop not covered in the Installation Instructions. The KitchenAid Consumer Assistance Center is open 24 hours a day, 7 days a week. Just dial, 1-(800) 422-1230 — the call is free.

When you call, you will need the cooktop model number and serial number. Both numbers can be found on the serial/rating plate located on the bottom of the cooktop burner box.

If you need service...

In the event that your KitchenAid appliance should need service, call the dealer from whom you purchased the appliance or a KitchenAid-authorized service company. A KitchenAid-authorized service company is listed in the Yellow Pages of your telephone directory under "Appliances — Household — Major — Service or Repair". You can also obtain the service company's name and telephone number by dialing, free, within the continental United States, the KitchenAid Consumer Assistance Center telephone number, 1-(800) 422-1230. A special operator will tell you the name and number of your nearest KitchenAid-authorized service company.

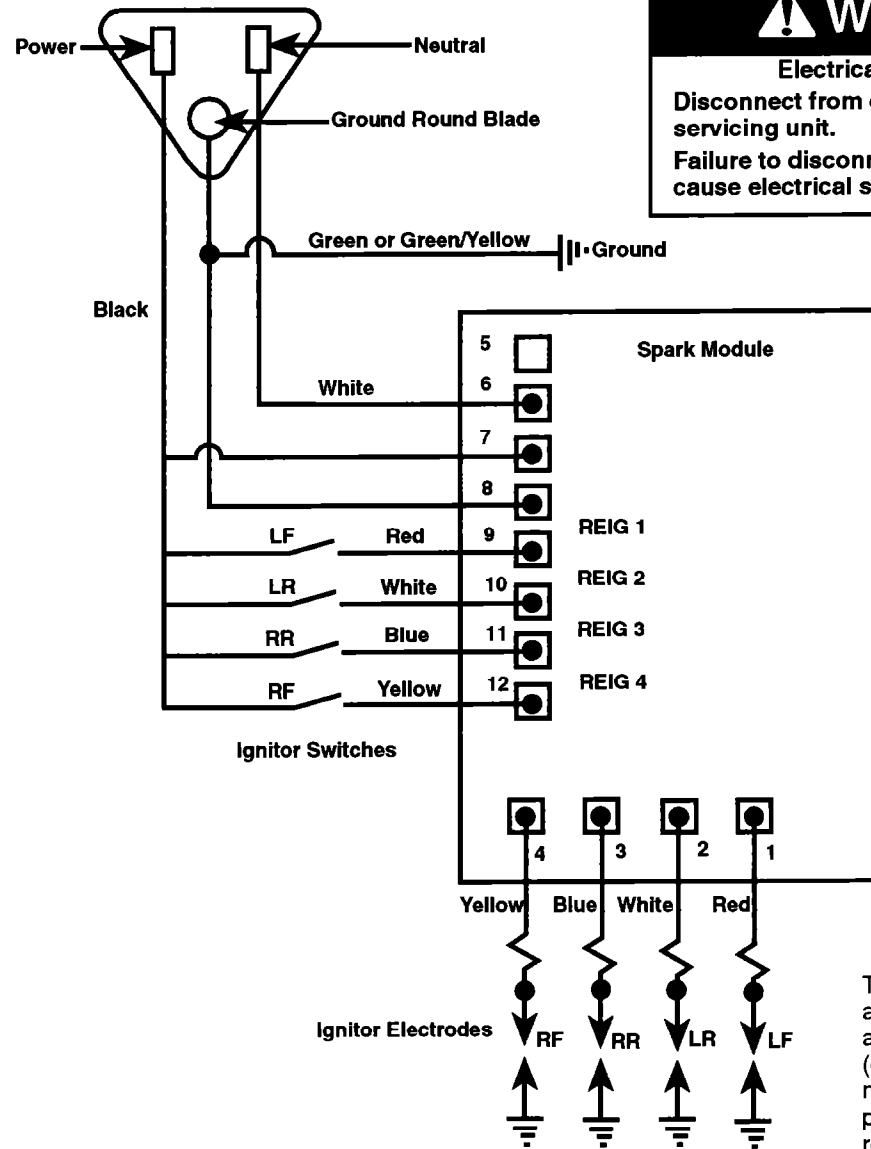
Maintain the quality built into your KitchenAid appliance — call a KitchenAid-authorized service company.

Part No. 3177316 Rev. D

©1993 KitchenAid.

®Registered Trademark of KitchenAid.

Wiring diagram



⚠ WARNING

Electrical Shock Hazard

Disconnect from electrical supply before servicing unit.

Failure to disconnect power supply may cause electrical shock.

The power cord on this appliance is equipped with a three-pronged (grounding) plug which mates with standard three-pronged (grounded) wall receptacles.

KitchenAid®

Prepared by KitchenAid, St. Joseph, Michigan 49085



Printed on recycled paper.
10% post consumer waste/
50% recovered materials.

Printed in U.S.A.