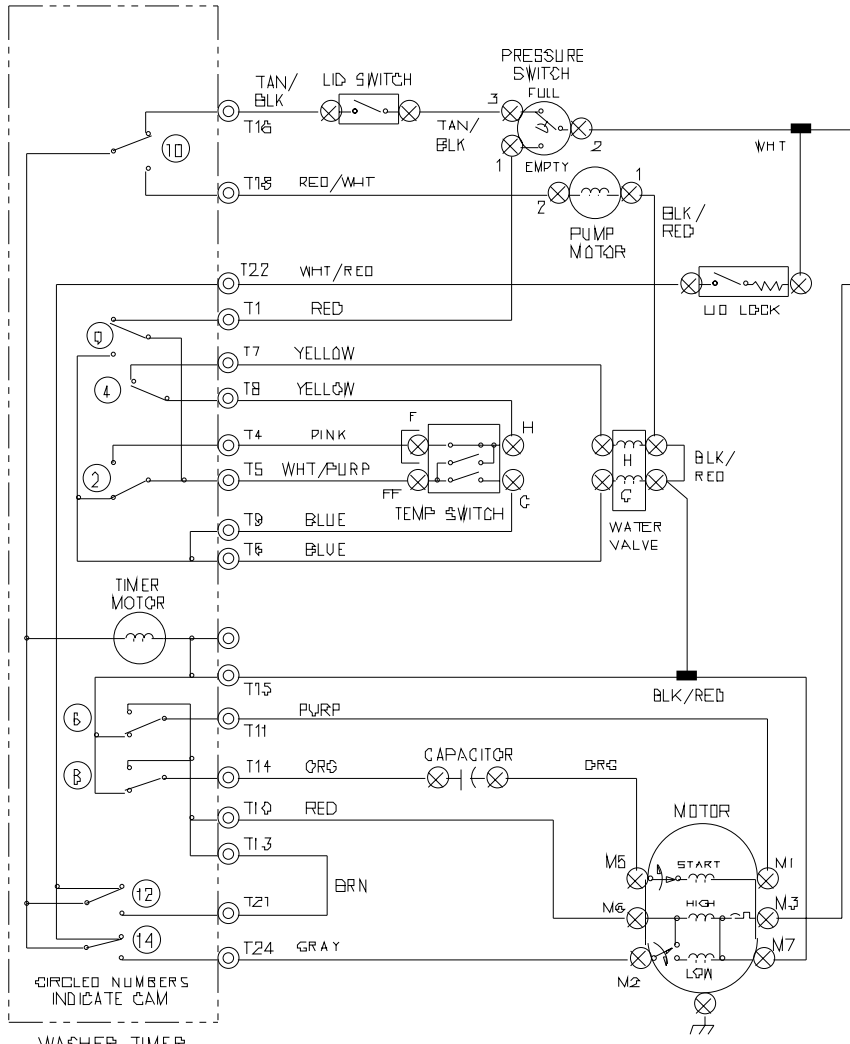
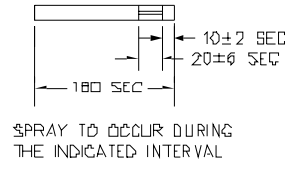


CAUTION: DISCONNECT ELECTRIC CURRENT BEFORE SERVICING

CAM	CIRCUIT	REGULAR				OFF	EX. RINSE		OFF	PERM. PRESS				OFF	KNITS & DELICATE				OFF	SOAK		PREWASH		OFF			
		WASH (15 MIN)	PUMP (8 MIN)	RINSE (8 MIN)	PUMP (16 MIN)		PUMP (8 MIN)	PUMP (8 MIN)		RINSE (8 MIN)	PUMP (8 MIN)	WASH (6 MIN)	PUMP (8 MIN)		RINSE (8 MIN)	PUMP (8 MIN)	WASH (3)	SOAK (12 MIN)		WASH (3)	PUMP (8 MIN)						
0	2	1	T	FILL CONTROL																							
		3	B	NOT USED																							
2	5	4	T	WASH FILL																							
		6	F	RINSE FILL																							
4	8	7	T	WATER TEMP																							
		9	B																								
		10	T	SPIN DIR																							
6	11	12	B	AGITATE DIR																							
		13	T	AGITATE DIR																							
8	14	15	F	SPIN DIR																							
		16	T	AGIT CONTROL																							
10	17	18	B	PUMP																							
		19	T	SPIN CONTROL																							
12	20	21	F	HIGH SPEED MOTOR																							
		22	T	SPIN CONTROL																							
14	23	24	B	LOW SPEED MOTOR																							



SUBINTERVAL SPRAY DETAIL



WIRING CODES

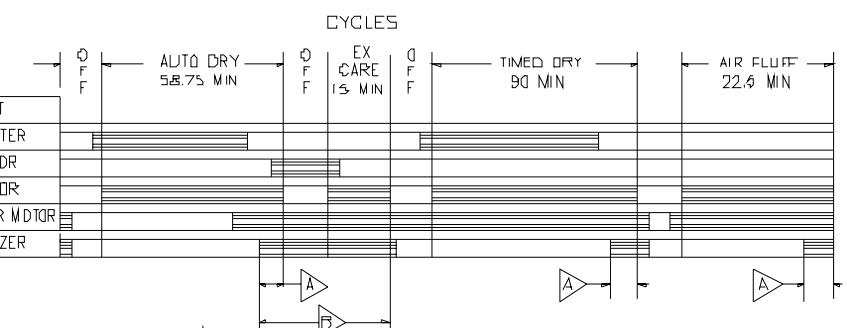
- ⊙ PLUG IN TIMER TERMINAL
- ⊗ QUICK DISCONNECT TERMINAL
- SCREW TERMINAL
- CONNECTION
- + NO CONNECTION
- ⊗ MOTOR SWITCH
- SPURGE
- MOTOR PROTECTOR
- CHASSIS (CABINET) GROUND
- HARNESS CONNECTOR TERMINAL
- ⊗ INSULATED TERMINAL

- NOTES:
- ALL WIRING MUST CONFORM TO LOCAL ELECTRICAL CODES.
 - CONNECT DRYER TO 30 AMP INDIVIDUAL BRANCH CIRCUIT.
 - DRYER TIMER SHOWN IN OFF POSITION DOOR SWITCH CLOSED, MOTOR AT REST, THERMISTAT CLOSED, AND FABRIC SELECTOR SWITCH AT HIGH HEAT.
- WASHER TIMER SHOWN IN ON POSITION TEMPERATURE SELECTOR SWITCH AT HOT WASH/COLD RINSE, AND PRESSURE SWITCH FULL.

TEMPERATURE SWITCH CIRCUIT

WASH/RINSE	F-H	FF-H	FF-C
HOT/COLD	X	⊙	⊙
WARM/WARM (OPT)	⊙	X	X
COLD/COLD	⊙	⊙	X
WARM/COLD	X	⊙	X

X=CLOSED ⊙=OPEN



THE BAR CHART ABOVE REPRESENTS ONE COMPLETE REVOLUTION OF TIMER SHAFT.

SHADED PORTION OF BAR CHART INDICATES THE PROPORTIONAL TIMES THAT INTERNAL TIMER CONTACTS ARE CLOSED.

- BUZZER
- A CIRCUIT "X-H" WILL CLOSE FOR 5 SEC ± 3 SEC 1 TO 2 TIMES IN THIS AREA, WHEN 2 CLOSURES OCCUR THEY WILL BE 5 MIN. APART.
 - B CIRCUIT "X-H" WILL CLOSE FOR 5 SEC ± 3 SEC 5 TO 7 TIMES IN THIS AREA, THE CLOSURES WILL BE 5 MINUTES APART.

FABRIC SELECTOR SWITCH

POSITION	FUNCTION	RESISTANCE (4-5)
1	HIGH	OPEN CIRCUIT
2	MEDIUM	1.5KΩ ± 5%
3	MEDIUM/LOW	750Ω ± 5%
4	LOW	100 MAX

