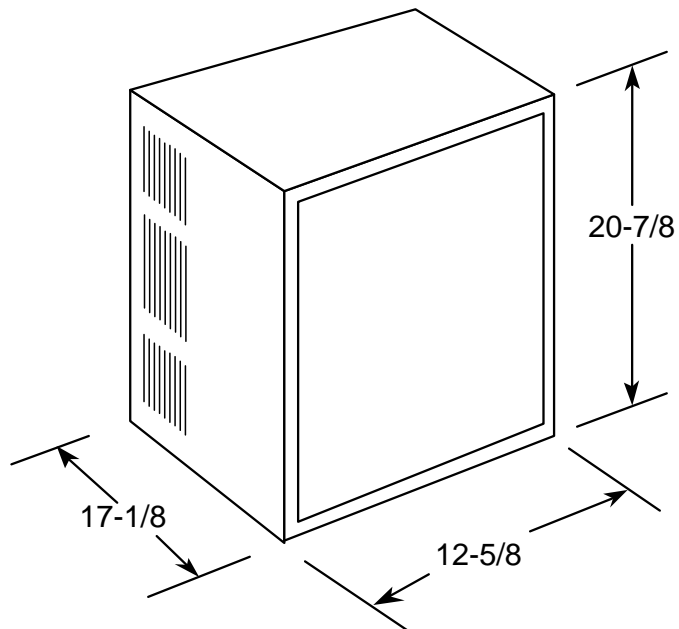




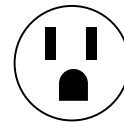
**GE Appliances**

## AHG30LA—GE Energy Star® 115 Volt Dehumidifier

**Wall Case Dimensions (in inches)**



Parallel



115V  
15 Amp

**Wall Outlets:** All wiring, including installation of receptacle, must be made in accordance with local electrical codes and regulations. Electrical outlet should be in reach of line cord.

**Note:** Aluminum building wiring may pose special problems—consult a qualified electrician.

**Specification Created 5/01**

For answers to your Monogram®, GE Profile™ or GE appliance questions, visit our website at [GEAppliances.com](http://GEAppliances.com) or call GE Answer Center® service, 800.626.2000.



Total volume and shelf area are calculated by the Association of Home Appliance Manufacturers' standards.

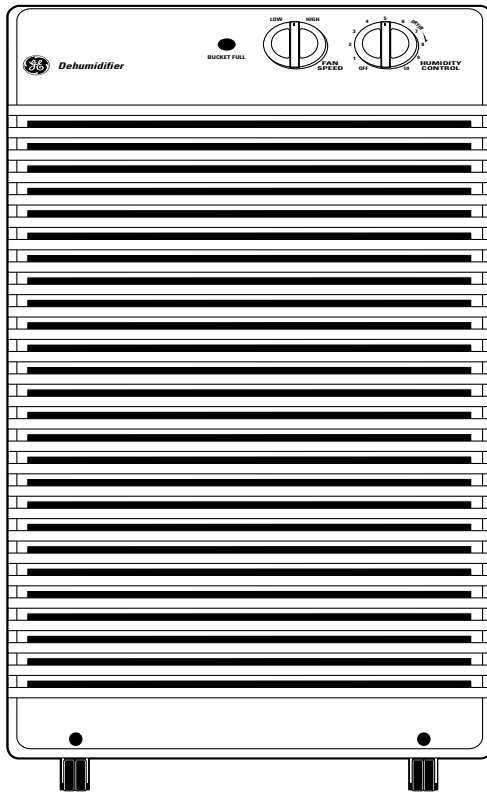


Listed by Underwriters Laboratories



**GE Appliances**

## **AHG30LA–GE Energy Star® 115 Volt Dehumidifier**



### **Features and Benefits**

- 30 Dehumidification (pints/day)
- Removable Bucket with Handle (21 pints capacity)
- Automatic Defrost
- Automatic Humidistat
- Automatic Shut-Off
- Water Full Indicator
- 2 Fan Speeds
- 140 (CFM) Dry Airflow
- Plug Type - Parallel
- 480 Watts/5.8 Amps/115 Volts
- 10 (Amps) Circuit Size
- External Drain Connector
- 4 Movable Casters
- Model AHG30LA