



Undercounter Dishwasher

PRODUCT MODEL NUMBERS

DU400SWK	DU840SWL	DU915PWK	DU951PWK
DU600PWK	DU850SWK	DU920PWK	DU955PWK
DU620PWK	DU850SWL	DU930PWK	DU960PNK
DU800SWK	DU890SWK	DU940PWK	DU960PWK
DU810SWK	DU890SWL	DU941PWK	DU963PWK
DU810SWL	DU900PWK	DU943PWK	DUL100PK
DU811SWK	DU909PWK	DU945PWK	DUL200PK
DU811SWL	DU910PWK	DU948PWK	GU970PNL
DU840SWK	DU911PWK	DU950PWK	

Electrical: 120-volt, 60-Hz, AC-only, 15- or 20-amp. electrical supply. Use copper wire only. A time-delay fuse or circuit breaker and separate circuit is recommended.

Water: A hot water line with 20-120 psi (138-862 kPa) water pressure. Water temperature must be 120°F (49°C) at dishwasher. Use 3/8" O.D. copper tubing with compression fitting or flexible stainless steel braided fill line (1/2" minimum plastic tubing is optional but not recommended). Use a 90° elbow with 3/8" N.P.T. external pipe threads on one end to connect to water inlet valve. Do not solder within 6" (15.2 cm) from water inlet valve.

Drain: Use the new drain hose supplied with your dishwasher. If this is not suitable, use a new drain hose with a maximum length of 12 feet (3.7 m) that meets all current AHAM/IAPMO test standards, is resistant to heat and detergent, and fits the drain connector of the dishwasher. Must have a high drain loop 20 inches (50.8 cm) above the subfloor or floor. Connect drain hose to waste tee or disposer inlet above drain trap in house plumbing and 20 inches (50.8 cm) minimum above the floor. An air gap must be used if the drain hose is connected to house plumbing lower than 20 inches (50.8 cm) above subfloor or floor. Use 1/2" minimum I.D. drain line fittings.

Corner installation: Allow 2" (5.1 cm) minimum between corner wall and dishwasher opening.

Grommet is required for electrical cable or power supply cord hole cut in a metal cabinet.

Do NOT install dishwasher over carpeted floor.

Accepts custom door panels:

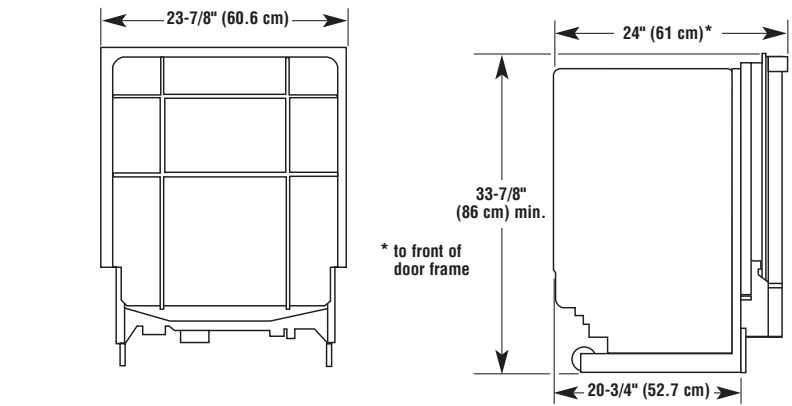
DU800SWKU, DU810SWKU, DU811SWKU

Accepts custom door and access panels:

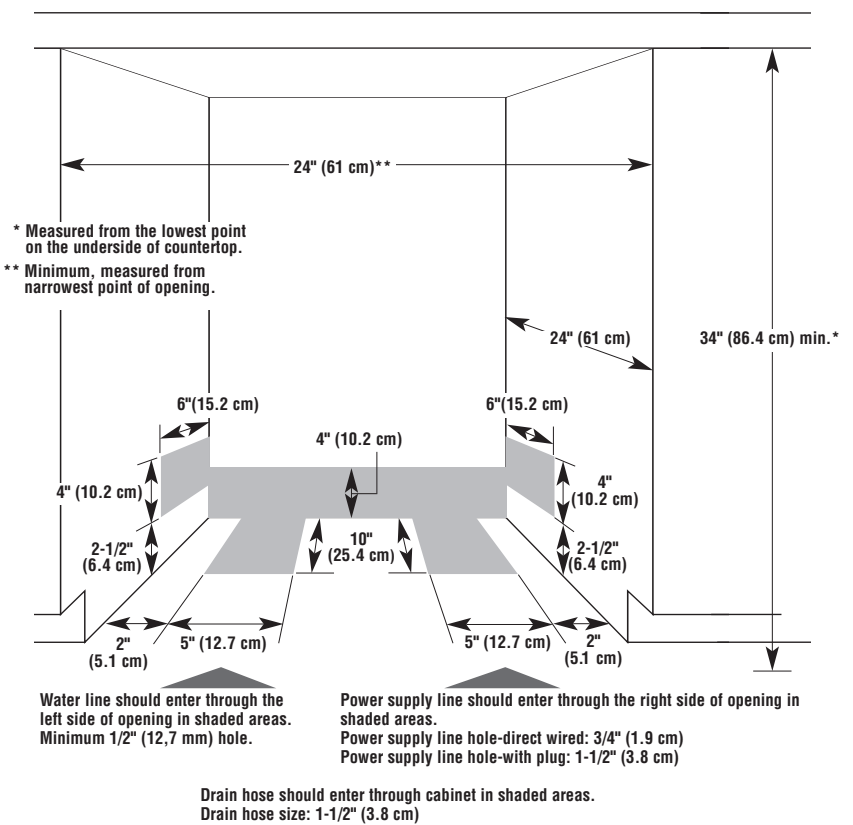
DU840SWKU, DU890SWKU,

Other models require trim kits in order to add custom panels. The panels must be made to the dimensions supplied with the trim kit.

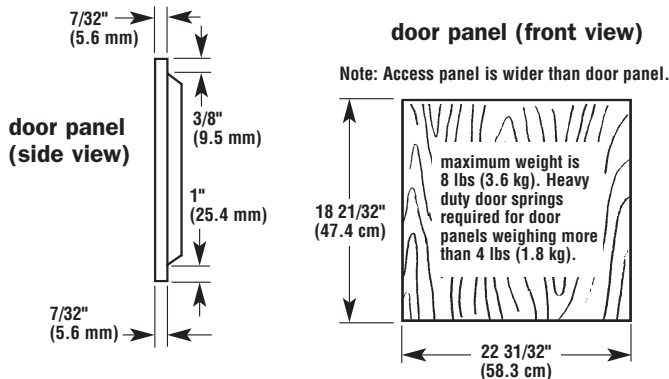
OVERALL DIMENSIONS



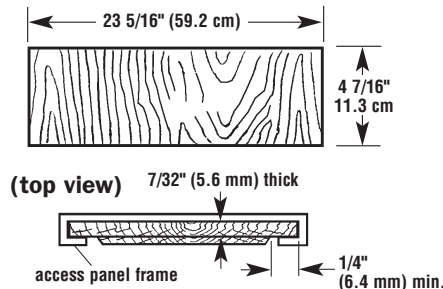
CABINET OPENING DIMENSIONS



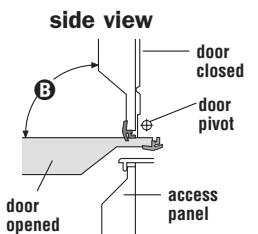
CUSTOM FRONT PANEL DIMENSIONS



access panel (front view)
All edges routed to 7/32" (5.6 mm) thickness.
Note: This panel is wider than the door panel.



Cut door panel to clear access panel when door is in open position $\text{\textcircled{B}}$.



Because Whirlpool Corporation policy includes a continuous commitment to improve our products, we reserve the right to change materials and specifications without notice.

Dimensions are for planning purposes only. For complete details, see Installation Instructions packed with product. Specifications subject to change without notice.

Ref. 3385181
07-23-03