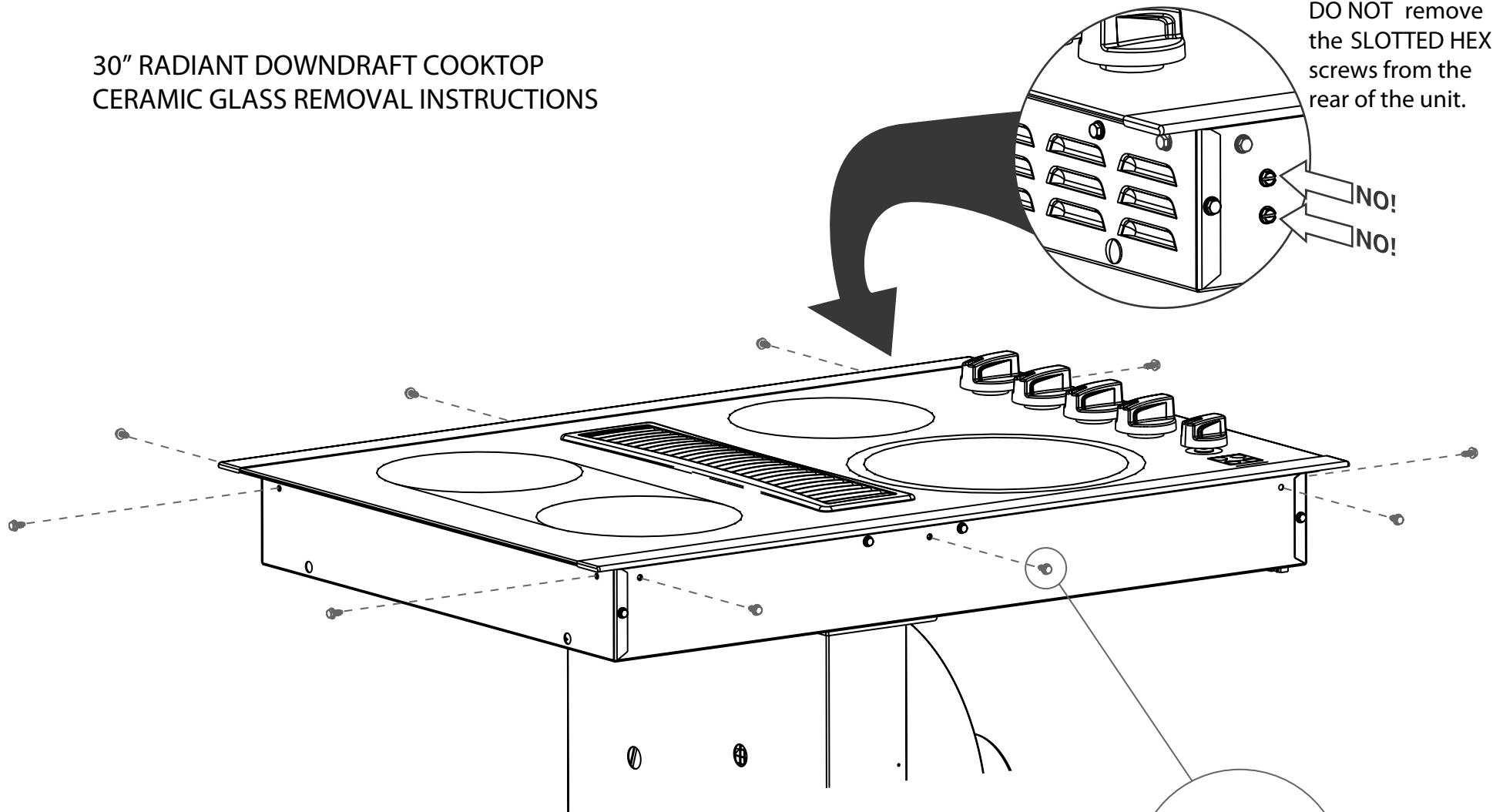


30" RADIANT DOWNDRAFT COOKTOP CERAMIC GLASS REMOVAL INSTRUCTIONS



TO REMOVE THE CERAMIC GLASS FOR SERVICE:

1. REMOVE THE (10) SILVER/ZINC HEX HEAD SCREWS FROM THE PERIMETER OF THE BURNER BOX. DO NOT REMOVE THE BLACK HEX SCREWS OR TWO SLOTTED HEX SCREWS.
2. CAREFULLY LIFT THE GLASS/TRIM ASSEMBLY FROM THE BURNER BOX.
3. PLACE THE GLASS/TRIM ASSEMBLY ON CARDBOARD OR OTHER PROTECTIVE SURFACE TO AVOID DAMAGE TO THE GLASS OR THE COUNTERTOP.

NOTE:

1. FOR SERVICE REPLACEMENT OF POWER LEADS TO RADIANT BURNERS, USE 16 GA, 200°C WIRE.
2. FOR SERVICE REPLACEMENT OF POWER LEADS L1 AND L2, USE 14GA, 125°C WIRE.
3. FOR SERVICE REPLACEMENT OF LAMP POWER AND CONTROL LEADS IN BURNER AREA USE 18GA, 200°C WIRE. FOR ALL OTHER LAMP POWER AND CONTROL LEADS USE 18GA, 125°C WIRE.
4. FOR SERVICE REPLACEMENT OF POWER LEADS USED FOR BLOWER CONTROL USE 18GA, 125°C WIRE.

WIRING DIAGRAM / SCHEMATIC DIAGRAM

KENMORE DOWNDRAFT RADIANT MODELS: 790.44113110, 790.44119110

WARNING
POWER MUST BE DISCONNECTED
BEFORE SERVICING APPLIANCE

