



Top Mount Refrigerator

PRODUCT MODEL NUMBERS

ER6AHKXS	W6RENGFW
ER8AHKXR	W8RXEGMV
ER8AHMXR	W8RXEGMW
ER8YHMXS	W8RXNGMB
	W8RXNGMW

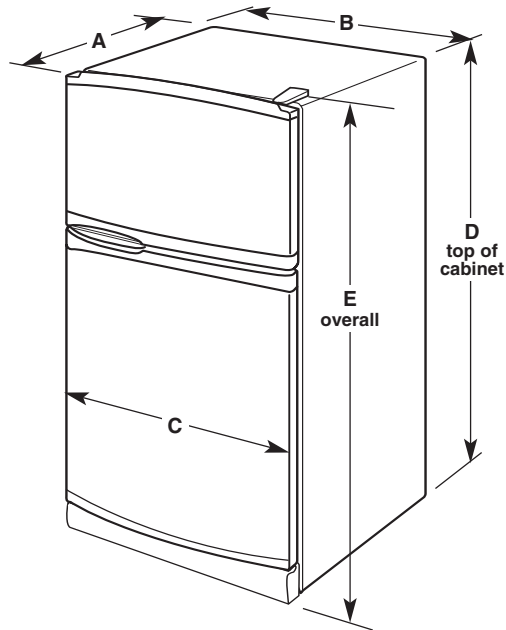
Electrical: A 115-volt, 60-Hz, AC-only, 15- or 20-amp fused, grounded electrical supply is required. It is recommended that a separate circuit serving only your refrigerator be provided. Use an outlet that cannot be turned off by a switch. Do not use an extension cord.

Water: A cold water supply with water pressure between 30 and 120 psi (207 and 827 kPa) is required to operate ice maker and water dispenser. If you have questions about your water pressure, call a licensed, qualified plumber.

IMPORTANT: The pressure of the water coming out of a reverse osmosis system going to the water inlet valve of the refrigerator needs to be between 30 and 120 psi (207 and 827 kPa).

Reverse Osmosis Water Supply: If a reverse osmosis water filtration system is connected to your cold water supply, the water pressure to the reverse osmosis system needs to be a minimum of 40 to 60 psi (276 to 414 kPa).

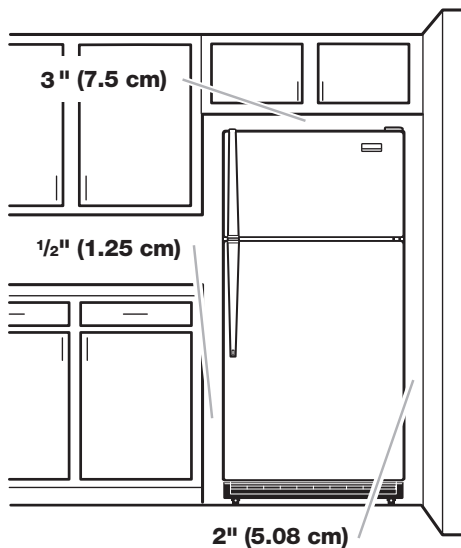
PRODUCT DIMENSIONS



Dimensions "D" and "E" include rollers extended $\frac{3}{4}$ " (1.9 cm)

Model Size	Depth "A"	Cab. Width "B"	Door Width "C"	Cab. Height "D"	Overall Height "E"
16 cu. ft. ER6AHKXS W6XNGFW	30 $\frac{3}{8}$ " (77.2 cm)	28" (71.1 cm)	28 $\frac{1}{8}$ " (71.4 cm)	65 $\frac{3}{8}$ " (166.1 cm)	66" (167.6 cm)
18 cu. ft. ER8AHKXR ER8AHMXR ER8YHMXS	30 $\frac{7}{8}$ " (78.4 cm)	28" (71.1 cm)	28 $\frac{1}{8}$ " (71.4 cm)	67 $\frac{3}{8}$ " (171.1 cm)	68" (172.7 cm)
18 cu. ft. W8RXEGMV W8RXEGMW W8RXNGMW W8RXNGMB	30 $\frac{3}{8}$ " (77.15 cm)	28" (71.1 cm)	28 $\frac{1}{8}$ " (71.4 cm)	67 $\frac{3}{8}$ " (171.1 cm)	68" (172.7 cm)

LOCATION REQUIREMENTS



To ensure proper ventilation for your refrigerator, allow for a $\frac{1}{2}$ " (1.25 cm) space on each side. Allow 3" (7.5 cm) of space between overhead cabinets and refrigerator top. Allow at least 1" (25.40 mm) between back of cabinet and the wall. If your refrigerator has an ice maker, make sure you leave some extra space at the back for the water line connections.

If you are installing your refrigerator next to a fixed wall, leave 2" (5.08 cm) minimum on the hinge side (depending on your model) to allow for the door to swing open.

NOTE: It is recommended that you do not install the refrigerator near an oven, radiator, or other heat source, nor in a location where the temperature will fall below 55°F (13°C).