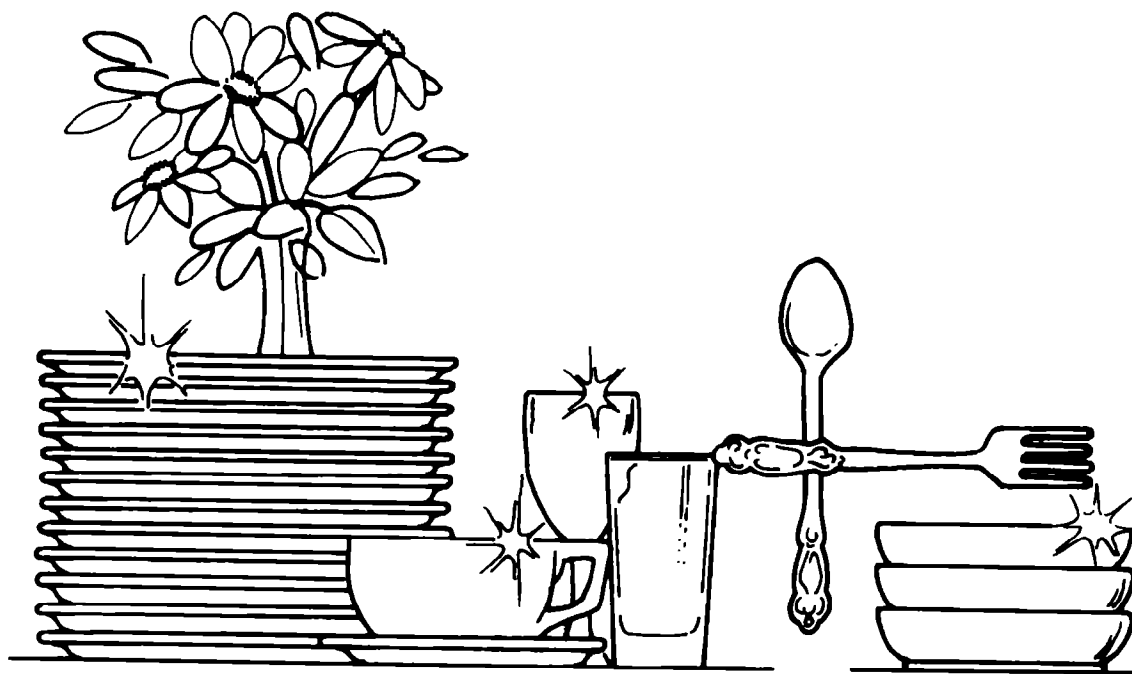


# USE & CARE

of your new **ROPER** automatic dishwasher

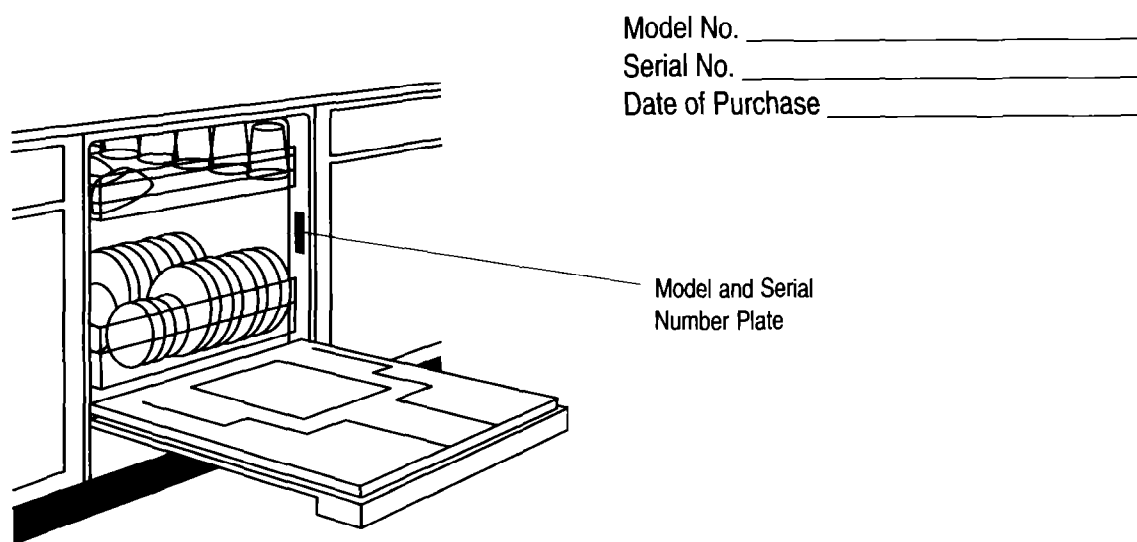


## Dear Customer...

Please take a few minutes to read this book. It contains information and suggestions to help you get the best results from your **ROPER** dishwasher.

Should you encounter a problem with your dishwasher, please check the Common Dishwashing Problems and Solutions section of this book. It contains helpful information solutions to problems you can correct yourself.

Please fill in the information requested below and save for future reference.



## Table of Contents

Important Safety Instructions .....	3
About Your Dishwasher .....	4
For Best Results .....	5
Energy and Water Saving Tips .....	5
Loading Your Dishwasher .....	6,7
Silverware Basket .....	7
Operating Instructions .....	8
Detergent Dispenser .....	9
How to Add a Dish During a Cycle .....	9
Common Dishwashing Problems and Solutions .....	10
Normal Operation .....	10
User Maintenance Instructions .....	11
Warranty .....	12

# Important Safety Instructions

**WARNING: PLEASE FOLLOW BASIC PRECAUTIONS, INCLUDING THE FOLLOWING...**

## **Read all instructions before operating the dishwasher.**

**ONLY** use detergents and wetting agents recommended for use in a dishwasher. Store detergents and wetting agents in a cool, dry place **OUT OF CHILDREN'S REACH.**

**DO NOT** tamper with controls.

**DO NOT** operate your dishwasher unless all enclosure panels are properly in place.

**ALWAYS** disconnect electrical power to the dishwasher before attempting service.

**DO NOT** allow children to play in or around the dishwasher.

**DO NOT** sit or stand on or abuse the dishwasher's door or racks.

**ALWAYS** load sharp or pointed tableware with their handles up (points down) to avoid injury when reaching into the dishwasher. Load sharp items and knives so they will not damage the door seal.

**DO NOT** wash plastic items unless marked as "Dishwasher Safe" or the equivalent. If an item is not marked, check the manufacturer's recommendations.

**ALWAYS** remove the door of a dishwasher when discarding to prevent accidental entrapment.

**REMEMBER**, only use your dishwasher for its intended purposes.

**WARNING.** Under certain conditions, hydrogen gas may build up in a hot water system that has not been used for two weeks or more. **HYDROGEN GAS IS EXPLOSIVE.** To prevent possible injury or damage, turn on all hot water faucets and allow water to run several minutes **BEFORE** using your dishwasher. **DO NOT** smoke or use any open flame near the faucets while they are open.

## Grounding Instructions

### **Built-In Models**

See the Installation Instructions provided with your dishwasher for important ground information.

### **Portable Models**

This appliance must be grounded. In the event of a malfunction or breakdown, grounding will reduce the risk of electric shock by providing a path of least resistance for electric current. This appliance is equipped with a cord having an equipment-grounding conductor and a grounding plug. The plug must be plugged into an appropriate outlet that is installed and grounded in accordance with all local codes and ordinances.

**DANGER.** Improper connection of the equipment-grounding conductor can result in a risk of electric shock. Check with a qualified electrician or service person if you have any doubts about proper grounding of the appliance. Do not modify the plug provided with your dishwasher. If it will not fit into the outlet, have a proper outlet installed by a qualified electrician.

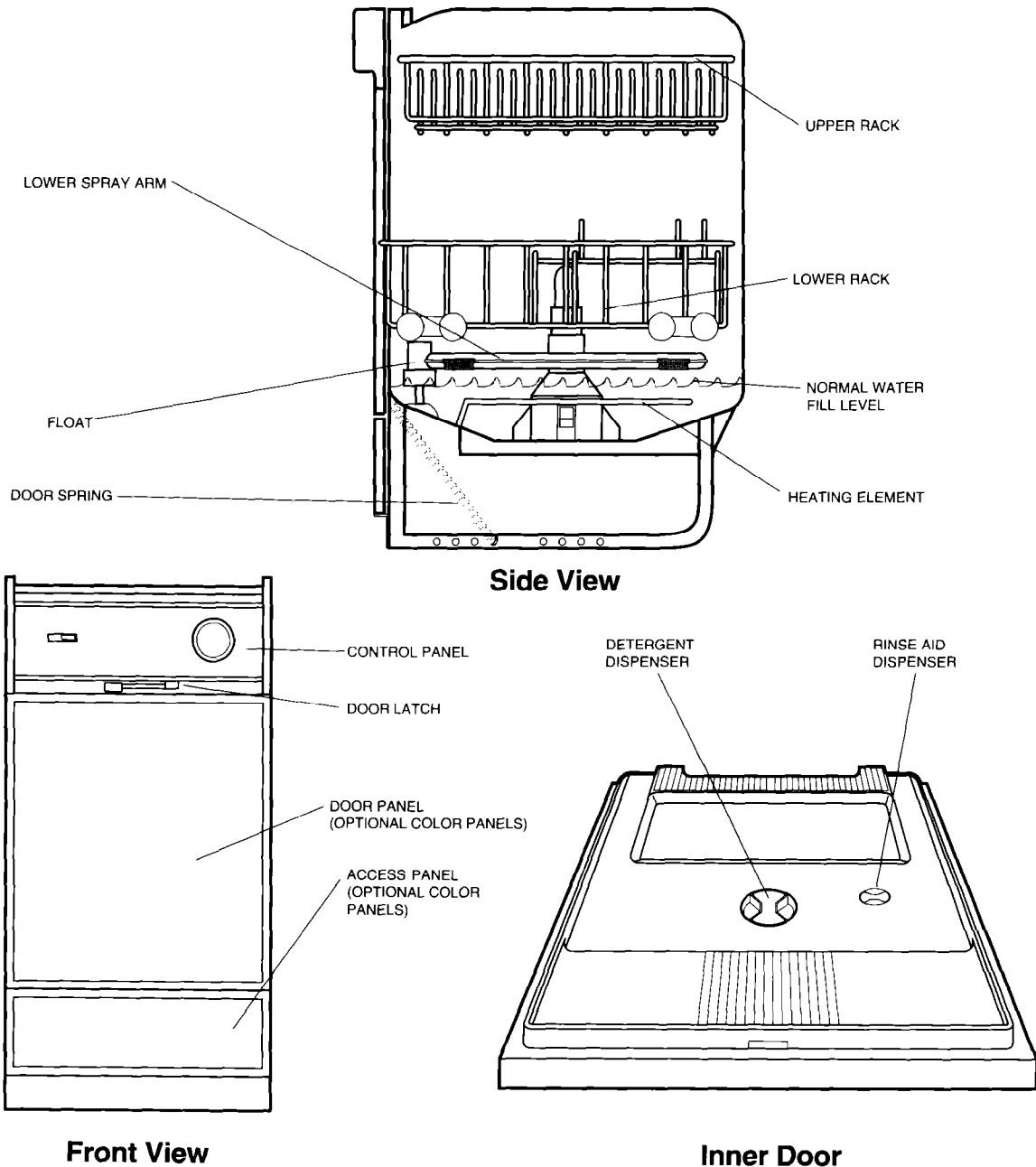
**SAVE THESE INSTRUCTIONS**

# About Your Dishwasher

Your dishwasher cleans by spraying a mixture of hot, clean water and detergent against the soiled surfaces of your dishes and tableware. Each cycle starts with a pre-drain. Next, the dishwasher fills with water to a level slightly above the heating element. This water is constantly pumped through the rotating spray arm and center wash tower and sprayed onto the dishes. Soiled water is pumped out and replaced with clean water during a cycle. The number of water fills depends upon the cycle being used.

## Important Parts and Features of Your Dishwasher

The model you have selected may not have all the features shown.



## For Best Results

### Water Temperature

For best cleaning and drying results, water should be at least 140°F (60°C). You can check the temperature of hot water at your sink with a candy or meat thermometer. Turn on the faucet nearest the dishwasher. Let the water run until it is as hot as possible, then insert the thermometer into the stream of water. If the thermometer reading is below 140°F, have a qualified technician raise your water thermostat setting.

### Water Pressure

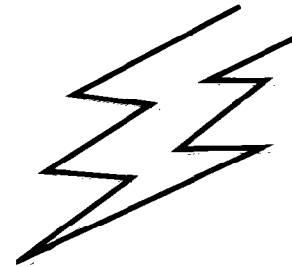
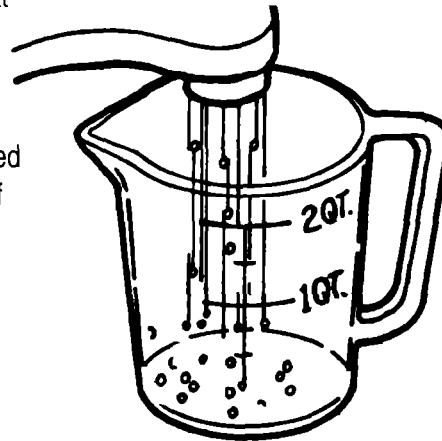
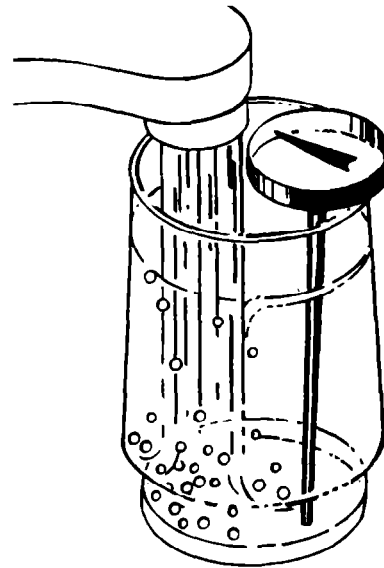
Water pressure should be between 15 and 120 pounds per square inch. To determine if you have enough water pressure, put a ½ gallon container under the fully opened hot water faucet nearest the dishwasher—it should be full in less than 14 seconds. Be sure that all other faucets are shut off during this test.

### Electrical Supply

Your dishwasher should be connected to its own separate grounded circuit. It requires a 15 ampere fuse or circuit breaker protection. If there are other outlets on the dishwasher circuit, do not use them while the machine is operating or you may blow the fuse or trip the circuit breaker.

## Energy and Water Saving Tips

- Wash full loads. Running a half-filled dishwasher uses the same amount of electricity and hot water as a fully-loaded machine.
- Use the LIGHT WASH for lightly soiled loads. It uses less hot water and energy than NORMAL WASH.
- AIR DRY dishes when you do not need a rapid drying cycle. Allow a longer drying period (overnight).
- Load correctly for best washing results. Incorrect loading may cause poor washing and the need to rewash all or part of the load.
- Do not pre-rinse normally soiled dishes. Using the NORMAL WASH cycle with the recommended amount of detergent and proper loading will provide good washing results without hand rinsing.
- Operate your dishwasher during off-peak hours. Local utilities recommend this to avoid heavy usage of energy at certain times of day.



## Loading Your Dishwasher

It is not necessary to rinse dishes before putting them into the dishwasher. Just remove large pieces and quantities of food and bones. Empty cups and glasses. It may be necessary to pre-soak or light scour firmly cooked-on or baked-on foods.

Always load dishes so soiled surfaces are reached by water spray from rotating spray arm or center wash tower. Water must be able to drain off completely for best results. Spray should reach all surfaces of the dishes.

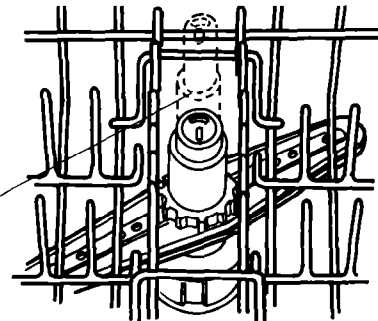
### Lower Rack

- Make sure pot handles and other items do not stop rotation of the lower spray arm or block the center wash tower from extending upward.
- Items with cooked-on or dried-on foods should be loaded in the lower rack with soiled surfaces facing the spray.
- Load cookie sheets, cake pans and other large items at the sides. Do not place them across the front where they will prevent water from reaching the detergent dispenser.
- Place plates, soup bowls, etc. **between** prongs and facing the spray.

**NOTE:**

**DO NOT BLOCK THE CENTER AREA OF THE LOWER RACK WHEN LOADING. BECAUSE THE CENTER WASH TOWER EXTENDS THROUGH THIS AREA, BLOCKAGE MAY RESULT IN POOR CLEANING.**

DO NOT BLOCK CENTER AREA



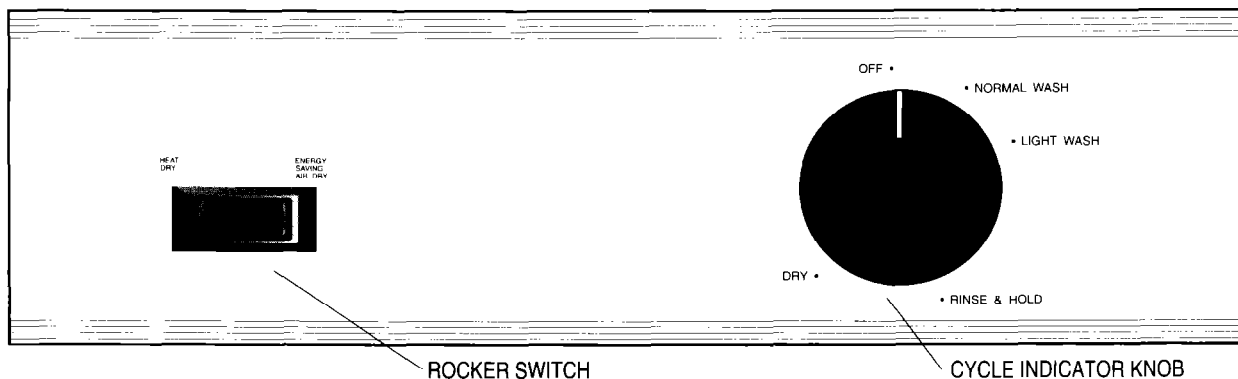
## Upper Rack

- Place items so open ends face down for cleaning and draining.
  - Load glasses in upper rack only. Lower rack is not designed for glasses and damage may occur.
  - Be sure lightweight items are held firmly in place.
  - Load **plastic items** in the **upper rack only**.
- Plastic items may melt in the lower rack. Only items marked "Dishwasher Safe" or equivalent are recommended.
- China, crystal, and other delicate items must not touch other items during the dishwasher's operation. Damage may occur.

## Silverware Basket

- The silverware basket may be loaded either in the lower rack or on the counter top.
- Be sure no items protrude through the holes in the basket or extend high enough to stop the spray arm's rotation.
- Load sharp items with the points down.
- Load silverware so items are mixed in each section to prevent *nesting* (see illustration below). Water spray cannot effectively clean nested items.

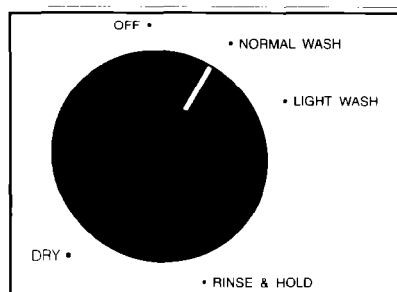
# Operating Instructions: WU0800X



## Starting Your Dishwasher

1. Load dishwasher and add detergent (see page 9).
2. Close the door, but do not latch.
3. Push rocker switch for desired option.
4. Turn the cycle indicator knob clockwise to the desired cycle.
5. Turn on hot water faucet nearest the dishwasher and let run until water is hot.
6. Latch dishwasher door to start cycle.

## Cycles

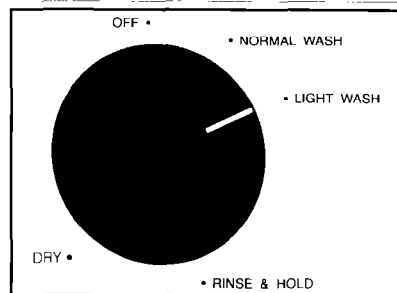


### NORMAL WASH cycle

For normally soiled dishes.

**Cycle Time:** Approx. 73 Min.  
**Water Usage:** Approx. 8.7 Gal.

W	R	W	R	R	D	O
A	I	A	I	I	R	F
S	N	S	N	N		
H	S	H	S	S		
H	E	E	E	E		

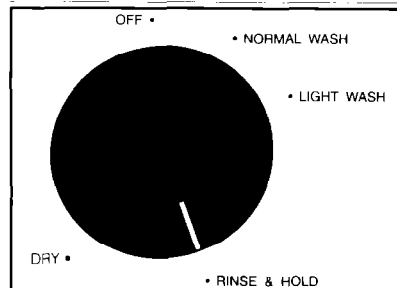


### LIGHT WASH cycle

For pre-rinsed or lightly soiled dishes.

**Cycle Time:** Approx. 66 Min.  
**Water Usage:** Approx. 6.9 Gal.

W	W	R	R	D	O
A	A	I	I	R	F
S	S	N	N		
H	H	S	S		
H	E	E	E		



### RINSE & HOLD cycle

For rinsing dishes that will be washed later. Use the **Air Dry** option. Do not use detergent.

**Cycle Time:** Approx. 47 Min.  
**Water Usage:** Approx. 3.5 Gal.

R	R	O
I	I	F
N	N	
S	S	
E	E	



## Options

HEAT  
DRY

ENERGY  
SAVING  
AIR DRY



### HEAT DRY option

Heater is on for the entire drying period, resulting in drier dishes.

HEAT  
DRY

ENERGY  
SAVING  
AIR DRY



### ENERGY SAVING AIR DRY option

Heater is off during the entire drying period, saving energy. **Note:** If you wish to shorten the drying time and save energy, turn the control knob to **OFF** at the beginning of the dry cycle and open the dishwasher door slightly.

## Changing a Setting

1. Unlatch the door to stop cycle.
2. Turn the cycle indicator knob clockwise to the cycle you want.
3. Be sure the detergent dispenser is filled properly for the new cycle.
4. Latch the door to start the cycle.

## How to Add a Dish During a Cycle

1. Make sure there is a full wash cycle yet to be completed to ensure that any added items are washed and rinsed.
2. Unlatch the door to interrupt the cycle and wait for the water action to stop.
3. Open the door and add the dish.
4. Close and latch the door. The cycle will resume automatically.

## Detergent Dispenser

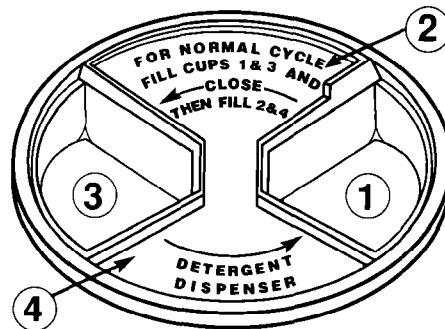
The detergent dispenser will automatically release detergent at the correct time in the cycle. Use granular detergent for best results.

### NORMAL WASH cycle

Fill detergent cups 1 and 3, then cover them by rotating the lid counter-clockwise. Fill detergent cups 2 and 4.

### LIGHT WASH cycle

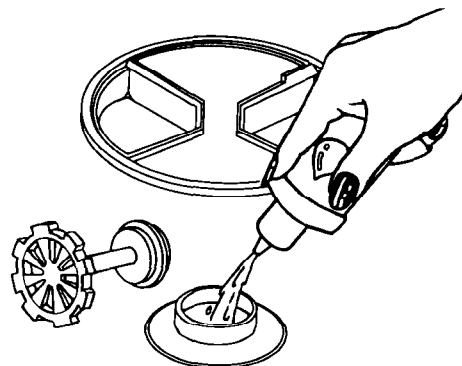
Fill detergent cups 1 and 3, then cover them by rotating the lid counter-clockwise.



## Rinse Aids

Rinse aids promote faster, spot-free drying. Rinse aids are available in liquid and solid form and are available at most supermarkets. The rinse aid dispenser is located inside the dishwasher door. To use:

- Turn the dispenser cap  $\frac{1}{4}$  turn counterclockwise and lift out.
- Pour in rinse aid until liquid touches white cross at bottom of fill opening. Reinsert cap.
- Refill the rinse aid dispenser approximately once a month.



# Common Dishwashing Problems and Solutions

<b>Problem</b>	<b>Solution</b>
<i>Motor noise is heard before water enters the tub.</i>	This is normal. Each cycle starts with a pre-drain before water enters the tub.
<i>Dishes are not clean.</i>	Water temperature is 140°F or higher? Racks loaded properly? Detergent fresh? Water pressure is adequate?
<i>Dishes are not dry.</i>	Water temperature is 140°F or higher? Rinse agent dispenser filled? Items loaded to permit proper drainage?
<i>Water spotting or filming.</i>	Water temperature is 140°F or higher? Racks loaded properly? Water too hard? Correct amount of <b>fresh</b> detergent? Rinse agent dispenser filled?
<i>Rust deposits.</i>	Caused by iron in water. For a permanent solution, install an iron filter in the water line. To remove the deposits: 1. Load the stained items, but do not load silverware or metal items. 2. Run dishes through full cycle using ½ cup citric acid crystals. <b>DO NOT</b> use detergent during this treatment cycle. 3. After treatment, wash load with detergent in full cycle.
<i>Aluminum discoloration.</i>	Certain water conditions, in combination with some detergents, may tend to darken aluminum. Scour all surfaces with a soap-filled pad. Try another detergent.
<i>Black marks on dishes.</i>	Metal items touching or rubbing against dishes during washing. Load such items so they do not touch.
<i>Dish fading.</i>	Decoration which is applied to glazed surface is most susceptible. Consult with manufacturer. If no information is available, as is the case with old china, test wash a piece several times.

## Normal Operation

The following conditions are normal and indicate proper operation.

- A small amount of clean water will remain in the bottom of the tub after each cycle.
- Short time delays occur after a cycle is selected and between washes and rinses.
- The plastic float , located in the left front corner of the tub, is a safety device to prevent overfilling. Never run the dishwasher without the float in place.
- Motor sounds will be heard before water enters the tub.

**COLORED ALUMINUM, CAST IRON AND BONE HANDLED ITEMS, HAND-PAINTED CHINA, WOODEN, PLASTIC, AND RUBBER ITEMS WHICH ARE NOT LABELED "DISHWASHER SAFE" SHOULD BE WASHED BY HAND.**

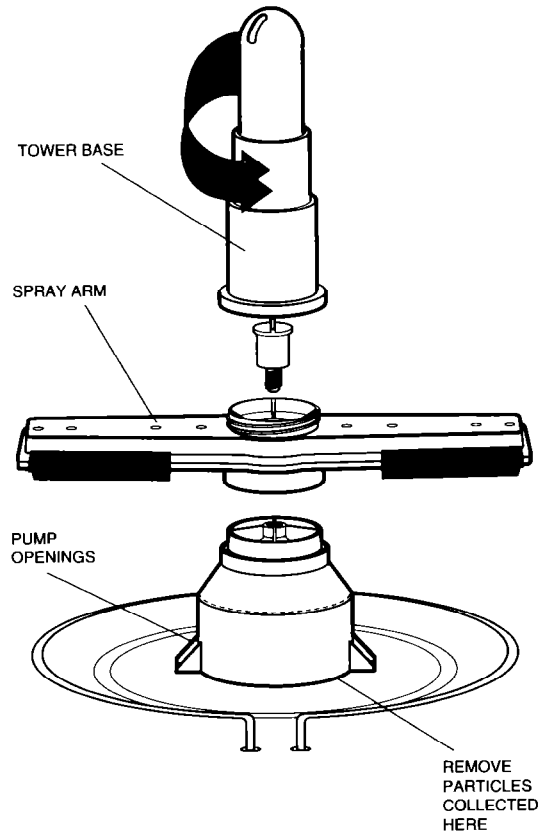
# User Maintenance Instructions

## Cleaning the Pump and Spray Arms

Your dishwasher is designed to flush away all normal food soils that may not have been removed from dishes. However, certain foreign objects such as fruit pits, bottle caps, and bones may collect in the openings of the pump and should be removed periodically to avoid clogging the drain system.

**CAUTION: ALLOW MACHINE TO COOL BEFORE CLEANING!**

1. Hold lower spray arm and turn tower base counter-clockwise to unscrew.
2. Lift out tower and spray arm.
3. Remove any objects that have collected in the pump openings or outlets.
4. Replace spray arm. Replace tower base and tighten securely. The spray arm and tower should rotate freely.



## Drain Air Gap

If the installer of your built-in dishwasher installed an air gap in the drain system, it should be checked periodically to make sure it is clean. Air gaps are usually mounted on the counter top or in the wall above the dishwasher and can be inspected by removing the cover.

## Storage and Seasonal Use

If your dishwasher is to remain idle for extended periods of time, do the following:

### ***In Freezing Temperatures***

1. Shut off water and electrical power.
2. Remove the access panel and disconnect the water line on both sides of the inlet valve. Allow water to drain from dishwasher's lines.
3. Connect water line to valve and replace access panel.
4. Pour one (1) quart of non-toxic, propylene glycol anti-freeze into the empty dishwasher.

### ***In Normal or Warm Temperatures***

Water left in the bottom of the tub may evaporate in warm temperatures leaving behind mineral deposits. These minerals could cause the motor shaft seals to stick together, resulting in motor failure. To prevent evaporation of the water, pour one (1) quart of non-toxic, propylene glycol anti-freeze into the empty dishwasher.

**CAUTION: BEFORE USING YOUR DISHWASHER AGAIN, RUN IT THROUGH ANY FULL CYCLE WITH DETERGENT IN BOTH CUPS TO CLEAR THE TUB AND PUMP SYSTEM.**

## Care of Surfaces

### ***Exterior***

Wash with a mild, non-abrasive detergent and water. Rinse and dry.

### ***Interior***

The interior is self-cleaning with normal use. If hard water causes lime deposit build-up, clean using the following instructions:

1. Pour two (2) cups of vinegar into the empty dishwasher. Do not use detergent.
2. Run the machine through any full wash cycle.

# LIMITED WARRANTY

This Roper appliance is warranted by Whirlpool Corporation to be free from defect in material and workmanship to the original domestic purchaser. Any part which we find to be defective will be repaired or replaced at our option subject to the following limitations:

## ROPER APPLIANCES

1. Repair or replace during the first thirty (30) day from the date of purchase any finishes (porcelain, enamel or other) and glass parts which we find to be defective.
2. Repair or replace during the first (1st) year from date of purchase any other part except for the finish, which we find to be defective.
3. Repair or replace during the first five (5) years from date of purchase any magnetron (on those units so equipped) which we find to be defective. Labor on any magnetron under warranty is limited to the first (1st) year from date of purchase.
4. During the second (2nd) through fifth (5th) years from the date of original purchase on any product so equipped, any part of the refrigerating system (compressor, evaporator, condenser, drier, or connecting tubing) found defective in material or workmanship will be supplied. Labor on the refrigerating system under this warranty is limited to the first (1st) year from the date of original purchase.
5. Replacement parts furnished under the terms of this warranty are warranted only for the unexpired portion of the original warranty period and transportation charges relative to obtaining part involved is the responsibility of the original consumer purchaser.
6. This warranty applies only to products properly installed, adjusted and operated in accordance with instructions found in the product literature. This warranty does not apply to any product which has been subjected to alteration, misuse, improper installation, or delivery damage. Nor does it apply to costs for any service requested for demonstration or to confirm proper operation of appliance.
7. Any repair made under the terms of this warranty must be performed by a servicer authorized by Whirlpool Corporation to service Roper brand appliances.

### SHOULD YOU HAVE ANY QUESTIONS CONCERNING THIS WARRANTY, PLEASE CONTACT:

Customer Relations Dept.  
Roper Brand Appliances  
2000 M 63 North  
Benton Harbour, MI 49022

Call Toll Free 1-(800) 44-ROPER  
1-(800) 447-6737  
Between 8:00 a.m. - 4:30 p.m.  
Monday thru Friday, Eastern Time

If you write or call, please furnish complete model and serial number of appliance and date of purchase.

Under no circumstances shall Whirlpool Corporation be liable under this warranty for any loss of any incidental or consequential damages and all IMPLIED WARRANTIES ARE LIMITED TO THE SAME TIME PERIODS STATED HEREIN FOR ROPER EXPRESS WARRANTIES. Some states do not allow the exclusion or limitation of consequential damages or limitations of how long an implied warranty may last, so the above limitations or exclusions may not apply to you. This warranty gives you specific legal rights, and you may have other rights which may vary from state to state.

*THIS IS A LIMITED WARRANTY WITHIN THE MEANING OF THAT TERM AS DEFINED IN THE MAGNUSON-MOSS ACT OF 1975.*

If you need service for your Roper brand appliance:

- Contact your selling dealer for the authorized servicer in your area.

- or -

- Phone 1-(800) 44-ROPER (1-(800) 447-6737) between 8:00 - 4:30 Eastern Time - Monday thru Friday.

## ROPER APPLIANCES

Products of Whirlpool Corporation  
Benton Harbour, MI 49022