

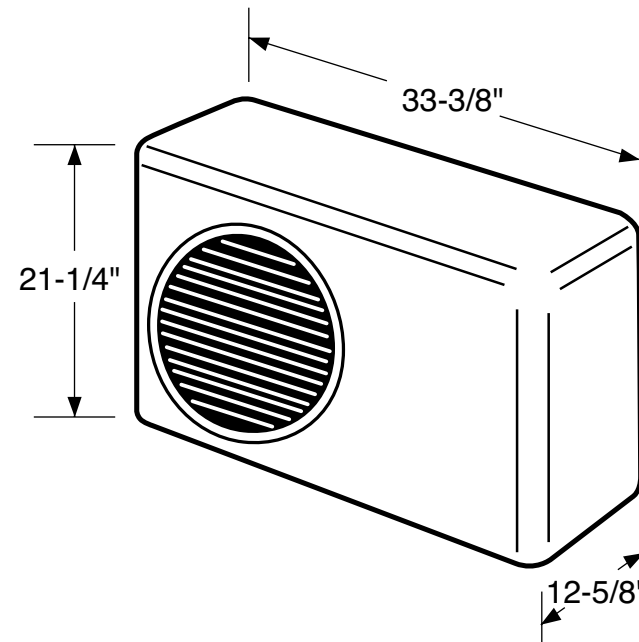
AE0CD10AM

Ductless Split System Air Conditioner (Outdoor Component)

Dimensions and Installation Information (in inches)

Optional Tube Kits

	10,000 BTU	
	TUE1650	TUE3250
Insulated Tubing	16'	32'
Wall Hole Sleeves (2)	Included	Included
Suction Line	0.5"	0.5"
Liquid Line	0.25"	0.25"



Note: For any service which requires entry into the refrigerant sealed system, Federal regulations require that the work be performed by a technician having a Class II or Universal certification.

For answers to your Monogram,[®] GE Profile[™] or GE[®] appliance questions, visit our website at ge.com or call GE Answer Center[®] service, 800.626.2000.



imagination at work



Total capacity and E.E.R. ratings are calculated based on the Association of Home Appliance Manufacturers' standards.



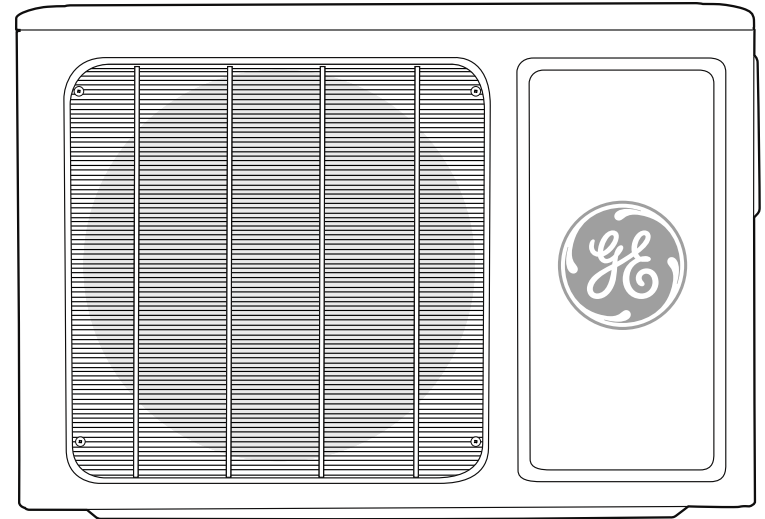
Listed by Underwriters Laboratories

AE0CD10AM

Ductless Split System Air Conditioner (Outdoor Component)

Features and Benefits

- 10,000 BTU/hr cooling
- R-410A Refrigerant
- Inverter Compressor Technology
- Auto/Cool/Fan/Dehumidify/Sleep/Timer/Circulaire™ Modes
- Full-Function Wireless Remote
- Uses 16' or 32' Tubing Kits
- Model AE1CD10AM - Indoor component
- Model AE0CD10AM - Outdoor component



For answers to your Monogram,® GE Profile™ or GE® appliance questions, visit our website at ge.com or call GE Answer Center® service, 800.626.2000.



imagination at work