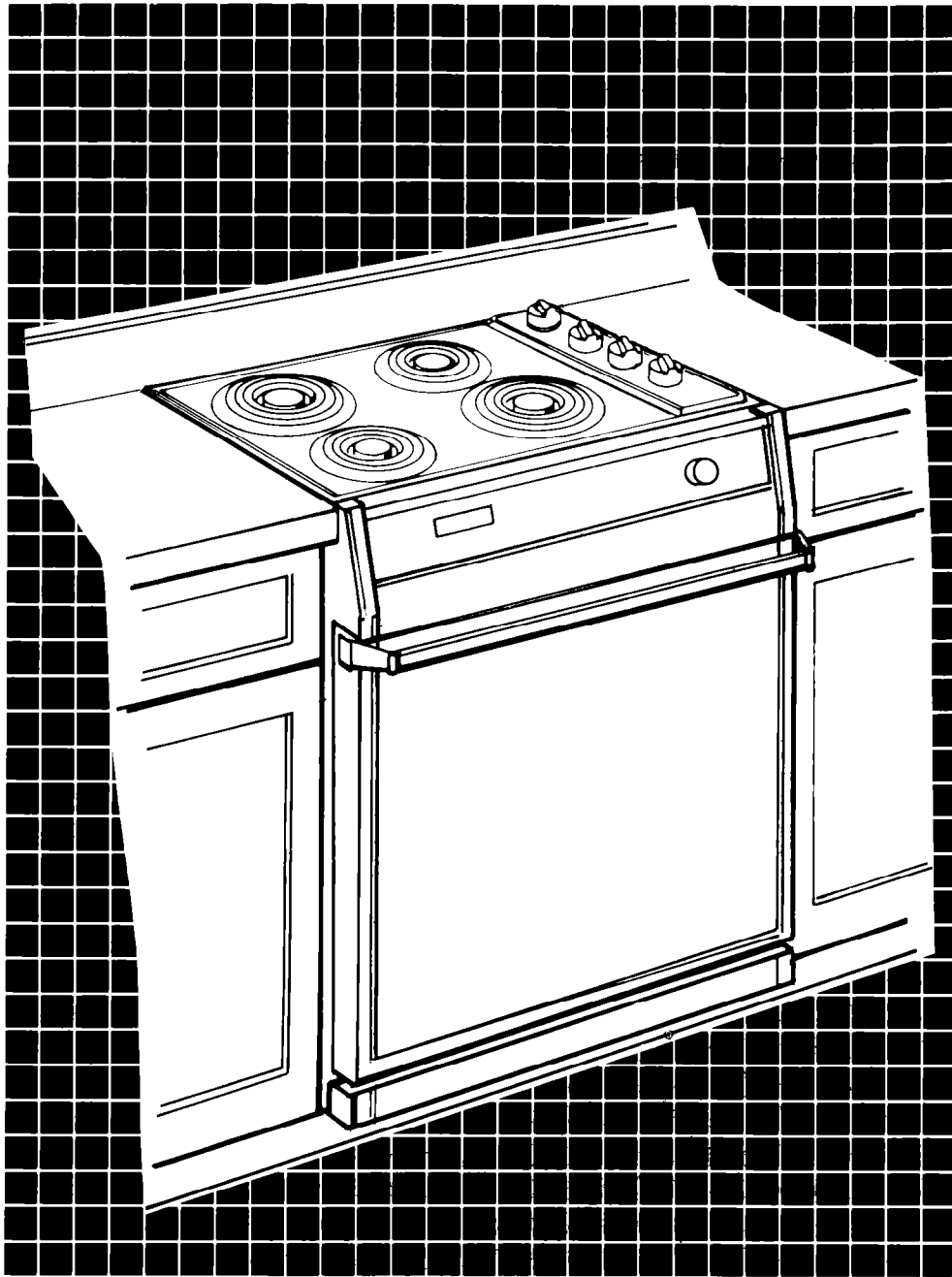


# Installation Instructions

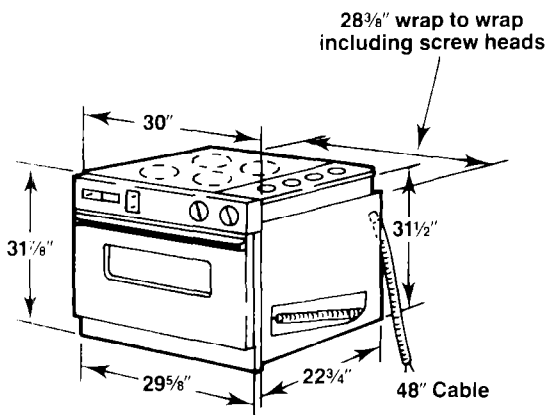
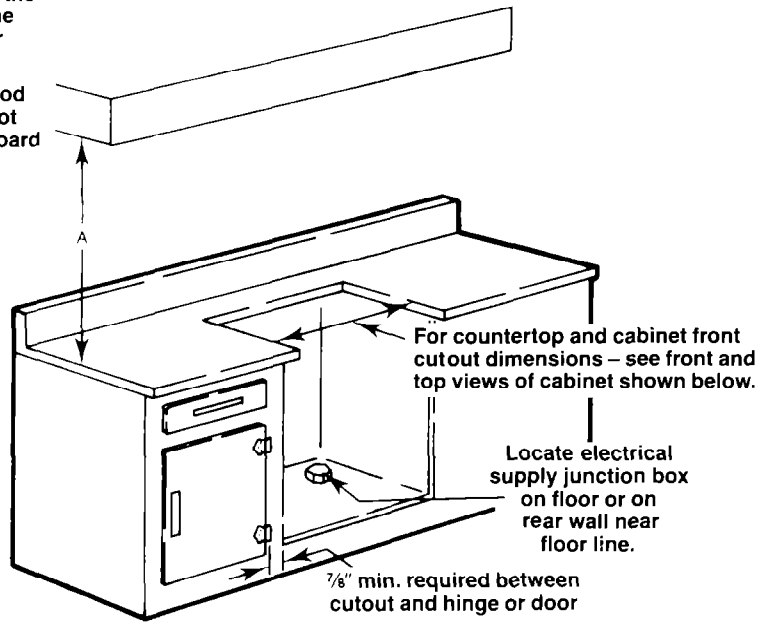


**KitchenAid<sup>®</sup>**  
**Electric Drop-in Unit**

"A" = 30" min. clearance between the top of the cooking platform and the bottom of an unprotected wood or metal cabinet.

"A" = 24" min. when bottom of wood or metal cabinet is protected by not less than 1/4" flame retardant millboard covered with not less than No. 28 MSG. sheet steel, 0.015" stainless steel, 0.024" aluminum or 0.020" copper.

**CAUTION:** To eliminate the hazard of reaching over heated surface units, cabinet storage space located above the surface units should be avoided. If cabinet storage is to be provided, the hazard can be reduced by installing a range hood that projects horizontally a minimum of 5 inches beyond the bottom of the cabinets.



NOTE: On cabinet tops with formed front edge, shave raised section to clear 30" wide rim. (See sketch below)

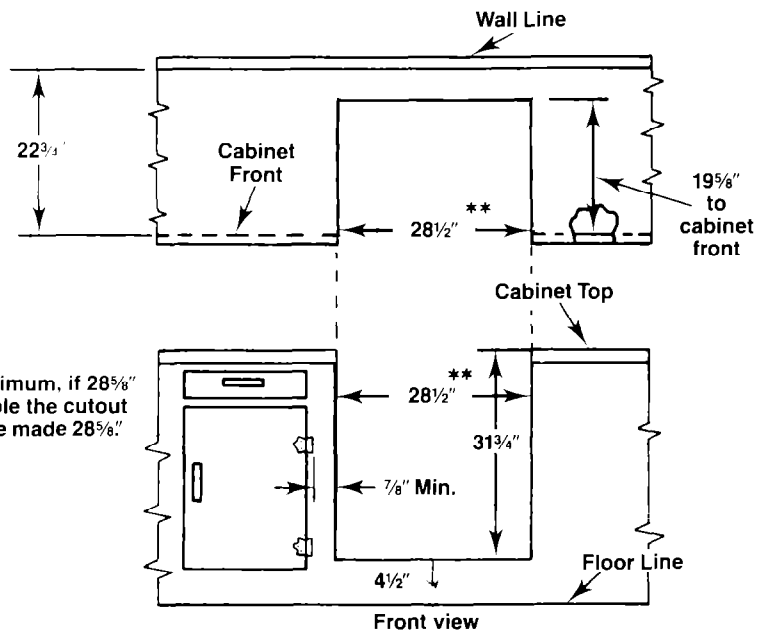


FIGURE 1 – Rough-in dimensions

**NOTE:** The Installation must conform to any local codes. The Set-In Unit may be mounted and secured to the cabinet similar to regular built-in equipment.

## 1. Carpentry

Prepare the cutout space, shown in Figure 1, in the desired location in the counter top and cabinet. The support surface (4 1/2" high) must be sturdy and level from side to side and front to rear. A minimum of 7/8" of cabinet area on either side of cutout should be clear of handles, hinges or any other obstruction.

## 2. Electrical Requirements

**IMPORTANT:** Observe all governing codes and ordinances.

### SAVE THESE INSTRUCTIONS FOR THE LOCAL ELECTRICAL INSPECTOR'S USE

A. A three-wire or four-wire single phase 120/240 volt 60Hz AC only electrical supply (or three-wire or four-wire 120/208 volt if specified on nameplate) is required on a separate circuit fused on both sides of the line (time-delay fuse or circuit breaker is recommended). **DO NOT** fuse neutral. The fuse size must not exceed the circuit rating of the appliance specified on the nameplate.

**NOTE:** Wire sizes and connections must conform with the fuse size and rating of the appliance in accordance with the National Electrical Code, ANSI/NFPA 70 – latest edition, and local codes and ordinances. Do not use an extension cord.

**B.** The appliance should be connected to the fused disconnect (or circuit breaker) box through flexible armored or non-metallic sheathed cable. The flexible armored cable extending from the appliance should be connected directly to the junction box. The junction box should be located as shown in *Figure 1* so that as much slack as possible remains in the cable between the box and the appliance so that it can be moved if servicing is ever necessary.

**C.** A suitable strain relief must be provided to attach the flexible armored cable to the junction box.

**D. ELECTRICAL CONNECTION**

It is the personal responsibility and obligation of the customer to contact a qualified installer to assure that the electrical installation is adequate and is in conformance with the National Electrical Code ANSI/NFPA 70- latest edition, and local codes and ordinances.

**Electrical ground is required on this appliance.**

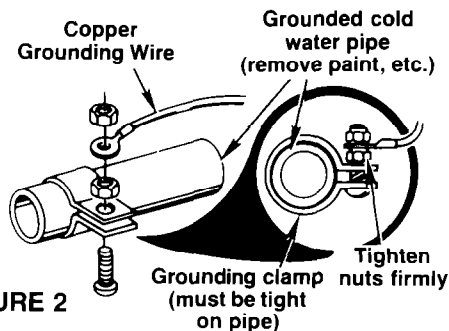
This appliance is equipped with copper lead wires. If connection is made to aluminum house wiring, use only special connectors which are approved for joining copper and aluminum wires in accordance with the National Electrical Code, ANSI/NFPA 70 – latest edition, and local codes and ordinances.

This appliance is manufactured with a white neutral power supply wire and a frame-connected green grounding wire.

1. If local codes permit connection of the frame-grounding conductor to the neutral (white wire), connect the green and white wire from the supply cable of the appliance together and to the neutral (white) wire in the junction box. Connect the remaining wires from the supply cable, matching the colors to the wires in the junction box.
2. If local codes DO NOT permit frame-grounding to the neutral, separate the white and green wires that extend out of the end of the supply cable of the appliance. Connect the white wire from the supply cable to the neutral wire in the junction box.

Connect the black and red wire from the supply cable, matching the colors, to the corresponding wires in the junction box. The green wire **MUST** now be used to ground the appliance in accordance with local electrical codes. Connect the green grounding wire to a grounded cold water pipe\* or to the grounded lead in the service panel. **Do not ground to a gas supply pipe.** Do not connect to electrical power supply until appliance is permanently grounded. Connect the grounding wire before turning on the power. (See Figure 2.)

**CAUTION** - If connecting to a four-wire electrical system (MOBILE HOME) the appliance frame **MUST NOT** be connected to the neutral wire of the four-wire electrical system. Separate the white and green wires that extend out of the end of the supply cable of the appliance. Connect the white, red and black wires from the supply cable, matching the colors, to the corresponding wires in the junction box. Connect the green wire from the supply cable to the grounding wire in the junction box.



**FIGURE 2**

\*Cold water pipe must have metal continuity to electrical ground and not be interrupted by plastic, rubber or other electrically insulating connectors (including water meter or pump) without adding a jumper wire at these connections.

**3. Installation**

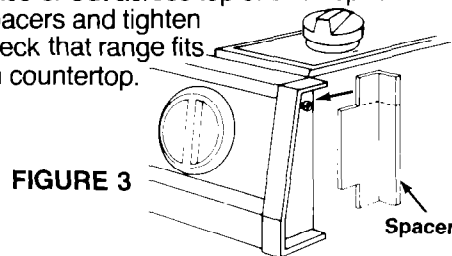
**NOTE:** Remove air grille taped to side or top of range. Also, before installing the range in the cutout, it may be helpful to remove the oven door. See details below.

Spacers may be shipped in the literature bag or preassembled on each side of the control console. If spacers are shipped in the literature bag, loosen screws and insert spacers on each side of the control console. (See Figure 3.)

Insert appliance into cutout. Screws are provided for fastening the front frame of the appliance to the cabinet. The mounting holes in the front frame of appliance may be used as a template to locate the appliance mounting screw holes.

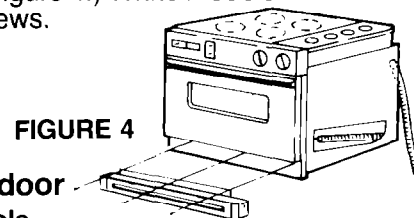
**CAUTION:** For your personal safety, and to minimize potential personal injury, this oven must be securely fastened to the cabinet, using the four screws that are provided.

If range does not fit properly, check spacers. The spacers may need to be cut to fit under the countertop. Mark with a pencil where each spacer needs to be cut. Loosen both screws to remove spacers. Cut across top of each spacer. Replace spacers and tighten screws. Check that range fits properly on countertop.



**FIGURE 3**

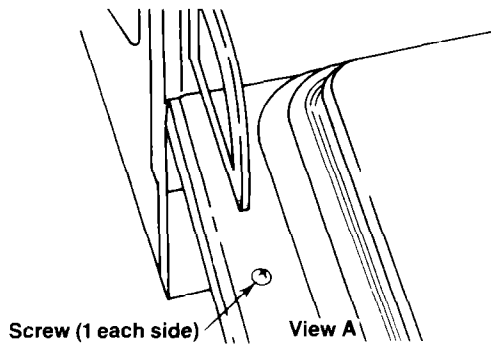
Put air grille in place under oven door. Be sure louvers in air grille point down, flange is at bottom, and mounting holes are at top. Slide air grille up into position. Attach air grille with 3 black, sheet metal screws. (See Figure 4.) White models may use chrome screws.



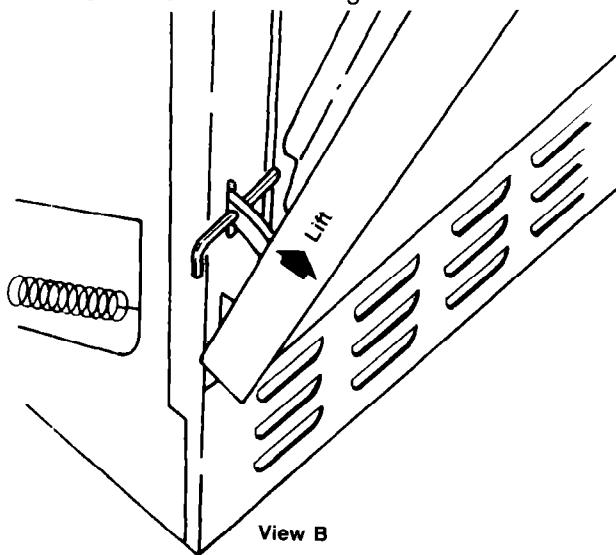
**FIGURE 4**

**To remove oven door**  
**Self-Cleaning models**  
**(Door to be removed for installation only).**

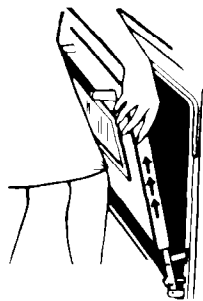
1. Remove the two screws, one on each side of the inner door panel. See View A.



2. Put an allen wrench ( $\frac{5}{32}$ " or smaller) or equivalent in the hole in each of the hinges. Close the oven door until the pins touch the oven front. See View B.
3. The oven door can now be lifted off.
4. Reinstall oven door the same as on non-self-cleaning models (see below).
5. Reinstall the door mounting screws.

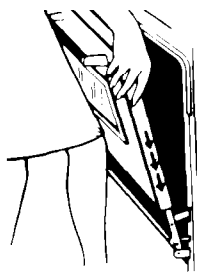


To remove oven door (non-self-cleaning models)



Pull straight with the angle of part-open door.

FIGURE 5



Push down evenly.

FIGURE 6

### Removing the oven door: (For installing and cleaning)

Removing the oven door may make it easier to clean the oven. To remove the door, first open it to the first stop (about 4 inches or 10 cm). Take hold of both sides of the door near the top; then lift it **at the same angle it is in**.

With the door off, you will notice how the ends of the hinges slide into slots at the bottom corners of the door. To put the door back on, fit both bottom corners of the door over the ends of the hinges. Push the door down evenly, so neither corner gets ahead of the other. When it reaches the bottom, you can close the door. A safety latch will hold the door open until it is on correctly.

## 4. Shipping Pieces

Remove the shipping clip from each of the 4 surface units. The clips are for shipping only. Lift the clip with pliers or screwdriver. Then bend the clip to a vertical position. (See Figure 7)

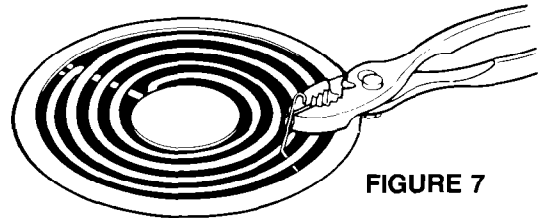


FIGURE 7

Remove surface unit and reflector bowl as shown in Use and Care Guide.

Remove clip and discard.

Replace surface unit and reflector bowl as shown in Use and Care Guide.

## 5. Checking

**CAUTION: Do not touch the elements. They may be hot and you may get burned.**

### A. THERMOSTAT

1. Broil – Turn selector switch to BROIL and set thermostat to a high temperature position. The top element should become cherry-red and the indicator light should glow.
2. Bake – Turn selector switch to BAKE and set thermostat to 350°. The bottom element should become red and the indicator light should glow.

### B. CLOCK

Refer to the Use and Care Guide for proper operation of the clock.

### C. ROTISSERIE (if optional kit has been installed)

1. Position the spit bar on special rack.
2. Insert point of spit bar into hole in the back of the oven.
3. Rotation starts upon insertion of spit bar.