

INSTALLATION

IMPORTANT: Save these instructions for the local electrical inspector's use.

TOOL LIST

Hand or electric drill

Hand or saber saw

Pencil

Ruler or tape measure

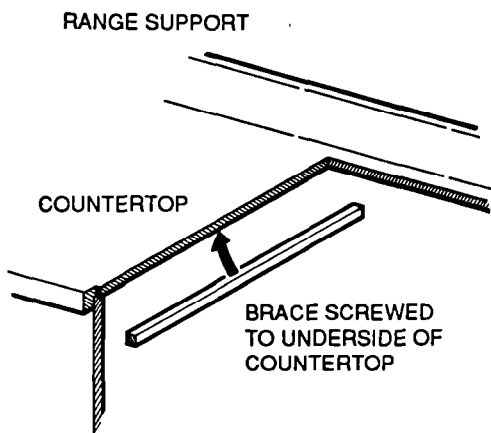
Straight edge

1/8" drill bit

ADDITIONAL MATERIALS

This range is designed to hang from the countertop. It does not rest on the floor.

If countertop is less than 1 1/2" thick, reinforcing braces must be installed under the countertop, on each side. See figure below.



LOCATION

- Put the range near a work surface for convenience.
- The cooktop should be easy to reach and lighted with natural light during the day.
- To reduce the risk of burns or fire by reaching over heated surface units, cabinet storage space located above the surface units should be avoided. If cabinet storage space is to be provided, the risk can be reduced by installing a range hood that projects horizontally a minimum of 5 in. beyond the bottom of the cabinets.
- See Figures 1 and 2 for all rough-in and spacing dimensions. These dimensions must be met for safe use of your range.
- A wiring junction box must be installed in an adjoining cabinet or under the floor. The junction box must be located where it will allow considerable slack in the 4 ft. long range conduit, so that the range can be pulled forward for servicing if necessary. See next page for more information.

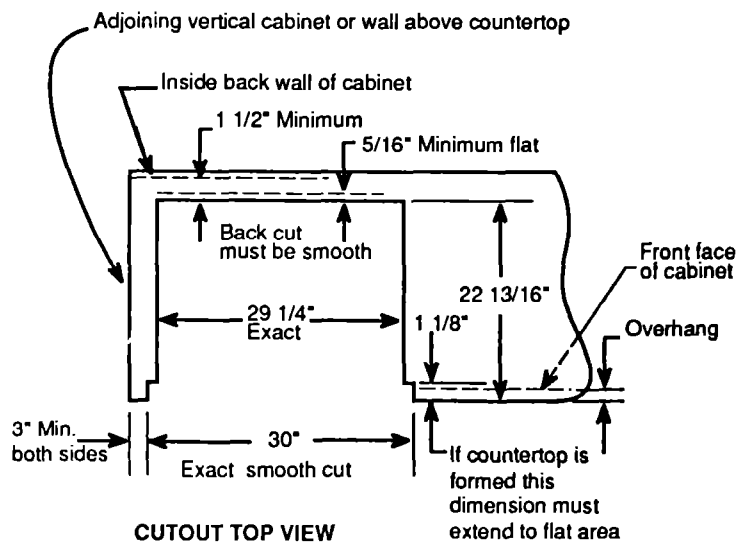


FIG. 1

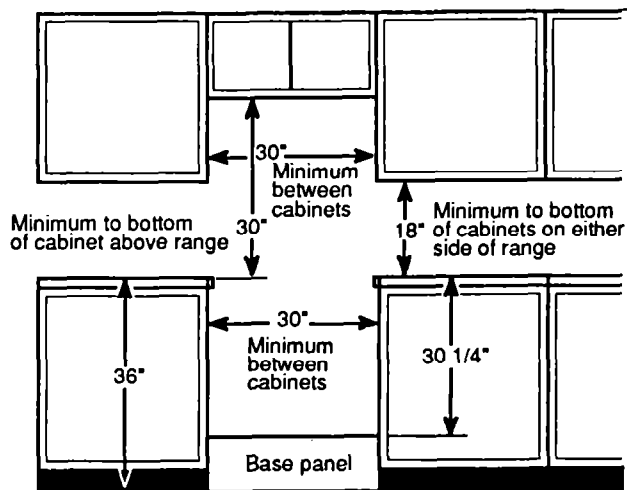


FIG. 2

ELECTRICAL REQUIREMENTS

We recommend you have the electrical wiring and hookup of your range done by a qualified electrician. After installation, have the electrician show you where your main range disconnect is located.

Check with your local utilities for electrical codes which apply in your area. Failure to wire you range according to governing codes could result in a hazardous condition. If there are no local codes, you range must be wired and fused to meet the requirements of the National Electrical Code, ANSI/NFPA No. 70-1987. You can get a copy by writing:

National Fire Protection Association
Battery March Park
Quincy, MA 02269

You must use a three-wire, single-phase A.C. 208Y/120 Volt or 120/240 Volt, 60 Hertz electrical system. If you connect to aluminum wiring, properly installed connections approved for use with aluminum wiring must be used.

In the absence of local codes, we recommend that a minimum wire size of No. 8 copper wire and a 40 amp fuse or circuit breaker be used, on both 208Y/120 Volt and 120/240 Volt systems.

PREPARE THE COUNTER

1. Install base cabinets 30" apart, and be sure they are plumb and level before attaching the countertop.
2. Lay out the cutout opening on the countertop per Fig. 1. (Countertop cutout shown in Fig. 1. assumes a standard installation in a 25" deep counter with a standard 1-1/4" overhang.) If the overhang is less than 1-1/4", the range front side trims and control panel end caps will extend into the 30" cutout. If the overhang is greater than 1-1/4", a gap between the cabinet face and the range front side trims will exist. A moulding may be fitted to provide a more custom appearance. Before cutting, check for dimension marked min. (Fig. 1). If these dimensions are not met, the product can be moved forward on the countertop until minimum dimensions are met. (Decrease the cutout dimensions 22-13/16" & 1-1/8" by the amount of the forward movement.) This will make the end caps extend forward in front of the countertop and may create a gap between the range front trims and the cabinet face. If this occurs, fit moulding as above. If it is not flat at the back of the notch, the raised area must be filed or cut away to fit.
3. Make cutout. If the countertop is not 1-1/2" thick, install reinforcing braces under the countertop as shown on page 1.
4. Install the wiring junction box in an adjoining cabinet or under the floor. Cut 1-1/2" dia. hole to bring the electrical cable from the range to the junction box. The junction box must be located so that there will be enough slack in the connected cable to allow the range to be pulled forward several inches for service if necessary.

MAKE ELECTRICAL CONNECTION

1. De-energize range branch circuit.
 2. With range in front of opening, push flexible electrical cable through hole in floor or adjacent base cabinet and attach it to the junction box. Do not shorten this cable. The flexible cable connector must be securely attached to the junction box and the flexible cable must be securely attached to the connector. If the flexible cable will not fit within the connector, do not install the range until a connector of the proper size is obtained.
- When connecting to a 3-conductor branch circuit, if local codes permit, connect the white and bare ground connector leads of the range to the branch circuit neutral (white or gray in color), the range red lead to the branch circuit red lead and the range black lead to the branch circuit black lead in accordance with local codes.

Special Grounding Instructions

- When connecting to a 4-conductor branch circuit.
 - When installing range in a mobile home.
 - When local codes do not permit grounding through neutral.
1. Attach the appliance grounding lead (green or bare copper) to the residence grounding conductor (green or bare) in accordance with local codes. If the residence grounding conductor is aluminum, see "WARNING" note below.
 2. Connect the range neutral (white) lead to the branch circuit neutral (white or gray) in accordance with local codes.
 3. Connect the range red lead to the branch circuit red lead and the range black lead to the branch circuit black lead in accordance with local codes. If the residence red and black leads are aluminum conductors, see "WARNING" note below.

NOTE TO ELECTRICIAN: The three power leads supplied with this appliance are U.L. recognized for connection to larger gauge household wiring. The insulation of these three leads is rated at temperatures much higher than the temperature rating of household wiring. The current carrying capacity of a conductor is governed by the temperature rating of the insulation around the wire rather than the wire gauge alone.

WARNING: IMPROPER CONNECTION OF ALUMINUM HOUSE WIRING TO THESE COPPER LEADS CAN RESULT IN AN ELECTRICAL HAZARD OR FIRE. USE ONLY CONNECTORS DESIGNED FOR JOINING COPPER TO ALUMINUM AND FOLLOW THE MANUFACTURER'S RECOMMENDED PROCEDURE CLOSELY.

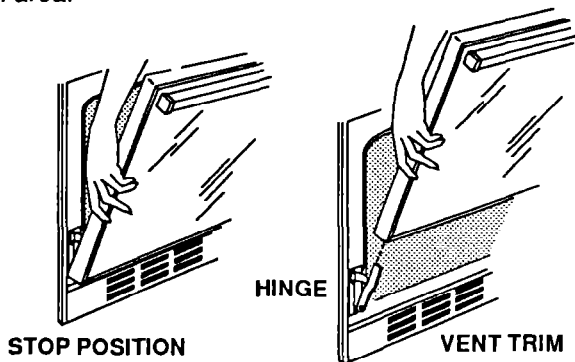
INSTALL RANGE

BE SURE RANGE BRANCH CIRCUIT IS DE-ENERGIZED.

1.Remove Oven Door

- Open the door to the stop position (see illustration).
- Grasp the door at each side and lift up and off the hinges.

NOTE: When the door is removed and hinge arms are at stop position, do not bump or try to move the hinge arms. The hinges could snap back causing injury to the hands or damage to the porcelain on the front of the range. Cover the hinges with toweling or empty towel rolls while working in the oven area.

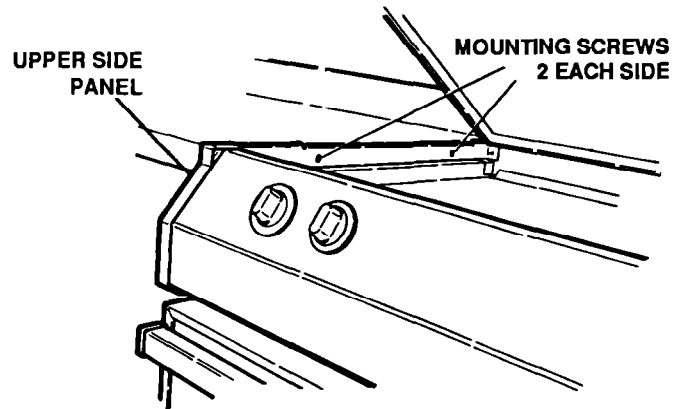


To replace:

- Hold the door over the hinges with the slots at the bottom edge of the door lined up with the hinges. The hinge arms must still be in the stop position.
- Slide the door down onto the hinges as far as it will go and close the door.

2.Position range in opening.

- Raise lift-up cooktop and support it with cooktop support rod.
- Drill 1/8" diameter pilot holes into countertop using holes in upper side panels. Attach range to countertop (Fig. 4) with screws provided in literature package.



IMPORTANT SAFETY WARNING



Be sure to attach range to counter and be sure counter top is securely attached to the cabinets or wall.

Failure to do so could permit the range to tip, causing injury.