

KitchenAid® Single Drawer Dishwasher

HOME APPLIANCES

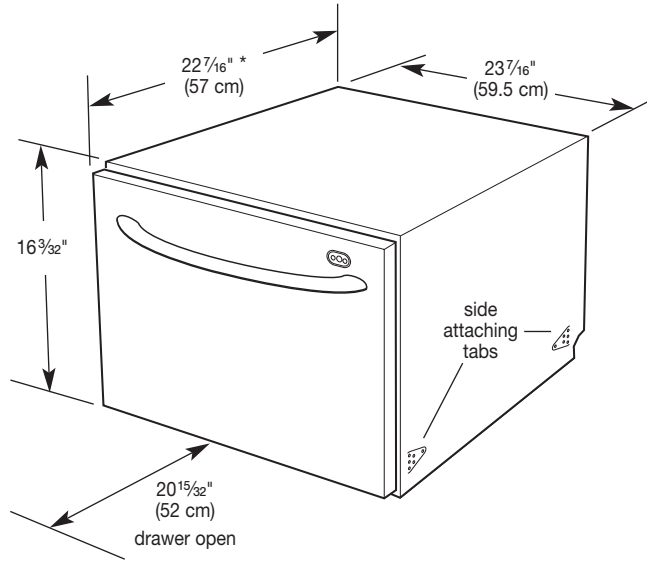
PRODUCT MODEL SERIES

KUDD01SS

Electrical: 120-volt, 60 Hz, AC-only, 15 or 20 amp fused electrical supply is required. A time-delay fuse or circuit breaker and separate circuit is recommended.

Water: A hot water line with 4.3-145 psi (30-1000 kPa) water pressure. Water temperature must be minimum 120°F (49°C) at dishwasher. An easily accessible valve with 3/8" compression fitting must be installed in the hot water supply line.

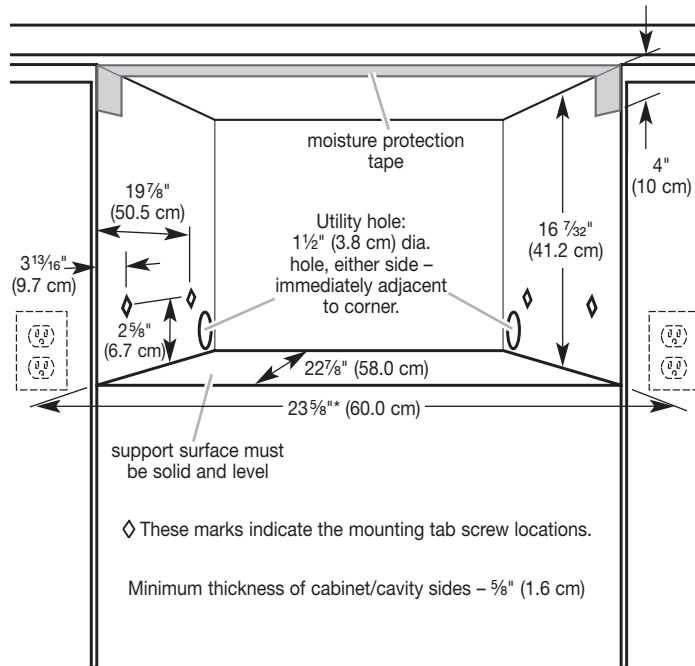
OVERALL DIMENSIONS



* If custom wood panels are to be used, the product depth is specified with an 1/16" (18 mm) door panel thickness.

NOTE: Product shown with front panels for dimension purposes.

CABINET DIMENSIONS



Install the dishwasher in a cabinet cutout that is level, will hold weight up to 104lbs. (47kg), and is in an area suitable for its size and use.