



30" Freestanding Gas Range

PRODUCT MODEL NUMBERS

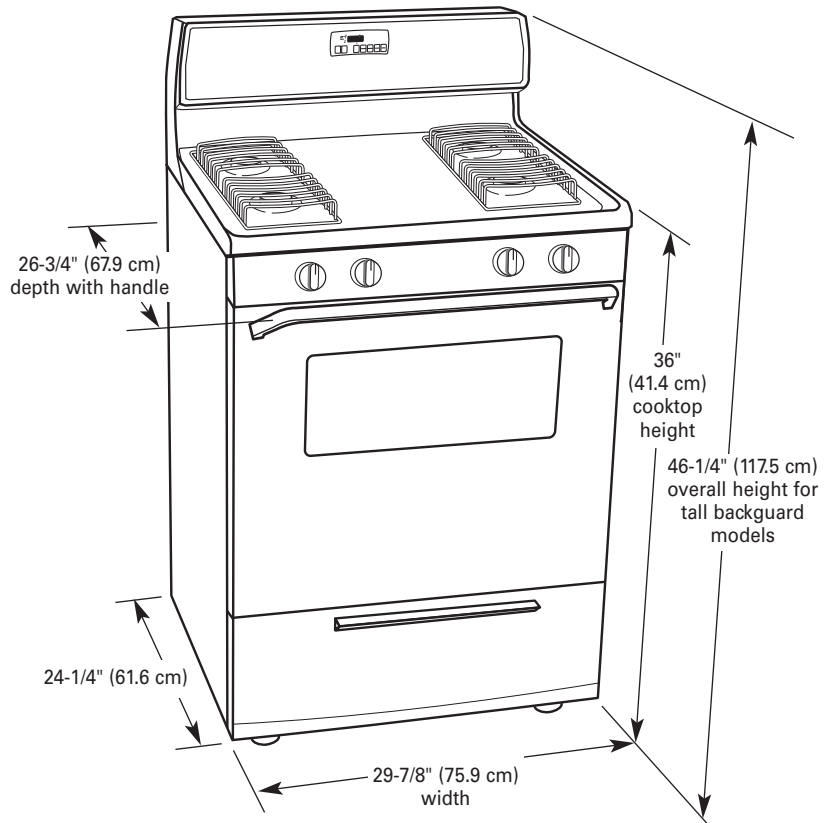
SF315PEP

SF114PXS

Gas supply: Use 3/4" rigid pipe gas supply line to the range location. A smaller size pipe on long runs may result in insufficient gas supply. With L.P. gas, piping or tubing size can be 1/2" minimum. If local codes permit, it is recommended that new flexible metal tubing, design-certified by AGA or CSA, 1/2-inch or 3/4-inch I.D., be used for connecting the range to the rigid gas supply line. A 1/2" male pipe thread is needed for connection to pressure regulator female pipe threads. An individual manual shutoff valve must be located in the same room, but external to the range.

Electrical: A 120-volt, 60 Hz, AC-only, 10 am, electrical supply fused on both sides of the line. A separate circuit is recommended. A time-delay fuse or circuit breaker is recommended.

OVERALL DIMENSIONS



CABINET OPENING DIMENSIONS

