

INSTALLATION INSTRUCTIONS

Household Water Filtration System — GXWH01C and GXWH08C

SAFETY PRECAUTIONS

- Check with your state and local public works department for plumbing and sanitation codes. You must follow these guidelines as you install the Household Water Filtration System. Using a qualified installer is recommended.
- Be sure the water supply conforms with the *Specifications Guidelines*. If the water supply conditions are unknown, contact your municipal water company.

⚠ WARNING: Do not use with water that is microbiologically unsafe or of unknown quality without adequate disinfection before or after the system.

- It is highly recommended that a water shut-off valve be placed directly upstream of your household filter.

PROPER INSTALLATION

This Household Water Filtration System must be properly installed and located in accordance with the Installation Instructions before it is used.

- **Check with your local public works department for plumbing codes. You must follow their guides as you install the Household Water Filtration System.**
- **Use the Household Water Filtration System on a potable, safe-to-drink, home COLD water supply only. The filter cartridge will not purify water or make unsafe water safe to drink. DO NOT use on HOT water (100°F max).**
- **Protect the Household Water Filtration System and piping from freezing. Water freezing in the system will damage it.**
- **Your Household Water Filtration System will withstand up to 125 psi water pressure. If your house water supply pressure is higher than 100 psi during the day (it may reach higher levels at night), install a pressure-reducing valve before the system is installed.**

- Do not install on **HOT WATER**. The temperature of the water supply to the Household Filtration System must be between the minimum of 40°F and the maximum of 100°F. See the *Specification Guidelines*.

- **Do not** install the Household Water Filtration System using copper solder fittings. The heat from the soldering process will damage the unit.

⚠ WARNING: Discard all unused parts and packaging material after installation. Small parts remaining after installation could be a choke hazard.

- **Do not** install filter in an outside location or anywhere it will be exposed to sunlight.

REQUIRED TOOLS AND ACCESSORIES FOR INSTALLATION

- 2 wrenches: 1½" and 1¼"
- Pipe cutter or hacksaw
- File
- Emery paper
- Screwdriver
- For **GXWH01C** model, additional installation parts may be required:
 - (2) ¾" compression adapters with brass ferrule and nut for installation on copper plumbing – Installation Kit available:
 - Retail Part (WHKIT)
 - GE Parts (WS35X10023)
 - UL-approved grounding clamps and 8-gauge copper grounding wire—Installation Kit available:
 - Retail Part (WHKIT)
 - GE Parts (WS35X10023)
 - Teflon® Tape
 - Sump Wrench
 - Retail Part (UCWRNCH)
 - GE Parts (WX5X140)

Optional accessories are available (Visa, MasterCard or Discover cards accepted) by visiting our Website at www.GEAppliances.com or from Parts and Accessories 800.626.2002 (U.S.) or 800.663.6060 (Canada).

- If unit is to be installed on plastic, PVC, or galvanized plumbing, separate hardware must be purchased.

CONTENTS INCLUDED WITH PRODUCT

- Filter housing and head
- Product literature
- Sediment filter (for GXWH08C)
- (2) ¾" brass compression adapters with nut and ferrule (for GXWH08C)
- Teflon® tape (for GXWH08C)
- Sump wrench (for GXWH08C)
- Grounding clamps and wire (for GXWH08C)

GXWH01C



System is Tested and Certified by NSF International against ANSI/NSF Standard 42 for nominal Particulate Reduction Class III.

GXWH08C



System is Tested and Certified by NSF International against ANSI/NSF Standard 42 for nominal Particulate Reduction Class III.

251B6021P001 10-01 JR 49-50043-3

www.GEAppliances.com

GENERAL ELECTRIC COMPANY, Appliance Park, Louisville, KY 40225

ABOUT THE FILTER CARTRIDGE

Specification Guidelines

Minimum–Maximum Supply Water Pressure: 20–125 pounds per square inch (psi)

Minimum–Maximum Supply Water Temperature: 40°F/100°F

Rated Service Flow: 4 gpm

Filter Cartridge Life

Several variables determine how long the cartridge will last in your Household Water Filtration System. These include:

- levels of sediment or other undesirable substances in your water.
- the amount of water you use.
- the filter location (filtering all or part of your household water).

| GE MODEL | FUNCTION | LIFE | CONSTRUCTION |
|----------|----------------------------------|------------------------|--------------|
| FXUSC* | Sediment 15 Micron | 3 month/16,000 gallons | Polyspun |
| FXWPC | Sediment | 3 month/16,000 gallons | Pleated |
| FXWSC | Sediment 10 Micron | 3 month/16,000 gallons | String Wound |
| FXWTC* | Sediment 5 Micron Chlorine | 3 month/15,000 gallons | Carbon Paper |

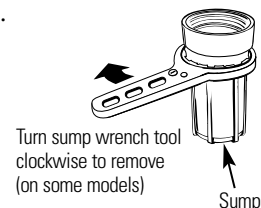
*NSF Certification for particulate reduction applies only to the FXUSC and FXWTC when used in GXWH01C or GXWH08C Filtration Systems.

Filter Cartridge Replacement

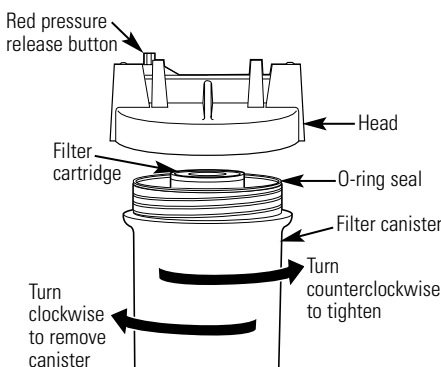
You should change your filter when the water flow is noticeably reduced or at least every three months.

- 1 Turn off water to filter. For model GXWH01C, water must be shut off from an upstream valve. For model GXWH08C, rotate bypass valve to the bypass position.
- 2 Press the red pressure release button to release pressure.
- 3 Unscrew the filter canister and discard used filter. Wash the filter canister with mild soap and water. **Do not** use harsh cleaners or hot water.
- 4 Inspect the filter canister O-ring. Make sure it is lightly lubricated and completely seated in the groove. It is recommended that you replace the O-ring if it is damaged.
- 5 Place a new filter cartridge into the canister making sure it is centered and completely seated on the bottom seal.
- 6 Reinstall the filter canister to the unit. Hand tightening is all that is required to seal the unit.

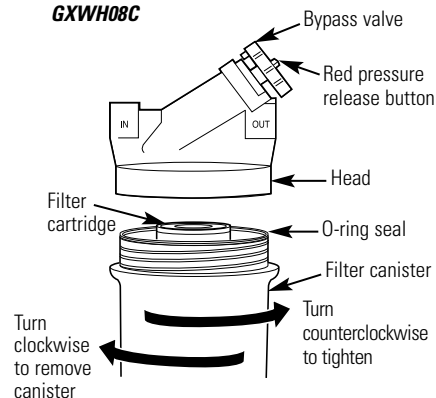
- 7 Slowly turn on water to the filter by using the bypass valve (model GXWH08C) or the upstream shut-off valve.
- 8 Press the red pressure release button to remove trapped air.
- 9 Open any downstream faucet and allow filter system to flush for 5 minutes.



GXWH01C



GXWH08C

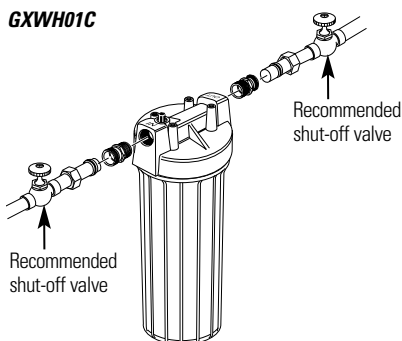


STEP-BY-STEP INSTALLATION INSTRUCTIONS

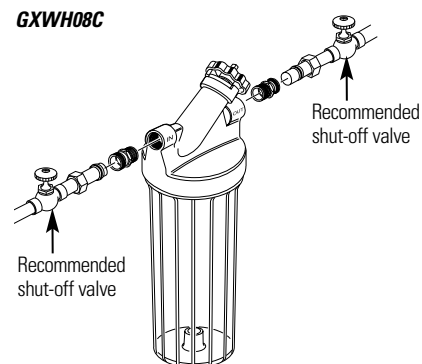
Installation Overview

NOTE: Be sure to allow a minimum space of 1½" under the filter for removing the sump, to change the cartridge.

GXWH01C



GXWH08C



STEP-BY-STEP INSTALLATION INSTRUCTIONS (cont.)

Select Location

Select a location for the filter that is:

- protected from freezing.
- not exposed to direct sunlight.

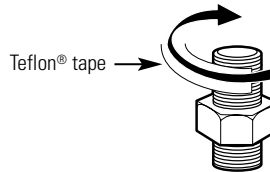
It is recommended that a shut-off valve be placed on both sides of the filter.

Install Fittings

Instructions are for installing fittings supplied with the filter (on some models) or the WHKIT onto 3/4" copper plumbing. If the unit is to be installed on any other type of tubing (plastic, PVC, galvanized), different hardware must be purchased. See instructions with additional hardware purchased, or consult a qualified plumber.

Apply about 6" of Teflon® tape, in a clockwise direction, to the pipe threads (course) of each adapter. **DO NOT** use joint compound on any parts.

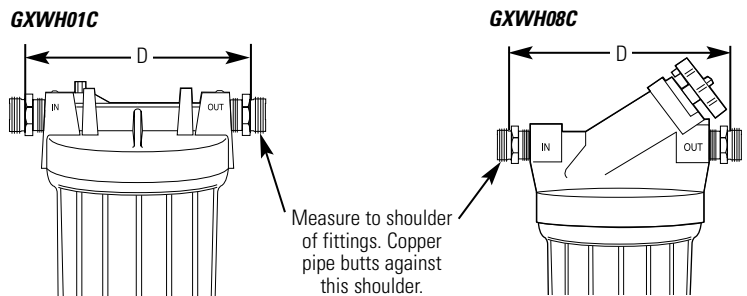
Assemble an adapter to the inlet and outlet of the head. Start each fitting by hand to make sure they don't cross thread. Use a 1 1/8" wrench firmly. **DO NOT OVERTIGHTEN.** About one to two thread(s) should remain visible.



Cut Water Line

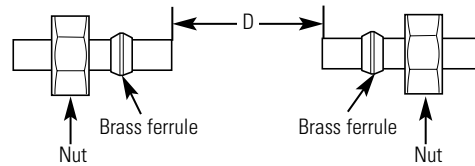
- 1 Turn off water supply and open a nearby faucet to drain water out of pipes.
- 2 Remove the nut and brass ferrule from both compression fittings and set aside. Using a tape measure or ruler, measure the distance "D" as shown.
 - **NOTE:** It is recommended that the shut-off valve be placed before and after the filter as shown in the *Installation Overview* illustration.
 - Select the location for the filter. Mark the distance "D" on the pipe.

- 3 Using a pipe cutter or hacksaw, cut pipe. Sand (file) cut ends of pipe to assure that they are square and smooth.



Attach Fittings to Water Line

- 1 Slip a compression nut onto each pipe.
- 2 Next, slip the brass ferrule onto each pipe.



Installing the Unit

- 1 Align filter assembly with pipe ends making certain that the **incoming** water supply is going into the filter opening marked "IN". It may be necessary to spread the pipe ends apart to install filter assembly.

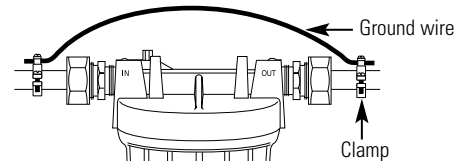
- 2 Using a 1 1/8" wrench to hold the adapter in place, use a 1 1/4" wrench to tighten the nut. Repeat process for other fittings.
- 3 If necessary, support the water pipe on either side of the filter unit.

Installing the Ground Wire

IMPORTANT: A copper or galvanized house cold water pipe is often used to ground electrical outlets in the home. **Grounding protects you from electrical shock.** The water filter housing may have broken this ground path. To restore connection, install a 12" long, 8-gauge copper wire across the filter, tightly clamped using UL-approved 1/2"-1" bronze grounding clamps at both ends as shown. Zinc clamps should not be used on copper plumbing. For GXWH01C, wire and clamps may be purchased separately from your local hardware store, or are available by visiting our Website at www.GEAppliances.com, or from Parts and Accessories by calling 800.626.2002 (U.S.) or 800.663.6060 (Canada) – order part number WHKIT.

- 1 Clean copper pipe and ends of wire with emery paper. Bare wire is recommended. If insulated wire is used, it should be stripped 3/4" at each end before cleaning with emery paper.
- 2 Attach bronze clamps to copper pipe. Tighten screws.
- 3 Attach wire to clamps as shown. Tighten screws.

NOTE: If your house plumbing is plastic, it would not be used as a grounding path, and this step should be skipped.

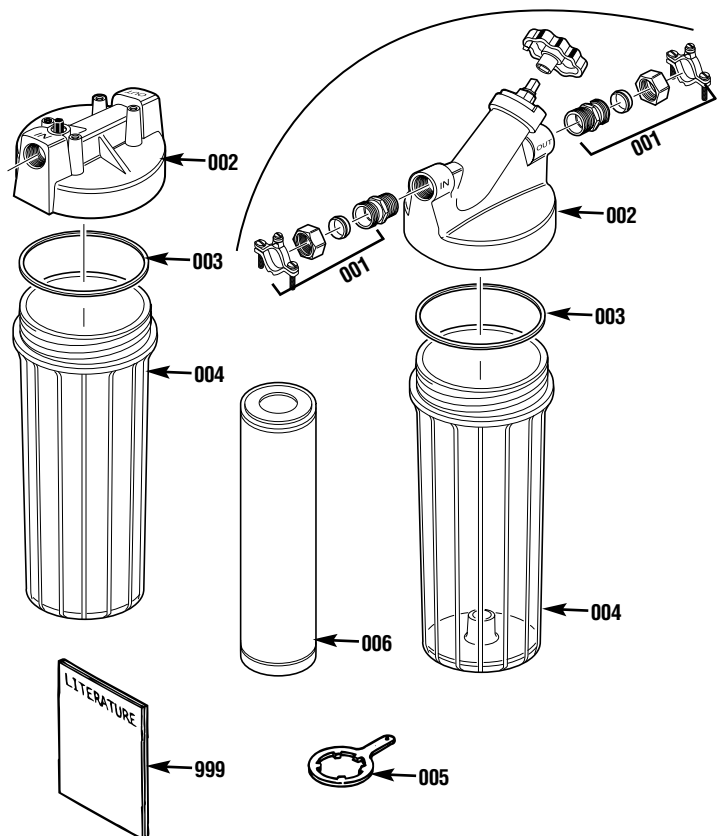


Final Check

- 1 Install filter, if not all ready done. (See Filter Cartridge Replacement section.)
- 2 Slowly turn on water supply.
- 3 Check entire system for leaks.

- 4 If leaking, shut off water pressure and tighten or reseal fittings.
- 5 Open any downstream faucet and allow filter system to flush for 5 minutes.

PARTS LIST



| Ref. No. | Part No. | Part Description | G X W H 0 1 C | G X W H 0 8 C |
|----------|------------------------|--------------------------------|---------------------------------|---------------------------------|
| 001 | WS35X10023 or WHKIT | Installation Kit | — | 1 |
| 002 | WS19X10012 | Head Assembly with Vent | 1 | — |
| | WS19X10013 | Head Assembly with Valve Assy. | — | 1 |
| 003 | WS03X10038 | O-Ring | 1 | 1 |
| 004 | WS30X10003 | Sump—White | 1 | — |
| | WS30X10004 | Sump—Clear | — | 1 |
| 005 | WX5X140 | Sump Wrench | — | 1 |
| 006 | FXUSC | Filter Element—Poly Spun | — | 1 |
| | FXWPC | Filter Element—Pleated | — | — |
| | FXWSC | Filter Element—String | — | — |
| | FXWTC | Filter Element—Carbon Paper | — | — |
| 999 | 49-50043 | PM Installation Instructions | 1 | 1 |

To obtain replacement parts, call toll-free 800.626.2002 (U.S.), 800.663.6060 (Canada—English), 800.361.3869 (Canada—French).

LIMITED ONE-YEAR WARRANTY

- **What does this warranty cover?**
 - Any defect in materials or workmanship in the manufactured product.
 - **What does this warranty not cover?**
 - Filter Cartridges
 - Service trips to your home to teach you how to use the product
 - Improper installation
 - Failure of the product if it is abused, misused, altered or used for other than the intended purpose
 - Defects that result from improper installation or damage not caused by GE
 - Liability on the part of GE under this or any other warranty for any indirect or consequential damage
 - Products that are used for commercial or industrial applications
 - Use of this product where water is microbiologically unsafe or of unknown quality, without adequate disinfection before or after the system. Systems certified for cyst reduction may be used on disinfected water that may contain filterable cysts.
 - Damage to the product caused by accident, fire, floods or acts of God.
 - **Incidental or consequential damage caused by possible defects with this appliance, its installation or repair.**
 - **For how long after the original purchase?**
 - One Year.
 - **How do I make a warranty claim?**
 - Return to the retailer from which it was purchased along with a copy of the “Proof of Purchase.” This warranty excludes the cost of shipping or service calls to your home.
 - **How does state law relate to this warranty?**
 - This warranty gives you specific legal rights, and you may also have other rights which vary from state to state.
- THIS WARRANTY IS INTENDED TO BE IN LIEU OF ALL OTHER WARRANTIES, WHETHER EXPRESS OR IMPLIED, INCLUDING THE WARRANTIES OF MERCHANTABILITY AND FITNESS FOR A PARTICULAR PURPOSE.**
- Contact us at www.GEAppliances.com, or call 800.GE.CARES (U.S.), or toll-free 866.777.7627 (Canada).*

INSTRUCTIONS D'INSTALLATION

Systèmes de filtration d'eau (usage domestique) — GXWH01C et GXWH08C

MESURES DE SÉCURITÉ

- Consulter le service local des travaux publics au sujet des codes de plomberie et de raccordement aux égouts. L'installation du système de filtration d'eau doit être conforme aux prescriptions du code de plomberie local. On recommande qu'un installateur qualifié soit chargé de l'installation.
- Vérifier que l'eau à traiter est conforme aux *Conditions d'utilisation-Spécifications*. Si les caractéristiques de l'eau à

traiter ne sont pas connues, contacter le service municipal de distribution d'eau.

⚠ AVERTISSEMENT : Ne pas utiliser ce produit avec de l'eau microbiologiquement polluée ou de qualité inconnue sans avoir installé un dispositif de désinfection approprié avant ou après le système.

- On recommande fortement l'installation d'un robinet d'arrêt directement en amont du système de filtration.

INSTRUCTIONS D'INSTALLATION

Avant toute utilisation, on doit installer le système de filtration d'eau (usage domestique) soit à un emplacement adéquat conformément aux instructions d'installation.

- Consulter le service local des travaux publics au sujet des codes de plomberie. L'installation du système de filtration d'eau doit être conforme aux prescriptions du code de plomberie local.
- Utiliser le système de filtration d'eau uniquement sur une canalisation d'eau potable FROIDE. Les cartouches de filtration ne purifient pas l'eau et ne peuvent rendre potable une eau qui ne l'est pas. **NE PAS utiliser ce produit sur une canalisation d'eau CHAUDE (100°F maximum).**
- Protéger le système de filtration d'eau et la tuyauterie contre le gel. La congélation d'eau dans le système lui fera subir des dommages.
- Le système de filtration d'eau peut résister à une pression maximale de 125 lb/po². Si la pression de distribution locale est supérieure à 100 lb/po² durant la journée (elle peut atteindre un niveau plus élevé la nuit), installer un robinet de réduction de pression en amont du système de filtration d'eau.

- Ne pas installer le système sur une canalisation **D'EAU CHAUDE**. La température de l'eau à filtrer doit être située entre 40°F (minimum) et 100°F (maximum). Voir les *Conditions d'utilisation-Spécifications*.

- Lors de l'installation du système de filtration d'eau, **ne pas** utiliser des raccords de cuivre à souder. La chaleur émise lors de l'opération de soudage fera subir des dommages au système.

⚠ AVERTISSEMENT : Éliminer en sécurité les petites pièces qui peuvent rester inutilisées après l'installation; elles peuvent susciter un danger d'étouffement pour les jeunes enfants.

- **Ne pas** installer le filtre à l'extérieur ou à un endroit exposé au rayonnement solaire.

OUTILLAGE ET ACCESSOIRES REQUIS

POUR L'INSTALLATION

- 2 clefs : 1½ po et 1¼ po
- Coupe-tuyau ou scie à métaux
- Lime
- Papier Émeri
- Tournevis
- Pour le modèle **GXWH01C**, il peut être nécessaire d'avoir des accessoires complémentaires :
 - (2) adaptateurs de compression de ¾ po avec bague d'extrémité et écrou pour le montage sur tuyau en cuivre – Trousse d'installation disponible :
 - Ensemble disponible (WHKIT)
 - Pièces GE (WS35X10023)
 - Attaches de mise à la masse homologuées UL et fil de mise à la masse en cuivre de calibre 8 – Trousse d'installation disponible :
 - Ensemble disponible (WHKIT)
 - Pièces GE (WS35X10023)
 - Ruban en Téflon®
 - Clef pour puisard
 - Ensemble disponible (UCWRNCH)
 - Pièces GE (WX5X140)

Les accessoires en option sont disponibles. (cartes Visa, Mastercard ou Discovery acceptées) en visitant notre site Web à www.GEAppliances.com ou en vous adressant à notre service des Pièces et Accessoires au 800.626.2002 (aux États-Unis) ou 800.361.3869 (en Canada).

- Si l'appareil est installé sur une tuyauterie en plastique, PVC ou métal galvanisé, il sera nécessaire d'acheter du matériel distinct.

ARTICLES FOURNIS AVEC LE PRODUIT

- Corps de filtre et tête de filtre
- Brochures descriptives
- Filtre à sédiments (pour GXWH08C)
- 2 raccords d'adaptation à compression ¾ po, avec écrou et virole de laiton (pour GXWH08C)
- Ruban de Téflon® (pour GXWH08C)
- Clé pour corps de filtre (pour GXWH08C)
- Brides et conducteur de liaison à la terre (pour GXWH08C)



GXWH01C

Ce système a été testé et homologué par NSF International selon la norme ANSI/NSF 42, pour réduction nominale de la concentration de particules, classe III.



GXWH08C

Ce système a été testé et homologué par NSF International selon la norme ANSI/NSF 42, pour réduction nominale de la concentration de particules, classe III.

LA CARTOUCHE DE FILTRATION

Conditions d'utilisation—Spécifications

Pression de distribution de l'eau (minimum-maximum) : 20-125 livres/po²

Température de l'eau (minimum-maximum) : 40°F/100°F

Débit nominal en service : 4 gal./min

Longévité des cartouches de filtration

La longévité en service des cartouches de filtration du système dépend de diverses variables comme :

- concentration de sédiments et autres substances indésirables.
- volume de consommation d'eau.
- type d'utilisation (filtration de la totalité ou d'une partie seulement de l'eau consommée).

| MODÈLE GE | FONCTION | LONGÉVITÉ | MATÉRIAU |
|-----------|----------------------------------|-----------------------|-----------------------|
| FXUSC | Sédiments 15 microns | 3 mois/16 000 gallons | Bobinage de polyester |
| FXWPC | Sédiments | 3 mois/16 000 gallons | Plissage |
| FXWSC | Sédiments 10 microns | 3 mois/16 000 gallons | Bobinage |
| FXWTC | Sédiments 5 microns Chlore | 3 mois/15 000 gallons | Carbone/papier |

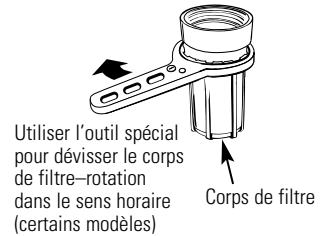
*La Certification NSF pour une réduction particulière est applicable seulement au FXUSC et au FXWTC lorsqu'utilisés dans les systèmes de filtration GXWH01C ou GXWH08C.

Remplacement de la cartouche de filtration

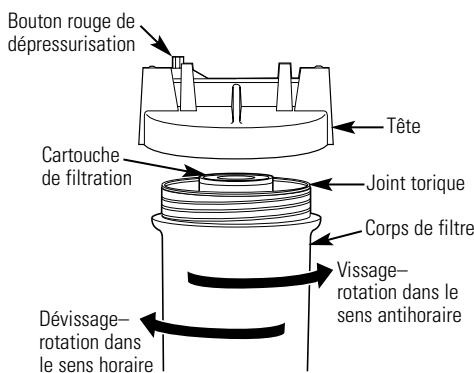
On doit changer la cartouche de filtration lorsque le débit d'eau diminue sensiblement, et au moins à intervalles de trois mois.

- 1 Fermer l'arrivée d'eau au filtre. Pour le modèle GXWH01C, on doit fermer le robinet d'arrêt en amont. Pour le modèle GXWH08C, placer le robinet de dérivation à la position «dérivation».
- 2 Dépressuriser le système : appuyer sur le bouton rouge.
- 3 Dévisser le corps de filtre; jeter la vieille cartouche. Laver le corps de filtre avec de l'eau et un savon doux. **Ne pas** utiliser de l'eau chaude ou un produit de nettoyage énergique.
- 4 Inspecter le joint torique du corps de filtre. Veiller à ce qu'il soit légèrement lubrifié et bien emboîté dans la rainure. Remplacer le joint torique s'il est endommagé.
- 5 Placer la nouvelle cartouche de filtration dans le corps de filtre; placer correctement et bien centrer la cartouche sur le joint du fond.
- 6 Revisser le corps de filtre sur la tête. Il suffit de serrer à la main.

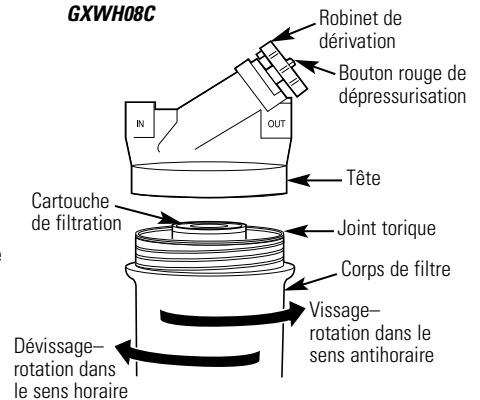
- 7 Rétablir lentement l'arrivée d'eau au filtre avec le robinet de dérivation (modèle GXWH08C) ou le robinet d'arrêt en amont.
- 8 Appuyer sur le bouton rouge pour permettre l'évacuation de l'air piégé.
- 9 Ouvrir un robinet en aval, et effectuer un rinçage du système pendant 5 minutes.



GXWH01C



GXWH08C

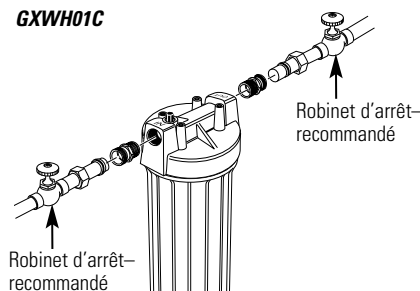


ÉTAPES DE L'INSTALLATION

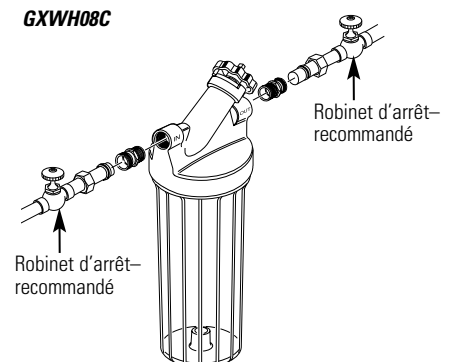
Illustration de l'installation

NOTE : Veiller à ce qu'il y ait un espace libre d'au moins 1½ po sous le filtre pour l'extraction du corps de filtre lors du changement de la cartouche.

GXWH01C



GXWH08C



ÉTAPES DE L'INSTALLATION (suite)

Emplacement d'installation

Choisir l'emplacement approprié comme suit :

- pas d'exposition au gel.
- pas d'exposition au rayonnement solaire direct.

Pose des raccords

Les instructions sont destinées à l'installation des raccords fournis avec le filtre (pour certains modèles) ou le WHKIT à la tuyauterie en cuivre de 3/4 po. Si le matériau de la canalisation est différent (plastique, PVC, acier galvanisé), il sera nécessaire de faire l'achat de quincaillerie différente. Voyez les instructions couvrant le matériel complémentaire acheté ou consultez un plombier qualifié.

Enrouler environ 6 po de ruban de Teflon® (sens horaire) sur le

On recommande d'installer un robinet d'arrêt de chaque côté du filtre.

filetage de chaque raccord d'adaptation. **NE PAS** utiliser un composé d'étanchéité.

Installer une adaptateur sur la tête du filtre, à l'entrée et à la sortie. Commencer le vissage à la main et veiller à ne pas détériorer le filetage. Serrer ensuite avec une clé de 1 1/8 po.

NE PAS SERRER EXCESSIVEMENT.

Un filet ou deux doivent rester visibles.



Sectionnement de la canalisation d'eau

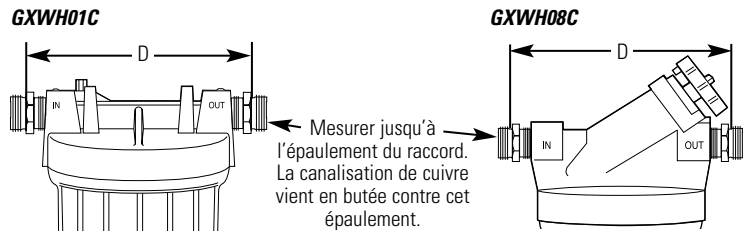
1 Fermer l'arrivée d'eau; ouvrir un robinet pour purger l'eau des tuyauteries.

2 Conserver à part l'écrou et la virole de laiton des raccords à compression. À l'aide d'un ruban-mètre ou d'une règle, mesurer la distance «D» indiquée sur l'illustration.

■ **NOTE** : On recommande d'installer un robinet d'arrêt avant et après le filtre—voir l'illustration de l'installation.

■ Choisir l'emplacement d'installation du filtre. Marquer la distance «D» sur la tuyauterie.

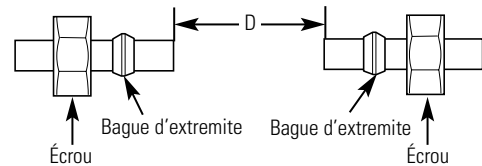
3 Avec un coupe-tuyau ou une scie à métaux, couper la canalisation. Poncer à chaque extrémité pour éliminer les bavures.



Installation des raccords sur la canalisation

1 Sur chaque tuyau, enfiler l'écrou de compression.

2 Enfiler ensuite la bague d'extrémité sur chaque tuyau.



Installation du filtre

1 Aligner le filtre avec les deux sections de la canalisation; veiller à ce que la canalisation **d'arrivée** soit placée devant l'entrée du filtre, marquée «IN». Il peut être nécessaire d'écartier les deux sections de la tuyauterie pour installer le filtre.

2 Immobiliser le raccord avec une clé de 1 1/8 po, et serrer l'écrou avec une clé de 1/4 po. Répéter ceci pour chaque raccord.

3 Si nécessaire, soutenir la tuyauterie d'eau de chaque côté du filtre.

Installation du conducteur de liaison à la terre

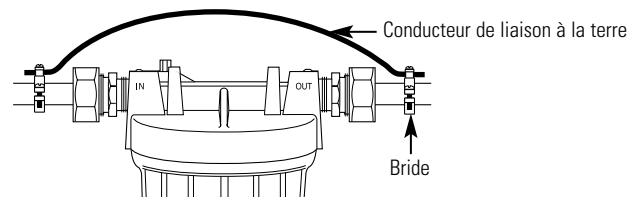
IMPORTANT : Fréquemment, on utilise un tuyau d'eau froide en cuivre ou en métal galvanisé pour effectuer une liaison à la terre des prises électriques de la maison. **Cette mise à la masse vous protège contre les chocs électriques** et cette liaison à la terre peut voir été neutralisée par le logement du filtre d'eau. Pour rétablir la connexion, montez un fil en cuivre de 12 po et de calibre 8 le long du filtre, lequel sera fixé solidement au moyen d'attaches en bronze homologuées par UL de dimensions variant entre 1/2 po – 1 po à chaque extrémité comme indiqué. N'utilisez pas d'attaches en zinc sur le cuivre. Pour le modèle **GXWH01C**, il est possible d'acquiescer le fil et les attaches séparément chez votre visitant notre site Web à www.GEAppliances.com ou en vous adressant à notre service des Pièces et Accessoires au 800.626.2002 (aux Etats-Unis) ou 800.361.3869 (En Canada). Commandez la pièce portant le numéro WHKIT.

1 Nettoyez le fil en cuivre et ses extrémités avec du papier Émeri. Il est recommandé de dénuder le fil. Si le fil est isolé, il faut le dénuder sur une longueur de 3/4 po à chaque extrémité avant de les passer au papier Émeri.

2 Placez les attaches en bronze sur le fil. Serrez les vis.

3 Fixez le fil sur les attaches comme indiqué. Serrez les vis.

NOTE : Si les tuyauteries de votre domicile sont en plastique, elles ne peuvent être utilisées pour une liaison à la terre, dans ce cas, ignorez cette étape.



Contrôle final

1 Installez le filtre si vous ne l'avez pas encore fait. (Voir la partie de *Remplacement de la cartouche de filtre*).

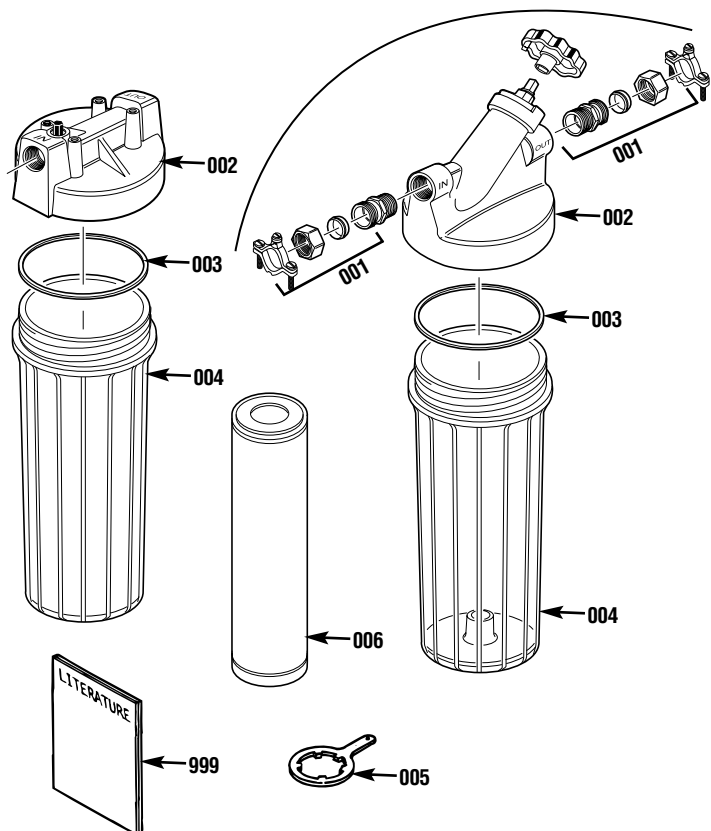
2 Ouvrir doucement l'arrivée d'eau.

3 Inspecter l'ensemble du système pour rechercher les fuites.

4 S'il y a une fuite, fermer l'arrivée d'eau et resserrer les raccords ou améliorer leur étanchéité.

5 Ouvrir un robinet en aval, et effectuer un rinçage du système pendant 5 minutes.

LISTE DES PIÈCES



| N° de repérage | Pièce n° | Description | G X W H 0 1 C | G X W H 0 8 C |
|----------------|------------------------|--|---------------------------------|---------------------------------|
| 001 | WS35X10023 ou WHKIT | Pièces de raccordement | — | 1 |
| 002 | WS19X10012 | Tête du filtre, avec évent | 1 | — |
| | WS19X10013 | Tête du filtre, avec robinet | — | 1 |
| 003 | WS03X10038 | Joint torique | 1 | 1 |
| 004 | WS30X10003 | Corps de filtre—blanc | 1 | — |
| | WS30X10004 | Corps de filtre—transparent | — | 1 |
| 005 | WX5X140 | Clé pour corps de filtre | — | 1 |
| 006 | FXUSC | Cartouche de filtration—polyester bobiné | — | 1 |
| | FXWPC | Cartouche de filtration—plissée | — | — |
| | FXWSC | Cartouche de filtration—bobine | — | — |
| | FXWTC | Cartouche de filtration—carbone/papier | — | — |
| 999 | 49-50043 | Instructions d'installation et d'utilisation | 1 | 1 |

Pour obtenir des pièces de rechange, composez sans frais le 800.626.2002 (États-Unis), le 800.663.6060 (Canada, langue anglaise), le 800.361.3869 (Canada, langue française).

GARANTIE LIMITEE DE UN AN

- *Que couvre la garantie?*
 - Tout défaut de matériel ou de main d'oeuvre du produit
 - *Q'est-ce qui n'est pas couvert par la garantie?*
 - Les cartouches de filtre
 - Les déplacements à votre domicile pour vous enseigner comment utiliser le produit
 - Une installation incorrecte
 - Une panne du produit causée par un abus d'utilisation, une mauvaise utilisation, toute modification ou une utilisation du produit dans un but non prévu
 - Défauts entraînés par une installation incorrecte ou tout dommage non imputable à GE
 - Responsabilité de GE couverte par cette garantie ou toute autre garantie couvrant tout dommage indirect
 - Produits utilisés pour des applications industrielles ou commerciales
 - Utilisation de ce produit lorsque l'eau est microbiologiquement impure ou de qualité inconnue sans qu'une désinfection adéquate n'ait eu lieu avant l'entrée et sortie dans le circuit. Les systèmes homologués pour une réduction des microbes peuvent être utilisés après désinfection de l'eau pouvant contenir des microbes filtrables.
 - Tout dommage causé au produit par accident, incendie, inondation ou acte de Dieu
 - **Tout dommage fortuit ou indirect causé par des défauts éventuels de cet appareil, son installation ou les réparations effectuées**
 - *Quelle est la durée de la garantie après l'achat?*
 - Un an.
 - *Comment dois-je faire ma réclamation?*
 - Ramenez le produit au magasin où vous l'avez acheté avec une exemplaire de la "Preuve d'achat". Cette garantie exclut les coûts d'expédition ou les déplacements de service à votre domicile.
 - *Quel est le statut de cette garantie vis-à-vis de la loi?*
 - Cette garantie vous donne des droits légaux spécifiques. Il est possible que vous ayez d'autres droits qui varient d'état en état. **CETTE GARANTIE REMPLACE DE TOUTE AUTRE GARANTIE, QU'ELLE SOIT EXPRIMEE OU SOUS-ENTENDUE, INCLUANT LES GARANTIES DE NEGOCE ET DE CONVENANCE DANS UN BUT PARTICULIER.**
- Veillez nous contacter à www.GEAppliances.com, ou composez le 800.GE.CARES (États-Unis) et sans frais le 866.777.7627 (Canada).*

INSTRUCCIONES DE INSTALACION

Sistema de filtración de agua para el hogar — GXWH01C y GXWH08C

PRECAUCIONES DE SEGURIDAD

- Consulte con su departamento de obras públicas local y estatal para los códigos de plomería y sanidad. Usted debe seguir estas reglas a medida que instale el sistema de filtración de agua para el hogar. El uso de un instalador calificado es recomendado.
- Asegúrese que el abastecimiento de agua cumple con las Guías de Especificaciones. Si las condiciones del

abastecimiento de agua son desconocidas, póngase en contacto con su compañía de agua municipal.

- ▲ **ADVERTENCIA:** No use con agua que sea bacteriológicamente insegura o de calidad desconocida sin una desinfección adecuada antes o después del sistema.
- Es altamente recomendado que la válvula de cierre sea colocada directamente hacia arriba de su filtro de hogar.

INSTALACION CORRECTA

Este sistema de filtración de agua para el hogar debe ser instalado y ubicado correctamente de acuerdo con las instrucciones de instalación antes de ser usado.

- **Consulte con su departamento de obras públicas local para los códigos de plomería. Usted debe seguir sus guías a medida que instale el sistema de filtración de agua para el hogar.**
- **Use el sistema de filtración de agua para el hogar solamente en un abastecimiento de agua potable fría de hogar, que sea buena para beber. El cartucho del filtro no purificará el agua o hará que el agua que no sea buena sea potable. NO use en agua caliente (100°F máx.).**
- **Proteja el sistema de filtración de agua para el hogar y las cañerías de la congelación. El que se congele en el sistema lo dañará.**
- **Su sistema de filtración de agua para el hogar soportará hasta 124 psi de presión de agua. Si la presión de agua de su casa es más de 100 psi durante el día (podría alcanzar niveles más altos durante la noche), instale una válvula para reducir la presión antes de que el sistema sea instalado.**

- No instale en **AGUA CALIENTE**. La temperatura de la línea de agua hacia el sistema de filtración de agua para el hogar debe estar entre el mínimo de 40°F, y el máximo de 100°F. Vea las *Guías de Especificaciones*.

- No instale el sistema de filtración de agua para el hogar usando uniones de cobre soldadas. El calor del proceso de las soldaduras dañará la unidad.

- ▲ **ADVERTENCIA:** Bote todas las partes y los materiales de empaque sin usar después de la instalación. Las partes pequeñas que sobren después de la instalación podrían ser un peligro para atragantarse.

- No instale el filtro en una ubicación exterior o en un lugar donde esté expuesto a la luz del sol.

HERRAMIENTAS Y ACCESORIOS QUE SE NECESITAN PARA LA INSTALACION

- 2 llaves inglesas: 1½" y 1¼"
- Cortador de tubos o sierra para metales
- Lima
- Papel de esmeril
- Destornillador
- Para el modelo **GXWH01C**, es posible que se necesite partes adicionales para completar la instalación:
 - (2) ¾" adaptadores de compresión con férula de bronce y tuercas para instalar en tuberías de cobre. El kit para la instalación está disponible:
 - Venta al por menor, parte (WHKIT)
 - Partes de GE (WS35X10023)
 - Abrazaderas de toma de tierra aprobadas por UL y cable de toma de tierra de cobre calibre 8. El kit para la instalación está disponible:
 - Venta al por menor, parte (WHKIT)
 - Partes de GE (WS35X10023)
 - Cinta de teflón®
 - Llaves inglesas para sumideros
 - Venta al por menor, parte (UCWRNCH)
 - Partes de GE (WX5X140)

Los accesorios opcionales están disponibles (usando Visa, MasterCard o Discover) visitando nuestro Website a www.GEAppliances.com o en el Departamento de Partes y Accesorios en el 800.625.2002.

- Si la unidad es para ser instalada en plástico, pvc, o tubería galvanizada, deberá comprar por separado más herramientas

CONTENIDOS INCLUIDOS CON EL PRODUCTO

- Caja y cabeza del filtro
- Literatura del producto
- Filtro para sedimento (para GXWH08C)
- (2) adaptadores uniones de compresión de bronce de ¾" con tuerca y férula (para GXWH08C)
- Cinta de teflón® (para GXWH08C)
- Llave para el receptáculo (para GXWH08C)
- Abrazadera y alambre para hacer tierra (para GXWH08C)



GXWH01C

El sistema está probado y certificado por NSF International contra las Normas 42 de ANSI/NSF para reducción de partículas nominativas Class III.



GXWH08C

El sistema está probado y certificado por NSF International contra las Normas 42 de ANSI/NSF para reducción de partículas nominativas Class III.

251B6021P001 10-01 JR 49-50043-3

www.GEAppliances.com

GENERAL ELECTRIC COMPANY, Appliance Park, Louisville, KY 40225

LOS CARTUCHOS DEL FILTRO

Guías de Especificaciones

Mínima-Máxima presión de abastecimiento de agua: 20-125 libras por pulgada cuadrada (psi)

Mínima-Máxima temperatura del abastecimiento de agua: 40°F/100°F

Valor de paso de servicio: 4 gpm

Vida del cartucho del filtro

Varias variables determinan cuánto tiempo durará el cartucho en su sistema de filtración de agua para el hogar. Estos incluyen:

- niveles de sedimento u otras sustancias indeseables en su agua.
- la cantidad de agua que use.
- la ubicación del filtro (filtrando toda o parte del agua del hogar).

| MODELO GE | FUNCION | VIDA | CONSTRUCCION |
|-----------|----------------------------------|------------------------|---------------------|
| FXUSC | Sedimento 15 micrones | 3 meses/16.000 galones | Polyspun |
| FXWPC | Sedimento | 3 meses/16.000 galones | Plegado |
| FXWSC | Sedimento 10 micrones | 3 meses/16.000 galones | Enrollado con hilos |
| FXWTC | Sedimento 5 micrones Cloro | 3 meses/15.000 galones | Papel carbón |

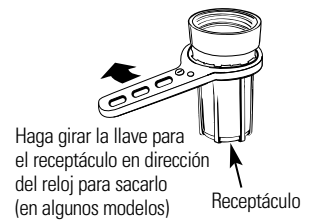
*La Certificación NSF para reducción de partículas se aplica solamente en FXUSC y FXWTC cuando son usados en Sistemas de Filtración GXWH01C ó GXWH08C.

Reemplazo del cartucho del filtro

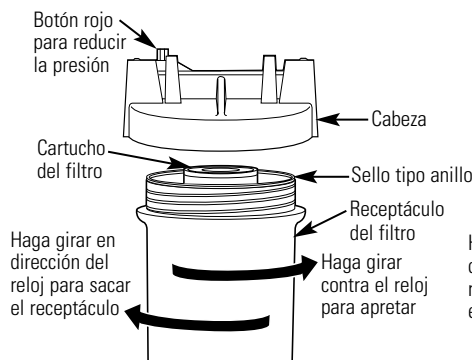
Usted debería cambiar el filtro cuando el paso del agua disminuye notablemente o por lo menos cada tres meses.

- 1 Cierre el paso del agua al filtro. Para el modelo GXWH01C, el agua se debe cerrar en una válvula paso arriba. Para el modelo GXWH08C, haga rotar la válvula tipo "bypass" a la posición "bypass."
- 2 Empuje el botón rojo para reducir la presión para bajar la presión.
- 3 Desatornille el receptáculo y bote el filtro usado. Lave el receptáculo del filtro con un jabón suave y agua. **No** use limpiadores fuertes o agua caliente.
- 4 Inspeccione el anillo del receptáculo. Asegúrese que esté levemente lubricado y completamente asentado en la ranura. Se recomienda que cambie el anillo si está dañado.
- 5 Coloque un filtro nuevo en el receptáculo asegurándose de que esté centrado y completamente asentado sobre el fondo del sello.
- 6 Reinstale el receptáculo del filtro a la unidad. Apretarlo con la mano es todo lo que se necesita para sellar la unidad.

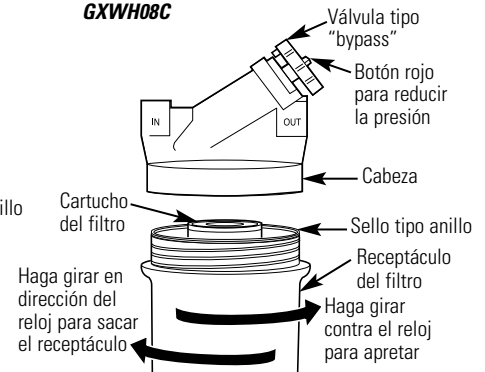
- 7 Lentamente abra el paso del agua hacia el filtro usando la válvula tipo "bypass" (modelo GXWH08C) o en la válvula de cierre paso arriba.
- 8 Empuje el botón rojo para reducir la presión para sacar el aire atrapado.
- 9 Abra cualquier llave de agua hacia abajo y permita que el sistema de filtración se lave por 5 minutos.



GXWH01C



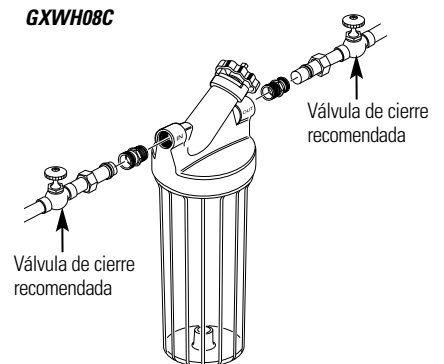
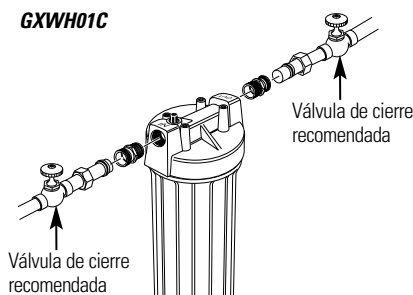
GXWH08C



INSTRUCCIONES DE INSTALACION PASO A PASO

Sumario de la instalación

NOTA: Asegúrese de dejar un espacio mínimo de 1½" debajo del filtro para sacar el esceptáculo, para cambiar el cartucho.



Seleccione la ubicación

Seleccione una ubicación para el filtro que esté:

- protegida de la congelación.
- que no esté expuesta a la luz directa del sol.

Se recomienda instalar una válvula de cierre en ambos lados del filtro.

Instalación de las uniones

Las instrucciones son para instalar los accesorios que han sido proporcionados con el filtro (en algunos modelos) o la pieza WHKIT en una tubería de cobre de 3/4". Si la unidad va a ser instalada con cualquier otro tipo de tuberías (plástico, PVC, galvanizado), debe comprarse diferente tipo de herramienta. Lea las instrucciones para la compra adicional de herramientas, o consulte con un plomero calificado.

Aplique unas 6" de cinta teflón®, en dirección del reloj, a los

hilos del tubo (curso) de cada adaptador. **No** use compuestos para uniones sobre ninguna de las partes.

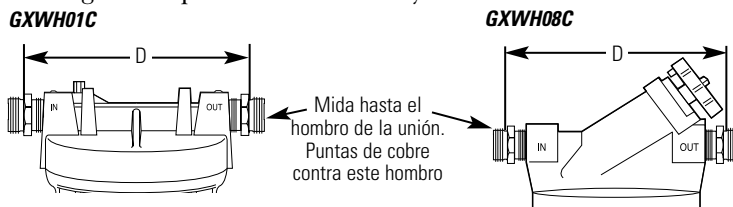
Arme un adaptador en la entrada y la salida de la cabeza. Empiece cada unión con la mano para estar seguro que los hilos no se crucen. Use una llave inglesa de 1 1/8" firmemente. **NO APRIETE DEMASIADO.** Uno o dos hilos deberían permanecer visibles.



Corte de la línea de agua

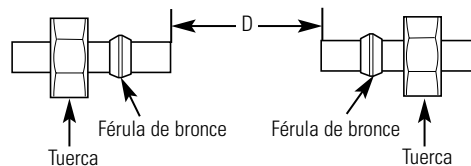
- 1 Cierre el paso del agua y abra una llave de agua cercana para sacar el agua de las cañerías.
 - 2 Saque la tuerca y la férula de las dos uniones de compresión y póngalas a un lado. Usando una cinta para medir o una regla, mida la distancia "D" como se muestra.
- **NOTA:** Se recomienda que la válvula de cierre sea colocada antes y después del filtro como se muestra en la ilustración *Sumario de la Instalación*.

- Seleccione la ubicación para el filtro. Marque la distancia "D" sobre el tubo.
- 3 Usando un cortador de cañerías o una sierra para cañerías, corte el tubo. Lije (lime) las puntas cortadas para asegurarse que estén cuadradas y suaves.



Conecte las uniones a la línea de agua

- 1 Deslice una tuerca de compresión en cada cañería.
- 2 Luego, deslice la férula de bronce en cada cañería.



Instalación de la unidad

- 1 Ponga en línea el juego del filtro con las puntas de la cañería asegurándose que **la entrada** de la línea del agua vaya hacia la abertura marcada "IN". Podría ser necesario abrir las puntas de las cañerías para instalar el juego del filtro.

- 2 Usando una llave inglesa de 1 1/8" para sujetar el adaptador en su lugar, use una llave inglesa de 1/4" para apretar la tuerca. Repita el proceso para las otras uniones.
- 3 Si es necesario, sujete la cañería de agua en cualquier lado de la unidad del filtro.

Instalación del cable de tierra

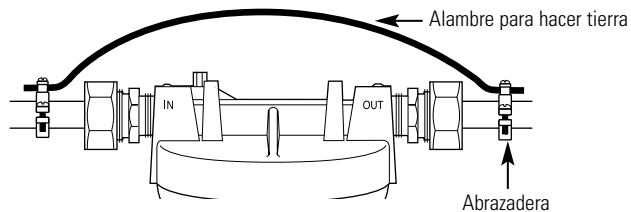
IMPORTANTE: Una tubería de agua fría galvanizada interiormente o de cobre es usada muy a menudo para conectar a tierra los tomacorrientes eléctricos en las casas. **Una toma de tierra lo protege de descargas eléctricas.** El alojamiento del filtro de agua pudo haber interrumpido la trayectoria de tierra. Para restablecer la conexión, instale un cable de cobre de 12", de calibre 8 a través del filtro, fuertemente sujeto utilizando abrazaderas de tierra de bronce de 1/2" a 1" aprobada por UL en ambos extremos de la línea como se muestra en la ilustración. Usted no debe usar abrazaderas de cinc en tubería de cobre. Para el modelo GXWH01C, el cable y las abrazaderas pueden ser compradas por separado en su ferretería local, o están disponibles visitando nuestro Website a www.GEAppliances.com o en nuestro Departamento de Partes y Accesorios al 800.626.2002 – ordene el número de la parte WHKIT.

utilice cable desnudo. Si utiliza cable aislado, las puntas deberían estar desnudas de su protector, aproximadamente 3/4" antes de proceder a limpiarlas con papel de esmeril.

- 1 Limpie la tubería de cobre y los extremos del cable con papel de esmeril. El cable debe ser por lo menos calibre 6 para un circuito de 200 amperios, calibre 8 para un circuito de 100 amperios. Se recomienda que

- 2 Sujete las abrazaderas de bronce a la tubería de cobre. Apriete los tornillos.
- 3 Sujete el cable a las abrazaderas tal como se muestra en la figura. Apriete los tornillos.

NOTA: Si la tubería de su casa es de plástico no debería ser usada para efectuar la conexión de tierra, y este paso puede ser obviado.

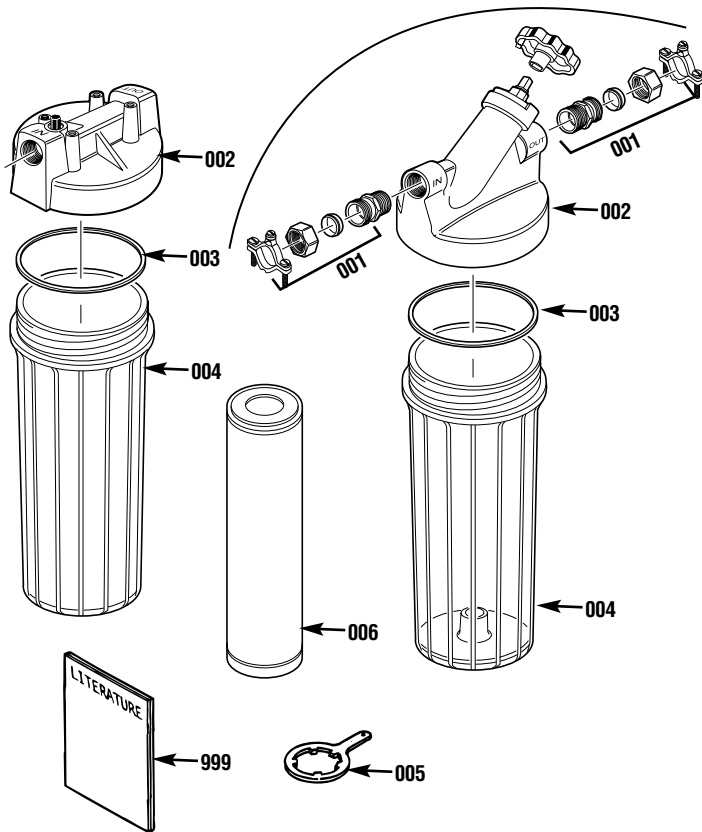


Revisión final

- 1 Instale el filtro, si no lo ha hecho aún. (Vea la sección para *Reemplazo del cartucho del filtro*).
- 2 Lentamente abra el paso del agua.

- 3 Revise todo el sistema para que no hayan goteras.
- 4 Si hay goteras, cierre la presión del agua o reselle las uniones.
- 5 Abra cualquier llave de agua hacia abajo y permita que el sistema de filtración se lave por 5 minutos.

LISTA DE PARTES



| No. de ref. | Parte No. | Descripción | G X W H 0 1 C | G X W H 0 8 C |
|-------------|-----------------------|---|---------------------------------|---------------------------------|
| 001 | WS35X10023 o WHKIT | Juego de instalación | — | 1 |
| 002 | WS19X10012 | Juego de la cabeza con ventilación | 1 | — |
| | WS19X10013 | Juego de la cabeza con juego de válvula | — | 1 |
| 003 | WS03X10038 | Anillo | 1 | 1 |
| 004 | WS30X10003 | Receptáculo-Blanco | 1 | — |
| | WS30X10004 | Receptáculo-Claro | — | 1 |
| 005 | WX5X140 | Llave para receptáculo | — | 1 |
| 006 | FXUSC | Elemento de filtro-Poly Spun | — | 1 |
| | FXWPC | Elemento de filtro-Plegado | — | — |
| | FXWSC | Elemento de filtro-Hilos | — | — |
| | FXWTC | Elemento de filtro-Papel carbón | — | — |
| 999 | 49-50043 | Instrucciones de Instalación | 1 | 1 |

Para obtener partes de repuesto llame sin costo al 800.626.2002 (EE.UU.), 800.663.6060 (Canadá-inglés), 800.361.3869 (Canadá-francés).

GARANTÍA LIMITADA POR UN AÑO

- **¿Qué cubre esta garantía?**
 - Cualquier defecto de fábrica en los materiales o la manufactura del producto
- **¿Qué no cubre esta garantía?**
 - Cartuchos del filtro
 - Viajes a su casa para enseñarle cómo usar el producto
 - Instalación inadecuada
 - Falla del producto debido a abuso, mal uso, o alteración o uso diferente al propósito deseado con este producto
 - Defectos que resulten de una instalación inadecuada o daños no causados por GE
 - Responsabilidad de parte de GE bajo esta o cualquier otra garantía por cualquier daño indirecto o por consecuencia de otro evento
 - Productos que son usados con fines comerciales o industriales
 - Uso de este producto donde el agua está microbiológicamente insegura o de calidad desconocida, sin la adecuada desinfección, antes y después de ser procesada por el sistema. Los sistemas certificados para reducir el nivel de quistes pueden ser usados en agua desinfectada que pueda contener quistes que se puedan filtrar.
- Daños causados al producto debido a accidentes, incendio, inundaciones o actos de la naturaleza.
- **Daños secundarios o por consecuencia causados por posibles defectos en el producto, su instalación o reparación.**
- **¿Por cuánto tiempo después de la compra?**
 - Un año
- **¿Cómo hago la reclamación de la garantía?**
 - Devuélvala al minorista a quien le compró el producto con una copia de “Proof of Purchase” (prueba de compra). Esta garantía excluye los costos de envío o llamadas de servicio a domicilio.
- **¿Cómo la ley estatal se relaciona con esta reclamación de garantía?**
 - Esta garantía le otorga derechos legales específicos, y también puede tener otros derechos que varían de estado a estado. **ESTA GARANTÍA PROCURA SUSTITUIR OTRAS GARANTÍAS, HAYAN SIDO ESTAS GARANTÍAS EXPRESADAS O IMPLICADAS, INCLUYENDO LAS GARANTÍAS DE MERCADEO Y APTAS PARA UN PROPÓSITO EN PARTICULAR.**

Contáctenos en www.GEAppliances.com, o llame al 800.GE.CARES (EE.UU.), llamada sin costo 866.777.7627 (Canada).