



Portable Room Air Conditioner

Safety Instructions2, 3

Operating Instructions

About the Controls
on the Air Conditioner4, 5
Drain Hose6
Remote Control4-6
Water Bucket6

Care and Cleaning

Air Filter7
Cleaning the Coil7
Grille and Case7
Water Bucket7

Installation Instructions8-13

Troubleshooting Tips14

Consumer Support

Consumer Support16
Warranty15

***Owner's Manual and
Installation Instructions***

APE08

**Write the model and serial
numbers here:**

Model # _____

Serial # _____

You can find them on a label on
the back of the air conditioner.



IMPORTANT SAFETY INFORMATION. READ ALL INSTRUCTIONS BEFORE USING.

⚠ WARNING!

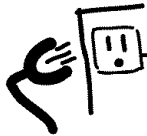
For your safety, the information in this manual must be followed to minimize the risk of fire, electric shock or personal injury.



SAFETY PRECAUTIONS

When using this portable air conditioner, always follow basic safety precautions, including the following:

- Use this appliance only for its intended purpose as described in this Owner's Manual.
- **This portable air conditioner must be properly installed as described in this manual before it is used.**
- Never unplug your portable air conditioner by pulling on the power cord. Always grip plug firmly and pull straight out from the receptacle.
- **Replace immediately all electric service cords** that have become frayed or otherwise damaged. A damaged power supply cord must be replaced with a new power supply cord obtained from the manufacturer and not repaired. Do not use a cord that shows cracks or abrasion damage along its length or at either the plug or connector end.
- Turn the portable air conditioner **OFF** and unplug it before cleaning.
- GE does not support any servicing of the air conditioner. We strongly recommend that you do not attempt to service the air conditioner yourself.
- For your safety, do not store or use combustible materials, gasoline or other flammable vapors or liquids in the vicinity of this or any other appliance.
- All air conditioners contain refrigerants, which under federal law must be removed prior to product disposal. If you are getting rid of an old product with refrigerants, check with the company handling disposal about what to do.



HOW TO CONNECT ELECTRICITY

Do not, under any circumstances, cut or remove the third (ground) prong from the power cord. For personal safety, this appliance must be properly grounded.

Use a 15 amp time delay fuse or circuit breaker.

The power cord of this appliance is equipped with a 3-prong (grounding) plug which mates with a standard 3-prong (grounding) wall outlet to minimize the possibility of electric shock hazard from this appliance.

Power cord includes a current interrupter device. A test and reset button is provided on the plug case. The device should be tested on a periodic basis by first touching the **TEST** button and then the **RESET** button. If the **TEST** button does not trip or if the **RESET** button will not stay engaged, discontinue use of the air conditioner and contact a qualified service technician.

Have the wall outlet and circuit checked by a qualified electrician to make sure the outlet is properly grounded.

Where a 2-prong wall outlet is encountered, it is your personal responsibility and obligation to have it replaced with a properly grounded 3-prong wall outlet.

The air conditioner should always be plugged into its own individual electrical outlet, which has a voltage rating matching the rating plate.

This provides the best performance and also prevents overloading house wiring circuits, which could cause a fire hazard from overheated wires.



USE OF EXTENSION CORDS

Because of potential safety hazards under certain conditions, we strongly recommend against the use of an extension cord.

However, if you must use an extension cord, it is absolutely necessary that it be a UL-listed, 14 gauge, 3-wire grounding type appliance extension cord having a grounding type plug and outlet and that the electrical rating of the cord be 15 amperes (minimum) and 125 volts.



USE OF ADAPTER PLUGS

Because of potential safety hazards under certain conditions, we strongly recommend against the use of an adapter plug.

However, if you must use an adapter, where local codes permit, a **temporary connection** may be made to a properly grounded 2-prong wall outlet by use of a UL-listed adapter available at most local hardware stores.

The larger slot in the adapter must be aligned with the larger slot in the wall outlet to provide proper polarity in the connection of the power cord.

When disconnecting the power cord from the adapter, always hold the adapter in place with one hand while pulling the power cord plug with the other hand. If this is not done, the adapter ground terminal is very likely to break with repeated use.

If the adapter ground terminal breaks, **DO NOT USE** the air conditioner until a proper ground has been established.

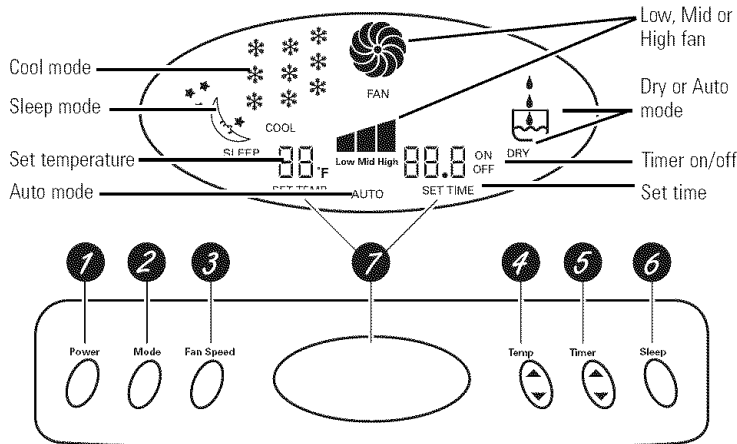
Attaching the adapter ground terminal to a wall outlet cover screw does not ground the appliance unless the cover screw is metal, not insulated, and the wall outlet is grounded through the house wiring. You should have the circuit checked by a qualified electrician to make sure the outlet is properly grounded.



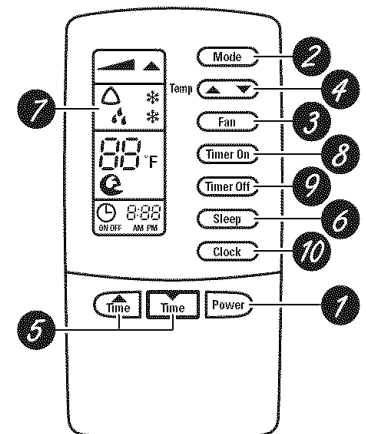
**READ AND FOLLOW THIS SAFETY INFORMATION CAREFULLY.
SAVE THESE INSTRUCTIONS**

About the controls on the air conditioner.

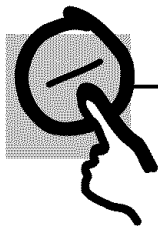
Appearance and features may vary.



Air Conditioner Display and Controls



Remote Control



Controls

- 1 Power Pad**
Turns the air conditioner on and off. (After installing batteries in the remote control, touch **Power** to operate air conditioner settings.)
- 2 Mode**
Use to set the air conditioner to **FAN**, **COOL**, **DRY** and **AUTO** mode.
NOTE: If you have a Cool only model, heat settings will not be active on your model even though **HEAT** appears in the remote control display.
- 3 Fan Speed Pad**
Use to set the fan speed to **LOW**, **MID** or **HIGH**.
- 4 Temp Increase ▲ /Decrease ▼ Pads**
Use to set temperature when in **COOL** mode.
- 5 Timer Increase ▲ /Decrease ▼ Pads**
ON—When the air conditioner is off, it can be set to automatically come on in 1/2–24 hours (or 1/2–18 hours if setting with the remote control) at its previous setting. Touch the **Timer Increase ▲ /Decrease ▼** pads to set the timer in increments.
OFF—When the air conditioner is on, it can be set to automatically turn off in 1/2–24 hours. Touch the **Timer Increase ▲ /Decrease ▼** pads to set the timer in increments.
To cancel the timer, touch the **Timer Increase ▲ /Decrease ▼** pads until the display does not show a time.
- 6 Sleep**
Touch to set the air conditioner to run for 1/2 to 24 hours (or 1–7 hours if setting with the remote control) before it automatically shuts off. Touch the **Timer Increase ▲ /Decrease ▼** pads to set the timer in increments.
After the sleep timer is set, the set temperature will automatically increase in intervals to provide a comfortable sleeping temperature.
To cancel the sleep mode, touch the **Sleep** pad a second time or touch the **Timer Increase ▲ /Decrease ▼** pads until the display does not show a time.
NOTE: The sleep timer will be cancelled if the air conditioner is turned off or the **Timer ON** pad is touched on the remote control.
- 7 Display**
Shows the selected mode, fan speed, set temperature or time remaining on timer. The display will also show **E4** and the unit will signal when the water bucket is full. The dehumidification (**DRY** or **COOL** mode) process will stop but the fan motor will continue to operate.
- 8 Timer On**
Use on the remote control to turn the **Timer** on. Then use the **Time Increase ▲ /Decrease ▼** pads to set the timer in increments. Touch **Timer On** again to send time setting to unit.
- 9 Timer Off**
Use on the remote control to turn the **Timer** off.
- 10 Clock**
Use to set the time of day on the remote control display. Touch **Clock** pad and then the **Time Increase ▲ /Decrease ▼** pads to set. Touch **Clock** again to activate.

When the air conditioner is turned on, it will automatically start in the default setting.

Remote Control

- To ensure proper operation, aim the remote control at the signal receiver on the air conditioner.
- The remote control signal has a range of up to 21 feet.
- Make sure nothing is between the air conditioner and the remote control that could block the signal.
- Make sure batteries are fresh and installed correctly—see the *Using the portable air conditioner* section.

FAN Mode

Use the **FAN** at **HIGH**, **MID** or **LOW** to provide air circulation and filtering without cooling. Since fan only settings do not provide cooling, a temperature setting will not be displayed.

COOL Mode

Use the **COOL** mode with **HIGH**, **MID** or **LOW** fan for cooling. Use the **Temp INCREASE ▲ /DECREASE ▼** pads to set the desired temperature between 61°F and 86°F in 1°F increments.

A thermostat is used to maintain the room temperature. The compressor will cycle on and off to keep the room at the set level of comfort. Set the thermostat at a lower number and the indoor air will become cooler. Set the thermostat at a higher number and the indoor air will become warmer.

NOTE: If the air conditioner is off and is then turned on while set to a **Cool** setting or if turned from a fan setting to a **Cool** setting, it will take approximately 3 minutes for the compressor to start and cooling to begin.

Cooling Descriptions

For Normal Cooling—Select the **COOL** mode and **HIGH** or **MID** fan with a middle set temperature.

For Maximum Cooling—Select the **COOL** mode and **HIGH** fan with a lower set temperature.

For Quieter & Nighttime Cooling—Select the **COOL** mode and **LOW** fan with a middle set temperature.

NOTE: If you switch from a **COOL** setting to **OFF** or to a fan setting, wait at least 3 minutes before switching back to a **COOL** setting.

DRY Mode

Use the **DRY** mode to provide dehumidification only. The fan will run at a low fixed speed at this setting. Keep windows and doors closed for the best dehumidifying effects. When using the **DRY** mode, detach the exhaust hose from the unit and remove the window slider or seal the opening in the window exhaust adapter.

NOTES:

If you switch from a **DRY** setting to **OFF** or to a fan setting, wait at least 3 minutes before switching back to a **DRY** setting.

The compressor runs in this mode.

AUTO Mode

Set to **AUTO** for the temperature and fan speed to automatically provide optimum comfort settings.

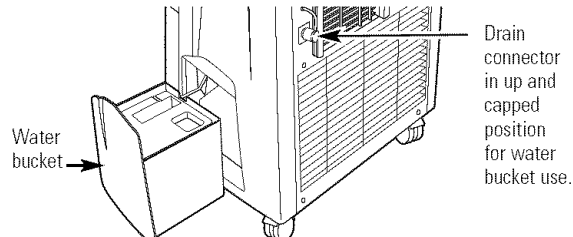
NOTE: **DRY** will also appear in the display when using the **AUTO** mode.

Using the portable air conditioner.

Always make sure the water bucket is locked into place on the portable air conditioner.

Using the Water Bucket

Make sure the drain connector is capped and in the up position. When the bucket is removed, the unit will shut off. Empty and replace the bucket, making sure that it is fully seated in the unit.



IMPORTANT: When using the water bucket to remove collected water, make sure that the drain connector is in the up position and that it is capped. If it is not in the up position water will drain from the connector onto the floor.

When the water bucket is full, a signal will beep and the display will show **E4** until the water bucket has been emptied.

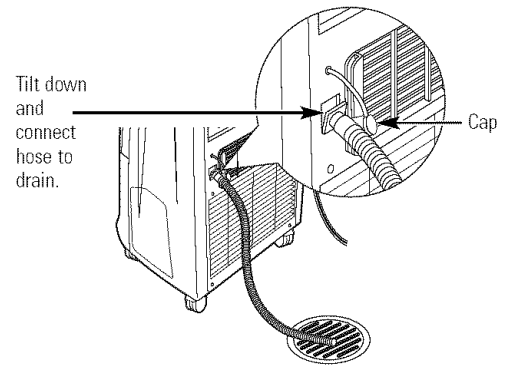
NOTE: The fan will continue to operate even when the water bucket is full. However, the **Cooling** or **Dry** mode will not work until the water bucket has been emptied and replaced correctly.

To empty the water bucket before it is full, turn the unit off and wait for three minutes for all water to collect into the bucket.

Using the Drain Hose

Water can be automatically emptied into a floor drain by uncapping the drain connector, tilting it down and connecting the drain hose. Route the drain hose straight to a floor drain.

IMPORTANT: When the drain connector is tilted down the water will drain through the connector. Make sure the hose is connected and that it is led straight to a floor drain. Never tilt the drain connector down with it capped because draining water will cause the unit to malfunction.



When tilting the drain connector down, always uncap it, attach the drain hose and lead it straight to a floor drain.

How to Insert the Batteries in the Remote Control

- 1 Remove the battery cover by sliding it according to the arrow direction.
- 2 Insert new batteries, making sure that the (+) and (-) of battery are installed correctly.
- 3 Reattach the cover by sliding it back into position.

NOTES:

- Use 2 “AAA” (1.5 volt) alkaline batteries. Do not use rechargeable batteries.
- Remove the batteries from the remote control if the system is not going to be used for a long time.

Care and cleaning of the air conditioner.

ge.com

Turn the air conditioner off and remove the plug from the wall outlet before cleaning.

Grille and Case

To clean the case:

Use water and a mild detergent. Do not use bleach or abrasives.

To clean the front grille:

Use a vacuum attachment or brush.

Air Filter

The air filter is on the back of the air conditioner. **It should be checked and cleaned at least every 30 days or more often if necessary.**

NOTE: DO NOT rinse or put the filter in an automatic dishwasher.

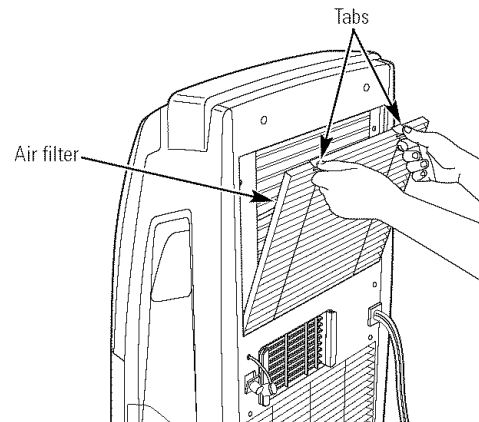
CAUTION: DO NOT operate the air conditioner without the filter because dirt and lint will clog it and reduce performance.

To remove:

Pinch the two filter cover tabs and pull the filter cover out and off. Remove the filter from the cover. Wash it in warm soapy water. Rinse and let the filter dry before replacing it.

To replace:

Hook the filter back onto the filter cover. Place the bottom of the filter cover onto the lower edge of the filter compartment and close it.

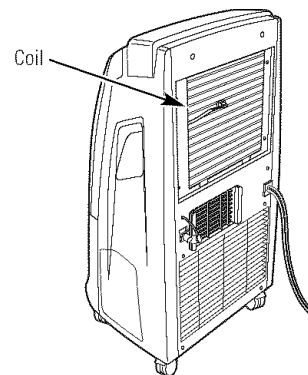


Cleaning the Coil

After removing the air filter cover, clean the coil with a soft brush when the soil is soft and wet.

NOTE: Do not allow water to enter the electrical/machine compartment through the circular opening behind the coil.

Do not spray the coil with a hose.



Water Bucket

Every few weeks, rinse the inside of the water bucket with a mild detergent to prevent growth of mold, mildew and bacteria.

NOTE: DO NOT rinse or put the water bucket in an automatic dishwasher.



Safety Instructions

Operating Instructions

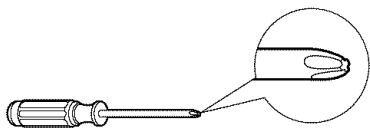
Care and Cleaning

Troubleshooting Tips

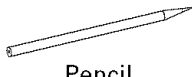
Consumer Support

Installation Instructions

TOOLS YOU WILL NEED



Phillips head screwdriver



Pencil

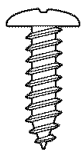


Scissors or knife

PARTS YOU WILL NEED

- Wood filler strip and wood screws (for double-hung windows, to match inner width of window and inner height of window stool)

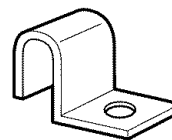
PARTS INCLUDED



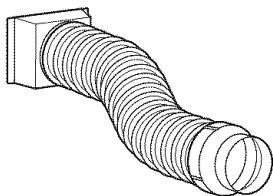
Large Wood Screw (4)



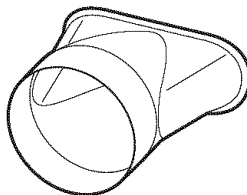
Window Locking Bracket



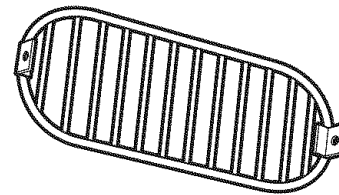
Window Slider Bracket (2)



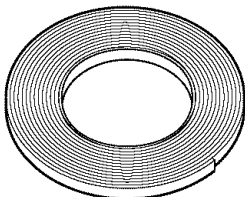
Flexible Exhaust Hose



Window Exhaust Adapter



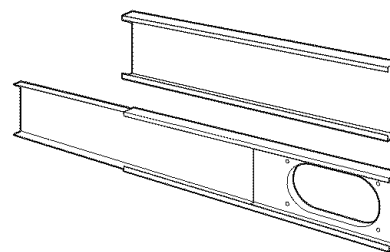
Protective Screen



Foam Seal

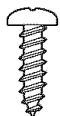
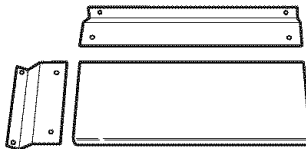


Window Seal (2)



Adjustable Window Slider
(2 for Normal Window Opening,
3 for Long Window Opening)

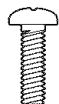
Rain Deflector Assembly



Small Wood Screw (4)



Washer (4)



Bolt (4)



Nut (4)



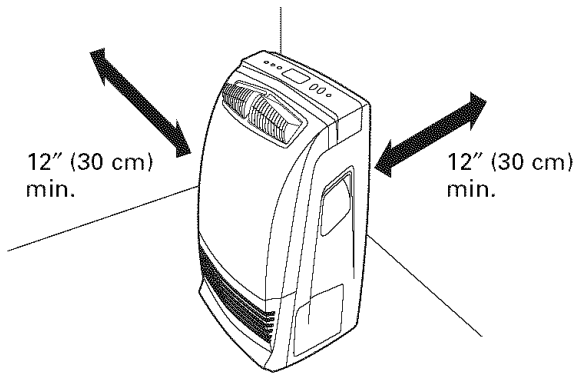
Split-Ring Washer (4)

Installation Instructions

Power cord includes a current interrupter device. A test and reset button is provided on the plug case. The device should be tested on a periodic basis by first pressing the **TEST** button and then the **RESET** button. If the **TEST** button does not trip or if the **RESET** button will not stay engaged, discontinue use of the air conditioner and contact a qualified service technician.

1 CHOOSE A LOCATION

- Place the air conditioner on a smooth, level floor strong enough to support the unit with a full bucket of water.
- Allow at least 12 inches (30 cm) of air space on all sides of the unit for good air circulation.

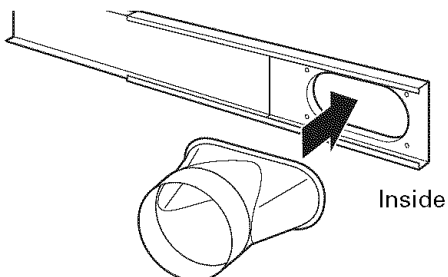


- Place the unit in an area where the temperature will not fall below 65°F (18°C). The coils can become covered with frost at temperatures below 65°F, which may reduce performance.

NOTE: The portable air conditioner has rollers to aid placement, but it should only be rolled on smooth, flat surfaces. Do not attempt to roll the portable air conditioner on carpet or over objects.

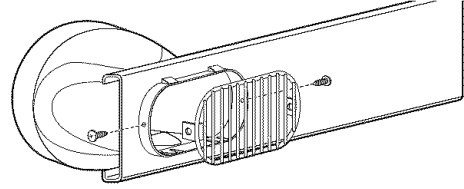
2 ATTACH EXHAUST ADAPTER TO WINDOW SLIDER INSIDE OPENING

- Snap the exhaust adapter into the inside opening of the window slider.



3 ATTACH PROTECTIVE SCREEN TO OUTSIDE OF EXHAUST ADAPTER

- Use two small wood screws on each side to attach the protective screen onto the outside of the exhaust adapter.



4 INSTALL RAIN DEFLECTOR TO OUTSIDE OF ADJUSTABLE WINDOW SLIDER

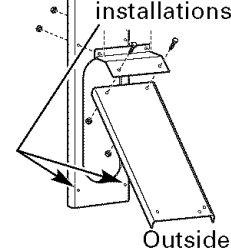
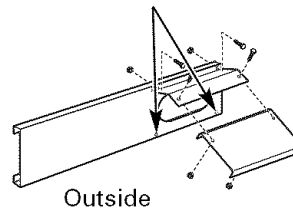
- Remove the appropriate plugs (save for future use) from the window slider and rain deflector to prepare for either a double-hung window installation or a slider window installation. Line up the holes on the rain deflector and the window slider. Use the four bolts, splitting washers and nuts to attach the rain deflector onto the window slider.

Double-Hung Window Installation

Slider Window Installation

Leave these two bolts in place for double-hung window installations

Leave these two plugs in place for sliding window installations

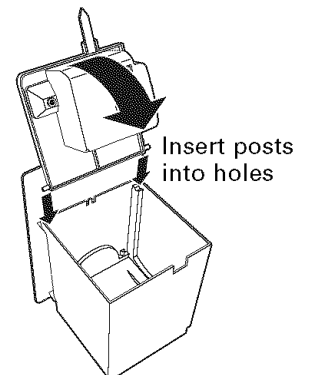


5 INSTALL WATER BUCKET COVER

- A** Remove the shipping tape from the side of the unit and remove the water bucket.

- B** Pull the cover from the bucket and install it by inserting its posts into the holes.

- C** Close the cover and insert bucket into unit.



Installation Instructions

Instructions for installing the window slider in a double-hung window. If you have a sliding window, see instructions on pages 12 and 13.

6 INSTALL WINDOW SLIDER IN WINDOW

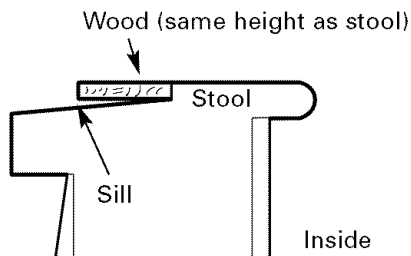
- A** To allow the window to close properly around the adjustable window slider, for inclined window sill, attach a piece of wood to the sill at the back of the window stool. **NOTE:** For a flat sill, no wood is needed.

WOOD PIECE—
WIDTH: 1"

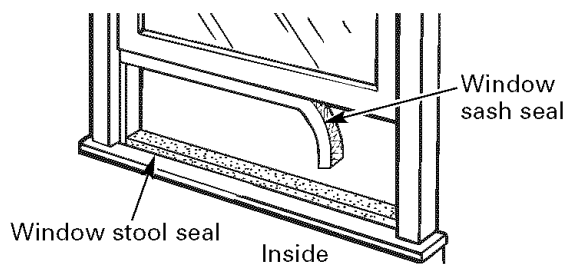
LENGTH: Long enough to fit inside the window frame.

THICKNESS: To determine the thickness, place a piece of wood on the sill behind the window stool to make it the same height as the stool.

Attach securely with nails or screws provided by the installer.

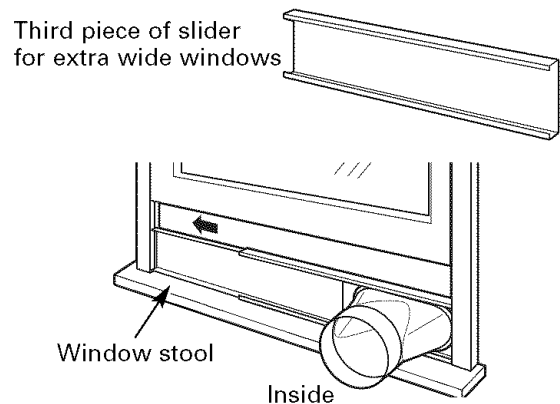


- B** Cut the window sash seal (adhesive-backed) to the window width and stick the adhesive side to the bottom of the sash. Cut the window stool seal (non-adhesive backed) to the window width and place on the window stool.

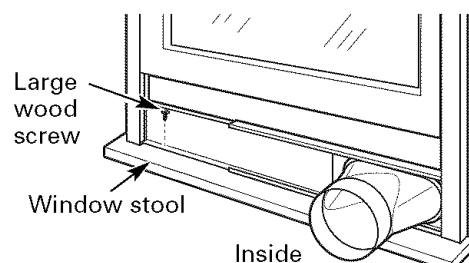


- C** If the window slider is shorter than the width of the window, pull the sliding arm out to the width of the window. If the window slider is longer than the width of the window, cut the slider arm to the width of the window.

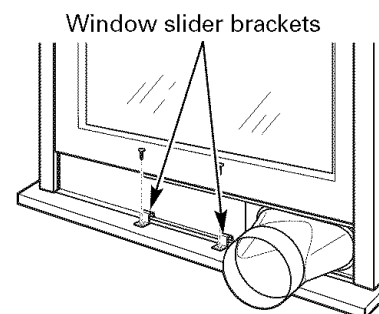
If the two-piece window slider is too short for the width of the window, attach and use the third piece of the slider.



- D** Attach the slider to the stool through one of its holes using a large wood screw.



- E** Pull the window down against the top of the window slider.



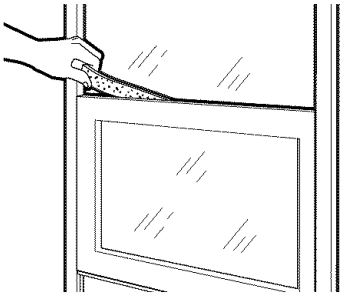
- F** Hook the two window slider brackets over the bottom edge of the window slider and attach to the window stool using two large wood screws.

Installation Instructions

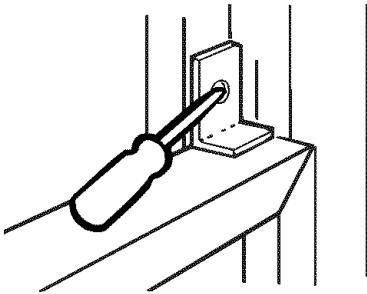
7 INSTALL TOP WINDOW GASKET AND WINDOW LOCKING BRACKET

- A** Cut the foam top window gasket to the window width.

Stuff the foam between the glass and the window to prevent air and insects from getting into the room.

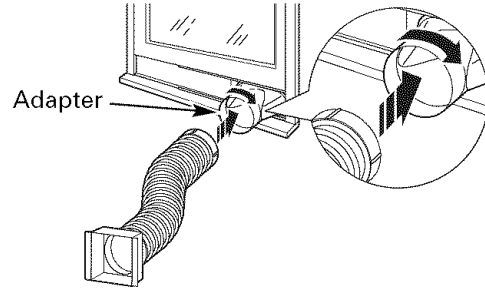


- B** Attach the window locking bracket with one large wood screw.

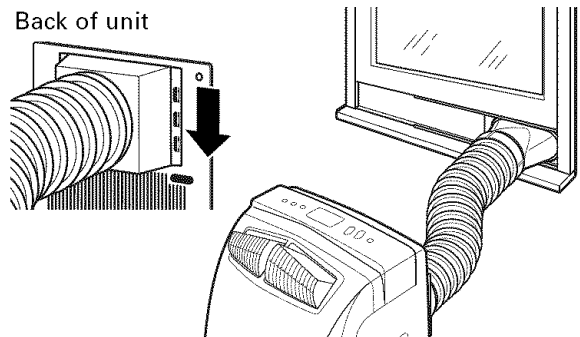


8 ATTACH EXHAUST HOSE

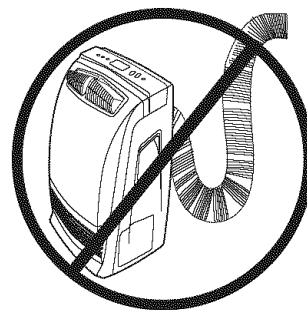
- A** Insert the round end of the exhaust hose into the exhaust adapter in the window slider and turn it to lock it in place.



- B**
- The exhaust hose must be properly installed to the back of the unit and to the exhaust adapter, and exhausted to the outside when using the unit in the **COOL** mode by sliding it down in position.
 - Attach the unit end of the exhaust hose to the back of the air conditioner.



- I** **IMPORTANT:** To ensure proper cooling, do not kink, pinch, shorten or lengthen the exhaust hose. The minimum length of the exhaust hose is 20" (50 cm) and the maximum length of the exhaust hose is 78" (200 cm).



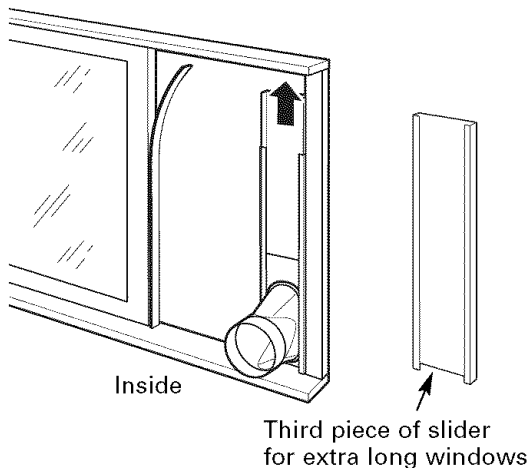
An excessive number of bends in the exhaust hose may compromise the cooling performance.

Installation Instructions

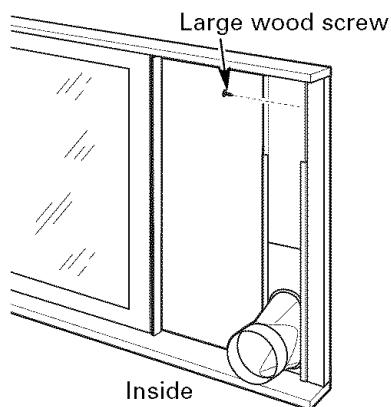
Instructions for installing the window slider in a sliding window. If you have a double-hung window, see instructions on pages 10 and 11.

6 INSTALL WINDOW SLIDER IN WINDOW

- A** If the window slider is shorter than the height of the window, pull the sliding arm out to the height of the window.
If the window slider is longer than the height of the window, cut the slider arm to the height of the window.
If the two-piece window slider is too short for the height of the window, attach and use the third piece of the slider.



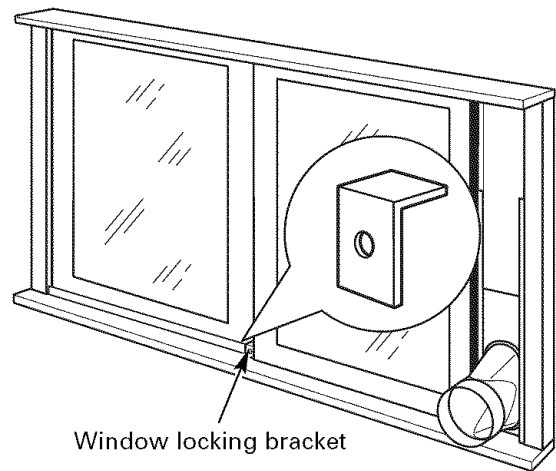
- B** Cut the window seal (adhesive-backed) to the window height and stick the adhesive side to the inner window sliding face, as shown above.
C Attach the top of the slider to the window face using a large wood screw through one of its holes.



- D** Slide the window against the edge of the window slider.
E If applicable, hook the two window slider brackets over the side edge of the window slider and attach to the inner window sliding face using two large wood screws.

7 INSTALL WINDOW LOCKING BRACKET

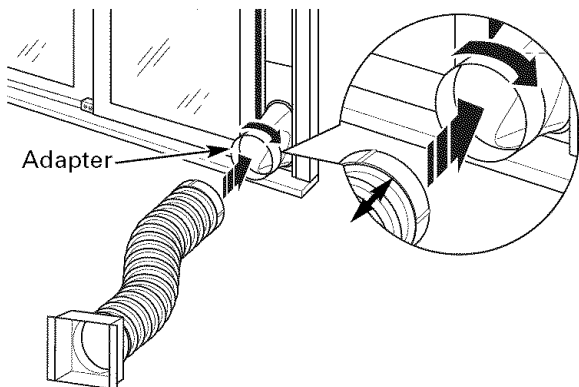
Attach the window locking bracket with one large wood screw.



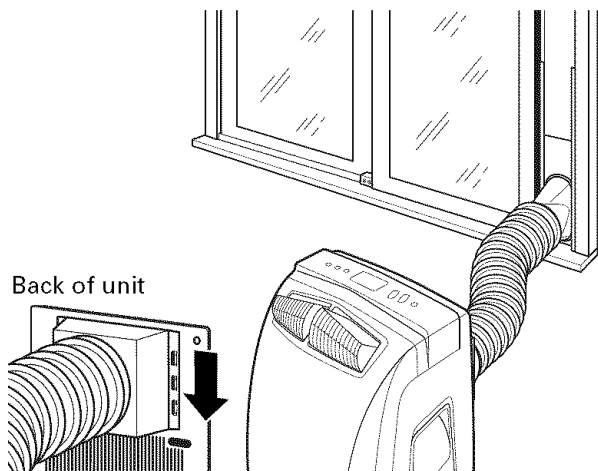
Installation Instructions

8 ATTACH EXHAUST HOSE TO WINDOW SLIDER

- A** Insert the round end of the exhaust hose into the exhaust adapter in the window slider and turn it to lock it in place.

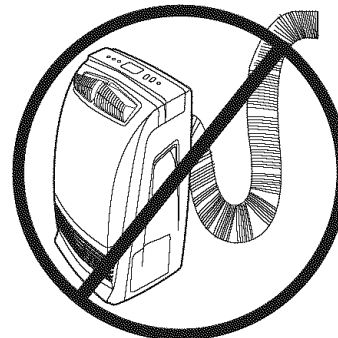


- B**
- The exhaust hose must be properly installed to the back of the unit and to the exhaust adapter, and exhausted to the outside when using the unit in the **COOL** mode by sliding it down in position.
 - Attach the unit end of the exhaust hose to the back of the air conditioner.



8 ATTACH EXHAUST HOSE TO WINDOW SLIDER (CONT.)

- I** **IMPORTANT:** To ensure proper cooling, do not kink, pinch, shorten or lengthen the exhaust hose. The minimum length of the exhaust hose is 20" (50 cm) and the maximum length of the exhaust hose is 78" (200 cm).



An excessive number of bends in the exhaust hose may compromise the cooling performance.

Troubleshooting Tips...



Save time and money!

Problem	Possible Causes	What To Do
E4 appears in the display	Water bucket is full or not installed correctly.	<ul style="list-style-type: none"> Remove, empty and replace the water bucket. See the <i>Using the Water Bucket</i> section and the Installation Instructions in this manual.
	Water bucket was removed while unit was operating.	<ul style="list-style-type: none"> Replace the water bucket. See the <i>Using the Water Bucket</i> section. NOTE: Replace the water bucket immediately after emptying it to catch any condensation which may continue to accumulate.
"HEAT" mode is selected but unit does not heat	If you have a Cool only model, heat settings will not be active on your model.	<ul style="list-style-type: none"> Set the unit to AUTO, COOL, DRY or FAN mode. HEAT mode is not available and will not operate on cool only models.
Air conditioner does not start	The air conditioner is unplugged.	<ul style="list-style-type: none"> Make sure the air conditioner plug is pushed completely into the outlet.
	The fuse is blown/circuit breaker is tripped.	<ul style="list-style-type: none"> Check the house fuse/circuit breaker box and replace the fuse or reset the breaker.
	Power failure.	<ul style="list-style-type: none"> If a power failure occurs, turn the air conditioner OFF. When power is restored, wait 3 minutes to restart the air conditioner to prevent tripping of the compressor overload.
	The current interrupter device is tripped.	<ul style="list-style-type: none"> Press the RESET button located on the power cord plug. If the RESET button will not stay engaged, discontinue use of the air conditioner and contact a qualified service technician.
Air conditioner has stopped running	The remote control is not working.	<ul style="list-style-type: none"> Try operating the control on the unit. See <i>The remote control is not working</i> below.
	Power interruption or power failure occurred.	<ul style="list-style-type: none"> When the power is restored, wait 3 minutes to restart the air conditioner to prevent tripping of the compressor overload. Touch the Power pad and reset the controls to the desired settings.
Air conditioner does not cool as it should	Sleep mode or the Timer Off pad has turned off the air conditioner.	<ul style="list-style-type: none"> Set the air conditioner to the desired setting.
	Airflow is restricted.	<ul style="list-style-type: none"> Make sure there are no curtains, blinds or furniture blocking the inlets located on the left and rear sides of the air conditioner. Make sure there are at least 12" of space on all sides of the unit. Make sure airflow through the vent exhaust is not blocked.
Air conditioner freezing up	The temp control may not be set correctly.	<ul style="list-style-type: none"> In COOL mode, touch the Temp Decrease ▼ pad.
	The air filter is dirty.	<ul style="list-style-type: none"> Clean the filter at least every 30 days. See the <i>Care and cleaning</i> section.
	The room may have been hot.	<ul style="list-style-type: none"> When the air conditioner is first turned on, you need to allow time for the room to cool down.
	Cooling coils have iced up.	<ul style="list-style-type: none"> See "Air conditioner freezing up" below.
The remote control is not working	Ice blocks the airflow and stops the air conditioner from cooling the room.	<ul style="list-style-type: none"> The air conditioner will defrost and return to operation on its own. To defrost the air conditioner more quickly, select the COOL mode and HIGH fan and set the thermostat to a higher temperature.
The remote control is not working	The batteries are inserted incorrectly.	<ul style="list-style-type: none"> Check the position of the batteries. They should be inserted in the opposite (+) and (-) direction.
	The batteries may be dead.	<ul style="list-style-type: none"> Replace the batteries.
	The remote control is too far from the air conditioner.	<ul style="list-style-type: none"> Operate the remote control closer to the air conditioner.
	An object, such as furniture or a towel, is blocking the signal.	<ul style="list-style-type: none"> Remove the object.
Unit does not work after pressing the Power pad	The water bucket is full or the water bucket is not properly installed.	<ul style="list-style-type: none"> Remove water from the water bucket and push the water bucket back in place.
Noise or vibration	The floor is not level.	<ul style="list-style-type: none"> Place unit on a flat, level surface.

GE Air Conditioner Warranty—One Year Limited Warranty.



Staple your receipt here.
Proof of the original purchase date is
needed to make a warranty claim.

For The Period Of: We Will Replace:

One Year
From the date of the
original purchase

Replacement unit or refund of the original retail price for any product which fails due to a defect in materials or workmanship. If the unit is exchanged, the replacement unit is warranted for the remainder of your product's original one-year warranty period. GE will, at its sole discretion, replace the product with a product of the same or comparable functionality and quality or refund the original retail price.

In Order to Make a Warranty Claim:

- Properly pack your unit. We recommend using the original carton and packing materials.
- Return the product to the retail location where it was purchased.
- Include in the package a copy of the sales receipt or other evidence of date of original purchase. Also print your name and address and a description of the defect.

What Is Not Covered:

- Repair of the unit.
- Service trips to your home.
- Customer instruction. This owner's manual provides information regarding operating instructions and user controls.
- Improper installation, delivery or maintenance. If you have an installation problem, or if the air conditioner is of improper cooling capacity for the intended use, contact your dealer or installer. You are responsible for providing adequate electrical connecting facilities.
- Failure of the product resulting from modifications to the product or due to unreasonable use including failure to provide reasonable and necessary maintenance.
- Replacement of house fuses or resetting of circuit breakers.
- Damage to the product caused by improper power supply voltage, accident, fire, floods or acts of God.
- Incidental or consequential damage caused by possible defects with this air conditioner.
- Damage caused after delivery.

This warranty is extended to the original purchaser and any succeeding owner for products purchased for home use within the USA.

Some states do not allow the exclusion or limitation of incidental or consequential damages. This warranty gives you specific legal rights, and you may also have other rights which vary from state to state. To know what your legal rights are, consult your local or state consumer affairs office or your state's Attorney General.

Exclusion of implied warranties: Except where prohibited or restricted by law, there are no warranties, whether express, oral or statutory which extend beyond the description on the face hereof, including specifically the implied warranties of merchantability or fitness for a particular purpose.

Warrantor: General Electric Company, Louisville, KY 40225

Safety Instructions

Operating Instructions

Care and Cleaning

Troubleshooting Tips

Consumer Support

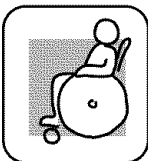
Consumer Support.



GE Appliances Website

ge.com

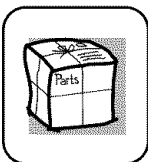
Have a question or need assistance with your appliance? Try the GE Appliances Website 24 hours a day, any day of the year! For greater convenience and faster service, you can now download Owner's Manuals, or even order parts and catalogs on-line. You can also "Ask Our Team of Experts™" your questions, and so much more...



Real Life Design Studio

ge.com

GE supports the Universal Design concept—products, services and environments that can be used by people of all ages, sizes and capabilities. We recognize the need to design for a wide range of physical and mental abilities and impairments. For details of GE's Universal Design applications, including kitchen design ideas for people with disabilities, check out our Website today. For the hearing impaired, please call 800.TDD.GEAC (800.833.4322).



Parts and Accessories

ge.com

Individuals qualified to service their own appliances can have parts or accessories sent directly to their homes (VISA, MasterCard and Discover cards are accepted). Order on-line today, 24 hours every day or by phone at 800.626.2002 during normal business hours.

Instructions contained in this manual cover procedures to be performed by any user. GE does not support any servicing of the air conditioner. We strongly recommend that you do not attempt to service the air conditioner yourself.



Contact Us

ge.com

If you are not satisfied with the service you receive from GE, contact us on our Website with all the details including your phone number, or write to: General Manager, Customer Relations
GE Appliances, Appliance Park
Louisville, KY 40225