

KitchenAid® 36" Pro Line™ Series Island Range Hood

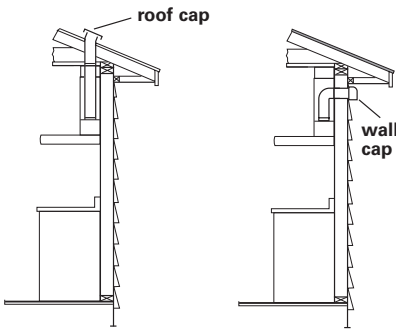
PRODUCT MODEL NUMBERS

KICV167R

Electrical: 120-volt, 60-Hz, AC-only, 15-amp. electrical supply. Use copper wire only. A time-delay fuse or circuit breaker and separate circuit is recommended.

VENTING REQUIREMENTS

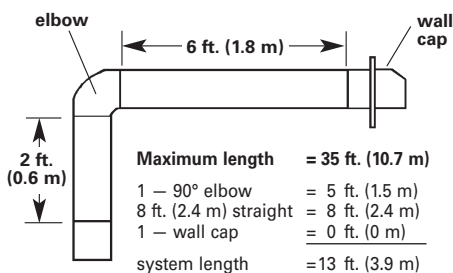
Vertical roof venting Horizontal wall venting



To calculate the length of the system you need, add the equivalent feet for each vent piece used in the system.

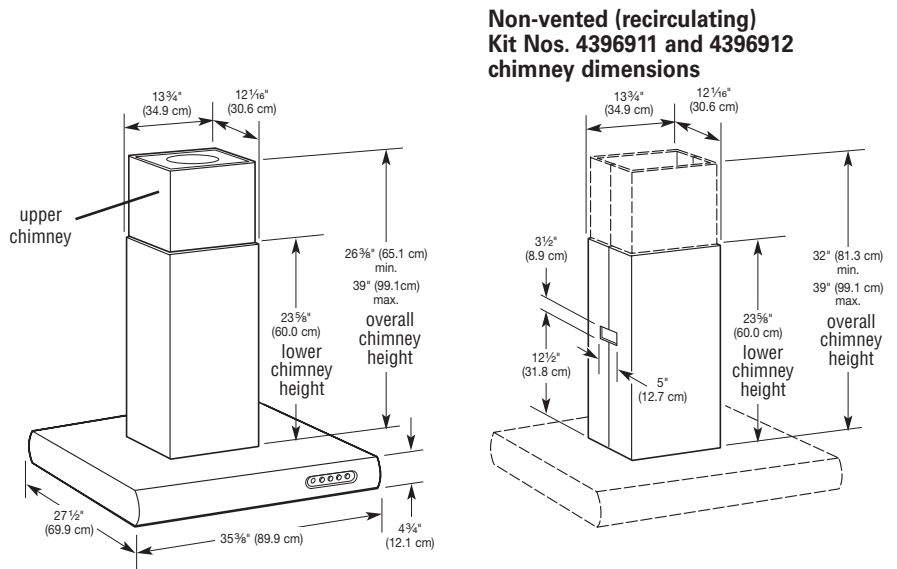
Vent piece	6" (15.2 cm) round
45° elbow	2.5 feet (0.8 m)
90° elbow	5.0 feet (1.5 m)

6" (15.2 cm) vent system



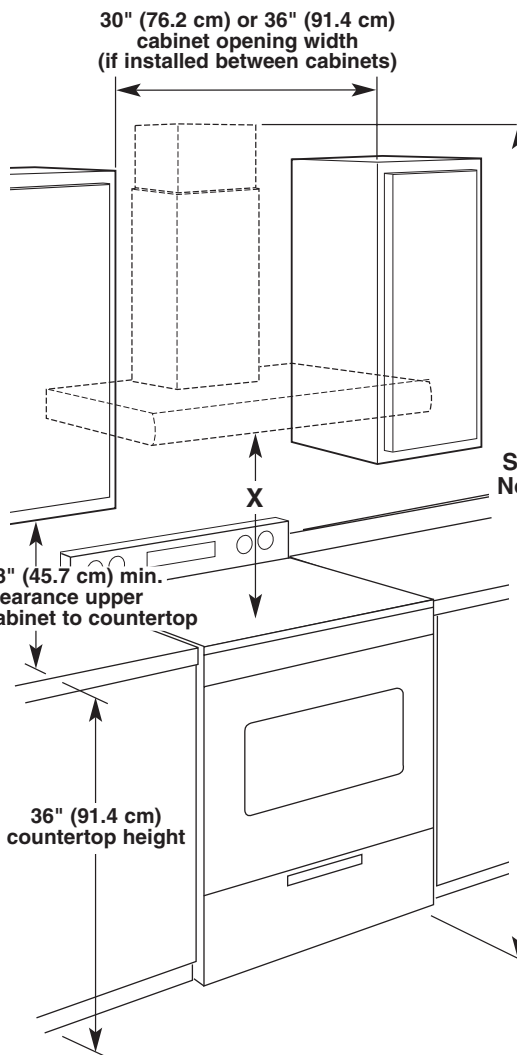
Note: Flexible vent is **Not** recommended.

OVERALL DIMENSIONS



Non-vented (recirculating) Kit Nos. 4396911 and 4396912 chimney dimensions

CABINET OPENING DIMENSIONS



Note: The hood chimneys are adjustable and designed to meet varying ceiling or soffit heights depending on the distance "X" between the bottom of the hood and the cooking surface. For higher ceilings, a 40" (10.2 cm) chimney extension Kit No. 4396913 or Kit No. 4396914 is available. The chimney extension replaces the upper chimney shipped with the hood. The chimney extension can be cut as needed. For shorter ceilings or soffits, the upper chimney can be cut.

Important:
Minimum distance "X": 24" (61.0 cm)
Suggested maximum distance "X": 30" (76.2 cm)

As shown in charts below:
For vented installations, the chimneys can be adjusted for ceilings between 7' 7-1/8" (2.31 m) and 9' 1-3/4" (2.79 m).

For non-vented (recirculating) installations, the chimneys can be adjusted for ceilings between 8' 3-3/8" (2.52 m) and 9' 5-1/4" (2.88 m).

Important: As hood height (distance X) increases, hood's venting effectiveness decreases.