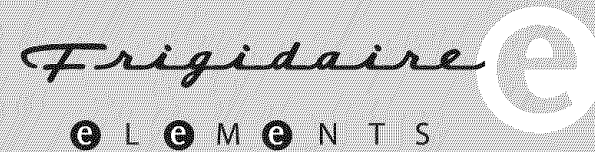


Speed Start Guide

Setting Your Temperature Controls

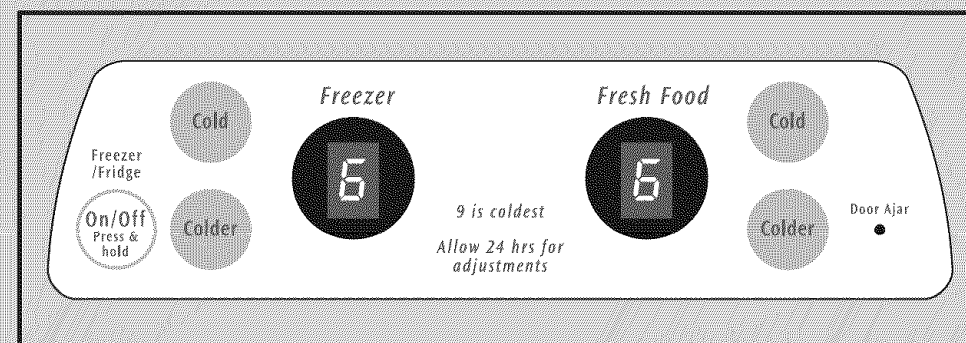
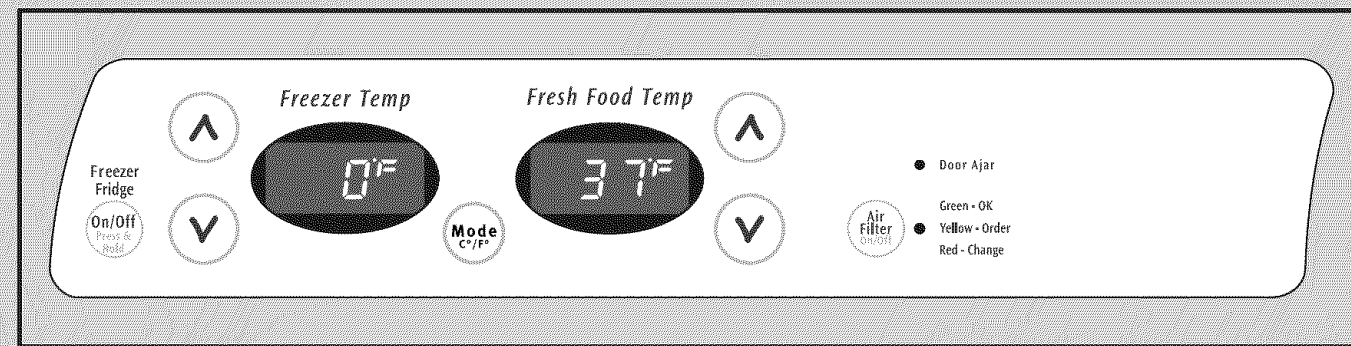


Allowing Cooling Time Before Use

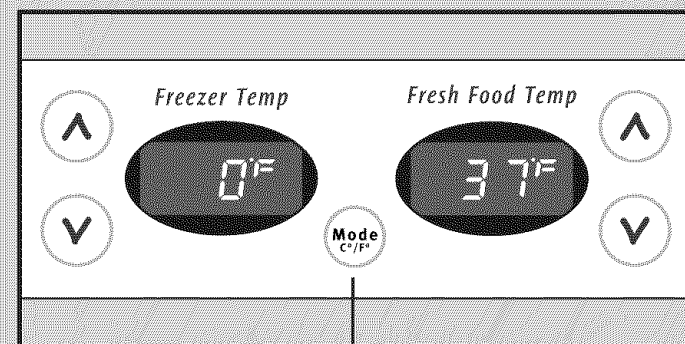
To ensure reliable food storage, allow your refrigerator and freezer to operate with the doors closed for 8 to 12 hours before placing food inside. During this cooling period, you do not need to adjust the controls, which are preset at the factory.

Setting Cooling Temperatures

Your refrigerator comes with a state-of-the-art electronic digital control system. The system's control panel is located at the top of the fresh food compartment. The two digital displays on the left half of the control panel indicate the current settings or temperatures of your freezer and fresh food compartments. The models with a 2-digit temperature display is for reference only, and does not display the current accurate compartment temperature. Should you desire to see what the current accurate temperature is, place a separate thermometer inside the freezer or fresh food compartment in the desired location.



NOTE: The advanced electronic control system in your refrigerator includes additional display modes that service professionals can use to rapidly diagnose performance issues.



Press to alternate between Fahrenheit and centigrade

To adjust the temperature to a higher or lower setting, press the **Up (Cold)** or **Down (Colder)** button closest to the display. The first time you press the button, the display shows the current setting you entered. Each press of the button after that changes the setting by one degree.

The display shows your new setting momentarily, then changes back to the current temperature.

Choosing Fahrenheit or Centigrade

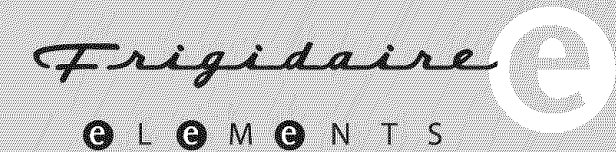
Depending on which temperature standard you prefer to use, you can set your control panel to display in Fahrenheit or centigrade. To change between Fahrenheit and centigrade, press the **Mode** button (located between the two digital temperature displays).

Temperature Adjustment Guide

If Fresh Food compartment is too warm	Adjust Fresh Food control one degree colder by pressing Down (Colder) button.
If Fresh Food compartment is too cold	Adjust Fresh Food control one degree warmer by pressing the Up (Cold) button.
If Freezer compartment is too warm	Adjust Freezer control one degree colder by pressing Down (Colder) button.
If Freezer compartment is too cold	Adjust Freezer control one degree warmer by pressing the Up (Cold) button.

Speed Start Guide

Setting Your Temperature Controls



Making Temperature Adjustments

After running your refrigerator for 24 hours, you can adjust temperatures as needed. Make your adjustments small and gradual, allowing time for temperatures to change and stabilize. Refer to the following guidelines for temperature settings.

What To Do If The Temperature Displays Flash

If either display is continuously flashing, it may indicate that the control system has detected a performance problem. Call your Electrolux service representative, who can interpret the flashing message.

Numeric Display

	Freezer	Fresh Food
Warmest	1	1
Factory Setting	6	6
Coldest	9	9

Temperature Display (2 -Digit)

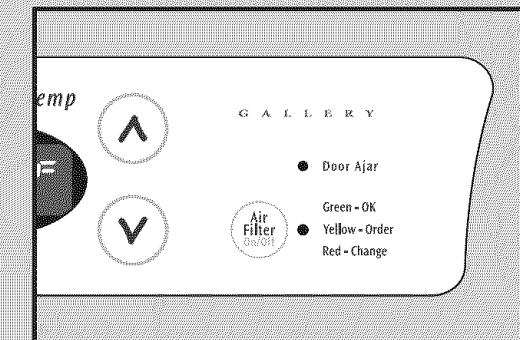
	Freezer		Fresh Food	
	F°	C°	F°	C°
Warmest	6°	-14°	47°	8°
Factory Setting	0°	-18°	37°	3°
Coldest	-6°	-21°	33°	1°

System-Monitoring Alarms

The electronic control system continuously monitors your refrigerator/freezer for temperature consistency and doors left ajar. Variances from normal operating conditions are communicated by audible tones and a set of two status indicator lights.

Responding to Alarms (Audible Tones & Indicator Lights)

Your refrigerator's control system can convey the following information through audible tones and the alarm indicator lights.



Air Filter Status Light (not available on all models)

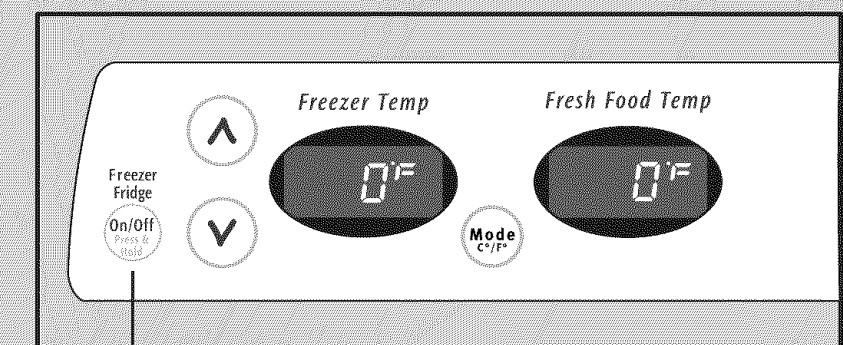
Green	Filter OK.
Yellow	Air filter is about 80 percent used. Please order new one.
Red	Air filter is 100 percent used. Please change now.

Turning The Cooling System On And Off

You can disable the cooling system in your refrigerator by pressing the **On/Off** button located on the left side of the temperature control panel. To ensure that you do not accidentally turn off the cooling system, the button does not work unless you press *and hold* it for three seconds. While the cooling system is "OFF", the digital display will show "OF" "OF" for temperature display models and "0" "F" for numeric display models. Once you disable the cooling system, all refrigeration to the freezer and fresh food compartments stops. To turn the cooling system back on, you must again press *and hold* the **On/Off** button for three more seconds.

Important

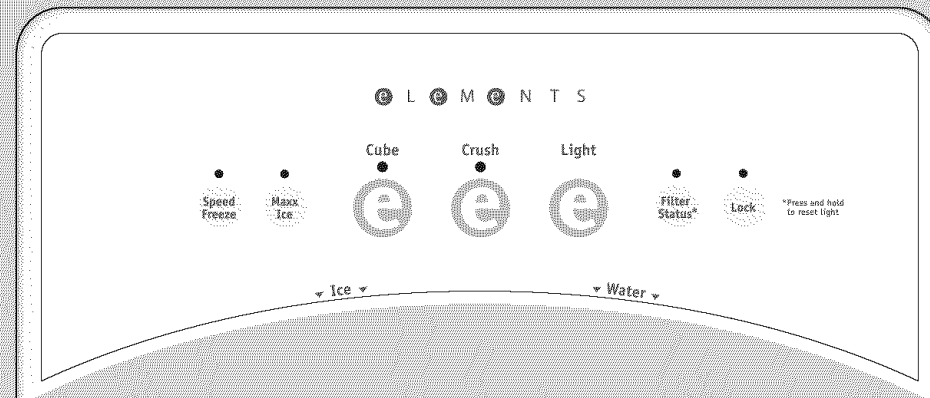
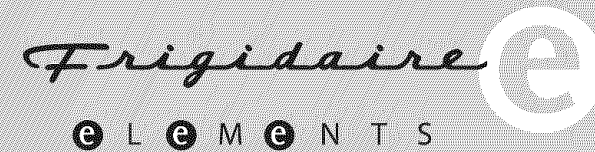
The On/Off button only controls your refrigerator's cooling system. Power to lights and other electrical components continue unless you unplug the power cord.



Cooling System On/Off Button

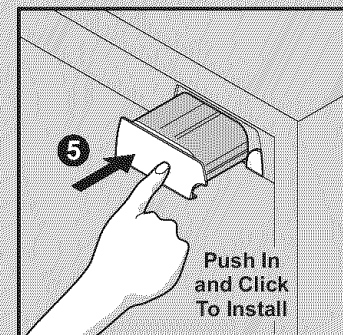
Speed Start Guide

Using Your Ice and Water Dispenser



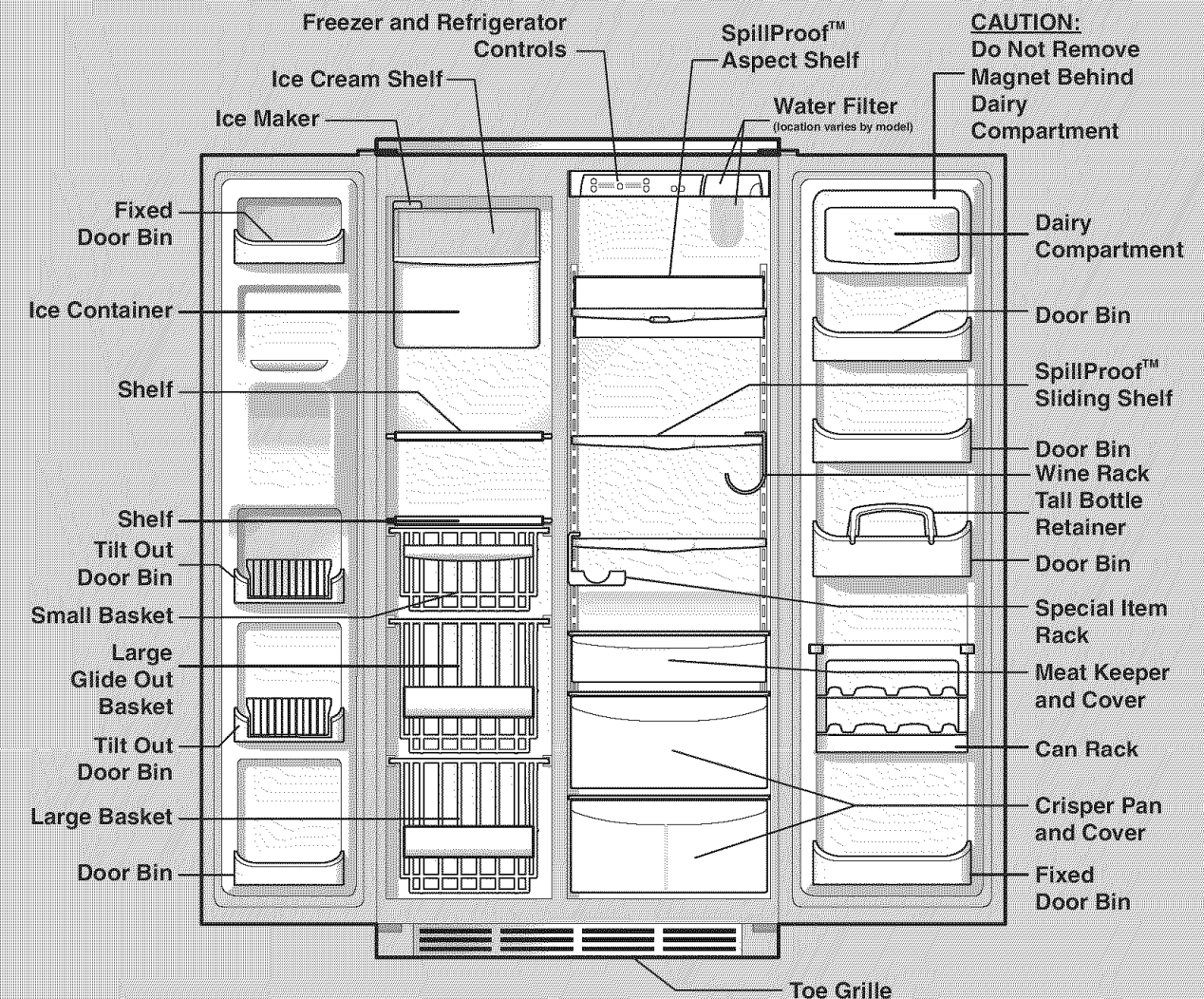
Speed Freeze	This feature is used to freeze food at a faster rate to preserve freshness.	
Maxx Ice	This feature is used to increase ice production for special occasions, such as parties.	
Cube	Press this touch pad for cubed ice.	
Crush	Press this touch pad for crushed ice.	
Light	Press this touch pad to turn the light off and on. The light also turns on automatically when ice and/or water is dispensed.	
Filter Status	This indicator light will light up each time the dispenser is used. The following filter light indications are:	
	Green	The filter is still operating within its specified life cycle.
	Amber	The filter has reached approximately 80% of its useful life. We recommend you purchase a replacement filter.
Lock	Red	The filter is 100% used up. Change the filter as soon as possible.
	This Ice & Water Dispenser may be locked out to prevent unwanted use.	
	To Lock Out	Press Lock touch pad for 3-5 seconds ... a red light will appear above touch pad.
	To Unlock	Press Lock touch pad for 3-5 seconds until red light above touch pad goes out.
Water	To dispense water, press a glass against the Water dispensing paddle.	

Additionally, your new refrigerator is equipped with a **PureSource™** Ice and Water filter that filters water to your ice maker and water dispenser to ensure you are getting the highest possible water quality. It is located in the upper right front corner of the fresh food compartment.



Speed Start Guide

Features at a Glance



Models may vary according to model.

Questions? 1-800-944-9044 (United States)
1-800-668-4606 (Canada)

Visit the Frigidaire Elements Web Site at:
<http://www.frigidaireelements.com>

Read your Use & Care Guide for complete instructions and information.
THANK YOU AND ENJOY YOUR NEW REFRIGERATOR.

Refrigerator