

Electric or Gas Dryer Installation Instructions

Instrucciones de instalación para secadoras eléctricas o a gas

Table of Contents

DRYER SAFETY	2
INSTALLATION REQUIREMENTS.....	4
Tools and Parts	4
Location Requirements.....	5
Electrical Requirements.....	6
Gas Requirements.....	7
Install Leveling Legs.....	7
Electrical Connection.....	8
VENTING.....	12
Venting Requirements.....	12
Plan Vent System.....	13
Install Vent System.....	13
Make Gas Connection.....	14
Connect Vent	15
LEVEL DRYER.....	15
COMPLETE INSTALLATION CHECKLIST	16
REVERSE DOOR SWING (OPTIONAL)	16
TROUBLESHOOTING	18

Índice

SEGURIDAD DE LA SECADORA	19
REQUISITOS DE INSTALACIÓN	21
Herramientas y piezas	21
Requisitos de ubicación	22
Requisitos eléctricos	23
Requisitos de gas.....	24
Instalación de las patas niveladoras	25
Conexión eléctrica	26
VENTILACIÓN	29
Requisitos de ventilación.....	29
Planificación del sistema de ventilación.....	30
Instalación del sistema de ventilación	31
Conexión del suministro de gas.....	31
Conexión del ducto de escape.....	32
NIVELACIÓN DE LA SECADORA.....	33
LISTA DE CONTROL DE LA INSTALACIÓN TERMINADA	33
CAMBIO DEL SENTIDO DE ABERTURA DE LA PUERTA (OPCIONAL).....	34
SOLUCIÓN DE PROBLEMAS.....	CONTRAPORTADA

DRYER SAFETY

Your safety and the safety of others are very important.

We have provided many important safety messages in this manual and on your appliance. Always read and obey all safety messages.



This is the safety alert symbol.

This symbol alerts you to potential hazards that can kill or hurt you and others.

All safety messages will follow the safety alert symbol and either the word “DANGER” or “WARNING.”

These words mean:

 **DANGER**

You can be killed or seriously injured if you don't immediately follow instructions.

 **WARNING**

You can be killed or seriously injured if you don't follow instructions.

All safety messages will tell you what the potential hazard is, tell you how to reduce the chance of injury, and tell you what can happen if the instructions are not followed.



WARNING - “Risk of Fire”

- Clothes dryer installation must be performed by a qualified installer.
- Install the clothes dryer according to the manufacturer's instructions and local codes.
- Do not install a clothes dryer with flexible plastic venting materials or flexible metal (foil type) duct. If flexible metal duct is installed, it must be of a specific type identified by the appliance manufacturer as suitable for use with clothes dryers. Flexible venting materials are known to collapse, be easily crushed, and trap lint. These conditions will obstruct clothes dryer airflow and increase the risk of fire.
- To reduce the risk of severe injury or death, follow all installation instructions.
- Save these instructions.

WARNING: For your safety, the information in this manual must be followed to minimize the risk of fire or explosion, or to prevent property damage, personal injury, or death.

- Do not store or use gasoline or other flammable vapors and liquids in the vicinity of this or any other appliance.
- **WHAT TO DO IF YOU SMELL GAS:**
 - Do not try to light any appliance.
 - Do not touch any electrical switch; do not use any phone in your building.
 - Clear the room, building, or area of all occupants.
 - Immediately call your gas supplier from a neighbor's phone. Follow the gas supplier's instructions.
 - If you cannot reach your gas supplier, call the fire department.
- Installation and service must be performed by a qualified installer, service agency, or the gas supplier.

WARNING: Petrol leaks cannot always be detected by smell.

Petrol suppliers recommend that you use a petrol detector approved by local codes organizations.

For more information, contact your petrol supplier.

If a petrol leak is detected, follow the "What to do if you smell petrol" instructions.

IMPORTANT SAFETY INSTRUCTIONS

WARNING: To reduce the risk of fire, electric shock, or injury to persons when using the dryer, follow basic precautions, including the following:

- Read all instructions before using the dryer.
- Do not place items exposed to cooking oils in your dryer. Items contaminated with cooking oils may contribute to a chemical reaction that could cause a load to catch fire.
- Do not dry articles that have been previously cleaned in, washed in, soaked in, or spotted with gasoline, dry-cleaning solvents, or other flammable or explosive substances as they give off vapors that could ignite or explode.
- Do not allow children to play on or in the dryer. Close supervision of children is necessary when the dryer is used near children.
- Before the dryer is removed from service or discarded, remove the door to the drying compartment.
- Do not reach into the dryer if the drum is moving.
- Do not install or store the dryer where it will be exposed to the weather.
- Do not tamper with controls.
- Do not repair or replace any part of the dryer or attempt any servicing unless specifically recommended in this Use and Care Guide or in published user-repair instructions that you understand and have the skills to carry out.
- Do not use fabric softeners or products to eliminate static unless recommended by the manufacturer of the fabric softener or product.
- Do not use heat to dry articles containing foam rubber or similarly textured rubber-like materials.
- Clean lint screen before or after each load.
- Keep area around the exhaust opening and adjacent surrounding areas free from the accumulation of lint, dust, and dirt.
- The interior of the dryer and exhaust vent should be cleaned periodically by qualified service personnel.
- See "Electrical Requirements" located in the installation instructions for grounding instructions.

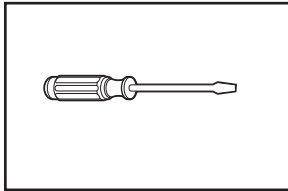
SAVE THESE INSTRUCTIONS

INSTALLATION REQUIREMENTS

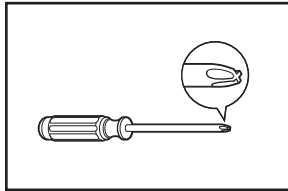
TOOLS AND PARTS

Gather the required tools and parts before starting installation. Read and follow the instructions provided with any tools listed here.

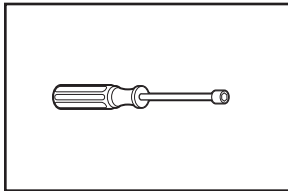
Tools needed:



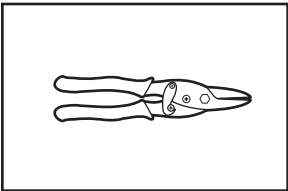
Flat-blade screwdriver



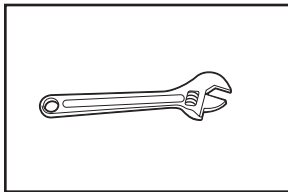
#2 Phillips screwdriver



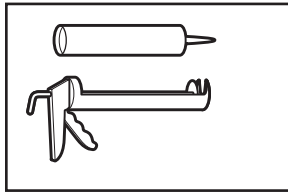
6,2 mm (1/4") socket wrench or 6,2 mm (1/4") nut driver



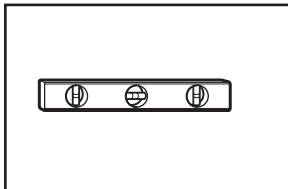
Tin snips (new vent installations)



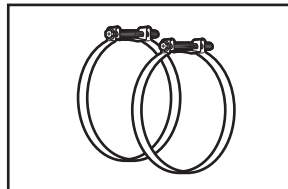
Adjustable wrench that opens to 25 mm (1") or hex-head socket wrench



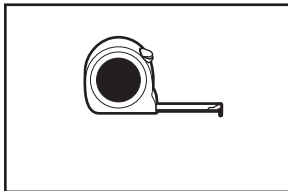
Caulking gun and compound (for installing new exhaust vent)



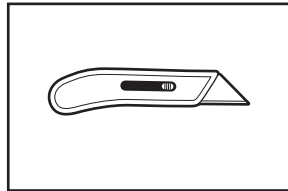
Level



Vent clamps

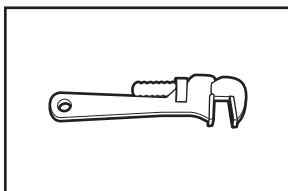


Tape measure

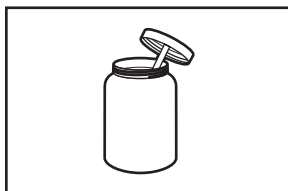


Utility knife

Tools needed for gas installations:

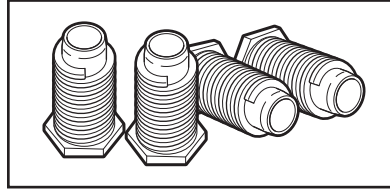


Adjustable pipe wrench that opens to 204 mm (8") or 254 mm (10")



Pipe joint compound resistant to LP gas

Parts supplied (all models):



Leveling legs (4)

Parts package is located in dryer drum. Check that all parts are included.

Parts needed:

Check local codes. Check existing electrical supply and venting, and read "Electrical Requirements" and "Venting Requirements" before purchasing parts.

If using a power supply cord:

Certain models have a pre-installed power supply cord. Please check your model prior to purchasing an additional cord. Do not attempt to direct wire or connect a different power supply cord.

If your model requires a power supply cord, use a UL listed kit marked for use with a clothes dryer. This kit should contain:

- A UL listed 30-amp power supply cord, rated 230 volt minimum. The cord should be type SRD or SRDT and be at least 4 ft. (1.22 m) long. The wires that connect to the dryer must end in ring terminals or spade terminals with upturned ends.
- A UL listed strain relief.

For gas installation:

Check local codes and gas supplier, and read electrical, gas, and venting requirements before purchasing parts.

Gas supply line must have:

- Shutoff valve

Rigid gas supply line must be:

- Minimum 12.5 mm (1/2") ID pipe

Flexible gas supply line must be:

- Minimum 10 mm (3/8") ID approved flexible hose

⚠ WARNING



Explosion Hazard

Keep flammable materials and vapors, such as gasoline, away from dryer.

Place dryer at least 18 inches (460 mm) above the floor for a garage installation.

Failure to do so can result in death, explosion, or fire.

L.P. Gas Conversion:

Gas conversion kit is available for purchase from your dealer. Full instructions are supplied with the kit. Conversion must be made by a competent technician.

Additional parts may be required, depending on your installation. Check local codes. Check existing venting and electrical and gas supply. Read "Electrical Requirements," "Gas Requirements," and "Venting Requirements" before purchasing parts.

LOCATION REQUIREMENTS

You will need:

- A location allowing for proper exhaust installation. See "Venting Requirements."
- A separate 30 amp circuit, for models with the 3D prefix. A separate 20 amps for models with 3S prefix or gas dryers.
- If you are using power supply cord, a grounded electrical outlet located within 2 ft (610 mm) of either side of dryer.
- See "Electrical Requirements."
- A sturdy floor to support the total weight (dryer and load) of 200 lbs. (90.7 kg). The combined weight of a companion appliance should also be considered.
- Level floor with maximum slope of 1" (25 mm) under entire dryer. (If slope is greater than 1" [25 mm], install Extended Dryer Feet Kit, Part Number 279810.) If not level, clothes may not tumble properly and automatic sensor cycles may not operate correctly.

Do not operate your dryer at temperatures below 45°F (7°C). At lower temperatures, the dryer might not shut off at the end of an automatic cycle. Drying times can be extended.

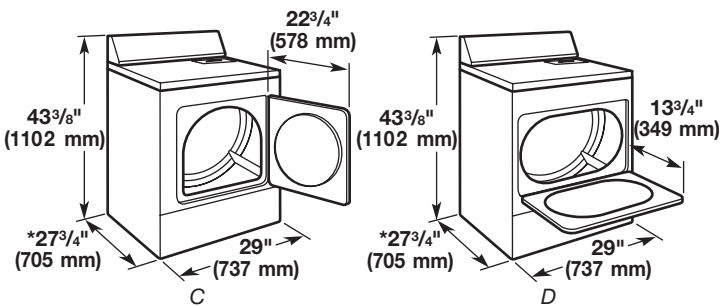
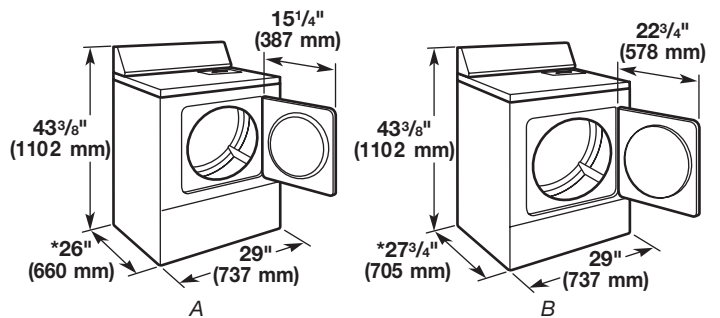
The dryer must not be installed or stored in an area where it will be exposed to water and/or weather.

Check code requirements. Some codes limit, or do not permit, installation of the dryer in garages, closets, or sleeping quarters. Contact your local building inspector.

Installation clearances:

The location must be large enough to allow the dryer door to open fully.

Dryer Dimensions



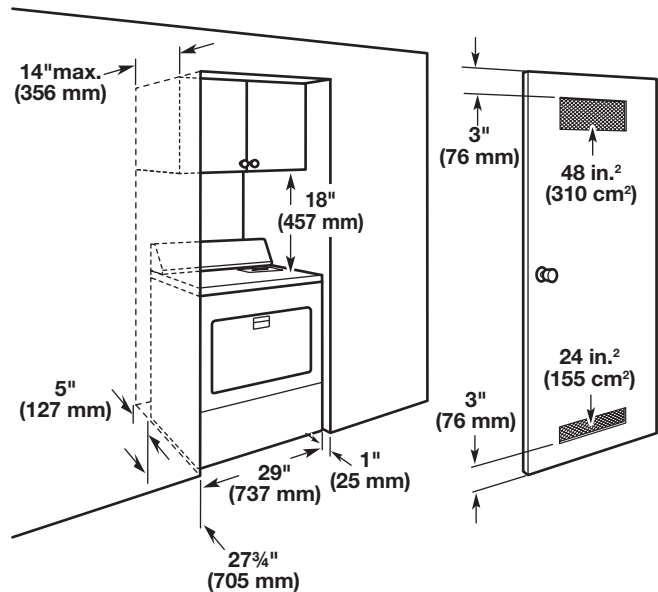
A. Small opening side-swing door
 B. Large opening side-swing door
 C. Wide opening side-swing door
 D. Wide opening hamper door

*Most installations require a minimum 5" (127 mm) clearance behind the dryer for the exhaust vent with elbow. See "Venting Requirements."

Minimum spacing for recessed area or closet installation

The dimensions shown following are for the minimum spacing allowed.

- Additional spacing should be considered for ease of installation and servicing.
- Additional clearances might be required for wall, door, and floor moldings.
- Additional spacing of 1" (25 mm) on all sides of the dryer is recommended to reduce noise transfer.
- For closet installation, with a door, minimum ventilation openings in the top and bottom of the door are required. Louvered doors with equivalent ventilation openings are acceptable.
- Companion appliance spacing should also be considered.



A. Recessed area
 B. Side view - closet or confined area
 C. Closet door with vents

*Additional spacing recommended

ELECTRICAL REQUIREMENTS

IMPORTANT: Observe all governing codes and ordinances.

A two-wire plus separate ground wire, or a 3-wire, single-phase 220-240 volt, 50-Hz, AC only, electrical supply is required on a separate 30-amp circuit (15 or 20 amp circuit for gas dryers), 20 amps circuit for models with 3S prefix fused on both sides of the line. A time-delay fuse or circuit breaker is recommended.

It is the personal responsibility and obligation of the customer to contact a qualified electrician to assure that the electrical installation is adequate and is in conformance with all local codes and ordinances.

Certain models have a pre-installed power supply cord.

IMPORTANT: Do not attempt to direct wire or connect a different power supply cord.

WARNING



Electrical Shock Hazard

Electrical ground is required on this dryer.

Do not ground to a gas pipe.

Do not change the power supply cord plug. If it does not fit the outlet, have a proper outlet installed by a qualified electrician.

Do not have a fuse in the neutral or grounding circuit.

Do not use an extension cord with this dryer.

Check with a qualified electrician to be sure the dryer is properly grounded.

Do not connect plug end of power supply cord into a live receptacle before connecting power supply cord to dryer terminal block.

Do not reuse old power supply cord.

Failure to follow these instructions could result in death, fire, or serious injury.

If codes permit and a separate grounding wire is used, it is recommended that a qualified electrician determine that the grounding path is adequate.

If using a power cord to minimize possible shock hazard, the cord must be plugged into a mating wall receptacle.

If your electrical requirements are different, contact the dealer from whom you purchased your dryer or an authorized service company.

Direct Wire (non pre-installed power cord models only)

It is recommended that installation should be done by a qualified electrician.

This dryer can be connected directly to the fused disconnect or circuit breaker box with two-wire or three-wire flexible, armored or non-metallic sheathed copper cable (with ground wire). Do Not use two-wire with bare ground wire. All current-carrying wires must be insulated.

A conduit connector must be installed at each end of the power supply cable (at the dryer and at the junction box.) **USE ONLY 10-GAUGE SOLID COPPER WIRE. DO NOT USE ALUMINUM WIRE.** Allow 4 ft (1.22 m) of slack in the line so the dryer can be moved if servicing is ever necessary.

Recommended Ground Method

- It is your responsibility to contact a qualified electrical installer to ensure that the electrical installation is adequate and in conformance with all local codes and ordinances.

GROUNDING INSTRUCTIONS

- For a grounded, cord-connected dryer:
This dryer must be grounded. In the event of malfunction or breakdown, grounding will reduce the risk of electric shock by providing a path of least resistance for electric current. This dryer uses a cord having an equipment-grounding conductor and a grounding plug. The plug must be plugged into an appropriate outlet that is properly installed and grounded in accordance with all local codes and ordinances.
- For a permanently connected dryer:
This dryer must be connected to a grounded metal, permanent wiring system, or an equipment-grounding conductor must be run with the circuit conductors and connected to the equipment-grounding terminal or lead on the dryer.

WARNING: Improper connection of the equipment-grounding conductor can result in a risk of electric shock. Check with a qualified electrician or service representative or personnel if you are in doubt as to whether the dryer is properly grounded. Do not modify the plug on the power supply cord: if it will not fit the outlet, have a proper outlet installed by a qualified electrician.

SAVE THESE INSTRUCTIONS

GAS REQUIREMENTS

⚠ WARNING



Explosion Hazard

Use a new CSA International approved gas supply line.

Install a shut-off valve.

Securely tighten all gas connections.

If connected to LP, have a qualified person make sure gas pressure does not exceed 330 mm (13") water column.

Examples of a qualified person include:

licensed heating personnel,

authorized gas company personnel, and

authorized service personnel.

Failure to do so can result in death, explosion, or fire.

OBSERVE ALL GOVERNING CODES AND ORDINANCES.

Gas supply:

Check that dryer is equipped with the correct burner for the particular type of gas supply. Burner information will be found on the model/serial rating plate in the door well of the dryer. If this information does not agree with the type of gas available, see your dealer.

Natural Gas:

This dryer is factory adjusted for use with NATURAL GAS (G20), and no further adjustment should be required at installation.

L.P. Gas:

This dryer is also certified for use with L.P. (propane or butane) gases with appropriate conversion. No attempt shall be made to convert the appliance from the gas specified on the model/serial rating plate for use with a different gas without consulting the serving gas supplier.

Conversion must be done by a qualified service technician.

Gas conversion kits are available for purchase from your dealer. Full instructions are supplied with the kit.

Supply Line Requirements

Provide a rigid gas supply line to the dryer location. It should be minimum 12.5 mm (1/2") ID. When acceptable to the gas supplier and local codes, 10 mm (3/8") ID rigid supply line may be used for lengths under 6.1 m (20'). Pipe-joint compounds resistant to the action of L.P. gas must be used.

Gas connection to the dryer itself should be made by means of a flexible gas hose suitable for the appliance and gas category in accordance with national installation regulations. If in doubt, contact the gas supplier. It should be minimum 10 mm (3/8") ID.

A means of restraint should be used between the appliance and the wall to prevent straining of the rigid gas supply when the appliance is moved. An appropriate length of chain and a wall hook is recommended.

The dryer gas inlet connection is a 10 mm (3/8") NPT thread. An adapter is supplied for conversion to standard ISO.228-1 thread 10 mm (3/8" BSP).

Check for leaks by using an approved noncorrosive leak detection solution. Bubbles will show a leak. Correct any leak found. A pressure measurement tapping is provided on the gas valve within the dryer, accessible after removal of the lower front panel.

The dryer must be disconnected from the gas supply piping system during any pressure testing of that system.

INSTALL LEVELING LEGS

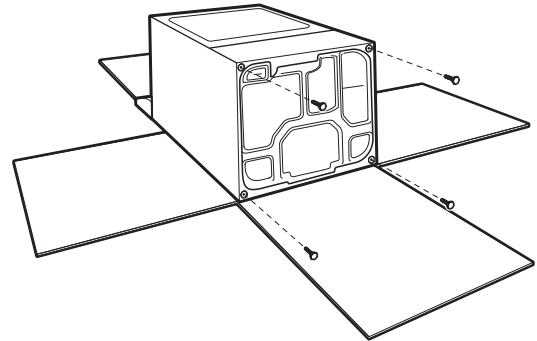
⚠ WARNING

Excessive Weight Hazard

Use two or more people to move and install dryer.

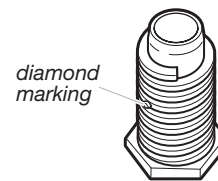
Failure to do so can result in back or other injury.

1. Prepare dryer for leveling legs



To avoid damaging floor, use a large flat piece of cardboard from dryer carton; place under entire back edge of dryer. Firmly grasp dryer body (not console panel) and gently lay dryer down on cardboard.

2. Screw in leveling legs



Examine leveling legs, find diamond marking. Screw legs into leg holes by hand, use a wrench to finish turning legs until diamond marking is no longer visible.

Now stand the dryer on its feet. Slide the dryer until it is close to its final location. Leave enough room for electrical connection and to connect the exhaust vent.

ELECTRICAL CONNECTION

If your model comes with a pre-installed power supply cord, skip to “Venting” section on page 12.

Power Supply Cord

WARNING



Fire Hazard

Use a new UL listed 30 amp power supply cord.
Use a UL listed strain relief.
Disconnect power before making electrical connections.
Neutral wire (blue) must be connected to right terminal.
Ground wire must be connected to center terminal.
Active wire (brown) must be connected to left terminal.
Securely tighten all electrical connections.
Failure to do so can result in death, fire, or electrical shock.

Direct Wire

WARNING



Fire Hazard

Use 10 gauge solid copper wire.
Use a UL listed strain relief.
Disconnect power before making electrical connections.
Neutral wire (blue) must be connected to right terminal.
Ground wire must be connected to center terminal.
Active wire (brown) must be connected to left terminal.
Securely tighten all electrical connections.
Failure to do so can result in death, fire, or electrical shock.

Electrical Connection Options

1. Choose electrical connection type

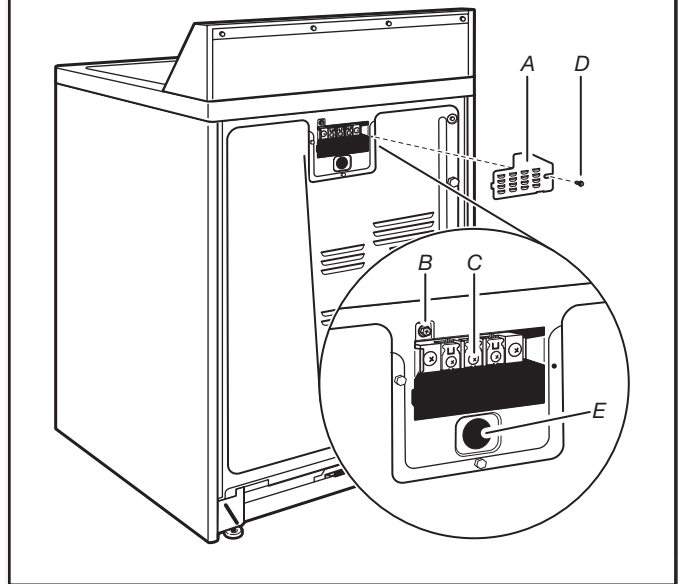
Power supply cord: Go to steps 1-2 on page 9 for power supply cord strain relief; then steps 3-5 for “Power Supply Cord Connection” section. Then go to “Venting Requirements.”



Direct wire connection: Go to steps 1-2 on page 9 for direct wire strain relief; then steps 3-7 for “Direct Wire Connection” section. Then go to “Venting Requirements.”

NOTE: If local codes do not permit connection of a cabinet-ground conductor to neutral wire, go to “Direct Wire” section. This connection may be used with either a power supply cord or a direct wire connection.

2. Remove terminal block cover

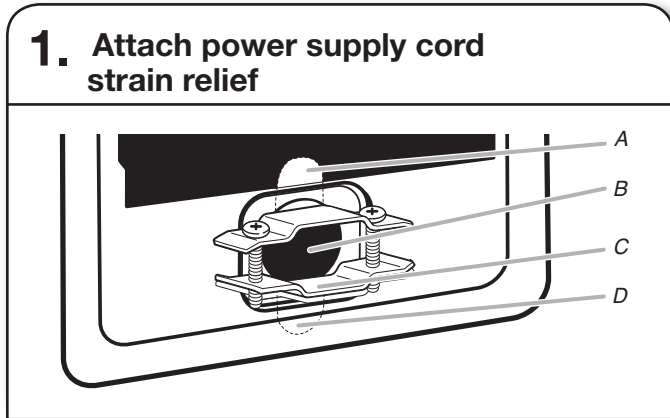


Before you start, disconnect power. Remove hold-down screw (D) and terminal block cover (A).

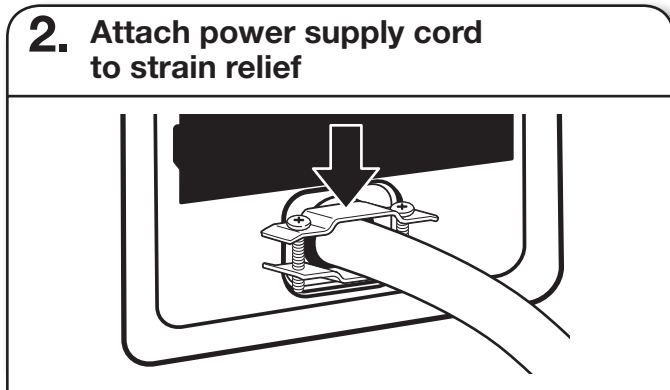
- A. Terminal block cover
- B. External ground conductor screw
- C. Center terminal block screw (ground)
- D. Hold-down screw
- E. Hole below terminal block cover

Install Strain Relief

Power supply cord strain relief



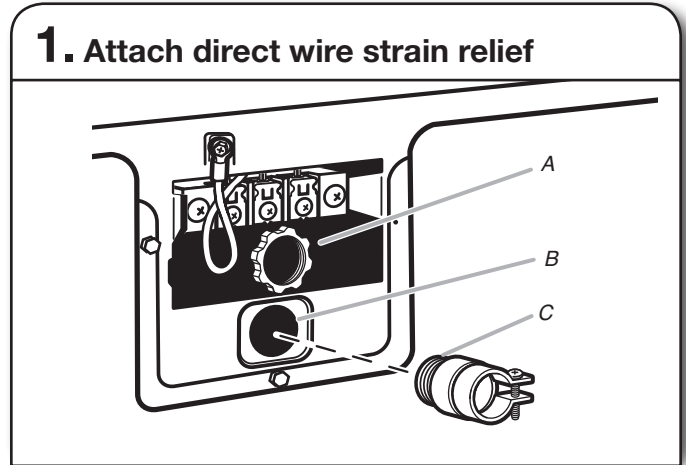
Remove the screws from a 3/4" (19 mm) UL listed strain relief (UL marking on strain relief). Put the tabs of the two clamp sections (C) into the hole (B) below the terminal block opening so that one tab is pointing up (A) and the other is pointing down (D), and hold in place. Tighten strain relief screws just enough to hold the two clamp sections (C) together.



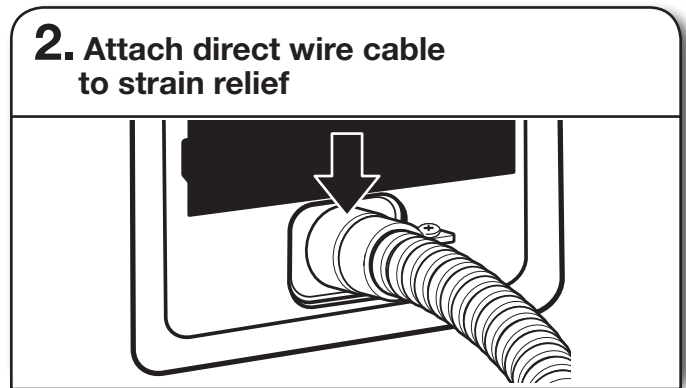
Put power supply cord through the strain relief. Be sure that the wire insulation on the power supply cord is inside the strain relief. The strain relief should have a tight fit with the dryer cabinet and be in a horizontal position. Do not further tighten strain relief screws at this point.

Go to "Power Supply Cord Connection"

Direct wire strain relief



Unscrew the removable conduit connector (A) and any screws from a 3/4" (19 mm) UL listed strain relief (UL marking on strain relief). Put the threaded section of the strain relief through the hole (B) below the terminal block opening. Reaching inside the terminal block opening, screw the removable conduit connector onto the strain relief threads (C).

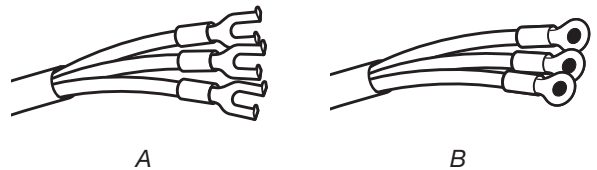


Put direct wire cable through the strain relief. The strain relief should have a tight fit with the dryer cabinet and be in a horizontal position. Tighten strain relief screws.

Go to "Direct Wire Connection"

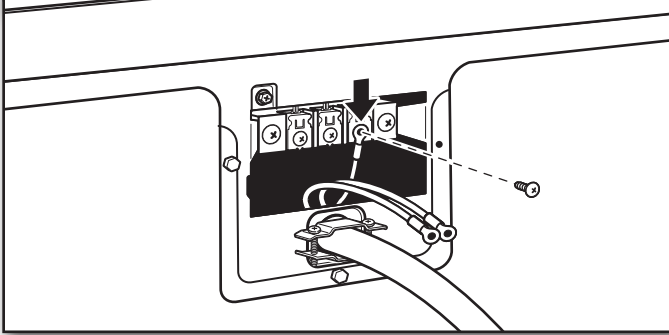
Power Supply Cord Connection

Use where local codes permit connecting cabinet-ground conductor to neutral wire.



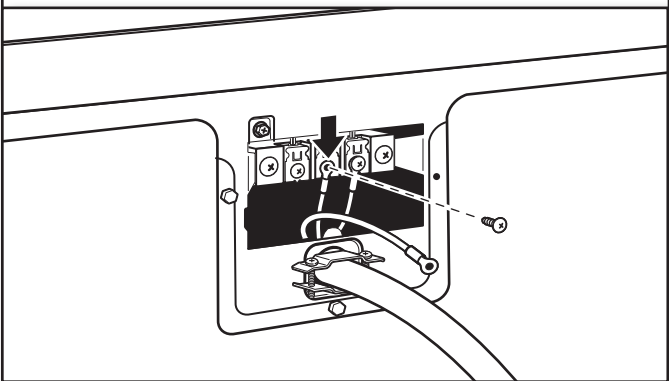
A. Spade terminal with up turned ends
B. 3/4" (19 mm) UL listed strain relief with ring terminals

3. Connect neutral wire



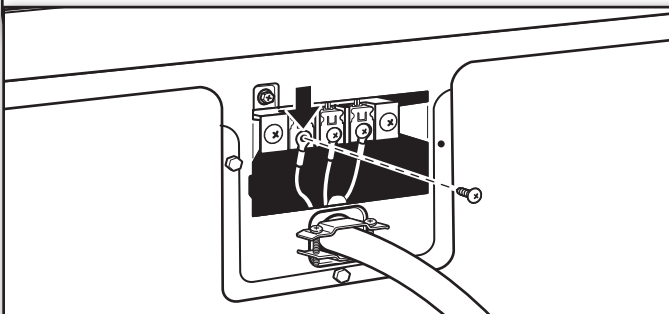
Connect neutral wire (blue) of power supply cord to the right terminal screw of the terminal block. Tighten screw.

4. Connect ground wire



Connect ground wire to the center terminal. Tighten screw.

5. Connect active wire



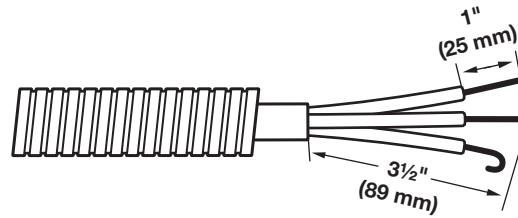
Connect active wire (brown) to the left terminal. Tighten screw and strain relief screws.

Finally, reinsert tab of terminal block cover into slot of dryer rear panel. Secure cover with hold-down screw. Now, go to "Venting Requirements".

Direct Wire Connection

Use where local codes permit connecting cabinet-ground conductor to neutral wire.

3. Prepare your 3-wire cable for direct connection



Direct wire cable must have 5 ft. (1.52 m) of extra length so dryer may be moved if needed.

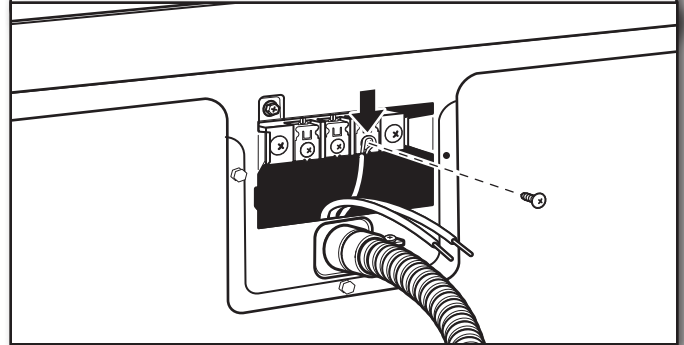
Strip 3 1/2" (89 mm) of outer covering from end of cable. Strip insulation back 1" (25 mm). If using 3-wire cable with ground wire, cut bare wire even with outer covering. Shape wire ends into hooks.

4. Connect wires to terminal block



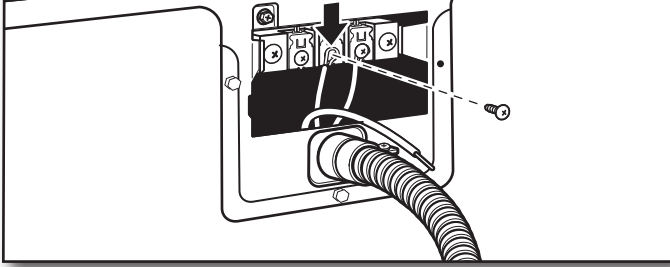
To connect wires to terminal block, place hooked end of wire under terminal block screw, facing to the right, squeeze hooked end together and tighten screw.

5. Connect neutral wire



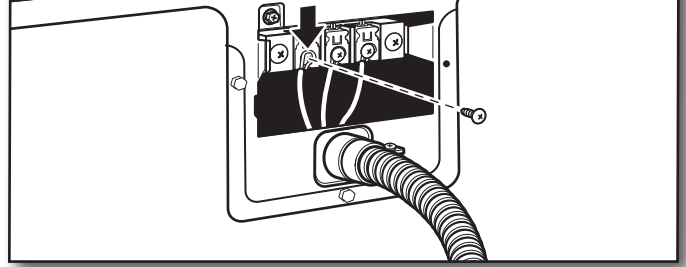
Place hooked end of neutral wire (blue) of power supply cable under the right screw of terminal block (hook facing right). Squeeze hooked end together. Tighten screw.

6. Connect ground wire



Place hooked end of ground wire power supply cable under the center terminal block screw (hook facing right). Squeeze hooked end together and tighten screw.

7. Connect active wire



Place hooked end of the active wire (brown) power supply cable under the left terminal block screw (hook facing right). Squeeze hooked end together. Tighten screw and strain relief screw.

Finally, reinsert tab of terminal block cover into slot of dryer rear panel. Secure cover with hold-down screw. Now, go to "Venting Requirements".

VENTING

VENTING REQUIREMENTS

WARNING

Fire Hazard

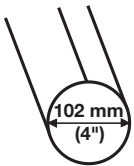
- Use a heavy metal vent.**
- Do not use a plastic vent.**
- Do not use a metal foil vent.**

Failure to follow these instructions can result in death or fire.

WARNING: To reduce the risk of fire, this dryer MUST BE EXHAUSTED OUTDOORS.

IMPORTANT: Observe all governing codes and ordinances.

Dryer exhaust must not be connected into any gas vent, chimney, wall, ceiling, attic, crawlspace, or a concealed space of a building. Only rigid or flexible metal vent shall be used for exhausting.



- Only a 102 mm (4") heavy metal exhaust vent and clamps may be used.
- Do not use plastic or metal foil vent.

Rigid metal vent:

- Recommended for best drying performance and to avoid crushing and kinking.

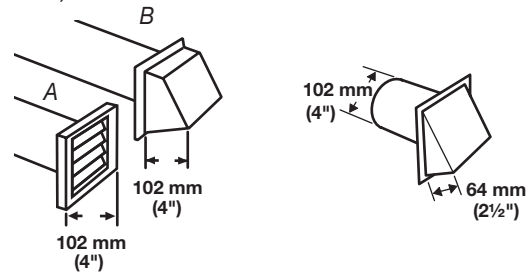
Flexible metal vent: (Acceptable only if accessible to clean)

- Must be fully extended and supported in final dryer location.
- Remove excess to avoid sagging and kinking that may result in reduced airflow and poor performance.
- Do not install in enclosed walls, ceilings, or floors.
- The total length should not exceed 2.4 m (7³/₄ ft.).

NOTE: If using an existing vent system, clean lint from entire length of the system and make sure exhaust hood is not plugged with lint. Replace plastic or metal foil vents with rigid metal or flexible metal vents. Review Vent System Chart and if necessary, modify existing vent system to achieve best drying performance.

Exhaust hoods:

- Must be at least 305 mm (12") from ground or any object that may obstruct exhaust (such as flowers, rocks, bushes, or snow).

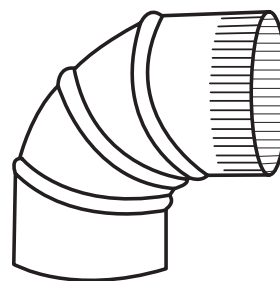


Recommended styles:
A. Louvered hood
B. Box hood

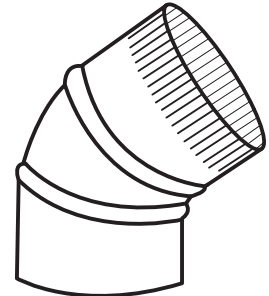
Acceptable styles:
Angled hood

Elbows:

- 45° elbows provide better airflow than 90° elbows.



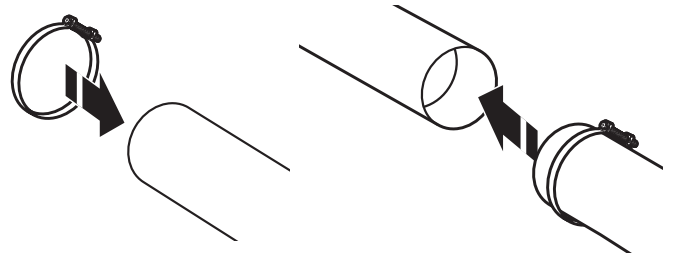
Good



Better

Clamps:

- Use clamps to seal all joints.
- Exhaust vent must not be connected or secured with screws or other fastening devices that extend into interior of duct and catch lint. Do not use duct tape.



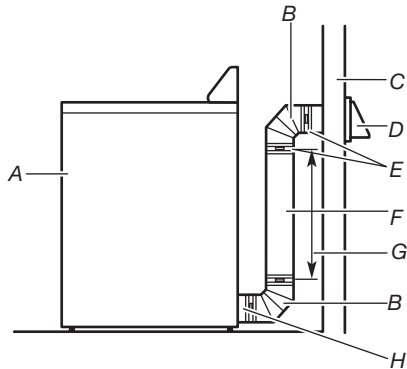
Improper venting can cause moisture and lint to collect indoors, which may result in:

- Moisture damage to woodwork, furniture, paint, wallpaper, carpets, etc.
- Housecleaning problems and health problems.

PLAN VENT SYSTEM

Recommended exhaust installations

Typical installations vent the dryer from the rear of the dryer. Other installations are possible.



- A. Dryer
- B. Elbow
- C. Wall
- D. Exhaust hood
- E. Clamps
- F. Rigid metal or flexible metal vent
- G. Vent length necessary to connect elbows
- H. Exhaust outlet

WARNING



Fire Hazard

Cover unused exhaust holes with a manufacturer's exhaust cover kit.

Contact your local dealer.

Failure to follow these instructions can result in death, fire, electrical shock, or serious injury.

Determine vent path:

- Select route that will provide straightest and most direct path outdoors.
- Plan installation to use fewest number of elbows and turns.
- When using elbows or making turns, allow as much room as possible.
- Bend vent gradually to avoid kinking.

Vent System Length:

Maximum length of vent system depends upon the type of vent used, number of elbows, and type of exhaust hood. The maximum length for both rigid and flexible vent is shown in the chart.

The Vent System Chart provides venting requirements that will help achieve best drying performance.

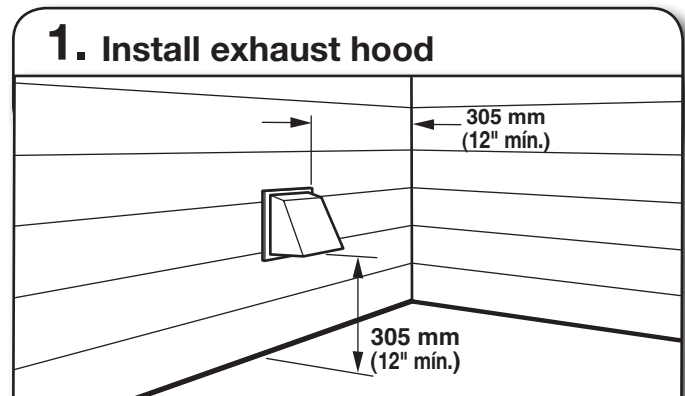
Vent System Chart			
Number of 90° turns or elbows	Type of vent	Box/louvered hoods	Angled hoods
0	Rigid metal	20 m (64 ft.)	17.7 m (58 ft.)
1	Rigid metal	16.5 m (54 ft.)	14.6 m (48 ft.)
2	Rigid metal	13.4 m (44 ft.)	11.6 m (38 ft.)
3	Rigid metal	10.7 m (35 ft.)	8.8 m (29 ft.)
4	Rigid metal	8.2 m (27 ft.)	6.4 m (21 ft.)

For vent systems not covered by the Vent System Chart, please contact the dealer from whom you purchased your dryer.

If dryer is installed in a confined area, such as a bedroom, bathroom, or closet, provision must be made for enough air for combustion and ventilation. (Check governing codes and ordinances.) See "Recessed Area and Closet Installation Instructions" in the "Location Requirements" section.

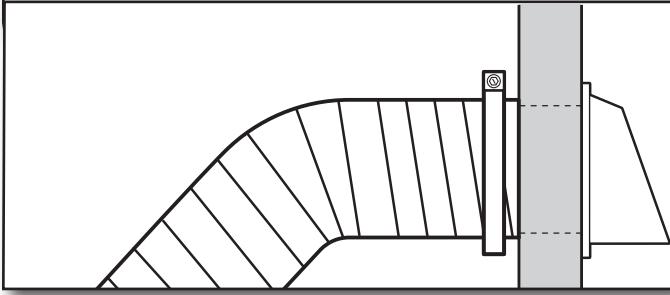
INSTALL VENT SYSTEM

1. Install exhaust hood



Install exhaust hood and use caulking compound to seal exterior wall opening around exhaust hood.

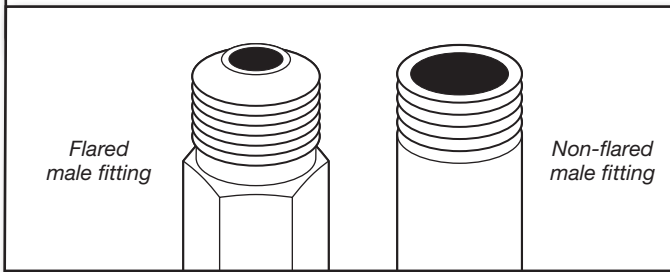
2. Connect vent to exhaust hood



Vent must fit over the exhaust hood. Secure vent to exhaust hood with 102 mm (4") clamp. Run vent to dryer location using straightest path possible. Avoid 90° turns. Use clamps to seal all joints. Do not use duct tape, screws, or other fastening devices that extend into interior of vent to secure vent, because they can catch lint.

MAKE GAS CONNECTION

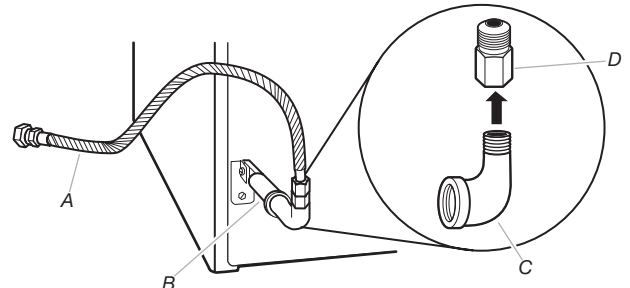
1. Connect gas supply to dryer



Remove red cap from gas pipe. Using a wrench to tighten, connect gas supply to dryer. Use pipe-joint compound on threads of all non-flared male fittings. If flexible metal tubing is used, be sure there are no kinks.

NOTE: For LP gas connections, you must use pipe-joint compound resistant to action of LP gas. Do not use TEFLON[†] tape.

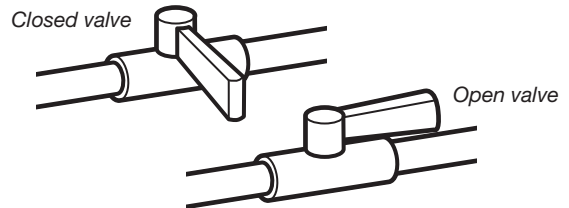
2. Plan pipe fitting connection



A. 3/8" flexible gas connector
B. 3/8" dryer pipe
C. 3/8" to 3/8" pipe elbow
D. 3/8" pipe-to-flare adapter fitting

A combination of pipe fittings must be used to connect dryer to existing gas line. A recommended connection is shown. Your connection may be different, according to supply line type, size, and location.

3. Open shut-off valve

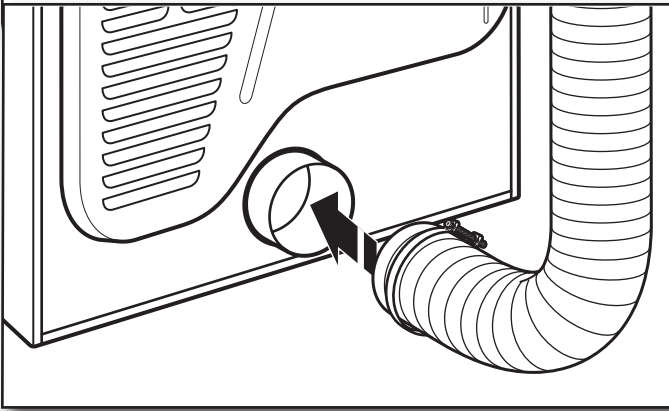


Open shut-off valve in supply line; valve is open when handle is parallel to gas pipe. Then, test all connections by brushing on an approved noncorrosive leak-detection solution. Bubbles will show a leak. Correct any leaks found.

[†]TEFLON is a registered trademark of E.I. DuPont De Nemours and Company.

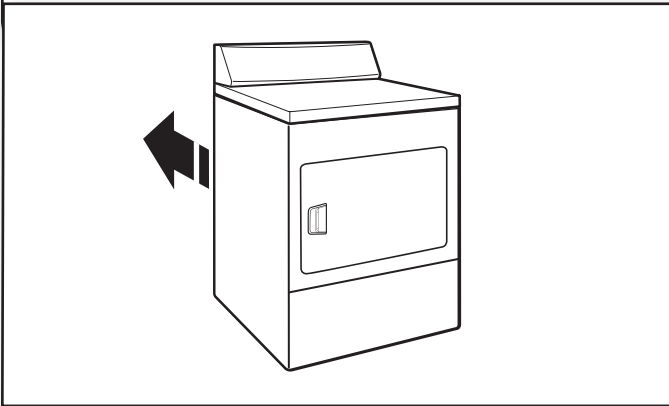
CONNECT VENT

1. Connect vent to exhaust outlet



Using a 102 mm (4") clamp, connect vent to exhaust outlet in dryer. If connecting to existing vent, make sure vent is clean. Dryer vent must fit over dryer exhaust outlet and inside exhaust hood. Check that vent is secured to exhaust hood with a 102 mm (4") clamp.

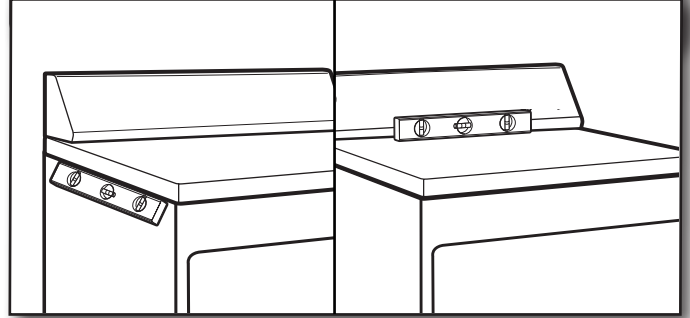
2. Move dryer to final location



Move dryer to final location. Avoid crushing or kinking vent. After dryer is in place, remove corner posts and cardboard from under the dryer.

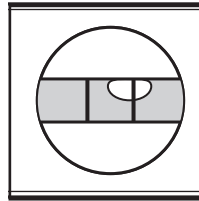
LEVEL DRYER

1. Level Dryer

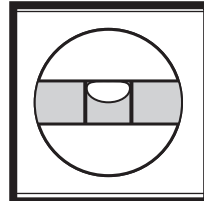


Check levelness of dryer from side to side. Repeat from front to back.

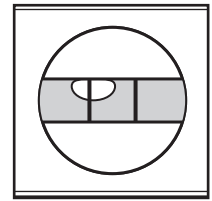
NOTE: The dryer must be level for the moisture sensing system to operate correctly.



Not Level

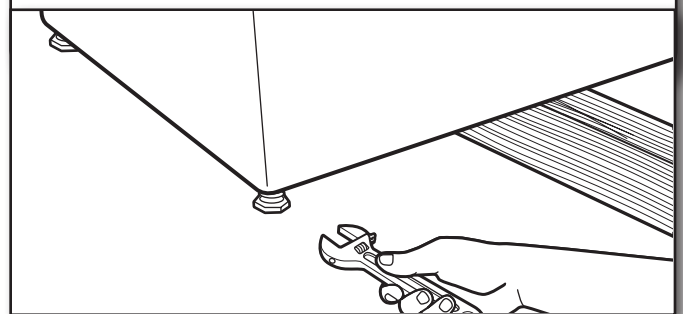


LEVEL



Not Level

2. Tighten and adjust leveling legs



If dryer is not level, prop up using a wood block, use wrench to adjust legs up or down, and check again for levelness. Once legs are level, make sure all four legs are snug against the ground before tightening them.

COMPLETE INSTALLATION CHECKLIST

- Check that all parts are now installed. If there is an extra part, go back through steps to see what was skipped.
- Check that you have all of your tools.
- Dispose of/recycle all packaging materials.
- Check dryer's final location. Be sure vent is not crushed or kinked.
- For power supply cord installation, plug into an outlet. For direct wire installation, turn on power.
- Check that dryer is level. See "Level Dryer".
- Remove film on console and any tape remaining on dryer.
- Wipe dryer drum interior thoroughly with a damp cloth to remove any dust.
- Read "Dryer Use" in your "Use and Care Guide".
- Set the dryer on a full heat cycle (not an air cycle) for 20 minutes and start the dryer. (If you have a gas dryer, it is equipped with an electronic ignition system for the burner which is fully automatic; no action is needed by the user (there is no pilot light).

If the dryer will not start, check the following:

- Controls are set in a running or "On" position.
 - Start button has been pushed firmly.
 - Dryer is plugged into an outlet and/or electrical supply is on.
 - Household fuse is intact and tight, or circuit breaker has not tripped.
 - Dryer door is closed.
- When the dryer has been running for 5 minutes, open the dryer door and feel for heat. If you feel heat, cancel cycle and close the door.

Electric Models:

If you do not feel heat, turn off dryer, and check the following:

- There may be 2 household fuses or circuit breakers for the dryer. Check that both fuses are intact and tight, or that both circuit breakers have not tripped. If there is still no heat, contact a qualified technician.

Gas Models:

If you do not feel heat, turn the dryer off and check to see whether gas supply line shutoff valve is open.

- If the gas supply line shutoff valve is closed, open it, then repeat the 5-minute test as outlined above.
- If the gas supply line shutoff valve is open, contact a qualified technician.

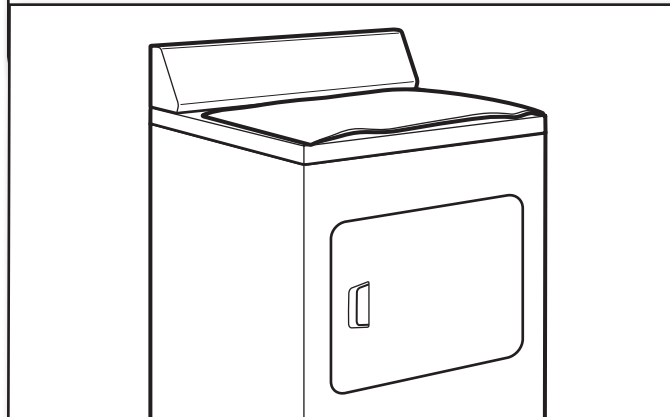
NOTE: You may notice an odor when the dryer is first heated. This odor is common when the heating element is first used. The odor will go away.

Installation is complete. Please see "Reverse Door Swing," if desired.

REVERSE DOOR SWING (OPTIONAL)

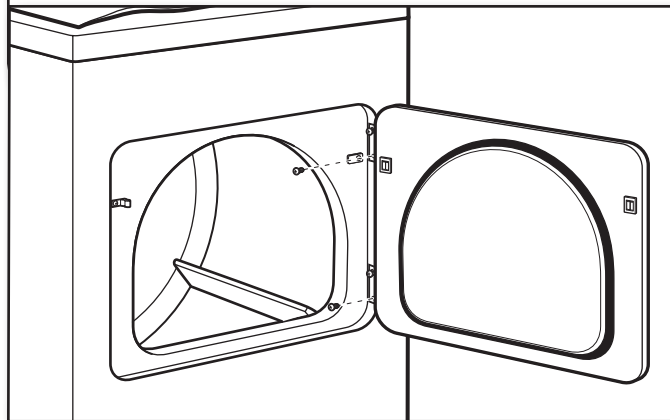
Side swing door model shown.

1. Place towel on dryer



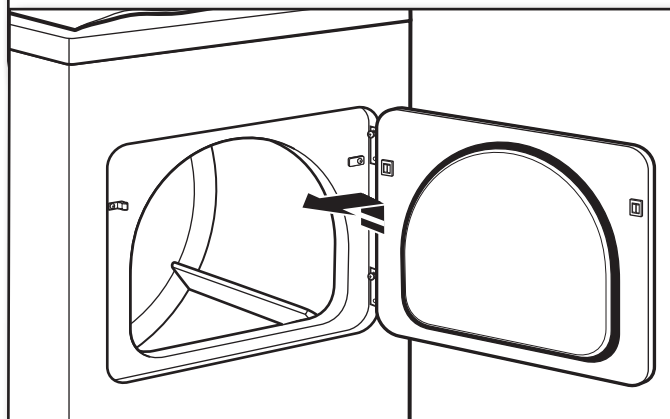
Place towel on top of dryer to avoid damaging the surface.

2. Remove bottom screws



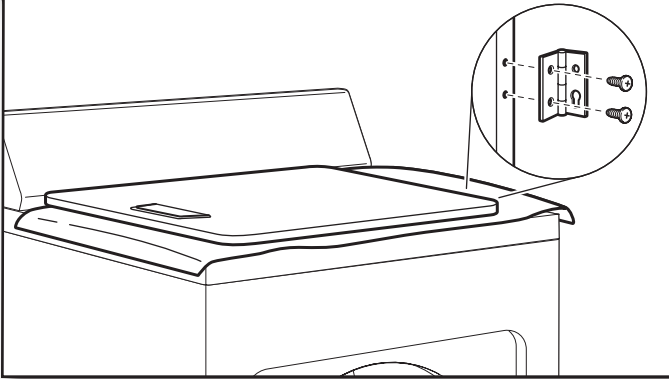
Open dryer door. Remove bottom screws from dryer cabinet side of hinges. Loosen (do not remove) top screws from dryer cabinet side of hinges.

3. Lift door off top screws



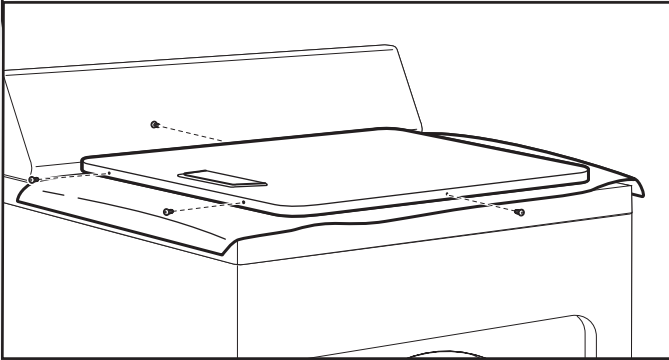
Lift door until top screws in dryer cabinet are in large part of hinge slot. Pull door forward off screws. Set door (handle side up) on top of dryer. Remove top screws from dryer cabinet.

4. Remove screws from hinges



Remove screws attaching hinges to door.

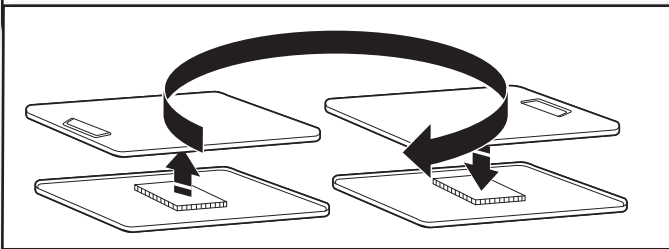
5. Remove screws from door



Remove screws at top, bottom, and side of door (4 screws). Keep door screws separate from hinge screws as they are different sizes. Holding door over towel on dryer, grasp sides of outer door and lift to separate it from inner door.

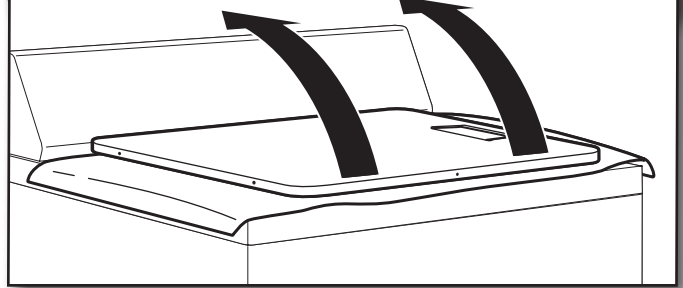
NOTE: Do not pry apart with putty knife or screwdriver. Do not pull on door seal or plastic door catches.

6. Rotate outer door



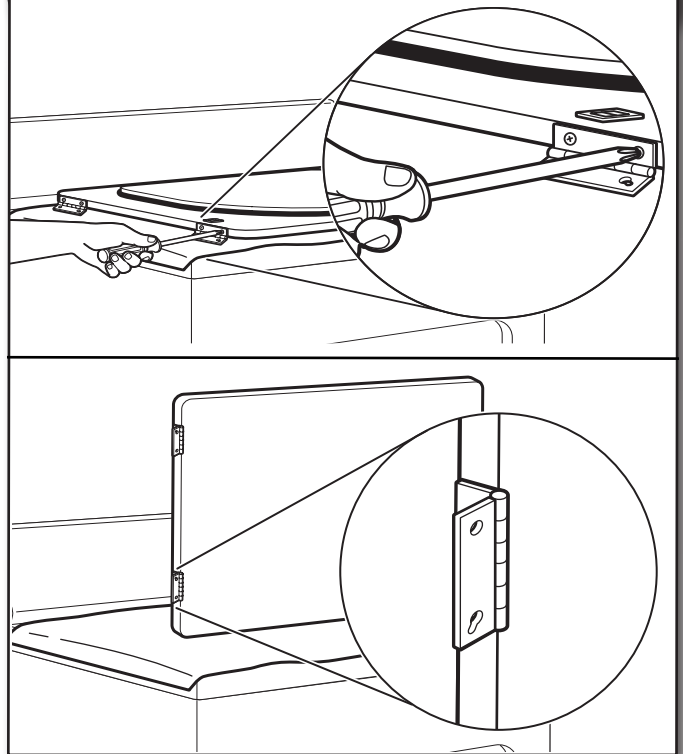
Take outer door and rotate in 180° and set it back down on inner door. Be certain to keep cardboard spacer centered between doors. Reattach outer door panel to inner door panel so handle is on the side where hinges were just removed. Insert 4 door screws.

7. Flip door over



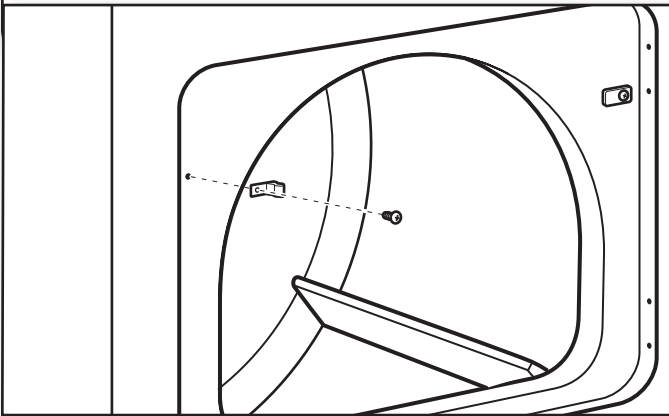
Flip door over so handle side is down.

8. Attach door hinges



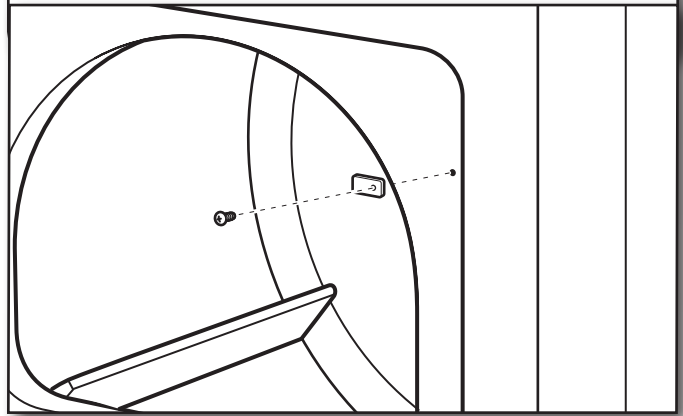
Reattach door hinges to dryer door so that the larger hole is at the bottom of the hinge.

9. Remove door strike



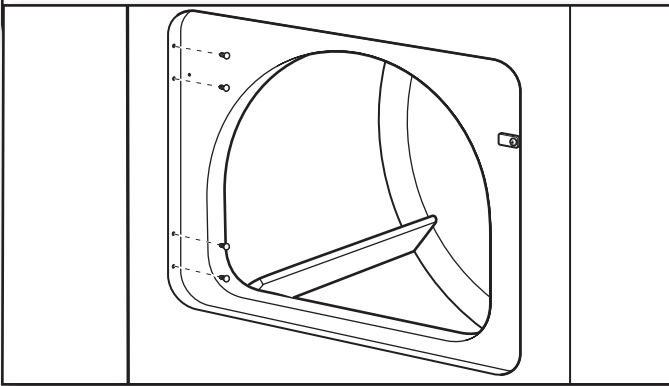
Remove door strike from dryer cabinet and set aside.

12. Remove door strike plug



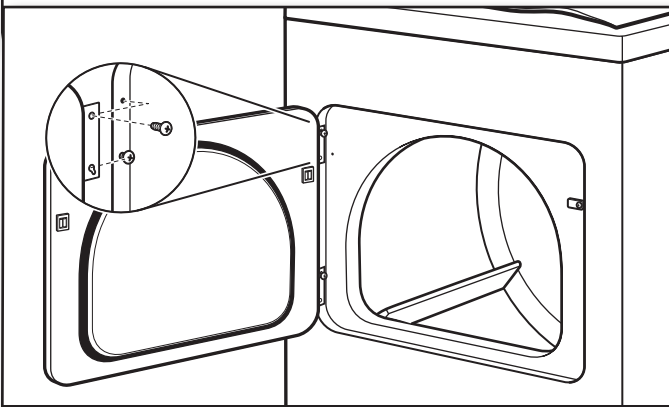
Remove door strike plug. Insert the door strike removed in Step 9 into hole and secure with screw. Insert door strike plug into original door strike hole and secure with screw.

10. Remove and transfer hinge hole plugs



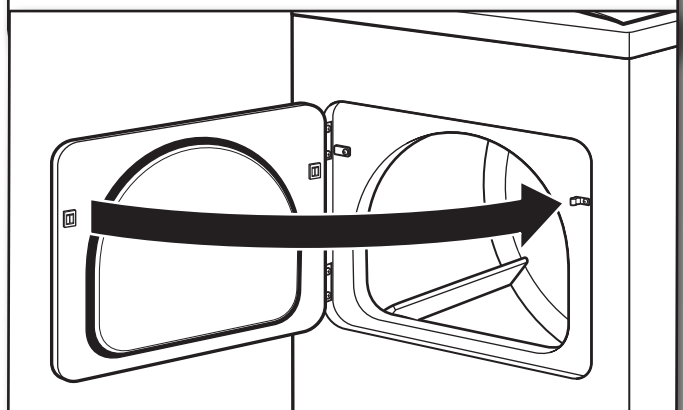
Use a small, flat-blade screwdriver to gently remove 4 hinge hole plugs on left side of dryer cabinet. Transfer plugs into hinge holes on opposite side of dryer cabinet.

11. Insert screws in hinge holes on dryer cabinet



NOTE: Two people maybe needed to reinstall door. Insert screws into the bottom holes on left side of dryer cabinet. Tighten screws halfway. Position door so large end of door hinge slot is over screws. Slide door up so screws are in bottom of slots. Tighten screws. Insert and tighten top screws in hinges.

13. Check door strike alignment



Close door and check that door strike aligns with door catch. If it is needed, slide door catch left or right within slot to adjust alignment.

TROUBLESHOOTING

See "Use and Care Guide" to possibly avoid the cost of a service call.

SEGURIDAD DE LA SECADORA

Su seguridad y la seguridad de los demás es muy importante.

Hemos incluido muchos mensajes importantes de seguridad en este manual y en su electrodoméstico. Lea y obedezca siempre todos los mensajes de seguridad.



Este es el símbolo de advertencia de seguridad.

Este símbolo le llama la atención sobre peligros potenciales que pueden ocasionar la muerte o una lesión a usted y a los demás.

Todos los mensajes de seguridad irán a continuación del símbolo de advertencia de seguridad y de la palabra "PELIGRO" o "ADVERTENCIA". Estas palabras significan:

 **PELIGRO**

Si no sigue las instrucciones de inmediato, usted puede morir o sufrir una lesión grave.

 **ADVERTENCIA**

Si no sigue las instrucciones, usted puede morir o sufrir una lesión grave.

Todos los mensajes de seguridad le dirán el peligro potencial, le dirán cómo reducir las posibilidades de sufrir una lesión y lo que puede suceder si no se siguen las instrucciones.



ADVERTENCIA - "Riesgo de incendio"

- La instalación de la secadora de ropa debe estar a cargo de un instalador competente.
- Instale la secadora de ropa según las instrucciones del fabricante y los códigos locales.
- No instale una secadora de ropa con materiales de ventilación de plástico flexible o un conducto de metal flexible (de hoja de metal). Si se usa un conducto de metal flexible, éste deberá ser de un tipo específico, que esté identificado por el fabricante de electrodomésticos como apto para ser usado con secadoras de ropa. Es sabido que los materiales de ventilación flexible se derrumban, se aplastan con facilidad y atrapan pelusa. Estas condiciones obstruirán el flujo de aire de la secadora de ropa y aumentarán el riesgo de incendio.
- Para reducir el riesgo de lesiones severas o la muerte, siga todas las instrucciones de instalación.
- Guarde estas instrucciones.

ADVERTENCIA: Para su seguridad, la información en este manual debe ser observada para minimizar el riesgo de incendio o explosión, o para prevenir daños a propiedades, heridas o la muerte.

- No almacene o use gasolina u otros líquidos y vapores inflamables cerca de éste u otro aparato electrodoméstico.
- **PASOS QUE USTED DEBE SEGUIR SI HUELE A GAS:**
 - No trate de encender ningún aparato electrodoméstico.
 - No toque ningún interruptor eléctrico; no use ningún teléfono en su edificio.
 - Desaloje a todos los ocupantes del cuarto, edificio o área.
 - Llame inmediatamente a su proveedor de gas desde el teléfono de un vecino. Siga las instrucciones de su proveedor de gas.
 - Si usted no puede comunicarse con su proveedor de gas, llame al departamento de bomberos.
- La instalación y el servicio deben ser efectuados por un instalador calificado, una agencia de servicio o por el proveedor de gas.

ADVERTENCIA: Las pérdidas de gas no siempre se pueden detectar por el olfato.

Para obtener más información, póngase en contacto con su proveedor de gas.

Si se detecta una fuga de gas, siga las instrucciones de “Pasos que usted debe seguir si huele a gas”.

INSTRUCCIONES IMPORTANTES DE SEGURIDAD

ADVERTENCIA: A fin de reducir el riesgo de incendio, descarga eléctrica o de daño a las personas que usen la secadora, deben seguirse las precauciones básicas, incluidas las siguientes:

- Lea todas las instrucciones antes de usar la secadora.
- No coloque los objetos expuestos a aceite para cocinar en su secadora. Los objetos expuestos a aceites para cocinar pueden contribuir a una reacción química que podría causar que una carga se inflame.
- No seque artículos que ya se hayan limpiado, lavado, remojado o manchado con gasolina, disolventes de limpieza en seco, u otras sustancias inflamables o explosivas ya que despiden vapores que pueden encenderse o causar una explosión.
- No permita que jueguen los niños sobre o dentro de la secadora. Es necesaria la cuidadosa vigilancia de los niños toda vez que se use la secadora cerca de ellos.
- Quite la puerta de la secadora al compartimiento de secado antes de ponerla fuera de funcionamiento o de descartarla.
- No introduzca las manos en la secadora cuando el tambor está en movimiento.
- No instale o almacene esta secadora donde estará expuesta a agua o a la intemperie.
- No trate de forzar los controles.
- No repare o reemplace ninguna pieza de la secadora ni trate de repararla a menos que esto se recomiende específicamente en este Manual de uso y cuidado o en instrucciones de reparación publicadas para el usuario que usted comprenda y sólo si cuenta con la experiencia necesaria para llevar a cabo dicha reparación.
- No utilice suavizantes de telas o productos para eliminar el estático de prendas a menos que lo recomiende el fabricante del suavizante de telas o las instrucciones del producto en uso.
- No utilice calor para secar prendas que contengan espuma de caucho o materiales de caucho con textura similar.
- Limpie el filtro de pelusa antes o después de cada carga de ropa.
- Mantenga el área alrededor de la apertura de ventilación y las áreas adyacentes a esta apertura sin pelusa, polvo o tierra.
- La parte interior de la secadora y el ducto de escape se deben limpiar periódicamente. Esta limpieza la debe llevar a cabo un reparador calificado.
- Para obtener información respecto a las instrucciones de conexión a tierra, consulte “Requisitos eléctricos” en las instrucciones de instalación.

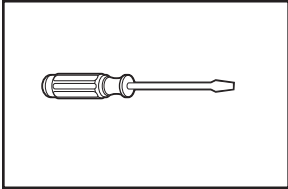
GUARDE ESTAS INSTRUCCIONES

REQUISITOS DE INSTALACIÓN

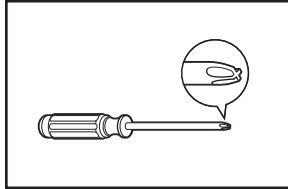
HERRAMIENTAS Y PIEZAS

Reúna las herramientas y piezas necesarias antes de comenzar la instalación. Lea y siga las instrucciones provistas con cualquiera de las herramientas enlistadas aquí.

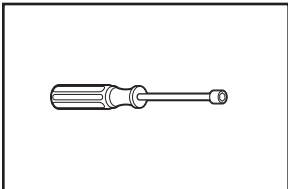
Herramientas necesarias:



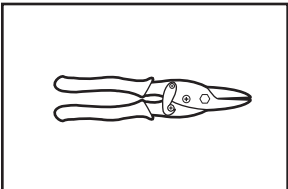
Destornillador de hoja plana



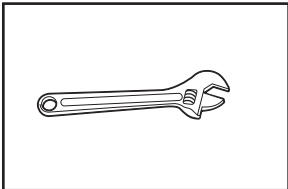
Destornillador Phillips N° 2



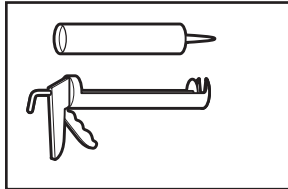
Llave de tubo de 6,35 mm (1/4") o llave de tuercas de 6,35 mm (1/4")



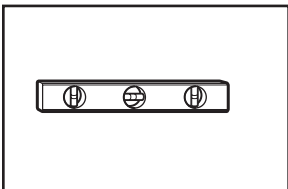
Tijeras de lata (instalaciones del nuevo ducto de escape)



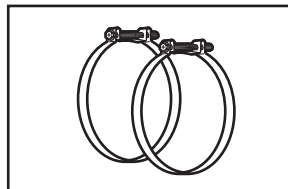
Llave ajustable que se abra a 25 mm (1") o llave de cubo de cabeza hexagonal



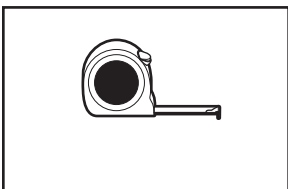
Pistola y masilla para calafateo (para instalar el nuevo ducto de escape)



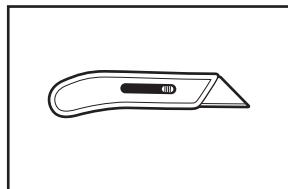
Nivel



Abrazaderas para ducto

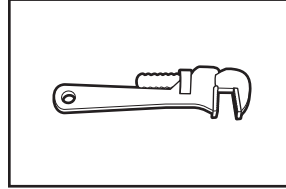


Cinta de medir

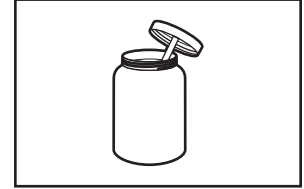


Cuchillo para uso general

Herramientas necesarias para las instalaciones a gas:

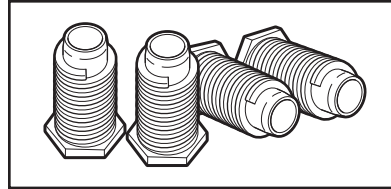


Llave para tubos ajustable que se abra a 204 mm (8") o 254 mm (10")



Pegamento para tuberías resistente a gas L.P.

Piezas suministradas (todos los modelos):



Patas niveladoras (4)

El paquete con piezas está ubicado en el tambor de la secadora. Verifique que estén todas las piezas.

Piezas necesarias:

Verifique los códigos locales. Verifique el suministro eléctrico existente y la ventilación y lea "Requisitos eléctricos" y "Requisitos de ventilación" antes de comprar las piezas.

Si emplea un cable de suministro eléctrico:

Algunos modelos tienen un cable de suministro eléctrico instalado previamente. Revise su modelo antes de comprar un cable adicional. No intente hacer la conexión por cableado directo ni conecte a un cable de suministro eléctrico diferente.

Si su modelo necesita un cable de suministro eléctrico, use un juego que esté en la lista de UL, marcado para usarse con una secadora de ropa. Este juego deberá incluir:

- Un cable de suministro eléctrico de 30 amperios aprobado por UL, con clasificación de 230 voltios como mínimo. El cable deberá ser del tipo SRD o SRDT y deberá tener un largo de por lo menos 4 pies (1,22 m). Los hilos que conectan con la secadora deberán terminar en terminales de anillo o de horquilla con los extremos hacia arriba.
- Un protector de cables aprobado de UL.

Para las instalaciones a gas:

Verifique los códigos locales y con la compañía abastecedora de gas, y lea los requisitos eléctricos, de suministro de gas y de ventilación antes de comprar las piezas.

La línea de suministro de gas debe tener:

- Válvula de cierre

La línea de suministro de gas rígida debe tener:

- Tubería de un mínimo de 12,5 mm (1/2") de diámetro interno

La línea flexible de suministro de gas debe tener:

- Manguera flexible aprobada de un mínimo de 10 mm (3/8") de diámetro interno

⚠ ADVERTENCIA



Peligro de Explosión

Mantenga los materiales y vapores inflamables, como la gasolina, lejos de la secadora.

Coloque la secadora a un mínimo de 460 mm sobre el piso para la instalación en un garaje.

No seguir estas instrucciones puede ocasionar la muerte, explosión o incendio.

Conversión a gas L.P.:

El juego de conversión de gas está disponible con su distribuidor. El juego incluye las instrucciones completas. La conversión deberá llevarla a cabo un técnico calificado.

Podrá necesitar piezas adicionales según su instalación. Verifique los códigos locales. Verifique la ventilación y el suministro eléctrico y de gas existentes. Lea "Requisitos eléctricos", "Requisitos de gas" y "Requisitos de ventilación" antes de comprar las piezas.

REQUISITOS DE UBICACIÓN

Usted necesitará:

- Una ubicación que permita una instalación adecuada del ducto de escape. Consulte "Requisitos de ventilación".
- Un circuito separado de 30 amperios para los modelos con el prefijo 3D. Un circuito separado de 20 amperios para los modelos con el prefijo 3S o para secadoras a gas.
- Si está usando un cable de suministro de energía, un contacto con conexión a tierra ubicado a unos 2 pies (610 mm) de cualquiera de los lados de la secadora. Vea "Requisitos eléctricos".
- Un piso resistente para soportar la secadora con un peso total (secadora y carga) de 200 lbs (90,7 kgs). Asimismo se debe considerar el peso de otro artefacto que la acompañe.
- Un piso nivelado con un declive máximo de 1" (25 mm) debajo de la secadora completa. (Si el declive es mayor que 1" [25 mm], instale el Juego de extensión de patas de la secadora, Pieza No. 279810.) Si la secadora no está nivelada, la ropa quizás no rote adecuadamente y los ciclos del sensor automático posiblemente no funcionen debidamente.

No ponga a funcionar su secadora a temperaturas inferiores a 45°F (7°C). A temperaturas inferiores, es posible que la secadora no se apague al final de un ciclo automático. Los tiempos de secado pueden prolongarse.

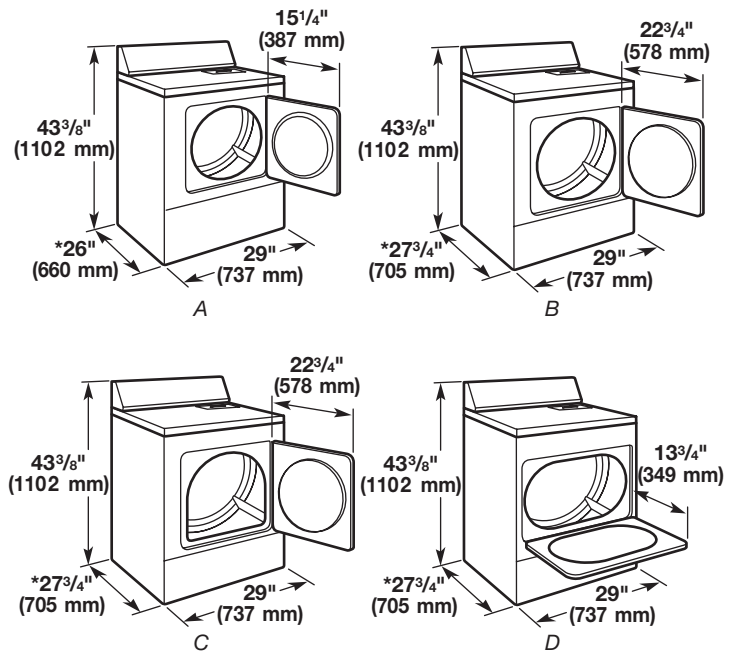
No debe instalarse ni guardarse la secadora en un área en donde pueda estar expuesta al agua y/o a la intemperie.

Verifique los requisitos de los códigos. Algunos códigos limitan, o no permiten, la instalación de la secadora en garajes, clósets, casas rodantes o en dormitorios. Póngase en contacto con el inspector de construcciones de su localidad.

Espacios de instalación:

La ubicación debe ser lo suficientemente grande para poder abrir completamente la puerta de la secadora.

Dimensiones de la secadora



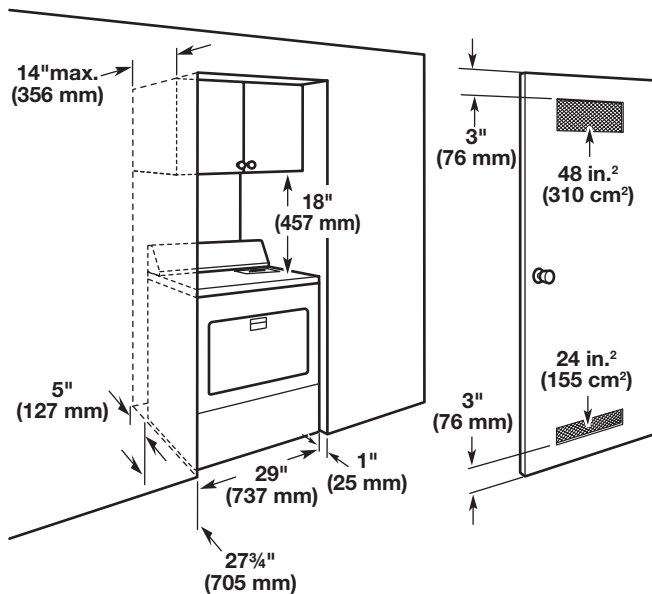
A. Puerta grande de apertura lateral
B. Puerta grande de apertura lateral
C. Puerta ancha de apertura lateral
D. Puerta ancha de apertura vertical

*La mayoría de las instalaciones requieren un espacio mínimo de 5" (127 mm) detrás de la secadora para acomodar el ducto de escape con codo. Vea "Requisitos de ventilación".

Espacio mínimo para la instalación en un lugar empotrado o en un clóset

Las siguientes dimensiones ilustradas son para el espacio mínimo permitido.

- Debe considerarse el espacio adicional para facilitar la instalación y el servicio técnico.
- Se podrían necesitar espacios libres adicionales para las molduras de la pared, de la puerta y del piso.
- Se recomienda un espacio adicional de 1" (25 mm) en todos los lados de la secadora para reducir la transferencia de ruido.
- Para la instalación en clóset, con una puerta, se requieren aberturas de ventilación mínimas en la parte superior e inferior de la puerta. Se aceptan puertas tipo persianas con aberturas de ventilación equivalentes.
- También se debe considerar espacio adicional para otro electrodoméstico que le acompañe.



A. Lugar empotrado
B. Vista lateral - clóset o lugar encerrado
C. Puerta del clóset con orificios de ventilación

*Se recomienda espacio adicional

REQUISITOS ELÉCTRICOS

IMPORTANTE: Observe todos los códigos y reglamentos aplicables.

Se requiere un suministro eléctrico de 2 hilos más un hilo separado conectado a tierra, o uno de 3 hilos, monofásico, de 220 a 240 voltios, 50 Hz, CA solamente, en un circuito separado de 30 amperios (circuito de 15 ó 20 amperios para secadoras a gas), circuito de 20 amperios para los modelos con el prefijo 3S, con fusibles en ambos lados de la línea. Se recomienda un fusible retardador o un cortacircuitos.

Es la responsabilidad y obligación personal del cliente contratar un electricista competente para asegurarse de que la instalación eléctrica sea la adecuada y cumpla con todos los códigos y ordenanzas locales.

Algunos modelos tienen un cable de suministro eléctrico instalado previamente.

IMPORTANTE: No intente hacer la conexión por cableado directo ni conecte a un cable de suministro eléctrico diferente.

⚠ ADVERTENCIA



Peligro de descarga eléctrica

Se requiere una conexión eléctrica a tierra para esta secadora.

No conecte a tierra a una tubería de gas.

No cambie la clavija del cable de suministro de energía. Si no cabe en el enchufe, consulte a un electricista cualificado para instalar un enchufe adecuado.

No tenga un fusible en el circuito neutro o de conexión a tierra.

No use un cable eléctrico de extensión con esta secadora.

Compruebe con un electricista cualificado que la secadora está conectada a tierra como es debido.

No conecte el extremo de la clavija del cable de suministro eléctrico a un enchufe activado, antes de conectar el cable de suministro eléctrico al terminal de la secadora.

No vuelva a usar un cable de suministro eléctrico viejo.

No seguir estas instrucciones puede ocasionar la muerte, incendio o lesiones graves.

Si los códigos lo permiten y se emplea un alambre de conexión a tierra separado, es recomendable que un electricista calificado determine si la trayectoria de conexión a tierra es adecuada.

Si va a usar un cable eléctrico para reducir al mínimo el peligro de posibles choques eléctricos, el cable debe ser enchufado en un contacto de pared apropiado.

Si los requisitos eléctricos de su localidad son diferentes, póngase en contacto con el distribuidor donde ha adquirido la secadora o con una compañía de servicio técnico autorizada.

Conexión por cable directo (solamente para los modelos sin cable eléctrico previamente instalado)

Se recomienda que la instalación la haga un electricista calificado.

Esta secadora puede conectarse directamente al cortacircuitos o caja de disyuntor con cable blindado flexible de dos o tres hilos o cable de cobre forrado no metálico (con alambre puesto a tierra). No use cable de dos hilos con alambre a tierra desnudo. Todos los alambres conductores de corriente deben estar aislados.

Debe proveerse un conector de conducto a cada extremo del cable de suministro de energía (en la secadora y en la caja de empalmes). USE SOLAMENTE ALAMBRE SÓLIDO DE COBRE DE CALIBRE 10. NO USE ALAMBRE DE ALUMINIO. Permita que haya 4 pies (1,22 m) de cable adicional de manera que la secadora pueda moverse en caso de que sea necesario darle servicio.

Método de conexión a tierra recomendado

- Es su responsabilidad ponerse en contacto con un instalador eléctrico calificado para asegurarse de que la instalación eléctrica sea adecuada y de conformidad con todos los códigos y ordenanzas locales.

INSTRUCCIONES PARA LA CONEXIÓN A TIERRA

- Para la conexión de una secadora mediante cable eléctrico conectado a tierra:

Esta secadora debe estar conectada a tierra. En el caso de funcionamiento defectuoso o avería, la conexión a tierra reducirá el riesgo de choque eléctrico al proporcionar una vía de menor resistencia para la corriente eléctrica. Esta secadora usa un cable que cuenta con un conductor para la conexión a tierra del equipo y un enchufe de conexión a tierra. El enchufe debe conectarse en un contacto apropiado, que esté debidamente instalado y conectado a tierra de acuerdo con todos los códigos y ordenanzas locales.

- Para la conexión permanente de una secadora: Esta secadora debe estar conectada a un sistema de cableado de metal permanente, conectado a tierra, o se debe tender un conducto para la conexión a tierra del equipo con los conductores de circuito y conectado al terminal de tierra del equipo o al conductor de suministro de la secadora.

ADVERTENCIA: La conexión indebida del conductor para la conexión a tierra del equipo puede ocasionar un riesgo de choque eléctrico. Verifique con un electricista, representante o personal de servicio técnico calificado para asegurarse de que la conexión a tierra de la secadora sea apropiada. No modifique el enchufe que viene con el cable eléctrico. Si no encaja en el contacto, contrate un electricista calificado para que instale un contacto adecuado.

GUARDE ESTAS INSTRUCCIONES

REQUISITOS DE GAS

⚠ ADVERTENCIA



Peligro de Explosión

Use una línea de suministro de gas nueva con aprobación CSA Internacional.

Instale una válvula de cierre.

Apriete firmemente todas las conexiones de gas.

Si se conecta a un suministro de gas L.P., la presión no debe exceder una columna de agua de 330 mm (13 pulg) y debe ser verificada por una persona calificada.

Ejemplos de una persona calificada incluyen:

personal de servicio del sistema de calefacción con licencia,
personal autorizado de la compañía de gas, y
personal autorizado para dar servicio.

No seguir estas instrucciones puede ocasionar la muerte, explosión o incendio.

OBSERVE TODOS LOS CÓDIGOS Y REGLAMENTOS APLICABLES.

Suministro de gas:

Verifique que la secadora esté equipada con el quemador correcto para el tipo de suministro de gas en particular. La información sobre el quemador está ubicada en la placa con el número de modelo/serie que está en la cavidad de la puerta de la secadora. Si esta información no está de acuerdo con el tipo de gas disponible, vea a su distribuidor.

Gas natural:

Esta secadora ha sido ajustada en fábrica para ser usada con GAS NATURAL (G20) y no debería necesitarse otro ajuste durante su instalación.

Gas L.P.:

Esta secadora también está certificada para ser usada con gas L.P. (propano o butano) con la conversión adecuada. No se deberá hacer intento alguno para convertir el aparato del gas especificado en la placa indicadora del modelo/de la serie para utilizar un gas distinto sin consultar con el abastecedor de gas.

La conversión deberá llevarla a cabo un técnico de servicio calificado.

Los juegos de conversión de gas están disponibles con su distribuidor. El juego incluye las instrucciones completas.

Requisitos de la línea de suministro

Provea una línea de suministro de gas de tubería rígida hacia la ubicación de la secadora. Debería tener un mínimo de 12,5 mm (1/2") de diámetro interno. Cuando sea aceptable para el proveedor de gas y los códigos locales, se podrá usar una línea de suministro rígida de 10 mm (3/8") de diámetro interno para longitudes menores de 6,1 m (20'). Deben usarse compuestos para uniones de tubería que sean resistentes a la acción del gas LP.

La conexión de gas a la secadora debe hacerse con una manguera para gas flexible adecuada para el electrodoméstico y la categoría de gas de acuerdo con las reglamentaciones nacionales de instalación. En caso de dudas, consulte con el proveedor de gas. Debe ser de un mínimo de 10 mm (3/8") de diámetro interno.

Se debe utilizar un medio de sujeción entre el electrodoméstico y la pared, para prevenir que se ejerza tensión en el suministro de gas rígido cuando se mueva el electrodoméstico. Se recomienda una cadena de largo adecuado y un gancho de pared.

La conexión de entrada de gas a la secadora tiene una rosca de NPT 10 mm (3/8"). Se proporciona un adaptador para convertir a una rosca de 10 mm (3/8" BSP) según la norma ISO.228-1. Verifique si hay fugas utilizando una solución para detección de fugas que no sea corrosiva. Se observarán burbujas si hay fugas. Tape cualquier fuga que encuentre. Se ha provisto una conexión para medir la presión en la válvula de gas, la cual está ubicada dentro de la secadora, accesible después de haber retirado el panel frontal inferior.

Durante cualquier prueba de presión del sistema, la secadora debe ser desconectada del sistema de tubería del suministro de gas.

INSTALACIÓN DE LAS PATAS NIVELADORAS

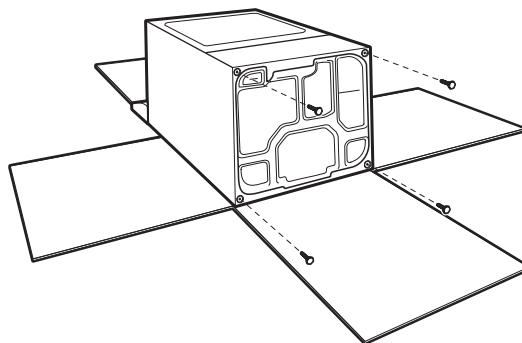
⚠ ADVERTENCIA

Peligro de Peso Excesivo

Use dos o más personas para mover e instalar la secadora.

No seguir esta instrucción puede ocasionar una lesión en la espalda u otro tipo de lesiones.

1. Prepare la secadora para las patas niveladoras



Para evitar daños en el piso, use un pedazo de cartón grande y plano de la caja de la secadora; colóquelo debajo de todo el borde posterior de la secadora. Sujete con firmeza el cuerpo de la secadora (no el panel de la consola) y coloque la secadora suavemente sobre el cartón.

2. Atornille las patas niveladoras



Examine las patas niveladoras; localice la marca en forma de diamante. Atornille con la mano las patas en los orificios de las mismas y use una llave de tuercas para terminar de atornillar las patas hasta que la marca en forma de diamante no quede visible.

Ahora coloque la secadora en posición vertical. Deslice la secadora cerca de su ubicación final. Deje suficiente espacio para la conexión eléctrica y para conectar el ducto de escape.

CONEXIÓN ELÉCTRICA

Si su modelo viene con un cable de suministro eléctrico previamente instalado, vaya a la sección “Ventilación” en la página 29.

Cable de suministro eléctrico

⚠ ADVERTENCIA



Peligro de Incendio

Use un cable de suministro eléctrico nuevo de 30 amperes que esté en la lista de UL.

Use un protector de cables que esté en la lista de UL.

Desconecte el suministro eléctrico antes de hacer las conexiones eléctricas.

Conecte el alambre neutro (el blanco o el del centro) al terminal central (plateada).

El alambre de tierra (el verde o el no aislado) se debe conectar con el conector verde de tierra.

Conecte los 2 alambres de suministro restantes con las 2 terminales restantes (las doradas).

Apriete firmemente todas las conexiones eléctricas.

No seguir estas instrucciones puede ocasionar la muerte, incendio o descarga eléctrica.

Cable directo

⚠ ADVERTENCIA



Peligro de Incendio

Utilice alambres de cobre sólido de ancho 10.

Use un protector de cables que esté en la lista de UL.

Desconecte el suministro eléctrico antes de hacer las conexiones eléctricas.

Conecte el alambre neutro (el blanco o el del centro) al terminal central.

El alambre de tierra (el verde o el no aislado) se debe conectar con el conector verde de tierra.

Conecte los 2 alambres de suministro restantes con las 2 terminales restantes (las doradas).

Apriete firmemente todas las conexiones eléctricas.

No seguir estas instrucciones puede causar la muerte, incendio o descarga eléctrica.

Opciones para la conexión eléctrica

1. Seleccione el tipo de conexión eléctrica

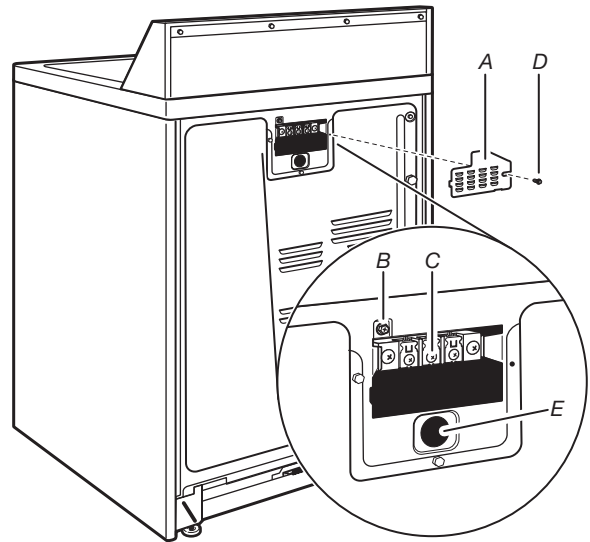
Cable de suministro de energía: Vaya a los pasos 1 y 2 en la página 27 para ver cómo usar el protector de cables con el cable de suministro de energía; luego siga los pasos 3 a 5 para la sección “Conexión por cable de suministro de energía”. Luego vaya a “Requisitos de ventilación”.



Conexión por cable directo: Vaya a los pasos 1 y 2 en la página 27 para ver cómo usar el protector de cables con el cable directo; luego siga los pasos 3 a 7 para la sección de “Conexión por cable directo”. Después vaya a “Requisitos de ventilación”.

NOTA: Si los códigos locales no permiten la conexión de un conductor para conexión a tierra de la carcasa al alambre neutro, prosiga a la sección “Cable directo”. Esta conexión se puede utilizar con una conexión por cable de suministro de energía o por cable directo.

2. Quite la tapa del bloque de terminal

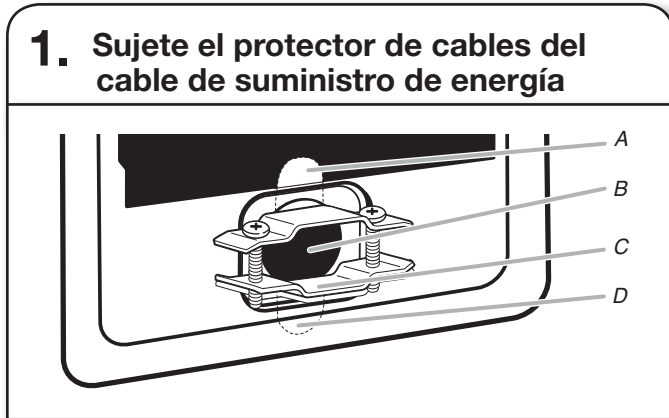


Desconecte el suministro de energía antes de comenzar. Quite el tornillo de sujeción (D) y la cubierta de la caja de terminal (A).

- A. Cubierta del bloque de terminal
- B. Tornillo conductor a tierra externo
- C. Tornillo del bloque de terminal de color plateado, del centro (tierra)
- D. Ubicación del tornillo de sujeción
- E. Orificio debajo de la abertura del bloque de terminal

Instale el protector de cables

Protector de cables del cable de suministro de energía



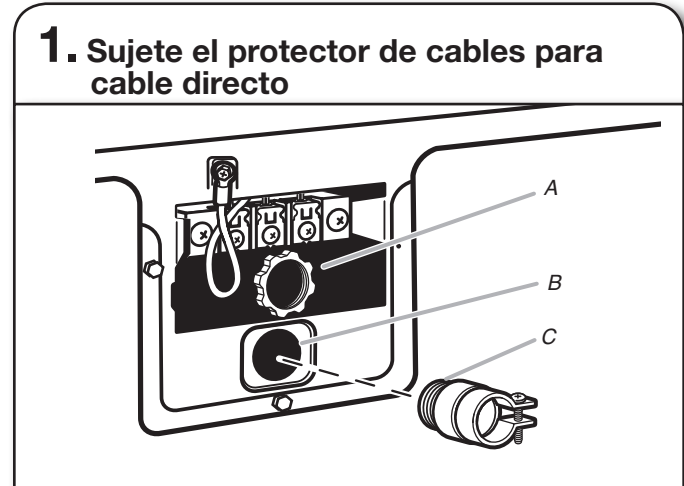
Quite los tornillos de un protector de cables de 3/4" (19 mm) que esté en la lista de UL (con la marca UL en el protector de cables). Coloque las lengüetas de las dos secciones de la abrazadera (C) en el orificio (B) que está debajo de la abertura del bloque de terminal de manera que una lengüeta esté apuntando hacia arriba (A) y la otra esté apuntando hacia abajo (D), y sujételas en su lugar. Apriete los tornillos del protector de cables lo suficiente para mantener las dos secciones de la abrazadera (C) juntas.



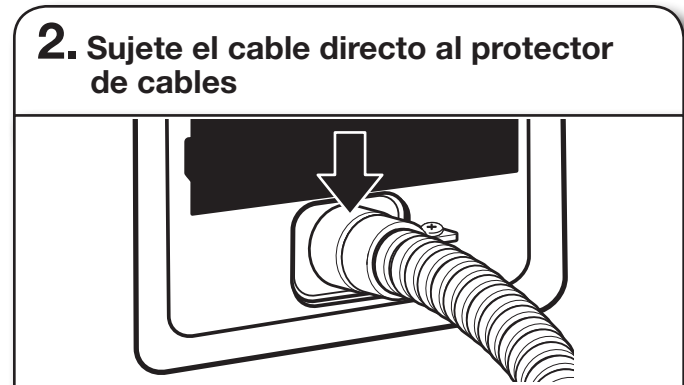
Haga pasar el cable de suministro de energía a través del protector de cables. Asegúrese de que el aislamiento de cables del cable de suministro de energía esté dentro del protector de cables. El protector de cables deberá encajar bien con la carcasa de la secadora y estar en posición horizontal. No ajuste más los tornillos del protector de cables en este momento.

Vaya a "Conexión por cable de suministro eléctrico".

Protector de cables para cable directo



Desatornille el conector de conducto removible (A) y cualquier tornillo del protector de cables de 3/4" (19 mm) que está en la lista de UL (con la marca UL en el protector de cables). Haga pasar la sección trenzada del protector de cables a través del orificio (B) que está debajo de la abertura del bloque de terminal. Busque dentro de la abertura del bloque de terminal y atornille el conector de conducto removible sobre las roscas del protector de cables (C).

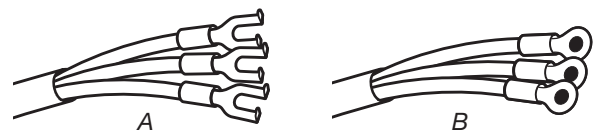


Haga pasar el cable directo a través del protector de cables. El protector de cables deberá encajar bien con la carcasa de la secadora y estar en posición horizontal. Apriete los tornillos del protector de cables.

Vaya a "Conexión por cable directo".

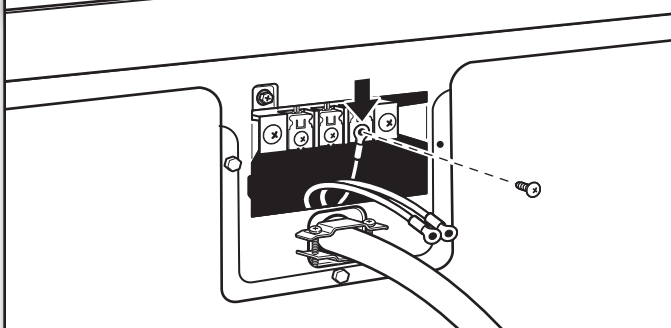
Conexión con cable de suministro de energía

Úselo donde los códigos locales permitan la conexión del conductor de tierra de la carcasa al hilo neutro.



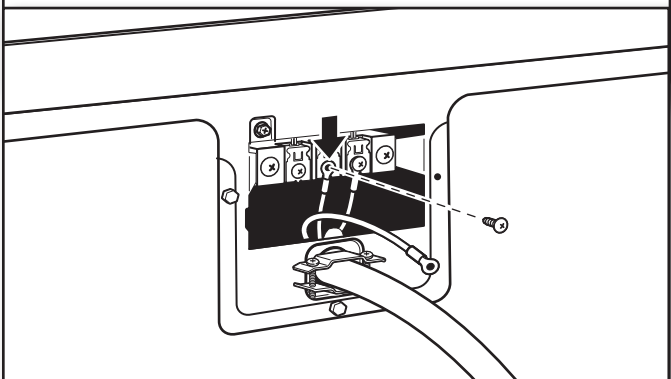
A. Terminales de horquilla con los extremos hacia arriba
B. Protector de cables de 3/4" (19 mm), que esté en la lista de UL, con terminales de anillo

3. Conecte el hilo neutro



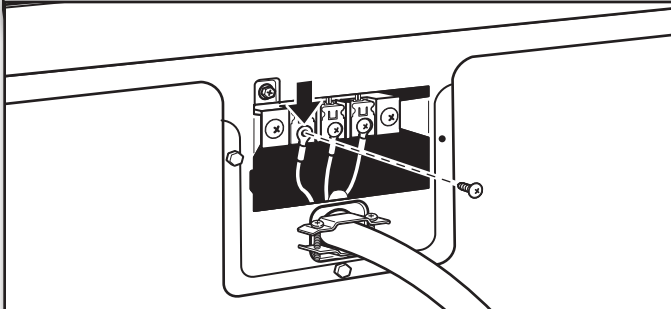
Conecte el alambre neutro (azul) del cable de suministro eléctrico al tornillo del bloque de terminal. Apriete el tornillo.

4. Conecte el hilo a tierra



Conecte el alambre de puesta a tierra a la terminal central. Apriete el tornillo.

5. Conecte el alambre activo



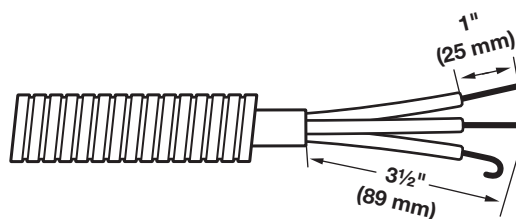
Conecte el alambre activo (café) a la terminal izquierda. Apriete el tornillo y los tornillos del protector de cables.

Por último vuelva a insertar la lengüeta de la tapa del bloque de terminal dentro de la ranura del panel posterior de la secadora. Asegure la tapa con un tornillo de sujeción. Ahora vaya a "Requisitos de ventilación".

Conexión por cable directo

Use cuando los códigos locales permitan la conexión del conductor de tierra de la carcasa al hilo neutro.

3. Prepare el cable de 3 hilos para la conexión directa



El cable de conexión directa debe tener 5 pies (1,52 m) extra de largo para poder mover la secadora si fuese necesario.

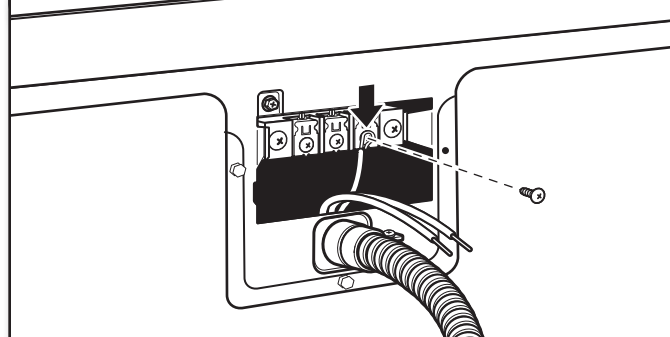
Pele 3 1/2" (89 mm) de la cubierta exterior desde el extremo del cable. Pele el aislamiento 1" (25 mm) hacia atrás. Si usa un cable trifilar con hilo de tierra, corte el hilo desnudo para que quede nivelado con la cubierta exterior. Doble los extremos de los hilos para formar un gancho.

4. Conecte los hilos al bloque de terminal



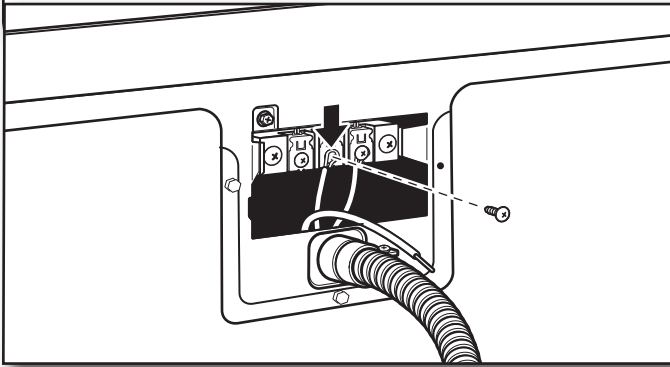
Para conectar los hilos al bloque de terminal, coloque el extremo del hilo en forma de gancho debajo del tornillo del bloque de terminal, mirando hacia la derecha; apriete el extremo en forma de gancho y apriete el tornillo.

5. Conecte el hilo neutro



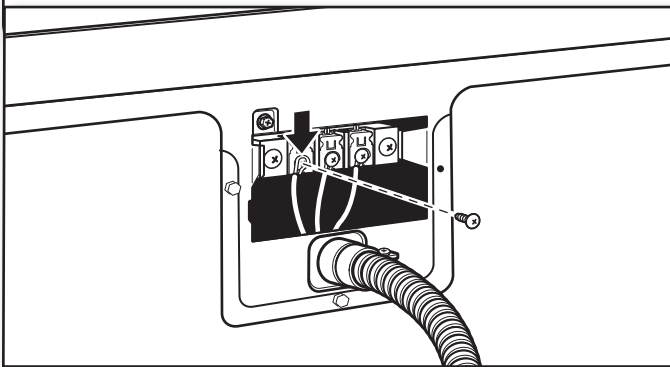
Coloque el extremo en forma de gancho del alambre neutro (azul) del cable de suministro eléctrico debajo del tornillo derecho del bloque de terminal (con el gancho mirando hacia la derecha). Apriete y junte el extremo en forma de gancho. Apriete el tornillo.

6. Conecte el hilo a tierra



Coloque el extremo en forma de gancho del alambre a tierra del cable de suministro eléctrico debajo del tornillo central del bloque de terminal (con el gancho mirando hacia la derecha). Apriete y junte el extremo en forma de gancho y apriete el tornillo.

7. Conecte el alambre activo



Coloque el extremo en forma de gancho del alambre activo (café) del cable de suministro eléctrico debajo del tornillo izquierdo del bloque de terminal (con el gancho mirando hacia la derecha). Apriete y junte el extremo en forma de gancho. Apriete el tornillo y el tornillo del protector de cables.

Por último vuelva a insertar la lengüeta de la tapa del bloque de terminal dentro de la ranura del panel posterior de la secadora. Asegure la tapa con un tornillo de sujeción. Ahora vaya a "Requisitos de ventilación".

VENTILACIÓN

REQUISITOS DE VENTILACIÓN

⚠ ADVERTENCIA



Peligro de Incendio

Use un ducto de escape de metal pesado.

No use un ducto de escape de plástico.

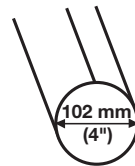
No use un ducto de escape de aluminio.

No seguir estas instrucciones puede ocasionar la muerte o incendio.

ADVERTENCIA: Para reducir el riesgo de incendio, esta secadora DEBE VENTILARSE HACIA EL EXTERIOR.

IMPORTANTE: Observe todos los códigos y reglamentos aplicables.

El ducto de escape de la secadora no debe conectarse en ningún ducto de gas, chimenea, pared, techo, desván, espacio oculto o el espacio oculto de un edificio. Deberá usarse solamente un ducto de metal rígido o flexible para la ventilación.



- Sólo puede usarse un ducto de escape de metal pesado de 4" (102 mm) y abrazaderas.
- No use ducto de escape de plástico o de hoja de metal.

Ducto de escape de metal rígido:

- Se recomienda para un mejor desempeño en el secado y para evitar que se aplaste o se tuerza.

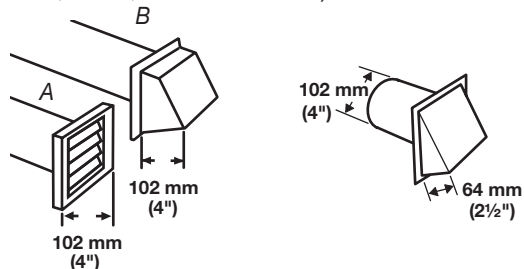
Ducto de escape de metal flexible: (Es aceptable sólo si es accesible para la limpieza)

- Deberá extenderse por completo y tener soporte en la ubicación final de la secadora.
- Quite el exceso del mismo para evitar que se doble y se tuerza, lo cual podría dar lugar a una reducción del flujo de aire y a un rendimiento insuficiente.
- No instale un ducto de escape de metal flexible en paredes, techos o pisos encerrados.
- La longitud total no deberá exceder los 2,4 m (7³/₄ pies).

NOTA: Si se usa un sistema de ventilación existente, limpie la pelusa de toda la longitud del sistema y asegúrese de que la capota de ventilación no esté obstruida con pelusa. Reemplace los ductos de escape de plástico o de hoja de metal por ductos de metal rígido o de metal flexible. Revise el "Cuadro del sistema de ventilación" y, si es necesario, modifique el sistema de ventilación existente para lograr el mejor desempeño de secado.

Capotas de ventilación:

- Deberán estar a por lo menos 305 mm (12") desde el piso o cualquier objeto que pueda obstruir la salida (tales como flores, rocas, arbustos o nieve).

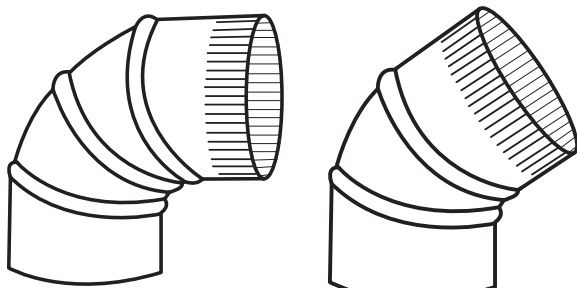


Estilos recomendados:
A. Capota tipo persiana
B. Capota tipo caja

Estilo aceptable:
Capota angular

Codos:

- Los codos de 45° proveen un mejor flujo de aire que los codos de 90°.

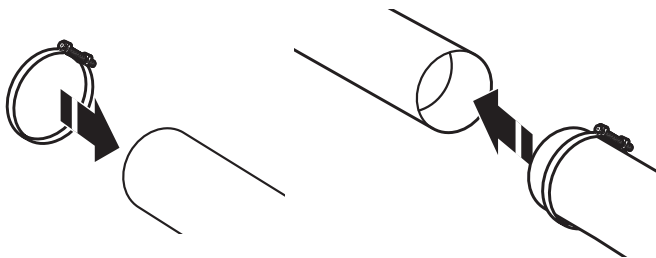


Bueno

Mejor

Abrazaderas:

- Utilice abrazaderas para sellar todas las juntas.
- No debe conectarse ni asegurarse el ducto de escape con tornillos ni con ningún otro dispositivo de sujeción que se extienda hacia el interior de dicho ducto y atrape pelusa. No utilice cinta para ductos.



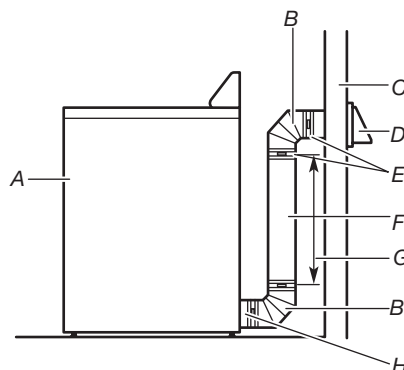
La ventilación inadecuada puede ocasionar la acumulación de humedad y pelusa en la casa, lo cual puede dar como resultado:

- Daños de humedad en la carpintería, muebles, pintura, empapelado, alfombras, etc.
- Problemas en la limpieza de la casa y de salud.

PLANIFICACIÓN DEL SISTEMA DE VENTILACIÓN

Instalaciones recomendadas de ventilación

Las instalaciones típicas tienen la ventilación de la secadora en la parte posterior de la misma. Otras instalaciones son posibles.



- | | |
|--------------------------|---|
| A. Secadora | E. Abrazaderas |
| B. Codo | F. Ducto de escape de metal rígido o flexible |
| C. Pared | G. Longitud necesaria del ducto de escape para conectar los codos |
| D. Capota de ventilación | H. Salida de escape |

⚠ ADVERTENCIA



Peligro de Incendio

Cubra los orificios de escape no usados con un juego de cubierta para orificios de escape del fabricante.

Comuníquese con su distribuidor local.

No seguir estas instrucciones puede ocasionar la muerte, incendio, choque eléctrico, o lesiones graves.

Determinación de la vía del ducto de escape:

- Seleccione la vía que proporcione el trayecto más recto y directo al exterior.
- Planifique la instalación a fin de usar el menor número posible de codos y vueltas.
- Cuando use los codos o haga vueltas, deje todo el espacio que sea posible.
- Doble el ducto gradualmente para evitar torceduras.

Largo del sistema de ventilación:

La longitud máxima del sistema de ventilación depende del tipo de ducto que se use, el número de codos y el tipo de capota de ventilación.

La longitud máxima para el ducto de escape rígido y flexible se muestra en el cuadro.

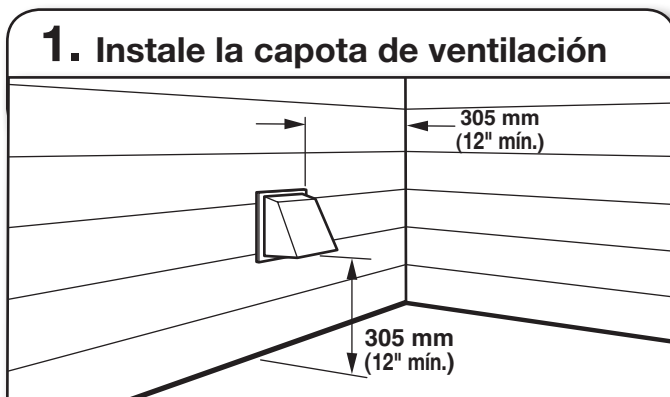
El cuadro del sistema de ventilación indica los requisitos de ventilación que le ayudarán a alcanzar el mejor rendimiento de secado.

Cuadro del sistema de ventilación			
Número de codos de 90°	Tipo de ducto de escape	Capotas de ventilación tipo caja/persiana	Capotas angulares
0	Metal rígido	20 m (64 ft.)	17.7 m (58 ft.)
1	Metal rígido	16.5 m (54 ft.)	14.6 m (48 ft.)
2	Metal rígido	13.4 m (44 ft.)	11.6 m (38 ft.)
3	Metal rígido	10.7 m (35 ft.)	8.8 m (29 ft.)
4	Metal rígido	8.2 m (27 ft.)	6.4 m (21 ft.)

Para los sistemas de ventilación no cubiertos en el Cuadro de sistemas de ventilación, póngase en contacto con el distribuidor en donde compró la secadora.

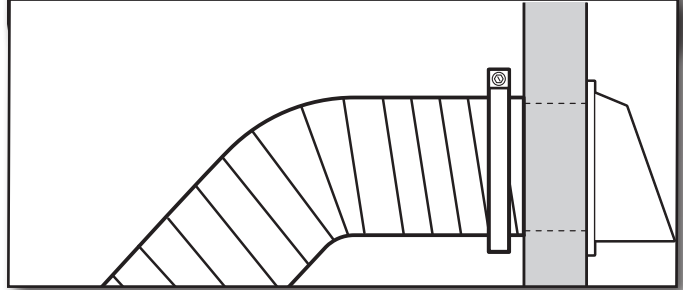
Si la secadora está instalada en un área cerrada tal como un dormitorio, baño o clóset, deberán tomarse las provisiones necesarias para que haya aire suficiente para la combustión y la ventilación. (Verifique los códigos y reglamentos aplicables.) Vea "Instrucciones para la instalación empotrada o en clóset" en la sección "Requisitos de ubicación".

INSTALACIÓN DEL SISTEMA DE VENTILACIÓN



Instale la capota de ventilación y use compuesto para calafateo para sellar la abertura exterior de la pared alrededor de la capota de ventilación.

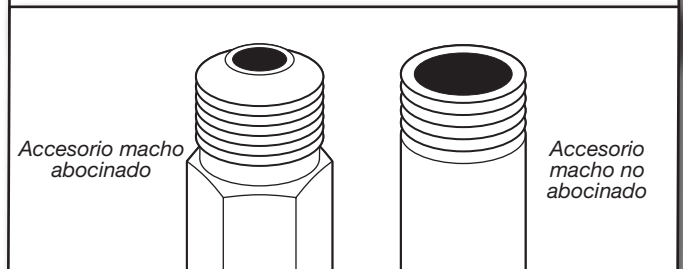
2. Conecte el ducto de escape a la capota de ventilación



El ducto de escape debe encajar sobre la capota de ventilación. Asegure el ducto de escape a la capota de ventilación con una abrazadera de 4" (102 mm). Extienda el ducto de escape a la ubicación de la secadora usando la trayectoria más recta que sea posible. Evite giros de 90°. Utilice abrazaderas para sellar todas las juntas. Para asegurar el ducto de escape, no use cinta para ductos, tornillos ni otros dispositivos de fijación que se extiendan hacia el interior de dicho ducto, ya que pueden atrapar pelusa.

CONEXIÓN DEL SUMINISTRO DE GAS

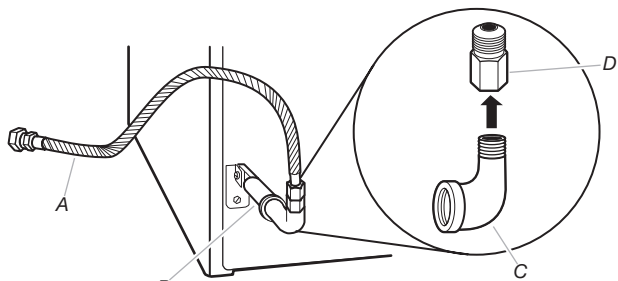
1. Conecte la línea de suministro de gas a la secadora



Quite la tapa roja del tubo de gas. Utilizando una llave de tuercas para ajustar, conecte el suministro de gas a la secadora. Use compuesto para unión de tubos en las roscas de todos los accesorios macho no abocinados. Si se usa tubería flexible de metal, asegúrese de que no hayan partes retorcidas.

NOTA: Para las conexiones de gas LP, debe usar un compuesto para unión de tuberías resistente a la acción del gas LP. No utilice cinta TEFLON[†].

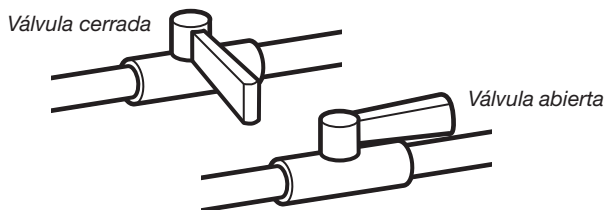
2. Planifique la conexión del accesorio para la tubería



A. Conector flexible de gas de 3/8"
B. Tubo de la secadora de 3/8"
C. Codo de tubería de 3/8" a 3/8"
D. Accesorio adaptador abocinado para tubo de 3/8"

Se debe usar una combinación de accesorios para tuberías para conectar la secadora a la línea de suministro de gas existente. Se muestra una conexión recomendada. Su conexión puede ser distinta, de acuerdo con el tipo de línea de suministro, tamaño y ubicación.

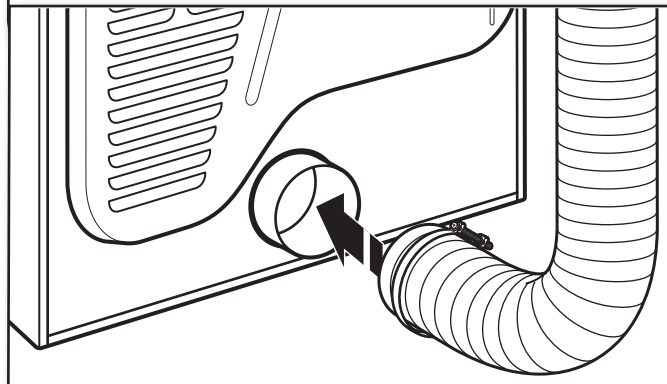
3. Válvula de cierre abierta



Abra la válvula de cierre en la línea de suministro; la válvula está abierta cuando la manija está paralela al tubo de gas. Luego pruebe todas las conexiones aplicando con un cepillo una solución aprobada para detección de fugas que no sea corrosiva. Se observarán burbujas si hay fugas. Tape cualquier fuga que encuentre.

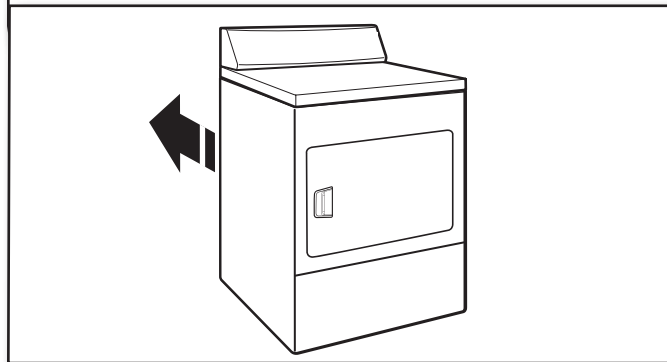
CONEXIÓN DEL DUCTO DE ESCAPE

1. Conecte el ducto de escape a la salida de escape



Usando una abrazadera de 102 mm (4"), conecte el ducto de escape a la salida de aire en la secadora. Si se conecta a un ducto de escape existente, asegúrese de que el mismo esté limpio. El ducto de escape de la secadora debe encajar sobre la salida de aire de la secadora y dentro de la capota de ventilación. Cerciórese de que el ducto de escape esté asegurado a la capota de ventilación con una abrazadera de 102 mm (4").

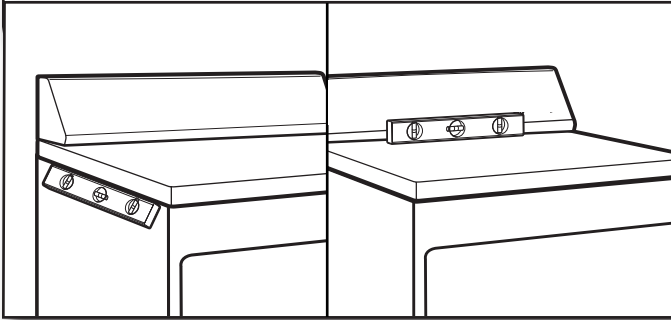
2. Traslade la secadora hacia su ubicación final



Traslade la secadora hacia su ubicación final. Evite aplastar o retorcer el ducto de escape. Después de que la secadora se encuentre en su ubicación final, quite los esquinales y el cartón que están debajo de la misma.

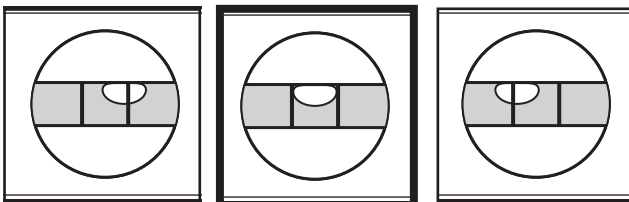
NIVELACIÓN DE LA SECADORA

1. Nivele la secadora



Revise la nivelación de la secadora de lado a lado. Repita el procedimiento de adelante hacia atrás.

NOTA: La secadora debe estar nivelada para que el sistema de detección de humedad funcione correctamente.

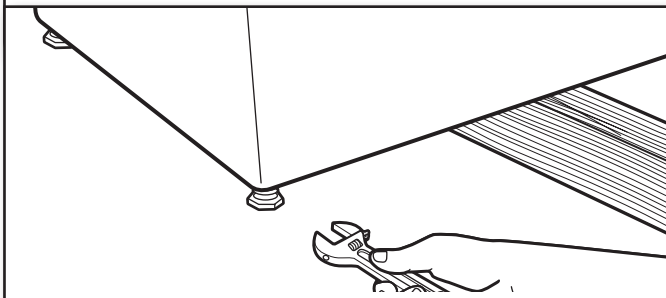


No está nivelada

NIVELADA

No está nivelada

2. Apriete y regule las patas niveladoras



Si la secadora no está nivelada, levántela colocando un bloque de madera; use una llave de tuercas para regular las patas hacia arriba o hacia abajo y revise nuevamente si está nivelada. Una vez que las patas estén niveladas, cerciórese de que las cuatro patas estén ajustadas contra el suelo antes de apretarlas.

LISTA DE CONTROL DE LA INSTALACIÓN TERMINADA

- Verifique que todas las piezas estén ahora instaladas. Si hay alguna pieza extra, vuelva a revisar todos los pasos para ver qué se omitió.
- Verifique que tenga todas las herramientas.
- Deshágase de todos los materiales de embalaje o recíclelos.
- Revise la ubicación final de la secadora. Asegúrese de que el ducto de escape no esté aplastado ni retorcido.
- Para una instalación con cable de suministro de energía, enchufe en el contacto. Para una instalación con cableado directo, encienda el suministro de energía.
- Verifique que la estufa esté nivelada. Vea “Nivelación de la secadora”.
- Quite la película que está en la consola y cualquier cinta adhesiva que haya quedado en la secadora.
- Limpie el interior del tambor de la secadora meticulosamente con un paño húmedo para quitar residuos de polvo.
- Lea “Uso de la secadora” en el “Manual de uso y cuidado”.
- Fije la secadora en un ciclo con calor máximo (no en un ciclo de aire) por 20 minutos y póngala en marcha. (Si su secadora a gas tiene un sistema de encendido electrónico para el quemador, que es completamente automático; el usuario no tiene que hacer nada [no hay luz piloto]).

Si la secadora no funciona, revise lo siguiente:

- Que los controles estén fijados en una posición de funcionamiento Encendido (“On”).
- Que se haya presionado con firmeza el botón de Inicio (Start).
- Que la secadora esté enchufada en un contacto y/o el suministro de energía eléctrica esté encendido.
- Que el fusible de la casa esté intacto y ajustado, o que no se haya disparado el cortacircuitos.
- Que la puerta de la secadora esté cerrada.
- Cuando la secadora haya estado funcionando por 5 minutos, abra la puerta y sienta si hay calor. Si siente calor, cancele el ciclo y cierre la puerta.

Modelos eléctricos:

Si no siente el calor, apague la secadora y revise lo siguiente:

- Es posible que hayan 2 fusibles o cortacircuitos domésticos para la secadora. Asegúrese de que ambos fusibles estén intactos y ajustados, o de que ningún cortacircuitos se haya disparado. Si aún así no siente calor, contacte a un técnico calificado.

Modelos del gas:

Si no siente calor, apague la secadora y verifique si la válvula de cierre de la línea de suministro de gas está abierta.

- Si la válvula de cierre de la línea de suministro de gas está cerrada, ábrala y repita la prueba de 5 minutos como se ha descrito arriba.
- Si la válvula de cierre de la línea de suministro de gas está abierta, contacte a un técnico calificado.

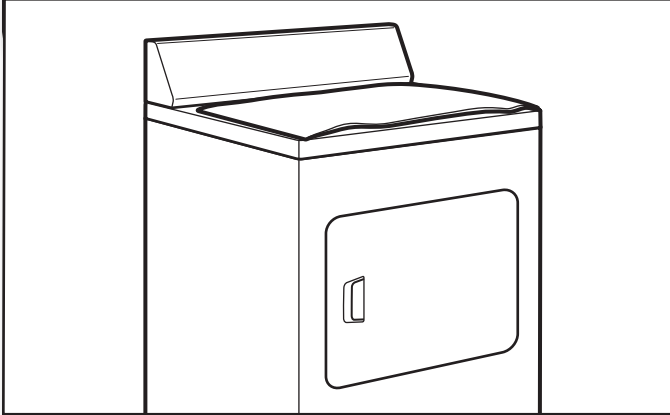
NOTA: Podrá notar un olor cuando la secadora se calienta por primera vez. Este olor es común cuando se usa por primera vez el elemento calefactor. El olor desaparecerá.

Se ha terminado la instalación. Consulte “Cambio del sentido de abertura de la puerta”, si lo desea.

CAMBIO DEL SENTIDO DE ABERTURA DE LA PUERTA (OPCIONAL)

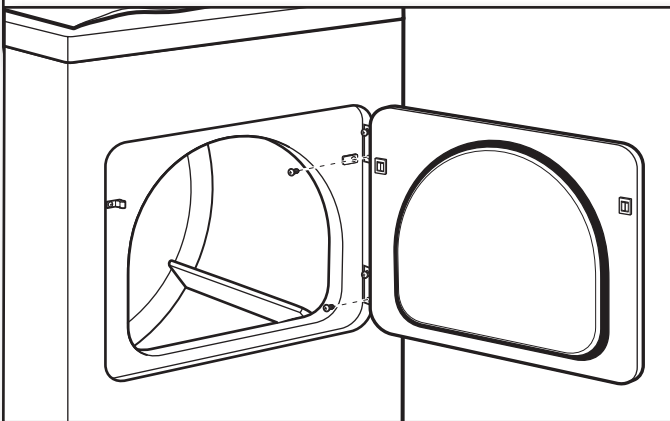
Se muestra el modelo de puerta con abertura lateral.

1. Coloque una toalla sobre la secadora



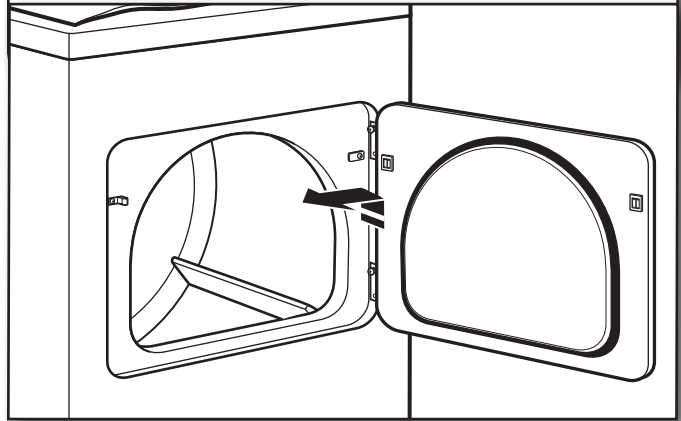
Coloque una toalla encima de la secadora para evitar dañar la superficie.

2. Quite los tornillos de la parte inferior



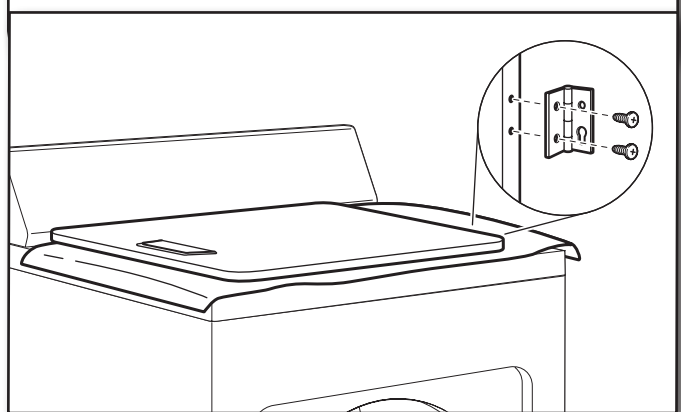
Abra la puerta de la secadora. Extraiga los tornillos inferiores de las bisagras del lado de la carcasa. Afloje (no extraiga) los tornillos superiores de las bisagras del lado de la carcasa.

3. Levante y quite la puerta de los tornillos de la parte superior



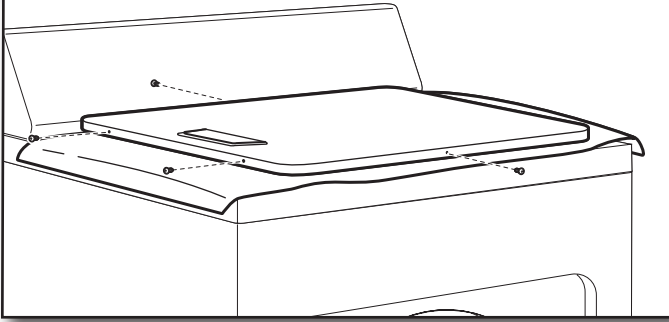
Levante la puerta hasta que los tornillos superiores de la carcasa estén en la parte grande de la ranura de la bisagra. Jale la puerta hacia adelante para separarla de los tornillos. Coloque la puerta (con el lado de la manija hacia arriba) encima de la secadora. Extraiga los tornillos superiores de la carcasa de la secadora.

4. Quite los tornillos de las bisagras



Quite los tornillos que unen las bisagras con la puerta.

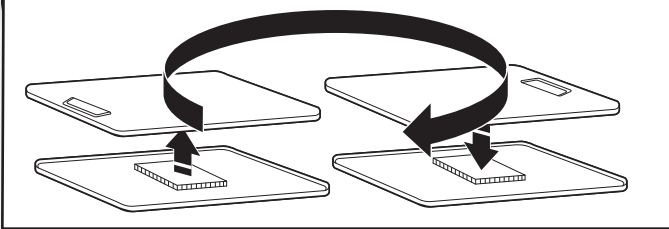
5. Quite los tornillos de la puerta



Quite los tornillos de la parte superior, inferior y lateral de la puerta (4 tornillos). Mantenga los tornillos de la puerta separados de los tornillos de la bisagra, ya que son de distintos tamaños. Sosteniendo la puerta sobre la toalla encima de la secadora, sujete los lados de la puerta exterior y levántela para separarla de la puerta interior.

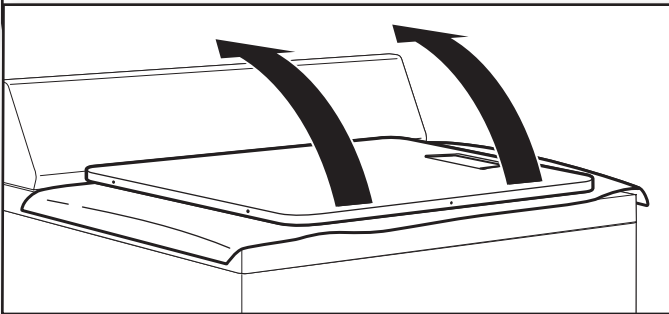
NOTA: No haga palanca con un cuchillo para masilla o un destornillador. No jale el sello de la puerta ni los seguros de plástico de la puerta.

6. Gire la puerta exterior



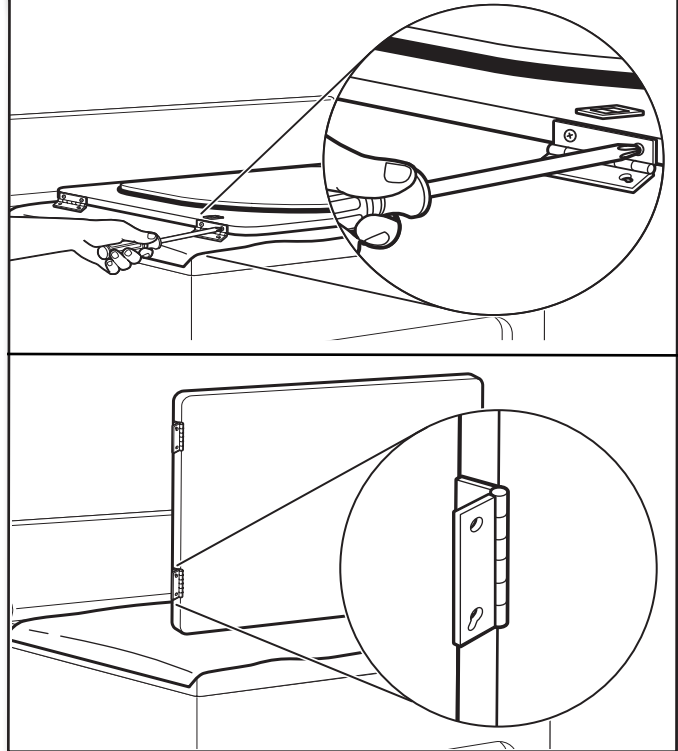
Tome la puerta exterior, gírela 180° y colóquela de nuevo sobre la puerta interior. Asegúrese de mantener el espaciador de cartón centrado entre las puertas. Vuelva a sujetar el panel exterior al panel interior de la puerta, de modo que la manija quede en el lado en donde recién se han quitado las bisagras. Inserte los 4 tornillos de la puerta.

7. Dé vuelta la puerta



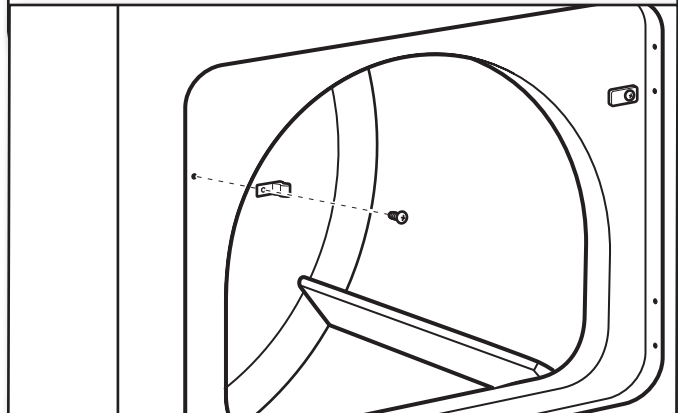
Dé vuelta la puerta de modo que la manija quede hacia abajo.

8. Sujete las bisagras de la puerta



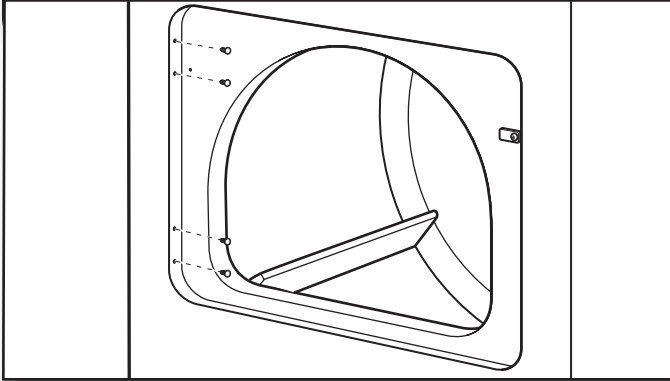
Fije las bisagras de la puerta a la puerta de la secadora, de manera que el orificio más grande quede en la parte inferior de la bisagra.

9. Quite el tope de la puerta



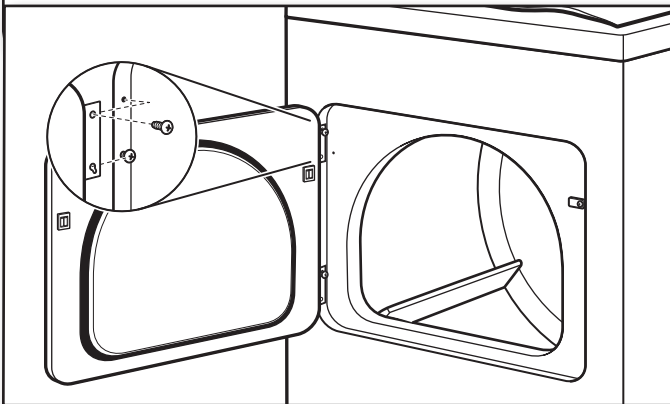
Quite el tope de la puerta de la carcasa de la secadora y colóquelo a un lado.

10. Quite y transfiera los tapones de los orificios de la bisagra



Use un destornillador pequeño de hoja plana para quitar cuidadosamente 4 tapones de los orificios de las bisagras en el lado izquierdo de la carcasa de la secadora. Mueva los tapones de los orificios de la bisagra al lado opuesto de la carcasa de la secadora.

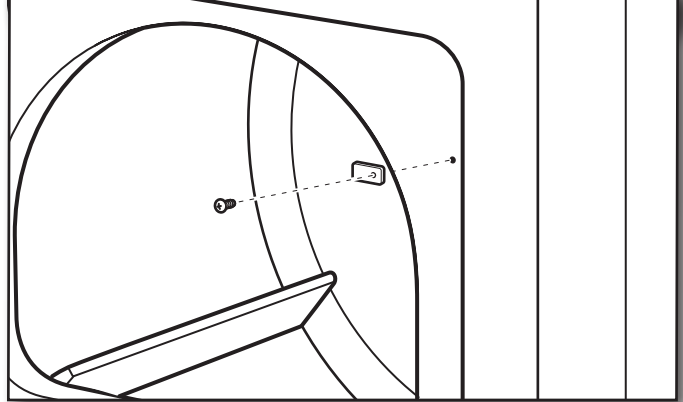
11. Inserte los tornillos en los orificios de la carcasa de la secadora



NOTA: Puede ser que necesite la ayuda de dos personas para instalar la puerta.

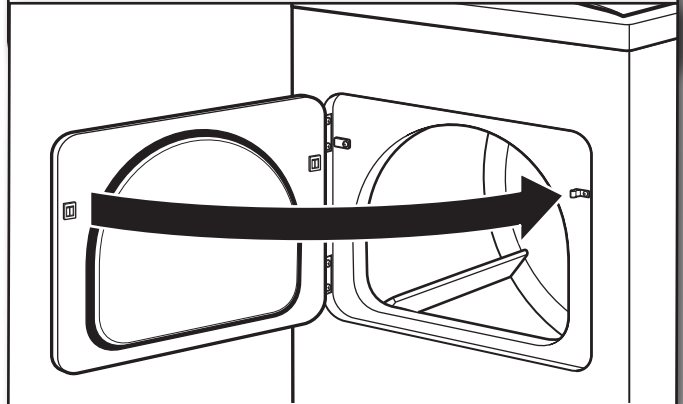
Introduzca los tornillos en los orificios inferiores del lado izquierdo de la carcasa de la secadora. Atorníllelos por la mitad. Coloque la puerta de tal forma que el extremo grande de la ranura de la bisagra esté sobre los tornillos. Deslice la puerta hacia arriba para que los tornillos estén en la parte de abajo de las ranuras. Apriete los tornillos. Introduzca y apriete los tornillos superiores en las bisagras.

12. Saque el tapón del tope de la puerta



Extraiga el tapón del tope de la puerta. Introduzca el tope de la puerta que usted quitó en el paso 9 en el orificio, y asegúrelo con un tornillo. Introduzca el tapón del tope de la puerta en el orificio original del tope de la puerta y asegúrelo con un tornillo.

13. Revise el alineamiento del tope de la puerta



Cierre la puerta y asegúrese de que el tope de la misma esté alineado con el seguro de la puerta. Si es necesario, deslice el seguro de la puerta hacia la izquierda o derecha dentro de la ranura a fin de ajustar la alineación.

SOLUCIÓN DE PROBLEMAS

Consulte el "Manual de uso y cuidado" para evitar posiblemente el costo de una visita de servicio técnico.

W10518964A

© 2012.
All rights reserved.
Todos los derechos reservados.

06/12
Printed in U.S.A.
Impreso en EE. UU.