

KitchenAid® Beverage Center

PRODUCT MODEL NUMBER

KBCO24LSBX KBCO24RSBX

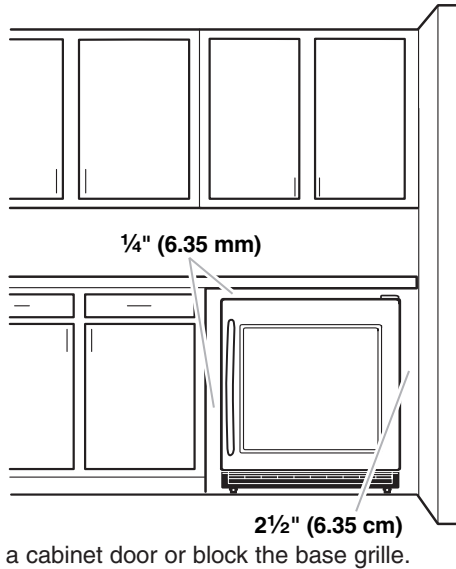
Electrical: 115-Volt, 60-Hz, AC-only 15- or 20-amp fused, grounded electrical supply is required. It is recommended that a separate circuit serving only your beverage center be provided. Use an outlet that cannot be turned off by a switch. Do not use an extension cord.

NOTE: Before performing any type of installation, cleaning or removing a light bulb, unplug beverage center or disconnect power.

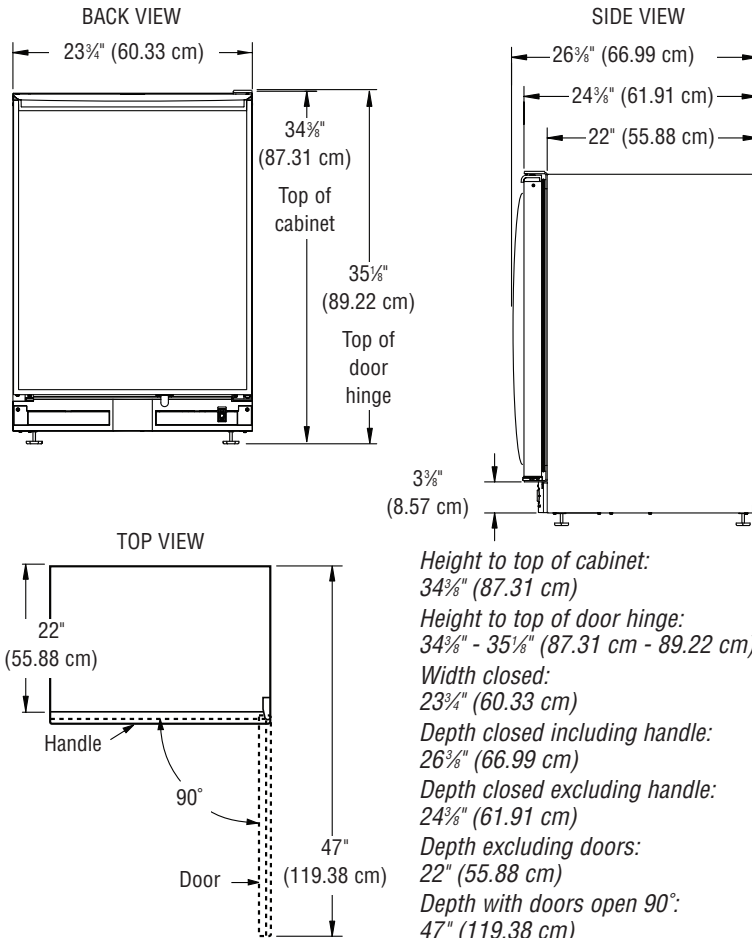
LOCATION REQUIREMENTS

To ensure proper ventilation for your beverage center, allow for a $\frac{1}{4}$ " (6.35 mm) space on each side and at the top. When installing your beverage center next to a fixed wall, leave $2\frac{1}{2}$ " (6.35 cm) minimum clearance on each side to allow for the door to swing open.

NOTE: It is recommended that you do not install the beverage center near an oven, radiator, or other heat source. Do not install in a location where the temperature will fall below 55°F (13°C). For best performance, do not install the beverage center behind a cabinet door or block the base grille.



OVERALL DIMENSIONS



CUSTOM OVERLAY FRAME

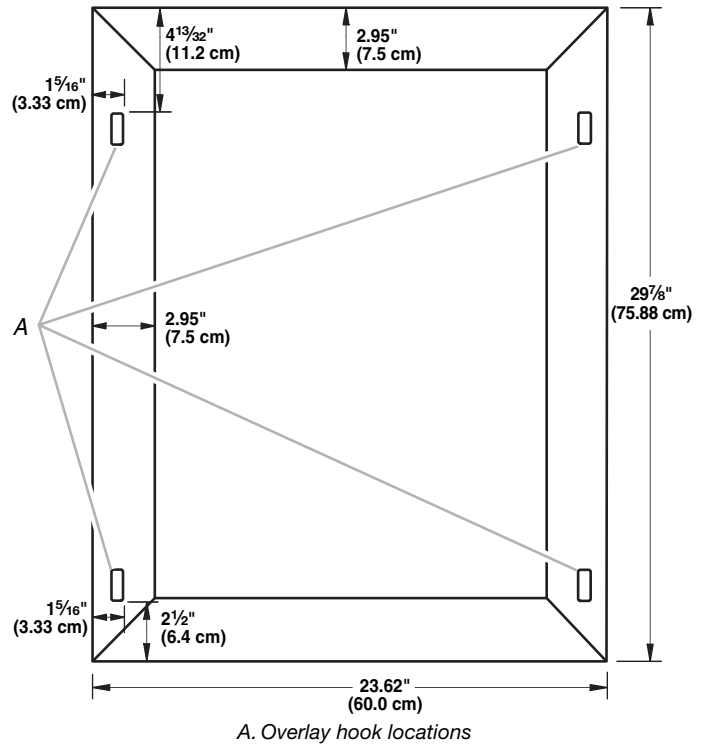
If you plan to install a custom overlay frame, you will need to create the frame yourself or consult a qualified cabinetmaker or carpenter. See dimension drawings for frame specifications.

IMPORTANT:

- The thickness of the overlay frame must be $\frac{3}{4}$ " (1.91 cm).
- Overlay frame must not weigh more than 10 lbs (4.54 kg).
- Overlay frames weighing more than recommended may cause damage to your appliance.

Overlay Frame — Rear View

Create the custom overlay frame using the dimensions shown.



Install Overlay Hooks

Using a Phillips screwdriver and eight flat-head screws attach the overlay hooks to the back of the overlay frame.

