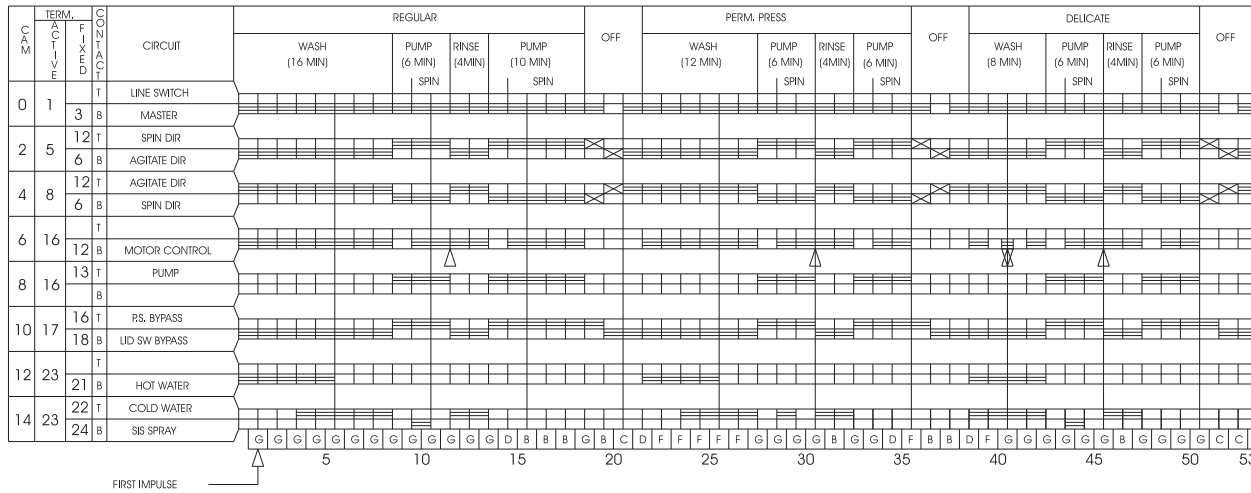
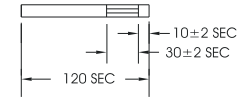


CAUTION: DISCONNECT ELECTRIC CURRENT BEFORE SERVICING



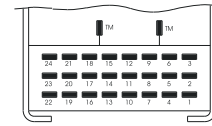
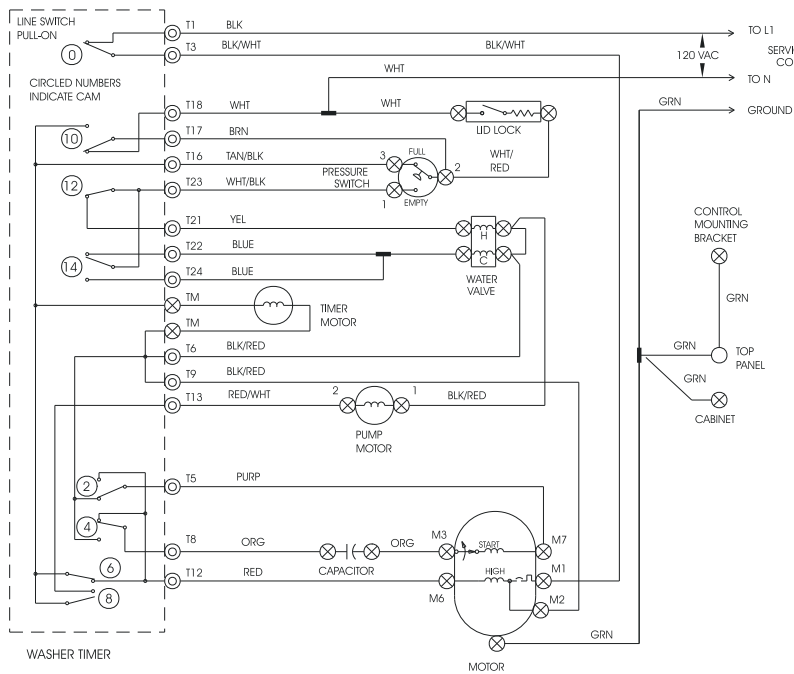
SUBINTERVAL SPRAY DETAIL



⌘ INDICATES SWITCH CLOSED FOR APPROX. 5 SEC.
 ▲ INDICATES SWITCH OPEN FOR 9 ± 4 SEC.

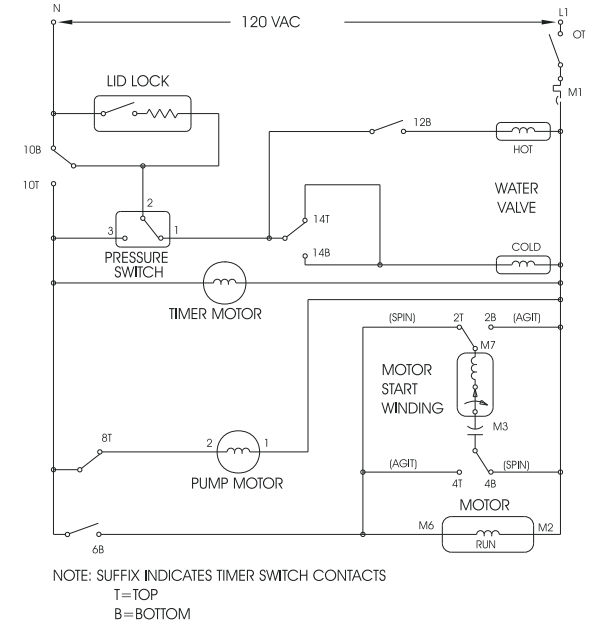
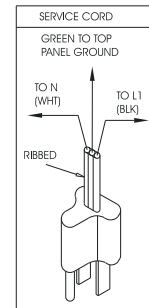
RACHET ANGLE LEGEND

A	= 4.5°
B	= 5.0°
C	= 5.5°
D	= 6.0°
E	= 6.5°
F	= 7.0°
G	= 7.5°



WIRING CODES

- ⊙ PLUG-IN TIMER TERMINAL
- ⊗ QUICK DISCONNECT TERMINAL
- SCREW TERMINAL
- CONNECTION
- + NO CONNECTION
- ⊞ MOTOR SWITCH
- SPICE
- MOTOR PROTECTOR



NOTE: SUFFIX INDICATES TIMER SWITCH CONTACTS
 T=TOP
 B=BOTTOM