

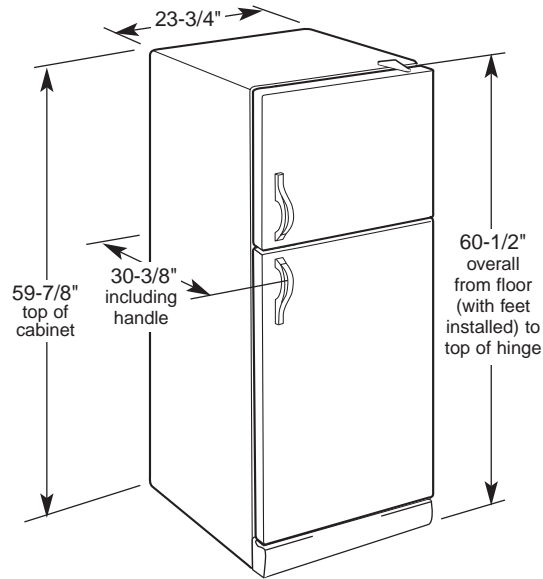
# ROPER® Refrigerator

## PRODUCT MODEL NUMBERS

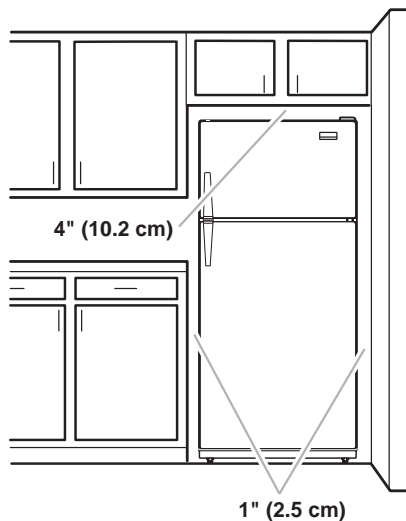
RT12VKXX  
RT12VKYK

**Electrical:** A 115 Volt, 60 Hz., AC only 15 or 20 ampere fused (or circuit breaker), grounded electrical supply is required. It is recommended that a separate circuit serving only your refrigerator be provided. Use an outlet that cannot be turned off by a switch. Do not use an extension cord.

## OVERALL DIMENSIONS



## LOCATION REQUIREMENTS



To ensure proper ventilation for your refrigerator, allow for a 1" (2.5 cm) space on each side.

Allow 4" (10.2 cm) of space between overhead cabinets and refrigerator top.

Allow at least 3" (7.5 cm) between back of cabinet and the wall.

If your refrigerator has an ice maker, make sure you leave some extra space at the back for the water line connections. The refrigerator can be flush against the back wall if you do not have an ice maker installed.

If the hinge side of the refrigerator is to be against a wall, you might want to leave extra space so the door can swing open.

Level the refrigerator.

**NOTE:** Do not install the refrigerator near an oven, radiator, or other heat source, nor in a location where the temperature will fall below 40° F (5° C).