

# KitchenAid®

Instructions and Recipes

Instructions et recettes

Instrucciones y recetas



1.855.845.9684  
DETAILS INSIDE



## 2 Year Hassle Free Warranty

---



We're so confident the quality of our products meets the exacting standards

of KitchenAid that, if your Stand Mixer should fail within the first two years of ownership, KitchenAid will arrange to deliver an identical or comparable replacement to your door free of charge and arrange to have your "failed" Stand Mixer returned to us. Your replacement unit will also be covered by our two year full warranty. Please follow these instructions to receive this quality service.

**If you reside in the 50 United States or Puerto Rico** and your KitchenAid® Stand Mixer should fail within the first two years of ownership, simply call our toll-free Customer Satisfaction Center at **1-855-845-9684**, 8 a.m. to 8 p.m., Monday through Friday Eastern Time. Give the consultant your complete shipping address.

When you receive your replacement Stand Mixer, use the carton and packing materials to pack-up your "failed" Stand Mixer. In the carton, include your name, address, and phone number on a sheet of paper along with a copy of the proof of purchase (register receipt, credit card charge slip, etc.).

For a detailed explanation of warranty terms and conditions, including how to arrange for service outside the United States, see pages 5 and 6.

## Proof of Purchase & Product Registration

---

Always keep a copy of the sales receipt showing the date of purchase of your Stand Mixer. Proof of purchase will assure you of in-warranty service.

Before you use your Stand Mixer, please fill out and mail your product registration card packed

with the unit. This card will enable us to contact you in the unlikely event of a product safety notification and assist us in complying with the provisions of the Consumer Product Safety Act. This card does not verify your warranty.

Please complete the following for your personal records:

Model Number \_\_\_\_\_

Serial Number \_\_\_\_\_

Date Purchased \_\_\_\_\_

Store Name \_\_\_\_\_

# Table of Contents

---

2 Year Hassle Free Warranty .....	Inside Front Cover
Product Registration Card .....	Inside Front Cover
Stand Mixer Safety .....	4
Important Safeguards .....	4
Warranty .....	5
For the 50 United States, District of Columbia, and Puerto Rico .....	5
Arranging for Service after the Warranty Expires.....	6
Arranging for Service Outside the 50 United States and Puerto Rico.....	6
Ordering Accessories and Replacement Parts .....	6
Electrical Requirements .....	7
Troubleshooting Problems.....	7
<b>About Your Mixer</b>	
Bowl Lift Stand Mixer Features .....	8
Assembling Your Bowl Lift Mixer .....	9
Using the Pouring Shield .....	10
Using Your KitchenAid® Attachments .....	11
Mixing Time .....	11
Mixer Use .....	11
Care and Cleaning .....	12
Beater to Bowl Clearance .....	12
Speed Control Guide - 10 Speed Stand Mixers .....	13
Mixing Tips.....	14
Egg Whites.....	15
Whipped Cream .....	15
Attachments and Accessories.....	16
General Instructions .....	17
General Instructions for Mixing and Kneading Yeast Dough with the Rapid Mix Method.....	18
Recipes.....	21
KitchenAid® Attachments .....	28

# Stand Mixer Safety

## Your safety and the safety of others are very important.

We have provided many important safety messages in this manual and on your appliance. Always read and obey all safety messages.



This is the safety alert symbol.

This symbol alerts you to potential hazards that can kill or hurt you and others.

All safety messages will follow the safety alert symbol and either the word “DANGER” or “WARNING.” These words mean:



**You can be killed or seriously injured if you don't immediately follow instructions.**



**You can be killed or seriously injured if you don't follow instructions.**

All safety messages will tell you what the potential hazard is, tell you how to reduce the chance of injury, and tell you what can happen if the instructions are not followed.

## IMPORTANT SAFEGUARDS

When using electrical appliances, basic safety precautions should always be followed, including the following:

1. Read all instructions.
2. To avoid risk of electrical shock, do not put Stand Mixer in water or other liquid.
3. Close supervision is necessary when any appliance is used by or near children.
4. Unplug Stand Mixer from outlet when not in use, before putting on or taking off parts, and before cleaning.
5. Avoid contacting moving parts. Keep hands, hair, and clothing, as well as spatulas and other utensils away from beater during operation to reduce the risk of injury to persons and/or damage to the Stand Mixer.
6. Do not operate Stand Mixer with a damaged cord or plug or after the Stand Mixer malfunctions, or is dropped or damaged in any manner. Call the KitchenAid® Customer Satisfaction Center at 1-855-845-9684 for more information.
7. The use of attachments not recommended or sold by KitchenAid may cause fire, electrical shock, or injury.
8. Do not use the Stand Mixer outdoors.
9. Do not let the cord hang over edge of table or counter.
10. Remove flat beater, wire whip, or dough hook from Stand Mixer before washing.


## SAVE THESE INSTRUCTIONS

THIS PRODUCT IS DESIGNED FOR HOUSEHOLD  
USE ONLY.



# KitchenAid® Stand Mixer Warranty for the 50 United States, District of Columbia, and Puerto Rico

This warranty extends to the purchaser and any succeeding owner for Stand Mixers operated in the 50 United States, District of Columbia, and Puerto Rico.

Length of Warranty:	KitchenAid Will Pay For Your Choice of:	KitchenAid Will Not Pay For:
<p>2 year Hassle Free Warranty</p>	<div style="text-align: center;">  <p>The seal is circular with a gear-like border. Inside the border, it says 'TWO YEAR WARRANTY' at the top and 'DOS AÑOS DE GARANTÍA' at the bottom. In the center, there is a banner with the 'KitchenAid' logo.</p> </div> <p>2 year Hassle Free Warranty. See inside front cover for details on how to arrange for service, or call the Customer Satisfaction Center toll-free at 1-855-845-9684.</p> <p>OR</p> <p>The replacement parts and repair labor costs to correct defects in materials and workmanship.</p>	<p>A. Repairs when Stand Mixer is used in other than normal single family home use.</p> <p>B. Damage resulting from accident, alteration, misuse, or abuse.</p> <p>C. Replacement parts or repair labor costs for Stand Mixers operated outside the 50 United States, District of Columbia, and Puerto Rico.</p>

**KITCHENAID DOES NOT ASSUME ANY RESPONSIBILITY FOR INCIDENTAL OR CONSEQUENTIAL DAMAGES.** Some states do not allow the exclusion or limitation of incidental or consequential damages, so this exclusion may not apply to you. This warranty gives you specific legal rights and you may also have other rights which vary from state to state.

## **Arranging for Service after the Warranty Expires**

---

For service information, call toll-free  
1-855-845-9684 or write to:

Customer Satisfaction Center,  
KitchenAid Portable Appliances,  
P.O. Box 218, St. Joseph, MI 49085-  
0218.

## **Arranging for Service Outside the 50 United States and Puerto Rico**

---

Consult your local KitchenAid dealer  
or the store where you purchased the

Stand Mixer for information on how  
to obtain service.

## **Ordering Accessories and Replacement Parts**

---

To order accessories or replacement  
parts for your Stand Mixer, call toll-  
free 1-855-845-9684 or write to:

Customer Satisfaction Center,  
KitchenAid Portable Appliances,  
P.O. Box 218, St. Joseph, MI 49085-  
0218.

# Electrical Requirements

Volts: 120 A.C. only. Hertz: 60  
The power rating for your Stand Mixer is printed on the serial plate.

Do not use an extension cord. If the power supply cord is too short, have a qualified electrician or serviceman install an outlet near the appliance.

The maximum rating is based on the attachment that draws the greatest load (power). Other recommended attachments may draw significantly less power.

## **⚠ WARNING**



**Electrical Shock Hazard**  
**Plug into a grounded 3 prong outlet.**  
**Do not remove ground prong.**  
**Do not use an adapter.**  
**Do not use an extension cord.**  
**Failure to follow these instructions can result in death, fire, or electrical shock.**

# Troubleshooting Problems

**Please read the following before calling your service center.**

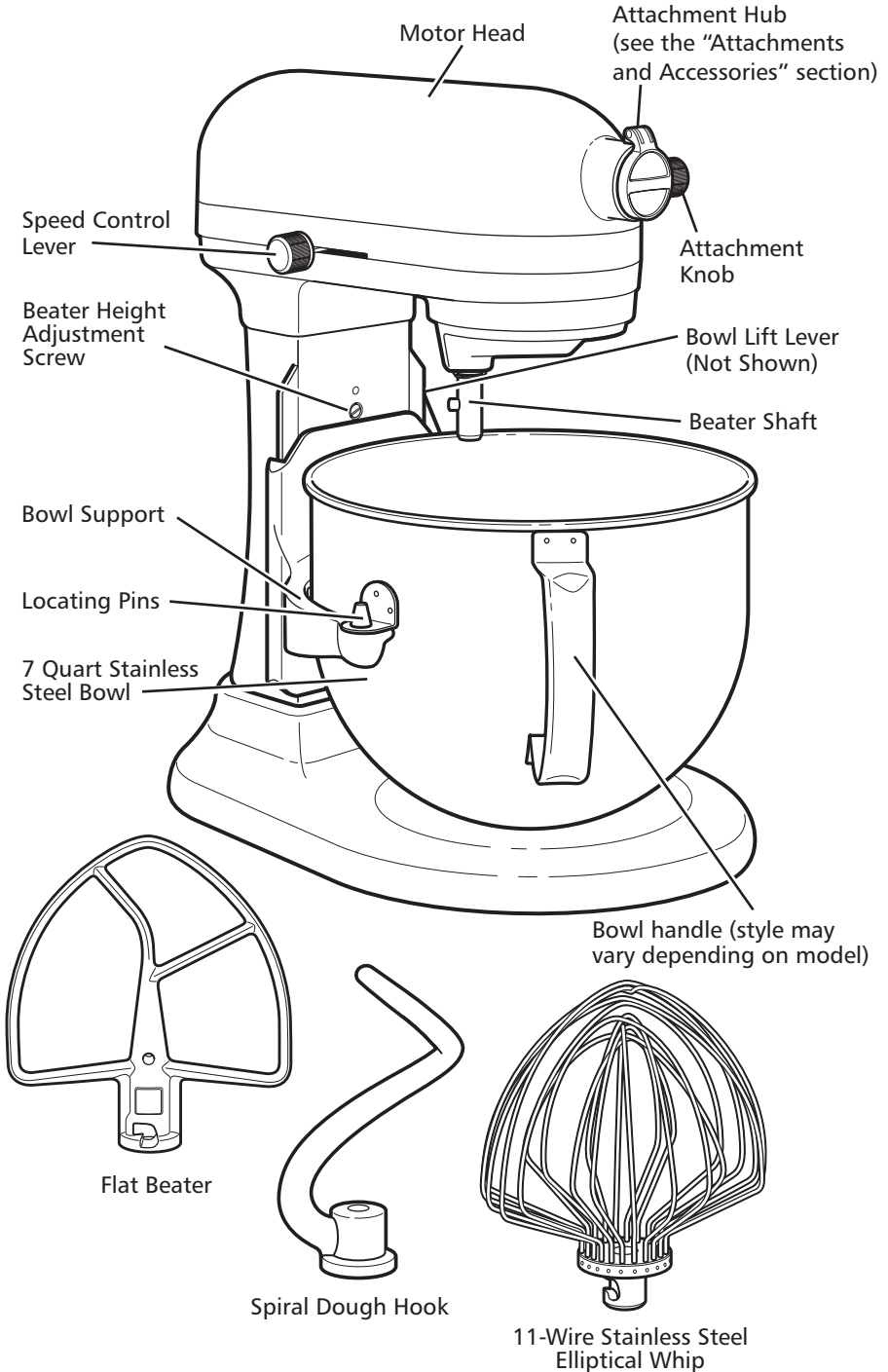
1. The Stand Mixer may become warm during use. Under heavy loads with extended mixing time periods, you may not be able to comfortably touch the top of the Stand Mixer. This is normal.
2. The Stand Mixer may emit a pungent odor, especially when new. This is common with electric motors.
3. If the flat beater hits the bowl, stop the Stand Mixer. See the "Beater to Bowl Clearance" section.

Keep a copy of the sales receipt showing the date of purchase. Proof of purchase will assure you of in-warranty service.

**If your Stand Mixer should malfunction or fail to operate, please check the following:**

- Is the Stand Mixer plugged in?
- Is the fuse in the circuit to the Stand Mixer in working order? If you have a circuit breaker box, be sure the circuit is closed.
- Turn the Stand Mixer off for 10-15 seconds, then turn it back on. If the mixer still does not start, allow it to cool for 30 minutes before turning it back on.
- If the problem is not due to one of the above items, see the "Arranging for Service" section.
- Do not return the Stand Mixer to the retailer, as they do not provide service.

# Bowl Lift Stand Mixer Features



# Assembling Your Bowl Lift Mixer

## **⚠️ WARNING**



### **Electrical Shock Hazard**

**Plug into a grounded 3 prong outlet.**

**Do not remove ground prong.**

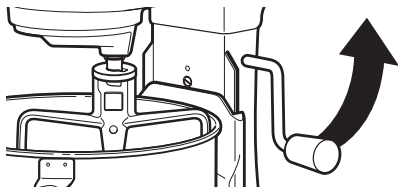
**Do not use an adapter.**

**Do not use an extension cord.**

**Failure to follow these instructions can result in death, fire, or electrical shock.**

### **To Attach Bowl**

1. Be sure speed control is OFF and Stand Mixer is unplugged.
2. Place bowl lift lever in down position.
3. Fit bowl supports over locating pins.
4. Press down on back of bowl until bowl pin snaps into spring latch.
5. Raise bowl before mixing.
6. Plug into a grounded 3 prong outlet.



### **To Raise Bowl**

1. Rotate lever to straight-up position.
2. Bowl must always be in raised, locked position when mixing.

### **To Lower Bowl**

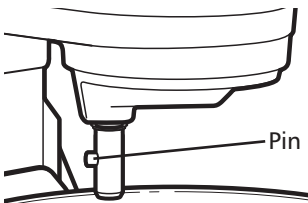
1. Rotate lever back and down.

### **To Remove Bowl**

1. Be sure speed control is OFF and Stand Mixer is unplugged.
2. Place bowl lift handle in down position.
3. Remove flat beater, wire whip, or spiral dough hook.
4. Grasp bowl handle and lift straight up and off locating pins.

### **To Attach Flat Beater, Wire Whip, or PowerKnead™ Spiral Dough Hook**

1. Slide speed control to OFF and unplug.
2. Slip flat beater on beater shaft.



3. Turn beater to right, hooking beater over the pin on shaft.
4. Plug into a grounded 3 prong outlet.

### **To Remove Flat Beater, Wire Whip, or PowerKnead™ Spiral Dough Hook**

1. Slide speed control to OFF and unplug.
2. Press beater upward and turn to the left.
3. Pull beater from beater shaft.

### **Household Stand Mixer Speed Control**

RESET STIR  
OFF/O



Plug into a grounded 3 prong outlet. Speed control lever should always be set on lowest speed for starting, then gradually moved to desired higher speed to avoid splashing ingredients out of bowl. See the "Speed Control Guide" section.

# Using the Pouring Shield\*

---

## Attaching the Pouring Shield

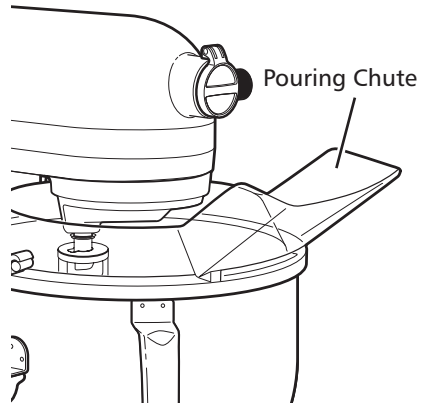
1. Make sure the speed control lever is set to the OFF/0 position.
2. Unplug the Stand Mixer.
3. Attach desired accessory and raise the mixing bowl.
4. Slide pouring shield collar around beater shaft, centering collar over rim of bowl.

## Using the Pouring Shield\*

Pour ingredients into the mixing bowl through the chute portion of shield.

**IMPORTANT:** Make sure the guides on the bottom of the chute rest on the rim of the bowl to keep ingredients from falling outside the bowl as they are added.

\*Included with some models.



## Removing the Pouring Shield

1. Make sure the speed control lever is set to the OFF/0 position.
2. Unplug the Stand Mixer.
3. Slide the pouring shield off the bowl.
4. Lower the bowl support by turning the bowl-lift lever down.
5. Remove accessory and the mixing bowl.

## Cleaning the Pouring Shield

Wash in warm, sudsy water. If you wish, you may place on the top rack of your dishwasher.



# Using Your KitchenAid® Attachments

---

Flat Beater for normal to heavy mixtures:

cakes	biscuits
creamed frostings	quick breads
candies	meat loaf
cookies	mashed potatoes
pie	pastry

Wire Whip for mixtures that need air incorporated:

eggs	sponge cakes
egg whites	angel food cakes
heavy cream	mayonnaise
boiled frostings	some candies

PowerKnead™ Spiral Dough Hook for mixing and kneading yeast doughs:

bread	coffee cakes
rolls	buns
pizza dough	

## Mixing Time

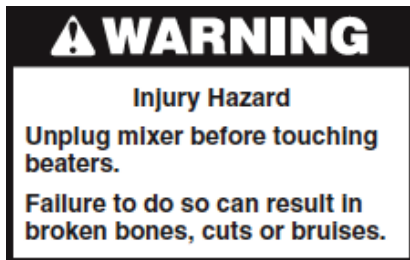
---

Your KitchenAid® Stand Mixer will mix faster and more thoroughly than most other electric stand mixers. Therefore, the mixing time in most

recipes must be adjusted to avoid overbeating. With cakes, for example, beating time may be half as long as with other stand mixers.

## Mixer Use

---



**NOTE:** Do not scrape bowl while Stand Mixer is operating.

The bowl and beater are designed to provide thorough mixing without frequent scraping. Scraping the bowl once or twice during mixing is usually sufficient. Turn Stand Mixer off before scraping. The Stand Mixer may warm up during use. Under heavy loads with extended mixing time, you may not be able to comfortably touch the top of the Stand Mixer. This is normal.

## Care and Cleaning

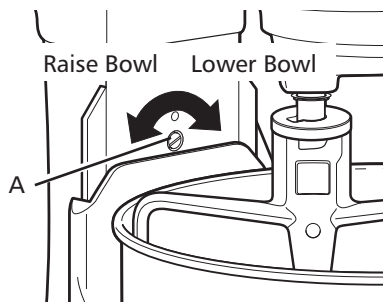
Bowl, coated metal flat beater, stainless steel wire whip, and coated metal spiral dough hook may be washed in an automatic dishwasher. Or, clean them thoroughly in hot sudsy water and rinse completely before drying. Do not store beaters on shaft.

**NOTE:** Always be sure to unplug stand mixer before cleaning. Wipe stand mixer with a soft, damp cloth. Do not use household/commercial cleaners. Do not immerse in water. Wipe off beater shaft frequently, removing any residue that may accumulate.

## Beater to Bowl Clearance

Your Stand Mixer is adjusted at the factory so the flat beater just clears the bottom of the bowl. If, for any reason, the flat beater hits the bottom of the bowl or is too far away from the bowl, you can correct the clearance easily.

1. Unplug Stand Mixer.
2. Place bowl lift handle in down position.
3. Attach flat beater.
4. Adjust so flat beater just clears bottom surface of bowl when in lifted position by turning screw (A) counterclockwise to raise the bowl and clockwise to lower the bowl. Just a slight turn is all that is required: the screw will not rotate more than 1/4 turn (90 degrees) in either direction. (The full range of adjustment is 1/2 turn, or 180 degrees.)
5. Place bowl lift handle in up position to check clearance.
6. Repeat steps 4 and 5 if necessary.



**NOTE:** When properly adjusted, the flat beater will not strike on the bottom or side of the bowl. If the flat beater or the wire whip is so close that it strikes the bottom of the bowl, coating may wear off the beater or wires on whip may wear.

# Speed Control Guide - 10 Speed Stand Mixers

---

All speeds have the Soft Start® feature that automatically starts the Stand Mixer at a lower speed to help avoid ingredient splash-out and “flour puff” at start-up, then quickly increases to the selected speed for optimal performance.

---

## Number of Speed

Stir Speed	STIR	For slow stirring, combining, mashing, starting all mixing procedures. Use to add flour and dry ingredients to batter, and add liquids to dry ingredients. Do not use STIR speed to mix or knead yeast doughs.
2	SLOW MIXING	For slow mixing, mashing, faster stirring. Use to mix and knead yeast doughs, heavy batters, and candies; start mashing potatoes or other vegetables; cut shortening into flour; mix thin or splashy batters.
4	MIXING, BEATING	For mixing semi-heavy batters, such as cookies. Use to combine sugar and shortening and to add sugar to egg whites for meringues. Medium speed for cake mixes. Use with: Food Grinder, Rotor Slicer/Shredder, Pasta Roller, and Fruit/Vegetable Strainer.
6	BEATING, CREAMING	For medium-fast beating (creaming) or whipping. Use to finish mixing cake, doughnut, and other batters. High speed for cake mixes. Use with Citrus Juicer attachment.
8	FAST BEATING, WHIPPING	For whipping cream, egg whites, and boiled frostings.
10	FAST WHIPPING	For whipping small amounts of cream, egg whites or for final whipping of mashed potatoes. Use with Pasta Maker and Grain Mill attachments. <b>NOTE:</b> Will not maintain fast speeds under heavy loads, such as when using Pasta Maker or Grain Mill attachments.

**NOTE:** Use Speed 2 to mix or knead yeast doughs. Use of any other speed creates high potential for Stand Mixer failure. The PowerKnead™ Spiral Dough Hook efficiently kneads most yeast dough within 4 minutes.

# Mixing Tips

---

## Converting Your Recipes for the Stand Mixer

The mixing instructions for recipes in this book can guide you in converting your own favorite recipes for preparation with your KitchenAid® Stand Mixer. Look for recipes similar to yours and then adapt your recipes to use the procedures in the similar KitchenAid® recipes.

For example, the “quick mix” method (sometimes referred to as the “dump” method) is ideal for simple cakes, such as the Quick Yellow Cake and Easy White Cake included in this book. This method calls for combining dry ingredients with most or all liquid ingredients in one step.

More elaborate cakes, such as Caramel Walnut Banana Torte, should be prepared using the traditional cake mixing method. With this method, sugar and the shortening, butter, or margarine are thoroughly mixed (creamed) before other ingredients are added.

For all cakes, mixing times may change because your KitchenAid® stand mixer works more quickly than other mixers. In general, mixing a cake with the KitchenAid® Stand Mixer will take about half the time called for in most cake recipes.

To help determine the ideal mixing time, observe the batter or dough and mix only until it has the desired appearance described in your recipe, such as “smooth and creamy.”

To select the best mixing speeds, use the “Speed Control Guide” section.

## Adding Ingredients

Always add ingredients as close to side of bowl as possible, not directly into moving beater. The Pouring Shield can be used to simplify adding ingredients.

**NOTE:** If ingredients in very bottom of bowl are not thoroughly mixed, then the beater is not far enough into the bowl. See the “Beater to Bowl Clearance” section.

## Cake Mixes

When preparing packaged cake mixes, use Speed 2 for low speed, Speed 4 for medium speed, and Speed 6 for high speed. For best results, mix for the time stated on the package directions.

## Adding Nuts, Raisins, or Candied Fruits

Follow individual recipes for guidelines on including these ingredients. In general, solid materials should be folded in the last few seconds of mixing on STIR Speed. The batter should be thick enough to keep the fruit or nuts from sinking to the bottom of the pan during baking. Sticky fruits should be dusted with flour for better distribution in the batter.

## Liquid Mixtures

Mixtures containing large amounts of liquid ingredients should be mixed at lower speeds to avoid splashing. Increase speed only after mixture has thickened.

## Egg Whites

---

Place room temperature egg whites in clean, dry bowl. Attach bowl and wire whip. To avoid splashing, gradually turn to designated speed and whip to desired stage. See chart below.

AMOUNT	SPEED
1 egg white.....	GRADUALLY to 10
2-4 egg whites.....	GRADUALLY to 8
6 or more egg whites.....	GRADUALLY to 8

### Whipping Stages

With your KitchenAid® Stand Mixer, egg whites whip quickly. So watch to avoid overwhipping. This list tells you what to expect.

#### Frothy

Large, uneven air bubbles.

#### Begins to Hold Shape

Air bubbles are fine and compact; product is white.

#### Soft Peak

Tips of peaks fall over when wire whip is removed.

#### Almost Stiff

Sharp peaks form when wire whip is removed, but whites are actually soft.

#### Stiff but not Dry

Sharp, stiff peaks form when wire whip is removed. Whites are uniform in color and glisten.

#### Stiff and Dry

Sharp, stiff peaks form when wire whip is removed. Whites are speckled and dull in appearance

## Whipped Cream

---

Pour cold whipping cream into chilled bowl. Attach bowl and wire whip. To avoid splashing, gradually turn to designated speed and whip to desired stage. See chart below.

AMOUNT	SPEED
1/4 cup (50 mL) .....	GRADUALLY to 10
1/2 cup (125 mL) ...	GRADUALLY to 10
1 cup (250 mL) .....	GRADUALLY to 8
1 pint (500 mL) .....	GRADUALLY to 8

### Whipping Stages

Watch cream closely during whipping. Because your KitchenAid® Stand Mixer whips so quickly, there are just a few seconds between whipping stages. Look for these characteristics:

#### Begins to Thicken

Cream is thick and custard-like.

#### Holds its Shape

Cream forms soft peaks when wire whip is removed. Can be folded into other ingredients when making desserts and sauces.

#### Stiff

Cream stands in stiff, sharp peaks when wire whip is removed. Use for topping on cakes or desserts, or filling for cream puffs.

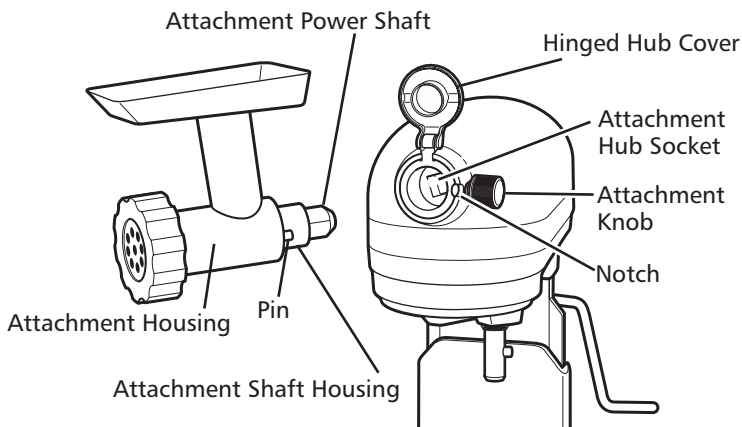
# Attachments and Accessories

---

## General Information

KitchenAid® Attachments are designed to assure long life. The attachment power shaft and hub socket are of a square design, to eliminate any possibility of slipping during the transmission of power to the attachment. The hub and shaft housing are tapered to assure a snug fit, even after prolonged use and wear. KitchenAid® Attachments require no extra power unit to operate them; the power unit is built-in.

See the Use and Care Guide that came with your Stand Mixer attachments for speed settings and operating time.





# General Instructions

## To Attach

1. Turn Stand Mixer off and unplug.
2. Loosen attachment knob by turning it counterclockwise.
3. Flip up hinged hub cover.
4. Insert attachment shaft housing into attachment hub, making certain that attachment power shaft fits into square attachment hub socket. It may be necessary to rotate attachment back and forth. When attachment is in proper position, the pin on the attachment will fit into the notch on the hub rim.
5. Tighten attachment knob by turning clockwise until attachment is completely secured to Stand Mixer.
6. Plug into a grounded 3 prong outlet.

## To Remove

1. Turn Stand Mixer off and unplug.
2. Loosen attachment knob by turning it counterclockwise. Rotate attachment slightly back and forth while pulling out.
3. Replace attachment hub cover. Tighten attachment knob by turning it clockwise.

## **WARNING**



### **Electrical Shock Hazard**

**Plug into a grounded 3 prong outlet.**

**Do not remove ground prong.**

**Do not use an adapter.**

**Do not use an extension cord.**

**Failure to follow these instructions can result in death, fire, or electrical shock.**

# General Instructions for Making and Kneading Yeast Dough with the Rapid Mix Method

“Rapid Mix” describes a bread baking method that calls for dry yeast to be mixed with other dry ingredients before liquid is added. In contrast, the traditional method is to dissolve yeast in warm water.

1. Place all dry ingredients including yeast into bowl, except last 1 to 2 cups flour.
2. Attach bowl and PowerKnead™ Spiral Dough Hook. Raise mixer bowl. Turn to Speed 2 and mix about 15 seconds, or until ingredients are combined.
3. Continuing on Speed 2, gradually add liquid ingredients to flour mixture and mix 1 to 2 minutes longer. See Illustration A.

**NOTE:** If liquid ingredients are added too quickly, they will form a pool around the PowerKnead™ Spiral Dough Hook and slow down mixing process.

4. Continuing on Speed 2, gently add remaining flour, 1/2 cup at a time. See Illustration B. Mix until dough starts to clean sides of bowl, about 2 minutes.
5. Knead on Speed 2 for 2 more minutes, or until dough is smooth and elastic. See Illustration C.
6. Lower bowl on mixer and remove dough from the bowl and PowerKnead™ Spiral Dough Hook. Follow directions in recipe for rising, shaping, and baking.

When using the traditional method to prepare a favorite recipe, dissolve yeast in warm water in warmed bowl. Add remaining liquids and dry ingredients, except last 1 to 2 cups flour. Turn to Speed 2 and mix about 1 minute, or until ingredients are thoroughly mixed. Proceed with steps 4 through 6.

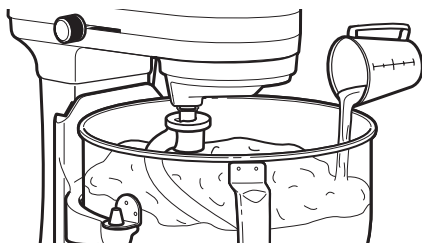


ILLUSTRATION A

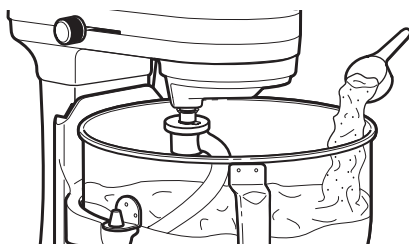


ILLUSTRATION B

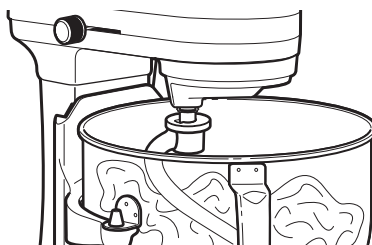


ILLUSTRATION C

Both methods work equally well for bread preparation. However, the “Rapid Mix” method may be a bit faster and easier for new bread bakers. It is slightly more temperature tolerant because the yeast is mixed with dry ingredients rather than with warm liquid.

# Bread Making Tips

---

Making bread with a mixer is quite different from making bread by hand. Therefore, it will take some practice before you are completely comfortable with the new process. For your convenience, we offer these tips to help you become accustomed to bread-making the KitchenAid® brand way.

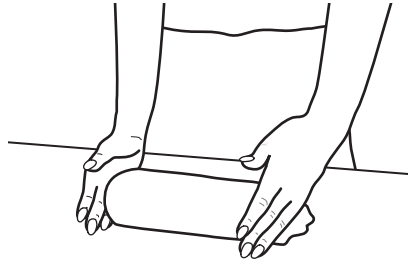
- Start out with an easy recipe, such as the “Basic White Bread” recipe, until you are familiar with using the PowerKnead™ Spiral Dough Hook.
- Always use the PowerKnead™ Spiral Dough Hook to mix and knead yeast doughs.
- Use speed 2 to mix or knead yeast dough or fondants. Use of any other speed with heavy doughs may cause mixer to stop rotating to limit mixer damage. This is normal operation. If this occurs, turn the speed selector to off, and then turn back on to a lower speed.
- Do not use recipes calling for more than 16 cups all-purpose flour or 10 cups whole-wheat flour when making dough with a 7 qt mixer.
- Use a candy or other kitchen thermometer to assure that liquids are at temperature specified in the recipe. Liquids at higher temperature can kill yeast, while liquids at lower temperatures will retard yeast growth.
- Warm all ingredients to room temperature to ensure proper rising of dough. If yeast is to be dissolved in bowl, always warm bowl first by rinsing with warm water to avoid cooling of liquids.
- Allow bread to rise in a warm place, 80°F to 85°F, free from draft, unless otherwise specified in recipe.
- Here are some alternative rising methods to use: (1) The bowl containing the dough can be placed on a wire rack over a pan of hot water. (2) The bowl can be placed on the top rack of an unheated oven; put a pan of hot water on the rack below. (3) Turn the oven to 400°F for 1 minute; then turn it off; place the bowl on the center rack of the oven and close the door. Cover bowl with waxed paper, if desired. Always cover with towel to retain warmth in the bowl and protect the dough from drafts.
- Recipe rising times may vary due to temperature and humidity in your kitchen. Dough has doubled in bulk when indentation remains after tips of fingers are pressed lightly and quickly into dough.
- Most bread recipes give a range for the amount of flour to be used. Enough flour has been added when the dough starts to clean sides of bowl. If dough is sticky or humidity is high, slowly add more flour, about 1/2 cup at a time but do not exceed recommended flour capacity. Knead after each addition until flour is completely worked into dough. If too much flour is added, a dry loaf will result.
- When done, yeast breads and rolls should be deep golden brown in color. Other tests for doneness of breads are: Bread pulls away from the sides of pan, and tapping on the top of the loaf produces a hollow sound. Turn loaves and rolls onto racks immediately after baking to avoid sogginess.

## Shaping a Loaf

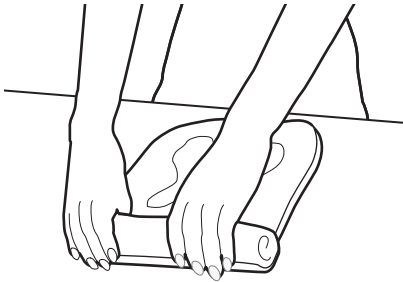
---



1. Divide dough in half. On lightly floured surface, roll each half into a rectangle, approximately 9 x 14". A rolling pin will smooth dough and remove gas bubbles.



3. Pinch ends and turn under. Place, seam side down, in loaf pan. Follow directions in recipe for rising and baking.



2. Starting at a short end, roll dough tightly. Pinch dough to seal seam.

# Basic White Bread

---

- 1/2 cup (120 mL) low-fat milk
- 3 tbs (45 mL) sugar
- 2 tsp (10 mL) salt
- 3 tbs (45 mL) butter or margarine
- 2 packages active dry yeast
- 1-1/2 cups (355 mL) warm water (105°F to 115°F) [40°C to 46° C]
- 5-6 cups (1.2 to 1.5 L) all-purpose flour

Place milk, sugar, salt, and butter in small saucepan. Heat over low heat until butter melts and sugar dissolves. Cool to lukewarm.

Dissolve yeast in warm water in warmed mixer bowl. Add lukewarm milk mixture and 4-1/2 cups (1 L) flour. Attach bowl and dough hook to mixer. Turn to Speed 2 and mix about 1 minute.

Continuing on Speed 2, add remaining flour, 1/2 cup (120 mL) at a time, and mix about 1-1/2 minutes, or until dough starts to clean sides of bowl. Knead on Speed 2 about 2 minutes longer, or until dough is smooth and elastic. Dough will be slightly sticky to the touch.

Place dough in greased bowl, turning to grease top. Cover. Let rise in warm place, free from draft, about 1 hour, or until doubled in bulk.

Punch dough down and divide in half. Shape each half into a loaf, as directed in the "Shaping a Loaf" section, and place in greased 8-1/2 x 4-1/2 x 2-1/2" (21.25 x 11.25 x 6.25 cm) baking pans. Cover. Let rise in warm place, free from draft, about 1 hour, or until doubled in bulk.

Bake at 400°F (200°C) for 30 minutes, or until golden brown. Remove from pans immediately and cool on wire racks.

Yield: 32 servings (16 slices per loaf).

Per serving: About 95 cal, 3 g protein, 18 g carb, 1 g fat, 0 mg chol, 148 mg sodium.

## VARIATION

### Extra Bread for the Freezer

Increase ingredient quantities by 50 percent and prepare in 6 qt (5.7 L) mixer bowl. In second paragraph, change 4-1/2 cups (1 L) flour to 7 cups (1.735 L). Divide dough into 3 pieces.

Yield: 48 servings (16 slices per loaf).

## Whole Grain Wheat Bread

---

- 1/3 cup plus 1 tbs (95 mL) brown sugar
- 2 cups (475 mL) warm water (105°F to 115°F [40°C to 46°C])
- 2 packages active dry yeast
- 5-6 cups (1.2 to 1.5 L) whole-wheat flour
- 3/4 cup (175 mL) powdered milk
- 2 tbs (30 mL) salt
- 1/3 cup (80 mL) oil

Dissolve 1 tbs (15 mL) brown sugar in warm water in small bowl. Add yeast and let mixture stand.

Place 4 cups (945 mL) flour, powdered milk, 1/3 cup (80 mL) brown sugar, and salt in mixer bowl. Attach bowl and dough hook to mixer. Turn to Speed 2 and mix about 15 seconds. Continuing on Speed 2, gradually add yeast mixture and oil to flour mixture and mix about 1-1/2 minutes longer. Stop and scrape bowl, if necessary.

Continuing on Speed 2, add remaining flour, 1/2 cup (120 mL) at a time, and mix about 2 minutes, or until dough starts to clean sides of bowl. Knead on Speed 2 about 2 minutes longer.

**NOTE:** Dough may not form a ball on hook. However, as long as hook comes in contact with dough, kneading will be accomplished. Do not add more than the maximum amount of flour specified or a dry loaf will result.

Place dough in greased bowl, turning to grease top. Cover. Let rise in warm place, free from draft, about 1 hour, or until doubled in bulk.

Punch dough down and divide in half. Shape each half into a loaf as directed in the "Shaping a Loaf" section. Place in greased 8-1/2 x 4-1/2 x 2-1/2" (21.25 x 11.25 x 6.25 cm) baking pan. Cover. Let rise in warm place, free from draft, about 1 hour, or until doubled in bulk.

Bake at 400°F (200°C) for 15 minutes. Reduce oven temperature to 350°F (180°C) and bake 20 to 30 minutes longer. Remove from pans immediately and cool on wire racks.

Yield: 32 servings (16 slices per loaf).

Per serving: About 112 cal, 4 g protein, 19 g carb, 3 g fat, 2 mg chol, 146 mg sodium.



## French Bread

---

- 2 packages active dry yeast
- 2-1/2 cups (590 mL) warm water (105°F to 115°F [40°C to 46°C])
- 1 tbs (15 mL) salt
- 1 tbs (15 mL) butter or margarine, melted
- 7 cups (1.75 L) all-purpose flour
- 2 tsp (10 mL) cornmeal
- 1 egg white
- 1 tbs (15 mL) cold water

Dissolve yeast in warm water in warmed mixer bowl. Add salt, butter, and flour. Attach bowl and dough hook to mixer. Turn to Speed 2 and mix about 1 minute, or until well blended. Knead on Speed 2 about 2 minutes longer. Dough will be sticky.

Place dough in greased bowl, turning to grease top. Cover. Let rise in warm place, free from draft, about 1 hour, or until doubled in bulk.

Punch dough down and divide in half. Roll each half into 12 x 15" (30 x 37.5 cm) rectangle. Roll dough tightly, from longest side, tapering ends if desired. Place loaves on greased baking sheets that have been dusted with cornmeal. Cover. Let rise in warm place, free from draft, about 1 hour, or until doubled in bulk.

With sharp knife, make 4 diagonal cuts on top of each loaf. Bake at 450°F (230°C) for 25 minutes. Remove from oven. Beat egg white and water together with a fork. Brush each loaf with egg mixture. Return to oven and bake 5 to 10 minutes longer. Remove from baking sheets immediately and cool on wire racks.

Yield: 30 servings (15 slices per loaf).

Per serving: About 114 cal, 3 g protein, 23 g carb, 1 g fat, 0 mg chol, 221 mg sodium.

# Honey Oatmeal Bread

---

<i>1-1/2 cups (355 mL) water</i>	Place water, honey, and butter in small saucepan.
<i>1/2 cup (120 mL) honey</i>	Heat over low heat until mixture is very warm (120°F to 130°F [49°C to 54°C]).
<i>1/3 cup (80 mL) butter or margarine</i>	First place oats, then 5 cups (1.2 L) flour, salt, and yeast in mixer bowl. Attach bowl and dough hook to mixer. Turn to Speed 2 and mix about 15 seconds. Continuing on Speed 2, gradually add warm mixture to flour mixture and mix about 1 minute. Add eggs and mix about 1 minute longer.
<i>5-1/2 - 6-1/2 cups (1.32 to 1.62 L) all-purpose flour</i>	Continuing on Speed 2, add remaining flour, 1/2 cup (120 mL) at a time, and mix about 2 minutes, or until dough starts to clean sides of bowl. Knead on Speed 2 about 2 minutes longer.
<i>1 cup (235 mL) quick cooking oats</i>	Place dough in greased bowl, turning to grease top. Cover. Let rise in warm place, free from draft, about 1 hour, or until doubled in bulk.
<i>2 tsp (10 mL) salt</i>	Punch dough down and divide in half. Shape each half into a loaf as directed in the "Shaping a Loaf" section. Place in greased 8-1/2 x 4-1/2 x 2-1/2" (21.25 x 11.25 x 6.25 cm) baking pans. Cover. Let rise in warm place, free from draft, about 1 hour, or until doubled in bulk.
<i>2 packages active dry yeast</i>	Beat egg white and water together with a fork. Brush tops of loaves with mixture. Sprinkle with oatmeal. Bake at 375°F (190°C) for 30 to 40 minutes. Remove from pans immediately and cool on wire racks.
<i>2 eggs</i>	Yield: 32 servings (16 slices per loaf).
<i>1 egg white</i>	Per serving: About 134 cal, 4 g protein, 24 g carb, 3 g fat, 13 mg chol, 162 mg sodium.
<i>1 tbs (15 mL) water</i>	
<i>Oatmeal</i>	

# Crusty Pizza Dough

---

- 1 package active dry yeast
- 1 cup (235 mL) warm water (105°F to 115°F [40°C to 46°C])
- 1/2 tsp (2 mL) salt
- 2 tsp (10 mL) olive oil
- 2-1/2 - 3-1/2 cups (590-830 mL) all-purpose flour
- 1 tbs (15 mL) cornmeal

Dissolve yeast in warm water in warmed mixer bowl. Add salt, olive oil, and 2-1/2 cups (590 mL) flour. Attach bowl and dough hook to mixer. Turn to Speed 2 and mix about 1 minute.

Continuing on Speed 2, add remaining flour, 1/2 cup (120 mL) at a time, and mix about 1-1/2 minutes, or until dough starts to clean sides of bowl. Knead on Speed 2 about 2 minutes longer.

Place dough in greased bowl, turning to grease top. Cover. Let rise in warm place, free from draft, about 1 hour, or until doubled in bulk. Punch dough down.

Brush 14" (35 cm) pizza pan with oil. Sprinkle with cornmeal. Press dough across bottom of pan, forming a collar around edge to hold toppings. Add toppings, as desired. Bake at 450°F (230°C) for 15 to 20 minutes.

Yield: 4 servings (1/4 pizza per serving).

Per serving: About 373 cal, 11 g protein, 74 g carb, 3 g fat, 0 mg chol, 271 mg sodium.

## VARIATION

### Pizza for a Crowd

Double the ingredients and prepare in the 7 qt (6.6 L) mixer bowl.

Yield: 8 servings (1/4 pizza per serving).

# Basic Sweet Dough

---

- 3/4 cup (175 mL)  
low-fat milk*
- 1/2 cup (120 mL) sugar*
- 1-1/4 tsp (6 ml) salt*
- 1/2 cup (120 mL) butter  
or margarine*
- 2 packages active dry  
yeast*
- 1/3 cup (80 mL)  
warm water  
(105°F to 115°F  
[40° C to 46°C])*
- 3 eggs, room  
temperature*
- 5-1/2 -6-1/2 cups  
(1.32-1.62 mL)  
all-purpose flour*
- Place milk, sugar, salt, and butter in small saucepan. Heat over low heat until butter melts and sugar dissolves. Cool to lukewarm.
- Dissolve yeast in warm water in warmed mixer bowl. Add lukewarm milk mixture, eggs, and 5 cups (1.2 L) flour. Attach bowl and PowerKnead™ Spiral Dough Hook to mixer. Turn to Speed 2 and mix about 2 minutes.
- Continuing on Speed 2, add remaining flour, 1/2 cup (120 mL) at a time, and mix about 1-1/2 minutes, or until dough starts to clean sides of bowl. Knead on Speed 2 about 2 minutes longer.
- Place dough in greased bowl, turning to grease top. Cover. Let rise in warm place, free from draft, about 1 hour, or until doubled in bulk.
- Punch dough down and shape as desired for rolls or coffee cakes.

## VARIATION

### Basic Sweet Dough for a Crowd

Double all ingredients and prepare in 7 qt (6.6 L) mixer bowl. In first paragraph, change small sauce pan to medium sauce pan. In second paragraph, change 5 cups (1.2 L) flour to 10 cups (2.4 L) flour.

# Cinnamon Swirl Rounds

---

- 1 cup (235 mL) firmly packed brown sugar  
1 cup (235 mL) sugar  
1/2 cup (120 mL) butter or margarine, softened  
1/4 cup (60 mL) all-purpose flour  
1-1/2 tbs (22 mL) cinnamon  
1/2 cup (120 mL) chopped walnuts or pecans  
1 recipe Basic Sweet dough (see the "Basic Sweet Dough" recipe)
- Place brown sugar, sugar, butter, flour, cinnamon, and walnuts in mixer bowl. Attach bowl and flat beater to mixer. Turn to Speed 2 and mix about 1 minute.
- Turn dough onto lightly floured surface. Roll dough to 10 x 24" (25 x 60 cm) rectangle. Spread sugar-cinnamon mixture evenly on dough. Roll dough tightly from long side to form 24" (60 cm) roll, pinching seam together. Cut into 24 slices, 1" (2.5 cm) each.
- Place 12 rolls each in two greased 13 x 9 x 2" (32.5 x 22.5 x 5 cm) baking pans. Cover. Let rise in warm place, free from draft, 45 to 60 minutes, or until doubled in bulk.
- Bake at 350°F (180°F) for 20 to 25 minutes. Remove from pans immediately. Spoon **Caramel Glaze** over warm rolls.

## Caramel Glaze

- 1/3 cup (80 mL) evaporated milk  
2 tbs (30 mL) brown sugar  
1-1/2 cups (355 mL) powdered sugar  
1 tsp (5 mL) vanilla
- Place evaporated milk and brown sugar in small saucepan. Cook over medium heat until mixture begins to boil, stirring constantly.
- Place milk mixture, powdered sugar, and vanilla in mixer bowl. Attach bowl and flat beater to mixer. Turn to Speed 4 and beat about 2 minutes, or until creamy.
- Yield: 24 servings (1 roll per serving)
- Per serving: About 338 cal, 6 g protein, 57 g carb, 10 g fat, 28 mg chol, 219 mg sodium.

## Multifunction Attachment Pack

---



### Model FPPA

Three popular KitchenAid® attachments have been packaged in one carton. It includes a Rotor Slicer/Shredder (RVSA), Food Grinder (FGA), and Fruit/Vegetable Strainer Parts (FVSP).

## Food Grinder

---



### Model FGA

Grinds meat, firm fruits and vegetables, and dry bread.

## Fruit/Vegetable Strainer

---



### Model FVSFGA

Makes preparing jams, purées, sauces, and baby foods quick and easy. Comes with Food Grinder.



## Food Tray

---



**Model FT**

Holds large quantities of food for quicker and easier juicing, puréeing, and grinding. For use with FGA.

## Sausage Stuffer

---



**Model SSA**

3/8" and 5/8" stuffing tubes make Bratwurst, Kielbasa, Italian, or Polish Sausage and breakfast links. For use with FGA.

## Rotor Slicer/Shredder

---



**Model RVSA**

Includes 4 cones: thin and thick slicer, fine and coarse shredder.

## Grain Mill

---



### Model KGMA

Grinds low-moisture grains from very fine to extra coarse textures.

## Pasta Roller Set

---



### Model KPRA

Makes lasagna noodles, fettuccini, and linguine fini. 3 piece set includes Roller, Fettuccine Cutter, and Linguine Fini Cutter.

## Citrus Juicer

---



**Model JE**

Juices citrus fruits quickly and thoroughly, strains out pulp.

## Pouring Shield

---



**Model KN2PS**

(fits all 7-qt wide bowl-lift models)  
Minimizes splash-out when adding ingredients.

## Garantie de 2 ans satisfaction totale

---



Nous sommes tellement certains que la qualité de nos produits satisfait aux normes exigeantes de KitchenAid que, si votre mélangeur sur socle cesse de fonctionner au cours des deux années suivant son acquisition, KitchenAid livrera gratuitement à votre porte un appareil de remplacement identique ou comparable et prendra en charge le renvoi du mélangeur « défectueux ». L'appareil de remplacement sera également couvert par notre garantie complète de deux ans. Veuillez suivre ces instructions pour bénéficier de ce service de qualité.

**Si vous résidez dans les 50 États des États-Unis** et que votre mélangeur sur socle KitchenAid® cesse de fonctionner au cours des deux années suivant son acquisition, il suffit d'appeler le numéro sans frais 855-845-9684 du Centre de satisfaction de la clientèle du lundi au vendredi, de 8 h à 20 h. Veuillez fournir votre adresse de livraison complète au représentant.

À réception du mélangeur sur socle de remplacement, utilisez le carton et les matériaux d'emballage pour emballer le mélangeur « défectueux ». Veuillez inscrire vos nom, adresse, et numéro de téléphone sur une feuille de papier et l'insérer dans le carton avec une copie de votre preuve d'achat (reçu de caisse, facture de règlement par carte de crédit, etc.).

Pour une explication détaillée des termes et conditions de la garantie, y compris la procédure à suivre pour obtenir un dépannage à l'extérieur des États-Unis, consultez les pages 5 et 6.

## Preuve d'achat

---

Conservez toujours une copie de la facture indiquant la date d'achat de votre batteur sur socle. La preuve d'achat vous assurera un service sous garantie.

Avant d'utiliser votre batteur sur socle, veuillez remplir et postez votre carte d'enregistrement de produit fournie avec l'unité.

Cette carte nous permet de vous contacter dans le cas fort peu probable d'une notification de sécurité du produit et nous aidera à nous conformer aux provisions de la loi américaine sur la sécurité du produit au consommateur. Cette carte ne vérifie pas votre garantie.

Veuillez remplir ce qui suit pour vos dossiers :

Numéro de modèle \_\_\_\_\_

Numéro de série \_\_\_\_\_

Date d'achat \_\_\_\_\_

Nom du magasin et emplacement \_\_\_\_\_

# Table des matières

---

Garantie de 2 ans satisfaction totale .....	32
Preuve d'achat et enregistrement du produit.....	32
Sécurité de Mélangeur sur socle.....	34
Consignes de Sécurité Importantes .....	34
Garantie .....	35
Pour les 50 États des États-Unis, district fédéral de Columbia, et le Porto Rico.....	35
Obtenir une réparation hors garantie.....	36
Obtenir un service de dépannage hors des 50 États des États-Unis et de Porto Rico .....	36
Commander des accessoires et des pièces de rechange .....	36
Spécifications électriques .....	37
Dépannage.....	37
<b>Au Sujet de Votre Mélangeur</b>	
Caractéristiques du mélangeur lève-bol sur socle.....	38
Assemblage du mélangeur lève-bol.....	39
Utilisation du verseur anti-éclaboussures .....	40
Utilisation des accessoires KitchenAid®.....	41
Purée de mélange .....	41
Utilisation de mélangeur .....	41
Soin et nettoyage.....	42
Dégagement entre le batteur plat et le bol .....	42
Guide de réglage de la vitesse – Mélangeurs sur socle à 10 vitesses.....	43
Conseils de préparation.....	44
Blancs d'œufs .....	45
Crème fouettée .....	45
Accessoires .....	46
Instructions générales .....	47
Instructions générales pour mélanger et pétrir la pâte à levain avec la méthode de mélange rapide.....	48
Recettes.....	51
Accessoires KitchenAid® .....	58

# Sécurité de Mélangeur sur Socle

## **Votre sécurité et celle des autres est très importante.**

Nous donnons de nombreux messages de sécurité importants dans ce manuel et sur votre appareil ménager. Assurez-vous de toujours lire tous les messages de sécurité et de vous y conformer.



Voici le symbole d'alerte de sécurité.

Ce symbole d'alerte de sécurité vous signale les dangers potentiels de décès et de blessures graves à vous et à d'autres.

Tous les messages de sécurité suivront le symbole d'alerte de sécurité et le mot "DANGER" ou "AVERTISSEMENT".

Ces mots signifient :

**▲ DANGER**

**Risque possible de décès ou de blessure grave si vous ne suivez pas immédiatement les instructions.**

**▲ AVERTISSEMENT**

**Risque possible de décès ou de blessure grave si vous ne suivez pas les instructions.**

Tous les messages de sécurité vous diront quel est le danger potentiel et vous disent comment réduire le risque de blessure et ce qui peut se produire en cas de non-respect des instructions.

## **CONSIGNES DE SÉCURITÉ IMPORTANTES**

Lors de l'utilisation d'appareils électriques, il faut toujours observer certaines précautions élémentaires de sécurité, y compris les suivantes :


1. Lire toutes les instructions.
2. Pour éviter tout risque de choc électrique, ne pas immerger le mélangeur sur socle dans de l'eau ou tout autre liquide.
3. Une surveillance étroite s'impose lorsqu'un appareil ménager est utilisé par des enfants ou à leur proximité.
4. Débrancher le mélangeur sur socle lorsqu'il n'est pas utilisé, avant d'installer ou de retirer des accessoires et avant de le nettoyer.
5. Éviter tout contact avec les pièces en mouvement. Tenir les mains, cheveux, vêtements et les spatules ou autres ustensiles à l'écart du batteur, du crochet ou du fouet lors du fonctionnement afin de réduire le risque de blessures corporelles et (ou) d'endommagement du mélangeur sur socle.
6. Ne pas faire fonctionner le mélangeur sur socle si le cordon ou la prise est endommagé(e), ou si le mélangeur ne fonctionne pas correctement, s'il est tombé ou a été endommagé d'une quelconque façon. Contacter le Centre de satisfaction de la clientèle KitchenAid® au 1-855-845-9684.
7. L'utilisation d'accessoires non recommandés ou non vendus par KitchenAid® peut causer un incendie, un choc électrique ou des blessures.
8. Ne pas utiliser le mélangeur sur socle à l'extérieur.
9. Ne pas laisser le cordon pendre du rebord d'une table ou d'un plan de travail.
10. Retirer le batteur plat, le fouet métallique ou le crochet pétrisseur du mélangeur sur socle avant de les laver.

**CONSERVER CES INSTRUCTIONS**

**CE PRODUIT EST RÉSERVÉ À UN USAGE  
DOMESTIQUE.**

# Garantie du mélangeur sur socle KitchenAid® pour les 50 États des États-Unis, district fédéral de Columbia, et le Porto Rico

La présente garantie couvre l'acheteur et les propriétaires ultérieurs du mélangeur sur socle lorsqu'il est utilisé dans les 50 États des États-Unis, district fédéral de Columbia, et le Porto Rico.

Durée de la garantie :	À votre choix, KitchenAid prendra en charge :	KitchenAid ne prendra pas en charge :
Remboursement garanti pendant 2 ans.	 <p>Le remboursement garanti pendant 2 ans. Voir la deuxième de couverture pour les détails concernant la manière d'obtenir un dépannage, ou appeler le numéro sans frais 1-855-845-9684 du centre de satisfaction de la clientèle.</p> <p>OU</p> <p>Les frais de pièces de rechange et de main-d'œuvre pour corriger les vices de matériaux et de fabrication.</p>	<p>A. Les réparations lorsque le mélangeur sur socle est utilisé à des fins autres que l'usage domestique normal.</p> <p>B. Les dommages causés par accident, altération, mésusage ou abus.</p> <p>C. Les frais des pièces de rechange ou de main d'œuvre pour le mélangeur sur socle lorsqu'il est utilisé à l'extérieur des 50 États des États-Unis, district fédéral de Columbia, et le Porto Rico.</p>

**KITCHENAID DÉCLINE TOUTE RESPONSABILITÉ AU TITRE DES DOMMAGES FORTUITS OU INDIRECTS.** Certains États ne permettent pas l'exclusion ou la limitation des dommages fortuits ou indirects; aussi cette exclusion ou limitation peut ne pas s'appliquer dans votre cas. Cette garantie vous confère des droits juridiques spécifiques et vous pouvez également jouir d'autres droits qui peuvent varier d'un État à l'autre.

## Obtenir une réparation hors garantie

---

Pour obtenir des informations sur le service de dépannage, appeler le numéro sans frais 1-855-845-9684 ou écrire à :

Customer Satisfaction Center,  
KitchenAid Portable Appliances,  
P.O. Box 218, St. Joseph, MI 49085-0218.

## Obtenir un service de dépannage hors des 50 États des États-Unis et de Porto Rico

---

Pour obtenir un service de dépannage, demander la marche à suivre au distributeur local

KitchenAid® ou au détaillant chez qui le mélangeur sur socle a été acheté.

## Commander des accessoires et des pièces de rechange

---

Pour commander des accessoires ou des pièces de rechange pour le mélangeur sur socle, appeler le numéro sans frais 1-855-845-9684 ou écrire à :

Customer Satisfaction Center,  
KitchenAid Portable Appliances,  
P.O. Box 218, St. Joseph, MI 49085-0218.



# Spécifications électriques

Tension : 120 volts CA uniquement.

Fréquence : 60 Hertz.

La puissance nominale du mélangeur sur socle est imprimée sur la plaque signalétique.

Ne pas utiliser de câble de rallonge. Si le cordon d'alimentation électrique est trop court, faire installer une prise près de l'appareil électroménager par un électricien ou un technicien de service qualifié.

La puissance nominale maximum est basée sur l'accessoire qui utilise le plus d'énergie (charge maximale). D'autres accessoires recommandés peuvent utiliser beaucoup moins d'énergie.

## **⚠ AVERTISSEMENT**



### **Risque de choc électrique**

**Brancher sur une prise à 3 alvéoles reliée à la terre.**

**Ne pas enlever la broche de liaison à la terre.**

**Ne pas utiliser un adaptateur.**

**Ne pas utiliser un câble de rallonge.**

**Le non-respect de ces instructions peut causer un décès, un incendie ou un choc électrique.**

## Dépannage

**Veillez lire ce qui suit avant d'appeler le centre de dépannage.**

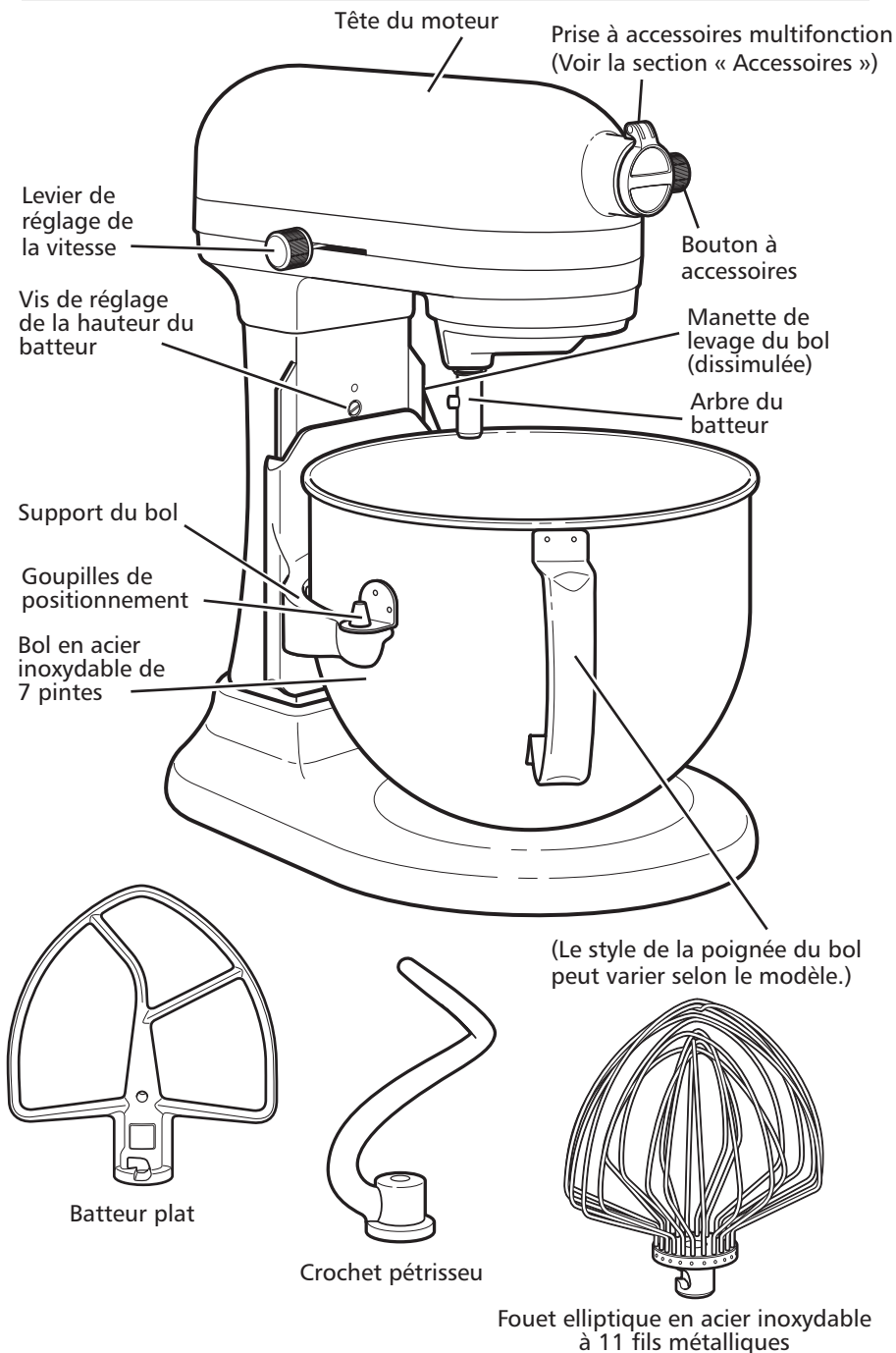
1. Il est possible que le mélangeur sur socle chauffe durant son utilisation. Lorsque l'on mélange des préparations à consistance épaisse pendant une période prolongée, il se peut que le dessus du mélangeur soit chaud au toucher. Ceci est normal.
2. Il est possible que le mélangeur sur socle produise une odeur âcre, surtout lorsqu'il est neuf. Ce phénomène est fréquent avec les moteurs électriques.
3. Si le batteur plat frappe le bol, éteindre le mélangeur sur socle. Voir "Dégagement entre le batteur plat et le bol" .

Conserver une copie du reçu de vente indiquant la date d'achat de l'appareil. La preuve d'achat vous garantit le bénéfice du service après-vente.

**Si le mélangeur sur socle fonctionne mal ou pas du tout, vérifier les points suivants :**

- Le mélangeur sur socle est-il branché?
- Le fusible du circuit alimentant le mélangeur sur socle est-il en bon état? Si l'on possède un disjoncteur, s'assurer que le circuit est fermé.
- Éteindre le mélangeur sur socle pendant 10 à 15 secondes, puis le rallumer. Si le mélangeur ne se remet pas en route, le laisser refroidir pendant 30 minutes avant de le refaire fonctionner.
- Si le problème n'est pas attribuable à l'une des raisons indiquées ci-dessus, voir la section « Obtenir un service de dépannage ».
- Ne pas retourner le mélangeur sur socle au détaillant, car celui-ci n'assure aucun service après-vente.

# Caractéristiques du mélangeur lève-bol sur socle



# Assemblage du mélangeur lève-bol

## **! AVERTISSEMENT**



### **Risque de choc électrique**

**Brancher sur une prise à 3 alvéoles reliée à la terre.**

**Ne pas enlever la broche de liaison à la terre.**

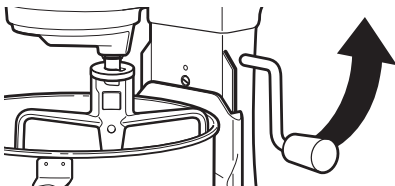
**Ne pas utiliser un adaptateur.**

**Ne pas utiliser un câble de rallonge.**

**Le non-respect de ces instructions peut causer un décès, un incendie ou un choc électrique.**

### **Pour fixer le bol**

1. S'assurer que le levier de réglage de vitesse est placé sur OFF (arrêt) et que le mélangeur sur socle est débranché.
2. Abaisser la manette de levage du bol.
3. Placer les supports du bol sur les goupilles de positionnement.
4. Appuyer sur l'arrière du bol jusqu'à ce que sa goupille s'emboîte dans le loquet à ressort.
5. Soulever le bol avant de procéder au mélange.
6. Brancher l'appareil sur une prise à 3 alvéoles reliée à la terre.



### **Pour élever le bol**

1. Faire pivoter la manette pour la placer en position verticale.
2. Le bol doit toujours être verrouillé en position élevée lors du mélange.

### **Pour abaisser le bol**

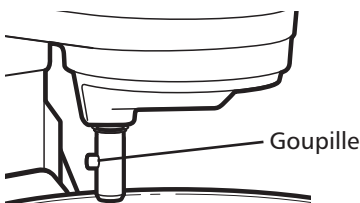
1. Faire pivoter la manette vers l'arrière, puis vers le bas.

### **Pour retirer le bol**

1. S'assurer que le levier de réglage de vitesse est placé sur OFF (arrêt) et que le mélangeur sur socle est débranché.
2. Abaisser la manette de levage du bol.
3. Retirer le batteur plat, le fouet métallique ou le crochet pétrisseur.
4. Saisir le bol par sa poignée et le soulever tout droit pour le dégager des goupilles de positionnement.

### **Pour fixer le batteur plat, le fouet métallique ou le crochet pétrisseur PowerKnead™**

1. Faire glisser le levier de réglage de vitesse sur OFF (arrêt) et débrancher l'appareil.
2. Insérer le batteur plat sur l'arbre du batteur.



3. Tourner le batteur vers la droite pour l'accrocher sur la goupille de l'arbre.
4. Brancher l'appareil sur une prise à 3 alvéoles reliée à la terre.

# Assemblage du mélangeur lève-bol

**Pour retirer le batteur plat, le fouet métallique ou le crochet pétrisseur PowerKnead™**

1. Faire glisser le levier de réglage de vitesse sur OFF (arrêt) et débrancher l'appareil.
2. Soulever le batteur et le tourner vers la gauche.
3. Retirer le batteur de l'arbre du batteur.

**Mélangeur sur socle pour usage domestique Levier de réglage de vitesse de mélangeur sur socle pour usage domestique.**



Brancher l'appareil sur une prise à 3 alvéoles reliée à la terre. Le levier de réglage de vitesse doit toujours se trouver à la vitesse la plus faible pour commencer. La vitesse peut ensuite être graduellement augmentée afin d'éviter que les ingrédients n'éclaboussent en dehors du bol. Voir la section « Guide de réglage de la vitesse ».

## Utilisation du verseur anti-éclaboussures\*

**Fixation du verseur anti-éclaboussures**

1. S'assurer que le levier de réglage de vitesse est en position OFF/0.
2. Débrancher le mélangeur sur socle.
3. Insérer l'accessoire voulu et relever le bol.
4. Glisser la collerette du verseur anti-éclaboussures autour de l'arbre du mélangeur, en la centrant sur le rebord du bol.

**Utilisation du verseur anti-éclaboussures\***

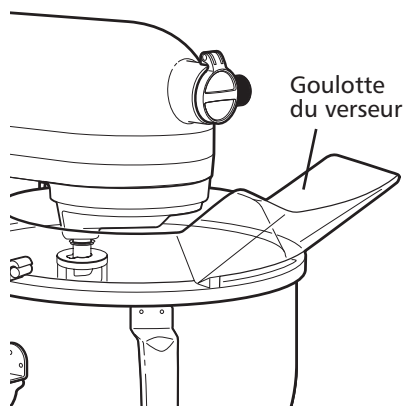
Verser les ingrédients dans le bol de mélange par la goulotte du verseur anti-éclaboussures.

**IMPORTANT :** S'assurer que les repères situés à la base de la goulotte reposent sur le rebord du bol pour éviter que les ingrédients tombent du bol lorsqu'on les y verse.

\*Inclus avec quelques modèles

**Nettoyage du verseur anti-éclaboussures**

Laver à l'eau tiède savonneuse. Si désiré, le placer dans le panier supérieur de votre lave-vaisselle.



**Retrait du verseur anti-éclaboussures**

1. S'assurer que le levier de réglage de vitesse est en position OFF/0.
2. Débrancher le batteur sur socle.
3. Dégager la collerette du verseur anti-éclaboussures pour la faire glisser hors du bol.
4. Abaisser le support du bol en tournant la manette de levage du bol vers le bas.
5. Retirer l'accessoire et le bol.

# Utilisation des accessoires KitchenAid®

---

Batteur plat pour les préparations de consistance normale à épaisse :

gâteaux	biscuits
glaçages crémeux	pains éclairs
confiseries	pains de viande
biscuits	pommes de terre en purée
pâtes à tarte	pâtisserie

Fouet métallique pour les préparations dans lesquelles de l'air doit être incorporé :

œufs	gâteaux éponge
blancs d'œufs	gâteaux des anges
crème épaisse	mayonnaise
glaçages cuits	certaines confiseries

Crochet pétrisseur PowerKnead™ pour mélanger et pétrir des pâtes au levain :

pain	brioches
petits pains	petits pains sucrés
pâte à pizza	

## Durée de mélange

---

Votre mélangeur sur socle KitchenAid® mélangera plus vite et plus efficacement que la plupart des mélangeurs sur socle électriques. La durée du mélange doit donc être ajustée pour la plupart des recettes

afin d'éviter de battre la préparation trop longtemps. Pour les gâteaux, par exemple, la durée de mélange peut être deux fois moins longue qu'avec des mélangeurs sur socle traditionnels.

## Utilisation du mélangeur

---

### **AVERTISSEMENT**

#### **Risque de blessure**

**Débrancher le batteur avant de toucher aux fouets.**

**Le non-respect de cette instruction peut entraîner des fractures d'os, des coupures ou des bleus.**

**REMARQUE :** Ne pas racler les parois du bol pendant le fonctionnement du mélangeur sur socle.

Le bol et le batteur plat sont conçus pour permettre un mélange plus efficace sans avoir à racler fréquemment les parois du bol. Il n'est généralement pas nécessaire de racler les parois du bol plus d'une à deux fois pendant le mélange. Éteindre le mélangeur sur socle avant d'en racler les parois. Il est possible que le mélangeur sur socle chauffe durant son utilisation. Lorsque l'on mélange des préparations à consistance épaisse pendant une période prolongée, il se peut que le dessus du mélangeur sur socle soit chaud au toucher. Ceci est normal.

## Entretien et nettoyage

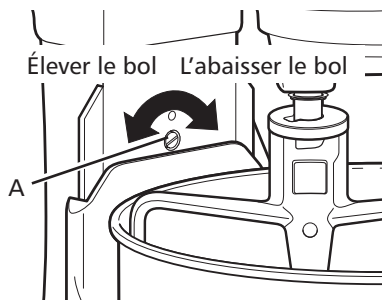
Le bol, le batteur métallique plat lisse, le fouet métallique en acier inoxydable et le crochet pétrisseur lisse en spirale sont lavables au lave-vaisselle. On peut aussi les laver soigneusement à l'eau chaude savonneuse et les rincer complètement avant de les sécher. Ne pas entreposer les batteurs en les laissant sur l'arbre.

**REMARQUE :** Veiller à toujours débrancher le batteur sur socle avant le nettoyage. Essuyer le batteur sur socle avec un linge doux et humide. Ne pas utiliser de nettoyants à usage domestique ou commercial. Ne pas immerger dans l'eau. Essuyer l'arbre du batteur fréquemment pour éliminer tous les résidus qui pourraient s'y accumuler.

## Dégagement entre le batteur plat et le bol

Votre mélangeur sur socle a subi un ajustement en usine afin qu'il y ait un léger dégagement entre le batteur plat et le fond du bol. Le dégagement peut être facilement rectifié si, pour une raison quelconque, le batteur plat frappe le fond du bol ou s'il est trop loin du bol.

1. Débrancher le mélangeur sur socle.
2. Abaisser la manette de levage du bol.
3. Fixer le batteur plat.
4. Pour obtenir un léger dégagement entre le batteur plat et le fond du bol lorsque celui-ci est soulevé, tourner la vis (A) dans le sens antihoraire pour élever le bol et dans le sens horaire pour l'abaisser. Une légère rotation suffit : la vis ne tournera pas plus d'un quart de tour (90 degrés) dans une direction ou dans l'autre. (La portée totale de l'ajustement est d'un demi-tour, soit 180 degrés).
5. Soulever la manette de levage du bol pour vérifier le dégagement.
6. Répéter les étapes 4 et 5 au besoin.



**REMARQUE :** Lorsqu'il est correctement ajusté, le batteur plat ne frappe ni le fond, ni les parois du bol. Si le batteur plat ou le fouet métallique est trop proche du fond du bol et qu'il le touche, le revêtement du batteur ou des fils métalliques pourrait être endommagé.

# Guide de réglage de la vitesse – Mélangeurs sur socle à 10 vitesses

Toutes les vitesses disposent de la fonction Soft Start® qui déclenche automatiquement le démarrage progressif à basse vitesse du mélangeur avant de passer à la vitesse sélectionnée pour un résultat optimal, afin de minimiser les éclaboussures et les « nuages de farine » au début du mélange.

Nombre de vitesses

Vitesse de mélange	REMUER	Pour remuer lentement, lier, écraser les ingrédients et commencer toutes les procédures de mélange. Utiliser cette vitesse pour incorporer la farine et les ingrédients secs à une pâte et pour incorporer des liquides à des ingrédients secs. Ne pas utiliser la vitesse REMUER pour mélanger ou pétrir les pâtes à base de levure.
2	MÉLANGER LENTEMENT	Pour mélanger lentement, écraser et remuer plus rapidement. Utiliser cette vitesse pour mélanger et pétrir les pâtes à base de levure, les pâtes épaisses et les confiseries; pour commencer à réduire en purée les pommes de terre ou autres légumes; pour sabler le shortening avec la farine; pour mélanger les pâtes légères ou celles susceptibles de produire des éclaboussures.
4	MÉLANGER, BATTRE	Pour mélanger les pâtes semi-épaisses comme celles à biscuits. Utiliser cette vitesse pour travailler le sucre et le shortening ainsi que pour incorporer le sucre aux blancs d'œufs pour les meringues. Vitesse moyenne utilisée pour les préparations à gâteaux du commerce. À utiliser avec : le hachoir, la trancheuse/râpeuse rotative, la machine à pâtes et l'égouttoir à fruits/légumes.
6	BATTRE, FOUETTER	Pour battre à vitesse moyenne à élevée (pour réduire en crème) et pour fouetter. Utiliser cette vitesse pour finir de mélanger les pâtes à gâteaux, à beignets et autres types de pâtes. Vitesse élevée utilisée pour les préparations à gâteaux du commerce. À utiliser avec le presse-agrumes.
8	BATTRE RAPIDEMENT, FOUETTER	Pour fouetter la crème, les blancs d'œufs et les glaçages cuits.
10	FOUETTER RAPIDEMENT	Utiliser cette vitesse pour fouetter de petites quantités de crème ou de blancs d'œufs et pour le fouettage final de la purée de pommes de terre. Utiliser avec la machine à pâtes et le moulin principal inclus comme accessoires. <b>REMARQUE</b> : La vitesse rapide ne sera pas maintenue avec des préparations à consistance épaisse telles que celles pour lesquelles on utilise la machine à pâtes ou le moulin principal.

**REMARQUE** : Utiliser la vitesse 2 pour mélanger ou pétrir les pâtes à base de levain. L'utilisation de toute autre vitesse entraîne un potentiel élevé de défaillance de l'appareil. Le crochet pétrisseur PowerKnead™ pétrit efficacement la plupart des pâtes au levain en 4 minutes maximum.

## Conseils de préparation

---

### Adapter vos recettes au mélangeur

Les instructions sur les recettes figurant dans ce livre peuvent vous aider à adapter la préparation de vos recettes préférées à l'utilisation du mélangeur sur socle KitchenAid®. Cherchez des recettes semblables aux vôtres, puis adaptez vos recettes pour pouvoir suivre les instructions des recettes KitchenAid® similaires.

Par exemple, la méthode de « mélange rapide » (selon laquelle on verse tous les ingrédients dans le bol en une seule fois) est idéale pour préparer des gâteaux simples tels que les gâteaux jaune et blanc indiqués dans ce livre. Cette méthode consiste à incorporer en une seule étape les ingrédients secs à une partie ou à la totalité des ingrédients liquides.

Les gâteaux plus élaborés, tel qu'un gâteau à la banane avec glaçage au caramel et aux noix, doivent être préparés selon la méthode traditionnelle. Cette méthode consiste à travailler en crème homogène le sucre et le shortening, le beurre ou la margarine, avant d'ajouter les autres ingrédients.

Pour tous les gâteaux, la durée du mélange peut varier car votre mélangeur sur socle KitchenAid® fonctionne plus rapidement que les autres mélangeurs. En général, la préparation d'un gâteau avec le mélangeur sur socle KitchenAid® prendra la moitié du temps requis dans la plupart des recettes.

Pour déterminer la durée idéale de mélange, observer la pâte et mélanger jusqu'à l'obtention de la consistance désirée décrite dans votre recette, par exemple « lisse et crémeuse ».

Pour sélectionner les meilleures vitesses de mélange, consulter la section « Guide de réglage de la vitesse ».

### Ajout d'ingrédients

Toujours ajouter les ingrédients aussi près que possible des parois du bol et non pas directement dans la zone du batteur, du crochet ou du fouet en mouvement. Le verseur anti-éclaboussures peut être utilisé pour simplifier l'ajout d'ingrédients.

**REMARQUE :** Si les ingrédients qui se trouvent dans le fond du bol ne sont pas parfaitement mélangés, cela signifie que le batteur n'est pas suffisamment près du fond du bol. Consulter la section « Dégagement entre le batteur plat et le bol ».

### Préparation à gâteaux du commerce

Pour utiliser des préparations à gâteaux du commerce, utiliser la vitesse 2 comme vitesse basse, la vitesse 4 comme vitesse moyenne et la vitesse 6 comme vitesse élevée. Pour obtenir de meilleurs résultats, mélanger la pâte selon la durée indiquée sur l'emballage.

### Ajout de noix, de raisins secs ou de fruits confits

Suivre les instructions relatives à ces ingrédients pour chaque recette. En général, les matières solides doivent être incorporées au cours des dernières secondes de mélange à vitesse REMUER. La pâte doit être suffisamment épaisse pour éviter que les fruits ou les noix ne tombent au fond du moule durant la cuisson. Les fruits collants doivent être saupoudrés de farine pour une meilleure répartition dans la pâte.

### Mélanges liquides

Les mélanges comportant de grandes quantités d'ingrédients liquides doivent être mélangés à basse vitesse pour éviter les éclaboussures. N'augmenter la vitesse qu'une fois que le mélange a épaissi.



## Blancs d'œufs

Placer les blancs d'œufs à température ambiante dans le bol propre et sec. Installer le bol et le fouet métallique. Pour éviter les éclaboussures, augmenter graduellement la vitesse jusqu'à celle indiquée et fouetter jusqu'à la consistance voulue. Consulter le tableau ci-dessous.

QUANTITÉ	VITESSE
1 blanc d'œuf.....	GRADUELLEMENT jusqu'à 10
2-4 blancs d'œufs.....	GRADUELLEMENT jusqu'à 8
6 blancs d'œufs ou plus.....	GRADUELLEMENT jusqu'à 8

### Étapes du fouettage

Avec votre mélangeur sur socle KitchenAid®, les blancs d'œufs montent rapidement en neige. Attention donc de ne pas trop fouetter. La liste suivante vous indique les étapes de fouettage :

#### Mousseux

Grosses bulles d'air inégales.

#### Commence à garder sa forme

Les bulles d'air sont fines et compactes; le produit est blanc.

#### Pics mous

Les bouts des pics tombent lorsqu'on retire le fouet métallique.

#### Presque ferme

Les pics se forment lorsqu'on retire le fouet métallique, mais les blancs sont en fait mous.

#### Pics fermes, mais pas secs

Des pics fermes et pointus se forment lorsqu'on retire le fouet métallique. Les blancs ont une couleur uniforme et brillent.

#### Pics fermes et secs

Des pics fermes et pointus se forment lorsqu'on retire le fouet métallique. Les blancs sont tachetés et d'apparence terne.

## Crème fouettée

Verser la crème fouettée froide dans un bol refroidi. Installer le bol et le fouet métallique. Pour éviter les éclaboussures, augmenter graduellement la vitesse jusqu'à celle indiquée et fouetter jusqu'à la consistance voulue. Consulter le tableau ci-dessous :

QUANTITÉ	VITESSE
1/4 tasse (50 mL) .....	GRADUELLEMENT jusqu'à 10
1/2 tasse (125 mL) .....	GRADUELLEMENT jusqu'à 10
1 tasse (250 mL) .....	GRADUELLEMENT jusqu'à 8
1 pinte (500 mL) .....	GRADUELLEMENT jusqu'à 8

### Étapes du fouettage

Surveillez attentivement la crème durant le fouettage. Parce que votre mélangeur sur socle KitchenAid® fouette si rapidement, il n'y a que quelques secondes entre les étapes du fouettage. Rechercher ces caractéristiques :

#### Commence à épaissir

La crème est épaisse et ressemble à une crème anglaise.

#### Garde sa forme

La crème forme des pics mous lorsqu'on retire le fouet métallique. Peut être incorporée à d'autres ingrédients pour la préparation de desserts et de sauces.

#### Ferme

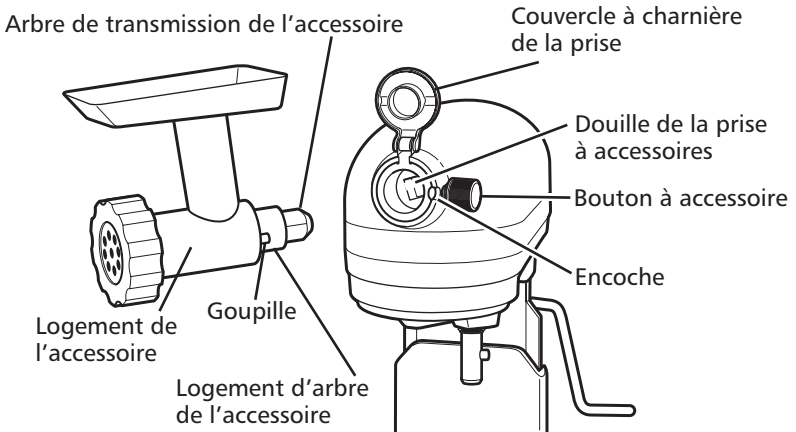
La crème forme des pics fermes et pointus lorsqu'on retire le fouet métallique. Utiliser pour garnir les gâteaux ou les desserts ou pour remplir les choux à la crème.

# Accessoires

## Renseignements généraux

Les accessoires KitchenAid® sont conçus pour une grande durabilité. L'arbre de transmission accessoires et la douille de la prise à accessoires sont de forme carrée afin d'éviter tout glissement durant la transmission de puissance à l'accessoire. La prise et le logement de l'arbre sont biseautés pour que les deux éléments soient bien fixés l'un contre l'autre, même après une utilisation et une usure prolongées. Les accessoires KitchenAid® ne nécessitent pas d'alimentation électrique supplémentaire pour fonctionner; le moteur est intégré.

Voir le Guide d'utilisation et d'entretien fourni avec les accessoires du mélangeur sur socle pour les réglages de vitesse et la durée de fonctionnement.



# Instructions générales

## Pour fixer

1. Éteindre le mélangeur et le débrancher.
2. Desserrer le bouton à accessoire en le tournant dans le sens antihoraire.
3. Soulever le couvercle à charnière de la prise.
4. Insérer le logement d'arbre de l'accessoire dans la prise à accessoires, en s'assurant que l'arbre de transmission s'adapte à la douille à accessoires de forme carrée. Il faudra peut-être faire pivoter l'accessoire en l'insérant. Lorsque l'accessoire est en position correcte, la goupille de l'accessoire s'adapte à l'encoche du pourtour de la prise.
5. Serrer le bouton à accessoires jusqu'à ce que l'accessoire soit parfaitement fixé au mélangeur sur socle.
6. Brancher l'appareil sur une prise à 3 alvéoles reliée à la terre.

## Pour retirer

1. Éteindre le mélangeur et le débrancher.
2. Desserrer le bouton à accessoire en le tournant dans le sens antihoraire. Faire pivoter l'accessoire légèrement d'avant en arrière avant de le retirer.
3. Réinstaller le couvercle de la prise à accessoires. Serrer le bouton à accessoire en le tournant dans le sens horaire.

## **⚠ AVERTISSEMENT**



### **Risque de choc électrique**

**Brancher sur une prise à 3 alvéoles reliée à la terre.**

**Ne pas enlever la broche de liaison à la terre.**

**Ne pas utiliser un adaptateur.**

**Ne pas utiliser un câble de rallonge.**

**Le non-respect de ces instructions peut causer un décès, un incendie ou un choc électrique.**

# Instructions générales pour mélanger et pétrir la pâte à levain avec la méthode de mélange rapide

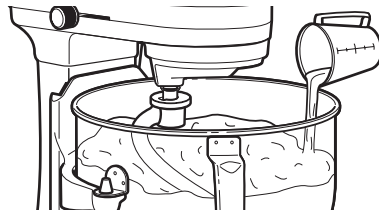
Le « mélange rapide » décrit une méthode de fabrication du pain qui utilise une levure sèche à mélanger aux autres ingrédients secs avant d'ajouter le liquide. Par opposition, la méthode traditionnelle consiste à faire dissoudre la levure dans l'eau tiède.

1. Placer tous les ingrédients secs y compris la levure dans le bol, sauf les 1 à 2 dernières tasses de farine.
2. Installer le bol et le crochet pétrisseur PowerKnead™. Relever le bol du mélangeur. Mettre à la vitesse 2 et mélanger pendant environ 15 secondes ou jusqu'à ce que les ingrédients soient combinés.
3. Continuer à la vitesse 2 et ajouter graduellement les ingrédients liquides au mélange de farine, puis mélanger pendant 1 à 2 minutes de plus. Voir l'illustration A.

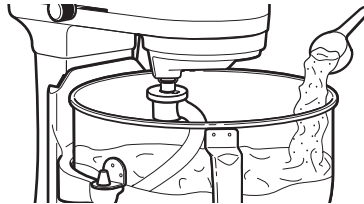
**REMARQUE :** Si les ingrédients liquides sont ajoutés trop rapidement, ils s'accumuleront autour du crochet pétrisseur PowerKnead™ et ralentiront le processus de mélange.

4. Continuer à la vitesse 2 en ajoutant délicatement le reste de la farine, 1/2 tasse à la fois. Voir l'illustration B. Mélanger jusqu'à ce que la pâte commence à se décoller des côtés du bol, soit environ 2 minutes.
5. Pétrir à la vitesse 2 pendant 2 autres minutes de plus ou jusqu'à ce que la pâte soit lisse et élastique. Voir l'illustration C.
6. Abaisser le bol sur le mélangeur puis retirer la pâte du bol et le crochet pétrisseur PowerKnead™. Suivre les directives de la recette pour faire lever la pâte, la former et la faire cuire.

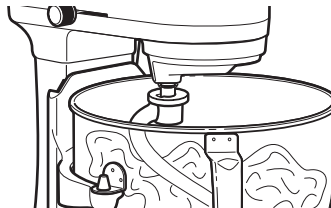
Lors de l'utilisation de la méthode traditionnelle pour préparer une recette préférée, faire dissoudre la levure dans l'eau tiède dans un bol réchauffé. Ajouter les autres ingrédients secs et liquides, sauf les dernières 1 à 2 tasses de farine. Mettre le batteur à la vitesse 2 et mélanger pendant environ 1 minute ou jusqu'à ce que les ingrédients soient bien mélangés. Passer aux étapes 4 à 6.



L'ILLUSTRATION A



L'ILLUSTRATION B



L'ILLUSTRATION C

Les deux méthodes se valent pour la préparation du pain. Cependant, la méthode de « mélange rapide » pourrait être un peu plus rapide et facile pour ceux qui commencent à faire du pain. Elle est un peu moins sensible aux températures car la levure est mélangée aux ingrédients secs plutôt qu'au liquide chaud.

# Conseils pour, la preparation du pain

---

La confection du pain avec le mélangeur est assez différente de la confection du pain à la main. Il vous faudra donc un certain temps d'adaptation avant de vous familiariser complètement avec la nouvelle méthode. Nous vous offrons les conseils suivants pour vous aider à vous familiariser avec la préparation du pain façon KitchenAid®.

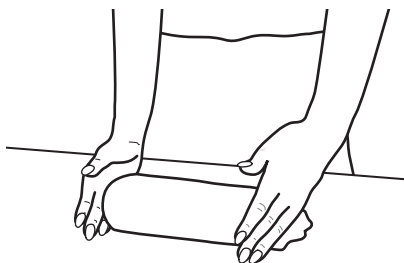
- Commencer avec une recette facile, telle que celle du « Pain blanc de base », jusqu'à ce que vous soyez habitué(e) à utiliser le crochet pétrisseur PowerKnead™.
  - Toujours utiliser le crochet pétrisseur PowerKnead™ pour mélanger et pétrir des pâtes au levain.
  - Utiliser la vitesse 2 pour mélanger ou pétrir les pâtes au levain. L'utilisation de toute autre vitesse entraîne un potentiel élevé de défaillance de l'appareil.
  - Ne pas utiliser de recettes nécessitant plus de 16 tasses de farine tout-usage ou plus de 10 tasses de farine de blé complet lors de l'élaboration de la pâte avec un mélangeur à capacité de 7 pintes.
  - Utiliser un thermomètre à confiserie ou tout autre thermomètre de cuisine pour vérifier que les liquides ont bien atteint la température spécifiée dans la recette. À température plus élevée, un liquide peut détruire la levure – à température inférieure, il retarde au contraire son développement.
  - Amener tous les ingrédients à température ambiante afin que la pâte puisse lever correctement. Si la levure doit être dissoute dans le bol, toujours chauffer le bol en le rinçant à l'eau tiède afin d'éviter que les liquides ne refroidissent.
  - Laisser le pain lever dans un endroit tiède, à une température comprise entre 80 °F et 85 °F, à l'abri des courants d'air, sauf indication contraire dans la recette.
- Voici quelques méthodes alternatives pour faire lever la pâte : (1) Le bol contenant la pâte peut être placé sur une grille, elle-même déposée sur une casserole d'eau chaude. (2) Le bol peut être placé sur la grille supérieure d'un four non chauffé; placer une casserole d'eau chaude sur la grille inférieure. (3) Allumer le four à 400 °F pendant 1 minute, puis l'éteindre; placer le bol sur la grille centrale du four et fermer la porte.  
Couvrir le bol de papier sulfurisé si désiré. Toujours recouvrir d'un torchon pour conserver la chaleur du bol et protéger la pâte des courants d'air.
  - La durée de la levée de la pâte peut varier d'une recette à l'autre en fonction de la température et du taux d'humidité dans la pièce. La pâte a doublé de volume quand la marque des doigts pressés légèrement et rapidement dans la pâte y reste imprimée.
  - La plupart des recettes de pain donnent une fourchette quant à la quantité de farine à utiliser. Lorsque la pâte cesse d'adhérer aux parois du bol, cela signifie que la quantité de farine utilisée est suffisante. Si la pâte est collante ou que le taux d'humidité est élevé, rajouter de la farine en petite quantité – environ une moitié de tasse à la fois mais ne pas dépasser la quantité de farine recommandée. Pétrir la pâte après chaque ajout de farine, jusqu'à ce que celle-ci soit complètement intégrée à la pâte. Si l'on ajoute trop de farine, le pain sera trop sec.
  - Une fois la préparation terminée, le pain et les petits pains au levain doivent être d'un brun doré profond. Autres façons de tester le niveau de cuisson du pain : le pain se décolle des parois du moule, et il produit un son creux lorsqu'on tapote sur sa surface. Immédiatement après la cuisson, retourner le pain et les petits pains sur la grille afin d'éviter qu'ils ne ramollissent.

## Former un pain

---



1. Diviser la pâte en deux. Sur une surface légèrement farinée, rouler chaque moitié de pâte en forme de rectangle d'environ 23 x 36 cm (9 x 14"). Un rouleau à pâtisserie lissera la pâte et en retirera les bulles de gaz.



3. Pincer les extrémités et les rabattre en-dessous. Placer, couture en-dessous, dans un moule à pain. Suivre les directives de la recette pour faire lever et faire cuire.



2. Commencer à une extrémité courte et rouler bien serré. Pincer la pâte pour sceller la couture.

# Pain blanc de base

---

- 120 mL (1/2 tasse)  
de lait faible en  
matière grasse
- 45 mL (3 cuillerées  
à soupe) de sucre
- 10 mL (2 cuillerées  
à thé) de sel
- 45 mL (3 cuillerées  
à soupe) de beurre  
ou de margarine
- 2 sachets de levure  
active sèche
- 355 mL (1-1/2 tasse)  
d'eau tiède (40 °C  
à 46 °C [105 °F  
à 115 °F])
- 1,2 à 1,5 L (5 à 6 tasses)  
de farine tout usage

Placez le lait, le sucre, le sel et le beurre dans une petite casserole. Réchauffez à feu bas jusqu'à ce que le beurre fonde et le sucre soit dissout. Laissez refroidir à tiède.

Faites dissoudre la levure dans l'eau tiède dans le bol du batteur réchauffé. Ajoutez le mélange de lait tiède et 1 L (4-1/2 tasses) de farine. Installez le bol et le crochet pétrisseur au batteur. Mettez le batteur à la vitesse 2 et mélangez pendant 1 minute.

Continuez à la vitesse 2 en ajoutant le reste de la farine, 120 mL (1/2 tasse) à la fois et mélangez pendant environ 1-1/2 minutes ou jusqu'à ce que la pâte commence à se dégager des côtés du bol. Pétrissez à la vitesse 2 pendant 2 autres minutes de plus ou jusqu'à ce que la pâte soit lisse et élastique. La pâte sera un peu collante au toucher.

Placez la pâte dans un bol graissé, tournez la pâte pour graisser le dessus. Couvrez. Laissez la pâte lever dans un endroit tiède, sans courant d'air, pendant environ 1 heure ou jusqu'à ce qu'elle ait doublé de taille.

Frappez pour faire baisser la pâte et divisez en deux. Formez chaque moitié en pain (tel qu'indiqué à la page 50) et placez dans des moules à pain graissés de 21,25 x 11,25 x 6,25 cm (8-1/2 x 4-1/2 x 2-1/2"). Couvrez. Laissez la pâte lever dans un endroit tiède, sans courant d'air, pendant environ 1 heure ou jusqu'à ce qu'elle ait doublé de taille.

Faites cuire à 200 °C (400 °F) pendant 30 minutes ou jusqu'à ce qu'ils soient bruns dorés. Retirez immédiatement des moules et laissez refroidir sur les clayettes.

Donne : 32 portions (16 portions par pain).

Par portion : environ 95 calories, 3 g pro,  
18 g glucides, 1 g gras, 0 mg chol, 148 mg sod.

## VARIATION

### Pain de surplus au congélateur

Augmentez les quantités d'ingrédients de 50 pour cent et préparez dans le bol du batteur de 5,7 L (6 pintes). Dans le deuxième paragraphe, changez 1 L (4-1/2 tasses) de farine pour 1,735 L (7 tasses). Divisez la pâte en trois parties.

Donne : 48 portions (16 portions par pain).

# Pain de blé entier

---

95 mL (1/3 tasse plus  
1 cuillerée à soupe)  
de cassonade

475 mL (2 tasses) d'eau  
tiède (40 °C à 46 °C  
[105 °F à 115 °F])

2 sachets de levure  
active sèche

1,2 à 1,5 L (5 à 6 tasses)  
de farine de blé  
entier

175 mL (3/4 tasse) de  
lait en poudre

10 mL (2 cuillerées  
à thé) de sel

80 mL (1/3 tasse)  
d'huile

Faites dissoudre 15 mL (1 cuillerée à soupe) de cassonade dans l'eau tiède dans un petit bol. Ajoutez la levure et laissez reposer le mélange.

Placez 945 mL (4 tasses) de farine, le lait en poudre, 80 mL (1/3 tasse) de cassonade et le sel dans le bol du batteur. Installez le bol et le crochet pétrisseur au batteur. Mettez le batteur à la vitesse 2 et mélangez pendant environ 15 secondes. Continuez à la vitesse 2 et graduellement ajoutez le mélange à levure et l'huile au mélange de farine, puis mélangez pendant 1-1/2 minutes de plus. Arrêtez et grattez le bol, si nécessaire.

Continuez à la vitesse 2 en ajoutant le reste de la farine, 120 mL (1/2 tasse) à la fois et mélangez pendant environ 2 minutes ou jusqu'à ce que la pâte commence à se dégager des côtés du bol. Continuez à la vitesse 2 pendant environ 2 minutes de plus.

**REMARQUE** : La pâte ne formera peut-être pas de boule sur le crochet. Pourtant, aussi longtemps que le crochet entre en contact avec la pâte, le pétrissage se fera. N'en ajoutez pas plus que la quantité maximum de farine spécifiée sinon le pain sera sec.

Placez la pâte dans un bol graissé, tournez la pâte pour graisser le dessus. Couvrez. Laissez la pâte lever dans un endroit tiède, sans courant d'air, pendant environ 1 heure ou jusqu'à ce qu'elle ait doublé de taille.

Frappez pour faire baisser la pâte et divisez en deux. Formez chaque moitié en pain tel qu'indiqué à la page 50. Placez dans un moule graissé de 21,25 x 11,25 x 6,25 cm (8-1/2 x 4-1/2 x 2-1/2"). Couvrez. Laissez la pâte lever dans un endroit tiède, sans courant d'air, pendant environ 1 heure ou jusqu'à ce qu'elle ait doublé de taille.

Faites cuire à 200 °C (400 °F) pendant 15 minutes. Réduisez la température du four à 180 °C (350 °F) et faites cuire pendant 20 à 30 minutes de plus. Retirez immédiatement des moules et laissez refroidir sur les clayettes.

Donne : 32 portions (16 portions par pain).

Par portion : environ 112 calories, 4 g pro, 19 g glucides, 3 g gras, 2 mg chol, 146 mg sod.



## Pain français

---

- 2 sachets de levure active sèche
- 590 mL (2-1/2 tasses) d'eau tiède (40 °C à 46 °C [105 °F à 115 °F])
- 15 mL (1 cuillerée à soupe) de sel
- 15 mL (1 cuillerée à soupe) de beurre ou de margarine, fondu(e)
- 1,75 mL (7 tasses) de farine tout usage
- 30 mL (2 cuillerées à soupe) de semoule de maïs
- 1 blanc d'œuf
- 15 mL (1 cuillerée à soupe) d'eau froide

Faites dissoudre la levure dans l'eau tiède dans le bol du batteur réchauffé. Ajoutez le sel, le beurre et la farine. Installez le bol et le crochet pétrisseur au batteur. Mettez le batteur à la vitesse 2 et mélangez pendant 1 minute ou jusqu'à ce que le tout soit bien mélangé. Continuez à la vitesse 2 pendant environ 2 minutes de plus. La pâte sera un peu collante.

Placez la pâte dans un bol graissé, tournez la pâte pour graisser le dessus. Couvrez. Laissez la pâte lever dans un endroit tiède, sans courant d'air, pendant environ 1 heure ou jusqu'à ce qu'elle ait doublé de taille.

Frappez pour faire baisser la pâte et divisez en deux. Roulez chaque moitié en rectangle de 30 x 37,5 cm (12 x 15"). Roulez la pâte bien serrée, du côté le plus long en effilant les extrémités si désiré. Placez les pains sur les plaques à biscuits graissés saupoudrées de semoule de maïs. Couvrez. Laissez la pâte lever dans un endroit tiède, sans courant d'air, pendant environ 1 heure ou jusqu'à ce qu'elle ait doublé de taille.

Avec un couteau tranchant, faites 4 coupes en diagonale sur le dessus de chaque pain. Faites cuire à 230 °C (450 °F) pendant 25 minutes. Retirez du four. Mélangez le blanc d'œuf et l'eau ensemble avec une fourchette. Badigeonnez chaque pain du mélange d'œuf. Remettez au four et faites cuire pendant 5 à 10 minutes de plus. Retirez immédiatement des plaques à biscuit et laissez refroidir sur les clayettes.

Donne : 30 portions (15 portions par pain).

Par portion : environ 114 calories, 3 g pro, 23 g glucides, 1 g gras, 0 mg chol, 221 mg sod.

## Pain de farine d'avoine et miel

---

- 355 mL (1-1/2 tasse)  
d'eau
- 120 mL (1/2 tasse)  
de miel
- 80 mL (1/3 tasse)  
de beurre ou  
margarine
- 1,32 à 1,62 L (5-1/2  
à 6-1/2 tasses)  
de farine tout usage
- 235 mL (1 tasse)  
d'avoine à cuisson  
rapide
- 10 mL (2 cuillérées  
à thé) de sel
- 2 sachets de levure  
active sèche
- 2 oeufs
- 1 blanc d'œuf
- 15 mL (1 cuillerée  
à soupe) d'eau  
Farine d'avoine
- Placez l'eau, le miel et le beurre dans une petite casserole. Chauffez à feu bas jusqu'à ce que le mélange soit très chaud, 49 à 54 °C (120 à 130 °F).
- Placez d'abord l'avoine, puis 1,2 L (5 tasses) de farine, le sel, et la levure dans le bol du batteur. Installez le bol et le crochet pétrisseur au batteur. Mettez le batteur à la vitesse 2 et mélangez pendant environ 15 secondes. Continuez à la vitesse 2 et graduellement ajoutez le mélange chaud au mélange de farine, puis mélangez pendant environ 1 minute. Ajoutez les oeufs et mélangez pendant environ 1 minute de plus.
- Continuez à la vitesse 2 en ajoutant le reste de la farine, 120 mL (1/2 tasse) à la fois et mélangez pendant environ 2 minutes ou jusqu'à ce que la pâte commence à se dégager des côtés du bol. Pétrissez à la vitesse 2 pendant environ 2 minutes de plus.
- Placez la pâte dans un bol graissé, tournez la pâte pour graisser le dessus. Couvrez. Laissez la pâte lever dans un endroit tiède, sans courant d'air, pendant environ 1 heure ou jusqu'à ce qu'elle ait doublé de taille.
- Frappez pour faire baisser la pâte et divisez en deux. Formez chaque moitié en pain tel qu'indiqué à la page 50. Placez dans des moules graissés de 21,25 x 11,25 x 6,25 cm (8-1/2 x 4-1/2 x 2-1/2"). Couvrez. Laissez la pâte lever dans un endroit tiède, sans courant d'air, pendant environ 1 heure ou jusqu'à ce qu'elle ait doublé de taille.
- Battez le blanc d'œuf et l'eau ensemble avec une fourchette. Badigeonnez les dessus des pains du mélange. Saupoudrez de farine d'avoine. Faites cuire à 190 °C (375 °F) pendant 30 à 40 minutes. Retirez immédiatement des moules et laissez refroidir sur les clayettes.
- Donne : 32 portions (16 portions par pain).
- Par portion : environ 134 calories, 4 g pro, 24 g glucides, 3 g gras, 13 mg chol, 162 mg sod.

## Pate a pizza croutee

---

- 1 sachet de levure active sèche
- 235 mL (1 tasse) d'eau tiède (40 °C à 46 °C [105 °F à 115 °F])
- 2 mL (1/2 cuillerée à thé) de sel
- 10 mL (2 cuillerées à thé) d'huile d'olive
- 590 à 830 mL (2-1/2 à 3-1/2 tasses) de farine tout usage
- 15 mL (1 cuillerée à soupe) de semoule de maïs

Faites dissoudre la levure dans l'eau tiède dans le bol du batteur réchauffé. Ajoutez le sel, l'huile d'olive et 590 mL (2-1/2 tasses) de farine. Installez le bol et le crochet pétrisseur au batteur. Mettez le batteur à la vitesse 2 et mélangez pendant 1 minute.

Continuez à la vitesse 2 en ajoutant le reste de la farine, 120 mL (1/2 tasse) à la fois et mélangez pendant environ 1-1/2 minutes ou jusqu'à ce que la pâte commence à se dégager des côtés du bol. Continuez à la vitesse 2 pendant environ 2 minutes de plus.

Placez la pâte dans un bol graissé, tournez la pâte pour graisser le dessus. Couvrez. Laissez la pâte lever dans un endroit tiède, sans courant d'air, pendant environ 1 heure ou jusqu'à ce qu'elle ait doublé de taille. Frappez pour réduire la pâte.

Badigeonnez un plaque à pizza de 35 cm (14 po) d'huile. Saupoudrez de semoule de maïs. Pressez la pâte au fond de la plaque et formez un col autour du bord pour retenir les garnitures. Ajoutez les garnitures, si désiré. Faites cuire à 230 °C (450 °F) pendant 15 à 20 minutes.

Donne : 4 portions (1/4 pizza par portion).

Par portion : environ 373 calories, 11 g pro, 74 g glucides, 3 g gras, 0 mg chol, 271 mg sod.

### VARIATION

#### **Pizza pour une foule**

Doublez les ingrédients et préparez dans le bol du batteur de 6,6 L (7 pintes).

Donne : 8 portions (1/4 pizza par portion).

## Pâte sucrée de base

---

- 175 mL (3/4 tasse)  
de lait faible en  
matière grasse
- 120 mL (1/2 tasse) de  
sucre
- 6 mL (1-1/4 cuillère à  
thé) de sel
- 120 mL (1/2 tasse)  
de beurre ou  
margarine
- 2 sachets de levure  
active sèche
- 80 mL (1/3 tasse) d'eau  
tiède (40 °C à 46 °C  
[105 °F à 115 °F])
- 3 oeufs à température  
ambiante
- 1,32 à 1,62 mL (5-1/2-  
6-1/2 tasses) de  
farine tout usage
- Placez le lait, le sucre, le sel et le beurre dans une petite casserole. Réchauffez à feu bas jusqu'à ce que le beurre fonde et le sucre soit dissout. Laissez refroidir à tiède.
- Faites dissoudre la levure dans l'eau tiède dans le bol du batteur réchauffé. Ajoutez le mélange de lait tiède, les oeufs et 1,2 L (5 tasses) de farine. Installez le bol et le crochet pétrisseur en spirale PowerKnead™ au batteur. Mettez le batteur à la vitesse 2 et mélangez pendant environ 2 minutes.
- Continuez à la vitesse 2 en ajoutant le reste de la farine, 120 mL (1/2 tasse) à la fois et mélangez pendant environ 1-1/2 minutes ou jusqu'à ce que la pâte commence à se dégager des côtés du bol. Continuez à la vitesse 2 pendant environ 2 minutes de plus.
- Placez la pâte dans un bol graissé, tournez la pâte pour graisser le dessus. Couvrez. Laissez la pâte lever dans un endroit tiède, sans courant d'air, pendant environ 1 heure ou jusqu'à ce qu'elle ait doublé de taille.

Frappez pour faire baisser la pâte et formez au goût pour les petits pains ou les gâteaux danois.

### VARIATION

#### Pâte sucrée de base pour une foule

Doublez les ingrédients et préparez dans le bol du batteur de 6,6 L (7 pintes). Dans le premier paragraphe, changez petite casserole pour moyenne casserole. Dans le deuxième paragraphe, changez 1,2 L (5 tasses) de farine pour 2,4 L (10 tasses).

## Tourbillons de cannelle

---

- 235 mL (1 tasse) de cassonade bien tassée
- 235 mL (1 tasse) de sucre
- 120 mL (1/2 tasse) de beurre ou margarine, amolli(e)
- 60 mL (1/4 tasse) de farine tout usage
- 22 mL (1-1/2 tasse) de cannelle
- 120 mL (1/2 tasse) de pacanes ou noix de Grenoble hachées
- 1 recette de pâte sucrée de base
- Placez la cassonade, le sucre, le beurre, la farine, la cannelle et les noix de Grenoble dans le bol du batteur. Installez le bol et le batteur plat au batteur. Mettez le batteur à la vitesse 2 et mélangez pendant 1 minute.
- Placez la pâte sur une surface légèrement farinée. Roulez la pâte en rectangle de 25 x 60 cm (10 x 24"). Versez le mélange sucre-cannelle uniformément sur la pâte. Roulez la pâte bien serrée du côté le plus long pour former un rouleau de 60 cm (24"), pinçant ensemble les coutures. Coupez en 24 tranches de 2,5 cm (1") chacune.
- Placez 12 rouleaux dans deux moules graissés de 32,5 x 22,5 x 5 cm (13 x 9 x 2"). Couvrez. Laissez lever dans un endroit tiède, sans courant d'air, pendant 45 à 60 minutes ou jusqu'à ce que leur taille ait doublé.
- Faites cuire à 180 °C (350 °F) pendant 20 à 25 minutes. Retirez immédiatement des moules. Versez le fondant au caramel sur les rouleaux chauds.

### Fondant au caramel

- 80 mL (1/3 tasse) de lait évaporé
- 30 mL (2 cuillérées à soupe) de cassonade
- 355 mL (1 1/2 tasse) de sucre en poudre
- 5 mL (1 cuillérée à thé) de vanille
- Placez le lait évaporé et la cassonade dans une petite casserole. Faites cuire à feu moyen jusqu'à ce que le mélange commence à bouillir, en brassant constamment.
- Placez le mélange de lait, le sucre en poudre et la vanille dans le bol du batteur. Installez le bol et le batteur plat au batteur. Mettez le batteur à la vitesse 4 et mélangez pendant 2 minutes ou jusqu'à ce que le tout soit crémeux.
- Donne : 24 portions (1 rouleau par portion).
- Par portion : environ 338 calories, 6 g pro, 57 g glucides, 10 g gras, 28 mg chol, 219 mg sod.

**Accessoires** – Composer le 1-855-845-9684 pour obtenir plus de renseignements.

---

## Trousse d'accessoires multifonctionnels

---



### Modèle FPPA

Trois accessoires populaires KitchenAid® ont été emballés dans 1 carton, soit : Un rotor de trancheur/déchiquteur (RVSA), un hachoir (FGA) et des accessoires de tamis pour fruits/légumes (FVSP).

## Hachoir

---

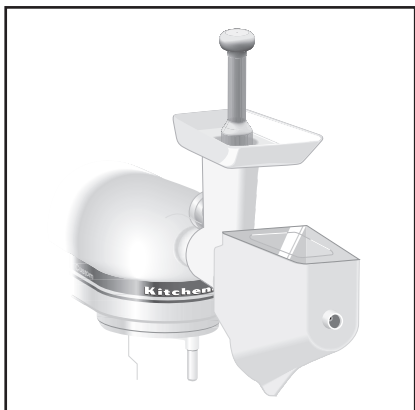


### Modèle FGA

Pour hacher viandes, fruits fermes et légumes et broyer le pain rassis.

## Tamis pour fruits/légumes

---



### Modèle FVSFGA

Permet la préparation facile et rapide de confitures, purées, sauces et aliments pour bébés. Le tamis fait partie du hachoir.

## Plateau pour aliments

---



### Modèle FT

Accueille de grandes quantités d'aliments pour extraire facilement et rapidement les jus, effectuer des purées et hacher les aliments. Utiliser cet accessoire avec le FGA.

## Accessoires d'entonnage de saucisses

---



### Modèle SSA

Des tubes d'entonnage de 3/8'' et 5/8'' servent à préparer les saucisses Bratwurst, kolbassa, italiennes et polonaises et les chapelets de saucisses pour le petit déjeuner. Utiliser cet accessoire avec le FGA.

## Rotor de trancheur / déchiqueteur

---



### Modèle RVSA

Comprend 4 cônes de trancheur : dont deux pour tranches minces et épaisses, et deux pour déchiqueter finement et grossièrement.

**Accessoires** – Composer le 1-855-845-9684 pour obtenir plus de renseignements.

---

## Moulin à grains

---



### Modèle KGMA

Pour mouder très finement ou très grossièrement des grains à faible taux d'humidité.

## Ensemble de rouleaux pour pâtes alimentaires

---



### Modèle KPRA

Permet de préparer les nouilles pour lasagnes, les fettucini et de fins linguini. L'ensemble de 3 morceaux comprend le rouleau, les coupeurs pour fettucini et pour linguini.



**Accessoires** – Composer le 1-855-845-9684 pour obtenir plus de renseignements.

---

## Presse-agrumes

---



### Modèle JE

Pour extraire les jus d'agrumes facilement et parfaitement, tout en tamisant la pulpe.

## Verseur anti-éclaboussures

---



### Modèle KN2PS

(S'adapte à tous les modèles à manette de levage du bol de capacité de 7 pintes). Cet accessoire minimise les éclaboussures lors de l'ajout d'ingrédients.

## Garantía de 2 años sin dificultades



Confiamos tanto en que la calidad de nuestros productos cumple con las exigentes normas de KitchenAid que, si la batidora con base presentara alguna falla durante los dos primeros años de compra, KitchenAid gestionará la entrega de un reemplazo idéntico o comparable a su domicilio sin cargo y gestionará la devolución de su batidora con base "defectuosa" a nosotros. La unidad de reemplazo estará también cubierta por nuestra garantía completa de dos años. Sírvase seguir estas instrucciones para recibir este servicio de calidad.

**Si usted reside en los 50 estados de Estados Unidos** y su batidora con base KitchenAid® falla dentro de los primeros dos años de compra, sencillamente llame gratuitamente a nuestro Centro para la satisfacción del cliente al **1-855-845-9684**, de lunes a viernes de 8 a.m. a 8 p.m. hora del Este. Proporcione al asesor su dirección de envío completa.

Cuando usted reciba la batidora con base de reemplazo, use la caja y los materiales de empaque para empacar la batidora con base "defectuosa". En la caja, incluya su nombre y domicilio en un papel junto con la copia del comprobante de compra (recibo de la caja registradora, recibo de pago de la tarjeta de crédito, etc.).

Para obtener una explicación detallada acerca de los términos y las condiciones de la garantía, incluyendo cómo obtener servicio fuera de los Estados Unidos, vea las páginas 65 y 66.

## Prueba de compra y registro del producto

Guarde siempre una copia del recibo de compra que muestre la fecha en que adquirió su batidora con base. El comprobante de compra le asegura su derecho al servicio de garantía.

Antes de utilizar su batidora con base, por favor complete y envíe por correo la tarjeta de registro del producto que viene junto con la unidad.

Esta tarjeta nos permitirá comunicarnos con usted en el remoto caso que se dé un aviso de seguridad del producto y nos ayudará a cumplir con las disposiciones de la Ley de Seguridad de Productos de Consumo. Esta tarjeta no confirma su garantía.

Por favor, complete los siguientes datos para su registro personal:

Número del modelo \_\_\_\_\_

Número de serie \_\_\_\_\_

Fecha de compra \_\_\_\_\_

Nombre de la tienda y dirección \_\_\_\_\_

# Índice

---

Garantía de 2 años sin dificultades .....	62
Tarjeta de registro del producto .....	62
Seguridad de la batidora con base.....	64
Salvaguardias importantes .....	64
Garantía .....	65
Para los 50 estados de Estados Unidos, Distrito de Columbia, y Puerto Rico .....	65
Cómo obtener el servicio de garantía una vez que ésta haya expirado.....	66
Cómo obtener el servicio técnico fuera de los 50 estados de Estados Unidos y Puerto Rico .....	66
Cómo realizar un pedido de accesorios y piezas de repuesto .....	66
Requisitos eléctricos .....	67
Solución de problemas.....	67
<b>Acerca de su batidora</b>	
Características de la batidora con base y tazón que se levanta .....	68
Cómo ensamblar su batidora y tazón que se levanta .....	69
Cómo usar el escudo vertedor .....	70
Uso de los aditamentos KitchenAid® .....	71
Tiempo de mezclado .....	71
Uso de la batidora .....	71
Cuidado y limpieza.....	72
Distancia entre el batidor y el tazón.....	72
Guía de control de velocidades – Batidoras de 10 velocidades.....	73
Consejos para el mezclado .....	74
Claras de huevo.....	75
Crema batida .....	75
Aditamentos y accesorios .....	76
Instrucciones generales .....	77
Instrucciones generales para mezclar y amasar la masa con levadura con el método de mezclado rápido.....	78
Recetas.....	81
Aditamentos y accesorios de KitchenAid® .....	88

# Seguridad de la Batidora con Base

## Su seguridad y la seguridad de los demás es muy importante.

Hemos incluido muchos mensajes importantes de seguridad en este manual y en su electrodoméstico. Lea y obedezca siempre todos los mensajes de seguridad.



Este es el símbolo de advertencia de seguridad.

Este símbolo le llama la atención sobre peligros potenciales que pueden ocasionar la muerte o una lesión a usted y a los demás.

Todos los mensajes de seguridad irán a continuación del símbolo de advertencia de seguridad y de la palabra "PELIGRO" o "ADVERTENCIA".

Estas palabras significan:

**⚠ PELIGRO**

**Si no sigue las instrucciones de inmediato, usted puede morir o sufrir una lesión grave.**

**⚠ ADVERTENCIA**

**Si no sigue las instrucciones, usted puede morir o sufrir una lesión grave.**

Todos los mensajes de seguridad le dirán el peligro potencial, le dirán cómo reducir las posibilidades de sufrir una lesión y lo que puede suceder si no se siguen las instrucciones.

## SALVAGUARDIAS IMPORTANTES

**Al utilizar aparatos eléctricos, debe seguir las precauciones básicas de seguridad, entre las que se incluyen las siguientes:**

1. Lea todas las instrucciones.
2. Para evitar el riesgo de choque eléctrico, no ponga la batidora con base en agua ni en ningún otro líquido.
3. Es necesario supervisar cuidadosamente a los niños cuando usen cualquier aparato o cuando éste se use cerca de ellos.
4. Desenchufe la batidora con base del contacto cuando no esté en uso, antes de colocar o quitar partes y antes de la limpieza.
5. Evite tocar las partes que estén en movimiento. Mantenga las manos, el cabello y la ropa, así como también las espátulas y otros utensilios, lejos del batidor durante el funcionamiento, para reducir el riesgo de heridas a personas y/o daños a la batidora con base.
6. No use la batidora con base si tiene un cable o enchufe dañado, si no ha funcionado correctamente, si se ha caído o si está dañada de alguna forma. Llame al Centro para la satisfacción del cliente de KitchenAid® al 1-855-845-9684 para obtener más información.
7. El uso de aditamentos no recomendados o vendidos por KitchenAid® puede provocar un incendio, choque eléctrico o lesión.
8. No utilice la batidora con base en exteriores.
9. No deje que el cable cuelgue del borde de la mesa o del mostrador.
10. Retire el batidor plano, el batidor de alambre o el gancho para masa de la batidora con base antes de lavarlos.

## GUARDE ESTAS INSTRUCCIONES

**ESTE PRODUCTO HA SIDO DISEÑADO ÚNICAMENTE PARA USO DOMÉSTICO.**

# Garantía de KitchenAid® para la batidora con base en los 50 estados de los Estados Unidos, Distrito de Columbia, y Puerto Rico

Esta garantía se extiende al comprador y a cualquier propietario subsiguiente para las batidoras con base usadas en los 50 estados de Estados Unidos, Distrito de Columbia, y Puerto Rico.

Duración de la garantía:	KitchenAid pagará por lo siguiente, a su elección:	KitchenAid no pagará por:
<p>Garantía de reembolso de 2 años.</p>	 <p>Garantía de reembolso de 2 años. Consulte el interior de la portada para obtener detalles acerca de cómo obtener el servicio o llame al Centro para la satisfacción del cliente, sin cargo, al 1-855-845-9684. O BIEN</p> <p>Los costos de las piezas de repuesto y del trabajo de reparación para corregir los defectos en los materiales y la mano de obra.</p>	<p>A. Reparaciones cuando su batidora con base ha sido empleada para fines ajenos al uso doméstico normal de una familia.</p> <p>B. Daños causados por accidente, alteración, uso indebido o abuso.</p> <p>C. Piezas de repuesto o costos de mano de obra para batidoras con base operadas fuera de los 50 estados de Estados Unidos, Distrito de Columbia, y Puerto Rico.</p>

**KITCHENAID NO SE HARÁ RESPONSABLE POR DAÑOS INCIDENTALES O CONSECUENTES.** Algunos estados no permiten la exclusión o limitación de daños incidentales o consecuentes, de modo que esta exclusión quizás no le corresponda a usted. Esta garantía le otorga derechos legales específicos, y es posible que usted tenga también otros derechos, los cuales varían de un estado a otro.

## **Cómo obtener el servicio de garantía una vez que ésta haya expirado**

---

Para obtener información acerca del servicio técnico, llame sin costo al 1-855-845-9684 o escriba a:

Customer Satisfaction Center,  
KitchenAid Portable Appliances,  
P.O. Box 218, St. Joseph, MI 49085-0218.

## **Cómo obtener el servicio técnico fuera de los 50 estados de Estados Unidos y Puerto Rico**

---

Consulte a su distribuidor local de KitchenAid o a la tienda donde compró la batidora con base para

obtener información sobre el servicio técnico.

## **Cómo realizar un pedido de accesorios y piezas de repuesto**

---

Para pedir accesorios o piezas de repuesto para su batidora con base, llame sin costo al 1-855-845-9684 o escriba a:

Customer Satisfaction Center,  
KitchenAid Portable Appliances,  
P.O. Box 218, St. Joseph, MI 49085-0218.

## Requisitos eléctricos

Voltios: sólo 120 C.A. Hertzios: 60  
La clasificación del vataje para su batidora con base está impresa en la placa con el número de serie.

No use un cable eléctrico de extensión. Si el cable de suministro eléctrico es demasiado corto, haga que un electricista o técnico de servicio competente instale un contacto cerca del electrodoméstico.

La clasificación máxima está basada en el accesorio que requiera la mayor carga (potencia). Otros accesorios recomendados pueden requerir una potencia significativamente menor.

### **! ADVERTENCIA**



#### **Peligro de Choque Eléctrico**

**Conecte a un contacto de pared de conexión a tierra de 3 terminales.**

**No quite la terminal de conexión a tierra.**

**No use un adaptador.**

**No use un cable eléctrico de extensión.**

**No seguir estas instrucciones puede ocasionar la muerte, incendio o choque eléctrico.**

## Solución de problemas

**Sírvase leer la información a continuación antes de llamar al centro de servicio.**

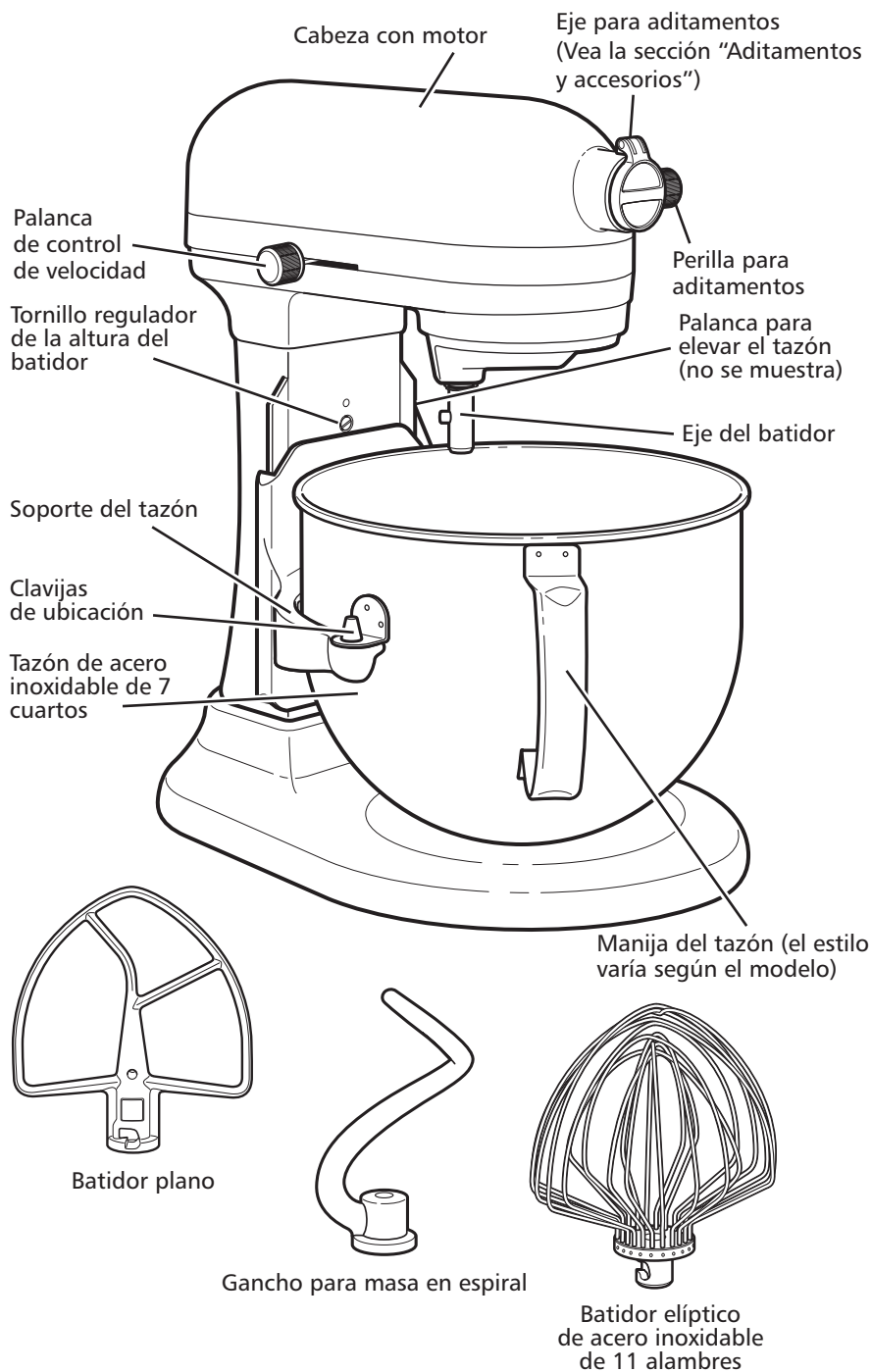
1. La batidora con base puede calentarse durante el uso. Cuando trabaje con cargas pesadas y en períodos de mezclado prolongados, quizá no pueda tocar cómodamente la parte superior de la batidora con base. Esto es normal.
2. La batidora con base podrá emitir un olor cáustico, especialmente cuando es nueva. Esto es común en los motores eléctricos.
3. Si el batidor plano golpea el tazón, detenga la batidora con base. Vea la sección "Distancia entre el batidor y el tazón".

Guardé una copia del recibo que muestre la fecha de la compra. La prueba de compra le asegurará el servicio bajo la garantía.

**Si su batidora con base falla o no funciona, sírvase revisar lo siguiente:**

- ¿Está conectada la batidora con base?
- ¿Está funcionando adecuadamente el fusible en el circuito que va a la batidora con base? Si tiene una caja de cortacircuitos, asegúrese de que el circuito esté cerrado.
- Apague la batidora con base durante 10 a 15 segundos y vuelva a encenderla. Si la batidora todavía no se enciende, deje que se enfríe durante 30 minutos antes de volver a encenderla.
- Si el problema no se debe a lo mencionado anteriormente, consulte la sección "Cómo obtener servicio técnico".
- No devuelva la batidora con base a la tienda, ellos no brindan servicio técnico.

# Características de la batidora con base y tazón que se levanta





# Cómo ensamblar su batidora y tazón que se levanta

## ⚠ ADVERTENCIA



### Peligro de Choque Eléctrico

Conecte a un contacto de pared de conexión a tierra de 3 terminales.

No quite la terminal de conexión a tierra.

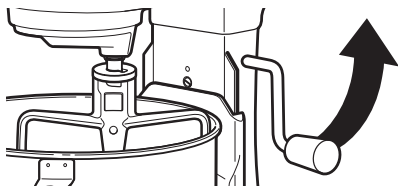
No use un adaptador.

No use un cable eléctrico de extensión.

No seguir estas instrucciones puede ocasionar la muerte, incendio o choque eléctrico.

### Cómo sujetar el tazón

1. Asegúrese de que el control de velocidad esté APAGADO y que la batidora con base esté desenchufada.
2. Coloque la palanca para elevar el tazón en la posición baja.
3. Coloque los soportes del tazón sobre las clavijas de ubicación.
4. Presione la parte posterior del tazón hacia abajo, hasta que la clavija del tazón encaje a presión en el seguro del resorte.
5. Levante el tazón antes de mezclar.
6. Conecte a un contacto de pared de conexión a tierra de 3 terminales.



### Para levantar el tazón

1. Gire la palanca hacia la posición vertical.
2. Cuando mezcle, el tazón siempre debe estar levantado y bloqueado.

### Para bajar el tazón

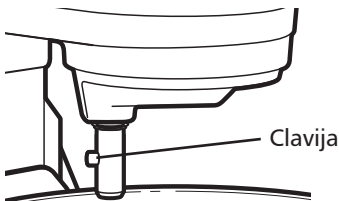
1. Gire la palanca hacia atrás y hacia abajo.

### Para quitar el tazón

1. Asegúrese de que el control de velocidad esté APAGADO y que la batidora con base esté desenchufada.
2. Coloque la manija para elevar el tazón en la posición baja.
3. Quite el batidor plano, el batidor de alambre o el gancho para masa en espiral.
4. Sujete la manija del tazón y levante directamente hacia arriba para sacarlo de las clavijas de ubicación.

### Para sujetar el batidor plano, el batidor de alambre o el gancho para masa en espiral PowerKnead™

1. Deslice el control de velocidad a OFF (Apagado) y desenchufe la batidora.
2. Deslice el batidor plano en el eje del batidor.



3. Gire el batidor hacia la derecha para encajarlo sobre la clavija en el eje.
4. Conecte a un contacto de pared de conexión a tierra de 3 terminales.

# Cómo ensamblar su batidora y tazón que se levanta

Para quitar el batidor plano, el batidor de alambre o el gancho para masa en espiral PowerKnead™

1. Deslice el control de velocidad a OFF (Apagado) y desenchufe la batidora.
2. Presione el batidor hacia arriba y gírelo hacia la izquierda.
3. Jale el batidor de su eje.

Batidora con base doméstica  
Control de velocidad



Conecte a un contacto de pared de conexión a tierra de 3 terminales. La palanca de control de velocidades siempre debe estar en la velocidad más baja para comenzar, y moverse gradualmente a la velocidad más alta deseada, para evitar que los ingredientes salpiquen fuera del tazón. Vea la sección "Guía de control de velocidad".

## Cómo usar el escudo vertedor\*

Cómo usar el escudo vertedor

1. Asegúrese de que la palanca de control de velocidad esté en la posición de OFF/0 (Apagado/0).
2. Desenchufe la batidora con base.
3. Sujete el accesorio deseado y eleve el tazón de mezclado.
4. Deslice el collar del escudo vertedor sobre el eje del batidor, centrando el collar sobre el borde del tazón.

Cómo usar el escudo vertedor\*

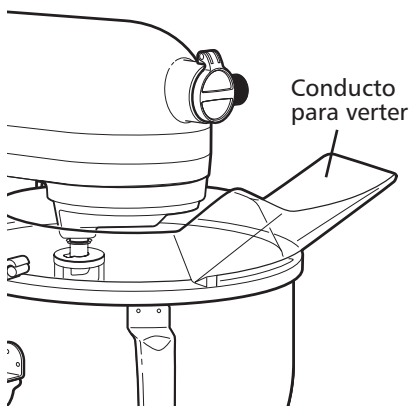
Vierta los ingredientes en el tazón de mezclado a través de la parte con conducto del escudo.

**IMPORTANTE:** Asegúrese de que las guías en la parte inferior del conducto descansen sobre el borde del tazón, para evitar que los ingredientes caigan fuera del tazón cuando se agreguen.

\*Incluido con algunos modelos.

Cómo limpiar el escudo vertedor

Lave en agua tibia jabonosa. Usted puede colocar el escudo en la canastilla superior de la lavavajillas si lo desea.



Cómo quitar el escudo vertedor

1. Asegúrese de que la palanca de control de velocidad esté en la posición de OFF/0 (Apagado/0).
2. Desenchufe la batidora con base.
3. Deslice el collar del escudo vertedor fuera del tazón.
4. Baje el soporte del tazón girando la palanca para elevar el tazón hacia abajo.
5. Quite el accesorio y el tazón de mezclado.

# Uso de los aditamentos KitchenAid®

---

El batidor plano para mezclas normales a densas:

pasteles	pastelillos
glaseados cremosos	panes rápidos
dulces	rollo de carne molida
galletas	puré de papás
pay	pastelitos

Batidor de alambre para mezclas que necesitan tener aire incorporado:

huevos	bizcochos
claras de huevo	pasteles de ángel
crema densa	mayonesa
glaseados hervidos	algunos dulces

Gancho para masa en espiral PowerKnead™ para mezclar y amasar masas con levadura:

panes	bizcocho con fruta seca
bollos	bollos
masa para pizza	

## Tiempo de mezclado

---

Su batidora con base KitchenAid® mezclará más rápido y a fondo que la mayoría de las batidoras con base eléctricas. Por consecuencia, el tiempo de mezclado en la mayoría de las recetas se deberá ajustar para

evitar mezclar demasiado. Con los pasteles, por ejemplo, el tiempo de batido podrá tomar la mitad del tiempo que con otras batidoras con base.

## Uso de la batidora

---

### **ADVERTENCIA**

#### **Peligro de Lesiones**

**Desenchufe la batidora antes de tocar los batidores.**

**No seguir esta instrucción puede ocasionar fracturas de huesos, cortaduras o magulladuras.**

**NOTA:** No raspe el tazón mientras la batidora con base esté funcionando.

El tazón y el batidor se han diseñado para proveer un mezclado a fondo sin necesidad de raspar el tazón frecuentemente. Por lo general raspar el tazón una o dos veces durante el mezclado es suficiente. Apague la batidora con base antes de raspar. La batidora con base puede calentarse durante el uso. Con las mezclas densas que requieren un tiempo de mezclado prolongado, quizás no pueda tocar la parte superior de la batidora cómodamente. Esto es normal.

## Cuidado y limpieza

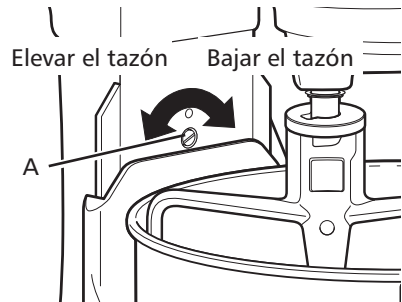
El tazón, el batidor plano de metal recubierto, el batidor de alambre de acero inoxidable y el gancho para masa en espiral de metal recubierto pueden lavarse en una lavavajillas automática. O bien, lávelos a fondo en agua caliente jabonosa y enjuáguelos por completo antes de secarlos. No deje guardados los batidores sobre el eje.

**NOTA:** Cerciórese siempre de desenchufar la batidora con base antes de la limpieza. Limpie la batidora con base con un paño suave húmedo. No use limpiadores domésticos ni comerciales. No la sumerja en el agua. Limpie el eje del batidor con frecuencia, quitando cualquier residuo que se pueda acumular.

## Distancia entre el batidor y el tazón

Su batidora con base se ajusta de fábrica de modo que el batidor plano casi toca el fondo del tazón. Si, por cualquier razón, el batidor plano golpea el fondo del tazón o está demasiado alejado de éste, puede corregir la distancia fácilmente.

1. Desenchufe la batidora con base.
2. Coloque la manija para elevar el tazón en la posición baja.
3. Sujete el batidor plano.
4. Ajuste el batidor plano de modo que casi toque la superficie del fondo del tazón cuando éste se encuentre levantado, girando el tornillo (A) hacia la izquierda para levantar el tazón y hacia la derecha para bajarlo. Sólo se necesita girarlo ligeramente: el tornillo no girará más de 1/4 de giro (90 grados) en cualquier dirección. (El rango de ajuste máximo es de 1/2 giro o 180 grados.)
5. Coloque la manija del tazón que se levanta en la posición alta para revisar la distancia.
6. Repita los pasos 4 y 5 si es necesario.



**NOTA:** Cuando se ajusta correctamente, el batidor plano no golpeará el fondo ni los lados del tazón. Si el batidor plano o el batidor de alambre está tan cerca que golpea el fondo del tazón, el batidor o el batidor de alambre se desgastará.

# Guía de control de velocidad - batidoras con base de 10 velocidades

Todas las velocidades incluyen la característica Soft Start®, la cual pone la batidora con base en marcha en una velocidad más baja automáticamente, para ayudar a evitar que se salpiquen los ingredientes y se hagan nubes de harina al comienzo del mezclado, luego aumenta rápidamente hasta alcanzar la velocidad seleccionada para un desempeño óptimo.

Número de velocidad

Velocidad

de revolver REVOLVER

Para revolver lentamente, combinar, hacer puré y comenzar todos los procedimientos de mezclado. Use esta velocidad cuando agregue harina a la masa, y para agregar líquidos a ingredientes secos. No use la velocidad de REVOLVER para mezclar o amasar mezclas con levadura.

2 MEZCLADO LENTO

Para mezclar lentamente, hacer puré o revolver más rápido. Use esta velocidad para mezclar y amasar masas con levadura, masas y dulces densos; comenzar a hacer puré de papas u otros vegetales; incorporar manteca a la harina; mezclar masas ligeras o que puedan salpicar.

4 MEZCLAR Y BATIR

Para mezclar masas semidensas, tales como para galletas. Use esta velocidad para combinar azúcar y manteca y para agregar azúcar a claras de huevo para preparar merengues. Velocidad media para mezclas de pasteles. Usar con: Molinillo de alimentos, rebanador/cortadora con rotor, rodillo para pasta y colador para frutas/verduras.

6 BATIR, HACER CREMOSO

Para batir a velocidad media-rápida (hacer cremoso) o batir. Use esta velocidad para terminar de batir masas para pastel, donas y otro tipo de batidos para rebozar. Velocidad alta para mezclas de pasteles. Utilícelo con el accesorio exprimidor de cítricos.

8 BATIDO RÁPIDO

Para batir crema, claras de huevo y glaseados hervidos.

10 BATIDO RÁPIDO

Para batir pequeñas cantidades de crema y claras de huevo o para terminar de batir el puré de papas. Uselo con los aditamentos para hacer pasta y el molino de granos.  
**NOTA:** No mantendrá velocidades altas con cargas densas, tales como cuando usa los aditamentos para hacer pasta y el molino de granos.

**NOTA:** Use la velocidad 2 para mezclar o amasar mezclas con levadura. Usar cualquier otra velocidad crea un alto potencial de falla de la batidora. El gancho para masa en espiral PowerKnead™ amasa eficazmente la mayoría de las masas con levadura en menos de 4 minutos.

# Consejos para el mezclado

---

## Cómo adaptar su receta para la batidora

Las instrucciones de mezclado para las recetas en este libro le pueden guiar para adaptar sus recetas favoritas, para prepararlas con su batidora con base de KitchenAid®. Busque recetas similares a las suyas y adapte sus recetas para usar los procedimientos que se encuentran en las recetas de KitchenAid® que son similares a las suyas.

Por ejemplo, el método de “mezcla rápida” (algunas veces se le llama el método de “vertido”) es ideal para pasteles sencillos, tales como pastel amarillo o blanco sencillo, que se incluyen en este libro. Este método requiere que se combinen los ingredientes secos con todos o casi todos los ingredientes líquidos en un paso.

Los pasteles más elaborados, tales como la tarta con glaseado de caramelo con plátano y nueces de Castilla, deberán prepararse usando el método tradicional de mezclado para pasteles. Con este método, el azúcar y la manteca, la mantequilla o margarina se mezclan a fondo (se hacen cremosas) antes de agregar los demás ingredientes.

Para todos los pasteles, los tiempos de mezclado pueden cambiar ya que su batidora con base KitchenAid® trabaja más rápido que otras batidoras. En general, el mezclar un pastel con la batidora con base KitchenAid® tomará la mitad de tiempo que se indica en la mayoría de las recetas para pasteles.

Para ayudar a determinar el tiempo de mezclado ideal, observe la masa para rebozar o la masa y mezcle solamente hasta ver la apariencia descrita en la receta, tal como “suave y cremoso”.

Para seleccionar las mejores velocidades de mezclado, use la sección “Guía de control de velocidad”.

## Cómo agregar ingredientes

Siempre agregue los ingredientes tan cerca del lado del tazón como sea posible, no lo haga directamente sobre el batidor en movimiento. El escudo vertedor puede usarse para agregar los ingredientes con más facilidad.

**NOTA:** Si los ingredientes en el fondo del tazón no se mezclan a fondo, entonces el batidor no está lo suficientemente cerca del fondo del tazón. Vea la sección “Distancia entre el batidor y el tazón”.

## Mezclas para pasteles

Cuando prepare mezclas para pastel empacadas, use la velocidad 2 para una velocidad baja, la velocidad 4 para una velocidad media y la velocidad 6 para una velocidad alta. Para obtener los mejores resultados, mezcle por el tiempo indicado en las instrucciones del empaque.

## Cómo agregar frutos secos, pasas o frutas confitadas

Siga las recetas individuales para ver las pautas sobre cómo incluir estos ingredientes. En general, los materiales sólidos deben incorporarse durante los últimos segundos de mezclado en la velocidad STIR (Revolver). Los batidos para rebozar deben ser lo suficientemente densos para evitar que las frutas o los frutos secos se peguen al fondo del molde durante el horneado. Las frutas pegajosas deben espolvorearse con harina para una mejor distribución en la masa.

## Mezclas líquidas

Las mezclas que contienen grandes cantidades de ingredientes líquidos deben mezclarse a velocidades más bajas para evitar salpicaduras. Aumente la velocidad solamente después de que se haya espesado la mezcla.

## Claras de huevo

Coloque las claras de huevo en un tazón limpio y seco a temperatura ambiente. Sujete el tazón y el batidor de alambre. Para evitar salpicaduras, aumente a la velocidad designada gradualmente y bata hasta el punto deseado. Vea el cuadro a continuación.

CANTIDAD	VELOCIDAD
1 clara de huevo.....	GRADUALMENTE A 10
2-4 claras de huevo.....	GRADUALMENTE A 8
6 o más claras de huevo .....	GRADUALMENTE A 8

### Etapas de batido

Con su batidora con base KitchenAid®, las claras de huevo se baten rápidamente. Por lo tanto, esté al tanto para no batir en exceso. Esta lista le dice lo que debe esperar.

#### Espumoso

Burbujas de aire grandes y desiguales.

#### Comienza a mantener la forma

Las burbujas de aire son finas y compactas; el producto es blanco.

#### Pico suave

Las puntas de los picos se deshacen cuando se quita el batidor de alambre.

#### Casi firmes

Se forman picos muy marcados cuando se quita el batidor de alambre, pero en realidad las claras están suaves.

#### Firmes pero no secas

Se forman picos muy marcados y firmes cuando se quita el batidor de alambre. Las claras son uniformes en color y brillan.

#### Firmes y secas

Se forman picos muy marcados y firmes cuando se quita el batidor de alambre. Las claras tienen pintitas y una apariencia pálida.

## Crema batida

Vierta crema para batir fría en un tazón que se haya enfriado previamente. Sujete el tazón y el batidor de alambre. Para evitar salpicaduras, aumente a la velocidad designada gradualmente y bata hasta el punto deseado. Vea el cuadro a continuación.

CANTIDAD	VELOCIDAD
1/4 taza (50 mL) .....	GRADUALMENTE A 10
1/2 taza (125 mL) ....	GRADUALMENTE A 10
1 taza (250 mL) .....	GRADUALMENTE A 8
1 pinta (500 mL) ....	GRADUALMENTE A 8

### Etapas de batido

Preste atención cuidadosamente durante el batido. Debido a que su batidora con base KitchenAid® bate tan rápido, sólo hay unos cuantos segundos entre las etapas de batido. Busque estas características:

#### Comienza a espesarse

La crema es densa y parece natilla.

#### Mantiene la forma

Se forman picos suaves cuando se quita el batidor de alambre. Puede incorporarse a otros ingredientes cuando se preparan postres y salsas.

#### Firme

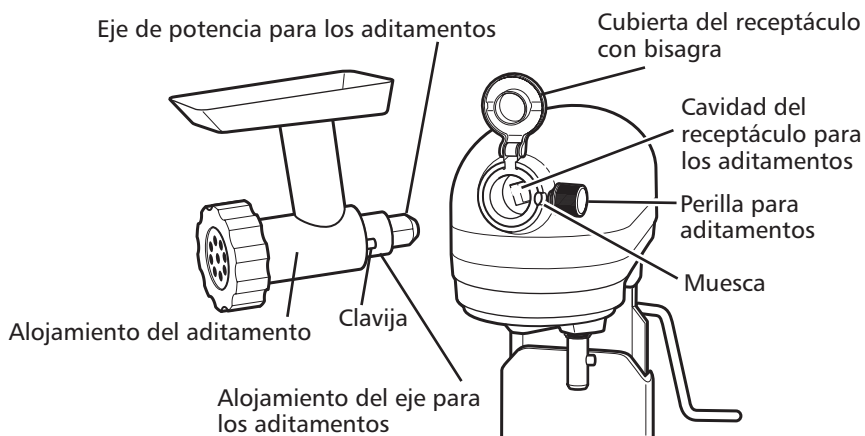
La crema se mantiene en picos firmes y muy marcados cuando se quita el batidor de alambre. Úsela para cubrir pasteles o postres, o bien para rellenar bollos de crema.

# Aditamentos y accesorios

## Información general

Los aditamentos de KitchenAid® se han diseñado para asegurar una larga vida. El eje de potencia y la cavidad del receptáculo del aditamento tienen un diseño cuadrado, el cual elimina cualquier posibilidad de que el accesorio se deslice fuera del receptáculo durante la transmisión de energía al aditamento. El alojamiento de la cavidad y el eje se han estrechado para asegurar que el aditamento encaje de manera ajustada, aun después del uso prolongado y el desgaste. Los aditamentos de KitchenAid® no requieren una unidad de suministro eléctrico adicional; la unidad de suministro está incorporada.

Consulte la Guía de uso y cuidado, la cual fue provista con los aditamentos para la batidora con base, para ver los ajustes de velocidad y el tiempo de funcionamiento.





# Instrucciones generales

## Para sujetar

1. Apague la batidora con base y desenchúfela.
2. Afloje la perilla del aditamento girándola hacia la izquierda.
3. Abra la cubierta del receptáculo con bisagra.
4. Inserte el alojamiento del eje del aditamento en el receptáculo de éste, asegurándose de que el eje de potencia del aditamento encaje dentro de la cavidad cuadrada del receptáculo para aditamentos. Puede ser necesario girar el aditamento hacia atrás y hacia adelante. Cuando el aditamento está en la posición correcta, la clavija del aditamento encajará en la muesca del borde del receptáculo.
5. Apriete la perilla del aditamento girándola hacia la derecha, hasta que el aditamento esté asegurado por completo a la batidora con base.
6. Conecte a un contacto de pared de conexión a tierra de 3 terminales.

## Para quitar

1. Apague la batidora con base y desenchúfela.
2. Afloje la perilla del aditamento girándola hacia la izquierda. Gire el aditamento ligeramente hacia atrás y hacia delante, al mismo tiempo que lo jala hacia fuera.
3. Vuelva a colocar la cubierta del receptáculo del aditamento. Apriete la perilla del aditamento girándola hacia la derecha.

## **! ADVERTENCIA**



### **Peligro de Choque Eléctrico**

**Conecte a un contacto de pared de conexión a tierra de 3 terminales.**

**No quite la terminal de conexión a tierra.**

**No use un adaptador.**

**No use un cable eléctrico de extensión.**

**No seguir estas instrucciones puede ocasionar la muerte, incendio o choque eléctrico.**

# Instrucciones generales para preparar y amasar la masa con levadura con el método de mezclado rápido

“Mezclado rápido” describe un método de hacer pan que requiere mezclar levadura seca con otros ingredientes secos antes de agregar líquido. A diferencia de este método, el método tradicional requiere disolver la levadura en agua tibia.

1. Coloque todos los ingredientes secos, incluida la levadura, en el tazón, con excepción de la última o las dos últimas tazas de harina.
2. Sujete el tazón y el gancho para masa en espiral PowerKnead™. Levante el tazón de la batidora. Ponga la batidora en la velocidad 2 y mezcle por aproximadamente 15 segundos o hasta que se combinen los ingredientes.
3. Continúe en la velocidad 2 y agregue gradualmente los ingredientes líquidos a la mezcla de harina; mezcle de 1 a 2 minutos adicionales. Vea la ilustración A.

**NOTA:** Si los ingredientes líquidos se agregan demasiado rápido, formarán una masa de agua alrededor del gancho para masa en espiral PowerKnead™ y se entretendrá el proceso de mezclado.

4. Continúe en la velocidad 2 y agregue el resto de la harina con cuidado, 1/2 taza a la vez. Vea la ilustración B. Mezcle hasta que la masa empiece a limpiar los lados del tazón; aproximadamente 2 minutos.
5. Amase a velocidad 2 por 2 minutos más, o bien hasta que la masa esté suave y elástica. Vea la ilustración C.
6. Baje el tazón en la batidora y quite el masa del tazón y del gancho para masa en espiral PowerKnead™. Siga las instrucciones en la receta para que leude, para dar forma y para hornear.

Cuando use el método tradicional para preparar su receta favorita, disuelva la levadura en agua tibia, en un tazón que se haya calentado previamente. Agregue los ingredientes líquidos y secos restantes, excepto la última o las 2 últimas tazas de harina. Ponga la batidora en la velocidad 2 y mezcle por aproximadamente 1 minuto o hasta que se mezclen a fondo los ingredientes. Continúe con los pasos 4 a 6.

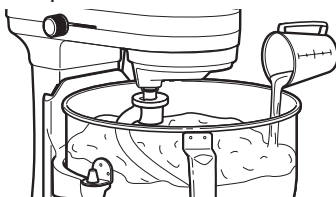


ILUSTRACIÓN A

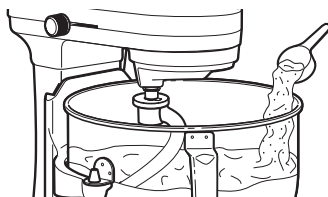


ILUSTRACIÓN B

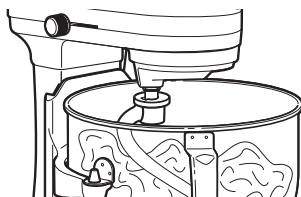


ILUSTRACIÓN C

Ambos métodos funcionan igualmente bien para la preparación de pan. Sin embargo, el método de “Mezclado rápido” puede ser un poco más rápido y fácil para los nuevos panaderos. Éste tolera una temperatura ligeramente más alta, ya que la levadura se mezcla con los ingredientes secos, en lugar de mezclarse con agua tibia.

# Consejos para hacer pan

---

Hacer pan con la batidora es muy diferente de hacerlo a mano. Por lo tanto, tomará algo de práctica antes de sentirse completamente cómodo con el nuevo proceso. Para su conveniencia, le ofrecemos estos consejos para ayudarle a que se acostumbre a hacer pan al estilo KitchenAid®.

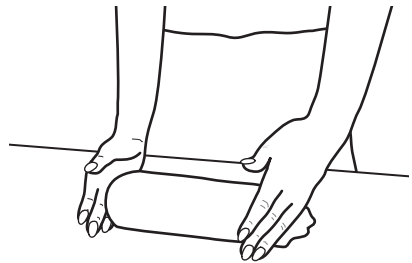
- Comience con una receta fácil, tal como la receta "Pan blanco básico", hasta que se haya familiarizado con el uso del gancho para masa en espiral Power Knead™.
- Siempre use el gancho para masa en espiral PowerKnead™ para mezclar y amasar las masas con levadura.
- Use la velocidad 2 para mezclar o amasar mezclas con levadura. Usar cualquier otra velocidad crea un alto potencial de falla de la batidora.
- No use recetas que requieran más de 16 tazas de harina multiuso o 10 tazas de harina integral cuando haga masa con una batidora de 7 cuartos.
- Use un termómetro de cocina para dulces u otro tipo de termómetro de cocina para asegurar que los líquidos estén a la temperatura especificada en la receta. Los líquidos a una temperatura más alta pueden matar la levadura, mientras que los líquidos a una temperatura más baja enlentecerán el crecimiento de la levadura.
- Permita que todos los ingredientes se pongan a temperatura ambiente para asegurar que la masa leude apropiadamente. Si la levadura se va disolver en un tazón, siempre caliente el tazón previamente, enjuagándolo con agua tibia para evitar enfriar los líquidos.
- Permita que el pan se levante en un lugar tibio, entre 80 °F y 85 °F (27 °C a 29 °C), a menos que se indique lo contrario en la receta.
- A continuación se presentan algunos métodos alternativos para leudar la masa: (1) El tazón que contiene la masa puede colocarse en una rejilla sobre una olla con agua caliente. (2) El tazón puede colocarse en la parrilla superior de un horno sin calentar, con una olla con agua caliente en la rejilla que se encuentra debajo. (3) Encienda el horno a 400 °F (204 °C) por 1 minuto; apague el horno, coloque el tazón en la parrilla central del horno y cierre la puerta. Cubra el tazón con papel encerado si lo desea. Siempre cubra el tazón con una toalla para retener el calor dentro de éste y para proteger la masa de las corrientes de aire.
- Los tiempos de leudado indicados en la receta pueden variar debido a la temperatura y la humedad en su cocina. La masa se ha duplicado de tamaño cuando presiona sus dedos rápida y ligeramente en la masa y la hendidura permanece en ésta.
- La mayoría de las recetas de pan proveen un rango de variación para la cantidad de harina a usar. Usted sabrá que se ha agregado suficiente harina cuando la masa comienza a limpiar los lados del tazón. Si la masa está pegajosa o hay mucha humedad, agregue más harina lentamente, aproximadamente 1/2 taza a la vez, pero sin exceder la capacidad de harina recomendada. Amase después de cada adición de harina hasta que ésta se haya incorporado a la masa por completo. Si se agrega demasiada harina, esto resultará en una barra de pan seca.
- Cuando haya terminado, los panes y bollos con levadura deberán estar bien dorados. Otras pruebas para el término de cocción de los panes son: El pan se separa de los lados del molde y al dar toques ligeros en la parte superior de la barra produce un sonido hueco. Coloque las barras y los bollos sobre parrillas inmediatamente después de hornear para evitar que se empanen.

## Cómo dar forma a la barra

---



1. Divida la masa a la mitad. Sobre una superficie ligeramente enharinada, gire la masa sobre la superficie y déle forma rectangular, de aproximadamente 23 x 36 cm (9 x 14"). Un rodillo suavizará la masa y eliminará las burbujas de aire.



3. Pellizque los bordes y déles vuelta hacia abajo. Coloque la masa con el lado de la juntura hacia abajo en un molde para barra de pan. Siga las instrucciones en la receta para leudar y hornear.



2. Comenzando por el lado corto, gire la masa ligeramente. Pellizque la masa para sellar la juntura.

## Pan blanco básico

---

- 1/2 *taza (120 mL) de leche descremada*
- 3 *cucharadas (45 mL) de azúcar*
- 2 *cucharaditas (10 mL) de sal*
- 3 *cucharadas (45 mL) de mantequilla o margarina*
- 2 *paquetes de levadura seca*
- 1-1/2 *tazas (355 mL) de agua tibia (105°F a 115°F [40°C a 46°C])*
- 5-6 *tazas (1,2 a 1,5 L) de harina multiusos*

Coloque la leche, el azúcar, la sal y la mantequilla en una cacerola pequeña. Caliente a fuego lento hasta que la mantequilla se derrita y el azúcar se disuelva. Enfríe hasta templar.

Disuelva la levadura en agua tibia en el tazón de la batidora previamente calentado. Añada la mezcla de leche templada y 4-1/2 tazas (1 L) de harina. Conecte el tazón y el gancho para masa a la batidora. Ponga la batidora en velocidad 2 y mezcle durante aproximadamente 1 minuto.

Continúe en velocidad 2, añada la harina restante, 1/2 taza (120 mL) a la vez y mezcle durante aproximadamente 1-1/2 minutos o hasta que la masa comience a limpiar los laterales del tazón. Amase en velocidad 2 durante aproximadamente 2 minutos más o hasta que la masa esté uniforme y elástica. La masa estará apenas pegajosa al tacto.

Coloque la masa en un tazón engrasado moviéndola para engrasar la parte de arriba. Tape el tazón. Deje levar en un lugar cálido, sin corrientes de aire, aproximadamente 1 hora o hasta que se duplique en volumen.

Pique la masa y divida por la mitad. Forme panes alargados con cada mitad, según se indica en la página 80, y colóquelos en moldes para pan engrasados de 8-1/2 x 4-1/2 x 2-1/2 pulgadas (21,25 x 11,25 x 6,25 cm). Tape los moldes. Deje levar en un lugar cálido, sin corrientes de aire, aproximadamente 1 hora o hasta que se duplique en volumen.

Hornee a 400°F (200°C) durante 30 minutos, o hasta que se doren. Retire de los moldes para horno inmediatamente y enfríe en rejillas de alambre.

Rinde: 32 porciones (16 rodajas por pan).

Por porción: Aproximadamente 95 calorías, 3 g de proteínas, 18 g de carbohidratos, 1 g de grasa, 0 mg de colesterol, 148 mg de sodio.

### VARIACIÓN

#### Pan extra para el congelador

Aumente las cantidades de los ingredientes en un 50 por ciento y prepare en el tazón de la batidora de 6 cuartos (5,7L). En el segundo párrafo, cambie 4-1/2 tazas (1 L) de harina por 7 tazas (1,735 L). Divida la masa en 3 partes.

Rinde: 48 porciones (16 rebanadas por pan).

## Pan integral de grano entero

---

- 1/3 *taza más 1 cucharada (95 mL) de azúcar morena*
- 2 *tazas (475 mL) de agua tibia (105°F a 115°F [40°C a 46°C])*
- 2 *paquetes de levadura seca*
- 5-6 *tazas (1,2 a 1,5 L) de harina integral*
- 3/4 *taza (175 mL) de leche en polvo*
- 2 *cucharaditas (10 mL) de sal*
- 1/3 *taza (80 mL) de aceite*

Disuelva 1 cucharada (15 mL) de azúcar morena en agua tibia en un recipiente pequeño. Añada la levadura y deje reposar la mezcla.

Coloque 4 tazas (945 mL) de harina, leche en polvo, 1/3 taza (80 mL) de azúcar morena y sal en el tazón de la batidora. Conecte el tazón y el gancho para masa a la batidora. Ponga la batidora en velocidad 2 y bata durante aproximadamente 15 segundos. Siga en velocidad 2, añada gradualmente la mezcla de levadura y aceite a la mezcla de harina y bata aproximadamente 1-1/3 minutos más. Detenga la batidora y quite la mezcla de las orillas del tazón, si es necesario.

Continúe en velocidad 2, añada la harina restante, 1/2 taza (120 mL) por vez y mezcle por aproximadamente 2 minutos o hasta que la masa comience a limpiar los laterales del tazón. Amase en velocidad 2 aproximadamente 2 minutos más.

**NOTA:** La masa puede no formar una bola en el gancho. Sin embargo, a medida que el gancho se pone en contacto con la masa, se irá logrando la consistencia de la masa. No añada más que la cantidad máxima de harina especificada, de lo contrario, se formará un pan seco.

Coloque la masa en un tazón engrasado moviéndola para engrasar la parte de arriba. Tape. Deje levar en un lugar cálido, sin corrientes de aire, aproximadamente 1 hora o hasta que se duplique en volumen.

Pique la masa y divida por la mitad. Dé forma de pan a cada mitad tal como se indica en la página 80. Coloque en un molde para hornear engrasado de 8-1/2 x 4-1/2 x 2-1/2" (21,25 x 11,25 x 6,25 cm). Tape. Deje levar en un lugar cálido, sin corrientes de aire, aproximadamente 1 hora o hasta que se duplique en volumen.

Hornee a 400°F (200°C) durante 15 minutos. Disminuya la temperatura del horno a 350°F (180°C) y hornee 20 a 30 minutos más. Retire de los moldes inmediatamente y enfríe en rejillas de alambre.

Rinde: 32 porciones (16 rodajas por pan).

Por porción: Aproximadamente 112 calorías, 4 g de proteínas, 19 g de carbohidratos, 3 g de grasa, 2 mg de colesterol, 146 mg de sodio.

## Pan francés

---

- 2 *paquetes de levadura seca*
- 2-1/2 *tazas (590 mL) de agua tibia (105°F a 115°F [40°C a 46°C])*
- 1 *cucharada (15 mL) de sal*
- 1 *cucharada (15 mL) de mantequilla o margarina derretida*
- 7 *tazas (1.75 mL) de harina multiusos*
- 2 *cucharadas (30 mL) de harina de maíz*
- 1 *clara de huevo*
- 1 *cucharada (15 mL) de agua fría*

Disuelva la levadura en agua tibia en el tazón de la batidora previamente calentado. Añada sal, mantequilla y harina. Coloque el tazón y el gancho para masa en la batidora. Encienda en velocidad 2 y bata aproximadamente 1 minuto, hasta mezclar bien. Amase en velocidad 2 aproximadamente 2 minutos más. La masa estará pegajosa.

Coloque la masa en un tazón engrasado moviéndola para engrasar la parte de arriba. Tape el tazón. Deje levar en un lugar cálido, sin corrientes de aire, aproximadamente 1 hora o hasta que se duplique en volumen.

Pique la masa y divida por la mitad. Enrolle cada mitad en rectángulos de 12 x 15 pulgadas (30 x 37,5 cm). Enrolle la masa firmemente desde el lado más largo, terminando los extremos en punta, si se desea. Coloque los panes en charolas para hornear engrasadas que hayan sido espolvoreadas con harina de maíz. Cubra la lámina. Deje levar en un lugar cálido, sin corrientes de aire, aproximadamente 1 hora o hasta que se duplique en volumen.

Con un cuchillo filoso, haga 4 cortes diagonales en la parte superior de cada pan. Hornee a 450°F (230°C) durante 25 minutos. Retire del horno. Bata la clara y el agua juntas con un tenedor. Aplique la mezcla de huevo a cada pan con un pincel. Vuelva a llevar al horno y hornee 5 ó 10 minutos más. Retire de las charolas para hornear inmediatamente y enfríe en rejillas de alambre.

Rinde: 30 porciones (15 rebanadas por pan).

Por porción: Aproximadamente 114 calorías, 3 g de proteínas, 23 g de carbohidratos, 1 g de grasa, 0 mg de colesterol, 221 mg de sodio.

## Pan de avena y miel

1-1/2 tazas (355 mL)  
de agua

1/2 taza (120 mL)  
de miel

1/3 taza (80 ml)  
de mantequilla  
o margarina

5-1/2 - 6-1/2 tazas  
(1,32 a 1,62 L) de  
harina multiusos

1 taza (235 mL) de  
avena instantánea

2 cucharaditas (  
10 mL) de sal

2 paquetes de  
levadura para  
hornear seca

2 huevos

1 clara de huevo

1 cucharada (15 mL)  
de agua

Avena

Coloque el agua, la miel y la mantequilla en una cacerola pequeña. Caliente a fuego lento hasta que la mezcla esté muy caliente (120°F a 130°F [49°C a 54°C]).

Primero coloque la avena, luego 5 tazas (1,2 L) de harina, la sal y la levadura en el tazón de la batidora. Conecte el tazón y el gancho para masa a la batidora. Ponga la batidora en velocidad 2 y bata durante aproximadamente 15 segundos. Continúe en velocidad 2, añada gradualmente mezcla tibia a la mezcla de harina y bata aproximadamente 1 minuto. Añada los huevos y bata aproximadamente 1 minuto más.

Continúe en velocidad 2, añada la harina restante, 1/2 taza (120 mL) a la vez y mezcle aproximadamente 2 minutos o hasta que la masa comience a limpiar los laterales del tazón. Amase en velocidad 2 aproximadamente 2 minutos más.

Coloque la masa en un tazón engrasado moviéndola para engrasar la parte de arriba. Tape el tazón. Deje levar en un lugar cálido, sin corrientes de aire, aproximadamente 1 hora o hasta que se duplique en volumen.

Pique la masa y divida por la mitad. Dé forma de pan a cada mitad tal como se indica en la página 80. Coloque en moldes para hornear engrasados de 8-1/2 x 4-1/2 x 2-1/2" (21,25 x 11,25 x 6,25 cm). Tape los moldes. Deje levar en un lugar cálido, sin corrientes de aire, aproximadamente 1 hora o hasta que se duplique en volumen.

Bata la clara y el agua con un tenedor para juntarlas. Aplique la mezcla sobre los panes con un pincel. Salpique con avena. Hornee a 375°F (190°C) durante 30 ó 40 minutos. Retire de los moldes inmediatamente y enfríe en rejillas de alambre.

Rinde: 32 porciones (16 rebanadas por pan).

Por porción: Aproximadamente 134 calorías, 4 g de proteínas, 24 g de carbohidratos, 3 g de grasa, 13 mg de colesterol, 162 mg de sodio.



# Masa crocante para pizza

---

- 1 *paquete de levadura seca*      Disuelva la levadura en agua tibia en el tazón de la batidora previamente calentado. Añada la sal, el aceite de oliva y 2-1/2 tazas (590 mL) de harina. Conecte el tazón y el gancho para masa a la batidora. Ponga la batidora en velocidad 2 y bata durante aproximadamente 1 minuto.
- 1 *taza (235 mL) de agua tibia (105°F a 115°F [40°C a 46°C])*
- 1/2 *cucharadita (2 mL) de sal*      Continúe en velocidad 2, añada la harina restante, 1/2 taza (120 mL) por vez y mezcle aproximadamente 1 1/2 minutos o hasta que la masa comience a limpiar los laterales del tazón. Amase en velocidad 2 aproximadamente 2 minutos más.
- 2 *cucharaditas (10 mL) de aceite de oliva*
- 2-1/2 -3-1/2 *tazas (590-830 mL) de harina multiusos*      Coloque la masa en un tazón engrasado moviéndola para engrasar la parte de arriba. Tape el tazón. Deje levar en un lugar cálido, sin corrientes de aire, aproximadamente 1 hora o hasta que se duplique en volumen. Aplaste la masa.
- 1 *cucharada (15 mL) de harina de maíz*

Aplique aceite en un molde para pizza de 14 pulgadas (35 cm) con un pincel. Salpique un poco de harina de maíz. Presione la masa hacia el fondo del molde formando un aro alrededor del borde para sostener los ingredientes en la parte superior. Añada ingredientes en la parte superior si lo desea. Hornee a 450°F (230°C) durante 15 ó 20 minutos.

Rinde: 4 porciones (1/4 pizza por porción).

Por porción: Aproximadamente 373 calorías, 11 g de proteínas, 74 g de carbohidratos, 3 g de grasa, 0 mg de colesterol, 271 mg de sodio.

## VARIACIÓN

### Pizza para muchas personas

Duplique los ingredientes y mezcle en el tazón de la batidora de 7 cuartos (6,6 L).

Rinde: 8 porciones (1/4 pizza por porción).

## Masa Dulce básica

---

- 3/4 taza (175 mL) de leche descremada*  
*1/2 taza (120 mL) azúcar*  
*1-1/4 cucharaditas (6 mL) de sal*  
*1/2 taza (120 mL) de mantequilla o margarina*  
*2 paquetes de levadura para hornear seca*  
*1/3 taza (80 mL) de agua tibia (105°F a 115°F [40°C a 46°C])*  
*3 huevos, temperatura ambiente*  
*5-1/2 - 6-1/2 tazas (1,32 a 1,62 mL) de harina multiusos*
- Coloque la leche, el azúcar, la sal y la mantequilla en una cacerola pequeña. Caliente a fuego lento hasta que la mantequilla se derrita y el azúcar se disuelva. Enfríe hasta templar.
- Disuelva la levadura en agua tibia en el tazón de la batidora previamente calentado. Añada mezcla de leche templada, los huevos y 5 tazas (1,2 L) de harina. Coloque el tazón y el gancho para masa en espiral PowerKnead™ en la batidora. Ponga la batidora en velocidad 2 y bata durante aproximadamente 2 minutos.
- Continúe en velocidad 2, añada la harina restante, 1/2 taza (120 mL) a la vez y mezcle aproximadamente 1-1/2 minutos o hasta que la masa comience a limpiar los laterales del tazón. Amase en velocidad 2 aproximadamente 2 minutos más.
- Coloque la masa en un tazón engrasado moviéndola para engrasar la parte de arriba. Tape el tazón. Deje levar en un lugar cálido, sin corrientes de aire, aproximadamente 1 hora o hasta que se duplique en volumen.
- Aplaste la masa y dé la forma deseada de bollos o roles de café.

### VARIACIÓN

#### Masa dulce básica para muchas personas

Duplique todos los ingredientes y mezcle en el tazón de la batidora de 7 cuartos (6,6 L). En el primer párrafo, cambie la cacerola pequeña por una cacerola mediana. En el segundo párrafo, cambie 5 tazas (1,2 L) de harina por 10 tazas (2,4 L) de harina.

## Roscas de canela

- 1 *taza (235 mL) de piloncillo*  
1 *taza (235 mL) de azúcar*  
1/2 *taza (120 g) de mantequilla o margarina ablandada*  
1/4 *tazas (60 mL) de harina multiusos*  
1-1/2 *cucharas (22 mL) de canela*  
1/2 *taza (120 mL) de nueces o nueces de Castilla picadas*  
1 *receta de masa dulce básica (vea la página 86)*
- Coloque el piloncillo, el azúcar, la mantequilla, la harina, la canela y las nueces en el tazón de la batidora. Coloque el tazón y el batidor plano. Ponga la batidora en velocidad 2 y bata durante aproximadamente 1 minuto.
- Pase la masa a una superficie levemente enharinada. Forme con la masa rectángulos de 10 x 24" (25 x 60 cm). Unte la mezcla de azúcar y canela uniformemente sobre la masa. Enrolle firmemente la masa desde el lado más largo para formar rollos de 24" (60 cm), uniendo las juntas entre sí. Corte en 24 rebanadas de 1" (2.5 cm) cada una.
- Coloque los 12 roles en dos charolas para hornear engrasadas de 13 x 9 x 2" (32,5 x 22,5 x 5 cm). Tape las charolas. Deje levar en un lugar cálido, sin corrientes de aire, 45 a 60 minutos o hasta que se duplique en volumen.
- Hornee a 350°F (180°C) durante 20 ó 25 minutos. Desmolde inmediatamente. Vierta con cuchara el glaseado de caramelo sobre las roscas tibias.

### Glaseado de caramelo

- 1/3 *taza (80 mL) de leche en polvo*  
2 *cucharadas (30 mL) de azúcar morena*  
1-1/2 *tazas (355 mL) de azúcar refinada*  
1 *cucharadita (5 mL) de vainilla*
- Coloque la leche evaporada y el azúcar morena en una cacerola pequeña. Cocine a fuego moderado hasta que la mezcla comience a hervir, revuelva constantemente.
- Coloque la mezcla de leche, azúcar refinada y vainilla en el tazón de la batidora. Coloque el tazón y el batidor plano. Encienda en velocidad 4 y bata aproximadamente 2 minutos o hasta que se ponga cremoso.
- Rinde: 24 porciones (1 rol por porción).
- Por porción: Aproximadamente 338 calorías, 6 g de proteínas, 57 g de carbohidratos, 10 g de grasa, 28 mg de colesterol, 219 mg de sodio.

**Aditamentos** – Para obtener más información, llame al 1-855-845-9684

---

## Paquete de aditamentos para distintas funciones

---



### Modelo FPPA

Se han empackado tres aditamentos populares de KitchenAid® en una caja. Ésta incluye una rebanadora/cortadora con rotor (RVSA), un molinillo de alimentos (FGA) y piezas para el colador para frutas/verduras (FVSP).

## Molinillo de alimentos

---



### Modelo FGA

Muele carnes, frutas y vegetales firmes y pan seco.

## Colador de frutas/verduras

---



### Modelo FVSFGA

Facilita y hace más rápida la preparación de mermeladas, purés, salsas y alimentos para bebé. Incluido con el molinillo de alimentos.

## Bandeja para alimentos

---



### Modelo FT

Tiene capacidad para grandes cantidades de alimentos, para hacer jugo, puré y moler con más facilidad. Para usarse con el modelo FGA.

## Embutidor para salchichas

---



### Modelo SSA

Tubos para embutir de 3/8" y 5/8" para hacer salchichas Bratwurst, Kielbasa, italianas o polacas y salchichas para el desayuno. Para usarse con el modelo FGA.

## Rebanadora/cortadora con rotor

---



### Modelo RVSA

Incluye 4 conos: Rebanador delgado y grueso, cortadora fina y gruesa.

## Molino de granos

---



### Modelo KGMA

Muele granos con bajo contenido de humedad y textura muy fina a muy gruesa.

## Juego de rodillo para pasta

---



### Modelo KPRA

Para hacer láminas de pasta para lasaña, tallarines y linguinis finos. El juego de 3 piezas incluye un rodillo, un cortador para tallarines y un cortador para linguinis finos.

## Exprimidor de cítricos

---



### **Modelo JE**

Exprime cítricos rápidamente y a fondo, separa la pulpa.

## Escudo vertedor

---



### **Modelo KN2PS**

(encaja en todos los modelos con tazón ancho que se levanta de 7 cuartos) Minimiza las salpicaduras cuando se agregan los ingredientes.

® Registered trademark/™ Trademark/The shape of the mixer  
is a registered trademark of KitchenAid, U.S.A.

® Marque déposée/™ Marque déposée/La forme du batteur  
est une marque déposée de KitchenAid, États-Unis

® Marca registrada/™ Marca de comercio/la forma de la batidora  
es una marca de comercio de KitchenAid, U.S.A.



W10308004B

©2011

All rights reserved

Tous droits réservés.

Todos los derechos reservados.

FOR THE WAY IT'S MADE.®

6/11

Printed in U.S.A.

Imprimé aux États-Unis

Impreso en EE.UU.